

Per Seat Weight Limitation

100 LBS

Thank You For Choosing Our Furniture

If you have any questions or concerns,
don't hesitate to reach out to us.



NOTE:






This brochure contains
IMPORTANT safety info.
Please read and keep it
for future reference.

MAINTAINANCE AND WARNINGS



Before You Start

Please follow the steps below:

-  Check the packaging for any damage, deformation, or water stains. If there is significant damage, please contact us promptly.
-  Open the packaging and confirm that the panels, hardware, screws, etc are complete.
-  Please read the installation instructions carefully to understand the installation steps and precautions to ensure proper installation.
-  Clean the installation area in advance and ensure the ground is level and there is enough space to avoid damaging the furniture or making installation difficult.
-  Lay a protective mat on the ground to prevent scratching the floor during installation.

After-Sales Service

- If you encounter any issues or need technical support during use, please contact our after-sales team. We offer long-term maintenance and warranty services.



Precautions

- ⚠ This product for indoor use only. Do not expose it to outdoor elements or high-humidity environments.
- ⚠ Keep the sofa away from high heat or open flames to prevent fire hazards.
- ⚠ Do not allow children to climb on the product to prevent personal injury caused by tipping



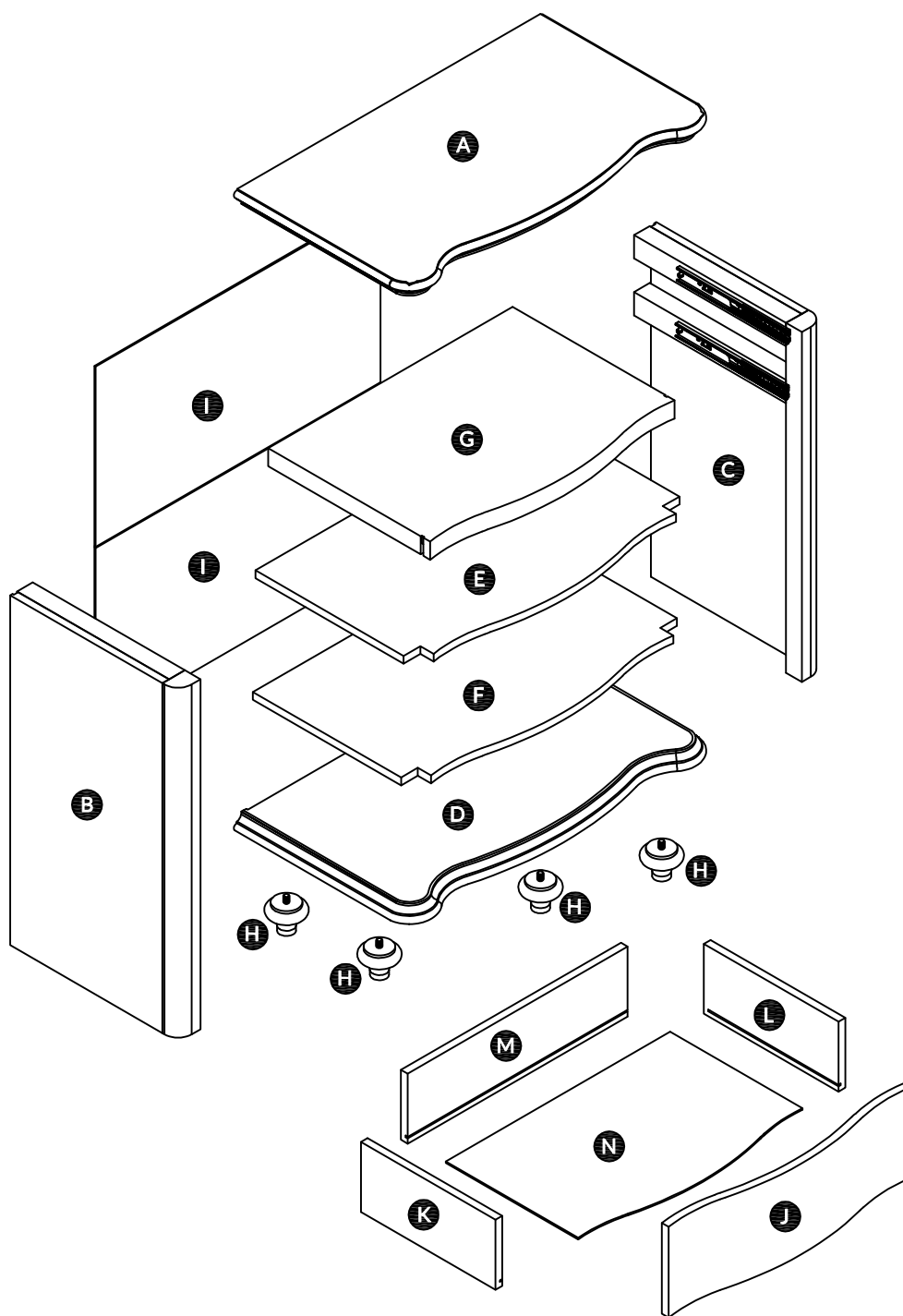
Safety Warnings

- ⚠ If you notice any loose or damaged parts, stop using the product immediately and contact customer service.
- ⚠ Do not attempt to disassemble or replace any components yourself, as this may affect the stability and safety of the product.

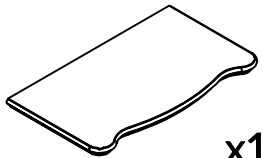
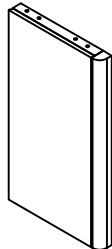
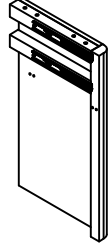
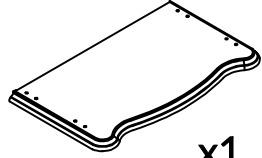
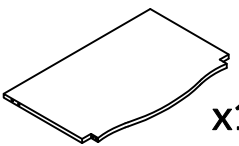
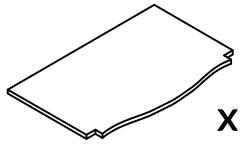
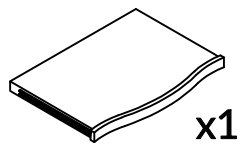

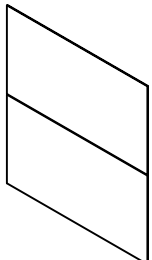
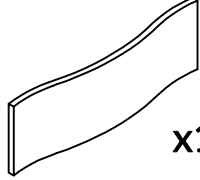
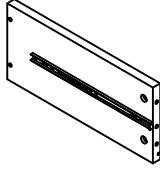
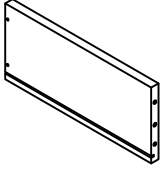
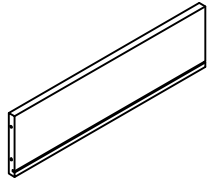
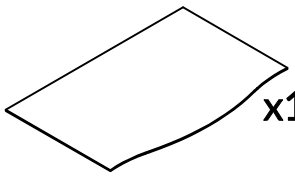
Daily Maintenance

- Regularly clean the surface of the sofa with a soft cloth to prevent dust accumulation.
- Do not use cleaning agents containing acids, alkalis, or corrosive substances, as they may damage the surface. It is recommended to use neutral cleaning agents or specialized furniture cleaners
- Avoid exposing furniture to humid environments for extended periods to prevent swelling or deformation of the boards. Use a dehumidifier or desiccant during humid weather.
- Avoid direct contact of furniture with water. If water is accidentally spilled, wipe it dry immediately.
- Avoid placing excessively heavy objects on the furniture: ensure the weight is within a reasonable load-bearing range.
- Avoid using sharp or rough items on the furniture surface to prevent scratches, Handle items gently when moving them

Explosive view

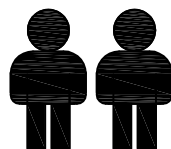


Parts list

A  x1	B  x1	C  x1	D  x1
E  x1	F  x1	G  x1	H  x4
I  x1	J  x1	K  x1	L  x1
M  x1	N  x1		

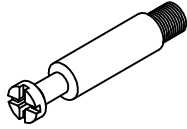

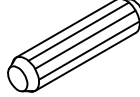
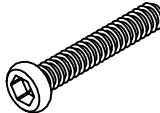
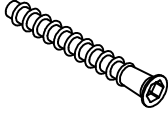
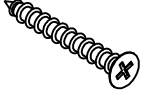




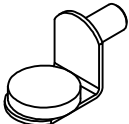
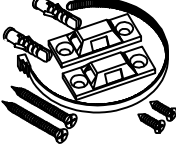
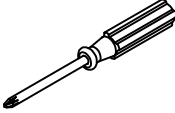
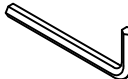
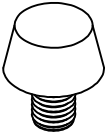


Installation:
30minutes.



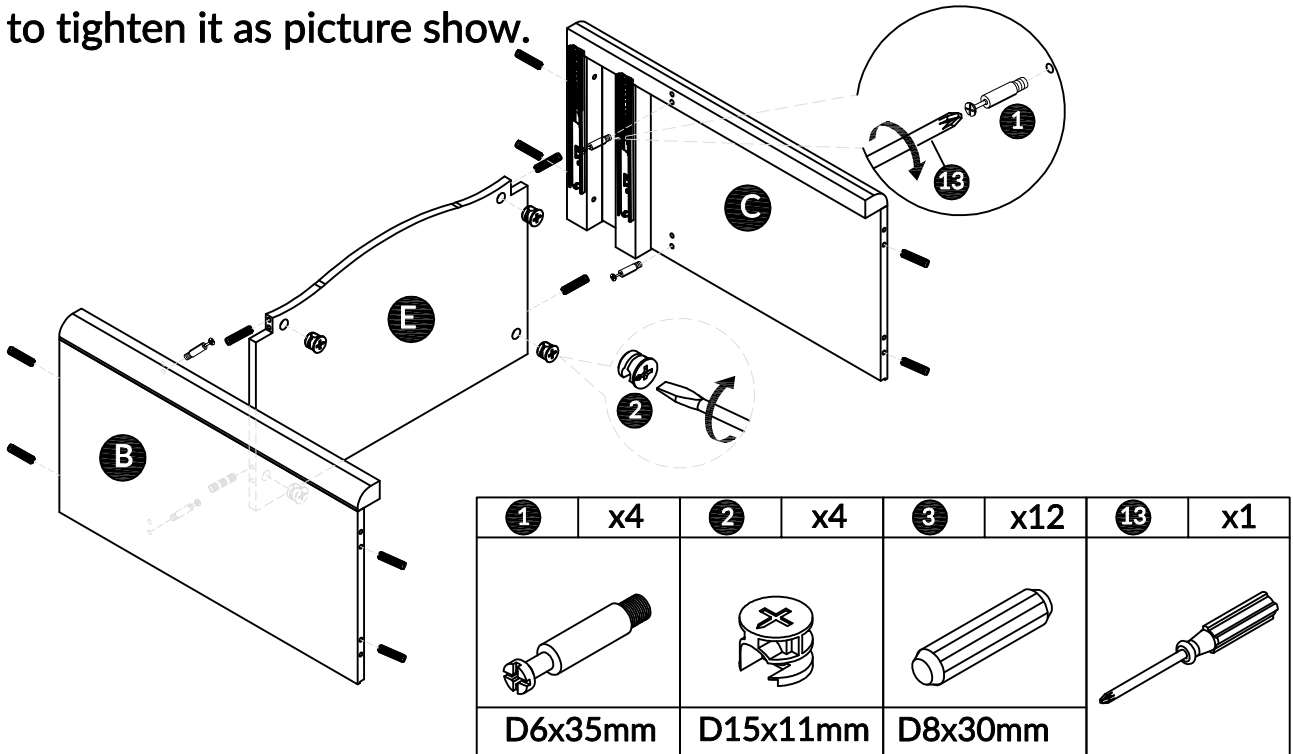
Two Person

Hardware List

1	x9		2	x9		3	x17		4	x4		5	x4	
D6x35mm		D15x11mm		D8x30mm		M6x45mm		M4x50mm						
6	x4		7	x19		8	x1		9	x2		10	x2	
D3x35mm		D3x14mm		M4				M4x20mm						
11	x4		12	x2		13	x1		14	x1		15	x4	
						M3								

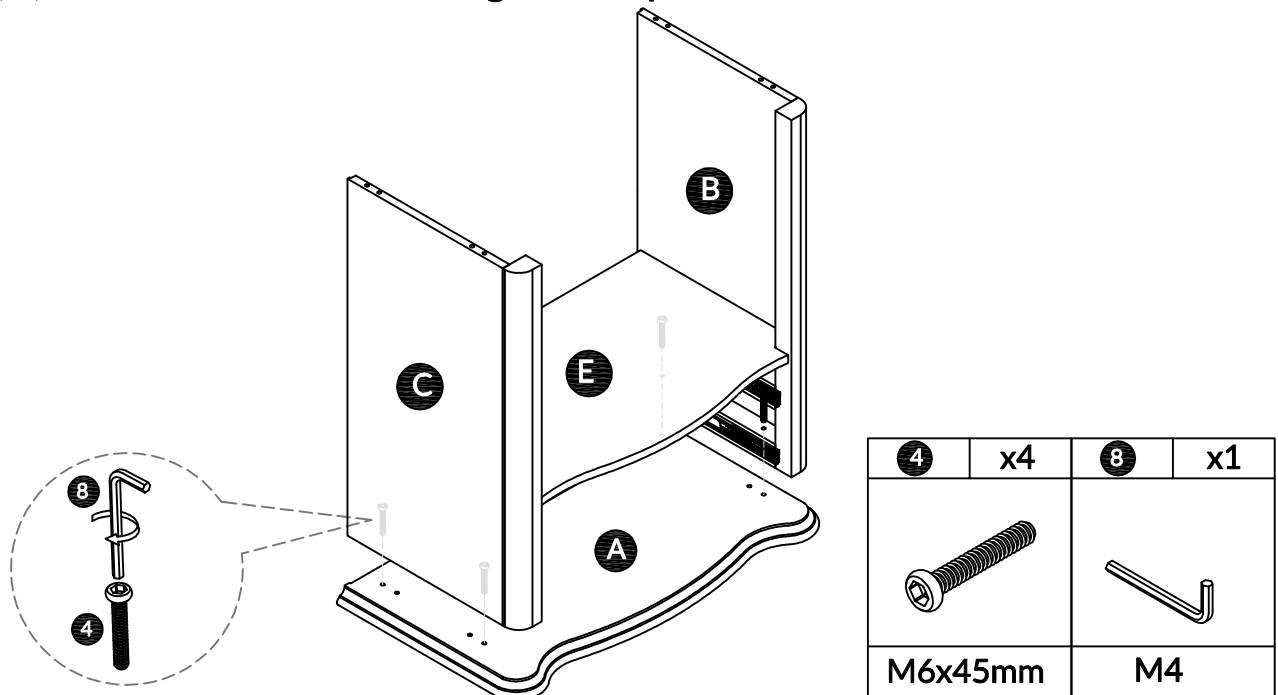
Step 1

Insert side panel (B/C) into the corresponding hole of shelf panel(E), make sure all holes aligned and use combiner (1/2) and 13 to tighten it as picture show.



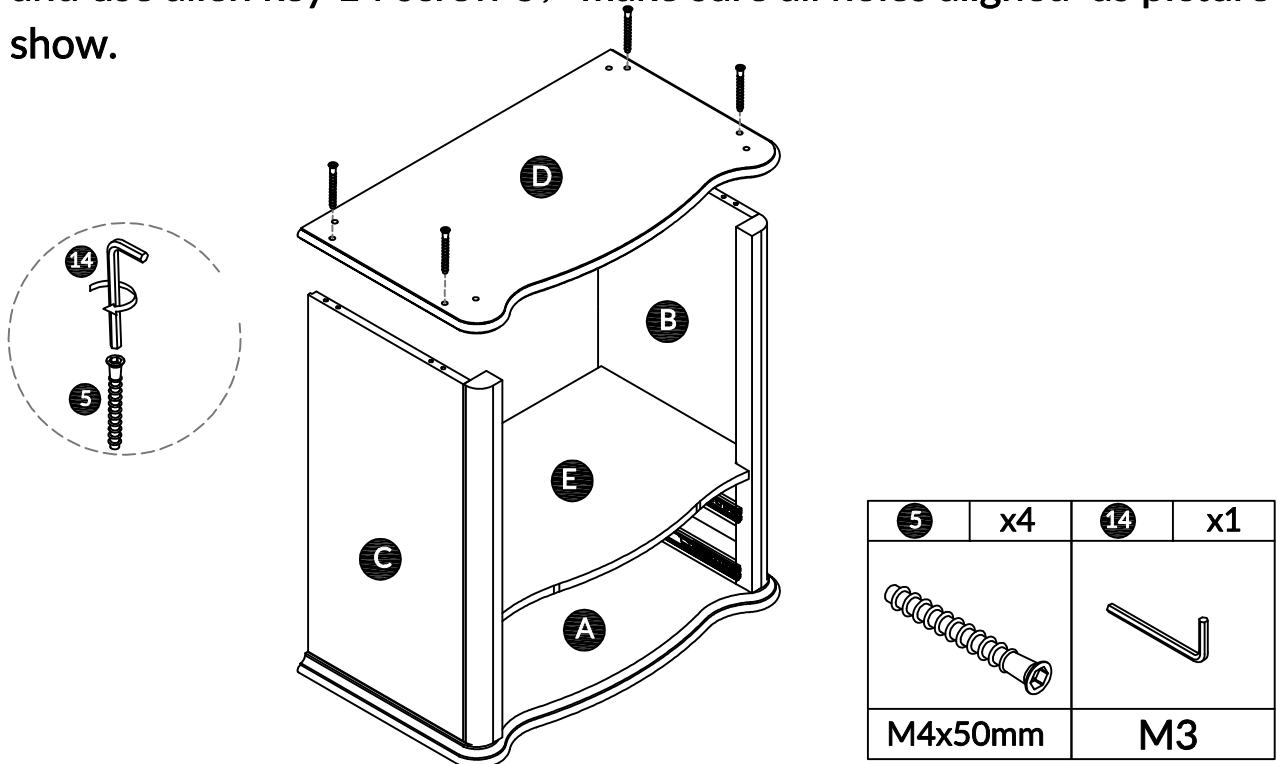
Step 2

Use Allen key 8 and screw 4 into the corresponding hole of top (A), make sure all holes aligned as picture show.



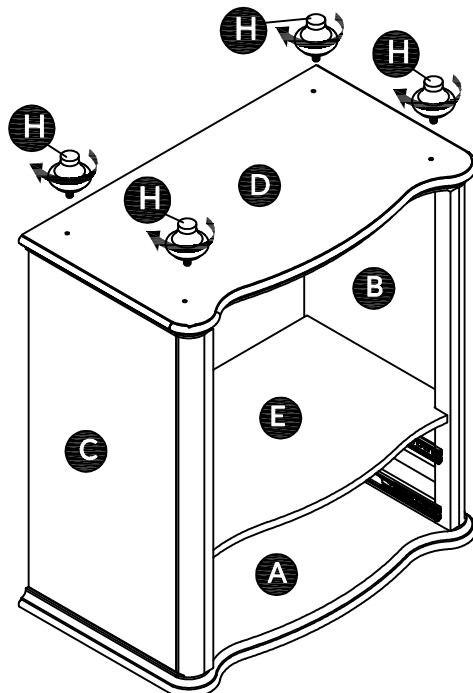
Step 3

Insert bottom panel (D) into the corresponding hole of panel (B/C) and use allen key 14 screw 5, make sure all holes aligned as picture show.



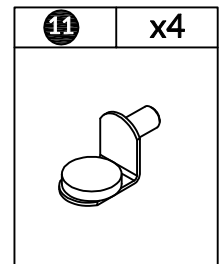
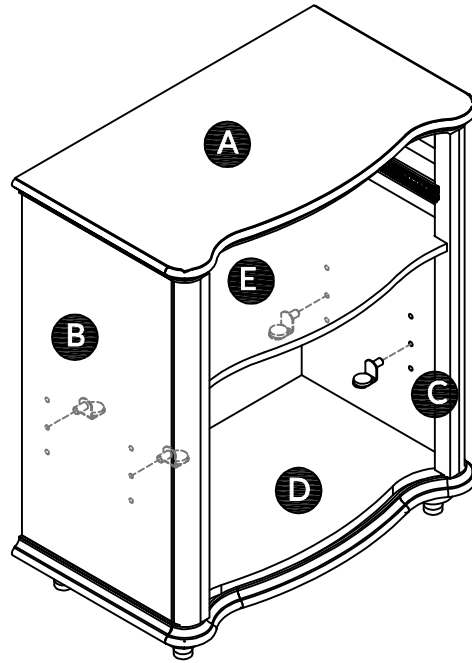
Step 4

Insert leg (H) into the corresponding hole of bottom panel (D), make sure all holes aligned as picture show.



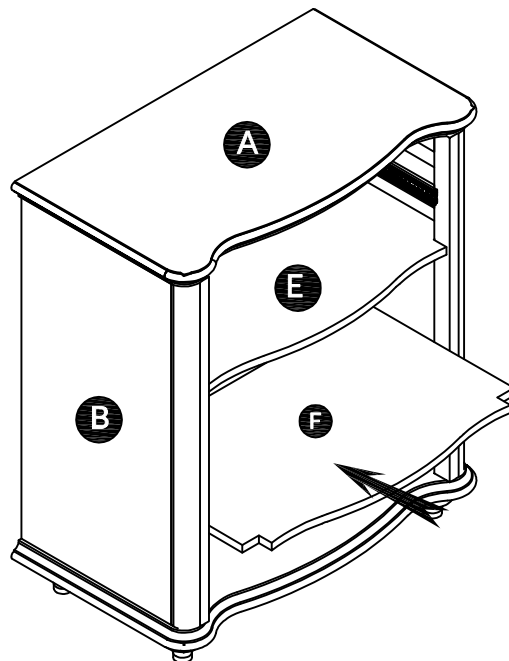
Step 5

Insert shelf holder 11 into the corresponding hole of panel(B/C), make sure shelf holder 11 are level.



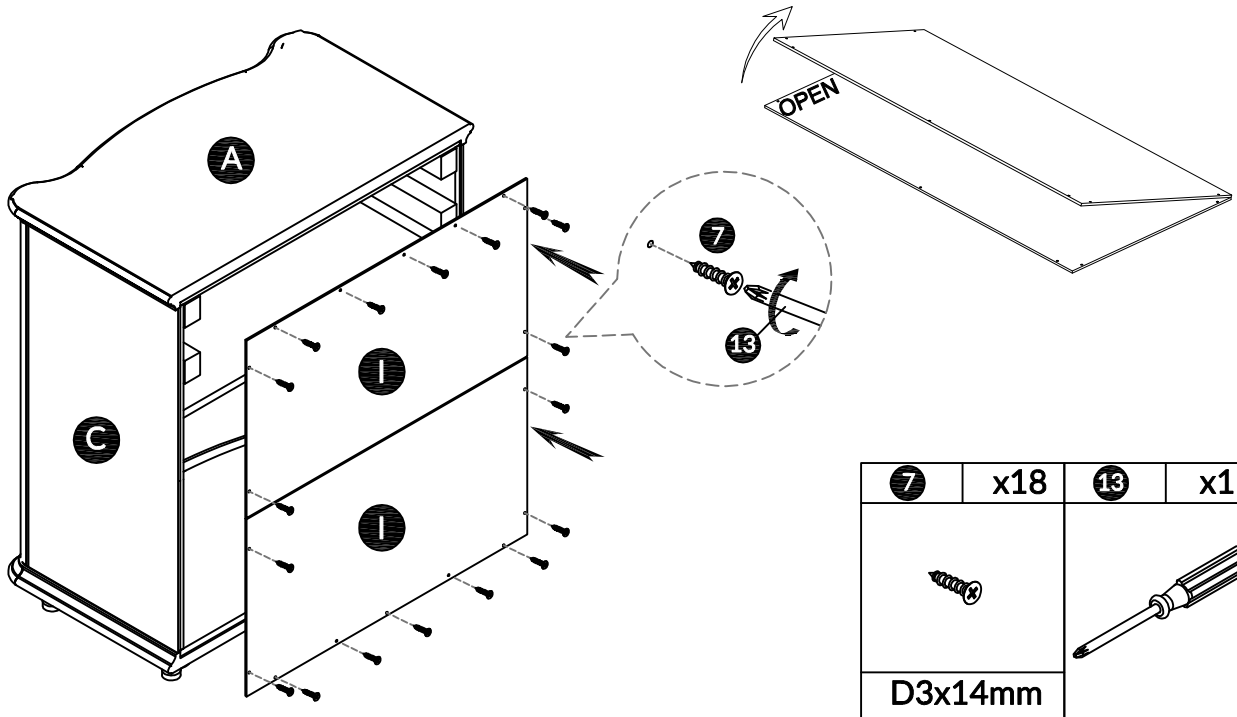
Step 6

Attach panel(F) to it.



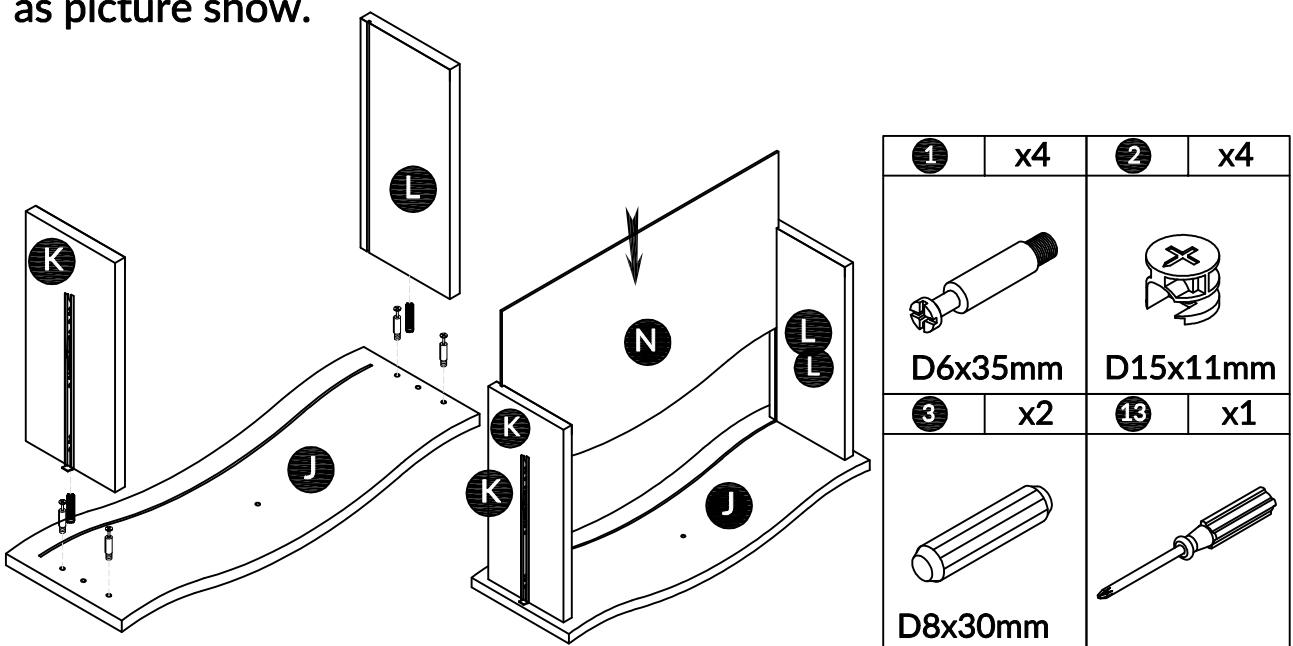
Step 7

Open the back panel(I),make sure all holes aligned and use screw 7 to attach them , tighten screw with screwdriver 13.



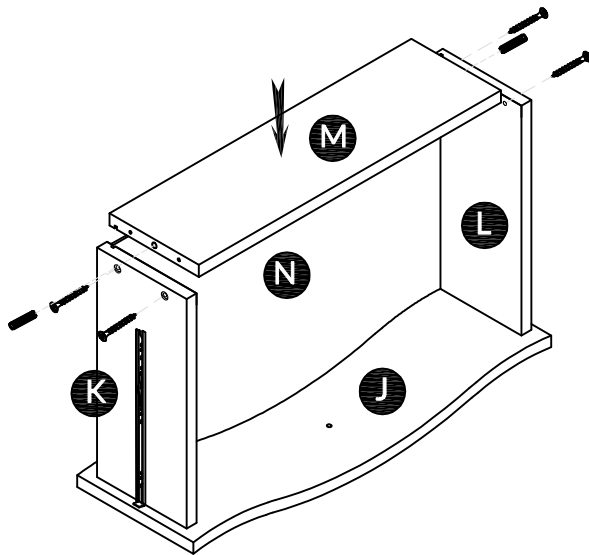
Step 8


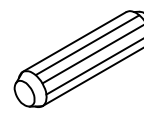
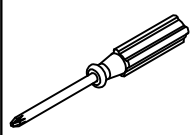
Insert side panel (K/L) into the corresponding hole of panel (J) , make sure all holes aligned and use combiner (1/2) and 3 to tighten it as picture show.



Step 9

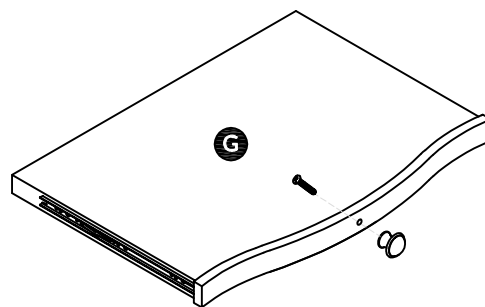
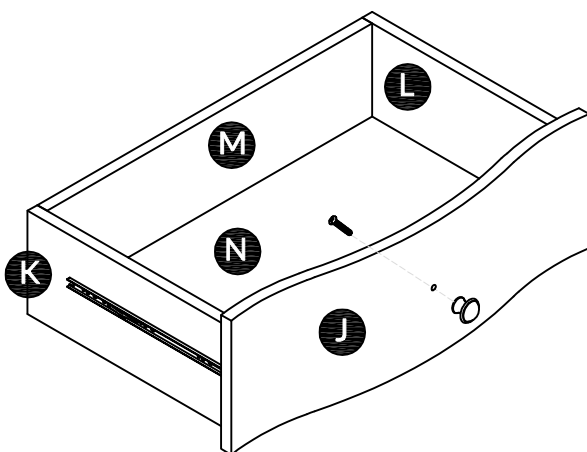
Insert side panel (K/L) into the corresponding hole of panel (J) , make sure all holes aligned and use combiner (1/2) and 3 to tighten it as picture show.



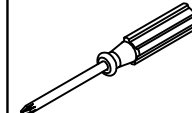


6	x4		
			
		D3x35mm	
3	x2	13	x1
			
D8x30mm			

Step 10

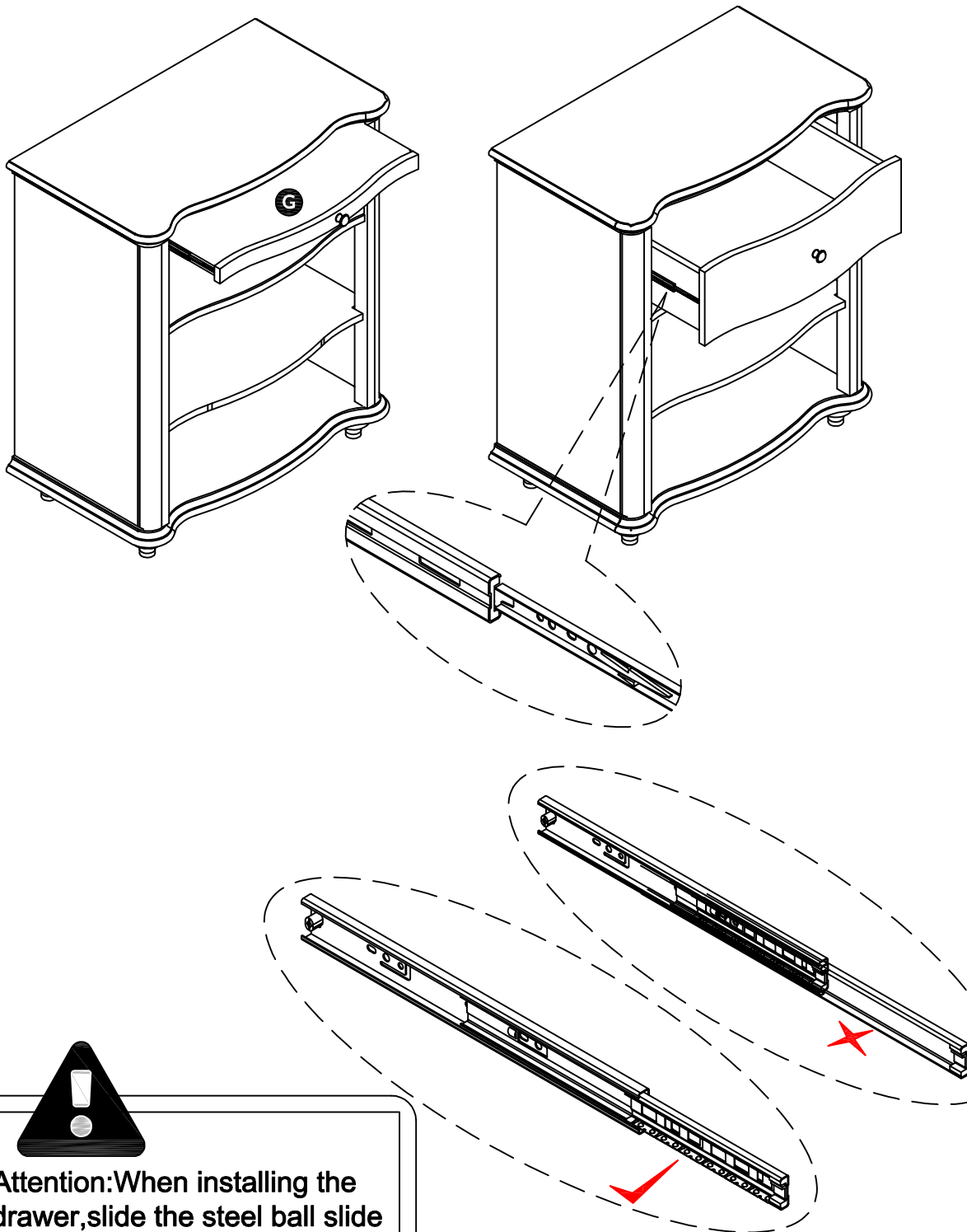
Use (9/10) into the corresponding hole of panel (J/G), make sure all holes aligned as picture show.



9	x2	10	x2	13	x1
					
		M4x20mm			

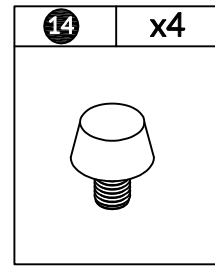
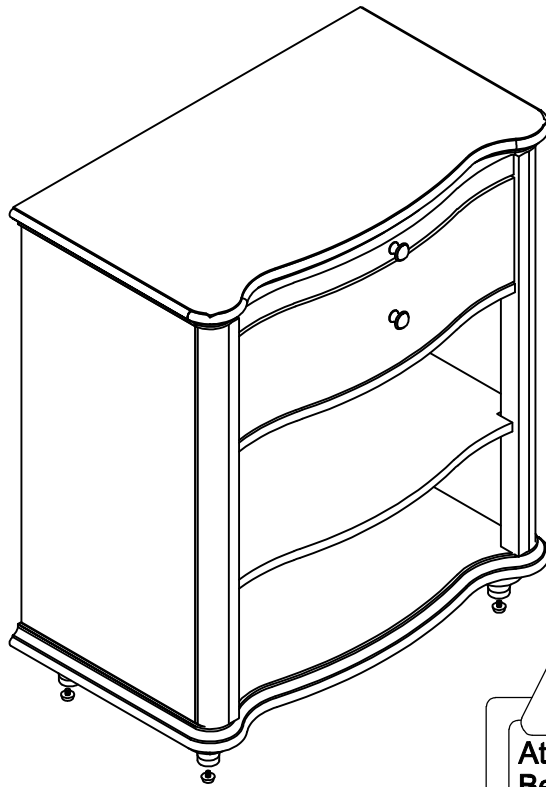
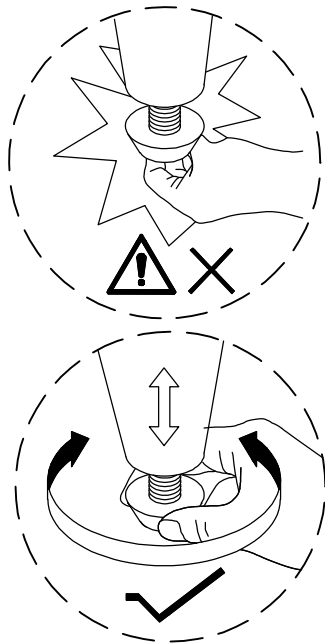
Step 11

Insert shelf G into the panel (B/C)



Attention: When installing the drawer, slide the steel ball slide rail of side panel to the most front as picture show.

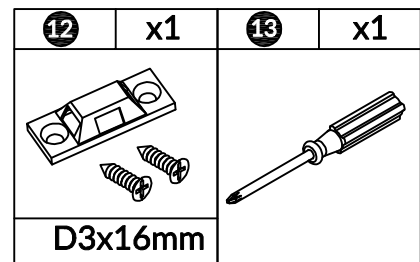
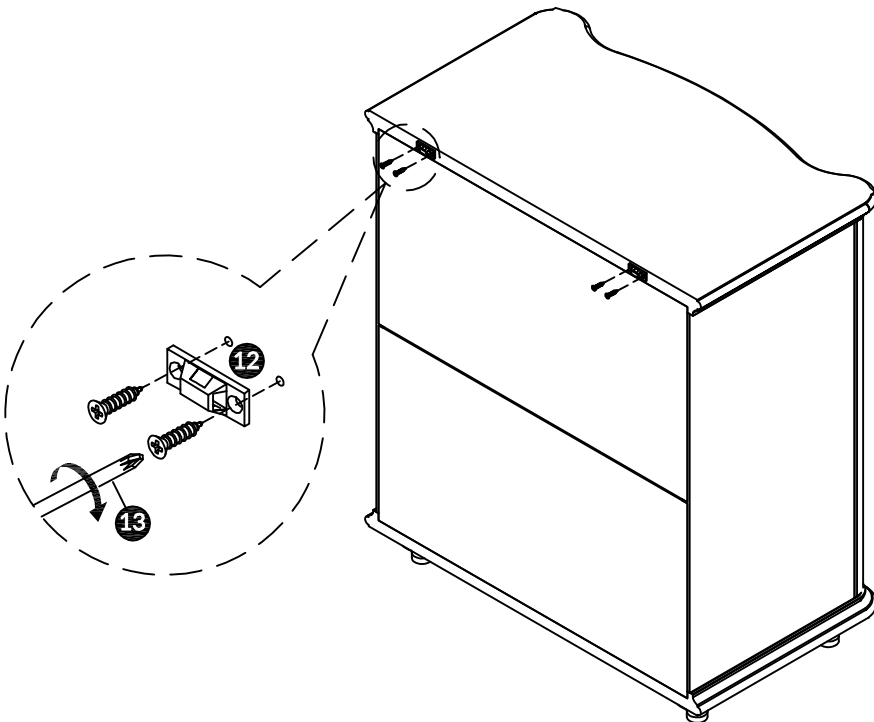
Step 13



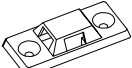
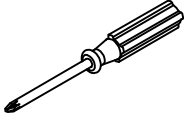

Attention:
Before the next step, adjust the feet of the locker to keep it level.

Step 14

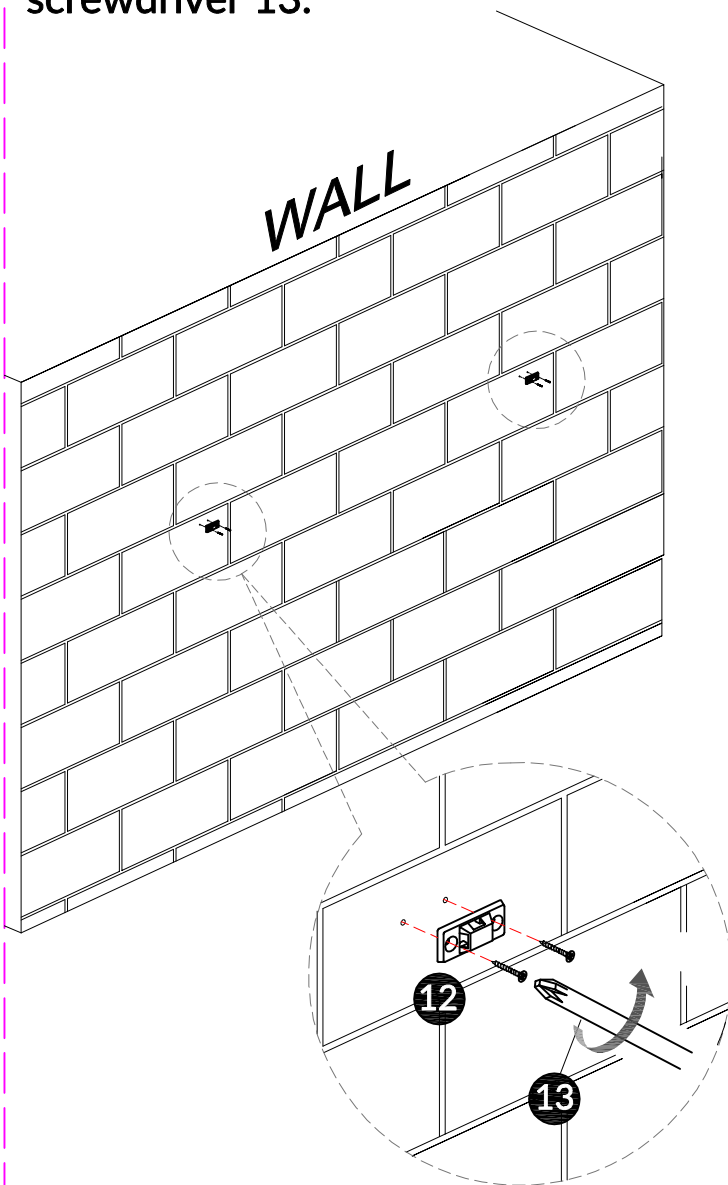
Use screw to attach part 12 to back (A), tight screw with screwdriver 13.



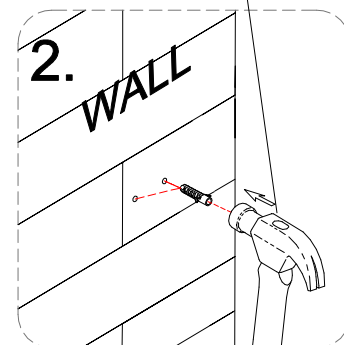
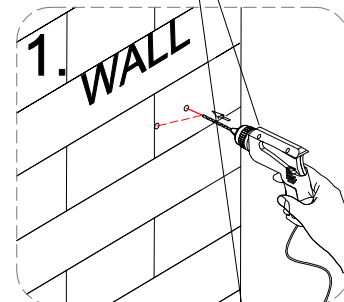
Step 15

12	x2	13	x1
			
			
D3.5x35mm			

1. Install the anti-collapse device.
2. Mark the position on the wall, that corresponds to the location of part 12 on the of panel (A); Drill and insert the expandable screw 4 by hammer.
3. Assemble the part 12 to the wall. Align the hole in the part 12 with the expandable screw , use screw to attach it and tighten by screwdriver 13.

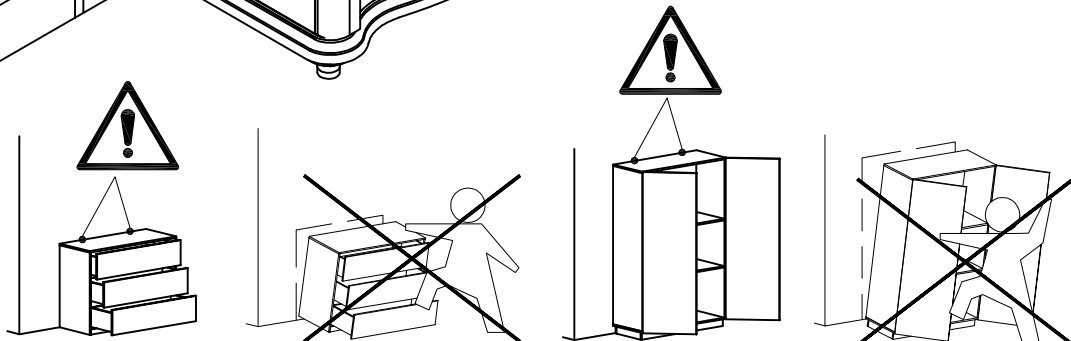
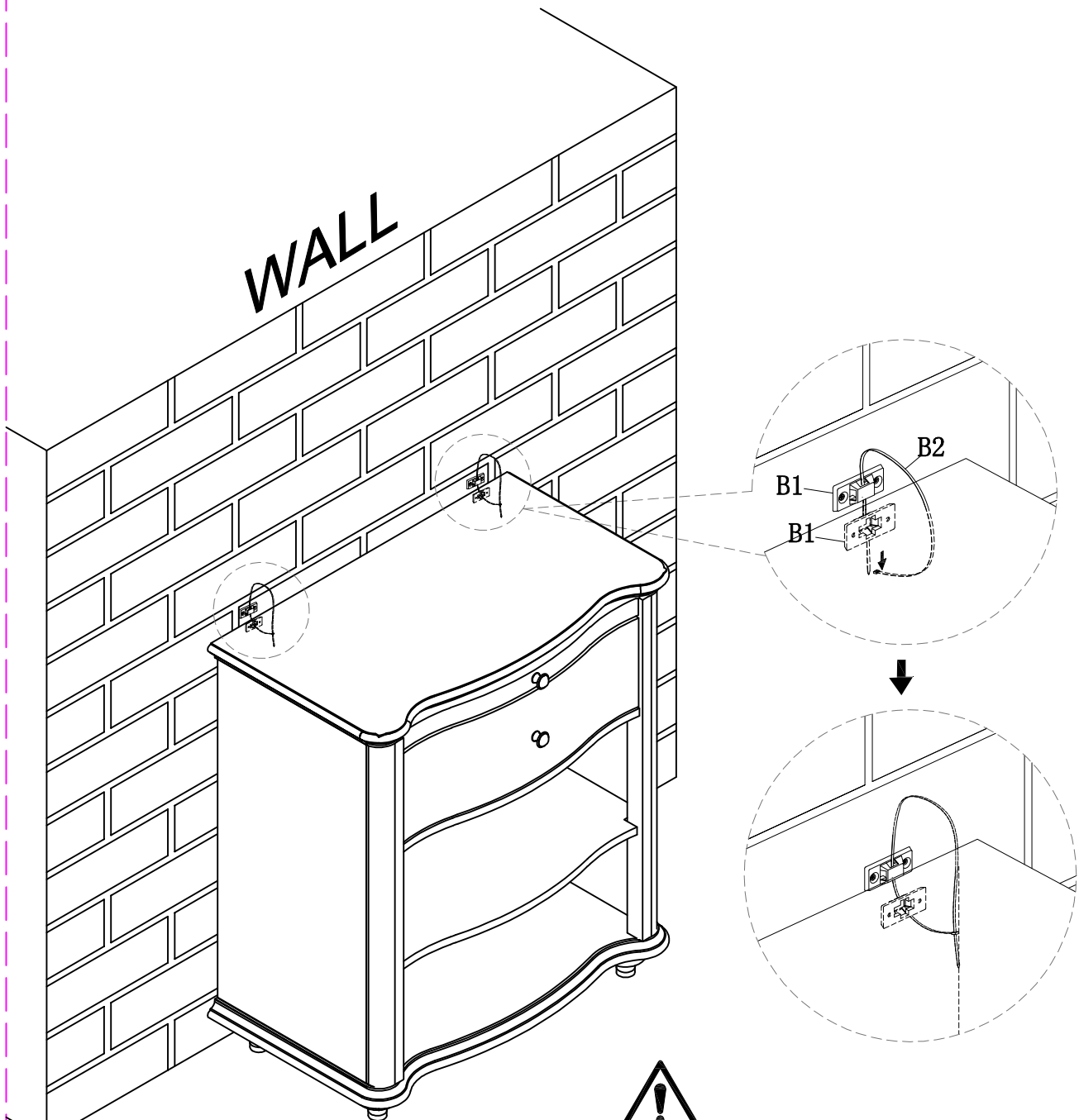


NOT PROVIDED



Step 16

Let the plastic belt 2 pass through the both part 12 and pull tightly.



WARRANTY

- We strive to offer quality products, and we also try our best to satisfy every customer who orders from us with products or services as needed.
- We provide 30 days warranty starting from the time you receive the item. Each customer must provide a record of their orders such as the order number, or item receipt for any items that are out of the warranty period you may also still receive.
- Replacement parts by purchasing them from our company if they are available.
- For return, please check the return policy with the retailer or market place you bought from

Appreciate your purchasing from us.
Pop up your life by our furniture piece!