
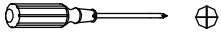



ASSEMBLY INSTRUCTIONS

1 DRAWER CABINET WITH 2 DOORS

ASSEMBLY REQUIREMENTS	1.5 Hours Assembly Time (Approximate)	2 -Person Assembly 	Tools Required (Not Provided): Phillips Screwdriver  Flat Head Screwdriver 
-----------------------	---	---	---

Thank you for purchasing our product!

Please refer and use this assembly instruction to assemble the product.
Contact our customer service department in case there are any missing or damaged parts or hardware.
Replacement parts are normally shipped within 2 or 3 days.

PRODUCTS PURCHASED THROUGH OUR AUTHORIZED VENDORS ONLY ARE ELIGIBLE FOR REPLACEMENT PARTS.

THIS PRODUCT IS FOR INDOOR AND HOUSEHOLD USE ONLY - NOT FOR COMMERCIAL USE.

ASSEMBLY PREPARATION

1. Remove all packaging materials, staples and packing straps from the carton.
2. Refer to Parts List and Hardware List and ensure they are correct before assembly.
Contact customer service for missing parts.
3. Place all wooden parts on a clean, flat and soft surface (e.g. carpet or rug) to prevent parts from getting scratched.

SAFETY PRECAUTION

1. KEEP ALL HARDWARE PARTS OUT OF REACH OF CHILDREN.
2. DISPOSE PLASTIC PACKAGING MATERIAL IMMEDIATELY TO AVOID ANY RISK OF SUFFOCATION TO CHILDREN AND ANIMALS.

TIPS FOR ASSEMBLY

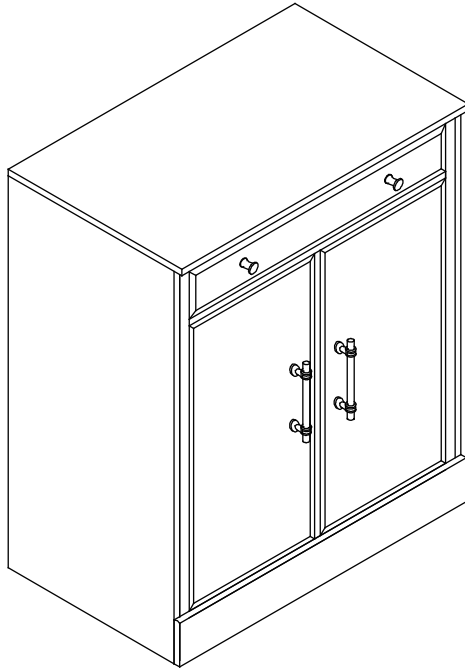
1. Allow ample room for assembly and in close proximity to where product will be placed.
2. Assemble the product on a surface that does not scratch or damage the exterior gloss and finish of the furniture.
3. Identify all of the parts, hardware and quantities required for each step.
4. During assembly, do not over-tighten any fittings as this may cause damage.
5. DO NOT USE POWER TOOLS TO ASSEMBLE THIS PRODUCT.
6. Always place the product on a flat, level surface.
7. Do not sit or stand on the partially assembled product; only use the product for which it is intended.

CARE AND MAINTENANCE




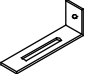

















1. Wipe clean with a soft, dry cloth; avoid the use of harsh chemicals or household cleaners as they may damage the exterior finish of the furniture.
2. Hardware may loosen over time. Periodically, check that all connections are tight; re-tighten as necessary.
3. Solid wood is impacted by heat and humidity fluctuations which may cause small joint separations or hairline cracks; place the furniture away from direct sunlight and air conditioning vents, heating vents or units to protect the furniture.

ASSEMBLY INSTRUCTIONS

1 DRAWER CABINET WITH 2 DOORS



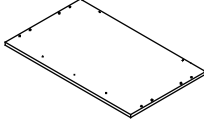

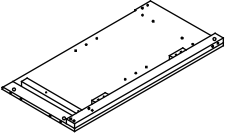

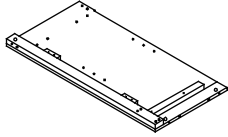

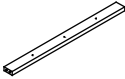
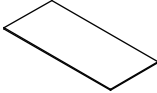
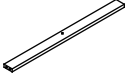
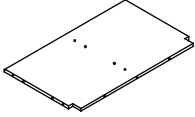
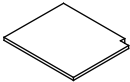
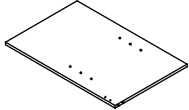
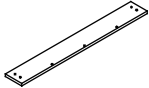
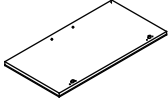
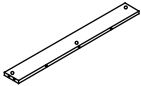
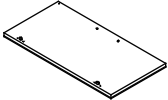
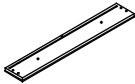
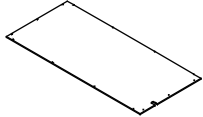

Hardware List

ITEM	DESCRIPTION	PART	QTY	ITEM	DESCRIPTION	PART	QTY
A	Cam-bolt	 6*35mm	23 pcs	L	Screw	 3.5*40mm	2 pcs
B	Cam-lock	 15*10mm	23 pcs	M	Bracket		2 pcs
C	Wood Dowel	 8*30mm	23 pcs	N	Plastic Anchor		2 pcs
D	Screw	 2.5*10mm	23 pcs	O	Screw	 7*40mm	3 pcs
E	Screw	 4*12mm	2 pcs	P	Shelf Pin		8 pcs
F	Screw	 3*12mm	16 pcs	Q	Screw	 4*14mm	24 pcs
G	Screw	 4*30mm	9 pcs	R	Hinge		4 pcs
H	Knob		2 pcs	S	Allen Key		1 pc
I	Handle		2 pcs	T	Magnetic Plate		2 pcs
J	Bolt	 4*18mm	6 pcs	U	Magnetic Catch		2 pcs
K	Drawer Glide	 300mm	2 pcs				

ASSEMBLY INSTRUCTIONS

1 DRAWER CABINET WITH 2 DOORS

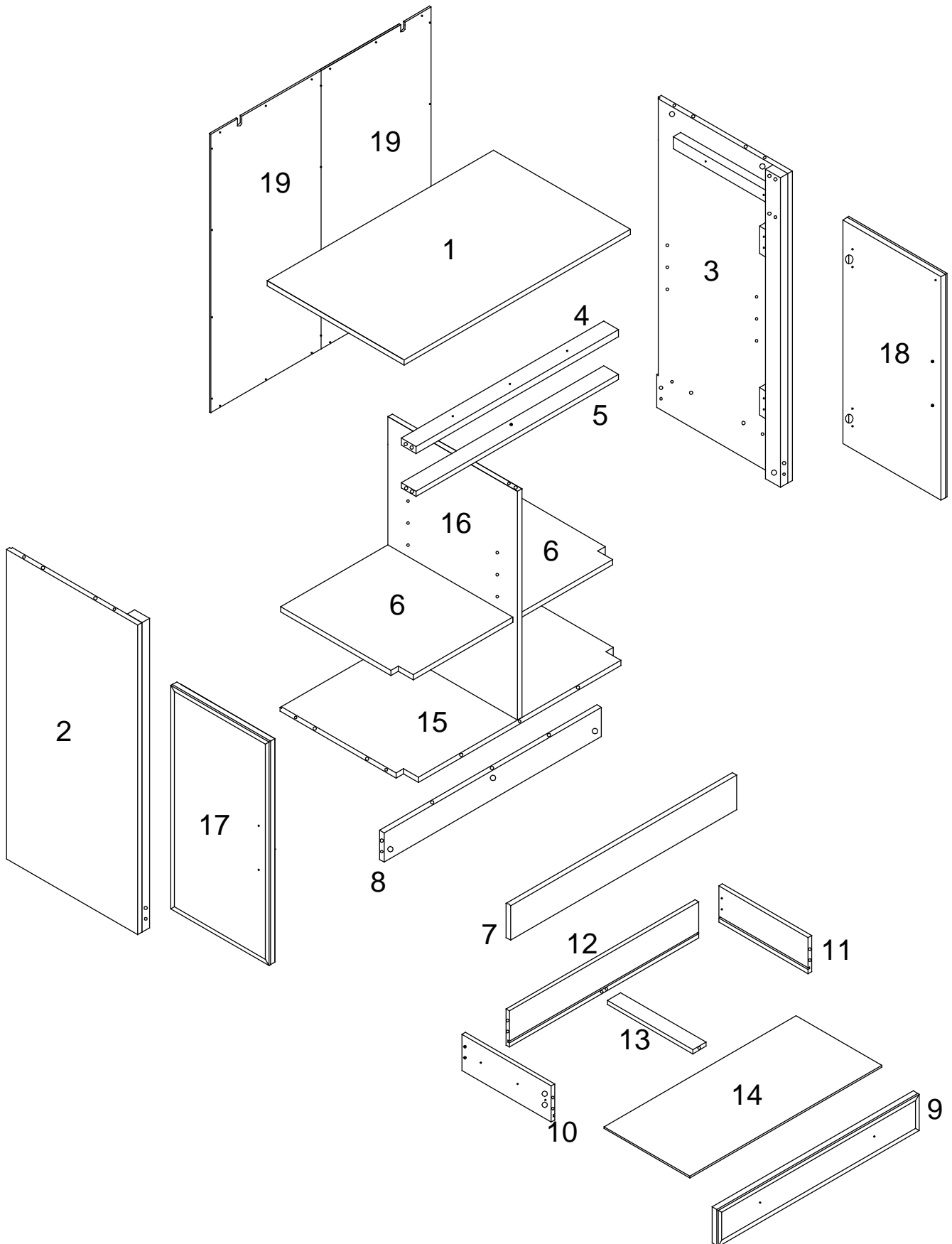
Parts List

ITEM	DESCRIPTION	PART	QTY	ITEM	DESCRIPTION	PART	QTY
1	Top Panel		1 pc	11	Drawer Right Panel		1 pc
2	Left Panel		1 pc	12	Drawer Back Panel		1 pc
3	Right Panel		1 pc	13	Drawer Bottom Connect Bar		1 pc
4	Top Connect Bar		1 pc	14	Drawer Bottom Panel		1 pc
5	Connect Bar		1 pc	15	Bottom Panel		1 pc
6	Adjustable Shelf		2 pcs	16	Divide Panel		1 pc
7	Lower Front Panel		1 pc	17	Left Door		1 pc
8	Lower Back Panel		1 pc	18	Right Door		1 pc
9	Drawer Front Panel		1 pc	19	Back Panel		2 pcs
10	Drawer Left Panel		1 pc				

ASSEMBLY INSTRUCTIONS

1 DRAWER CABINET WITH 2 DOORS

ASSEMBLY OVERVIEW



INSTRUCTIONS FOR CAM-BOLT AND CAM-LOCK

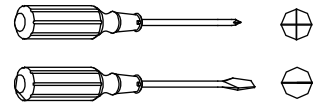


CAM-BOLT

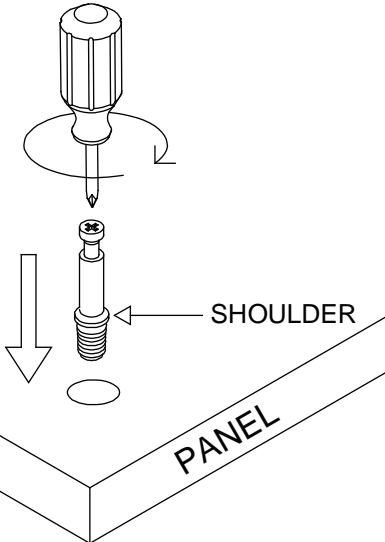


CAM-LOCK

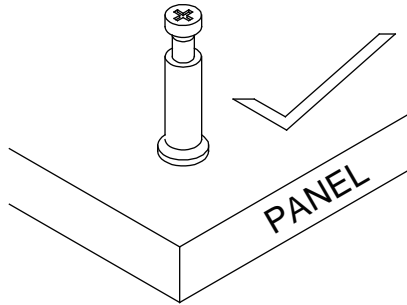
Tools Required



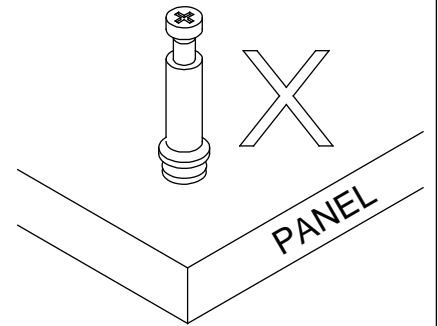
INSERTING AND TIGHTENING CAM-BOLT



Place Cam-bolt on pre-drilled hole and screw in vertically.



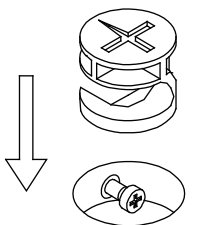
Shoulder is flushed (on the same level) with the panel.



Shoulder is above the panel.

Place Cam-bolt to the designated pre-drilled holes on the panel. Use a Phillips Screwdriver to tighten Cam-bolt vertically until shoulder is flushed (on the same level) with panel. Do not over-tighten or under-tighten.

INSERTING CAM-LOCK



Insert Cam-lock with arrow align to Cam-bolt head.



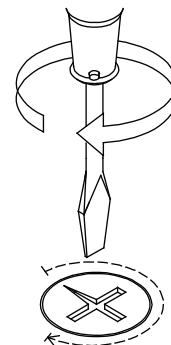
CORRECT



WRONG

Align the arrow on the Cam-lock to the Cam-bolt head and insert the Cam-lock. Ensure Cam-lock is fully inserted.

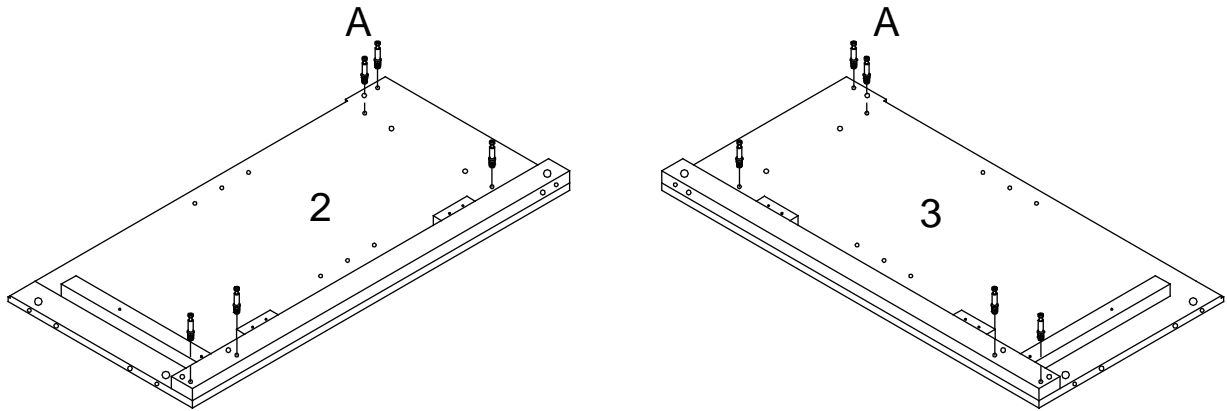
TIGHTENING CAM-LOCK



Use a Flat-head Screwdriver to turn Cam-lock clockwise so it locks onto the head of the Cam-bolt. Turn until it is snug (about 3/4ths of a turn) -- over-tightening could damage Cam-lock or/and Cam-bolt.


STEP 1

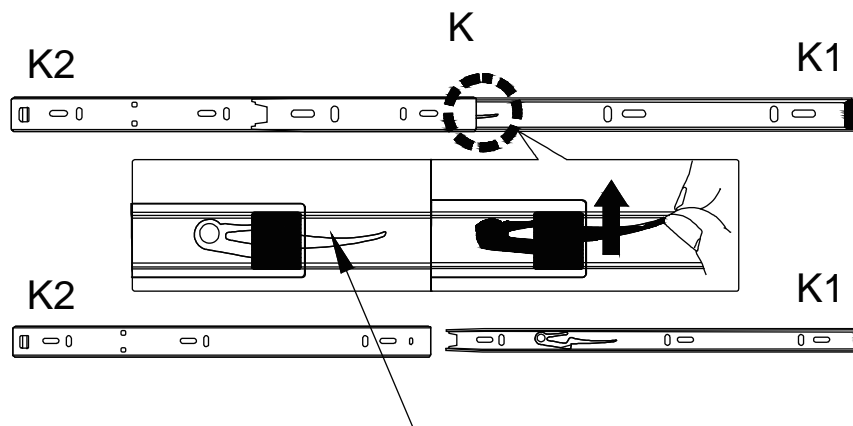
A		10 pcs
---	--	--------



- Lay Left Panel (2) and Right Panel (3) as shown on a material that does not scratch or damage the panels.
- Screw in Cam-bolt (A) into the designated holes on (2 & 3). Refer to Page 5 for instructions on inserting and tightening Cam-bolt.

STEP 2

K		2 pcs
---	---	-------





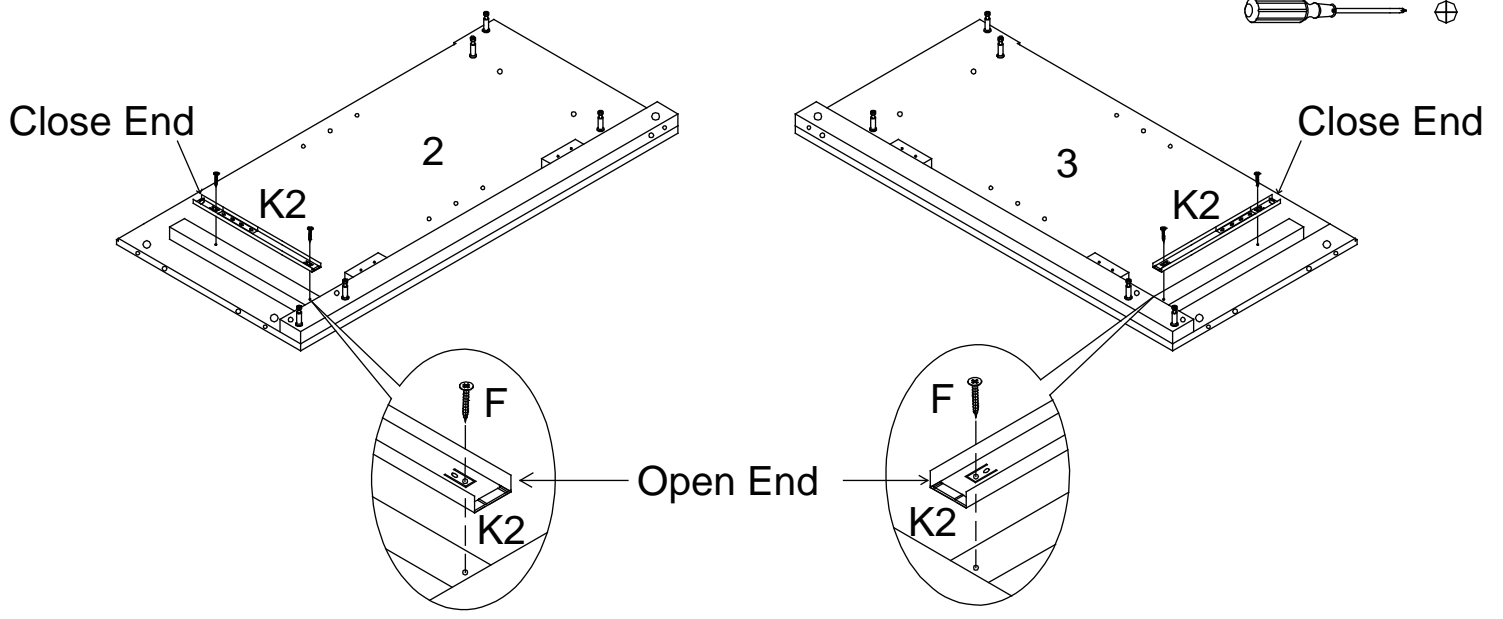
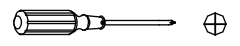
Trigger Disconnect Lever

To install Drawer Glide (K), the Glide Runner (K1) needs to be detached or separated from the Glide Track (K2).

Detach Glide Runner (K1) from Glide Track (K2) by sliding out (K1) from (K2) until the Trigger Disconnect Lever is visible on (K1) as shown above. Next, depress the Trigger Disconnect Lever and at the same time slide out (K1) from (K2).

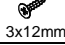

STEP 3

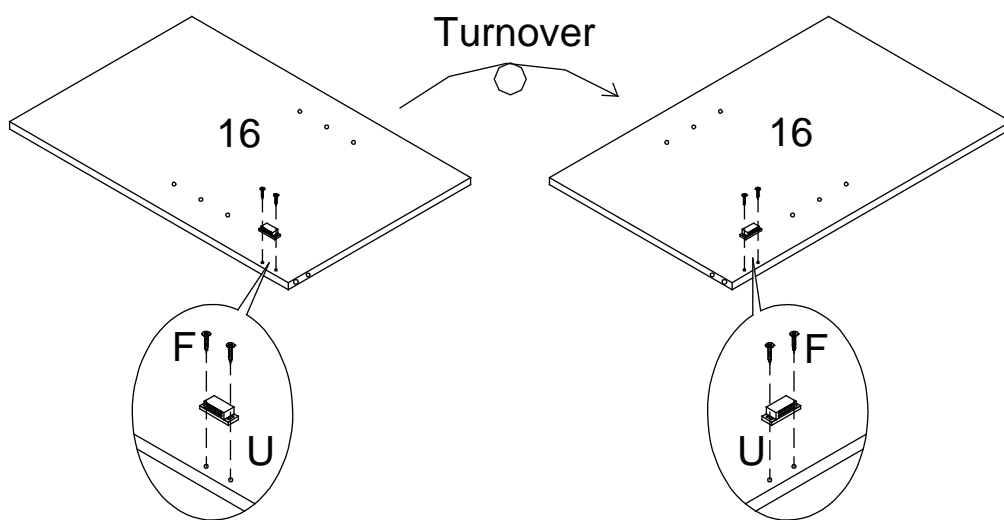
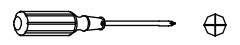
F	 3x12mm	4 pcs
K2		2 pcs



- a) Position Glide Track (K2) as shown, Note the orientation of (K2) with the respect to the open-end of (K2) which faces the front edge of (2 & 3).
- b) Align screw holes on Glide Track (K2) to pilot holes on (2 & 3), and use Screw (F) to fasten (K2). Do not tighten (F) completely until all of the screws are in place.




STEP 4

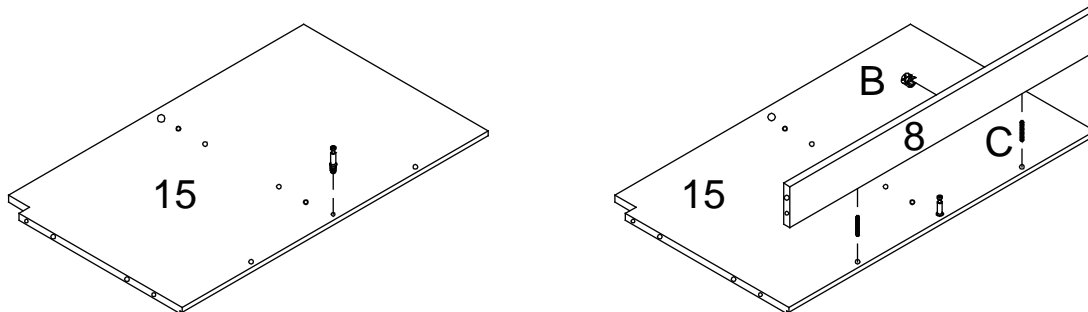
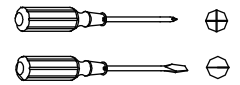
F	 3x12mm	4 pcs
U		2 pcs



- a) Attach Magnetic Catch (U) to Divide Panel (16) by using Screw (F) as shown.
- b) Turnover (16) and attach Magnetic Catch (U) to (16) by using Screw (F) as shown.




STEP 5

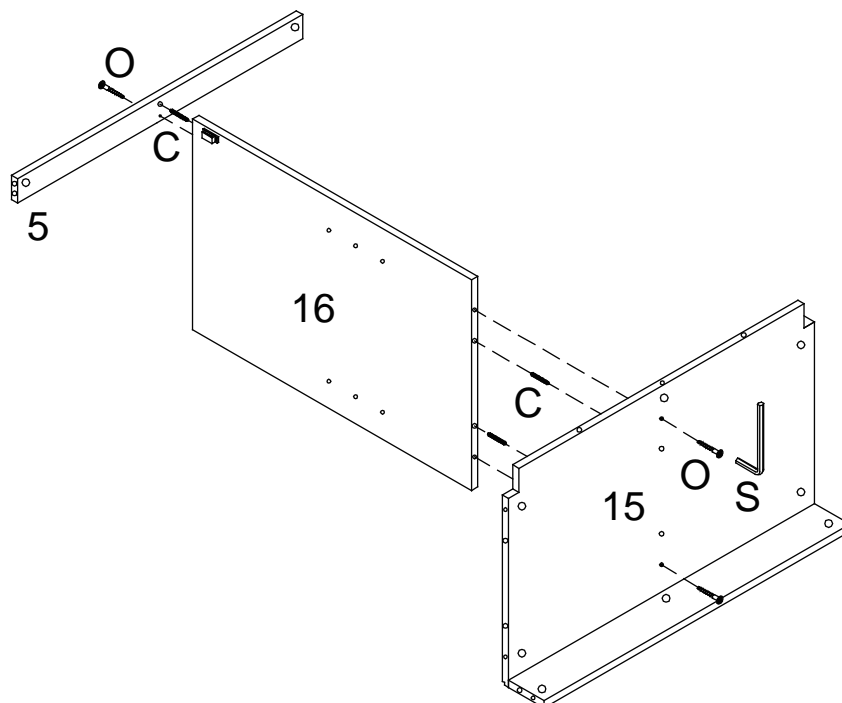
A		1 pc
B		1 pc
C		2 pcs



- Lay Bottom Panel (15) as shown on a material that does not scratch or damage the panel.
- Screw in Cam-bolt (A) into the designated hole on (15).
- Insert Wood Dowel (C) into the outer two holes on (15) as shown.
- Attach Lower Back Panel (8) to (15) via wood dowel and cam-bolt on (15).
- Insert Cam-lock (B) into the middle hole on (8) then turn clockwise to lock onto Cam-bolt.

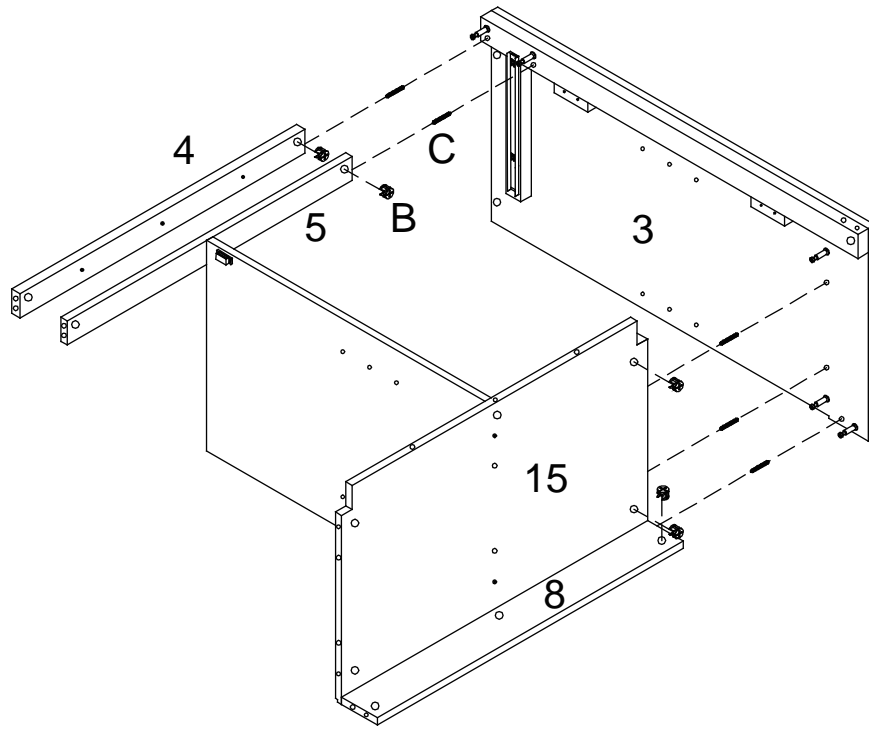
STEP 6



C		3 pcs
O		3 pcs
S		1 pc



- Insert Wood Dowel (C) into the inner two holes on bottom end and outer hole on top end of Divide Panel (16) as shown.
- Attach (16) to Bottom Panel (15) from STEP 5 via wood dowel on (16).
- Use Screw (O) to fasten (16) to (15). Drive and tighten (O) with Allen Key (S).
- Attach Top Connect Bar (5) to (16) via wood dowel on (16).
- Affix (5) to (16) with Screw (O). Drive and tighten (O) with Allen Key (S).

STEP 7

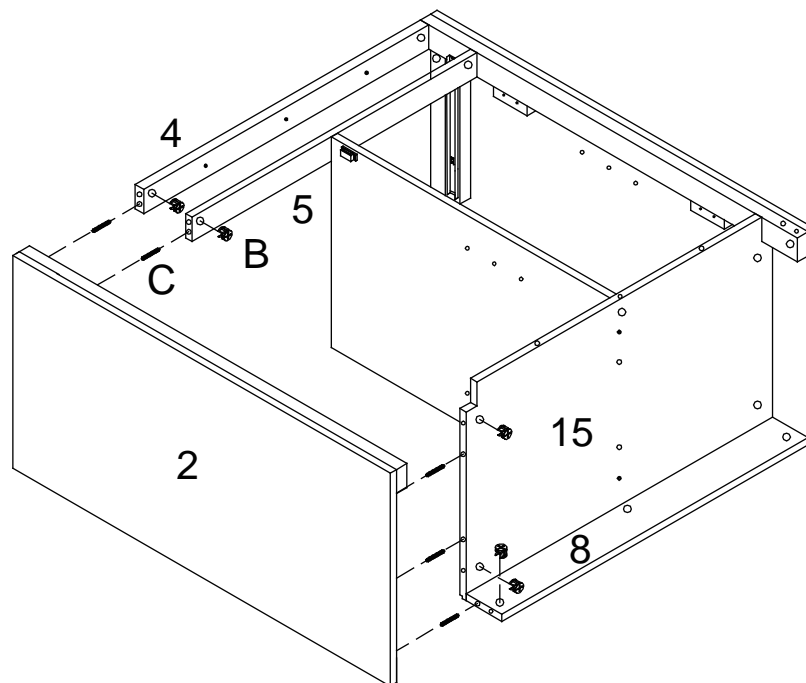




B		5 pcs
C		5 pcs

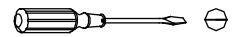


- Insert Wood Dowel (C) into the hole at the end of Connect Bar (4 & 5), Lower Back Panel (8) and Bottom Panel (15) as shown.
- Attach Right Panel (3) from STEP 3 to (4, 5, 8 & 15) via wood dowel and cam-bolt on (3).
- Insert Cam-lock (B) into the designated holes on (4, 5, 8 & 15) then turn clockwise to lock onto Cam-bolt.

STEP 8

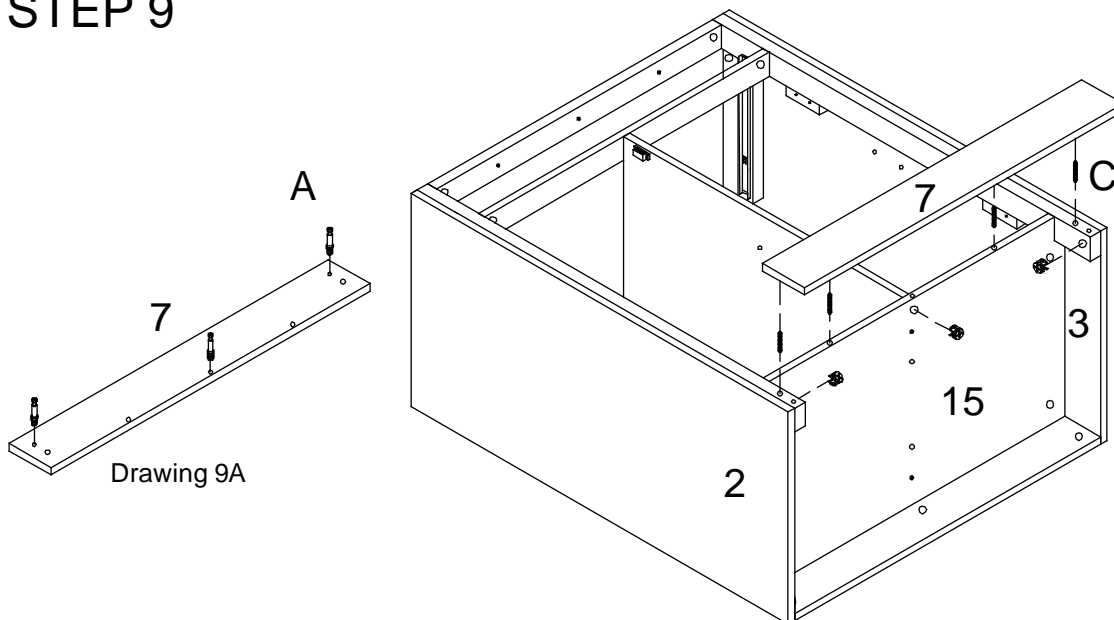


B		5 pcs
C		5 pcs

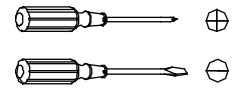


- Insert Wood Dowel (C) into the hole at the open end of Connect Bar (4 & 5), Lower Back Panel (8) and Bottom Panel (15) as shown.
- Attach Left Panel (2) from STEP 3 to (4, 5, 8 & 15) via wood dowel and cam-bolt on (2).
- Insert Cam-lock (B) into the designated holes on (4, 5, 8 & 15) then turn clockwise to lock onto Cam-bolt.

STEP 9

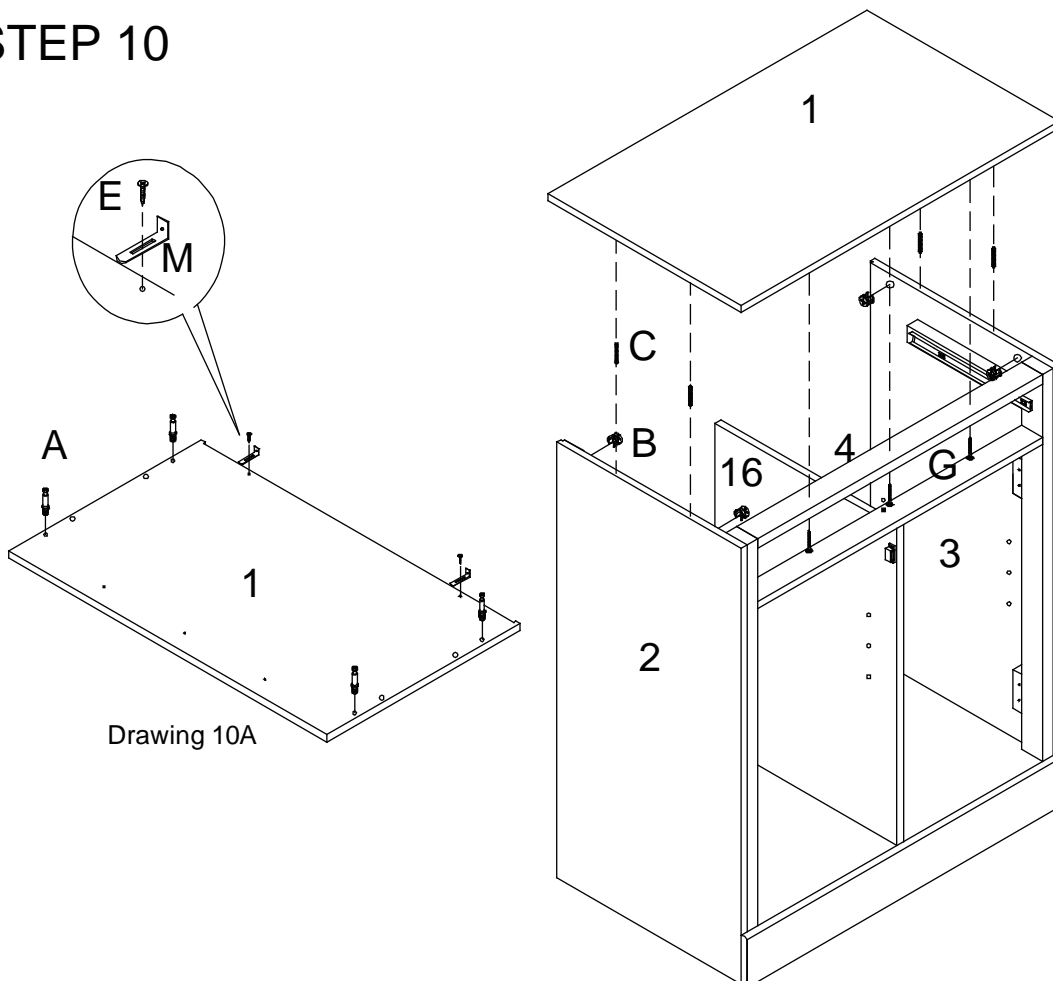


A		3 pcs
B		3 pcs
C		4 pcs

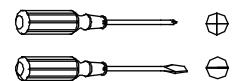


- Refer to Drawing 9A - Lay Lower Front Panel (7) as shown on a material that does not scratch or damage the panel, and screw in Cam-bolt (A) into the designated holes on (7).
- Insert Wood Dowel (C) into hole on Left Panel (2), Right Panel (3) and Bottom Panel (15) as shown.
- Attach (7) to (2, 3 & 15) via wood dowel and cam-bolt on (7).
- Insert Cam-lock (B) into the holes on (2, 3 & 15) then turn clockwise to lock onto Cam-bolt.
- With assistance, set the unit right-side up.

STEP 10




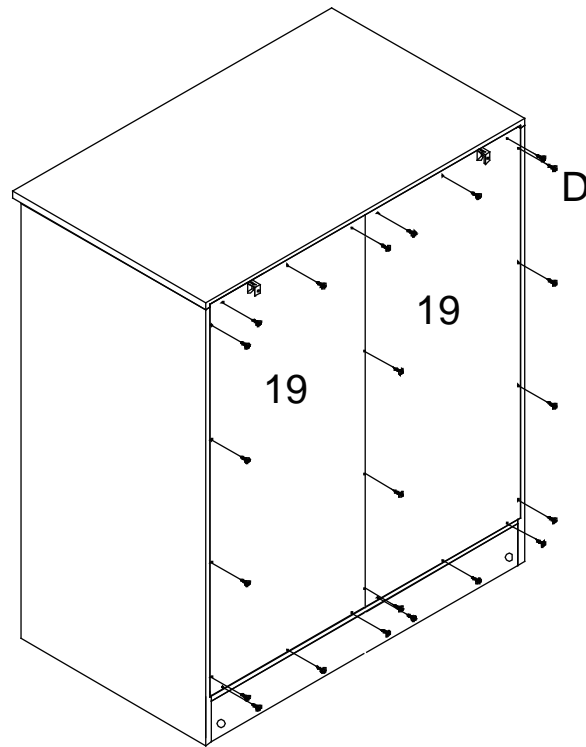
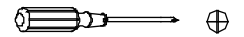
A		4 pcs
B		4 pcs
C		4 pcs
E		2 pcs
G		3 pcs
M		2 pcs



- Refer to Drawing 10A - Lay Top Panel (1) as shown on a material that does not scratch or damage the panel and screw in Cam-bolt (A) into the designated holes on(1).
- Attach Bracket (M) to (1) with Screw (E). Ensure that the bracket can slide.
- Insert Wood Dowel (C) into the inner two holes on end of Left Panel (2) and Right Panel (3) as shown .
- Attach (1) to (2 & 3) via wood dowel and cam-bolt on (1).
- Insert Cam-lock (B) into the holes on (2 & 3) then turn clockwise to lock onto Cam-bolt.
- Fasten (1) to Top Connect Bar (4) with Screw (G).



STEP 11

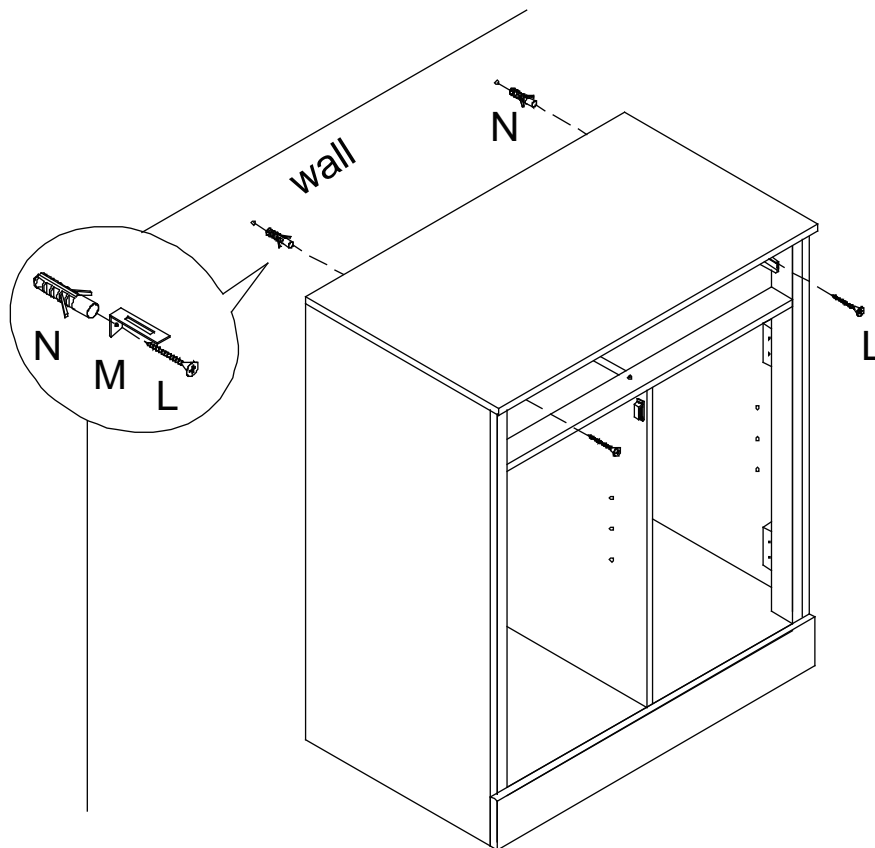
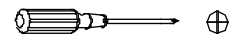
D		23 pcs
	2.5x10mm	



- Fit Back Panel (19) squarely to the back of unit.
- Affix (19) with Screw (D) as shown.


STEP 12

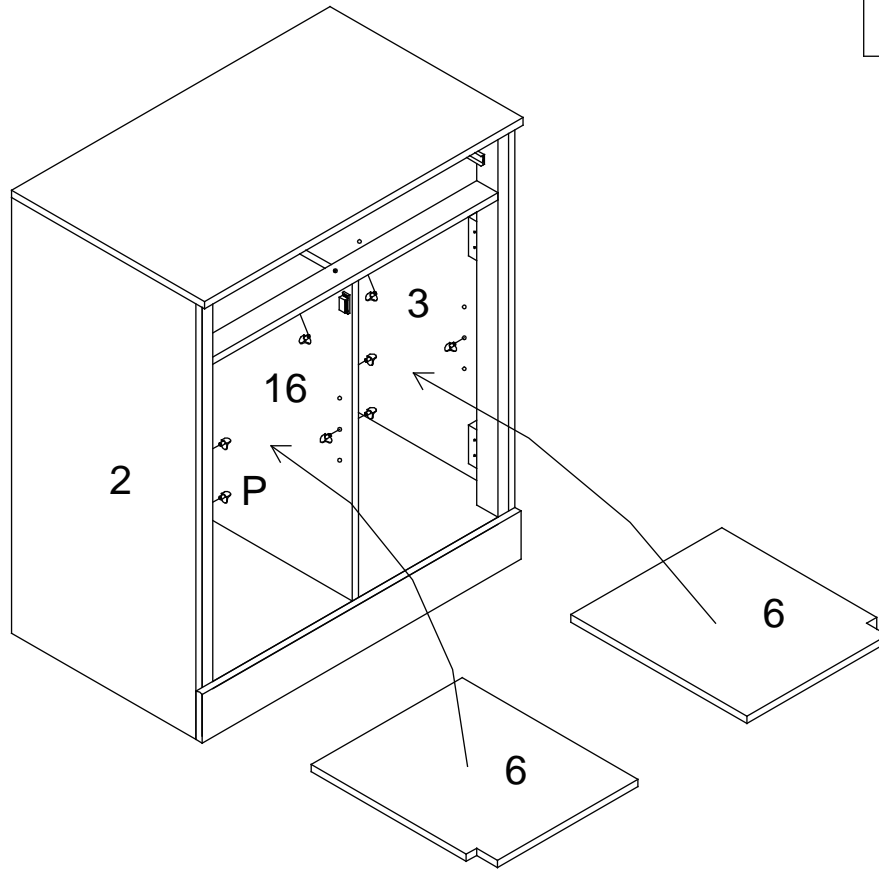
L		2 pcs
N		2 pcs



- Drill two holes in the dry wall as per the length and diameter of Plastic Anchor (N) and the distance between the holes and the height need to be the same as the screw holes on Bracket (M).
- Press Plastic Wall Anchor (N) into the 2 drilled holes. Ensure that the anchor fits securely in the wall.
- Drive Screw (L) through the screw hole on Bracket (M) into the screw hole on (N) to secure the Cabinet to the wall.

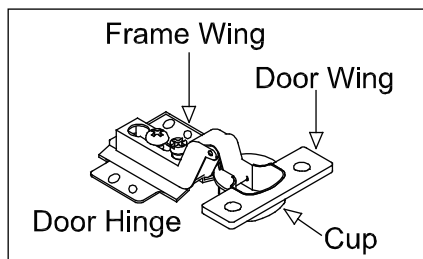
STEP 13





P		8 pcs
---	--	-------

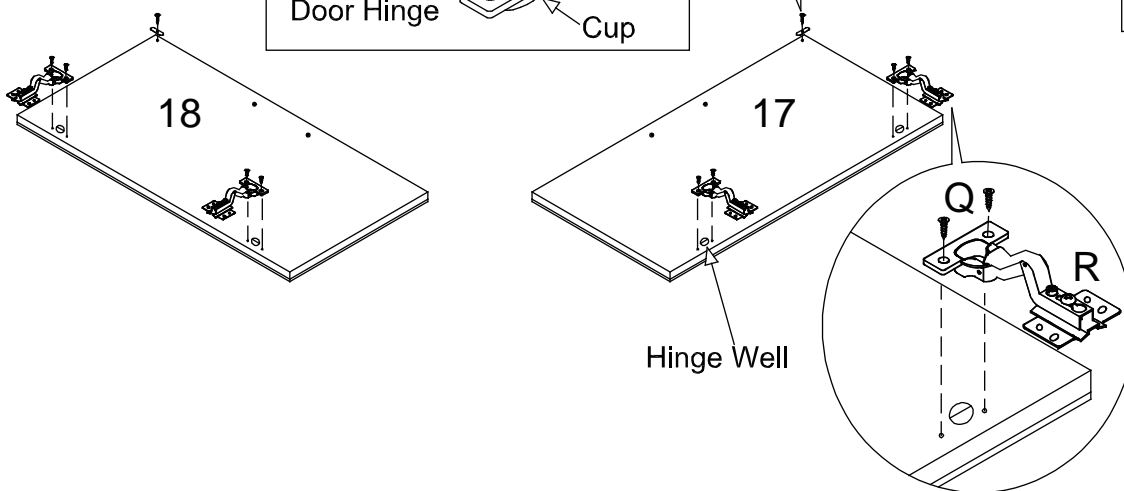
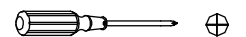


- Insert Shelf Pin (P) into the designated holes on the same level at the desired height on Side and Divide Panel (2, 3 & 16).
- Place Shelf (6) by tilting each shelf to fit between the side and divide panels and then level it to sit on (P).

STEP 14

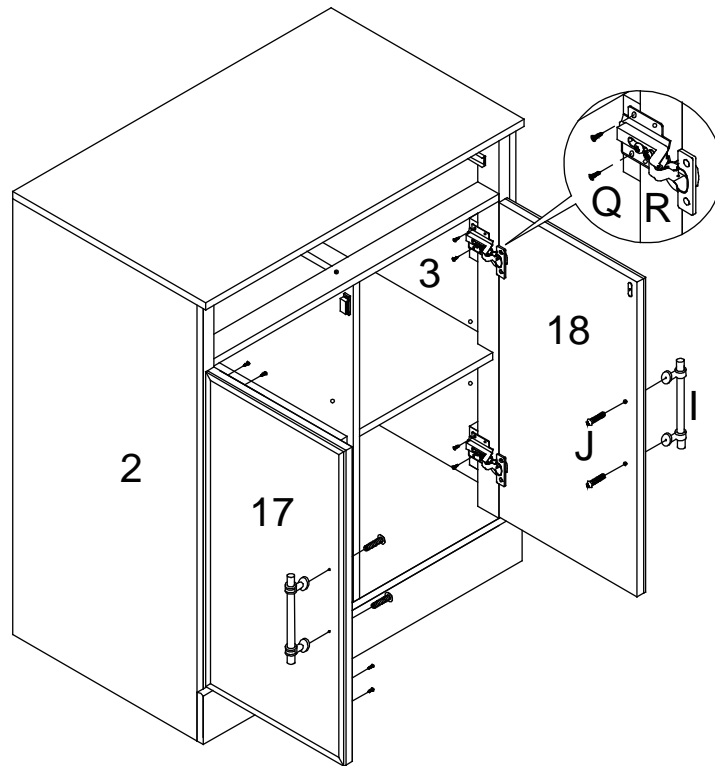


F	 3*12mm	2 pcs
Q	 4*14mm	8 pcs
R		4 pcs
T		2 pcs



- Place the interior side of Door (17 & 18) facing up as shown on a material that does not scratch or damage the part.
- Place Hinge (R) to fit the cup of the Door Wing into the hinge well on (17 & 18) and use Screw (Q) to fasten Door Wing.
- Attach Magnetic Plate (T) to Door (17 & 18) with Screw (F).

STEP 15



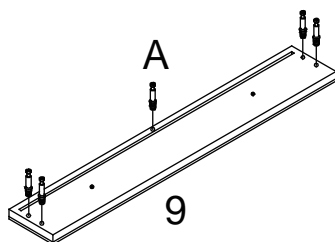
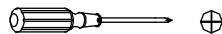
I		2 pcs
J		4 pcs
Q		8 pcs



- With assistance, position Door (17) to Left Panel (2) and Door (18) to Right Panel (3) as shown.
- Align the screw holes on the Frame Wing of the hinge to the pilot holes on Side Panel and fasten with Screw (Q).
Important: only screw in the back two screws in this step.
- Use Bolt (J) to affix Handle (I) to each door.

STEP 16

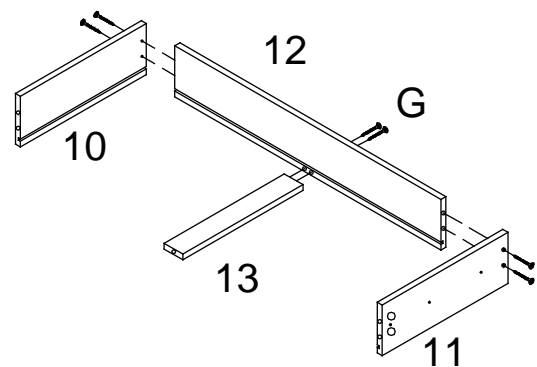
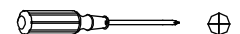
A		5 pcs
---	--	-------



- Lay Drawer Front Panel (9) as shown on a material that does not scratch the surface of each part.
- Screw in Cam-bolt (A) into the designated holes on (9).

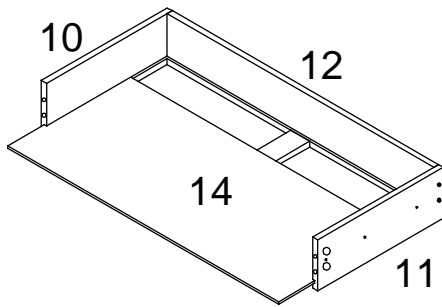
STEP 17

G		6 pcs
---	--	-------



- Position Drawer Back Panel (12) between Drawer Left and Right Panels (10 & 11) as shown - ensure the groove on each part is aligned - then fasten (10 & 11) to (12) with Screw (G).
- Attach Drawer Bottom Connect Bar (13) to (12) with Screw (G).

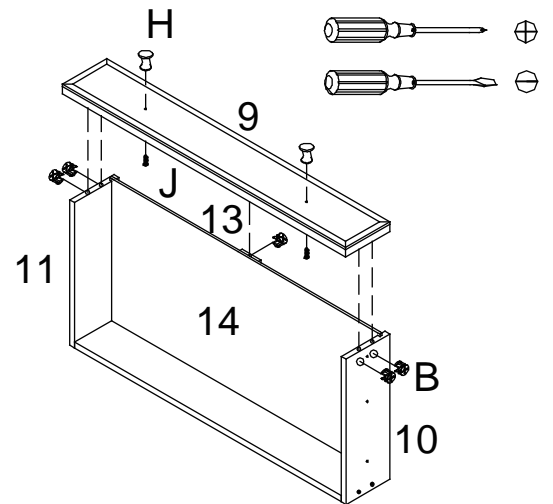
STEP 18



Fit Drawer Bottom Panel (14) via groove on (10, 11 & 12).

STEP 19

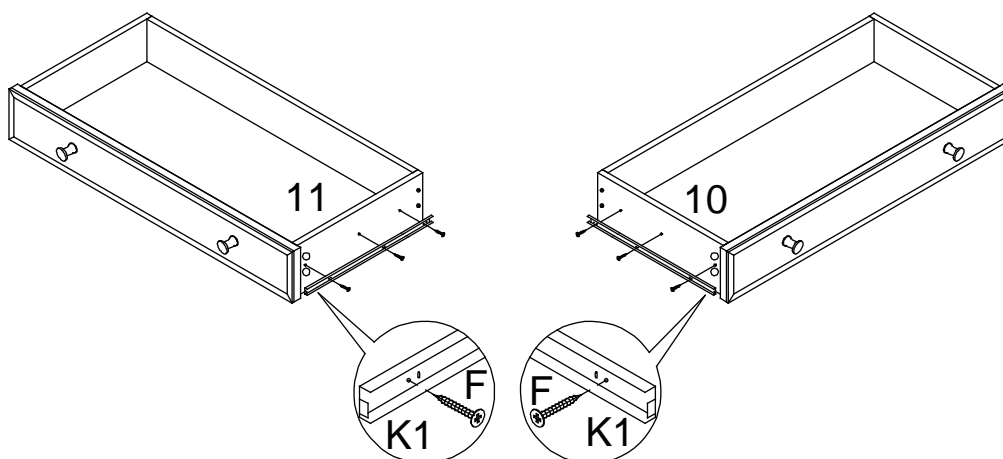
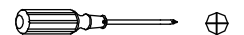
B		5 pcs
H		2 pcs
J		2 pcs



- Attach Drawer Front Panel (9) from STEP 16 to Drawer Left and Right Panel (10 & 11) and Drawer Bottom Connect Bar (13) - check that the front edge of (14) fits into the groove on (9).
- Insert Cam-lock (B) into the designated holes on (10, 11 & 13) then turn clockwise to lock onto Cam-bolt.
- Use Bolt (I) to affix Knob (H) to (9).

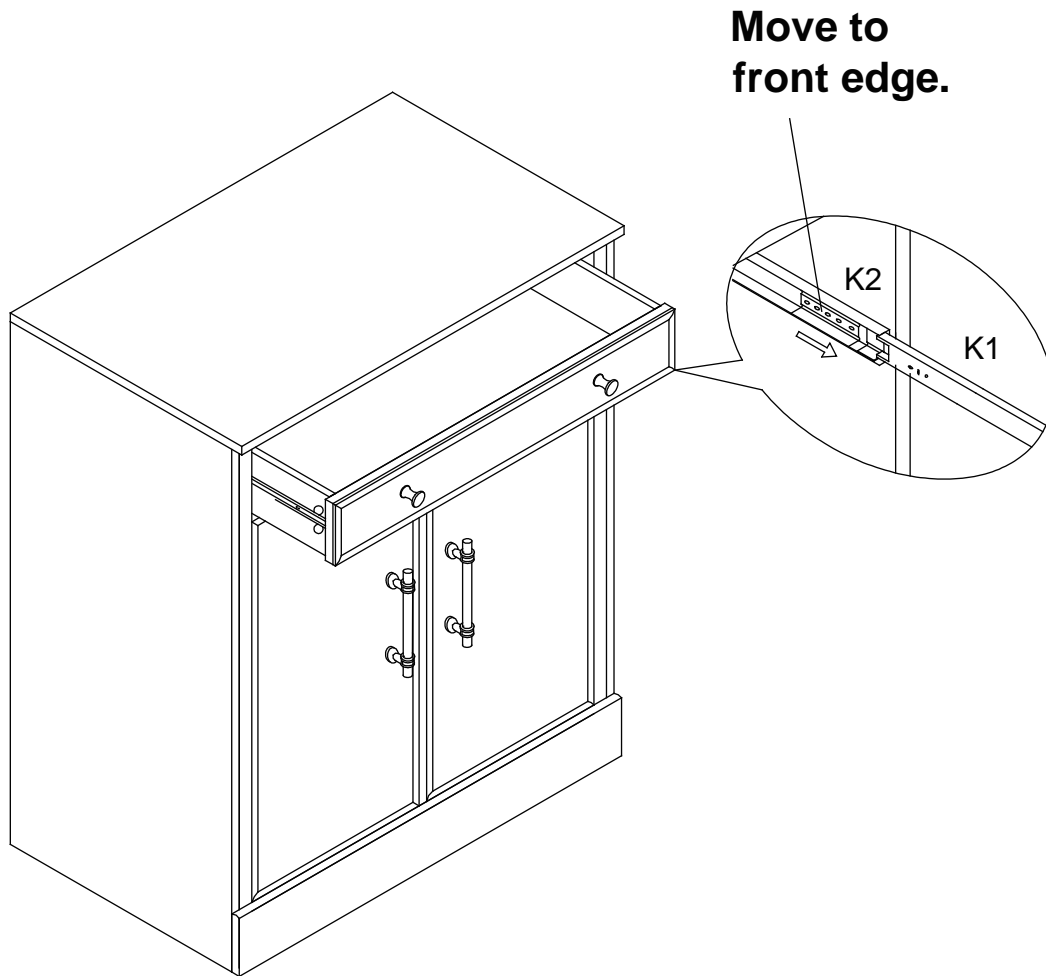
STEP 20

F	3x12mm	6 pcs
K1		2 pcs



- Position Glide Runner (K1) as shown. Note the orientation of (K1) with respect to the open-end of (K1) which faces the back of the drawer and the closed end is towards Drawer Front Panel as pictured.
- Align screw holes on (K1) to pilot holes on each side panel, and use Screw (F) to fasten (K1).

STEP 21

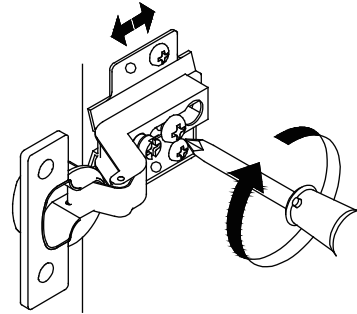
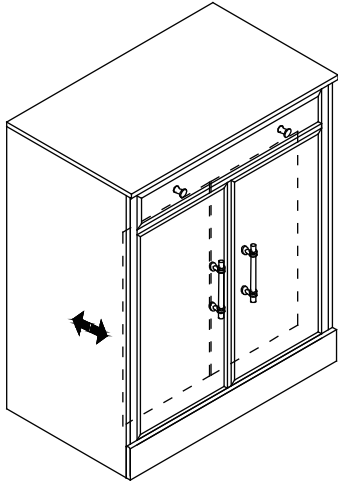


To insert the drawer:

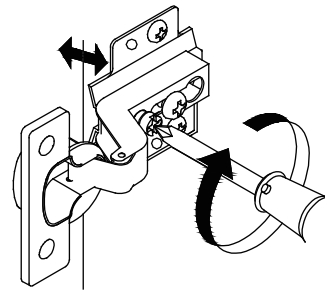
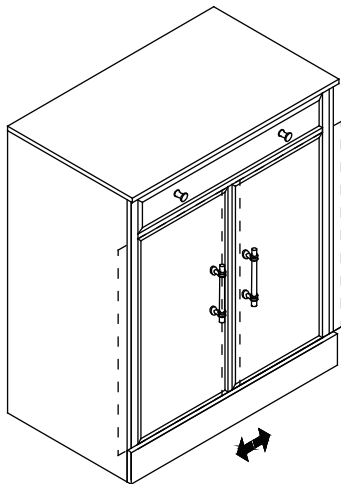
- On the Left and Right Panel, bring the ball-bearing slider on Slide Track (K2) forward to the front edge of (K2).
- Hold the drawer level in front of the table and align the back open-end of the Slide Runner (K1) on each side of the drawer to fit squarely into the groove on the open front-end of (K2) on each Side Panel. Be sure the drawer/(K1) is not tilted or angled.
- Push drawer in squarely and gently into place, allowing (K1) to slide into (K2). When the drawer is pushed in half way, the lever/stopper on (K1) will be engaged into (K2) which will create a little resistance (it is normal). Pull out the drawer a little bit and gently push in the drawer again to engage the sliding mechanism. The drawer should now slide back out and in smoothly.

STEP 22

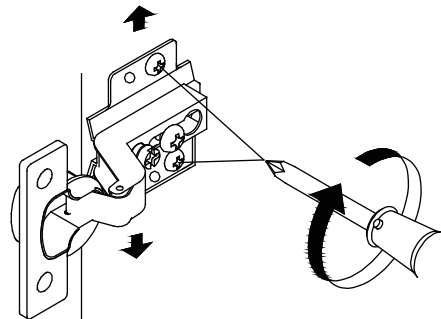
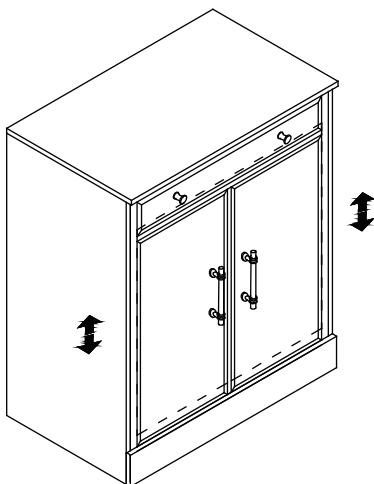
Door Adjustments - If necessary, adjust the doors to reduce gap between doors and also for a better fit.



Adjust the back screw as shown to adjust the door front and back.




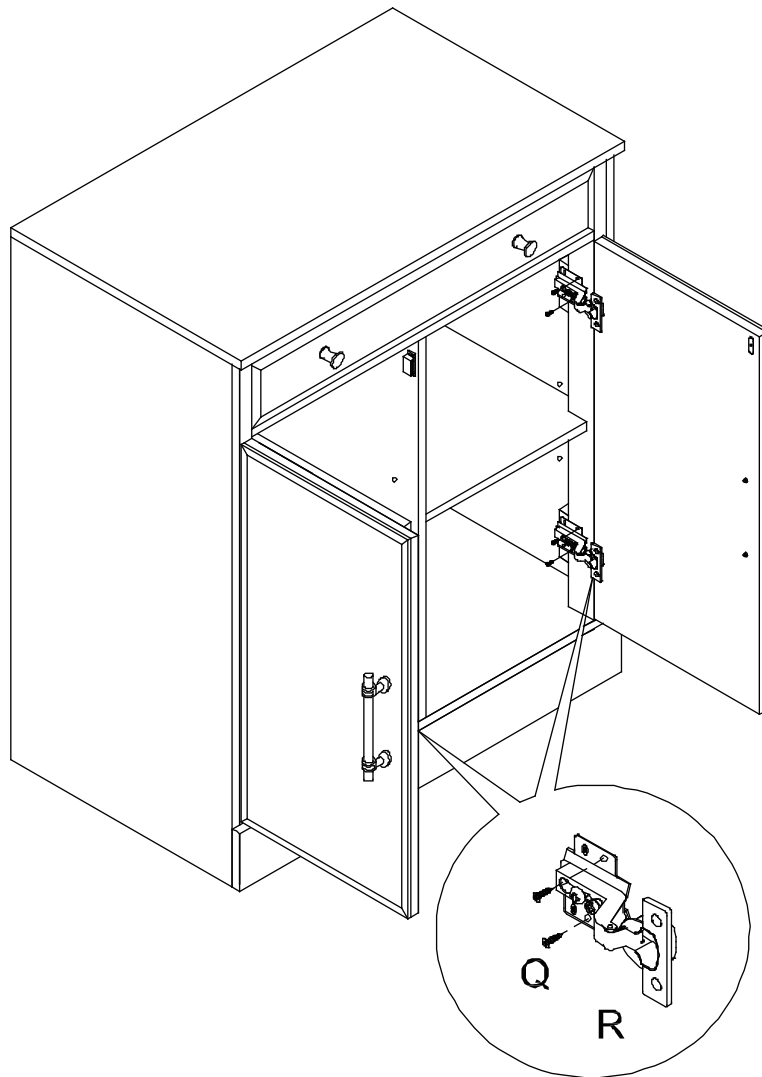
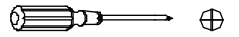
Adjust the front screw as shown to adjust the door left and right.



Adjust two screws as shown to adjust the door up and down.

STEP 23

Q	 4*14mm	8 pcs
---	--	-------



After the door adjustment is complete, use Screw (Q) to fixed the position of the hinge.

The assembly of the Cabinet is complete.