

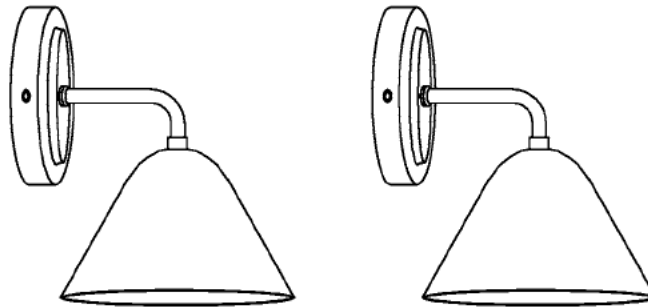
ASSEMBLY AND INSTALLATION INSTRUCTIONS(A)

WARNING: TO AVOID RISK OF ELECTRICAL SHOCK, BE SURE TO SHUT OFF POWER WHILE INSTALLING OR SERVICING THIS FIXTURE.

NOTES:

1. Before installing, consult local electrical codes for wiring and grounding requirements.
2. Read and save these instructions.
3. Always switch off the electricity supply and allow to cool for 10 minutes before changing the light bulbs.

1-LIGHT WALL SCONCE (2 PACK)



TOOLS REQUIRED



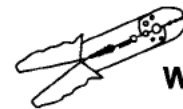
**Flathead
Screwdriver**



**Phillips
Screwdriver**



Ladder



Wire Strippers



Pliers



**Electrical
Tape**



Wire Cutters



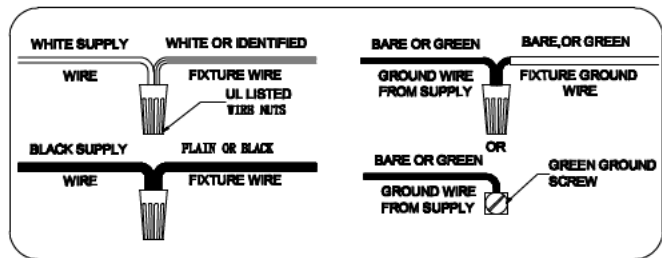
Safety Glasses

PREPARATION

Before beginning assembly of product, make sure all parts are present. Compare parts with package contents list and hardware contents list. If any part is missing or damaged, do not attempt to assemble the product. When the lamp is not installed finish, please don't throw away the package, so as not to leave the parts in the package.

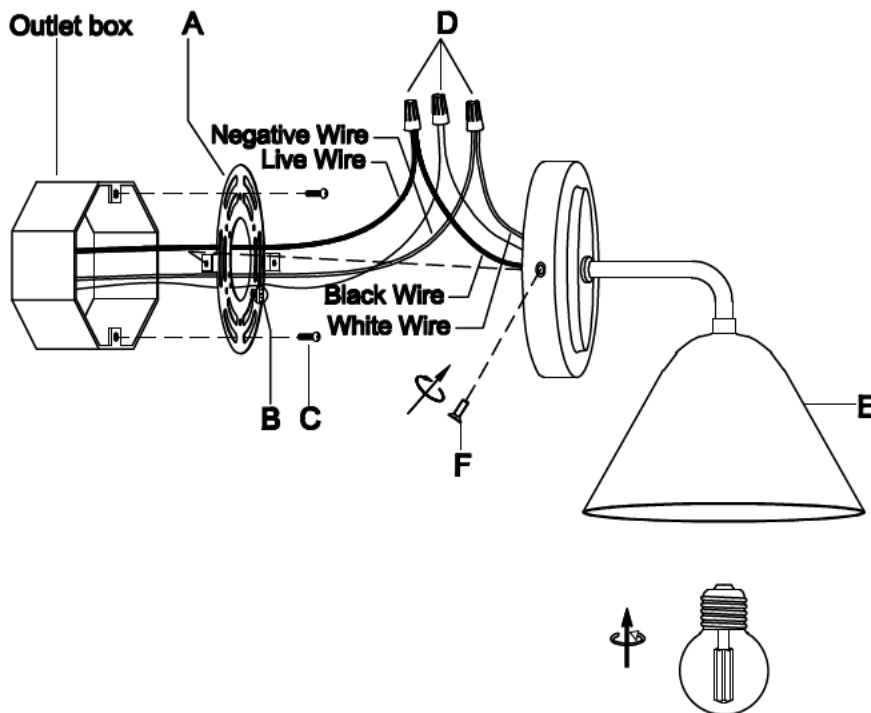
PART LIST AND HARDWARE LIST

PIECE	DESCRIPTION	QUANTITY
A	Mounting bracket	2
B	Green ground screw	2
C	Outlet box screw	4
D	Wire nut	6
E	Fixture body	2
F	Mounting screw	4



INSTALLATION

1. Attach the Mounting bracket (A) to the junction box with outlet box screw (C).
2. Attach the supply circuit ground wire (green or bare copper wire) to the the fixture ground wire, black to (black) and white to (white).
3. Attach the fixture body (E) to the mounting plate (A) with mounting screw (F).
4. Install the 60W MAX G45 Bulb (not included) into socket.



If you have any questions, please contact us, our warmest customer service will assist you within 24 hours.