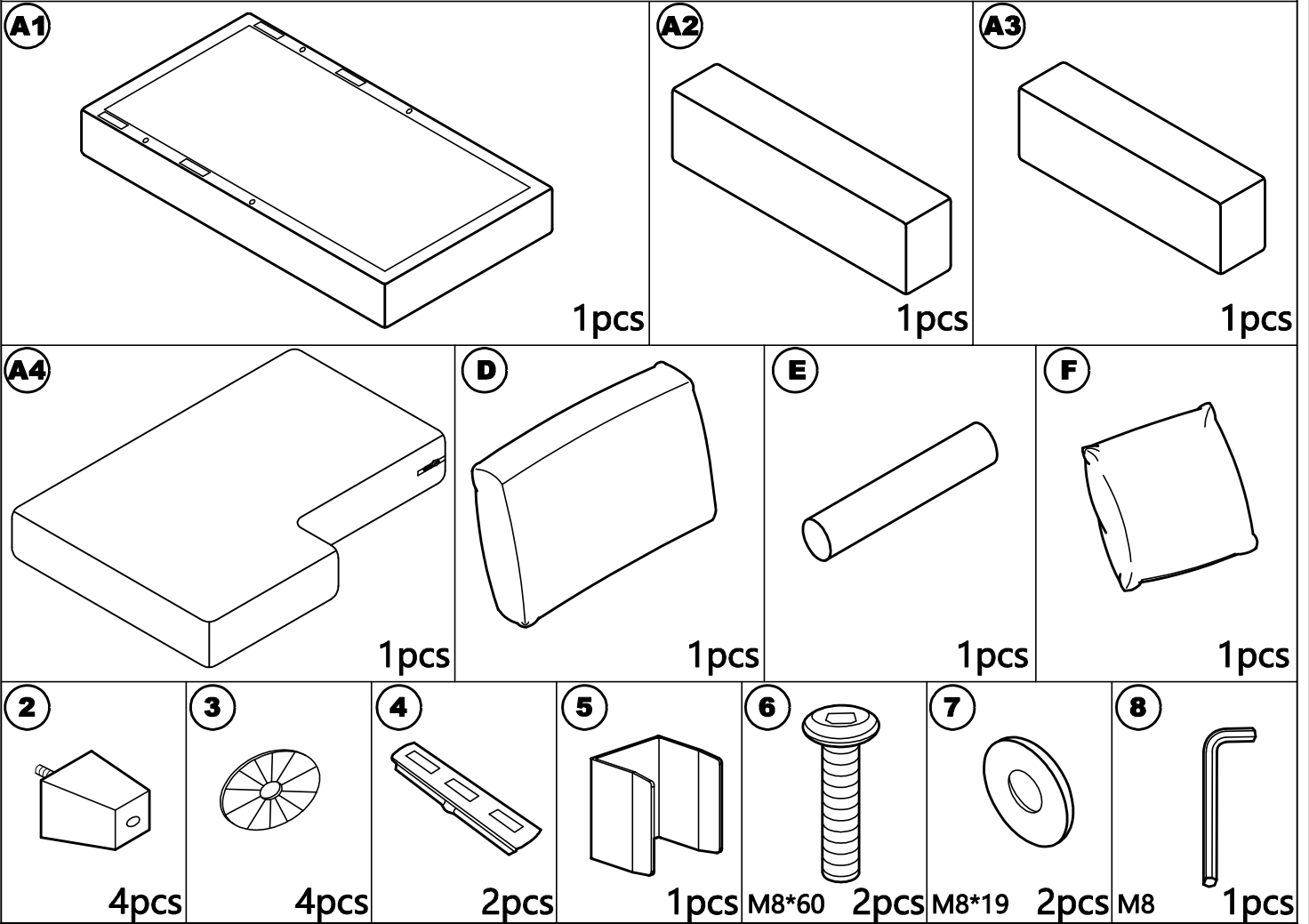


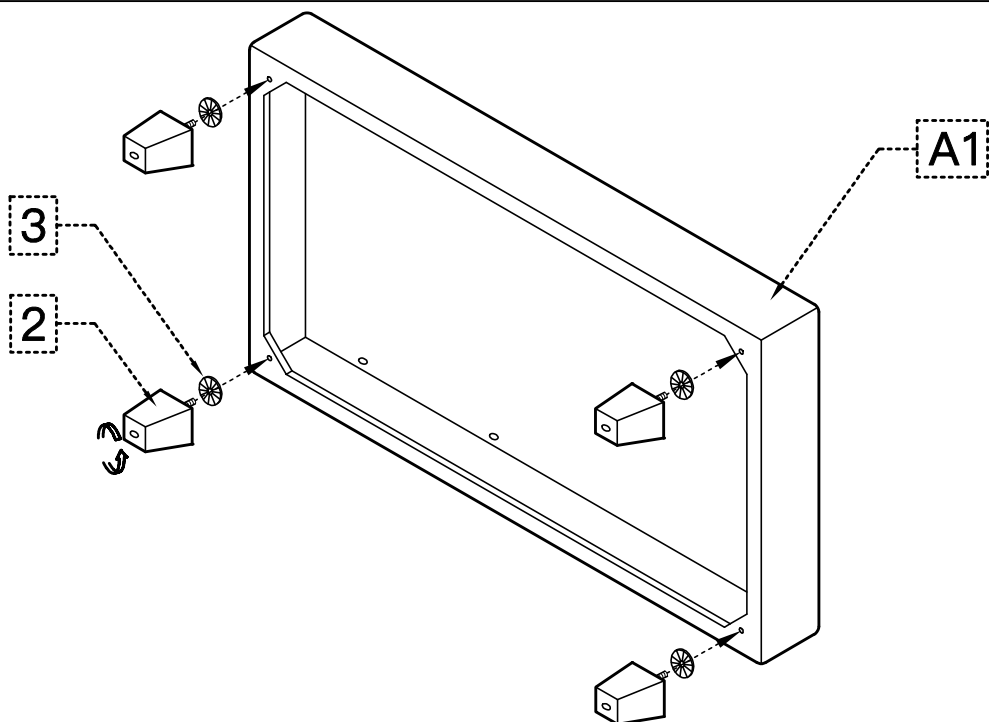
ASSEMBLY INSTRUCTIONS




parts list



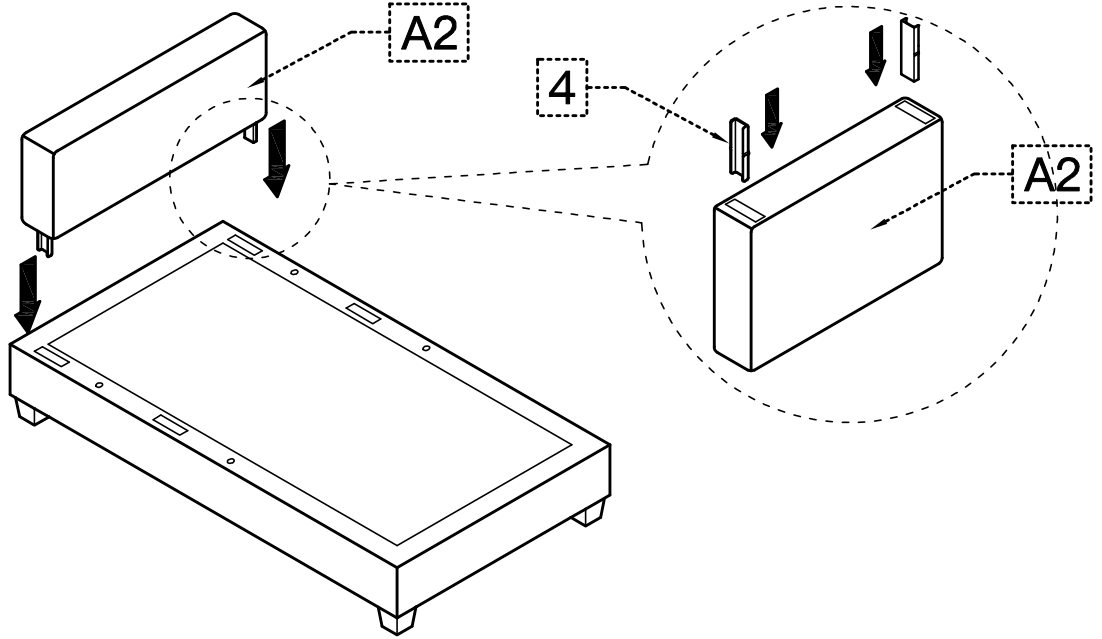
Installation method

Step 1



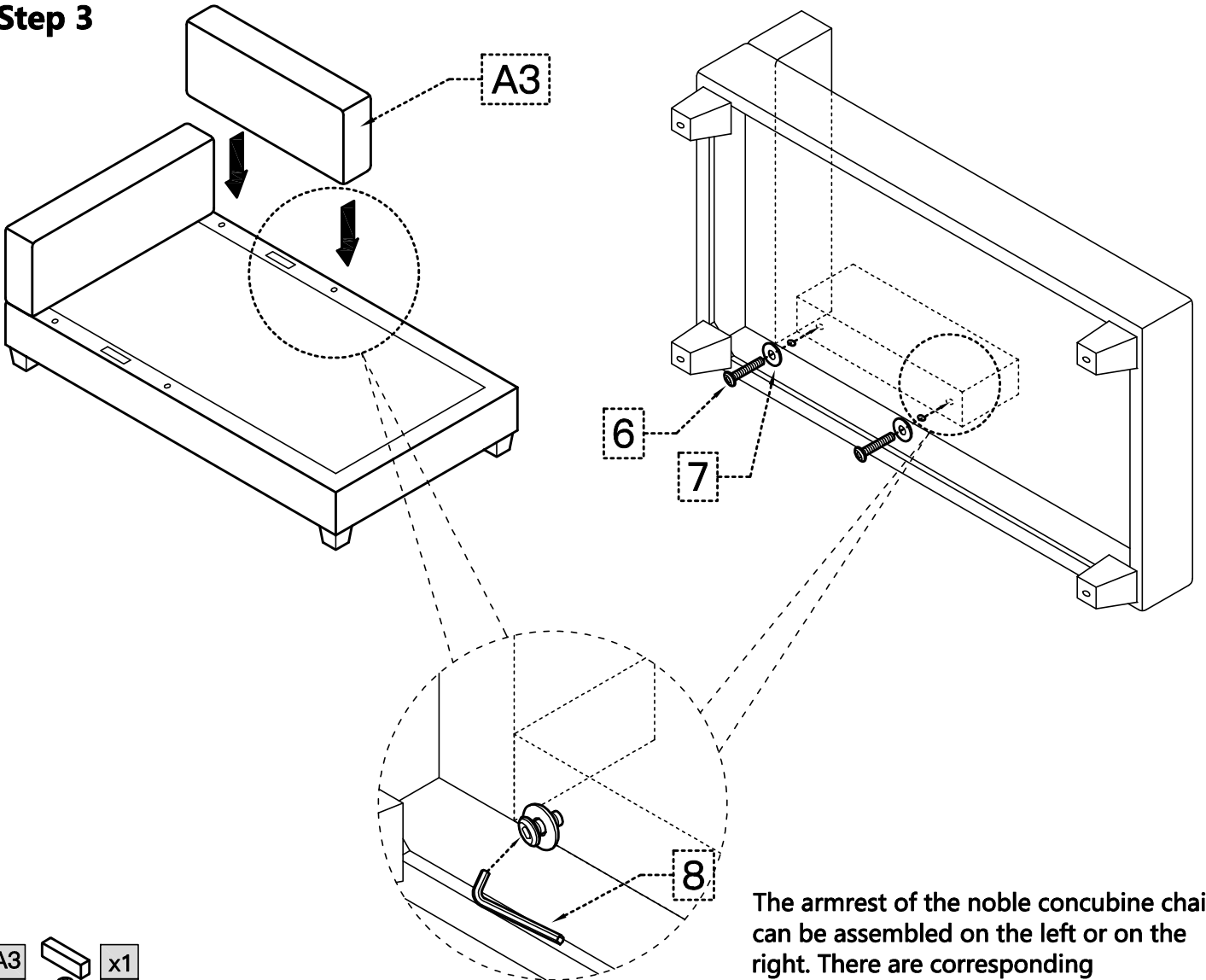
A1		x1
2		x4
3		x4

Step 2



A2		x1
4		x2

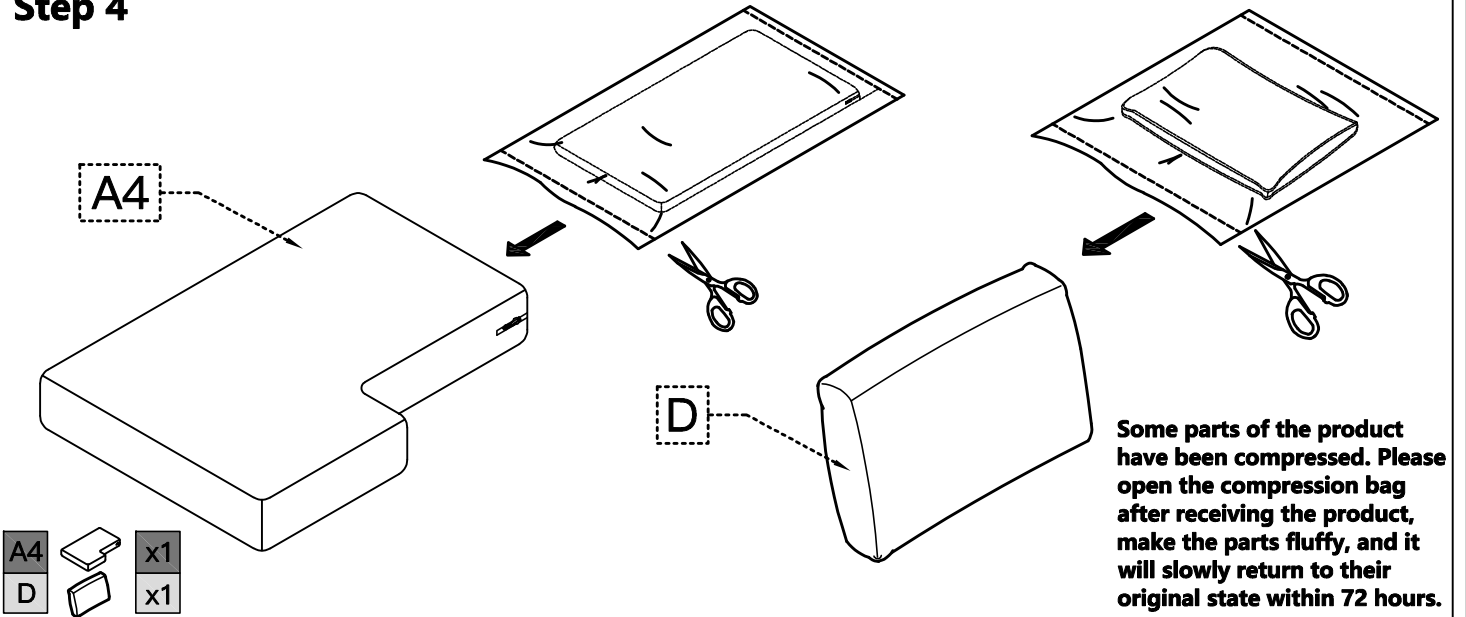
Step 3



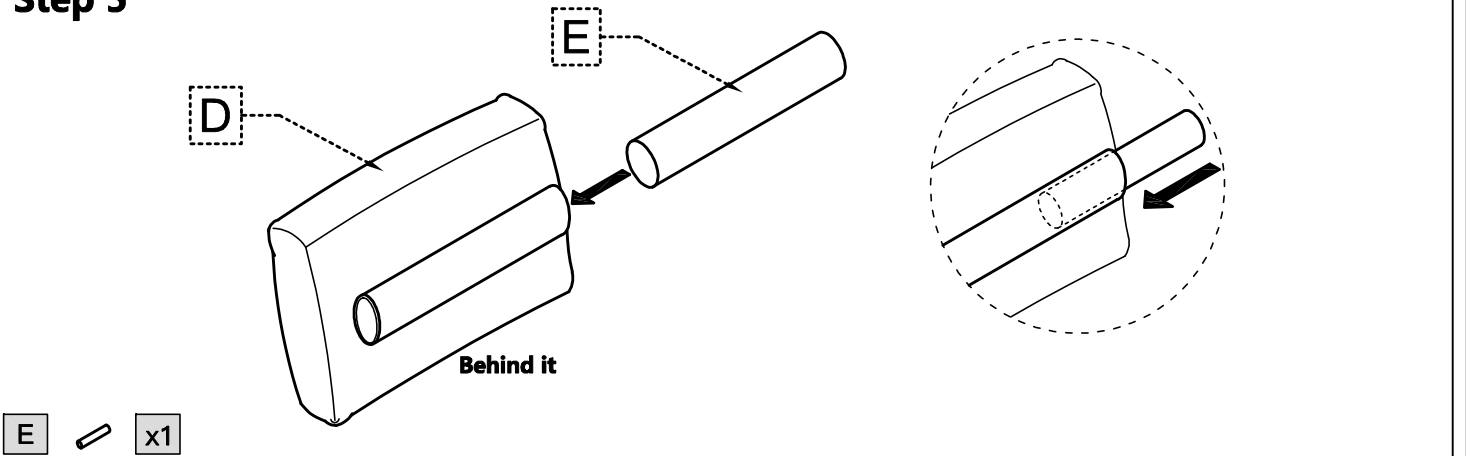
A3		x1
6		x2
7		x2
8		x1

The armrest of the noble concubine chair can be assembled on the left or on the right. There are corresponding installation holes on both sides. Please install them according to the actual use scenario and usage needs.

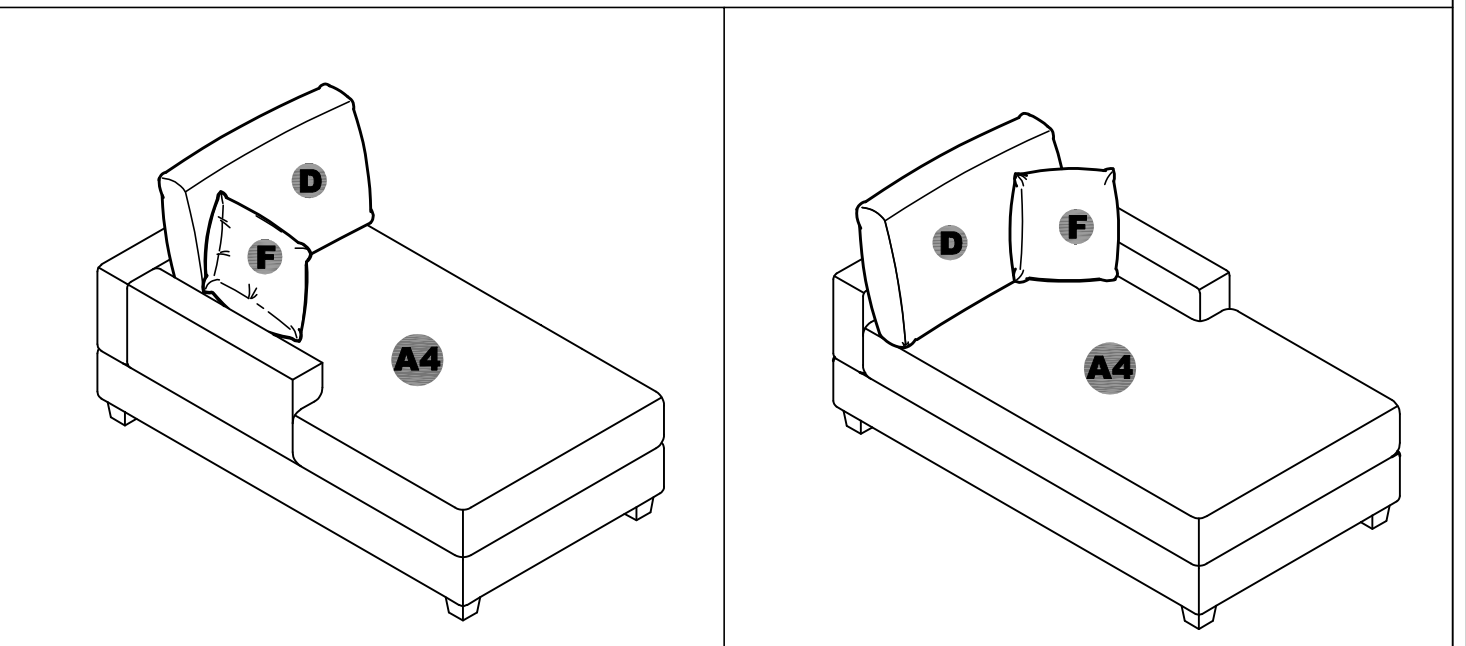
Step 4



Step 5



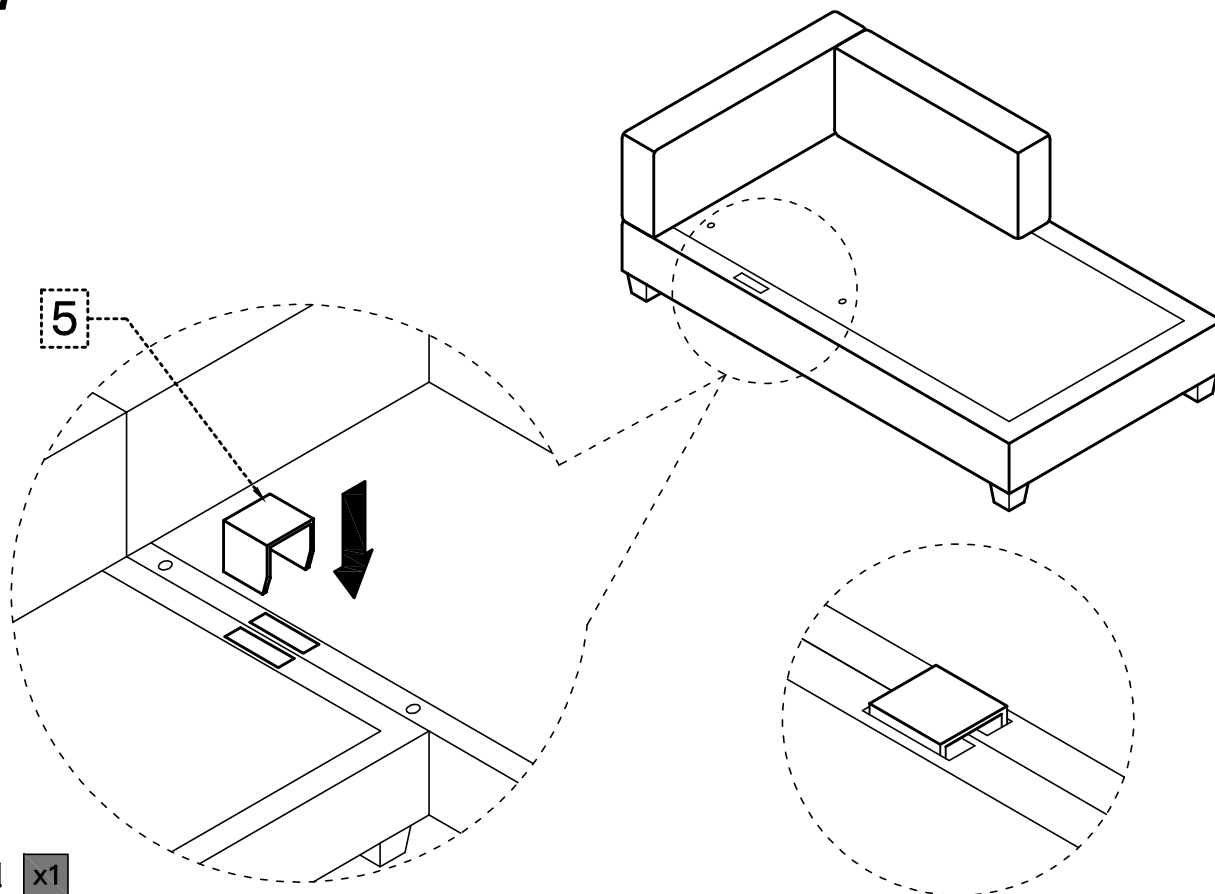
Step 6



This is a reference map of the handrails installed in different positions on the left and right, which can be installed according to the actual usage scenarios and usage requirements.

Instructions on sofa connection

Step 7



5  x1

This product can be assembled with other sofa seats through the reserved position on the sofa, and the sofa can be assembled according to the actual use and needs.

Assembl completed!