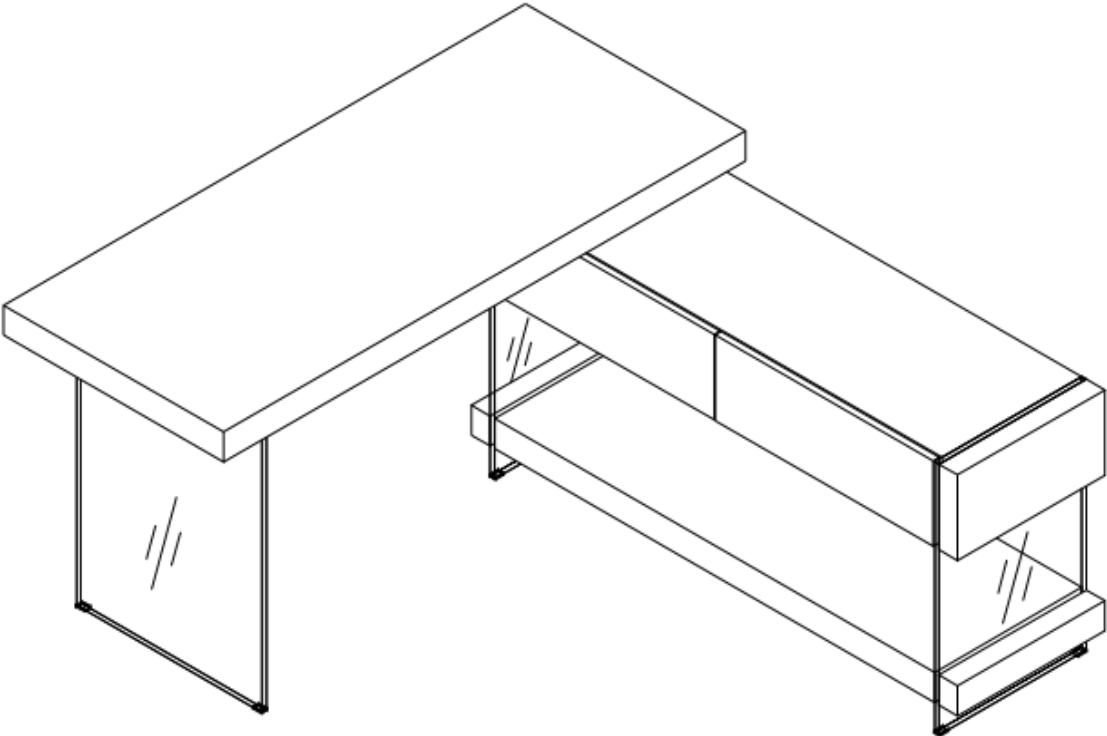
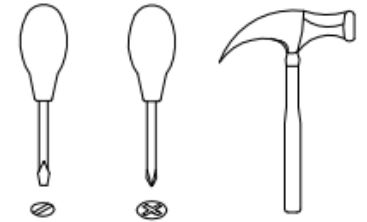
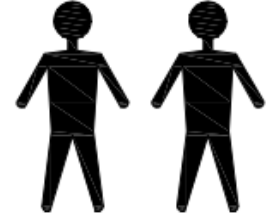


# Assembly Instructions

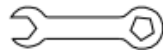




**A x2**  
Spec: M8\*L95



**B x4**  
Spec: M8



**C x2**  
Spec: 14#



**D x14**  
Spec: 12\*Φ11.8



**E x4**  
Spec: M18\*8.2\*2



**F x6**  
Spec:



**G x8**  
Spec:



**H x1**  
Spec: 10g



**I x8**  
Spec: 5/16\*L45



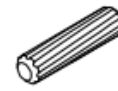
**J x8**  
Spec: M14\*8.2\*1



**K x1**  
Spec: 5#



**L x4**  
Spec: Φ10\*18



**M x4**  
Spec: Φ12\*60



**N x4**  
Spec: Φ8\*44



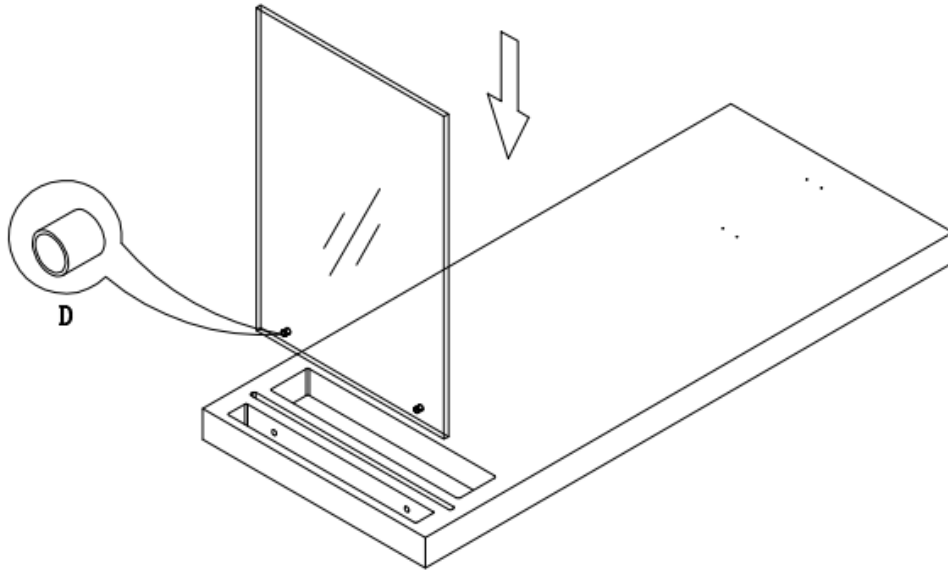
**O x1**  
Spec: 78\*50\*1.8



**P x4**  
Spec: Φ3.8\*L16

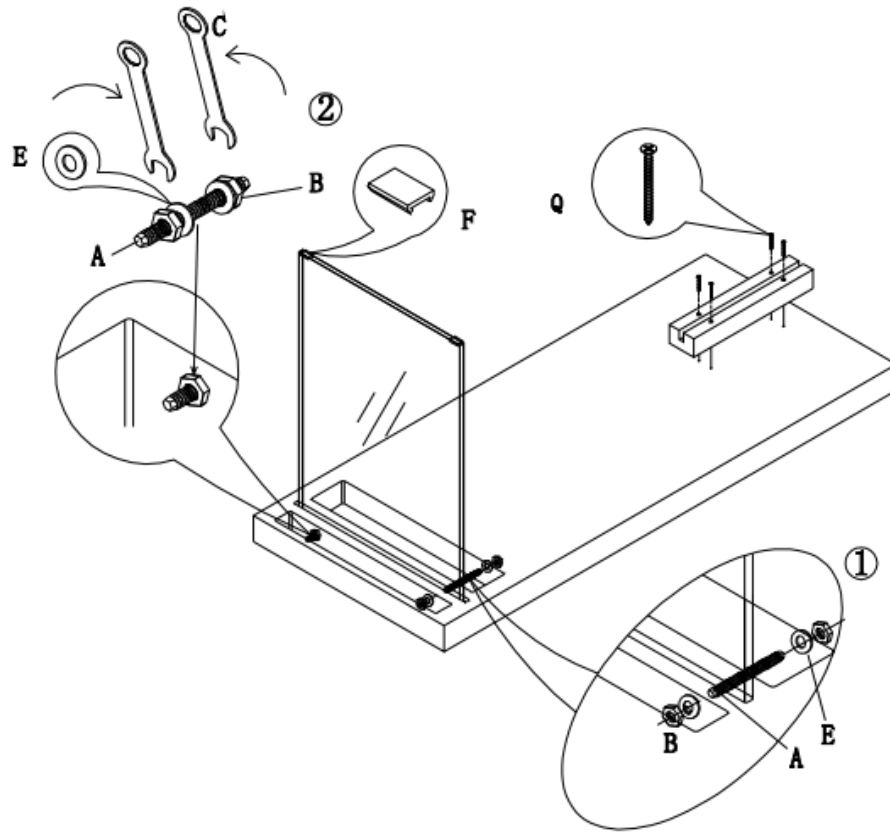


**Q x4**  
Spec: Φ3.8\*L50

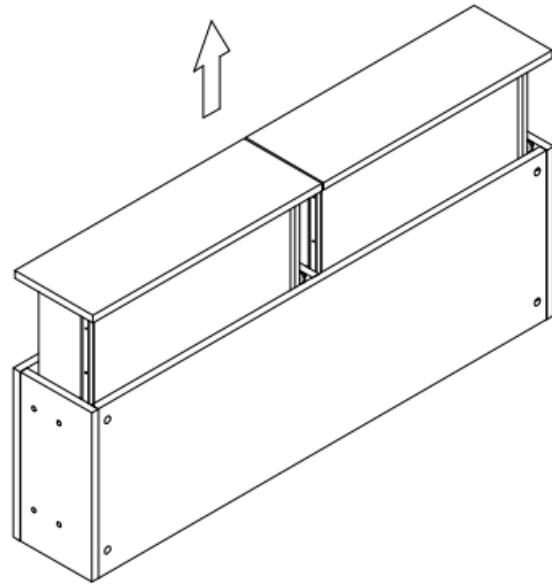


1

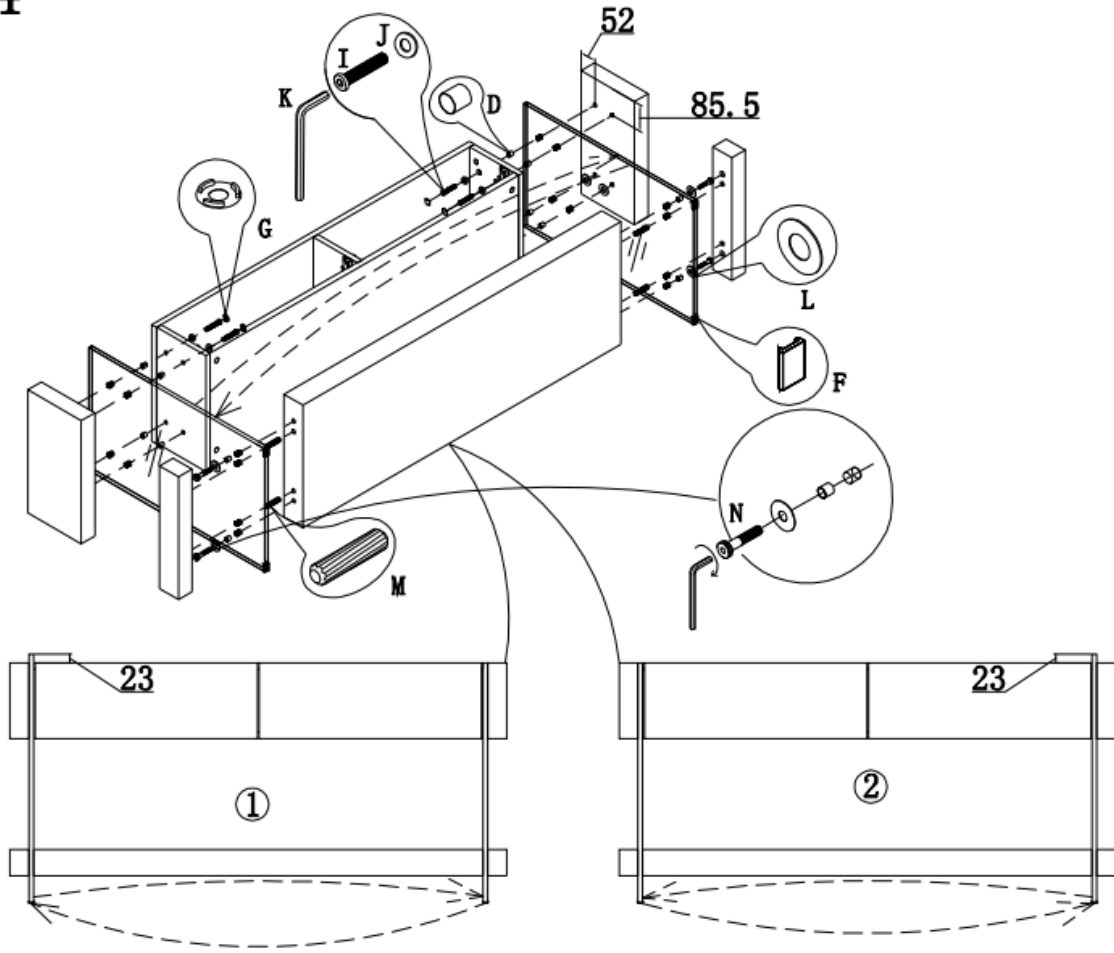
2

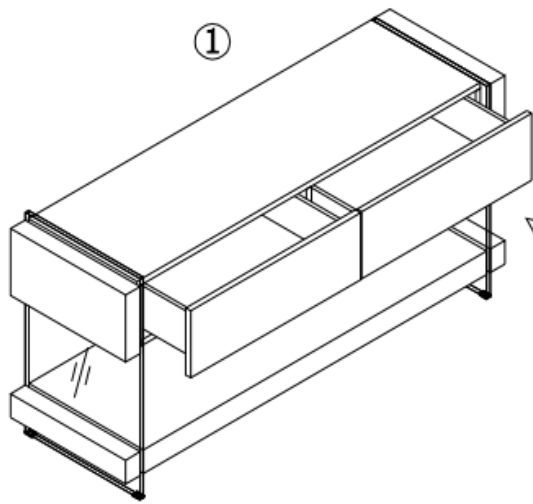


3

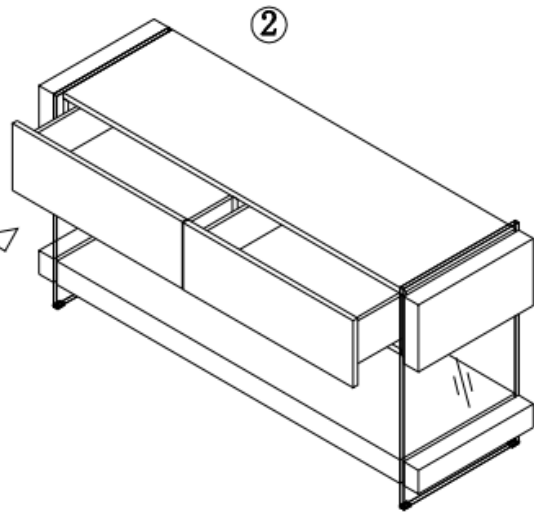


4

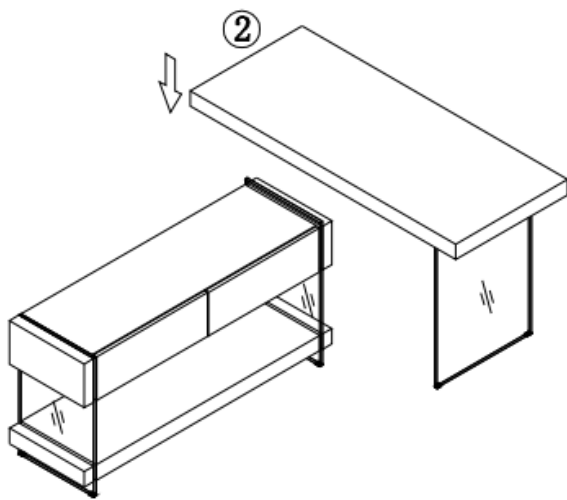
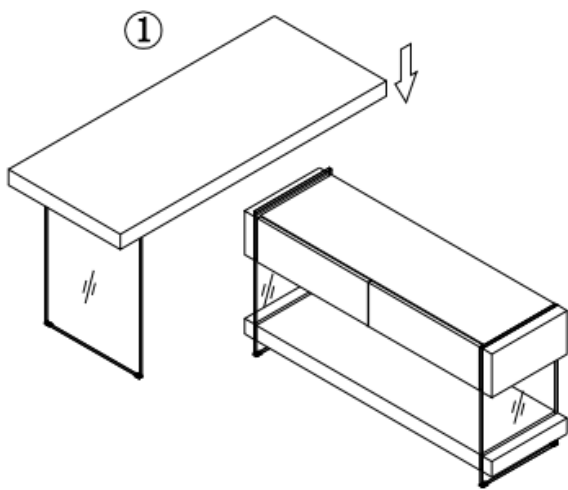


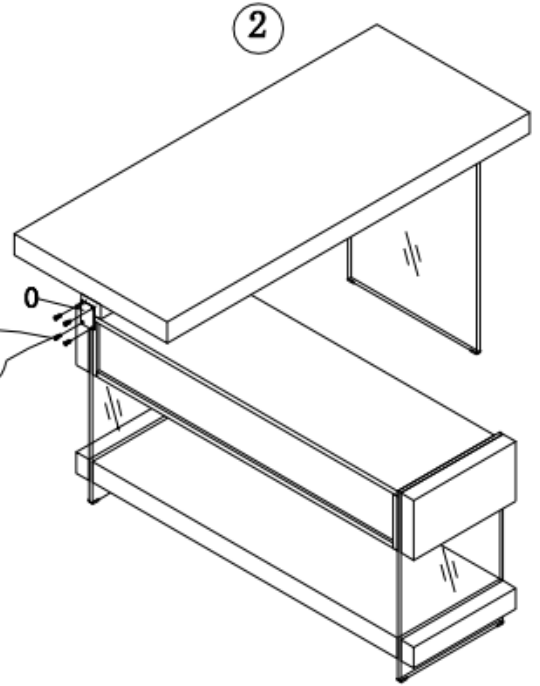
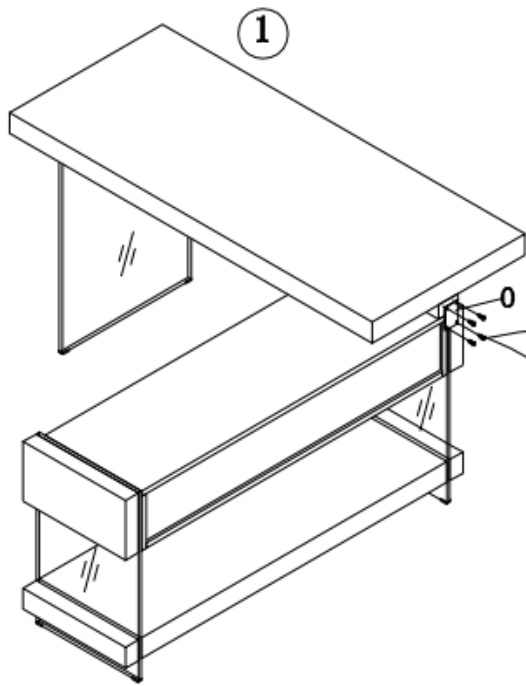


5



6





7