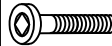
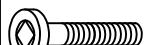


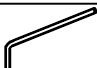


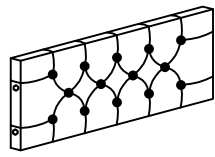
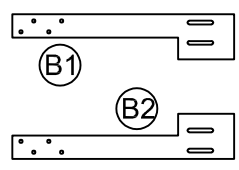
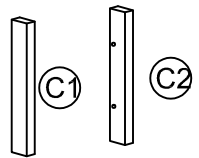
ASSEMBLY INSTRUCTIONS

MODEL : #1506DS-105 (V#12600CF SB1)

**NOTE : THIS ITEM NOT RECOMMENDED FOR COMMERCIAL USE
KEEP THIS DOCUMENT FOR REFERENCE IN CASE PARTS ARE NEEDED**

DO NOT TIGHTEN SCREWS UNTIL COMPLETELY ASSEMBLED !!

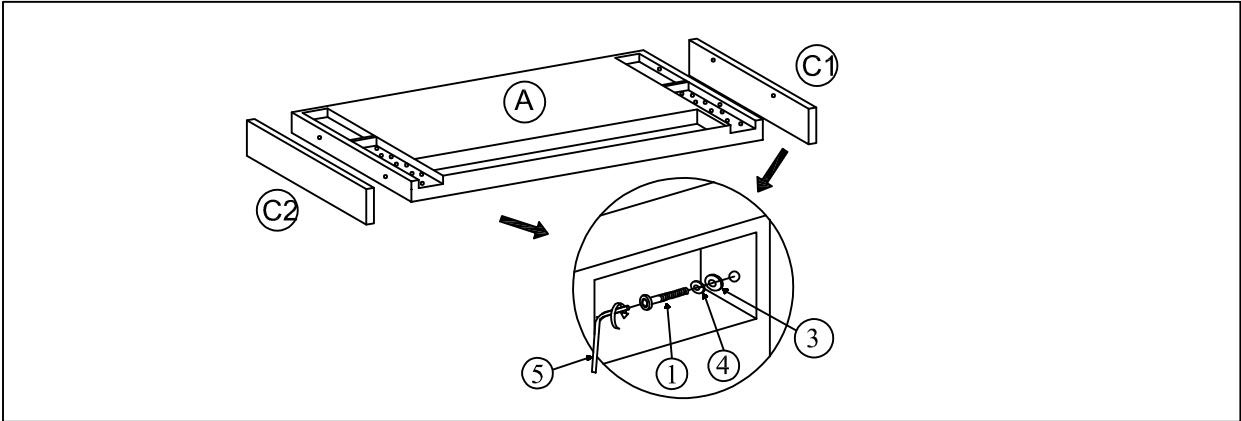
HARDWARE LIST				
NO		DESCRIPTION		QTY
1		BOLT	M6X40 mm	4PCS
2		BOLT	M6X50 mm	8PCS
3		FLAT WASHER	M6	12PCS
4		SPRING WASHER	M6	4PCS
5		WRENCH	M4	1PC

PART LIST			
NO		DESCRIPTION	QTY
A		HEADBOARD	1PC
B		WOODEN LEGS	2PCS
C		SIDE WING	2PCS

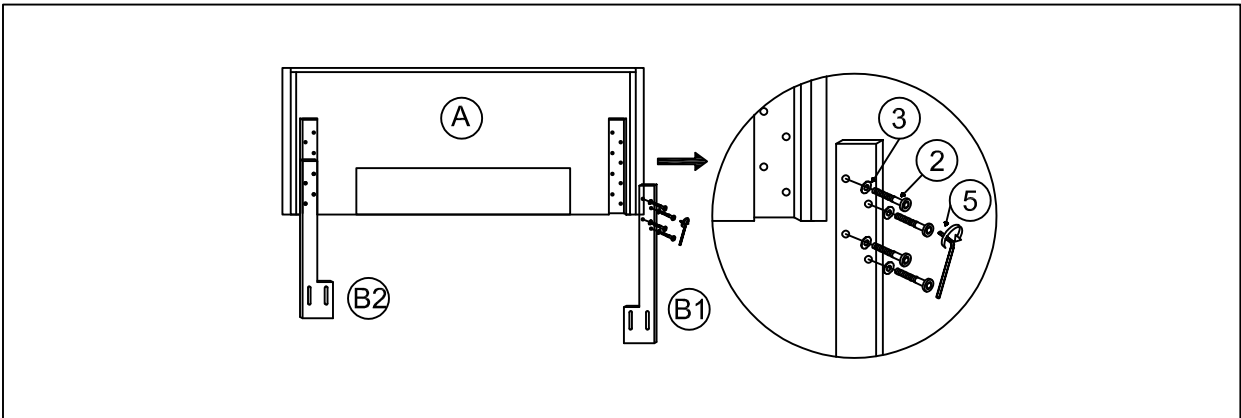
ASSEMBLY INSTRUCTIONS

MODEL : #1506DS-105 (V#12600CF SB1)

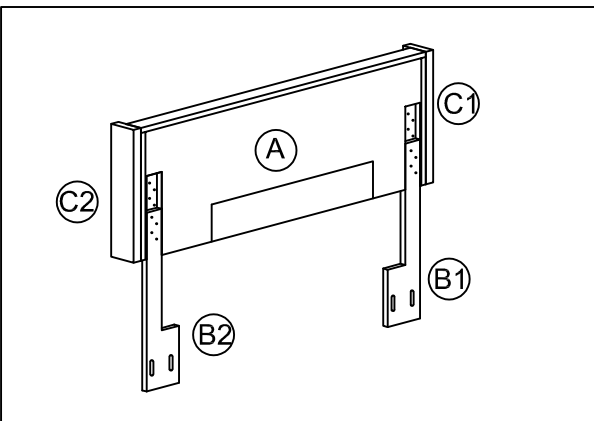
STEP 1 :



STEP 2 :



STEP 3 :



STEP 4 :

