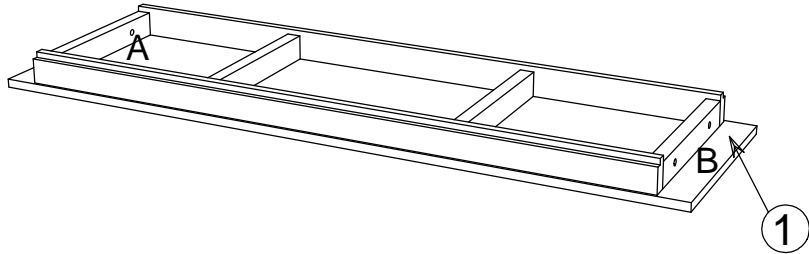


ASSEMBLY INSTRUCTION SHEET FOR FALL RIVER CONSOLE TABLE

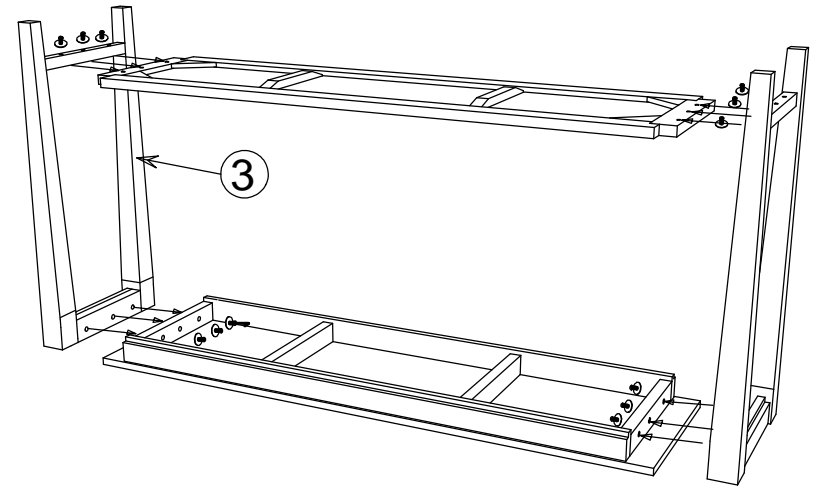
STEP - 1

Lay the Console table top (1) upside down on a Protective surface.



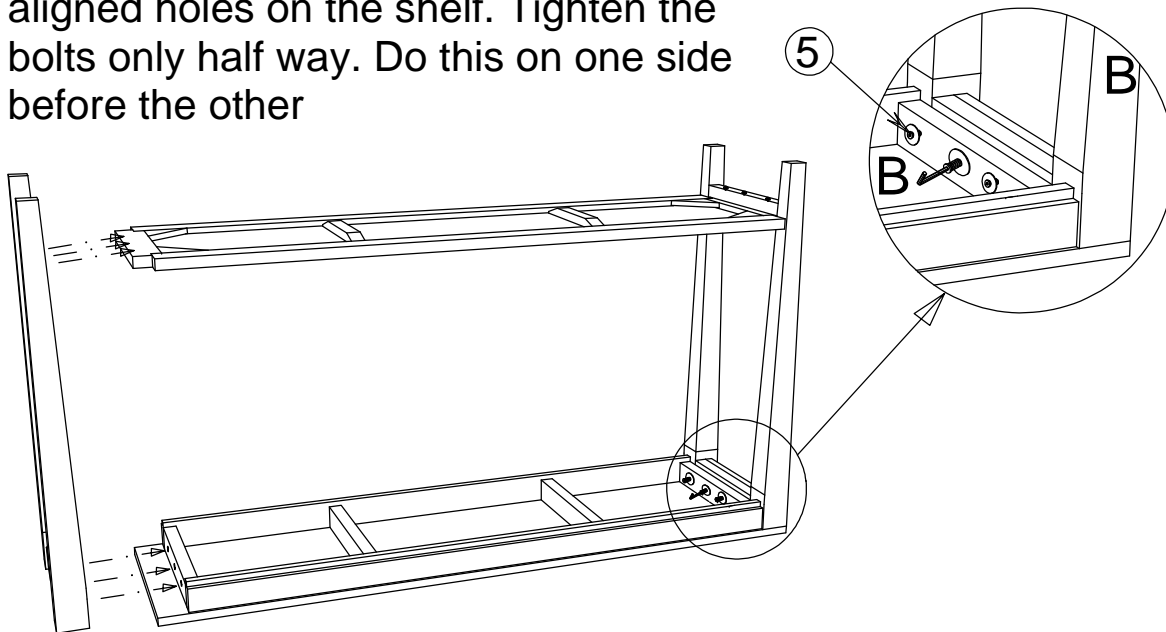
STEP - 2

Coordinate the Letters on the legs (3) to the Letters on the table top (1) and shelf (2). Align the holes for the allen bolts.



STEP - 3

Place a metal washer (4) on each allen bolt (5) before inserting them in the aligned holes on the legs. Place a metal washer (4) on each allen bolt (6) before inserting them in the aligned holes on the shelf. Tighten the bolts only half way. Do this on one side before the other



STEP - 4

Repeat Step 3 for other side.

