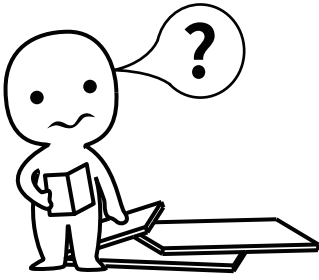


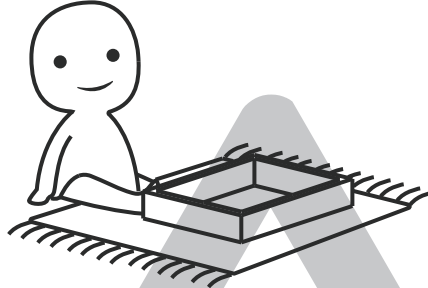
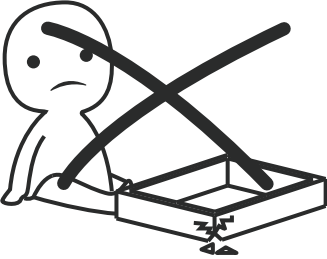
# **INSTALLATION**

*Product Manual*



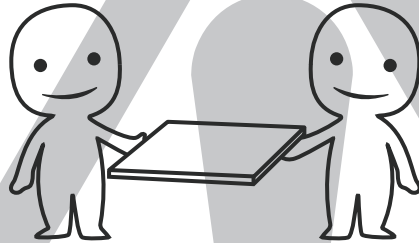
### **IMPORTANT INFORMATION!**

please read the entire manual before starting to assemble and/or using this product follow the manual thoroughly and keep it for further reference.



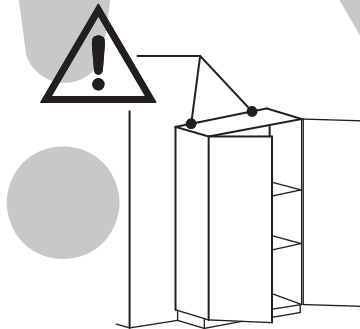
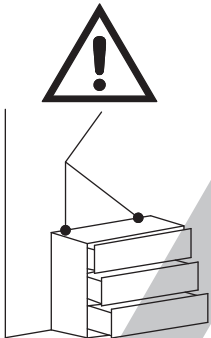
### **AVOID SCRATCHES!**

In order to avoid scratching this furniture should be assembled on a soft layer-could be a rug.



### **IMPROVE EFFICIENCY !**

Try to find a partner to install with you, which can speed up the installation efficiency and shorten the time.



### **ANTI-TOPPLE WARNING !**

Overturnd furniture can cause serious or fatal crush injuries. To prevent tipping over, be sure to use the wall attachment, if not included with this product. Please purchase the wall attachment that fit your wall. If unsure, seek professional advice. Please read and follow each step of the instructions carefully.

### **IMPORTANT !**

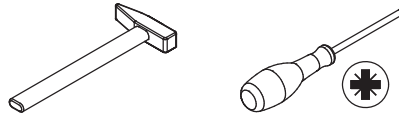
It is important that any product which is assembled using any kind of screw is re-tightened 2 weeks after assembly, and once every 3 months - in order to assure stability through-out the lifespan of the product.

For regular maintenance and cleaning of the product, for the frame, please use a rag dipped in neutral detergent to fully wipe it, and then dry it with a clean rag. For glass materials, wipe with a rag dampened with water glass cleaner, and then dry with a dry rag.

Do not use an electric screwdriver, and do not use too much force when installing, because the board is easy to break.




Please prepare the following tools



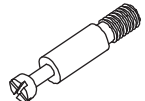
When installing, please carefully confirm whether each screw corresponds to the manual, accessories with similar shapes can be distinguished by size

A x 75



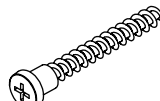
CRB1295A

B x 75




CRA0640A

C x 12



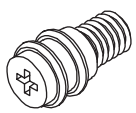
CRC0540A

D x 2



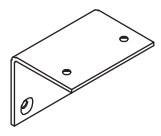
CRF0640A

E x 4

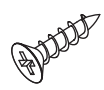


Ø8 x 18 mm

F x 2

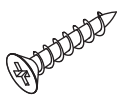


G x 24



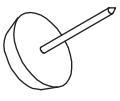
CRD0312A

H x 36

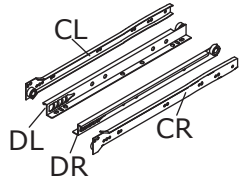


CRD3512A

J x 8

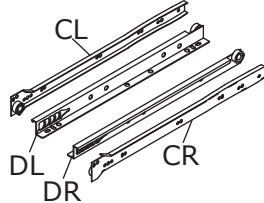


K x 1



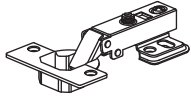
WX0810A

L x 2



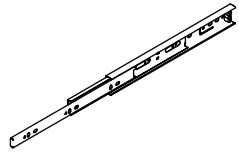
WX0812A

M x 2



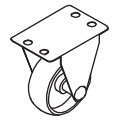
DGA861A

N x 2



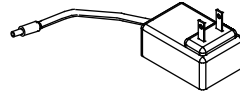
14"

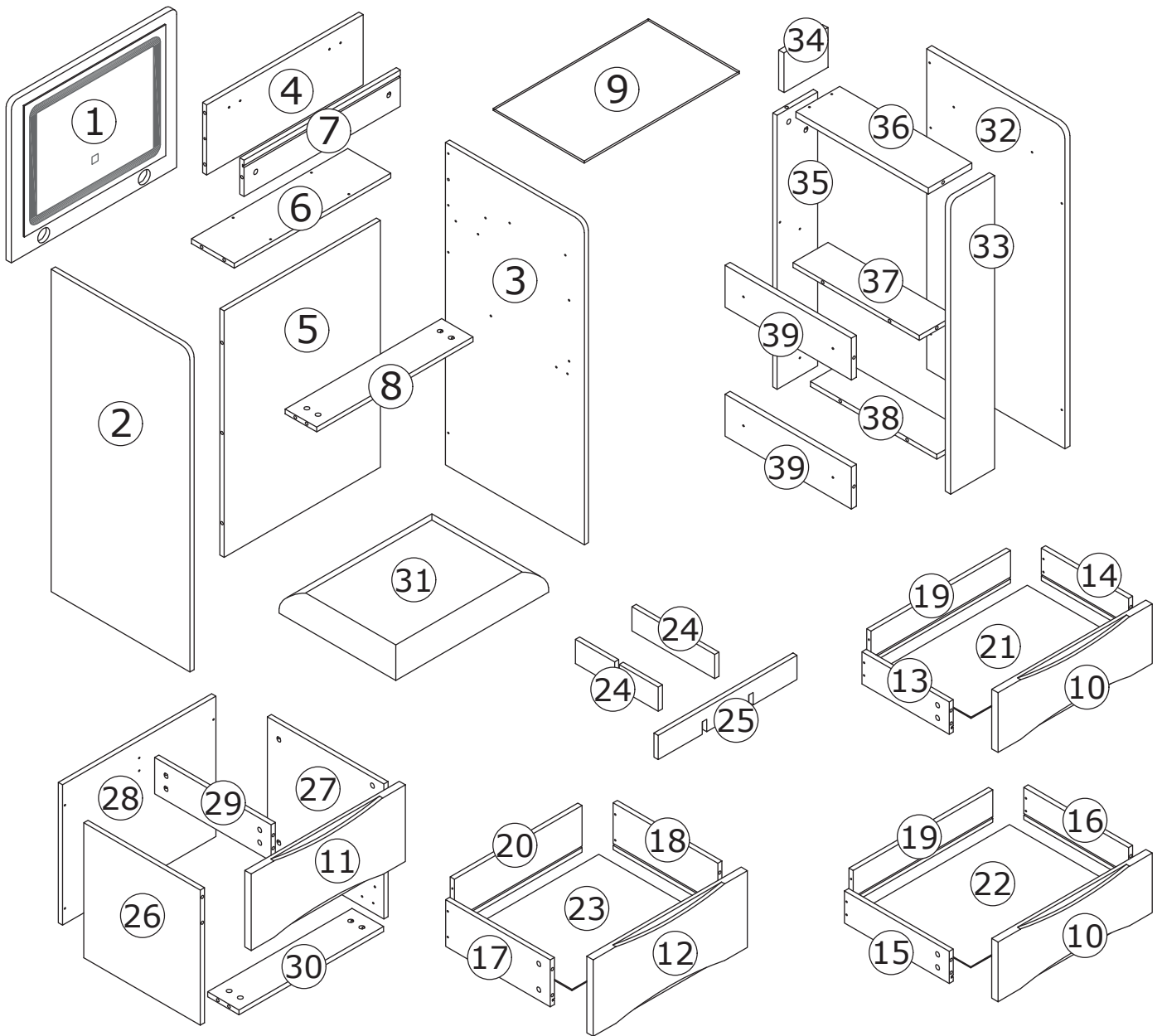
P x 2



48 mm

Power plug x 1





## ⚠ WARNING

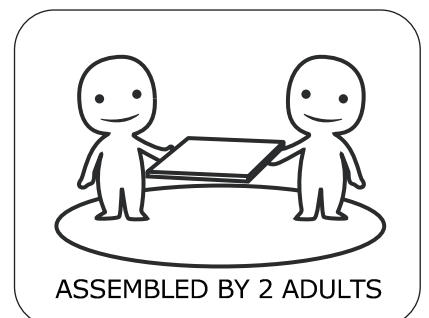


Children have died from furniture tipover. To reduce the risk of furniture tipover:

- ALWAYS install Anti-tip device provided.
- NEVER put a TV on this product.
- NEVER allow children to stand, climb or hang on drawers, doors, or shelves.
- NEVER open more than one drawer at a time.
- Place heaviest items in the lowest drawers.



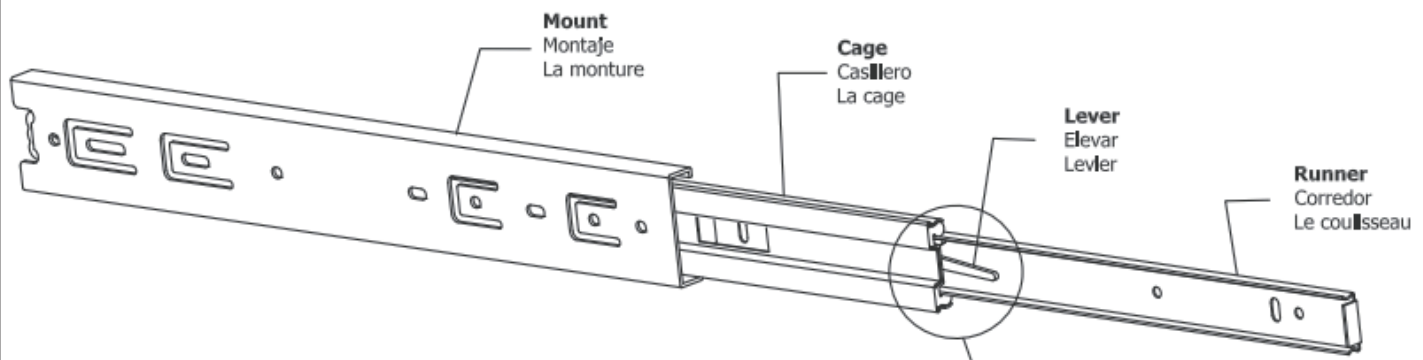
*This is a permanent label.  
Do not remove!*



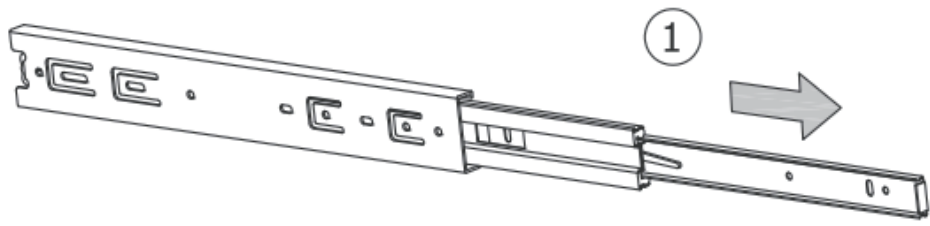
**Slides Must Be Separated Before Assembly.  
After Separated, Set Aside Until Needed for Assembly.**

Las diapositivas deben separarse antes del montaje.  
Después de la separación, déjelo a un lado hasta que sea necesario.

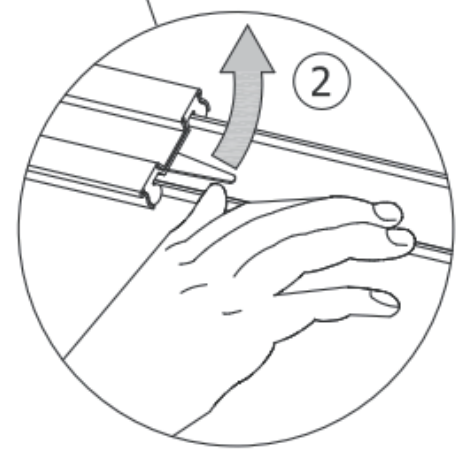
Les glissières doivent être séparées avant l'assemblage.  
Après la séparation, mettez de côté jusqu'au moment de l'assemblage.



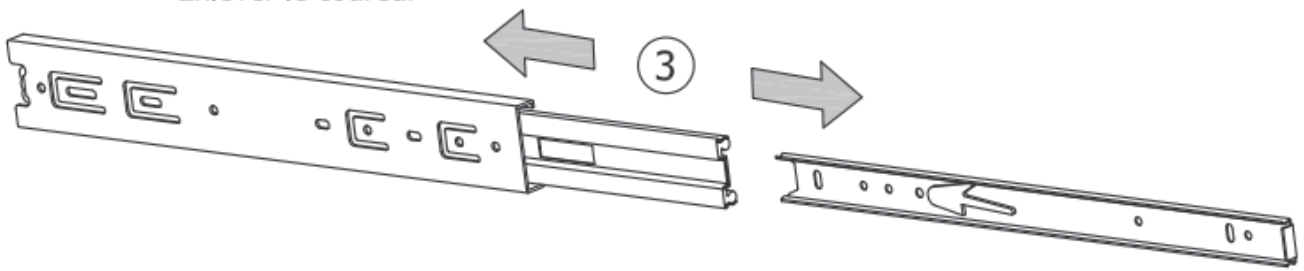
**STEP 1: Extend Slide**  
Extender la diapositiva  
Extendre la diapositive



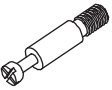

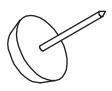
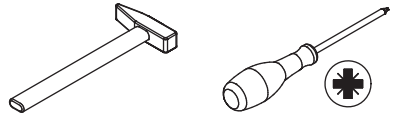


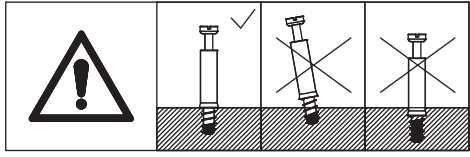
**STEP 2: Push Lever UP**  
Empujar hacia arriba  
Lever le levier



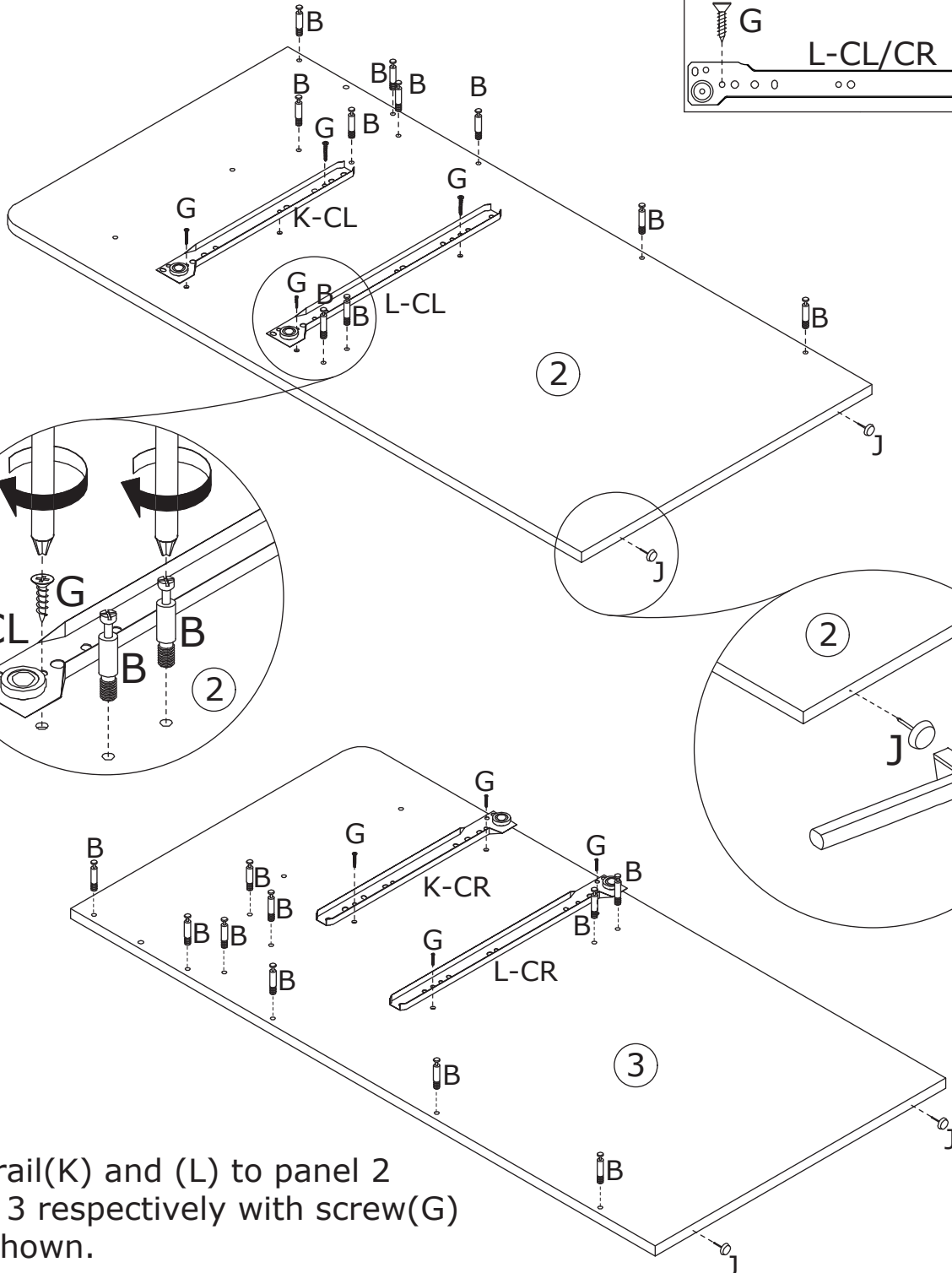
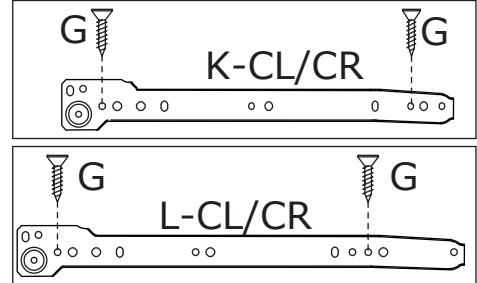
**STEP 3: Remove Runner**  
Quitar el corredor  
Enlever le coureur



1

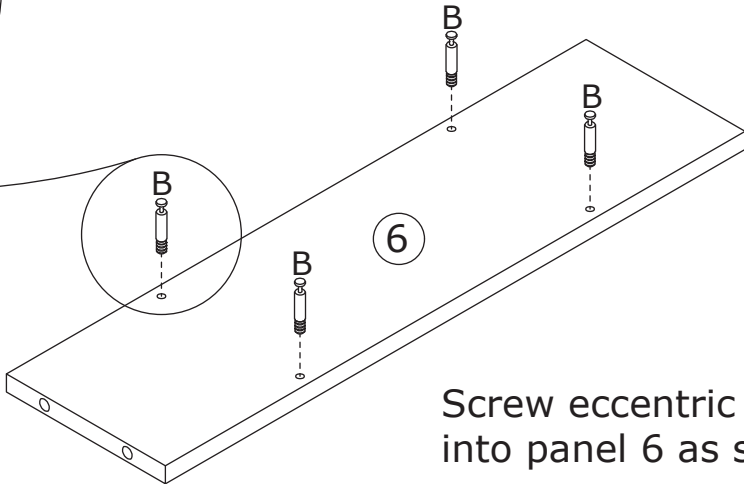
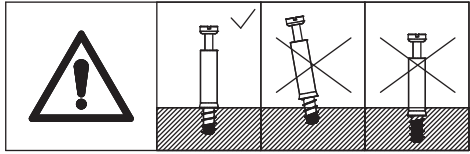
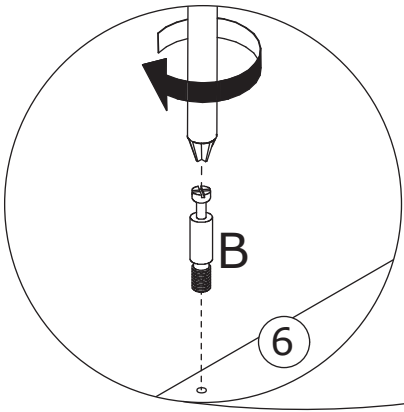
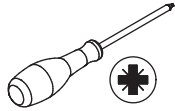
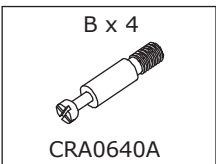
<p>B x 20 CRA0640A</p> 	<p>G x 8 CRD0312A</p> 	<p>J x 4</p> 	
<p>K x 1 CL WX0810A</p> 	<p>L x 1 CL WX0812A</p> 		

Knock foot pad(J) into panel 3 and 2 as shown.  
Screw eccentric rod(B) into panel 2 and 3 as shown.



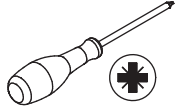
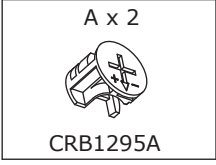
Fix rail(K) and (L) to panel 2 and 3 respectively with screw(G) as shown.

2

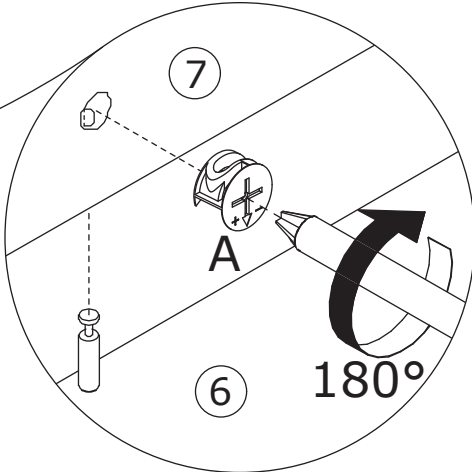
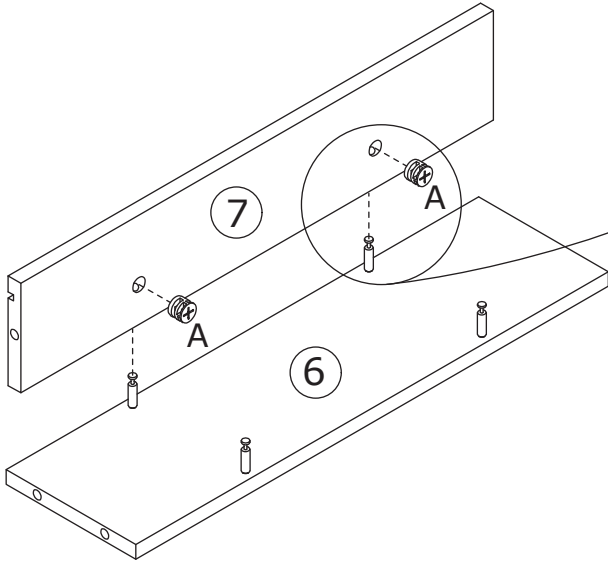
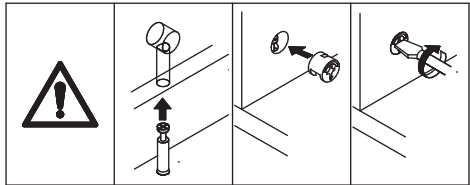


Screw eccentric rod(B) into panel 6 as shown.

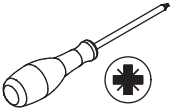
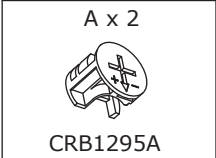
3



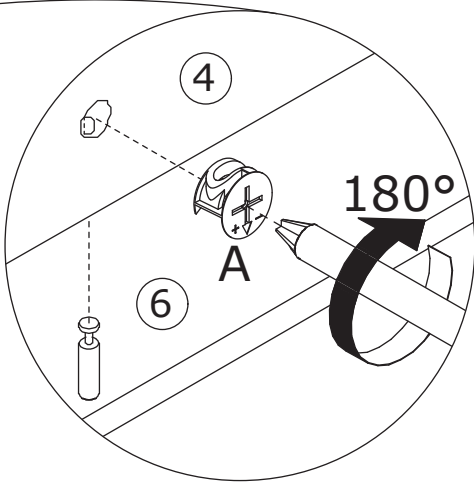
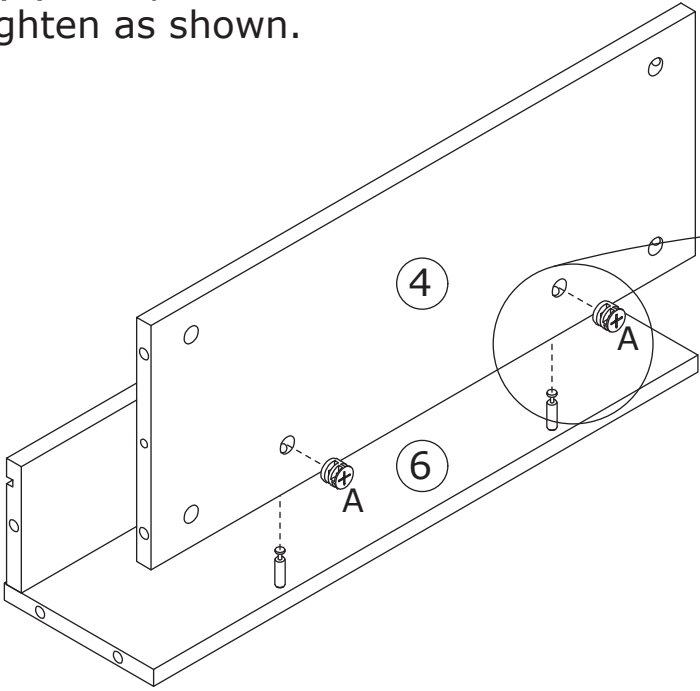
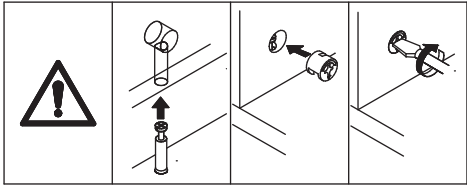
Connect panel 7 to panel 6, add cam lock(A) into panel 7 and turn clockwise to tighten as shown.



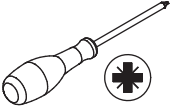
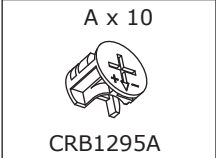
4



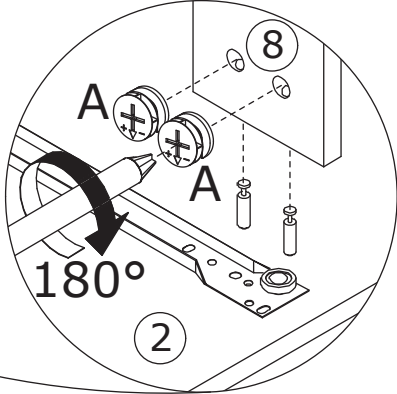
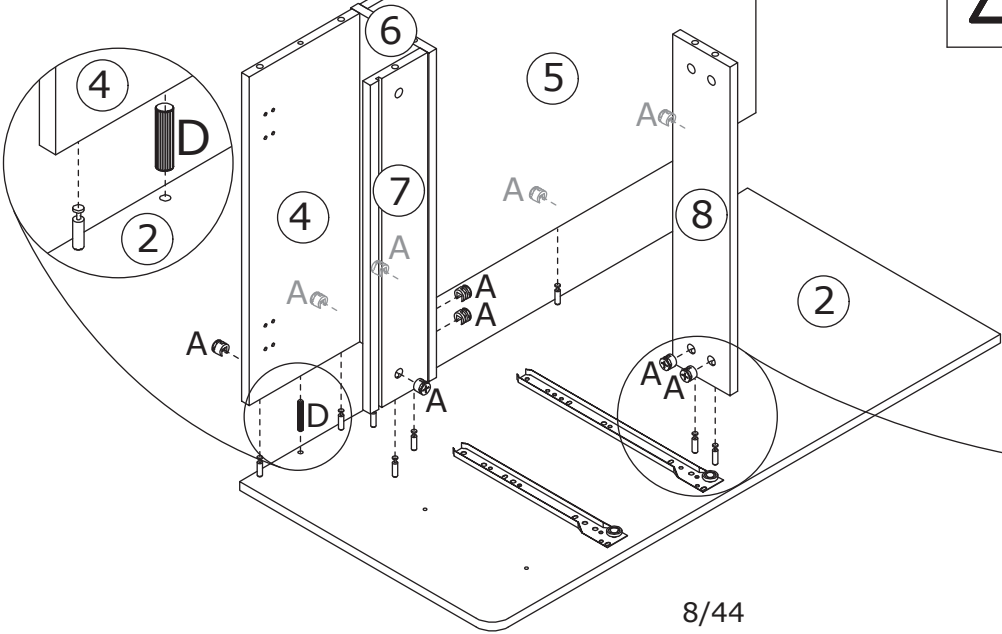
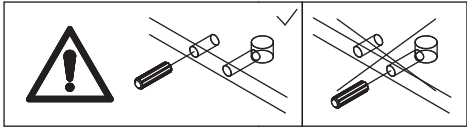
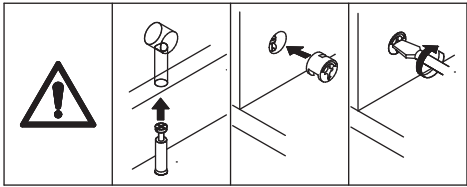
Connect panel 4 to panel 6, add cam lock(A) into panel 4 and turn clockwise to tighten as shown.



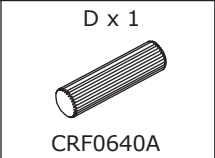
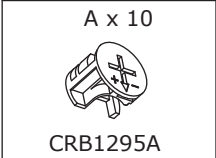
5



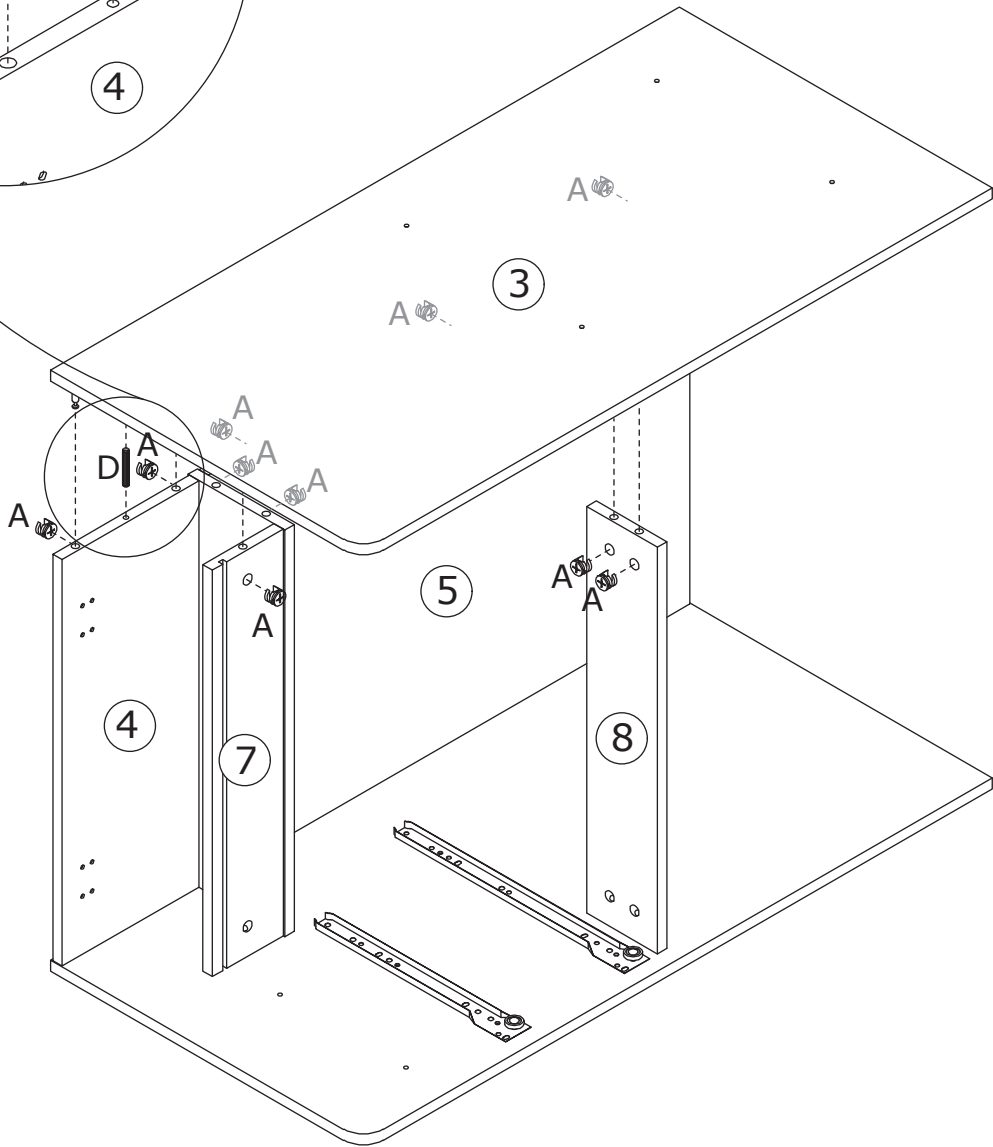
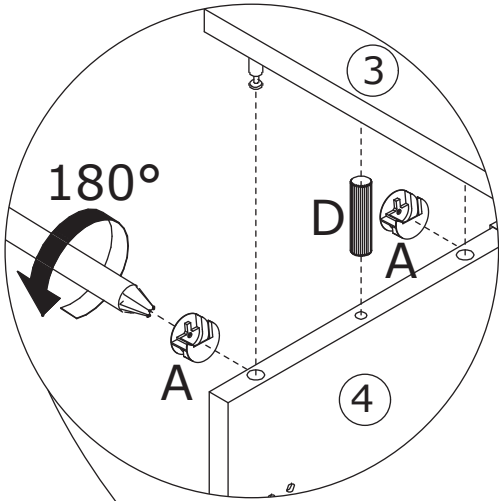
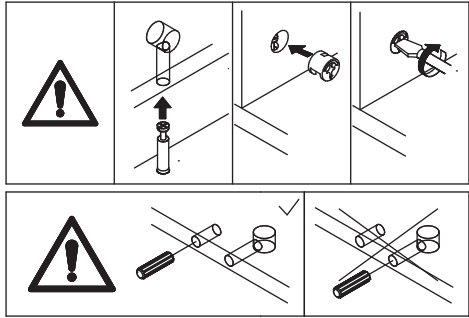
Insert wooden dowel(D) into panel 4 at first. Attach panel 4, 5, 6, 7 and 8 to panel 2, add cam lock(A) into panel 4,5,6,7,8 and turn clockwise to tighten as shown.



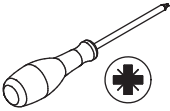
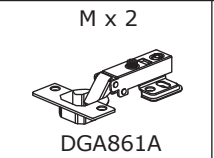
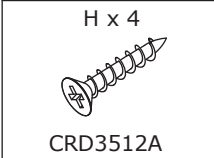
6



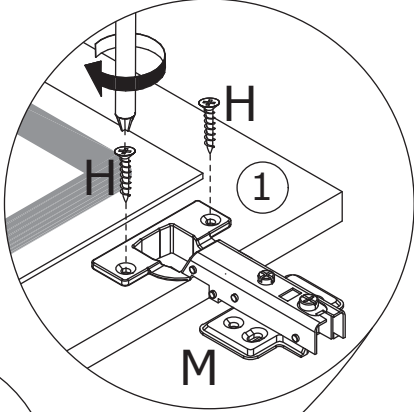
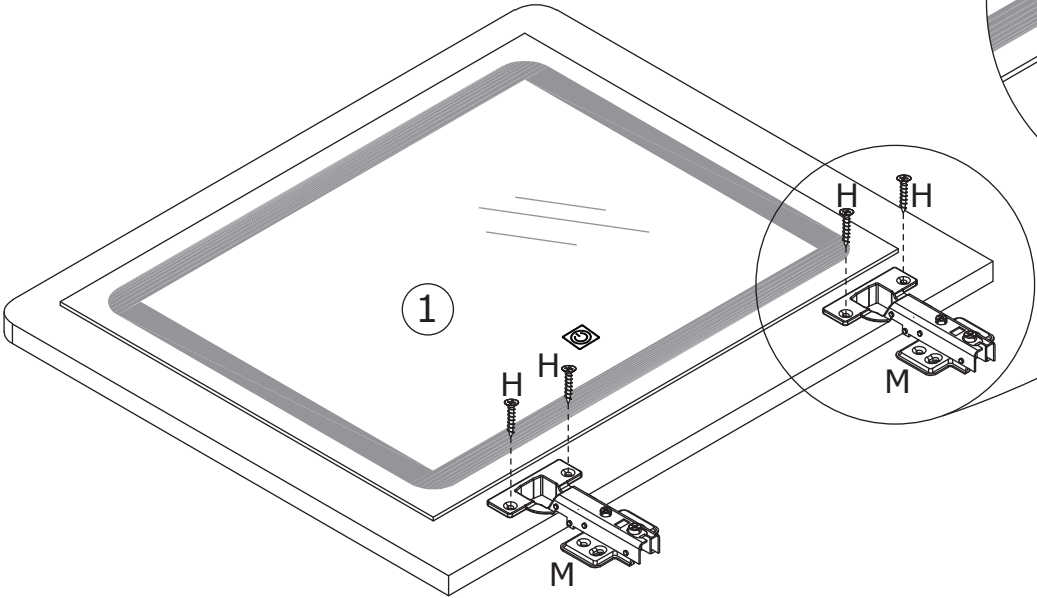
Insert wooden dowel(D) into panel 4 at first. Attach panel 3 to panel 4, 5, 6, 7 and 8, add cam lock(A) into panel 4,5,6,7,8 and turn clockwise to tighten as shown.



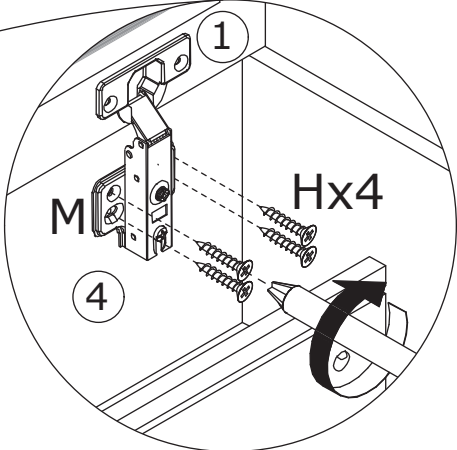
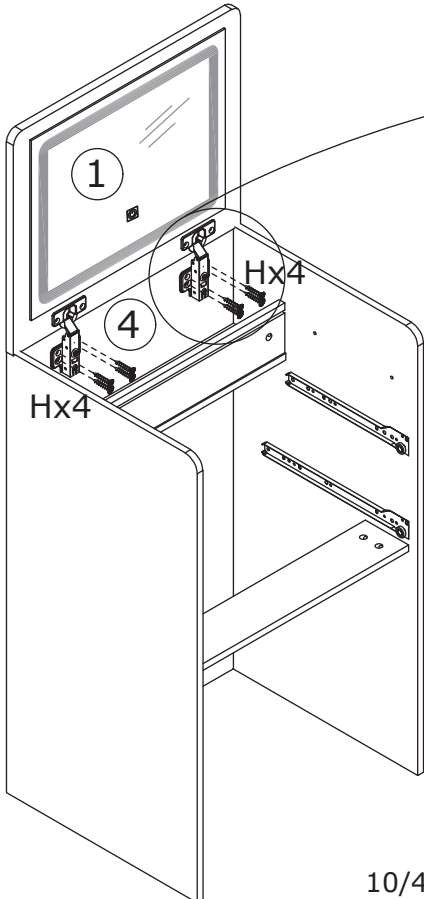
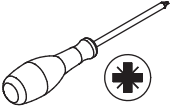
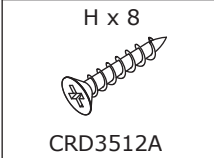
7



Fix hinge(M) to panel 1 with screw(H) as shown.



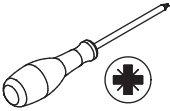
8



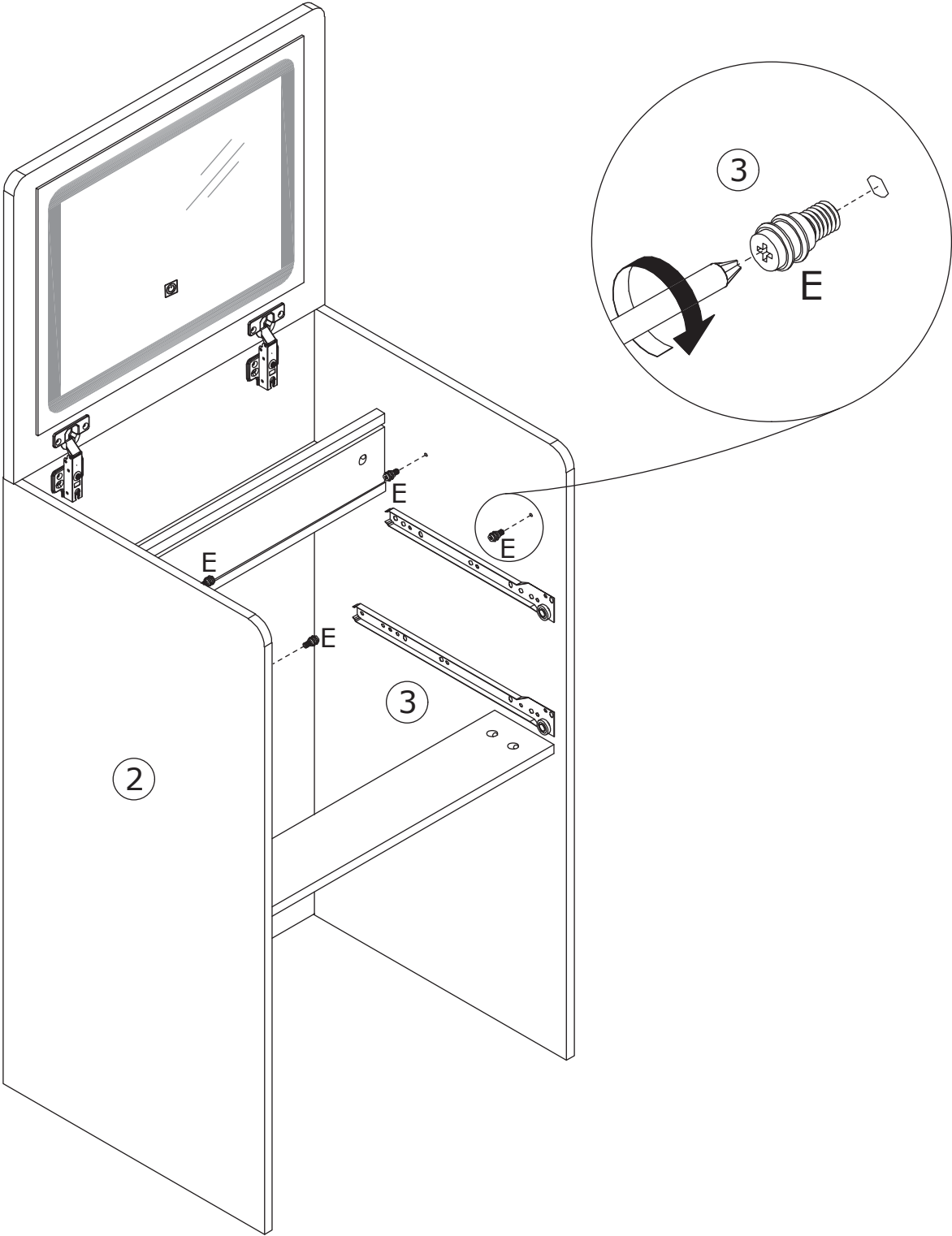
Attach panel 1 to panel 4 by fixing hinge with screw(H) as shown.

9

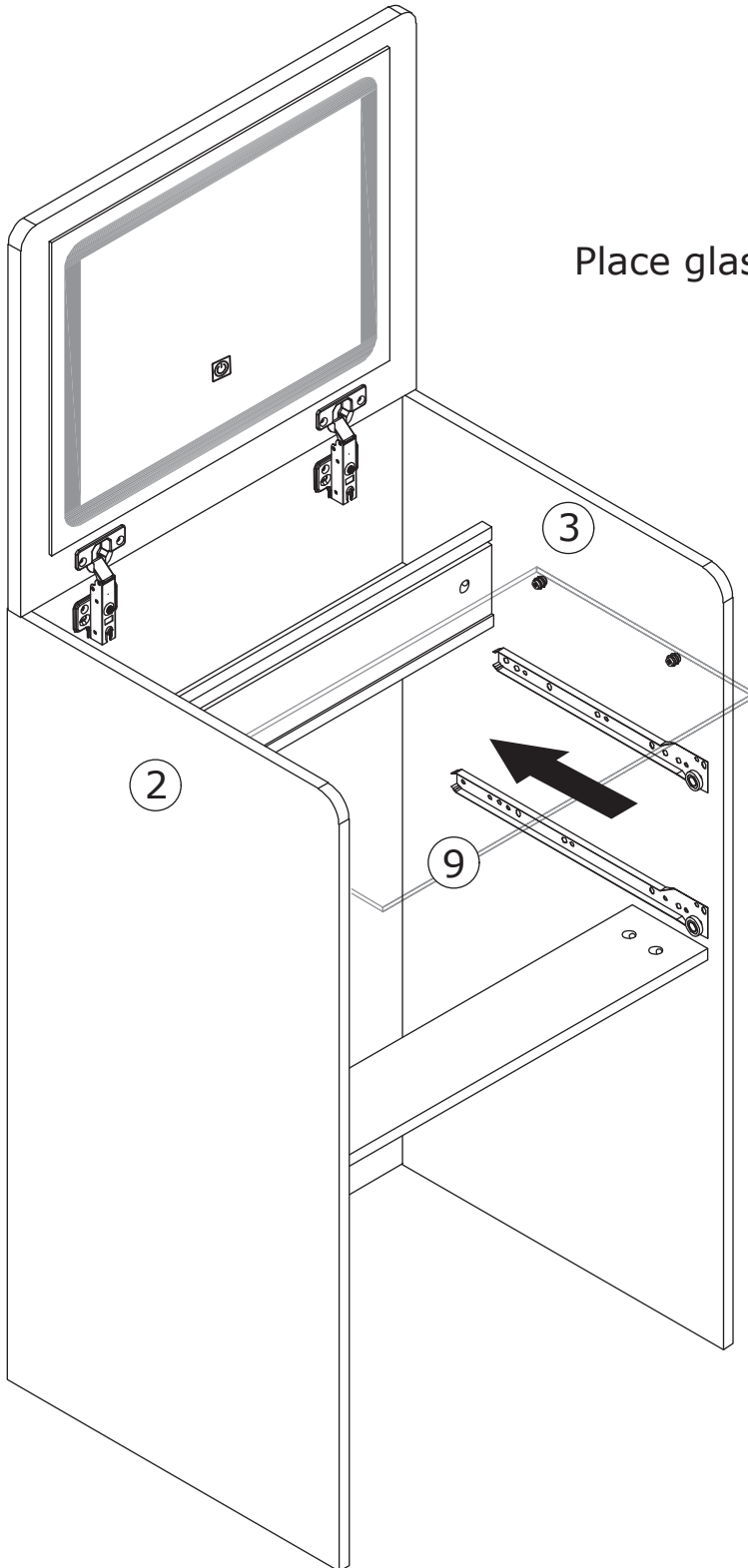
E x 4  
Ø8 x 18 mm



Screw part(E) into panel 2 and 3 as shown.

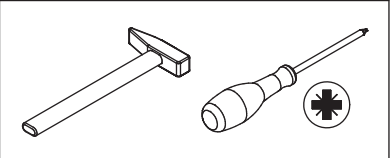
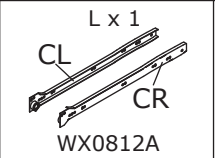
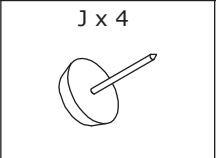
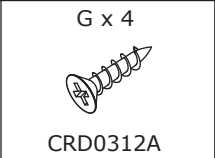


10

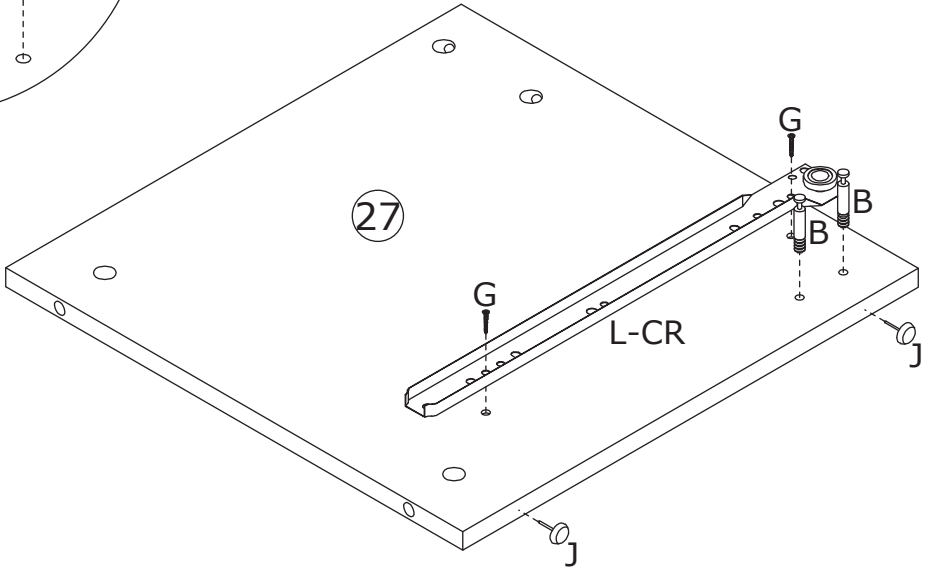
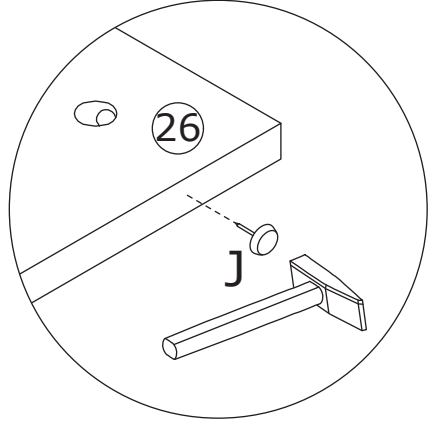
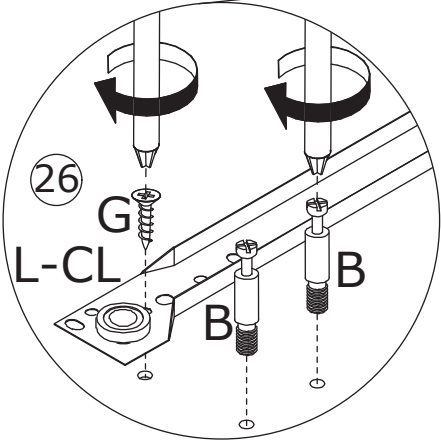
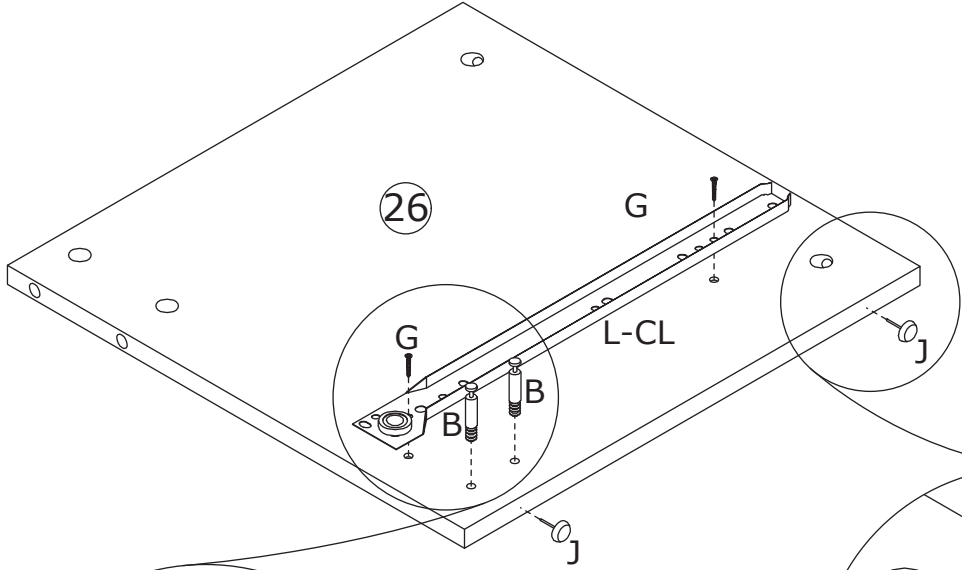
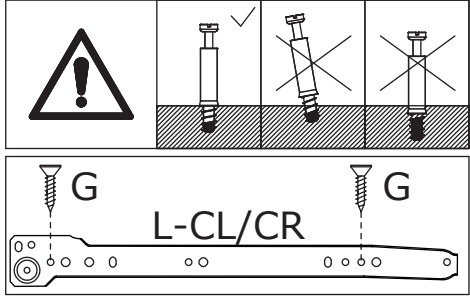


Place glass panel 9 as shown.

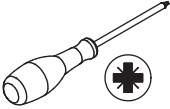
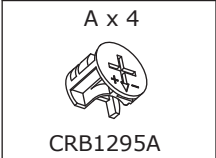
11



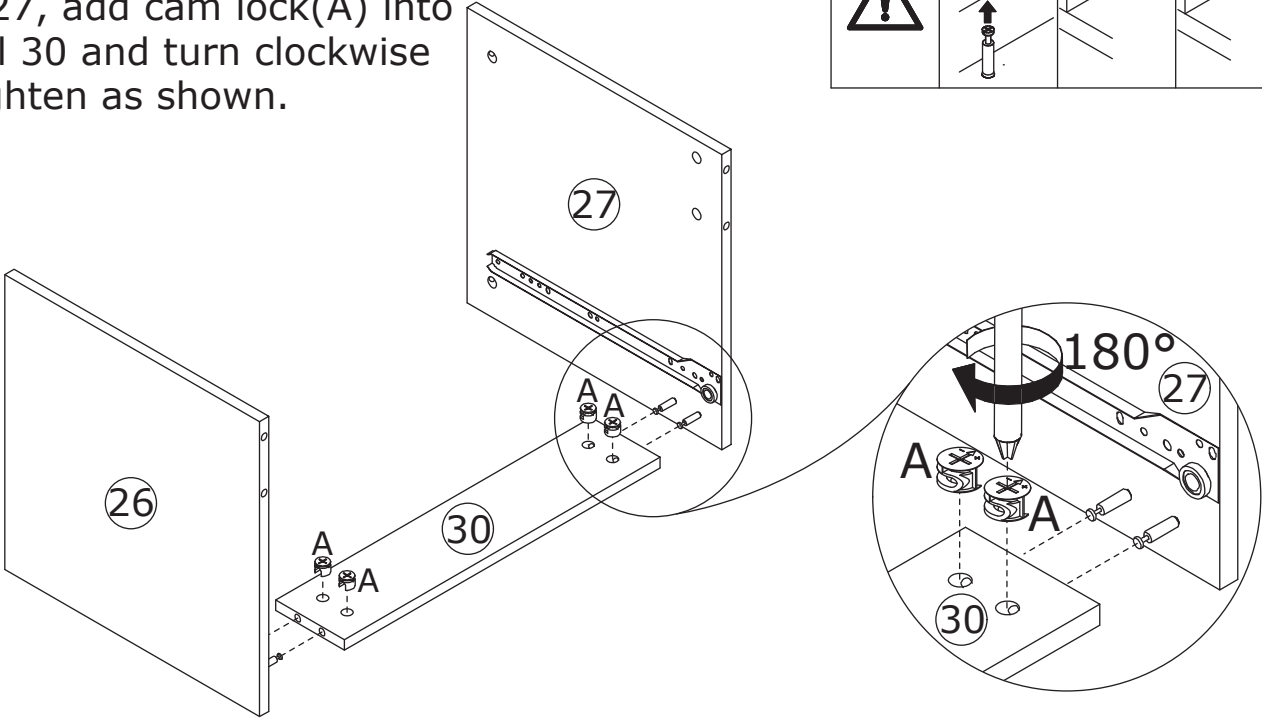
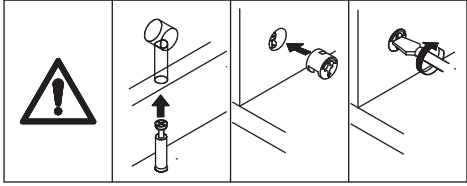
Screw eccentric rod(B) into panel 26 and 27 as shown.  
Fix rail(L) to panel 26 and 27 respectively with screw(G) as shown.  
Knock foot pad(J) into as shown.



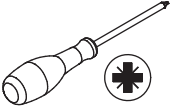
# 12



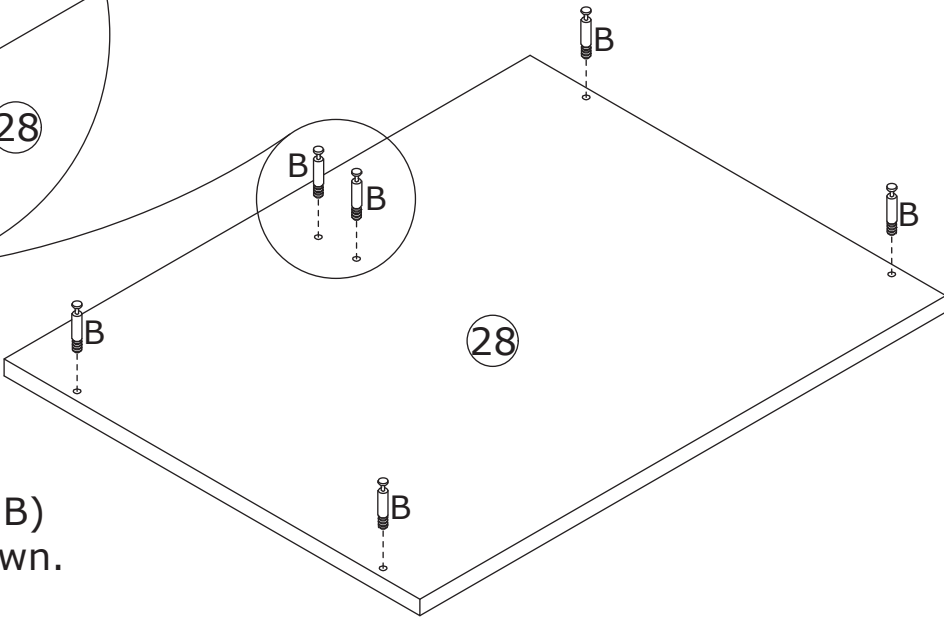
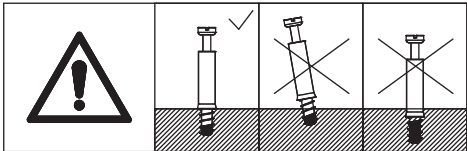
Attach panel 30 to panel 26 and 27, add cam lock(A) into panel 30 and turn clockwise to tighten as shown.



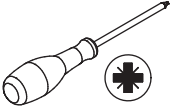
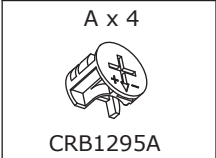
# 13



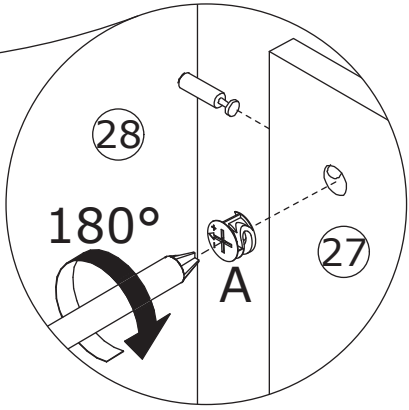
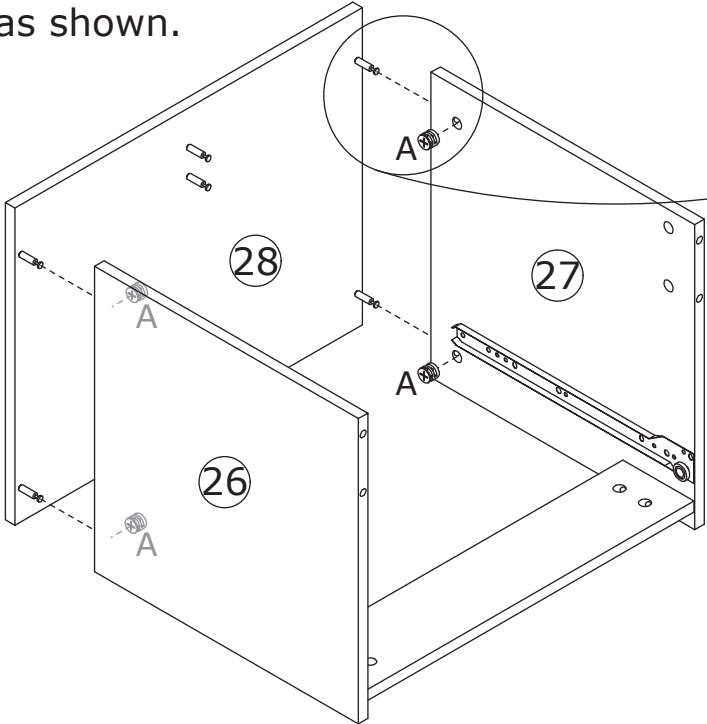
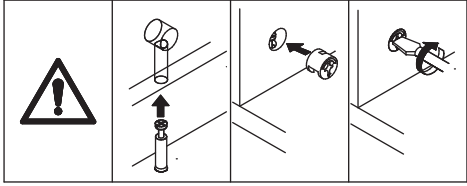
Screw eccentric rod(B) into panel 28 as shown.



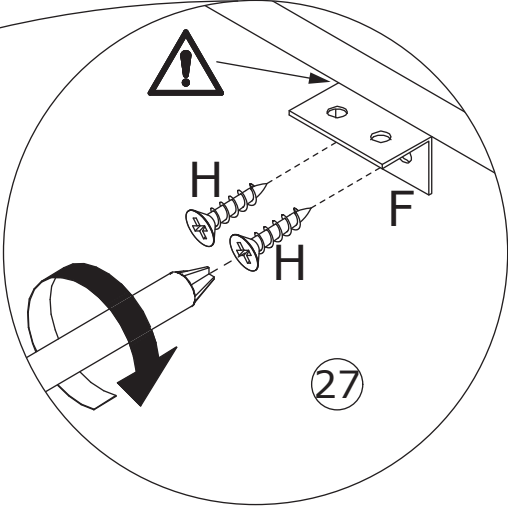
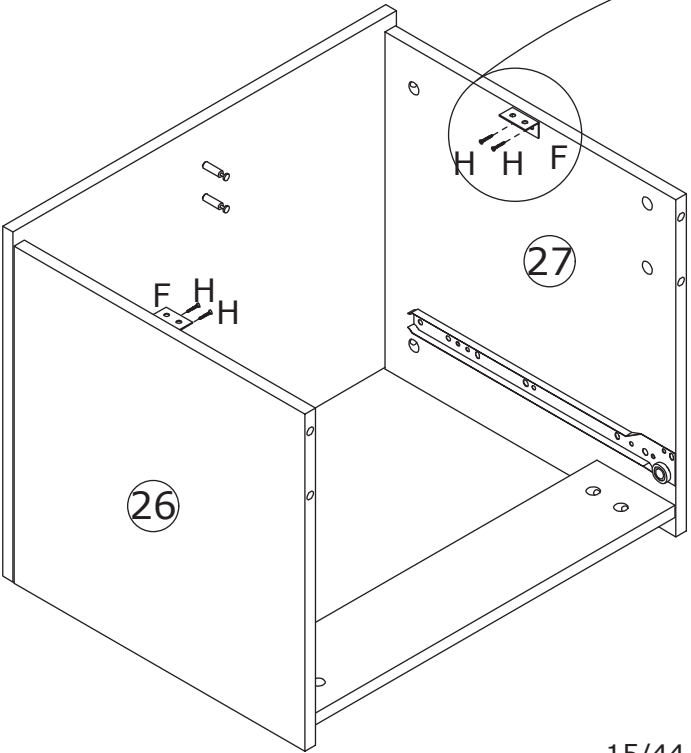
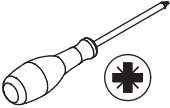
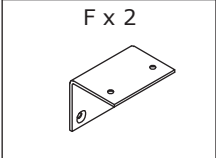
14



Attach panel 28 to panel 26 and 27, add cam lock(A) into panel 26,27 and turn clockwise to tighten as shown.



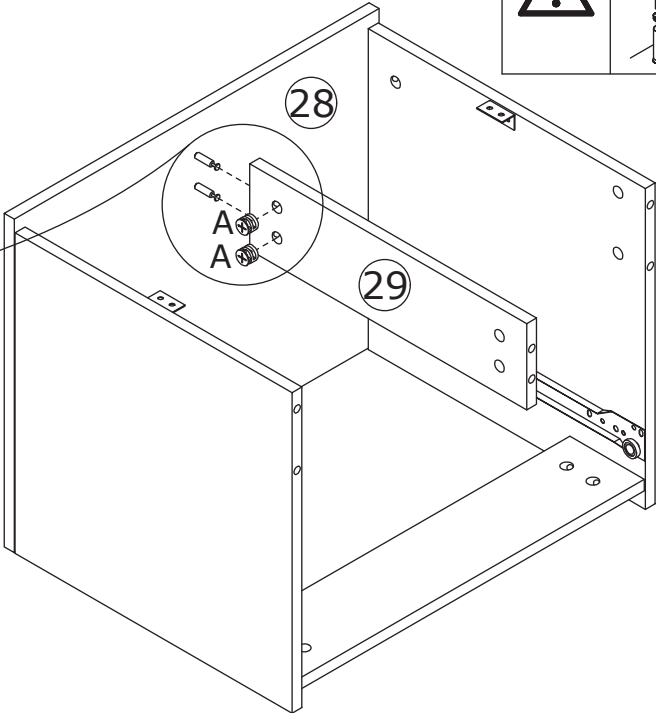
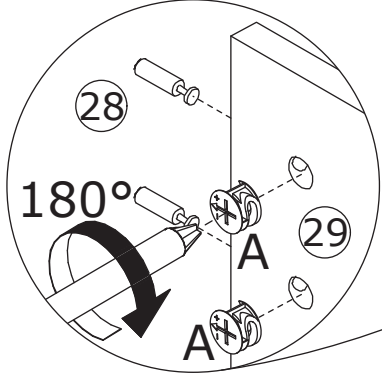
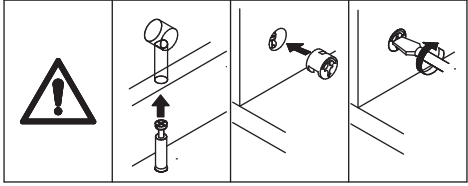
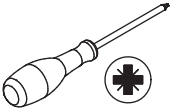
15



Fix part(F) to panel 26 and 27 with screw(H) as shown.

16

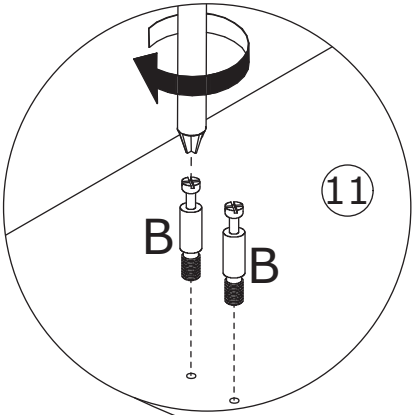
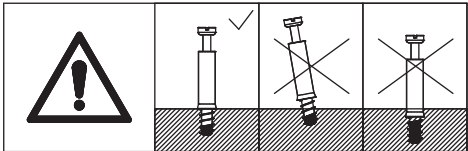
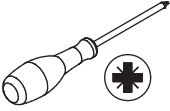
A x 2  
CRB1295A



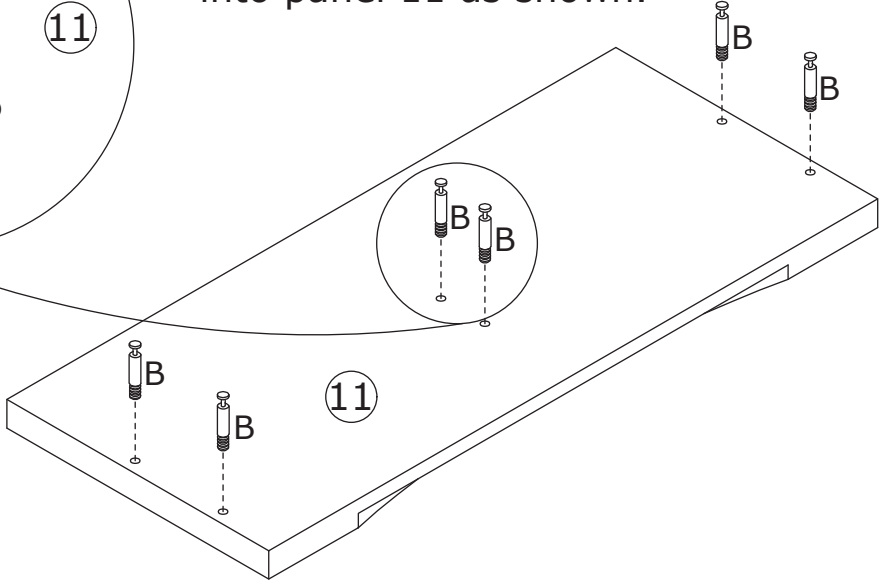
Attach panel 29 to panel 28, add cam lock(A) into panel 29 and turn clockwise to tighten as shown.

17

B x 6  
CRA0640A

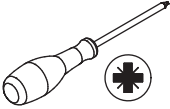


Screw eccentric rod(B) into panel 11 as shown.

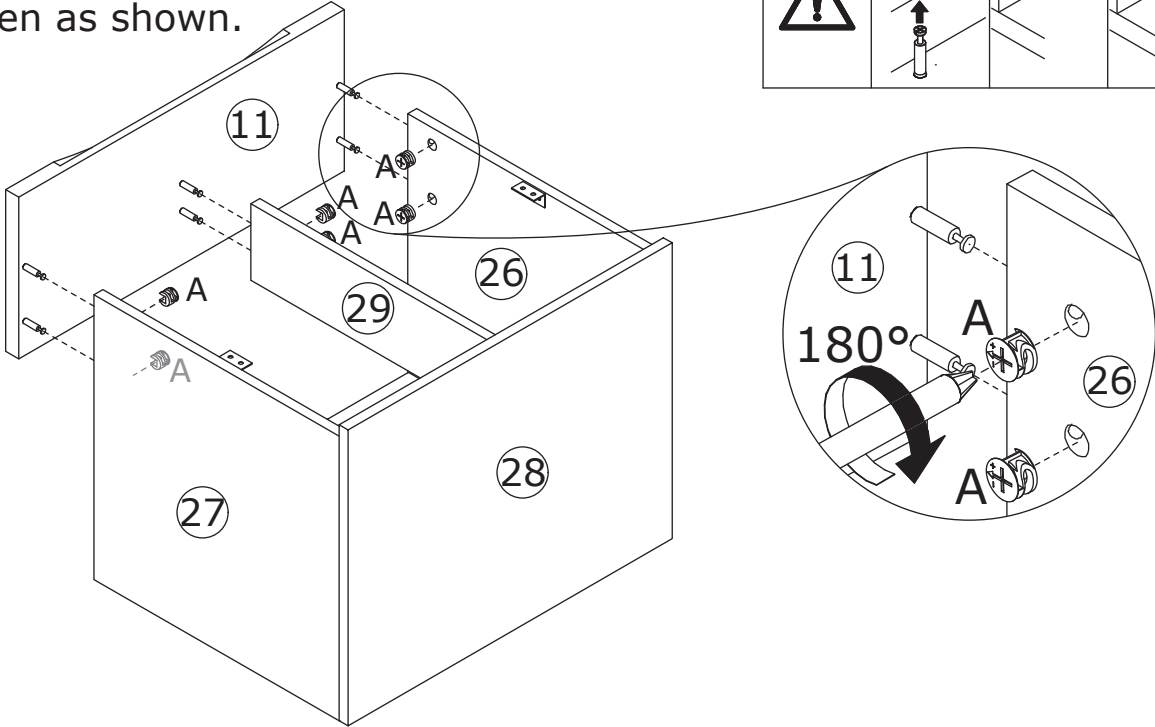
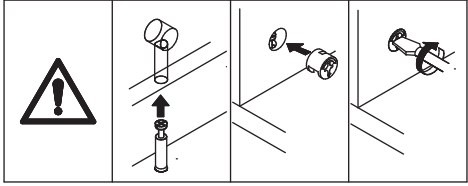


18

A x 6  
CRB1295A

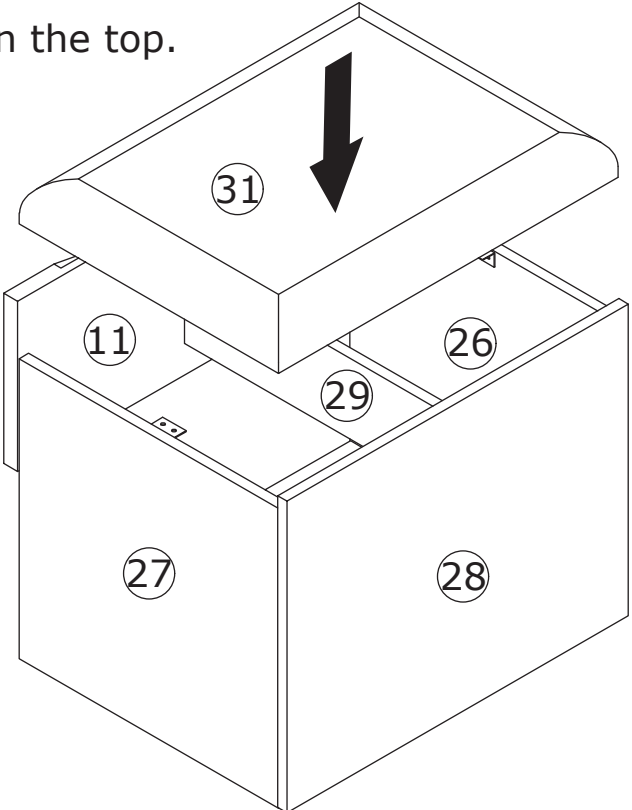


Attach panel 11 to panel 26, 29 and 27, add cam lock(A) into and turn clockwise to tighten as shown.

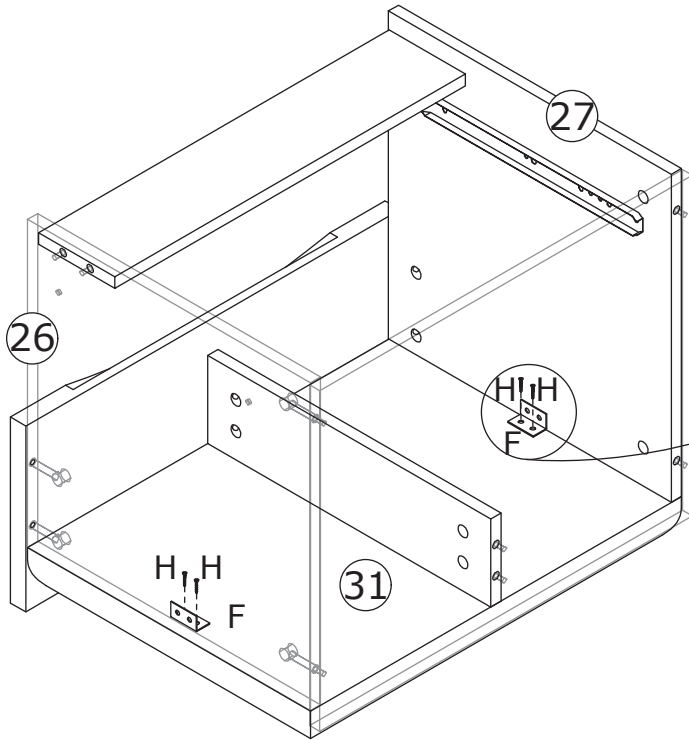
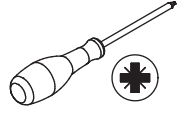


19

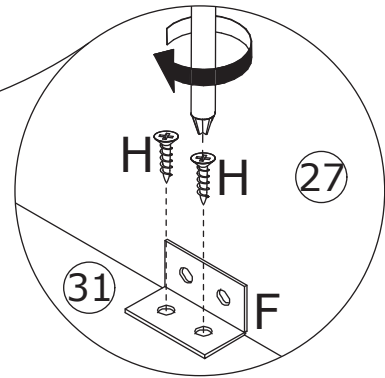
Place panel 31 on the top.



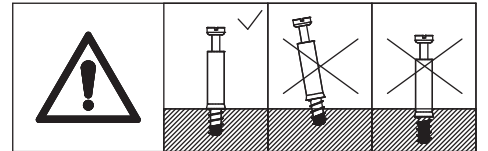
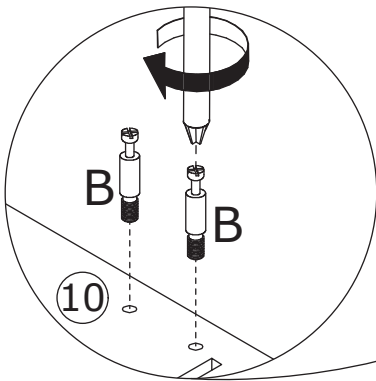
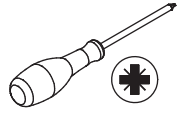
20



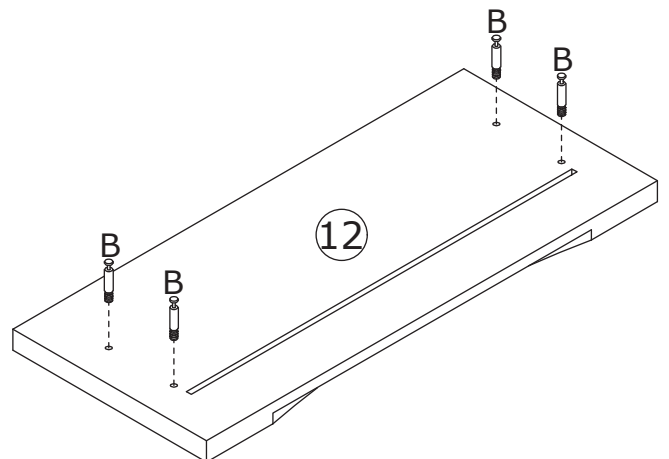
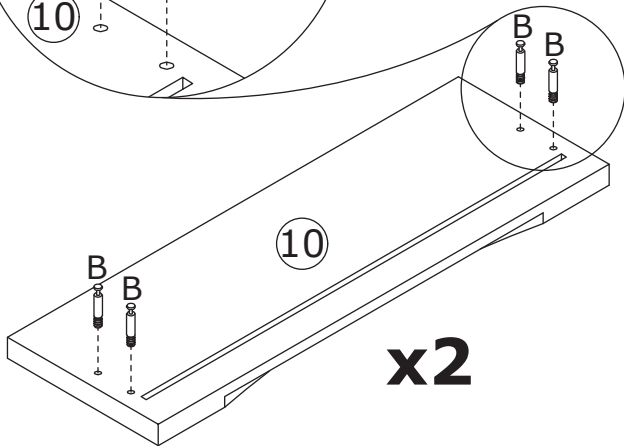
Flip stool.  
Fix panel 31 to part(F)  
with screw(H) as shown.



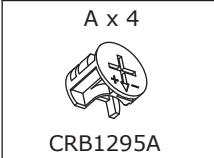
21



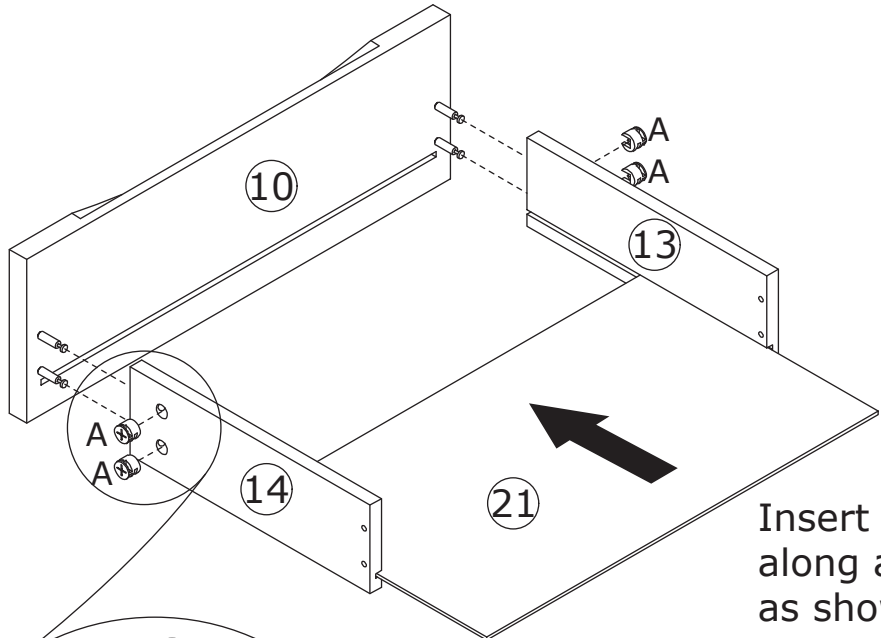
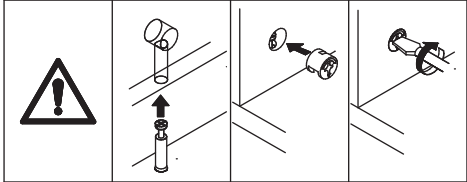
Screw eccentric rod(B)  
into panel 10 and 12  
as shown.



22

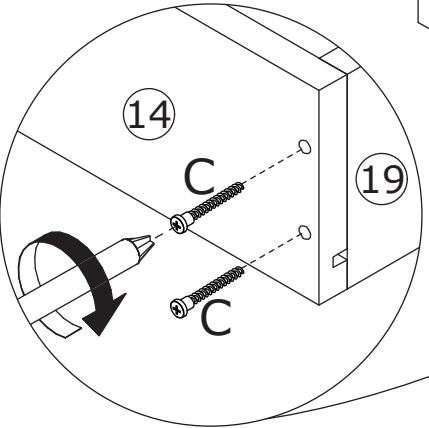
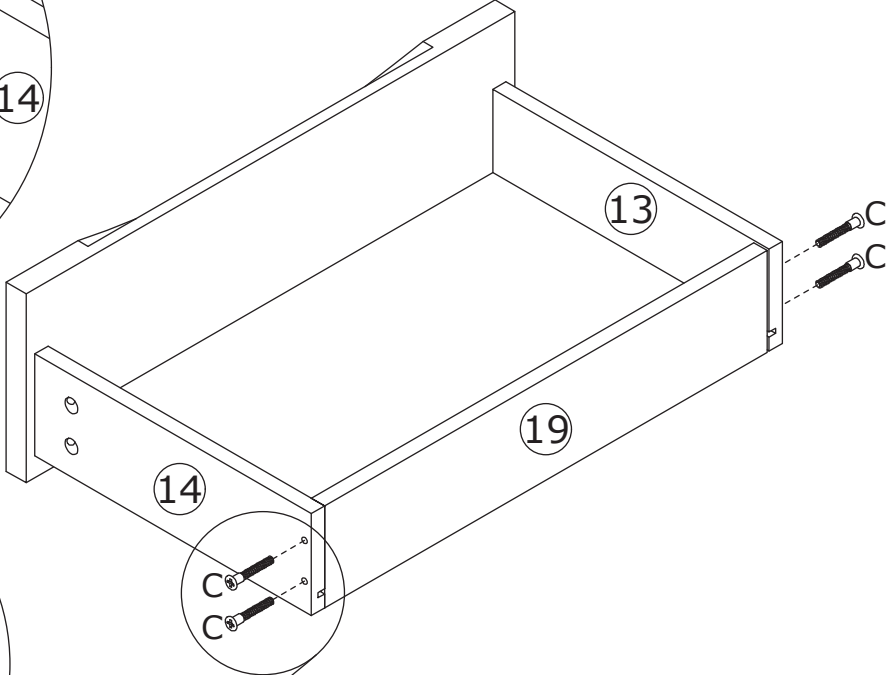
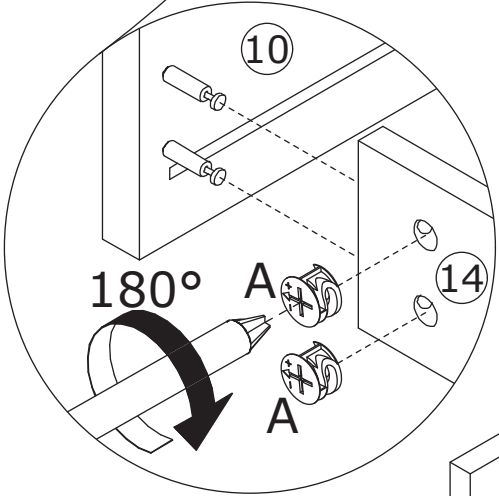


Attach panel 10 to panel 13 and 14, add cam lock(A) into and turn clockwise to tighten as shown.



Insert bottom panel 21 along available grooves as shown.

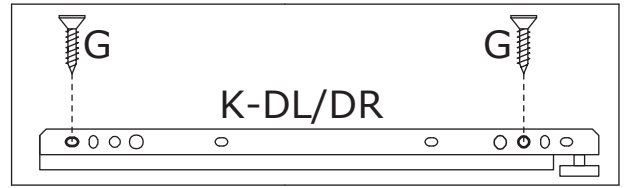
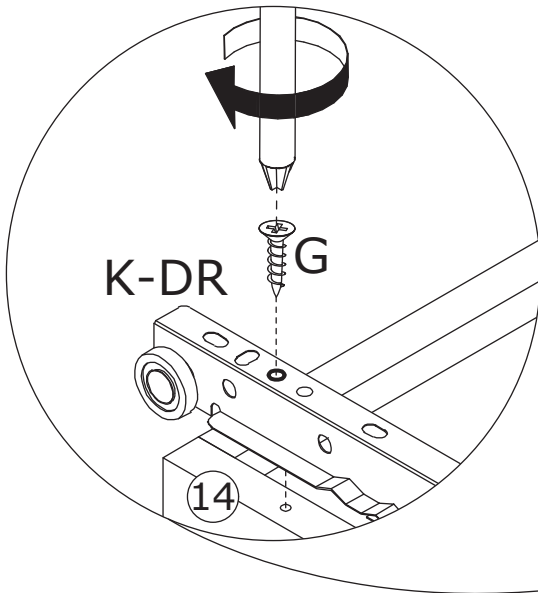
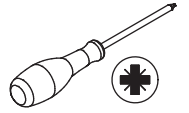
Fix panel 19 to panel 13 and 14 with screw(C) as shown.



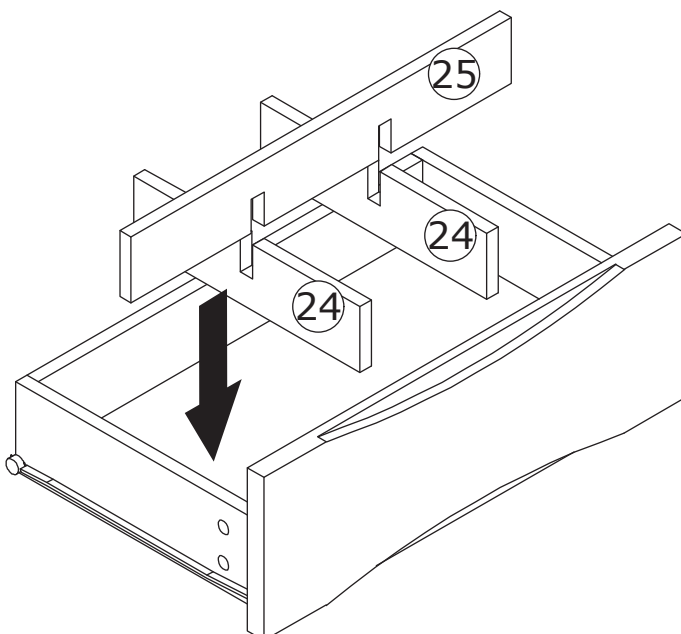
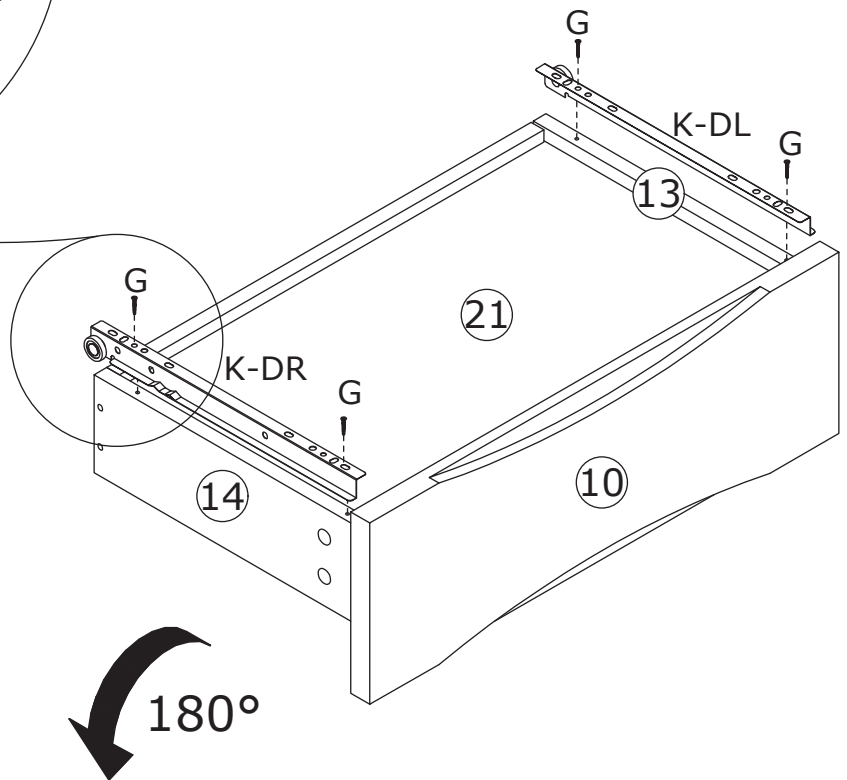
23

G x 4  
CRD0312A

K x 1  
DL  
DR  
WX0810A

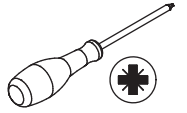
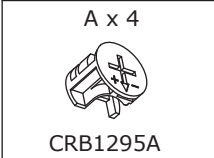


Fix track(K) to panel 13 and 14 with screw(G) as shown.

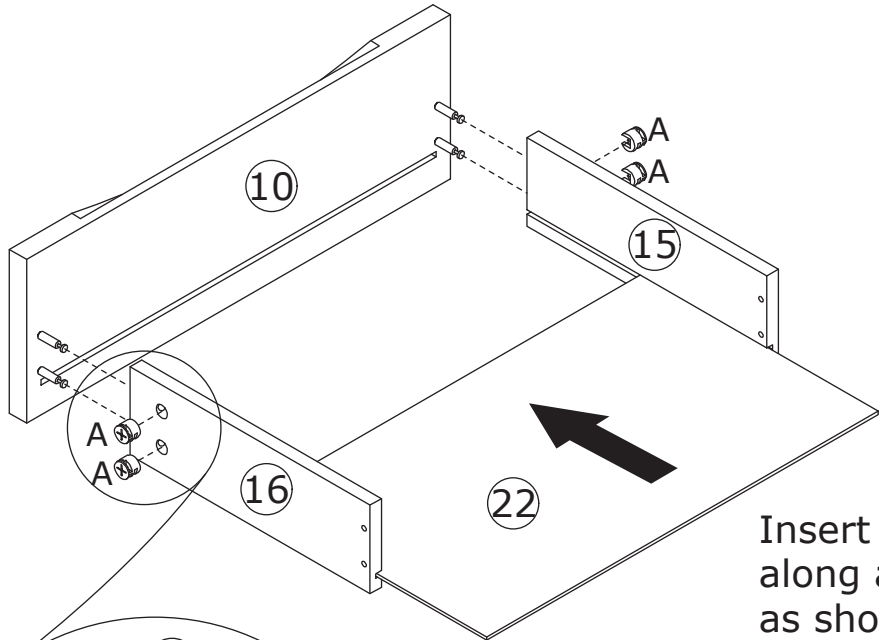
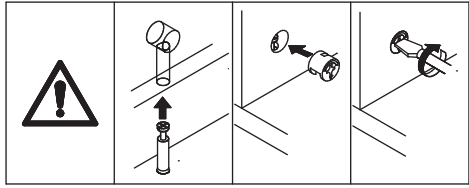


Place panel 24 and 25 into the drawer.

24

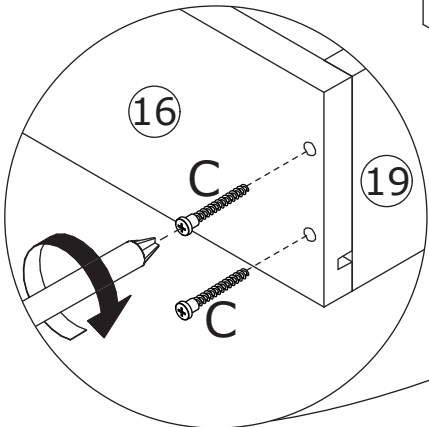
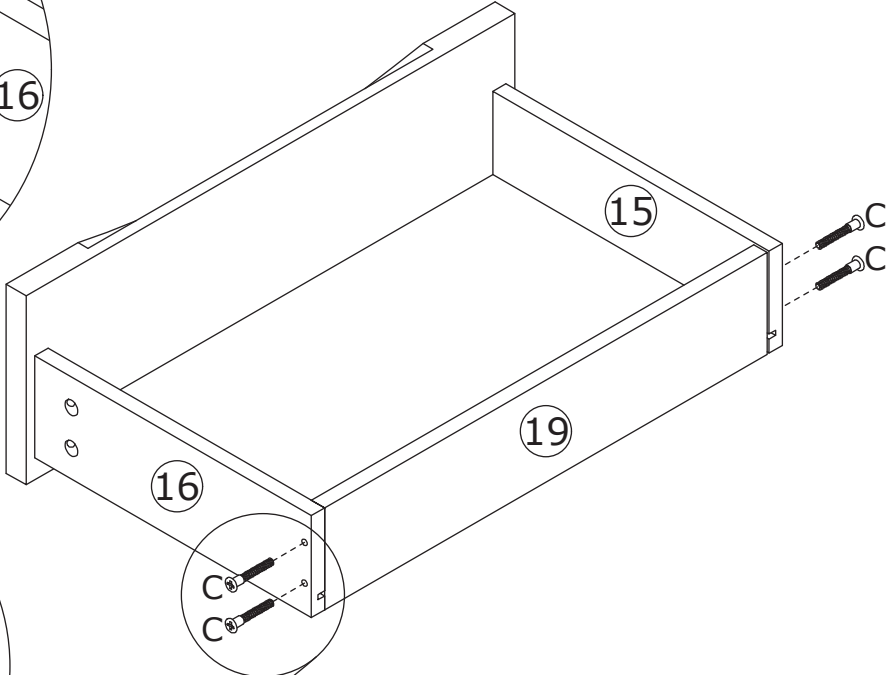
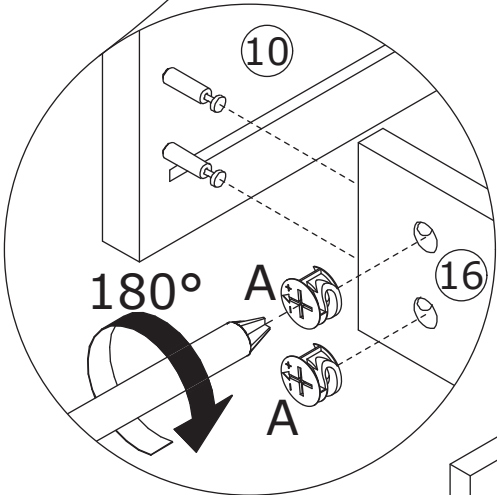


Attach panel 10 to panel 15 and 16, add cam lock(A) into and turn clockwise to tighten as shown.



Insert bottom panel 22 along available grooves as shown.

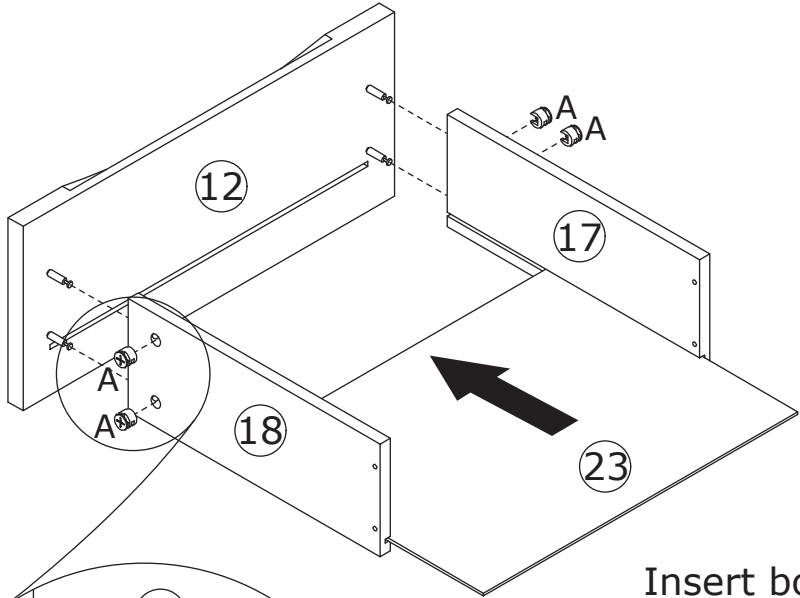
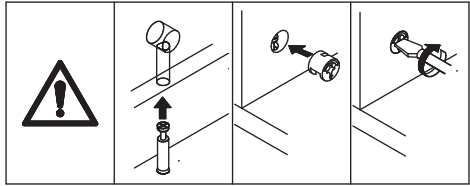
Fix panel 19 to panel 15 and 16 with screw(C) as shown.



# 25

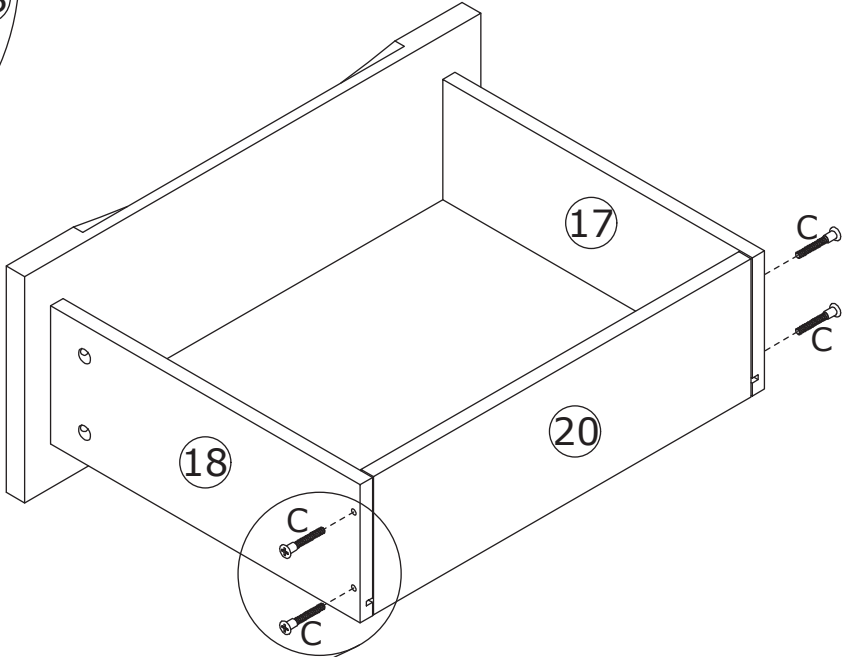
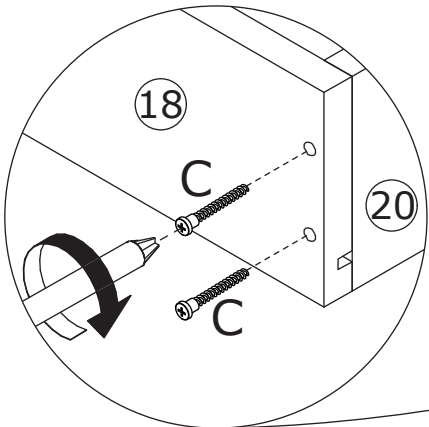
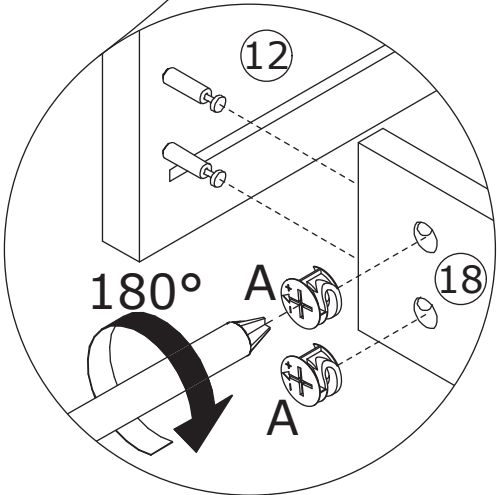


Attach panel 12 to panel 17 and 18, add cam lock(A) into and turn clockwise to tighten as shown.

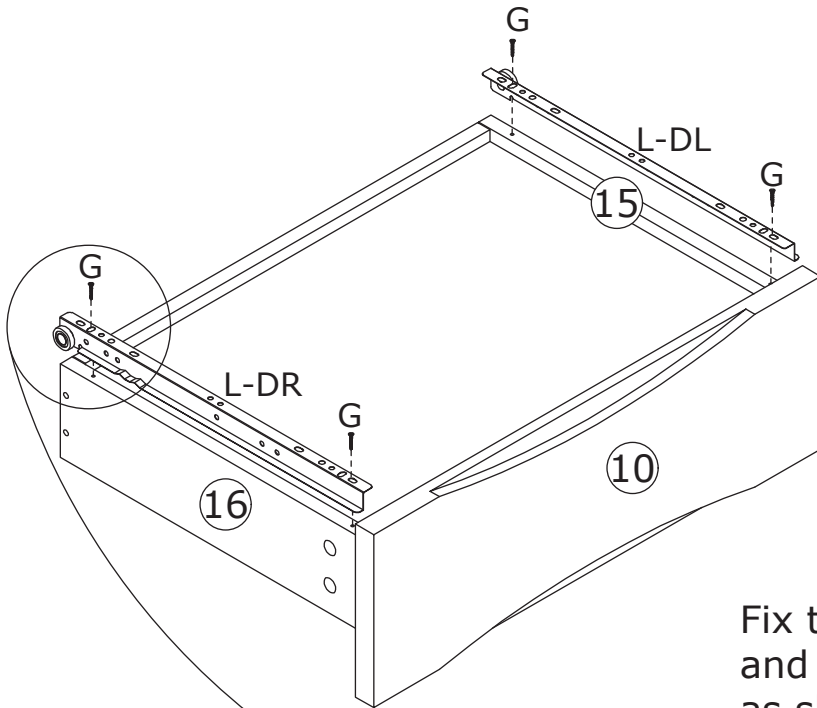
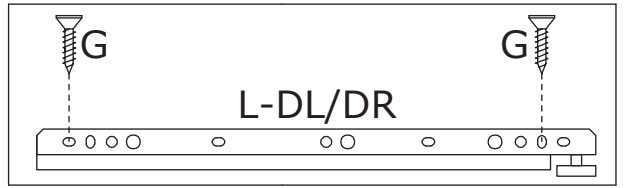
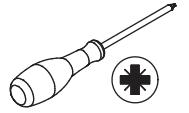
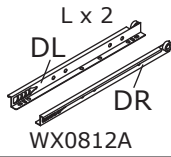


Insert bottom panel 23 along available grooves as shown.

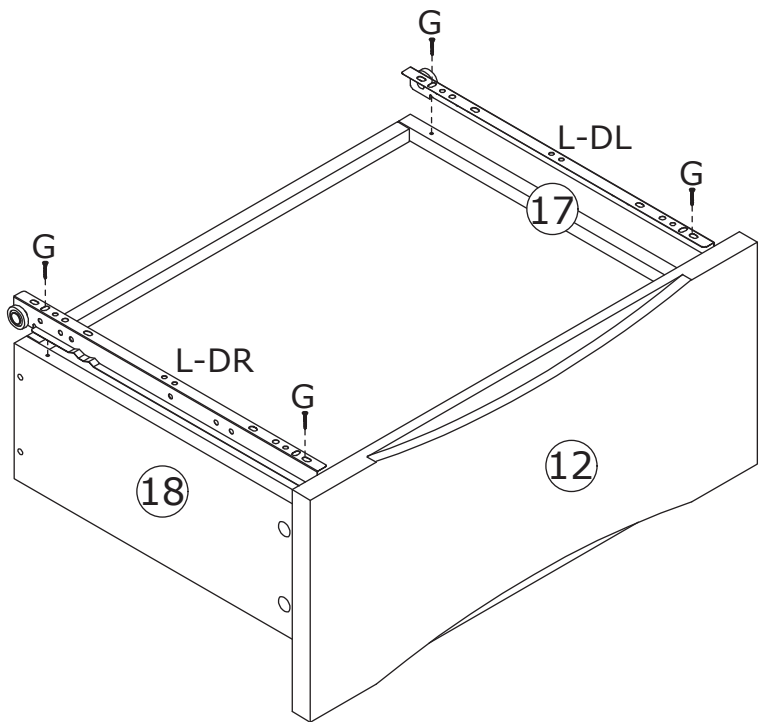
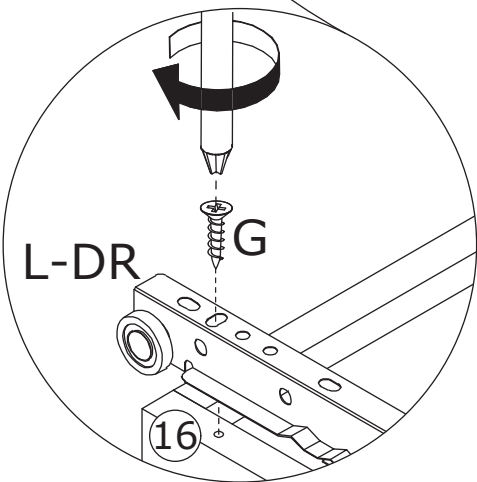
Fix panel 20 to panel 17 and 18 with screw(C) as shown.



26

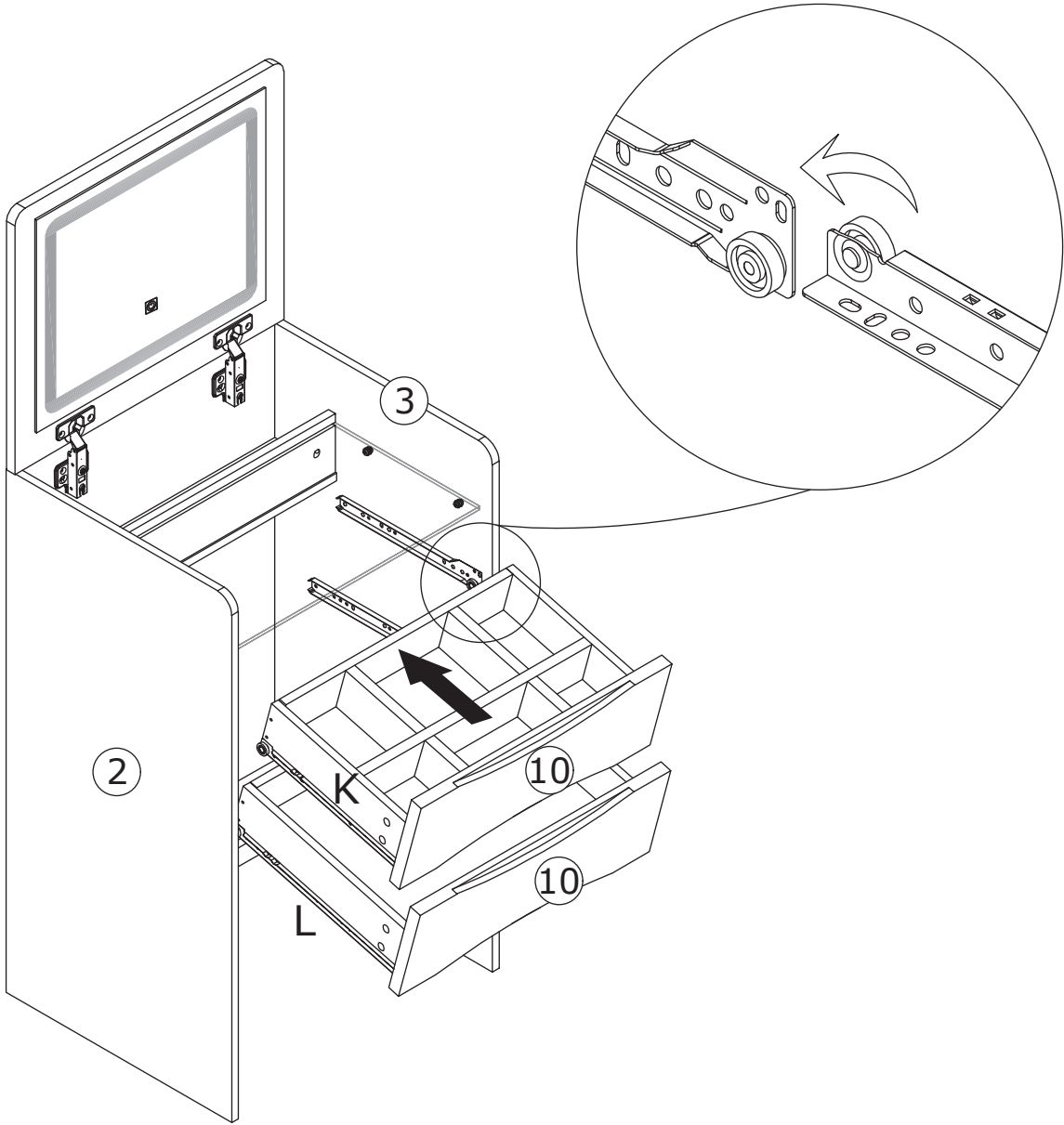


Fix track(L) to panel 15,16 and 17, 18 with screw(G) as shown.



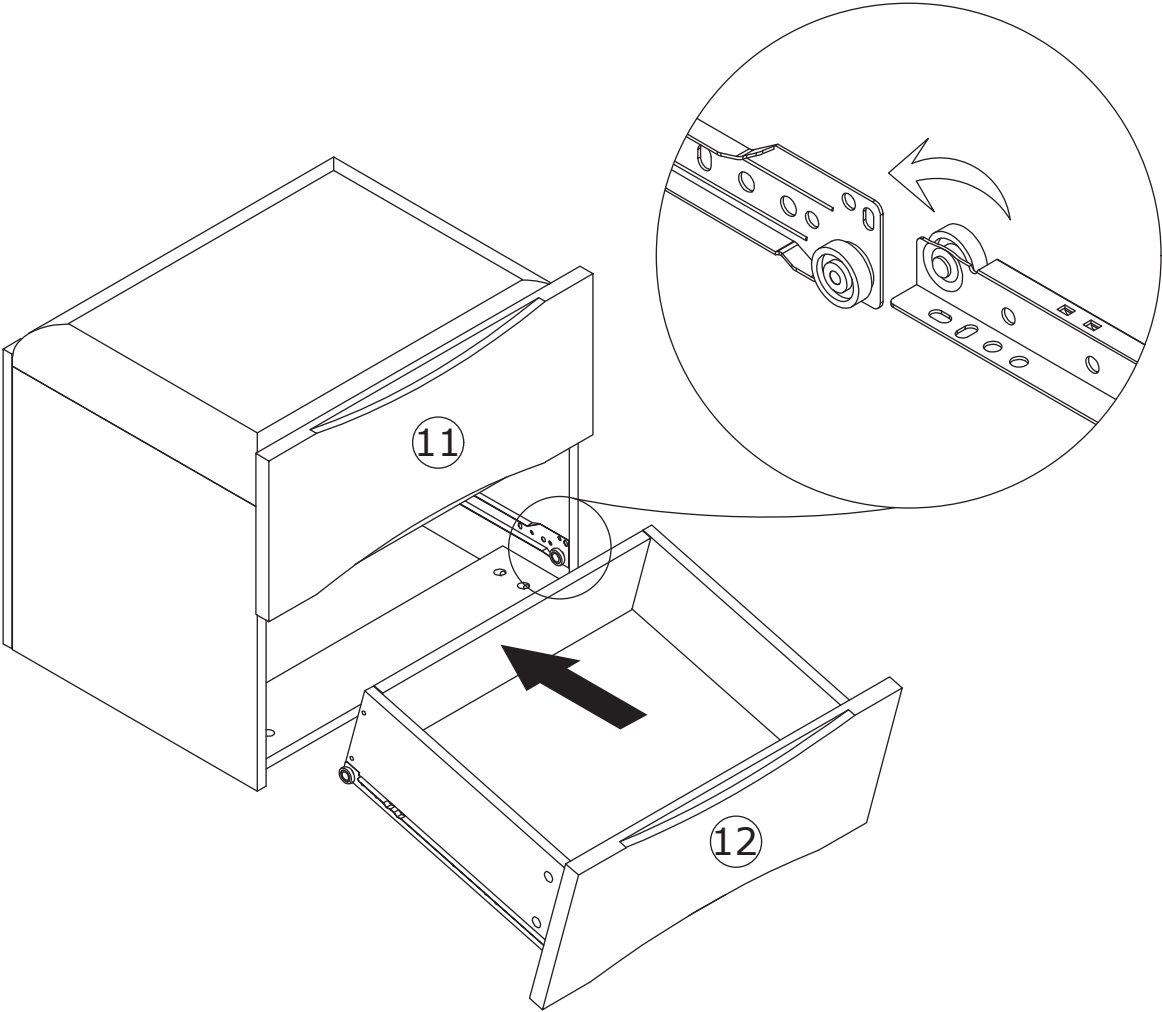
27

Align rails, slide drawers in.

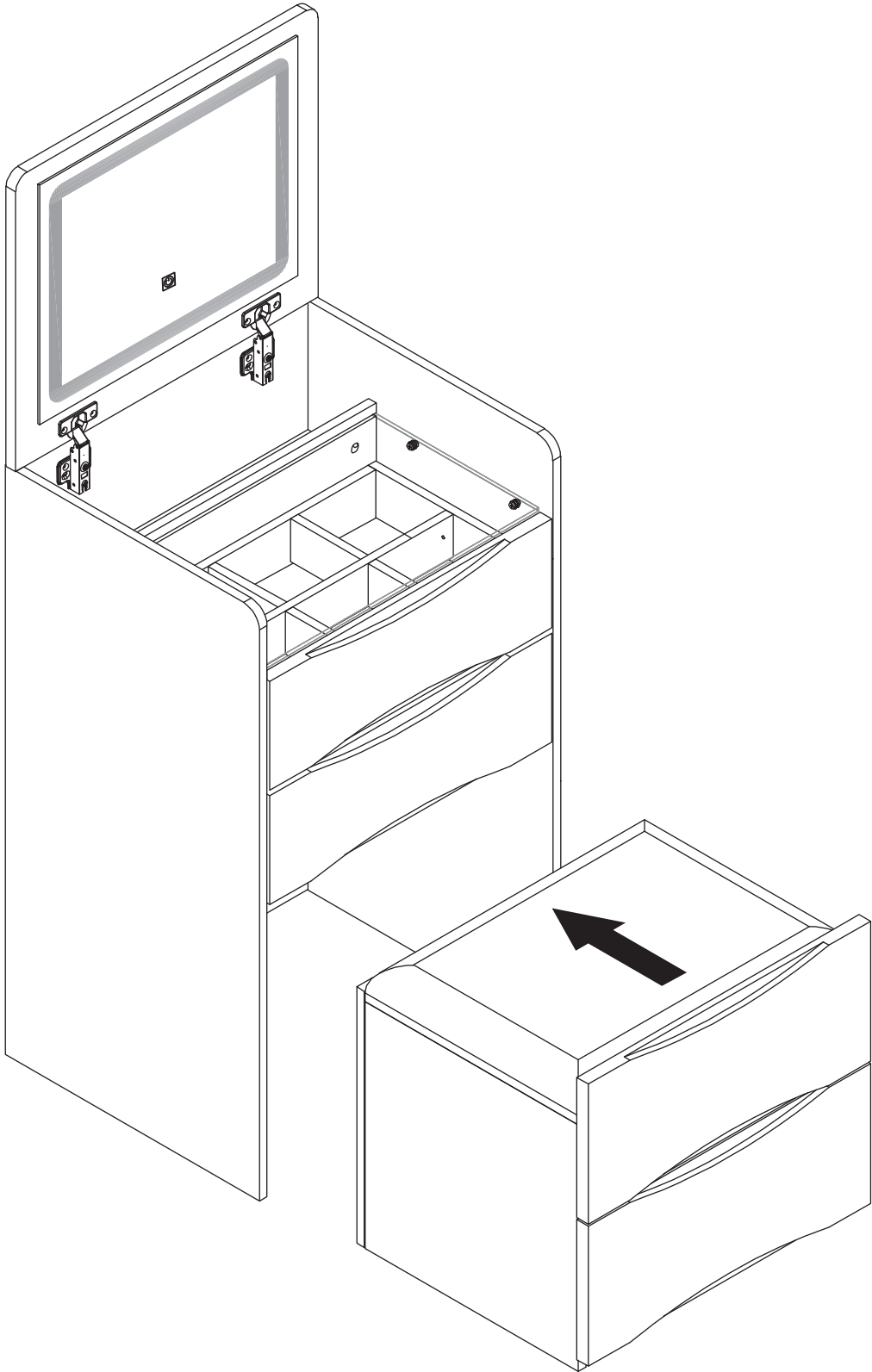




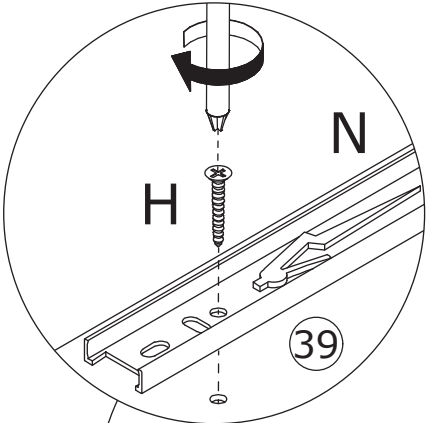
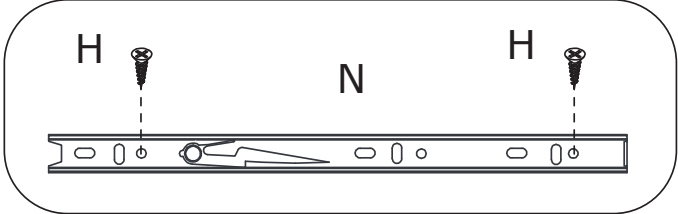
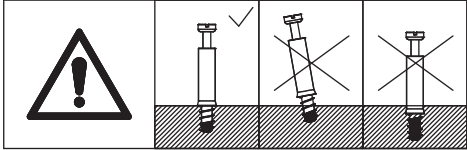
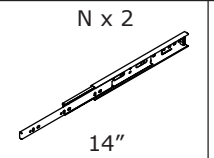
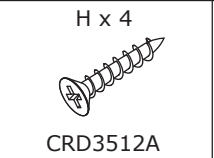
Align rails, slide drawers in.



29

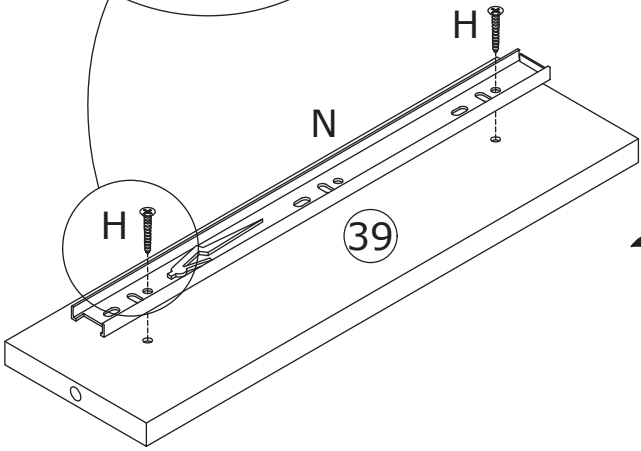


30

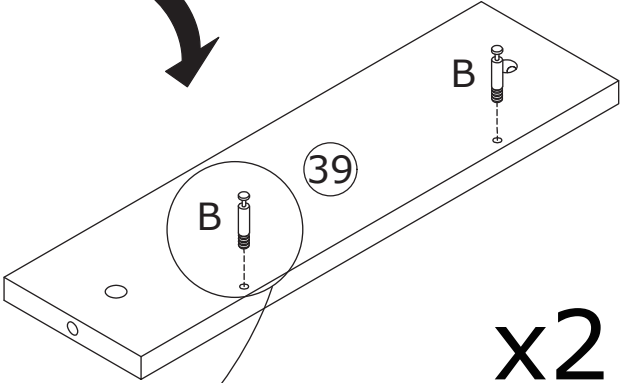


Fix track(N) to board 39 with screw(H) at first.

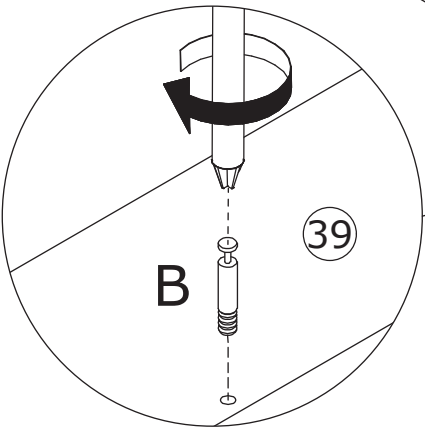
**Flip to back**, screw eccentric rod(B) into as shown.



180°

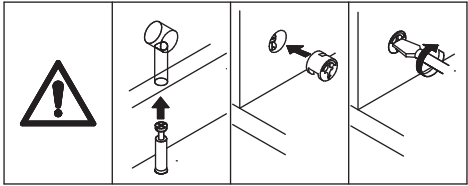
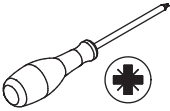


x2

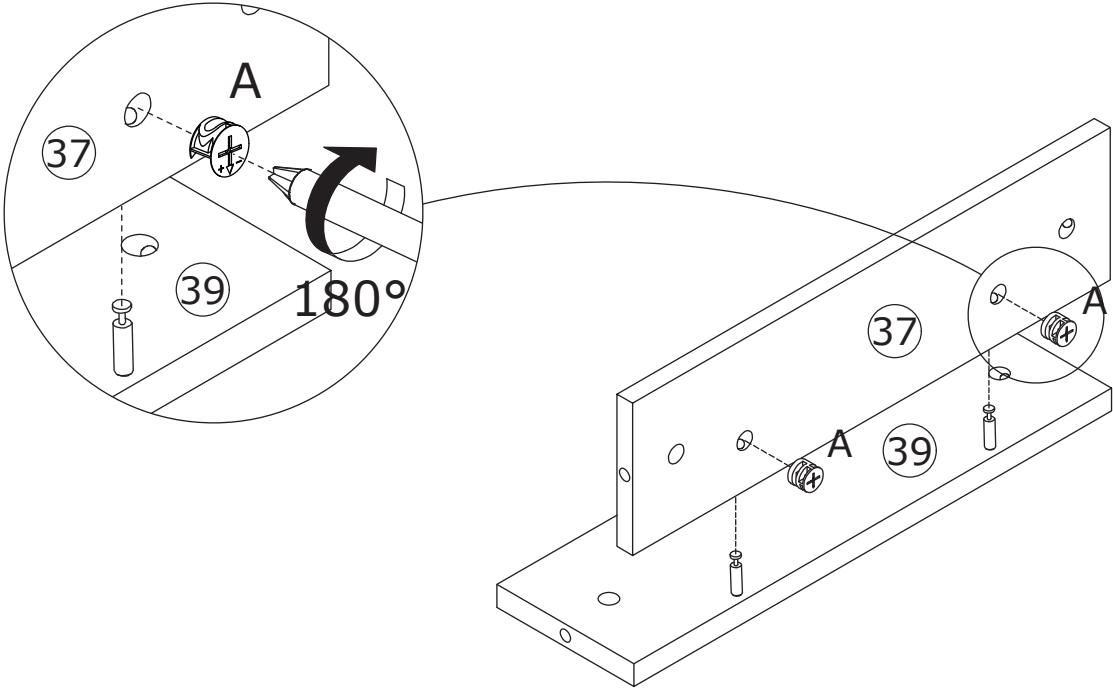


30

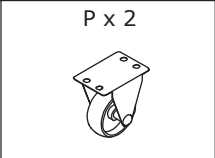
A x 2  
CRB1295A



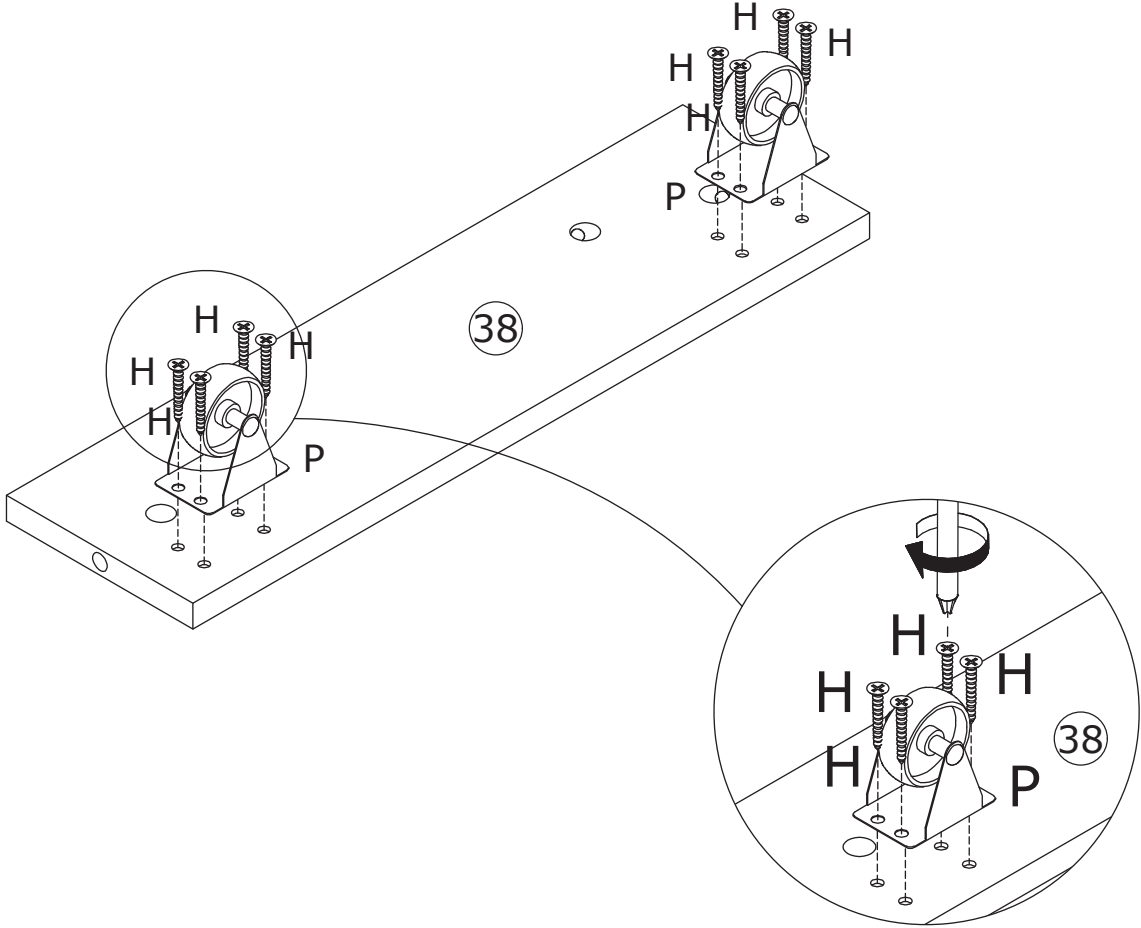
Attach board 37 to board 39, add cam lock(A) into and turn clockwise to tighten as shown.



31

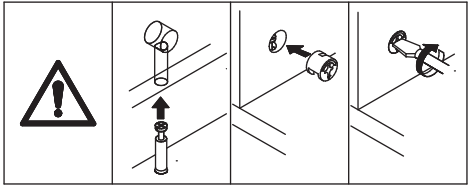
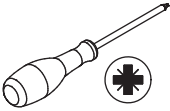


Fix wheel(P) to board 38 with screw(H) as shown.

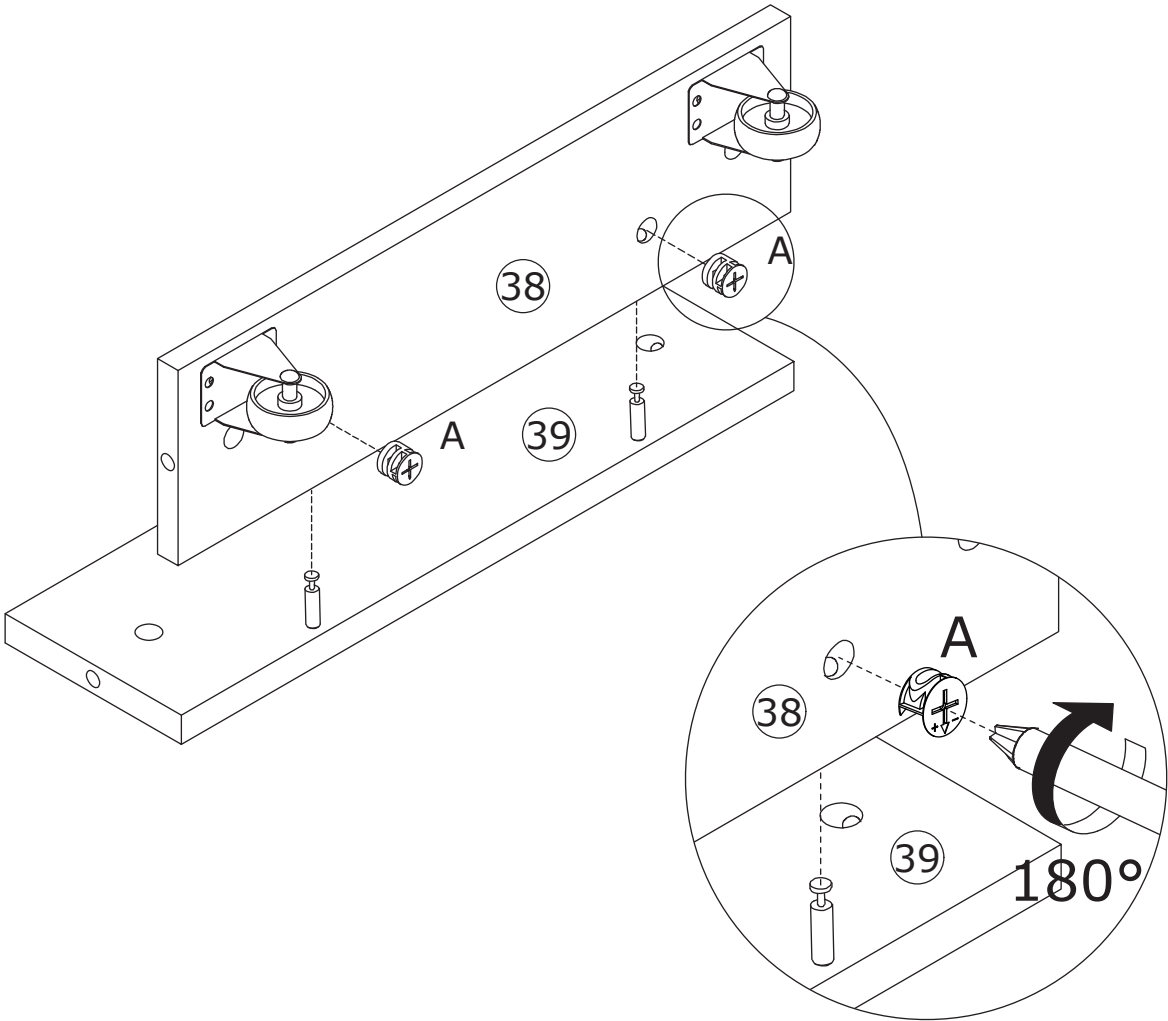


32

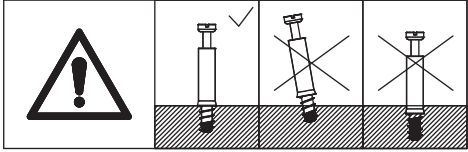
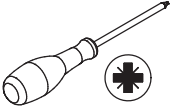
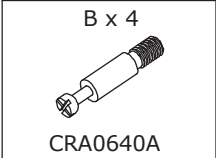
A x 2  
CRB1295A



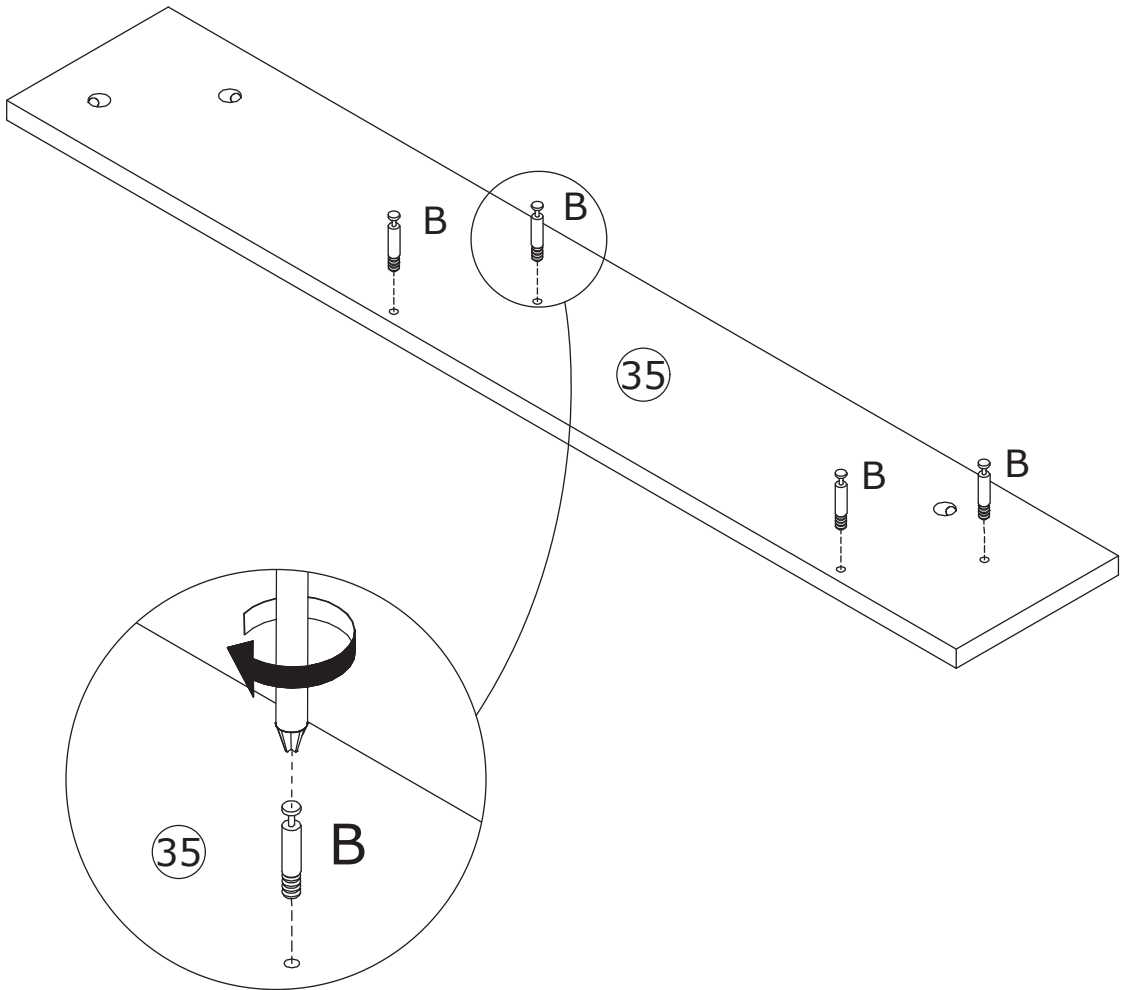
Attach board 38 to another board 39,  
add cam lock(A) into and turn clockwise  
to tighten as shown.



33

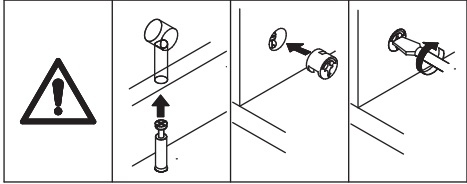
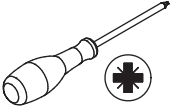


Screw eccentric rod(B)  
into board 35 at first.

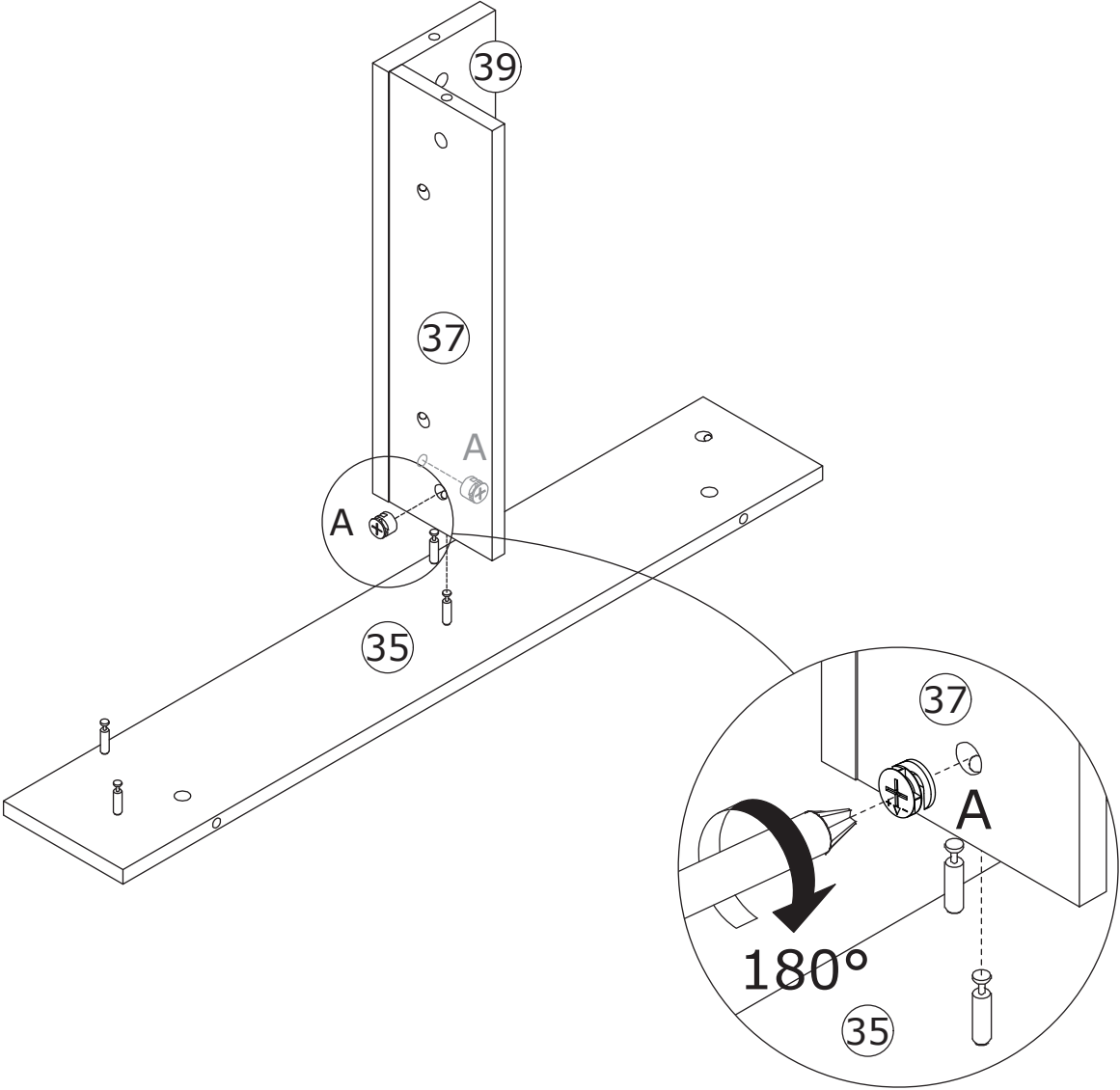


34

A x 2  
CRB1295A

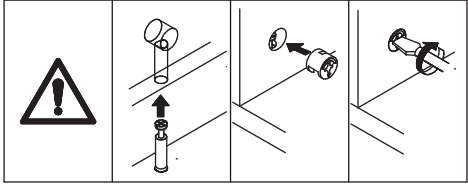
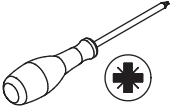


Attach board 37 and 39 to board 35,  
add cam lock(A) into and turn  
clockwise to tighten as shown.

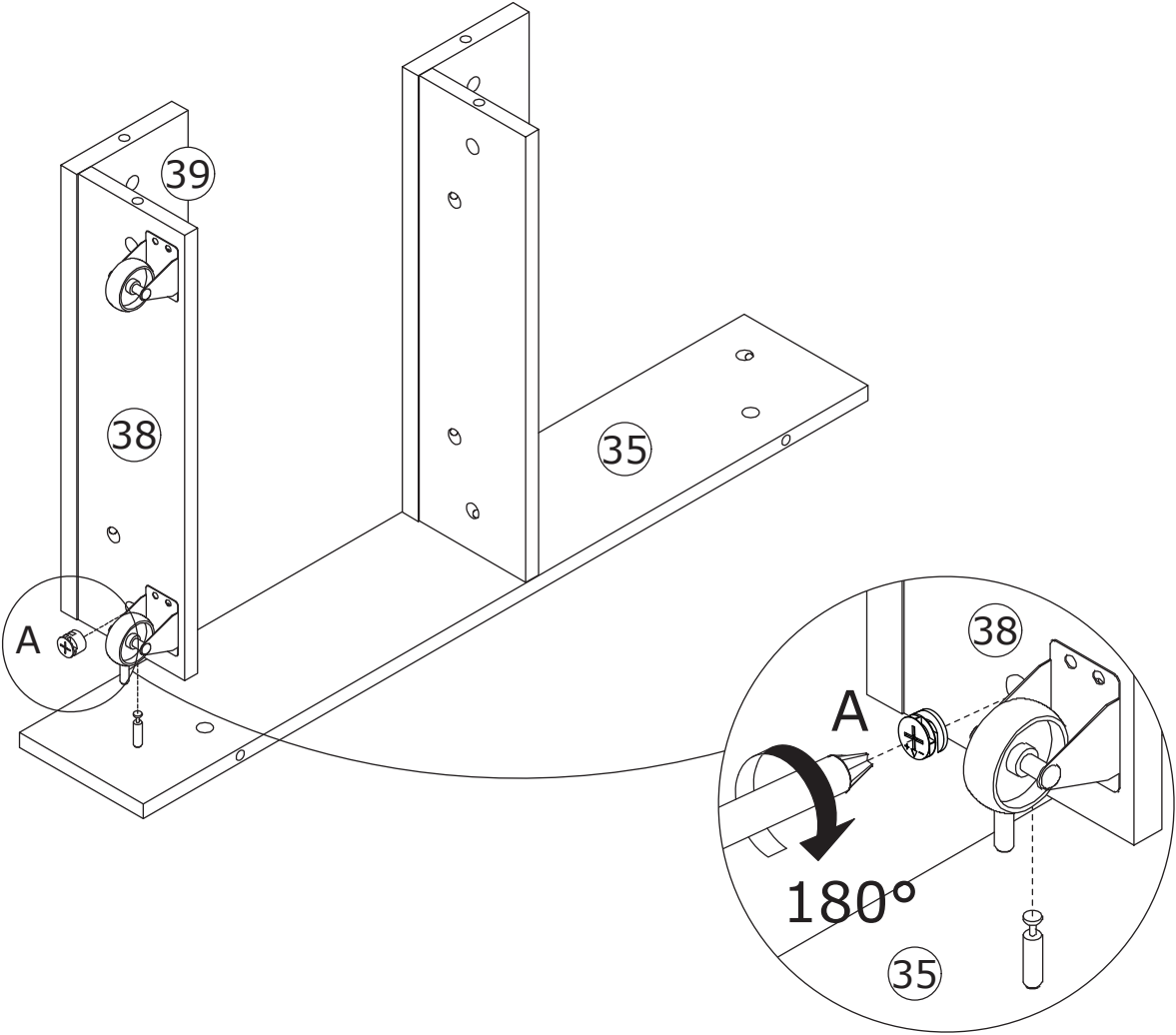


35

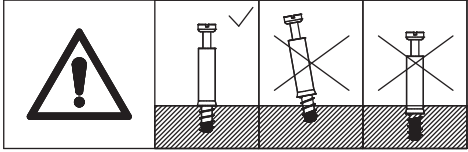
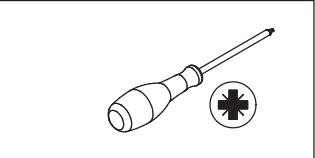
A x 2  
CRB1295A



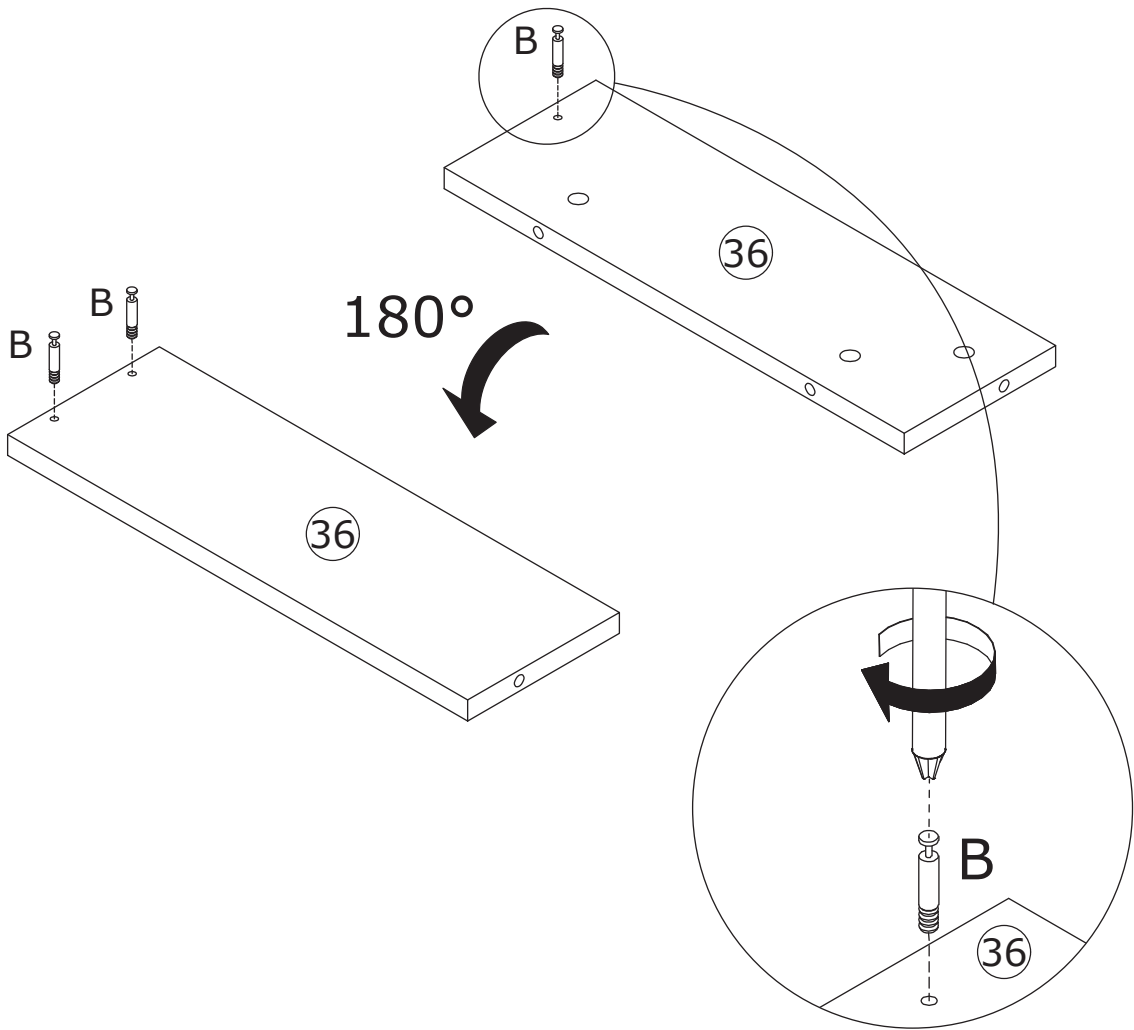
Attach board 38 and 39 to board 35,  
add cam lock(A) into and turn  
clockwise to tighten as shown.



36

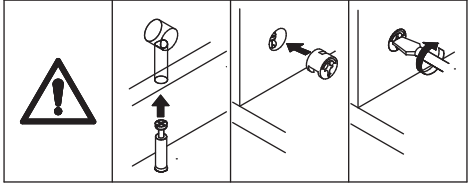
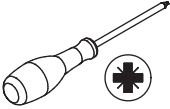


Screw eccentric rod(B) into board 36 at first.  
**Flip to back**, screw eccentric rod(B) into as shown.

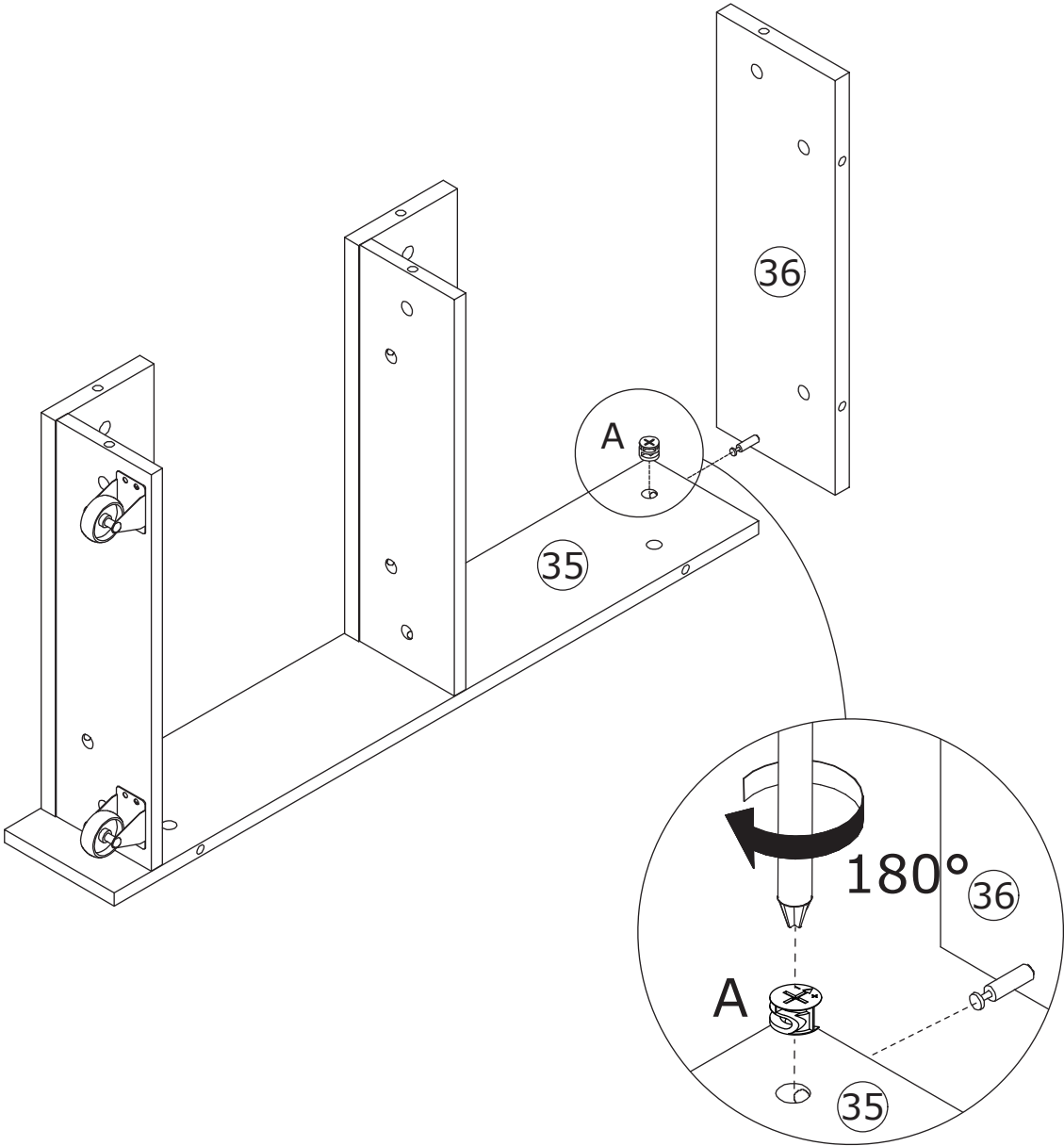


37

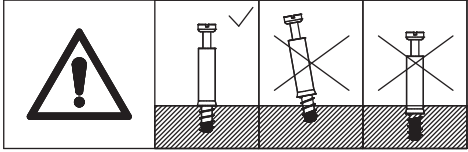
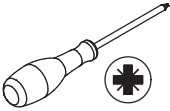
A x 1  
CRB1295A



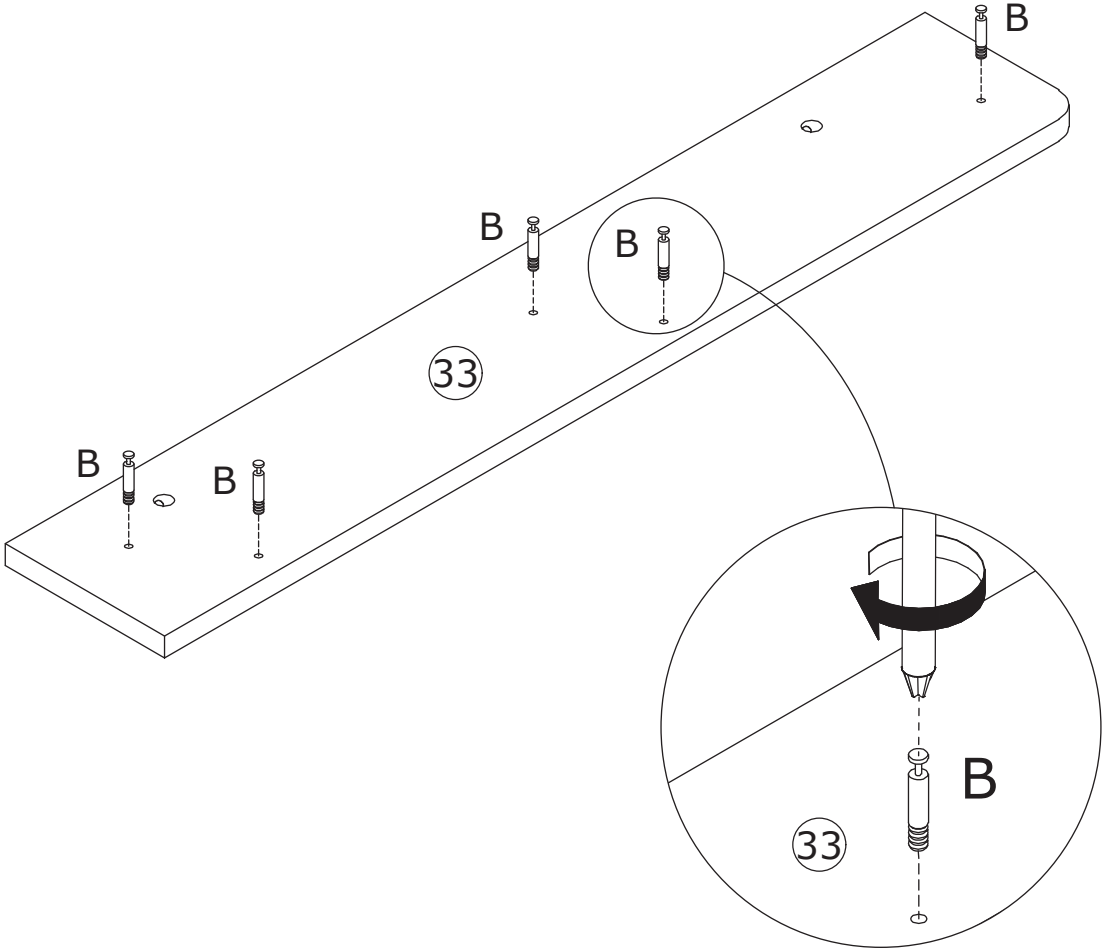
Attach board 36 to board 35, add cam lock(A) into and turn clockwise to tighten as shown.



38

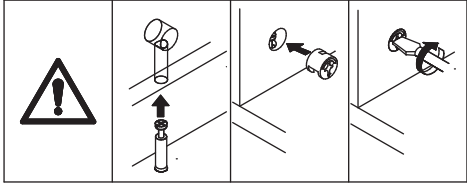
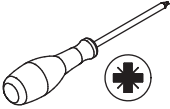


Screw eccentric rod(B)  
into board 33 at first.

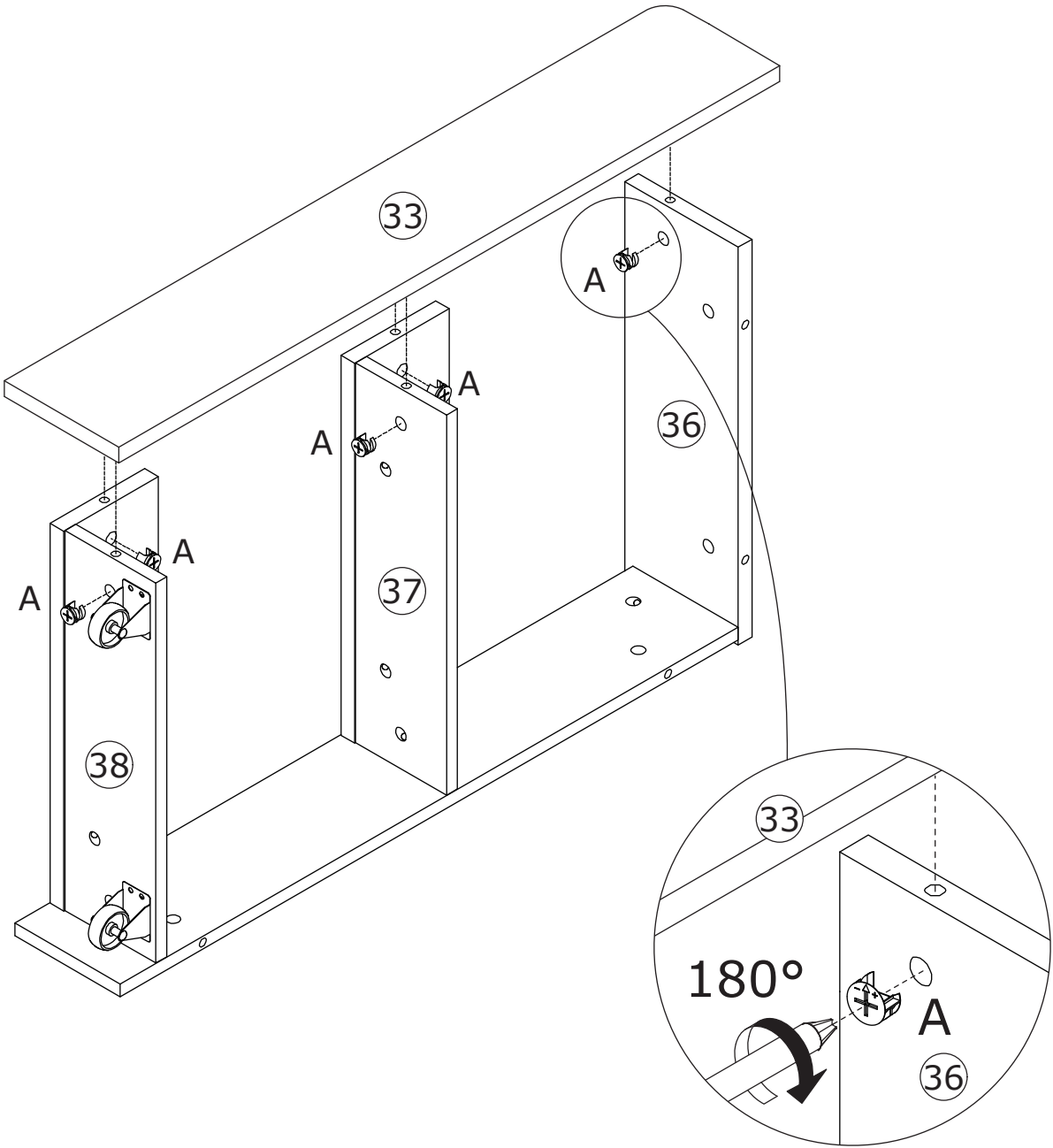


39

A x 5  
CRB1295A

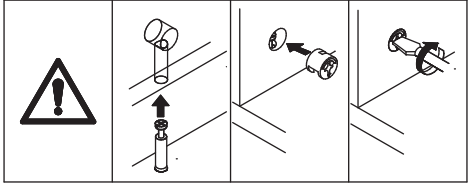
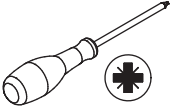


Attach board 33 to the component,  
add cam lock(A) into and turn  
clockwise to tighten as shown.

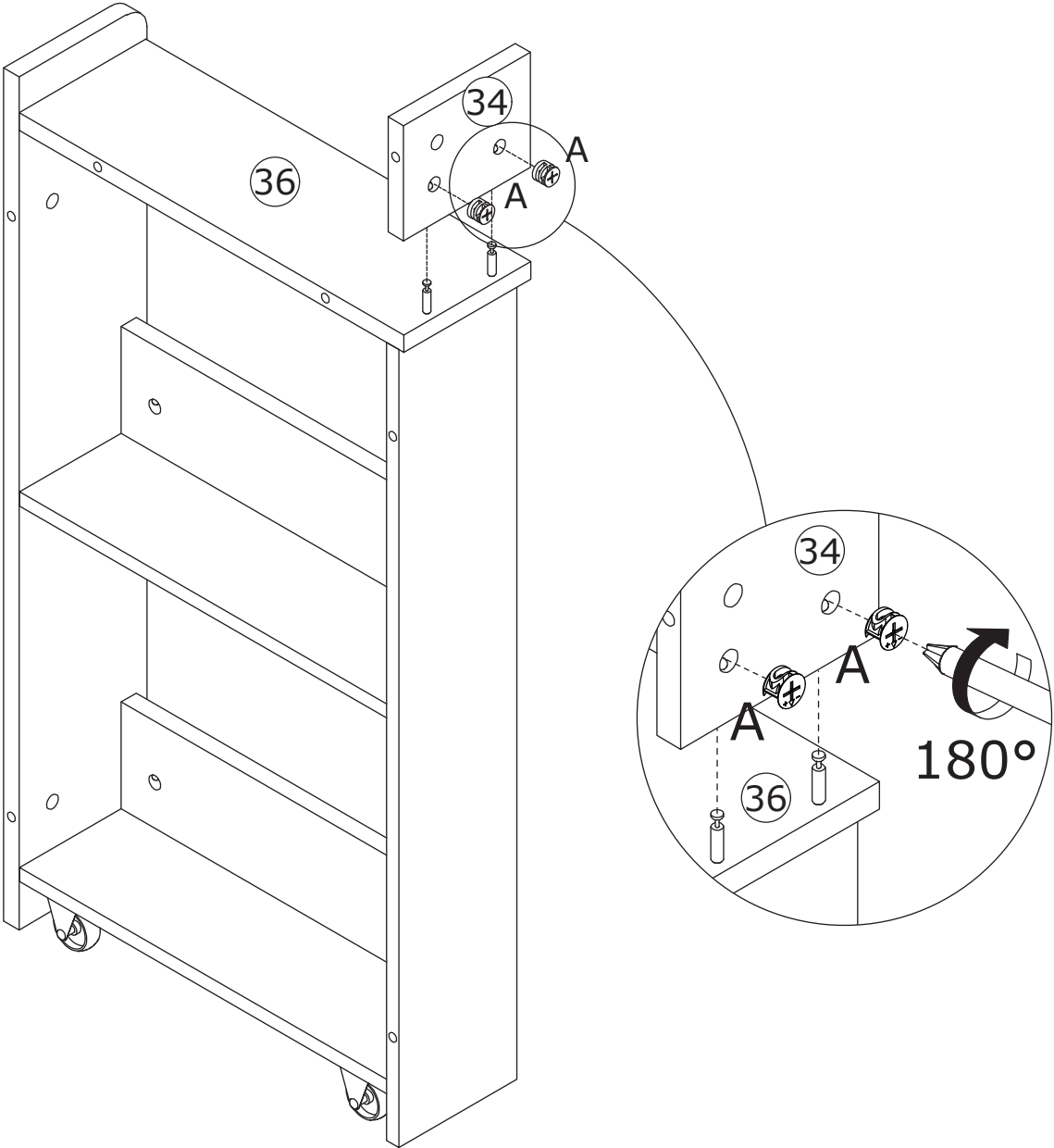


40

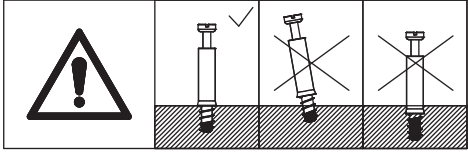
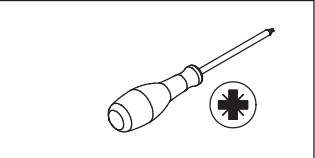
A x 2  
CRB1295A



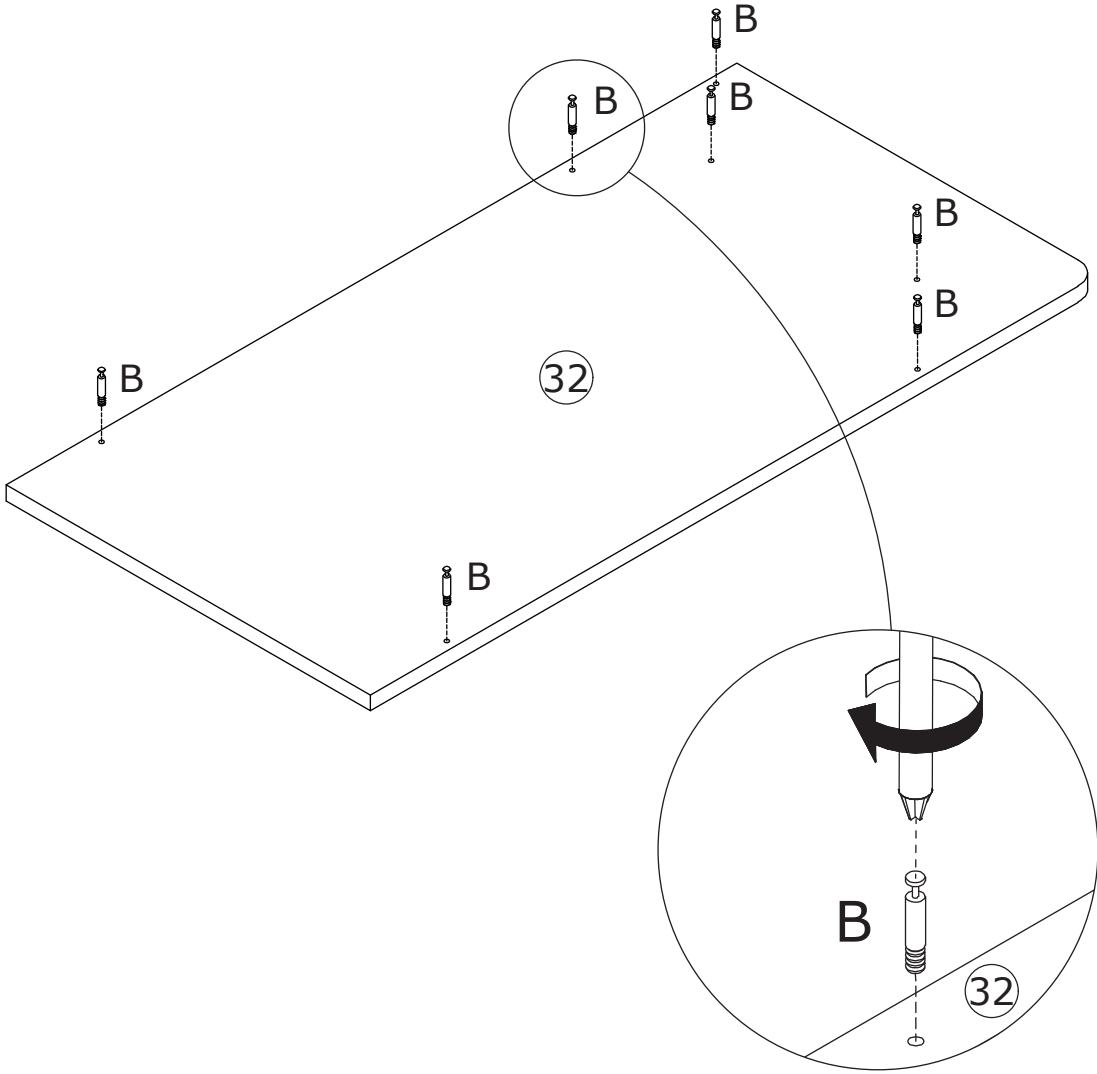
Attach board 34 to board 36,  
add cam lock(A) into and turn  
clockwise to tighten as shown.



41

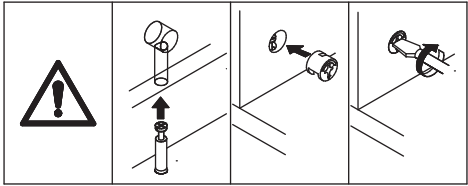
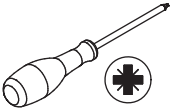


Screw eccentric rod(B)  
into board 32 at first.

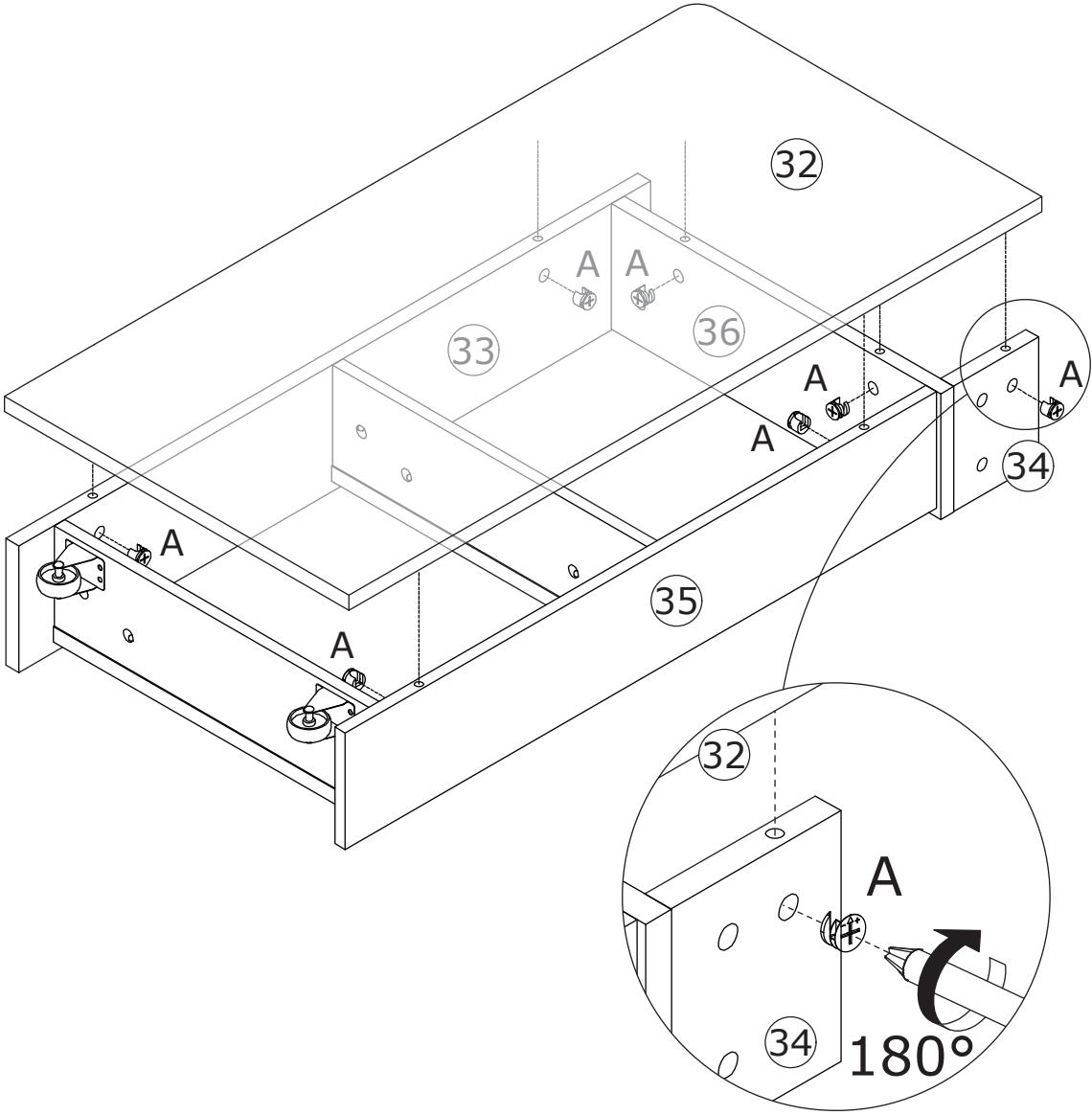


42

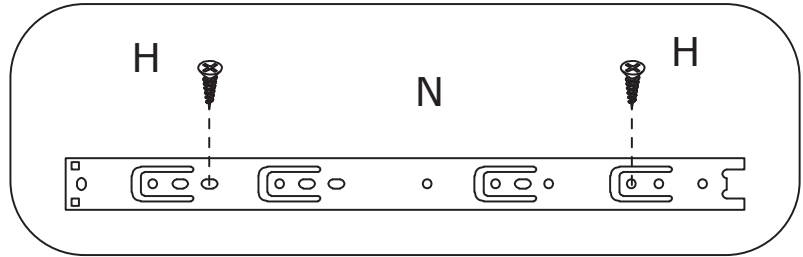
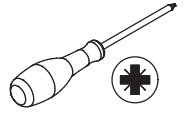
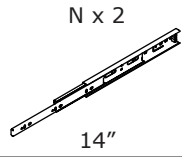
A x 7  
CRB1295A



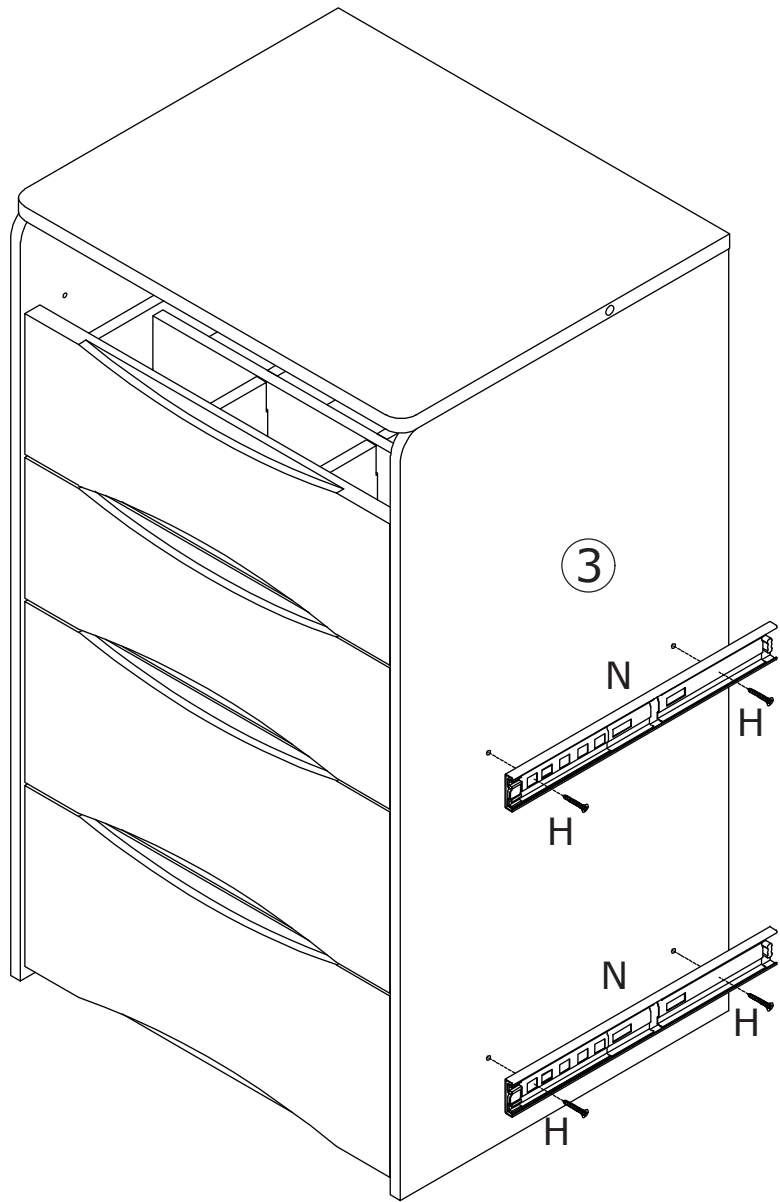
Attach board 32 to the component,  
add cam lock(A) into and turn  
clockwise to tighten as shown.



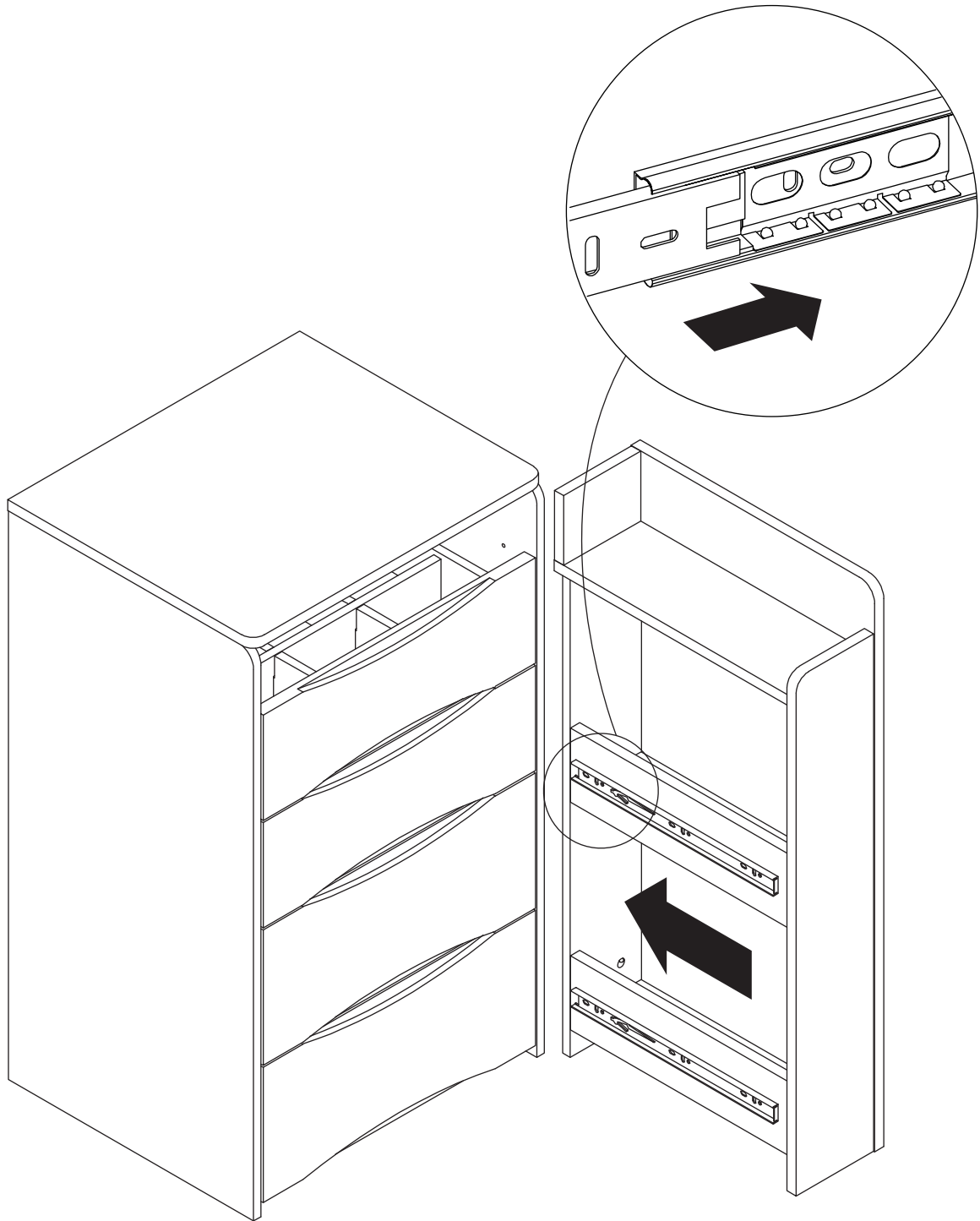
43

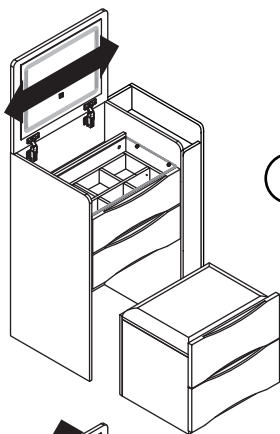
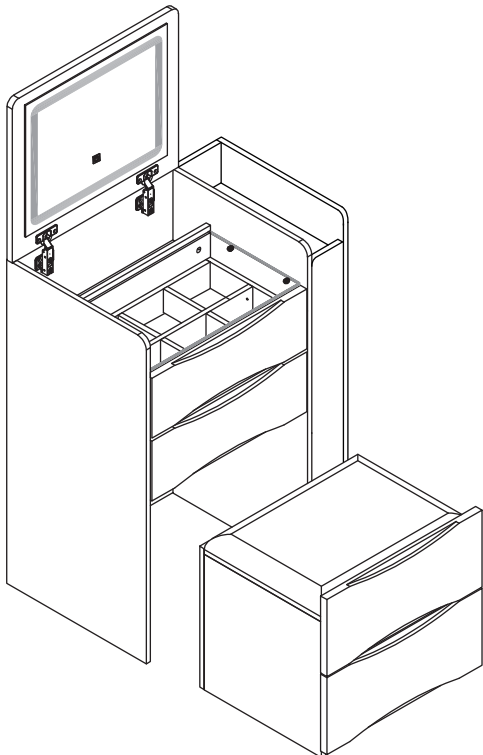


Fix rail(N) to board 3 with screw(H) at first.

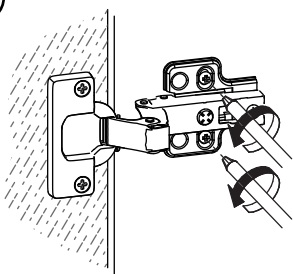


43

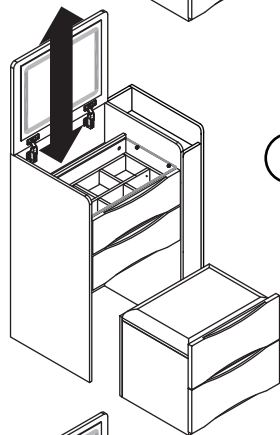
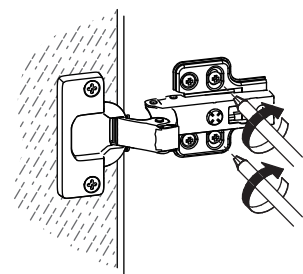
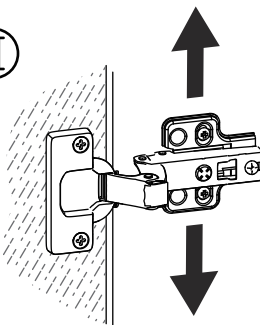




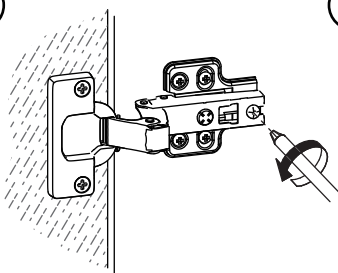
I



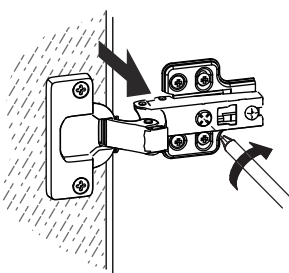
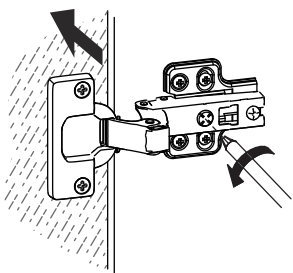
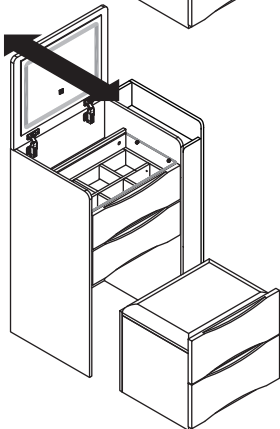
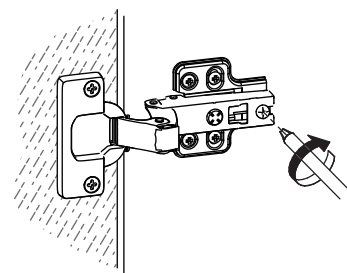
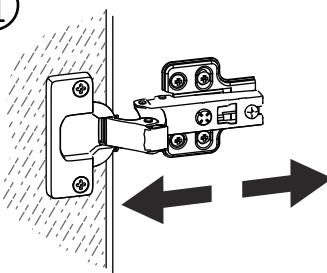
II



I

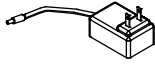


II

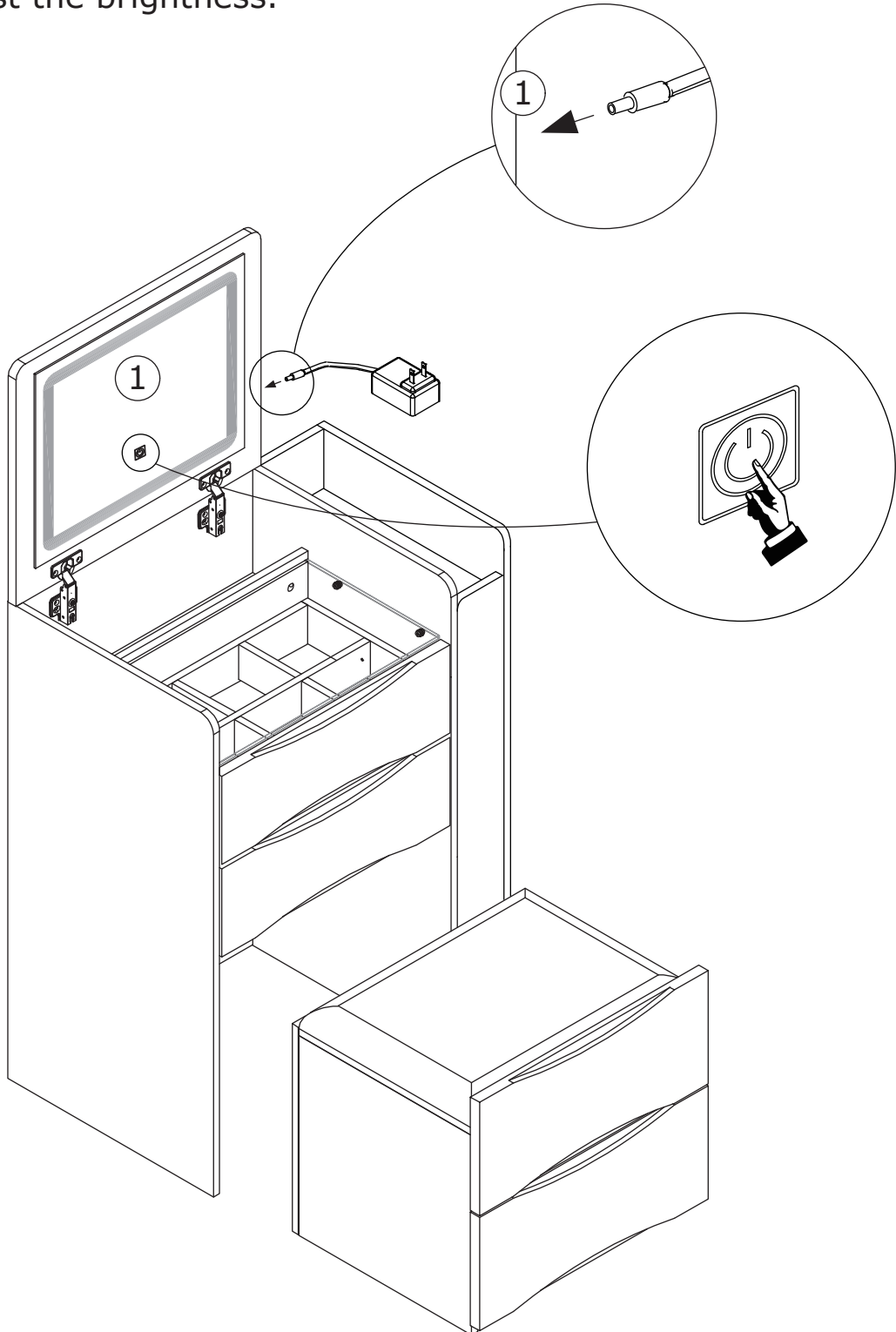


31

Power plug x 1



Connect the power cable with light connectors.  
Touch lightly to change color, press and hold to  
adjust the brightness.



# WARRANTY

## WARRANTY CLAIMS

- There is a 30-day warranty for broken furniture or any other problems that do not work properly. The warranty will start from the date of purchase which must be verified by proof of purchase.
- Before making a claim, we may be able to answer your query, simply call us. Please leave your purchase order number, along with some details of the problem, if you want a replacement part. We will arrange within 48 hours. If there is out of stock, we will reply with a shipping date.
- The product must be used in accordance with the instructions provided. For health reasons.
- For other reasons, if the furniture needs to be returned, it must be cleaned and dried and operated within 30 days of receipt.

## Type of Warranty Claim

- Failure to follow the furniture instructions will invalidate the warranty. Attention please.
- Does not include damage during installation, but includes damage during transportation.

## Scope of responsibility

- Shall not bear any responsibility for misuse or user damage and / or loss of parts during the installation of furniture.
- After using, the damage and scratches of the furniture are not covered by the warranty.

## The Warranty Relates to All Bought in The Us and Covers The Following Areas

- Sheet parts: 1 month from the date of purchase.
- Electrical parts: 1 month from the date of purchase.

# RETURNS

## **CHANGED YOUR MIND AND NEED TO RETURN YOU ITEM?**

### **PLEASE FOLLOW THE BELOW INSTRUCTIONS:**

- If you have purchased and have simply changed your mind, follow the retailer's instructions for returns.

### **DEFECTIVE ITEMS**

- If your item is defective in any way, i.e. it doesn't work but you can't identify why, in the first instance, please call us.

### **DAMAGED ITEMS**

- If you receive an order with obvious shipping damage from the retailer, then we suggest the delivery is refused. If the delivery has been accepted and then shipping damage is found, please follow the specific instructions advised by the retailer.  
In all circumstances please save all packaging material and paperwork for the order. Please be aware that if you dispose of packaging material or attempt to return the merchandise without contacting the fulfiller, you jeopardise your chances of making a claim, and you may not receive a credit for the return.