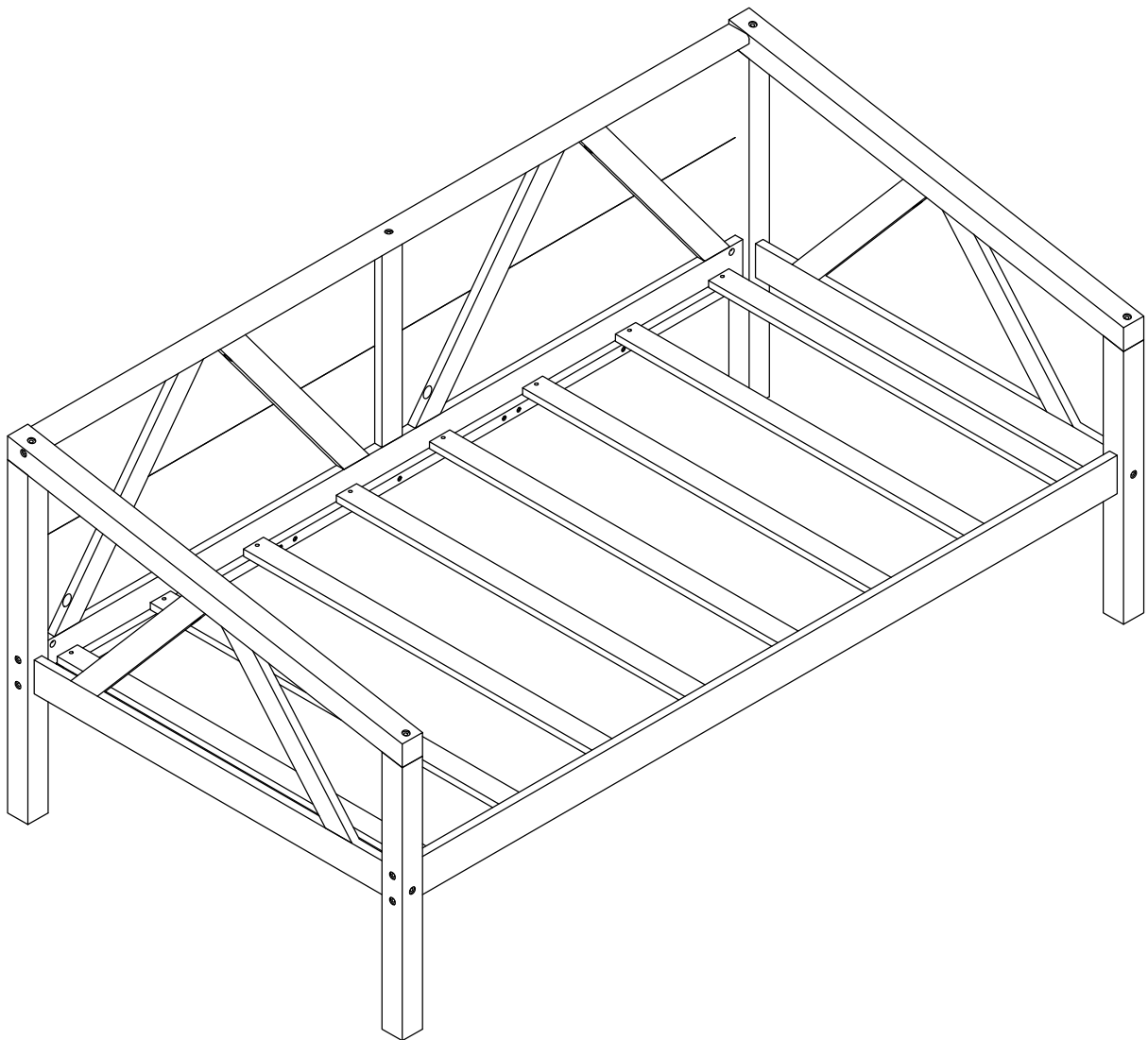


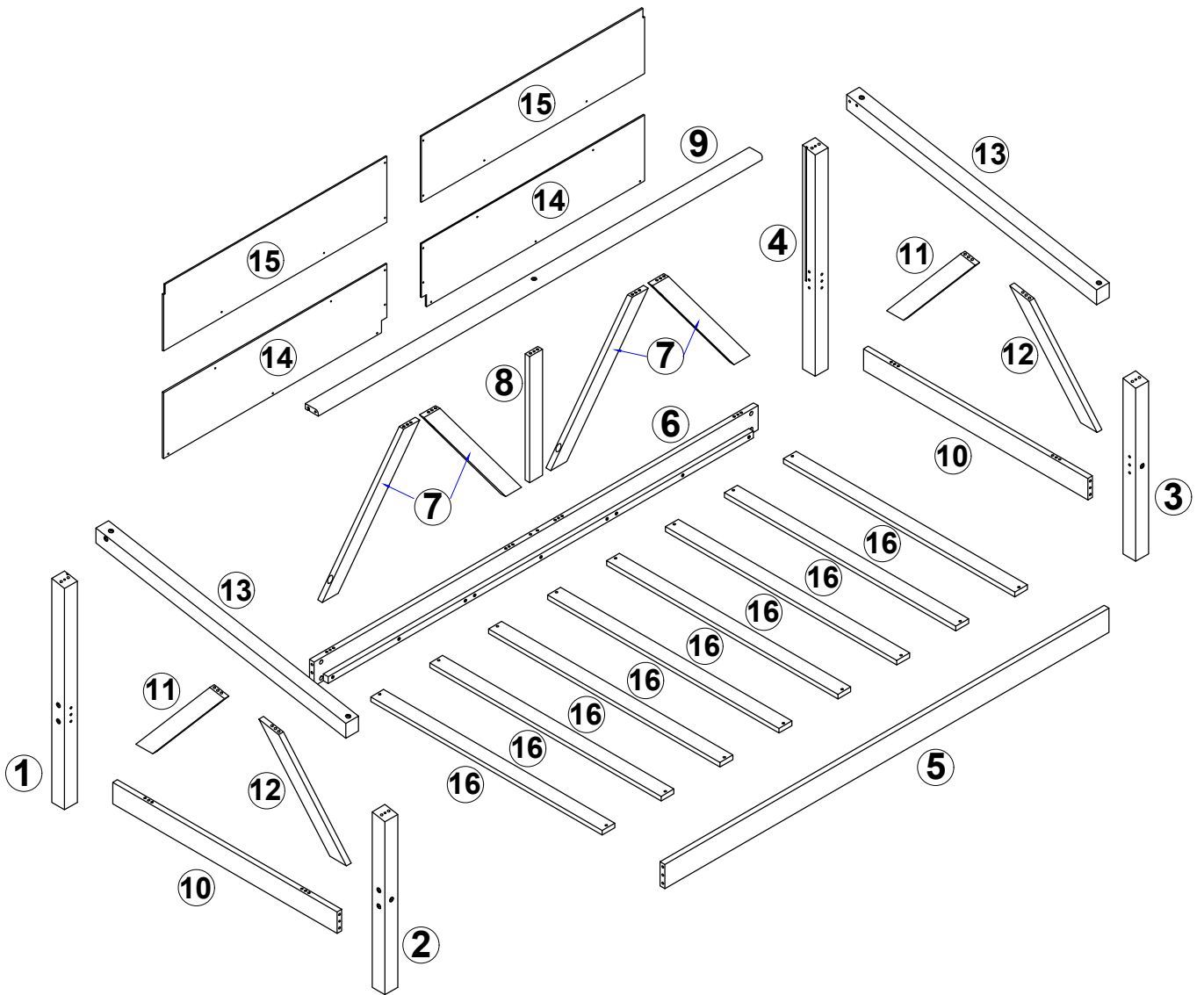
# ASSEMBLY INSTRUCTIONS

## TWIN SIZE DAY BED

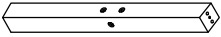
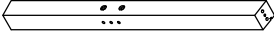
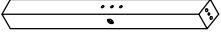
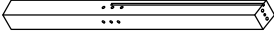

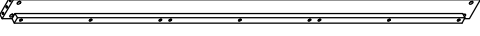

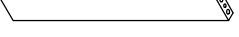
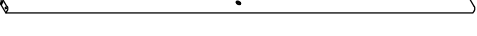
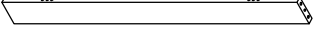


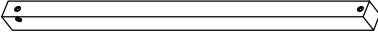
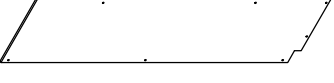
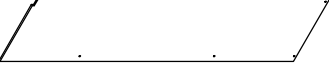
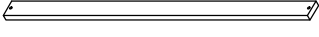


This set is included 1 boxes if don't receive full 1 boxes please contact our customer service team.

# Detail View

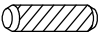




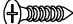
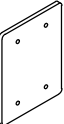




# Part List

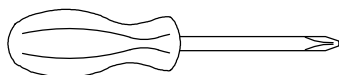
<p><b>1</b></p>  <p>Left Front Foot - 1pcs</p>	<p><b>2</b></p>  <p>Left Back Leg - 1pc</p>
<p><b>3</b></p>  <p>Right Front Leg - 1pc</p>	<p><b>4</b></p>  <p>Right Back Leg - 1pc</p>
<p><b>5</b></p>  <p>Front Bed Shoulder - 1pc</p>	<p><b>6</b></p>  <p>Back Bed Shoulder - 1pc</p>
<p><b>7</b></p>  <p>Back Diagonal Quiz - 4pcs</p>	<p><b>8</b></p>  <p>Behind Quiz - 1pc</p>
<p><b>9</b></p>  <p>Upper Horizontal Bar - 1pc</p>	<p><b>10</b></p>  <p>Lower Hip Bar - 2pcs</p>
<p><b>11</b></p>  <p>Rear Hip Diagonal Quiz - 2pcs</p>	<p><b>12</b></p>  <p>Previous Hip Diagonal Quiz - 2pcs</p>
<p><b>13</b></p>  <p>Horizontal Bars On The Hips - 2pcs</p>	<p><b>14</b></p>  <p>Lower Queen - 2pcs</p>
<p><b>15</b></p>  <p>Upper Game - 2pcs</p>	<p><b>16</b></p>  <p>Slat - 8pcs</p>

# Part List

## Hardware List



<b>A</b>  Ø8*30mm Wood dowel (58pcs)	<b>B</b>  Ø6*100mm Hex-Head screw (14pcs)	<b>C</b>  Ø1/4" Horizontal-Hole bolt (8pcs)
<b>D</b>  Ø1/4"*100mm Hex-Head bolt (8pcs)	<b>E</b>  #4*30mm Screw (16pcs)	<b>F</b>  #4*15mm Screw (24pcs)
<b>G</b>  Iron Bass (1pcs)	<b>H</b>  Ø6*50mm Hex-Head screw (13pcs)	<b>I</b>  K4mm Allen key (1pc)

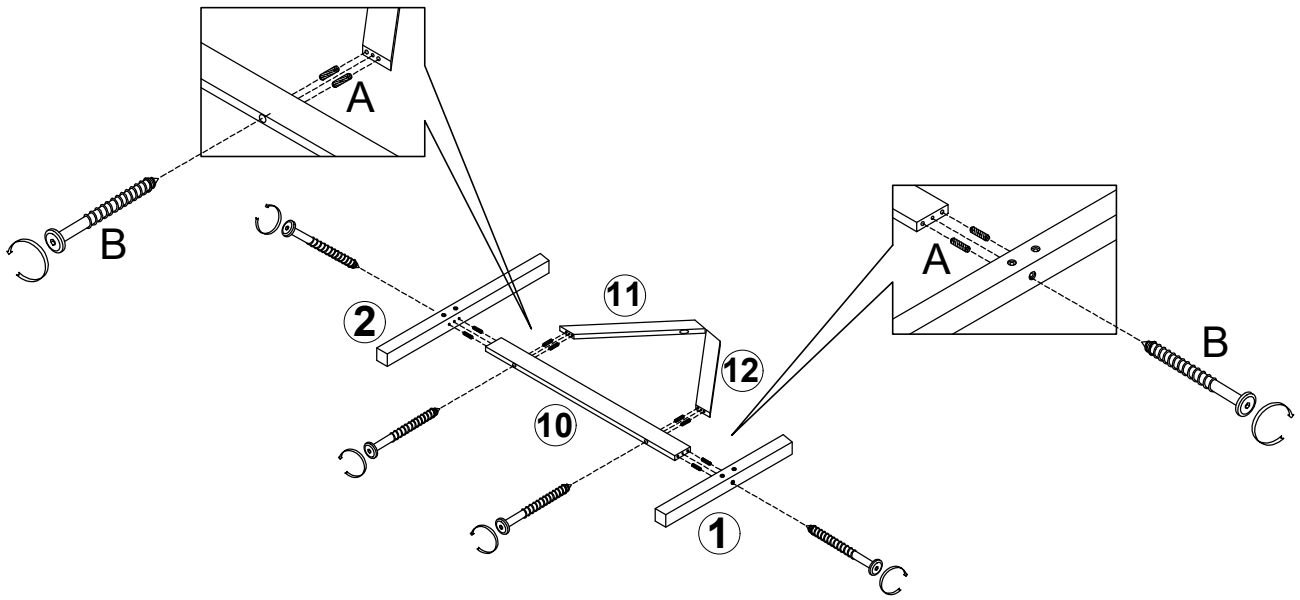
ASSEMBLY TOOLS REQUIRED ( NOT INCLUDED )






**PLEASE BE CAREFUL DO NOT DAMAGE THE HOLE POSITION WHEN YOU USE POWER TOOLS !**

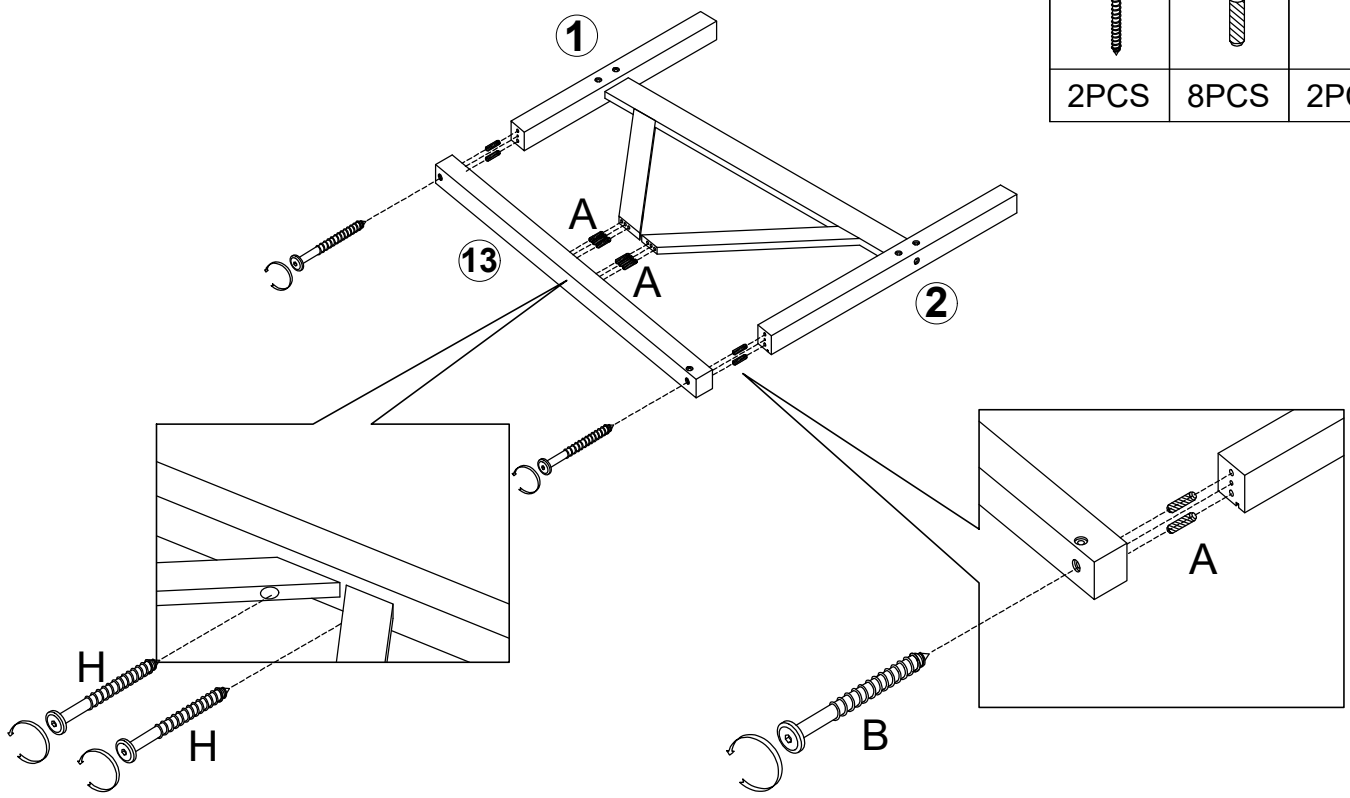
# STEP 1

A	B
	
8PCS	4PCS


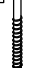


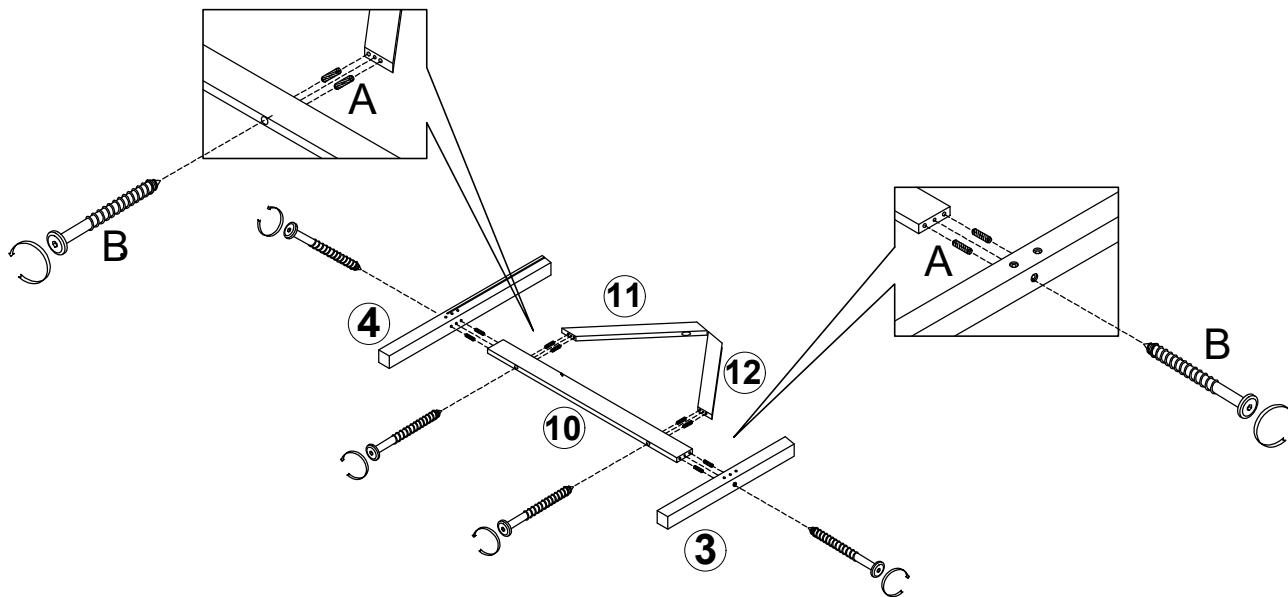
# STEP 2

H	A	B
		
2PCS	8PCS	2PCS






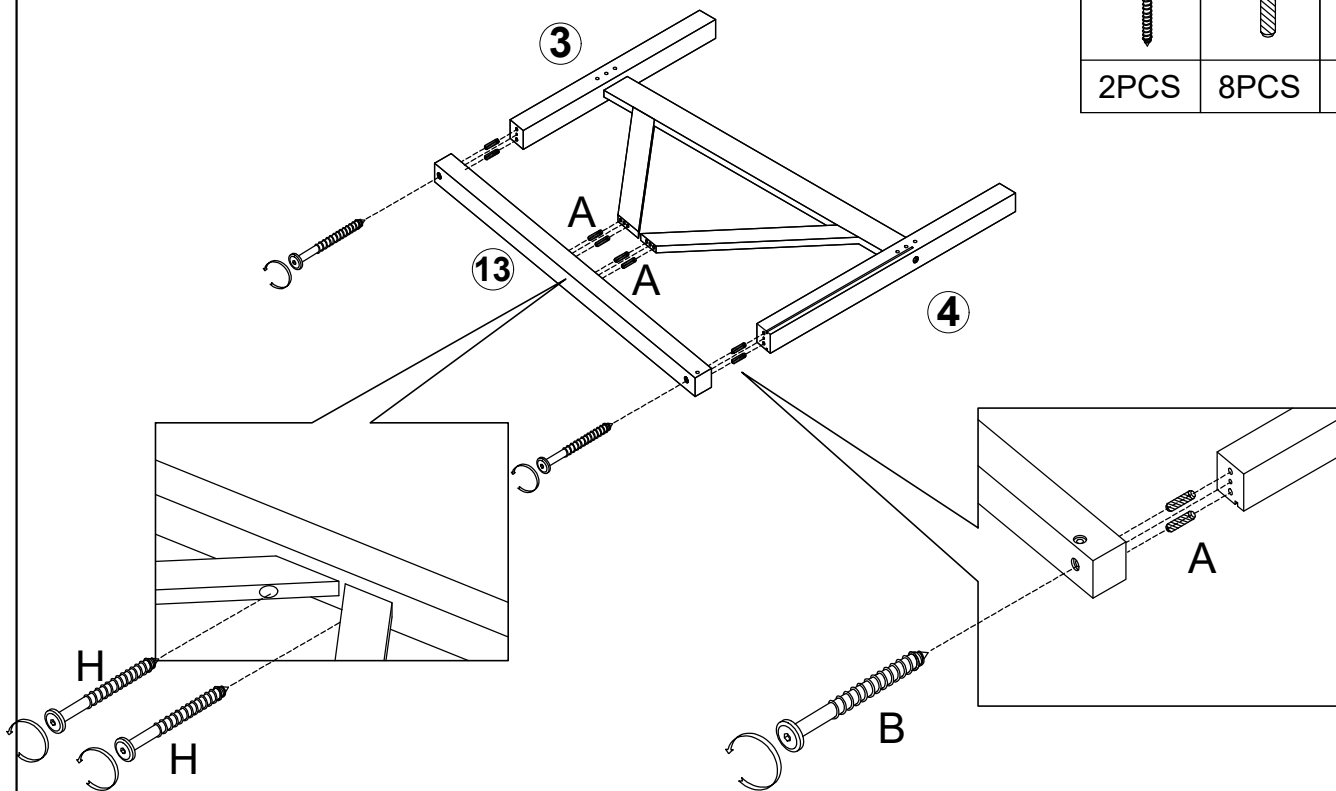
### STEP 3

A	B
	
8PCS	4PCS





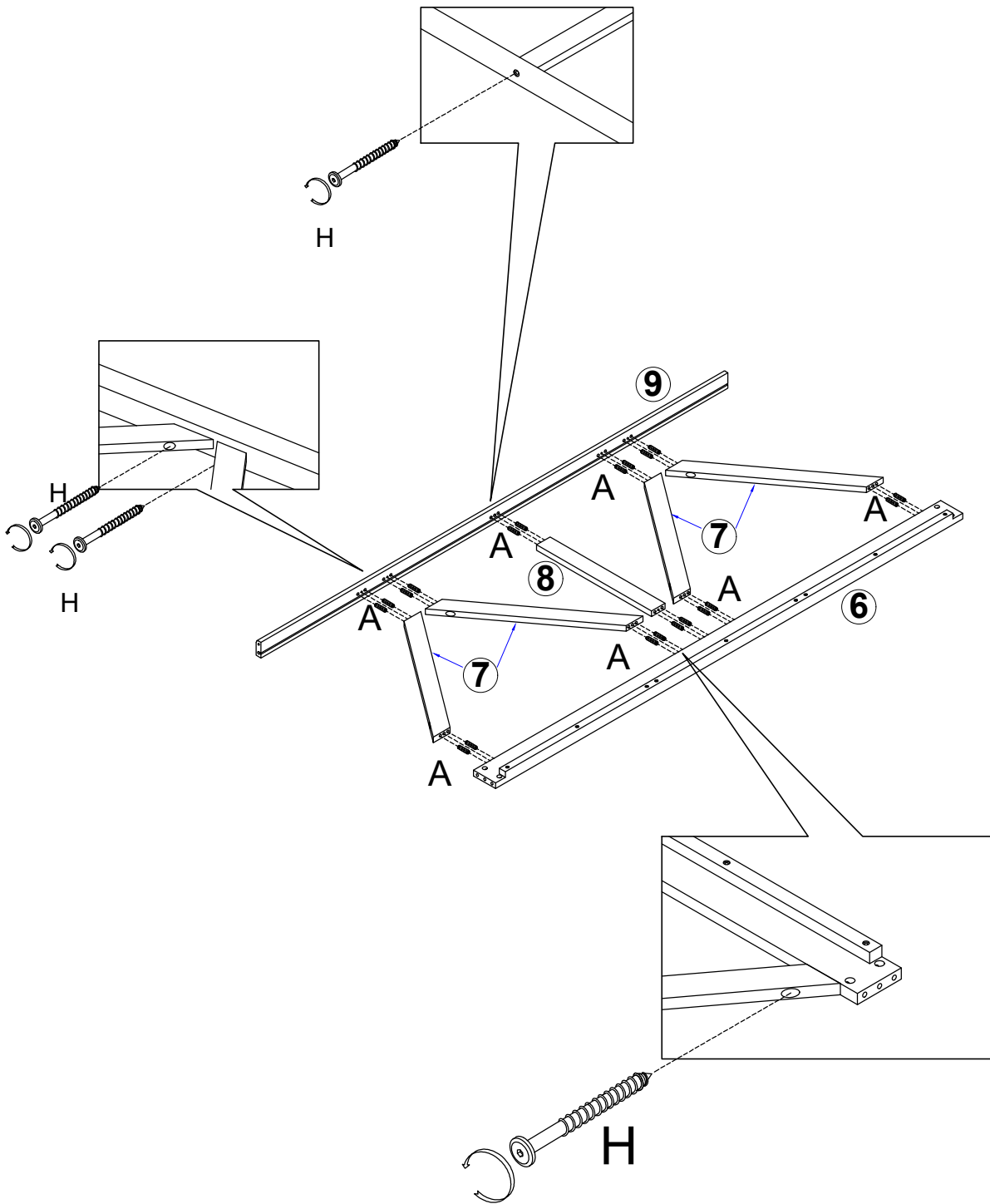
### STEP 4

H	A	B
		
2PCS	8PCS	2PCS

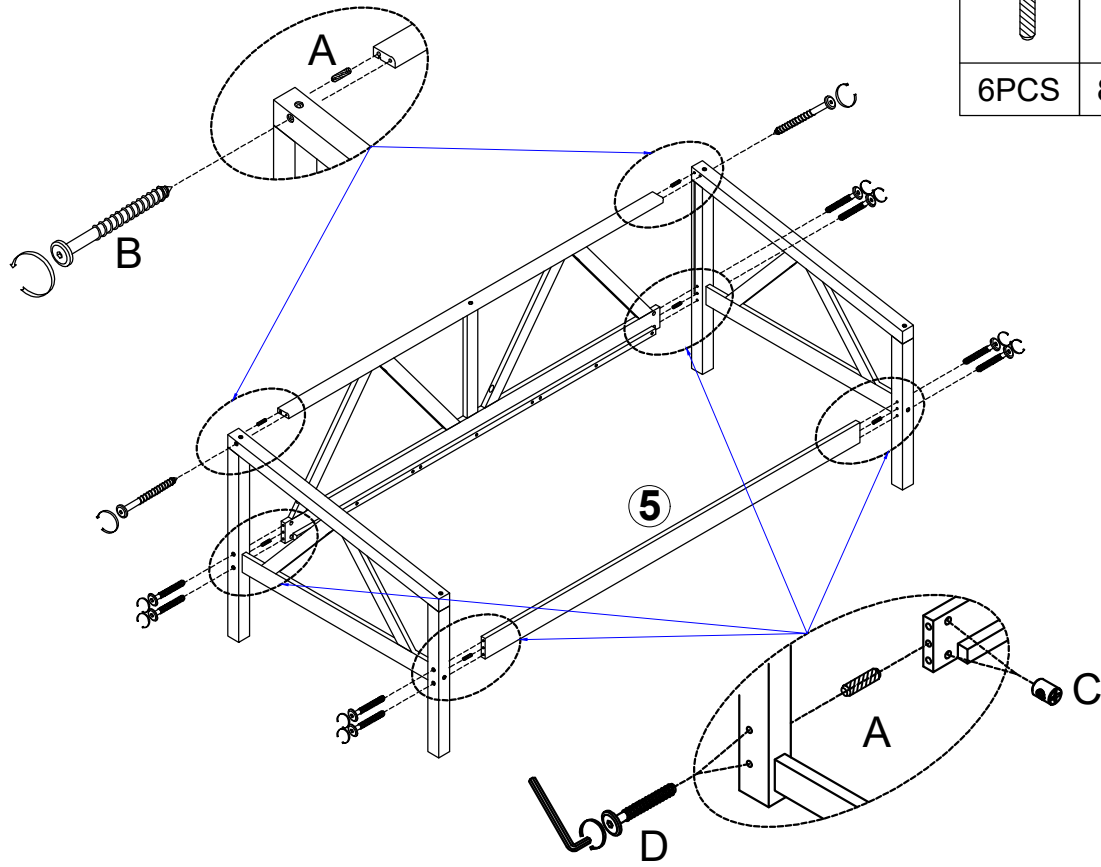






# STEP 5

H		A	
8PCS		20PCS	

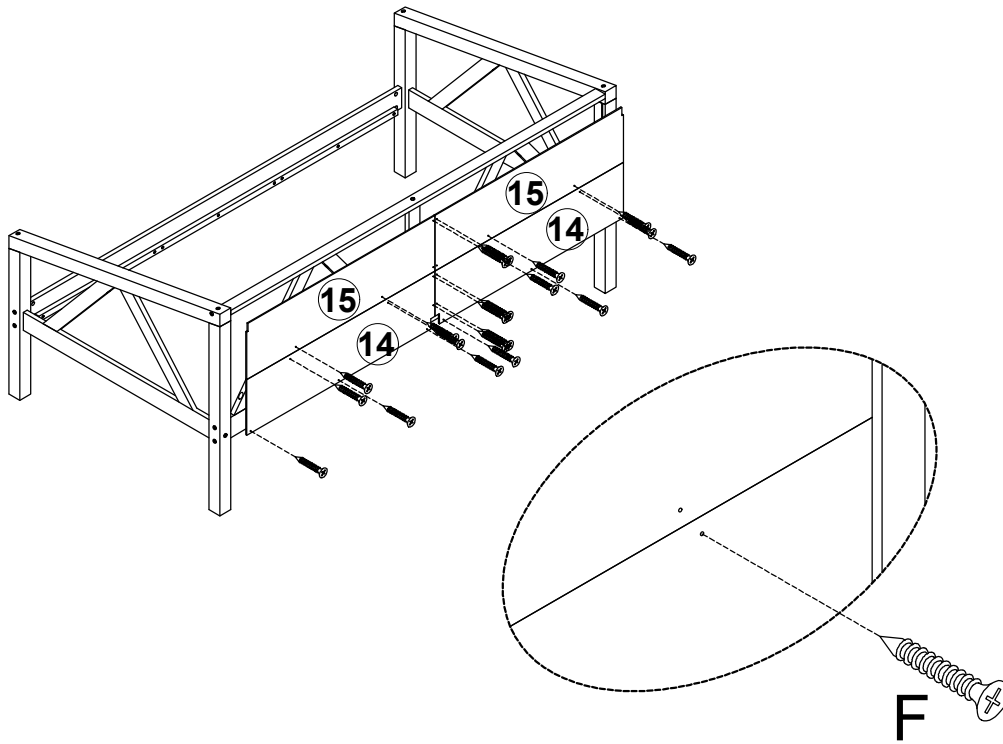



**STEP 6:**





<b>A</b> 	<b>D</b> 	<b>C</b> 
6PCS	8PCS	8PCS
<b>B</b> 		
2PCS		

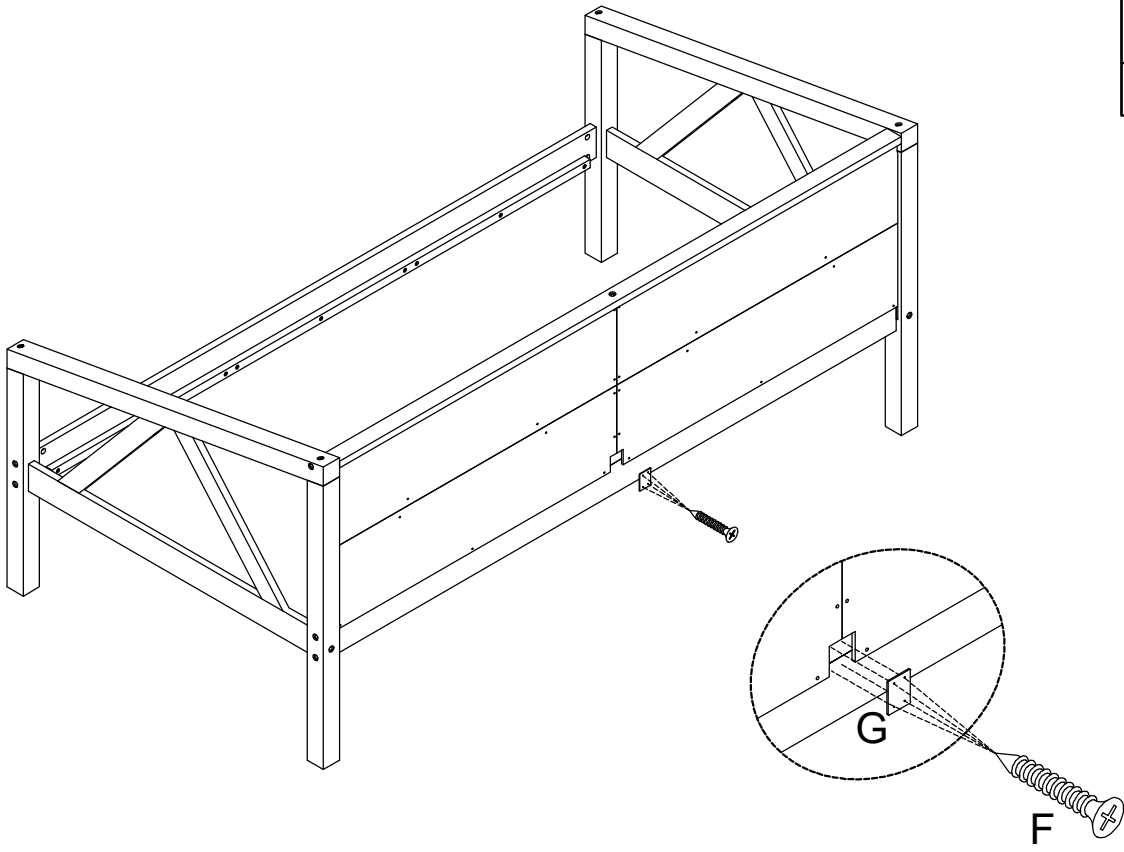
**STEP 7**




<b>F</b> 
20PCS

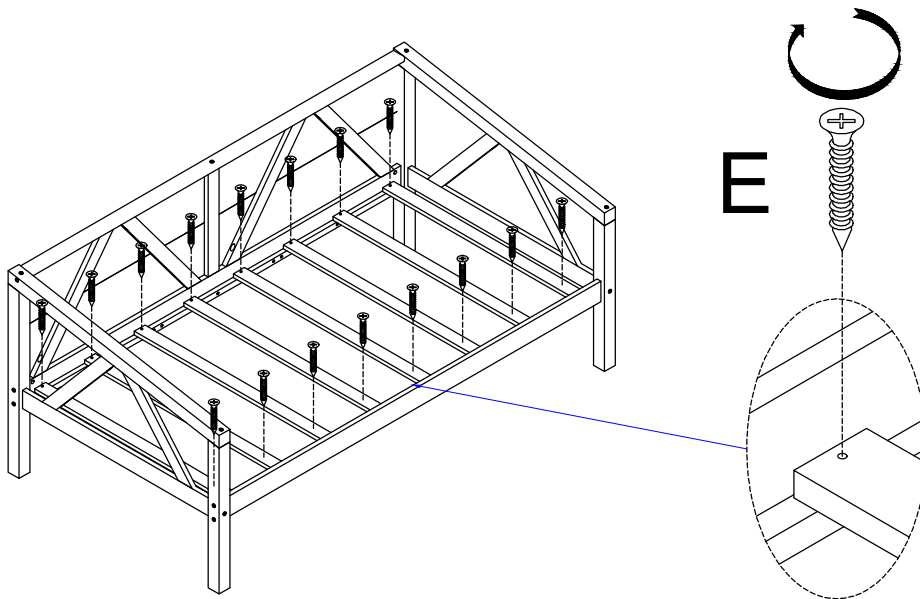
**STEP 7:**

<b>G</b>	<b>F</b>
	
1PC	4PCS



**STEP 8**

<b>E</b>

16PCS



COMPLETED

