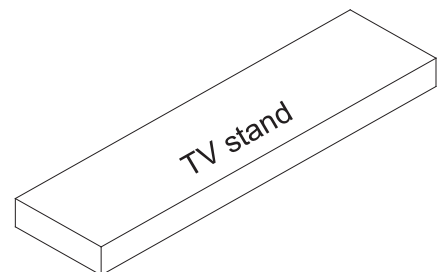
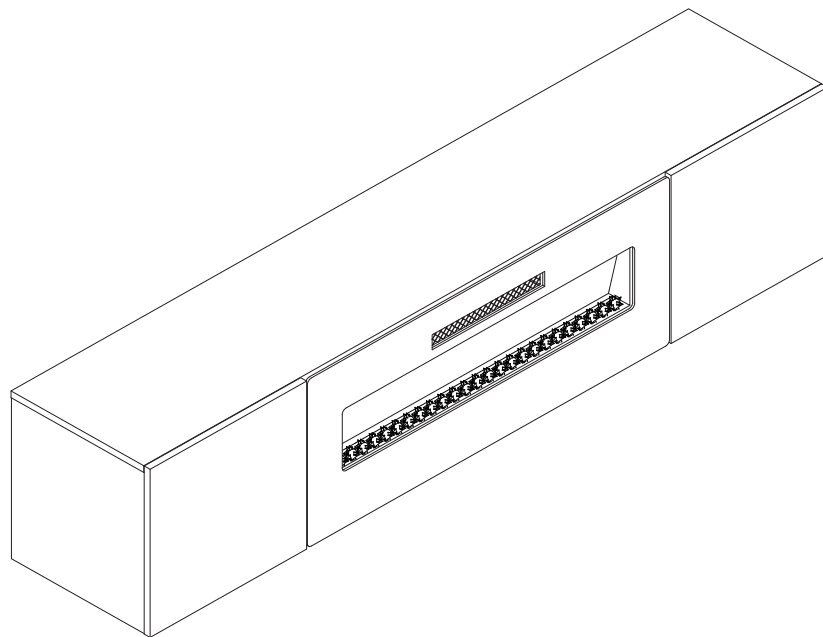


TV Stand

Assembly Instructions - Please keep for future reference

NOTE:

Comes with TWO PACKAGES with TWO TRACKINGS, may NOT be delivered at the same time.



Carton 1 of 2



Carton 2 of 2

Dimensions

Width - 67.3inch

Depth - 13.8inch

Height - 14.6inch

Important – Please read these instructions fully before starting assembly

Issue 1 -29/07/2025



Safety and Care Advice

Important – Please read these instructions fully before starting assembly

- Check you have all the components and tools listed on the following pages.
- Remove all fittings from the plastic bags and separate them into their groups.
- Keep children and animals away from the work area, small parts could choke if swallowed.
- Make sure you have enough space to layout the parts before starting.

- During assembly do not stand or put weight on the product, this could cause damage.
- Assemble the item as close to its final position (in the same room) as possible.
- Assemble on a soft level surface to avoid damaging the unit or your floor.
- Parts of the assembly will be easier with 2 people.



- To reduce the likelihood of damaging your product please ensure that your power drill is set on a low torque setting.

Care and maintenance

- Only clean using a damp cloth and mild detergent, do not use bleach or abrasive cleaners.
- From time to time check that there are no loose screws on this unit.
- This product should not be discarded with household waste. Take to your local authority waste disposal centre.

Handy Hints

- Assemble all parts and bolts loosely during assembly, only once the product is complete should you fully tighten the bolts
- Regularly check and ensure that all bolts and fittings are tightend properly.

WARNING

In order to help prevent overturning – please follow these instructions

To help prevent product toppling over please follow the steps below:








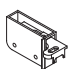
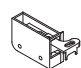




- Must use the anti tip strap or wall fixing method provided (whichever applies).
- Do not allow children to climb or hang on the furniture.
- Do not place heavy items on top of the furniture, unless the furniture has been designed for this purpose
- Installation shall be carried out exactly according to the instructions - otherwise a safety risk can occur
- In order to prevent falling down this product must be used with the wall attachment device provided.

Please note that only the wall attachment device is provided. You will need to supply wall plugs and screws applicable for your wall type.

Components - Fittings

Please check you have all the fittings listed below

Note: The quantities below are the correct amount to complete the assembly. In some cases more fittings may be supplied than are required.

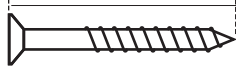
A  7*39mm Male Camlock x 24	B  Female Camlock x 24	C  8*30mm Dowel x 20
D  3.5*14mm Screw x 16	E  Wall Fixing Pack x 8	F  4*30mm Screw x 8
G  Metal Cleat x 4	H  Wall attach bracket x 2	I  Wall attach bracket x 2
J  3*12mm Screw x 10	K  4*14mm Screw x 4	L  Hinge x 4
M  Shelf Support Pin x 8		

Tools required



Phillips screwdriver
(medium & large)

Ruler - Use this ruler to help correctly identify the screws

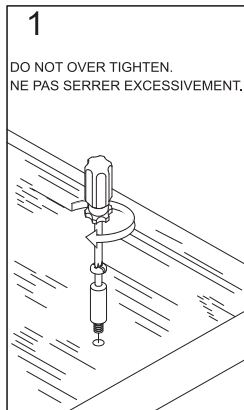


The screws length is measured from the head to the point (30mm screw shown).

Using Camlocks

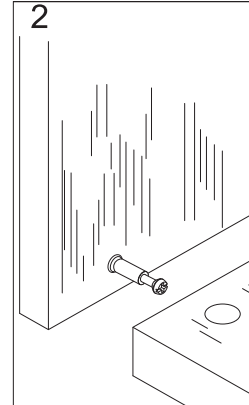
Step 1

Connect the male camlock as directed in the assembly instructions using a screwdriver.



Step 2

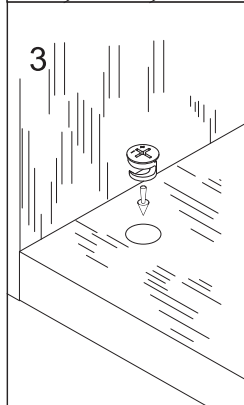
Push the male camlock into the entry hole.



Step 3

Insert the female camlock as shown in the instructions.

Note: ensure that the arrow on the top of the camlock points towards the entry hole for the male camlock.

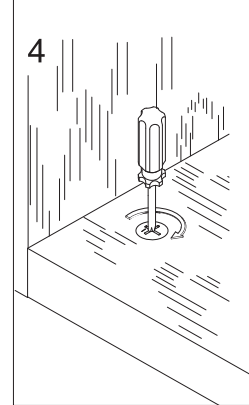


Step 4

Turn the female camlock clockwise with a screwdriver.

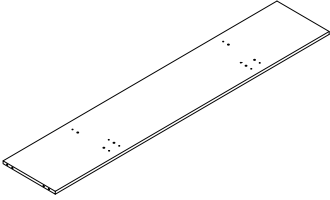
You should feel a click when the camlock is locked in place.

The joint is now secure.

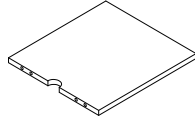


Components - Panels

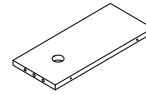
Please check you have all the panels listed below



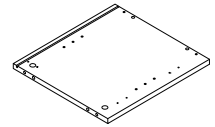
1 (167.9 x 31.8 x 1.5cm) x1



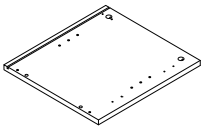
2 (34.1 x 31.5 x 1.5cm) x2



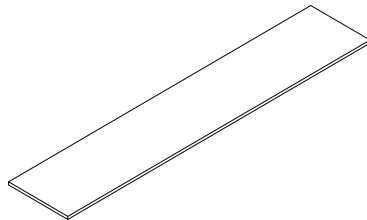
3 (34.1 x 15 x 1.5cm) x2



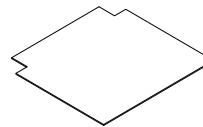
4 (35.8 x 33.5 x 1.5cm) x1



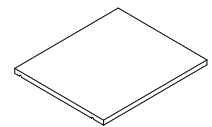
5 (35.8 x 33.5 x 1.5cm) x1



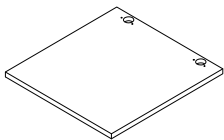
6 (171 x 33.5 x 1.5cm) x1



7 (35.9x 39 x 0.25cm) x2

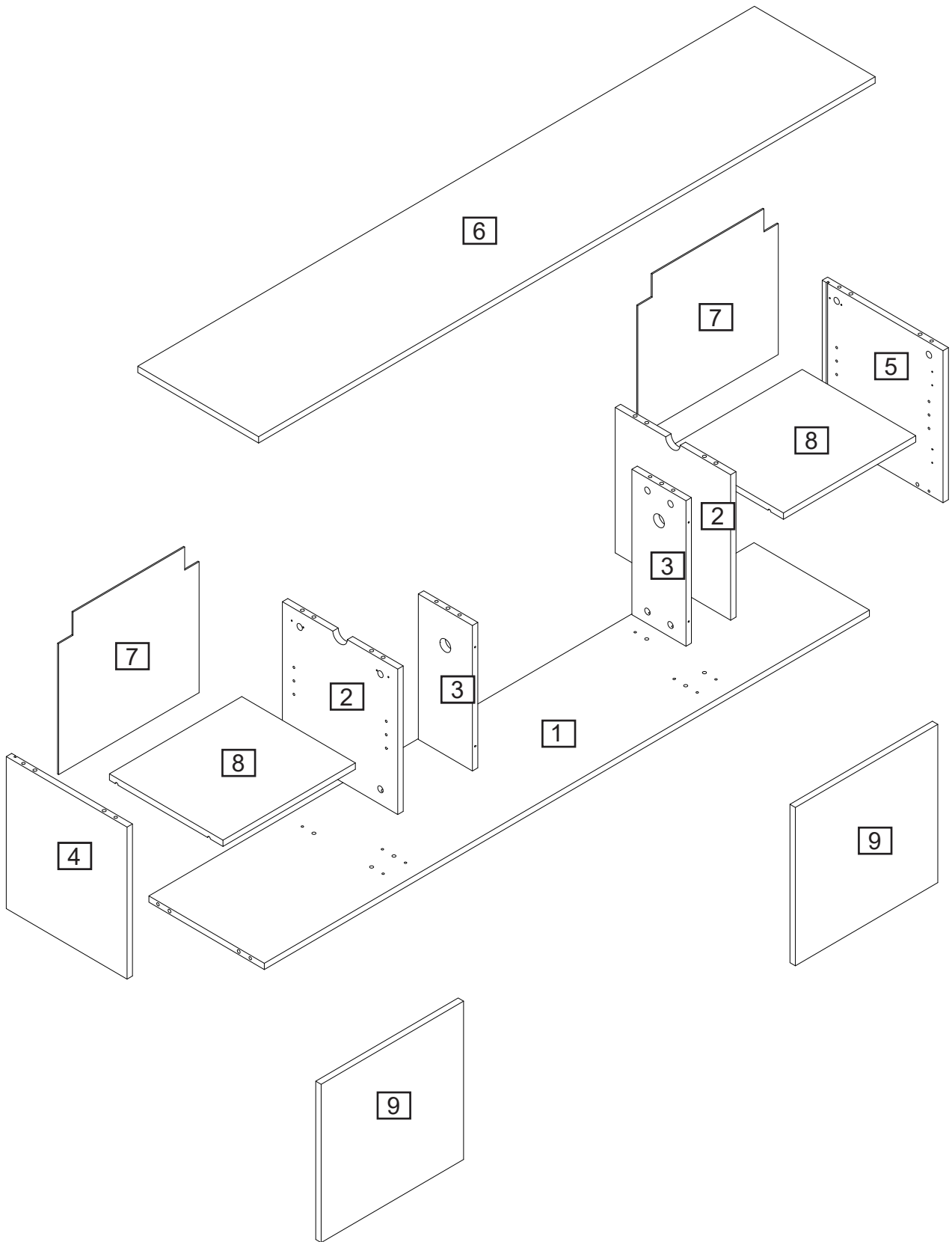


8 (36.9x 31.2 x 1.5cm) x2



9 (39.3 x 37.3 x 1.5cm) x2

Assembly Instructions

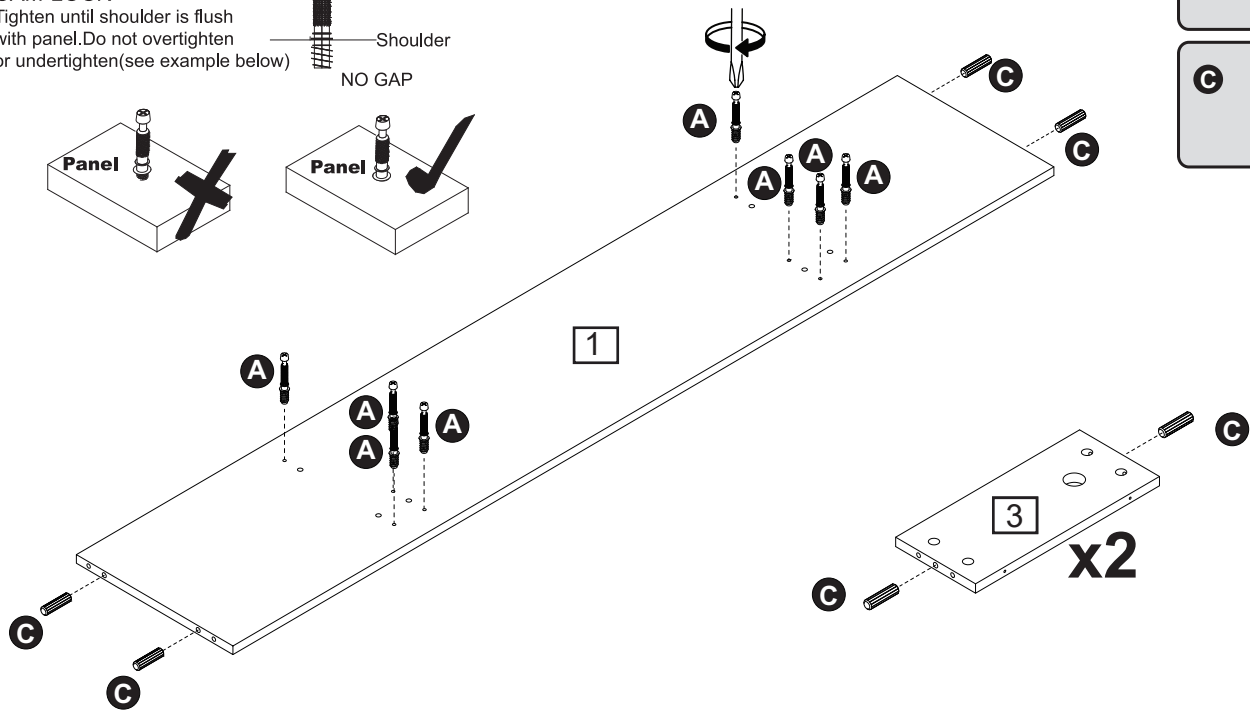
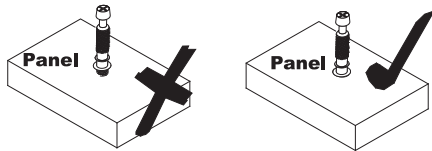
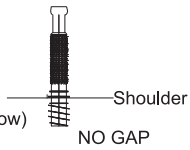


Assembly Instructions

Step 1

CAM-LOCK

Tighten until shoulder is flush with panel. Do not overtighten or undertighten (see example below)



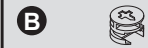
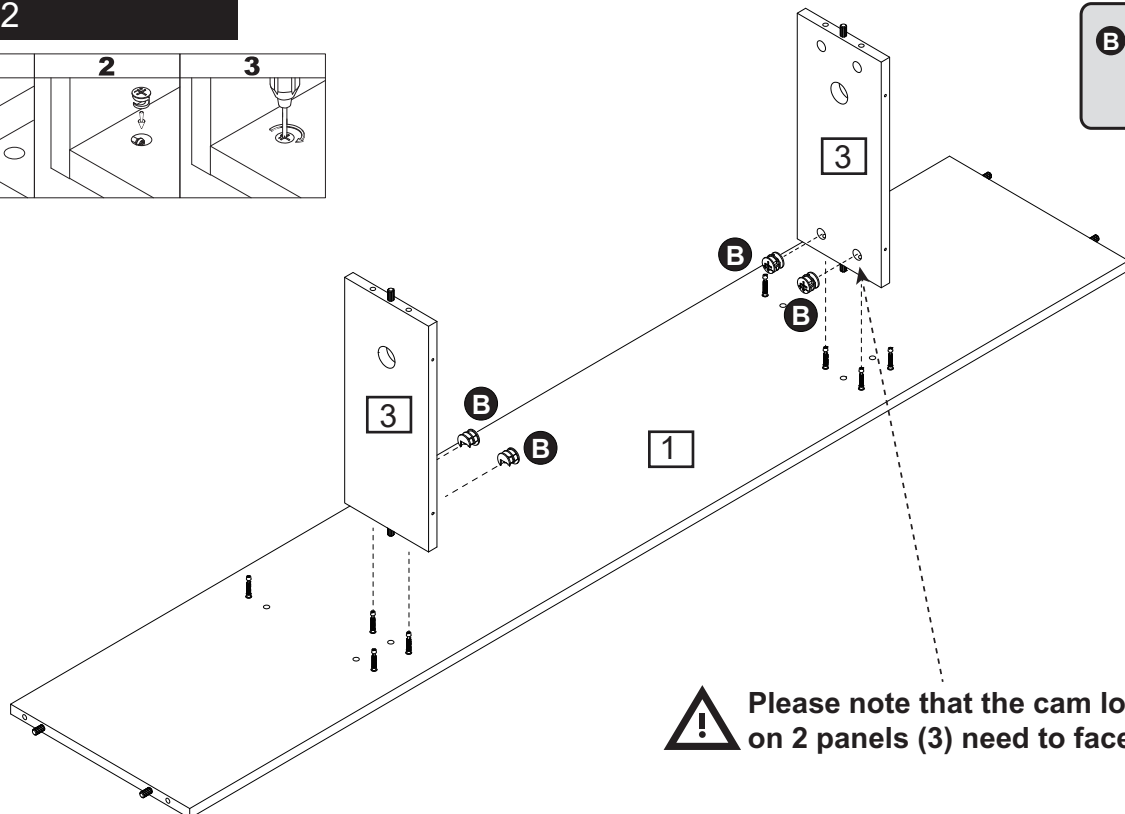
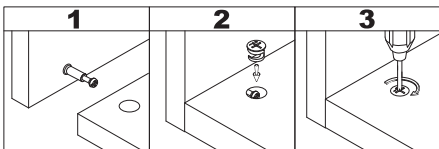
A x 8




C x 8

Attach cam bolt (A) to part (1) with a screwdriver.
Insert wooden dowel (C) into part (1,3).

Step 2



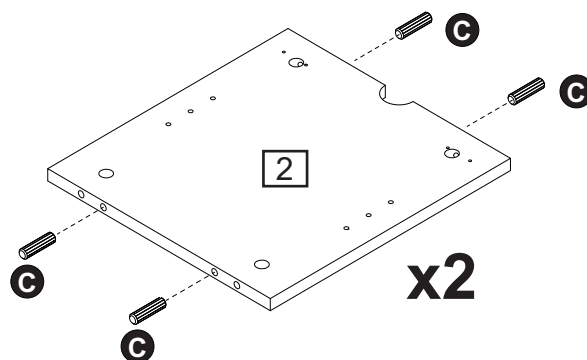
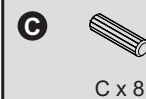
B x 4

 Please note that the cam lock holes on 2 panels (3) need to face each other.

Attach part (3) to part (1), then insert and secure cam lock (B) to part (3) to lock it.

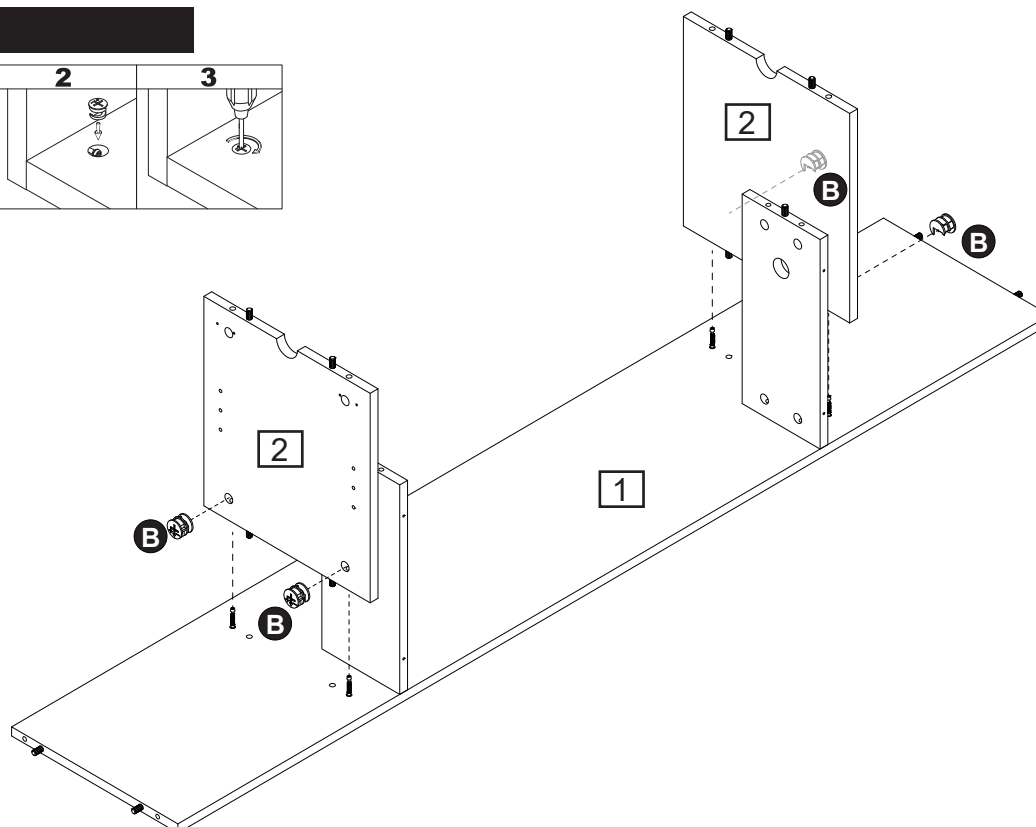
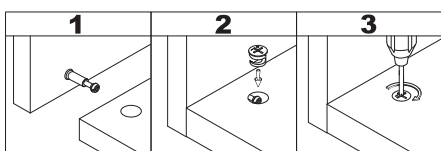
Assembly Instructions

Step 3



Insert wooden dowel (C) into part (2).

Step 4



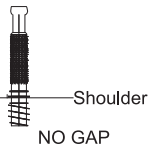
Attach part (2) to part (1), then insert and secure cam lock (B) to part (2) to lock it.

Assembly Instructions

Step 5

CAM-LOCK

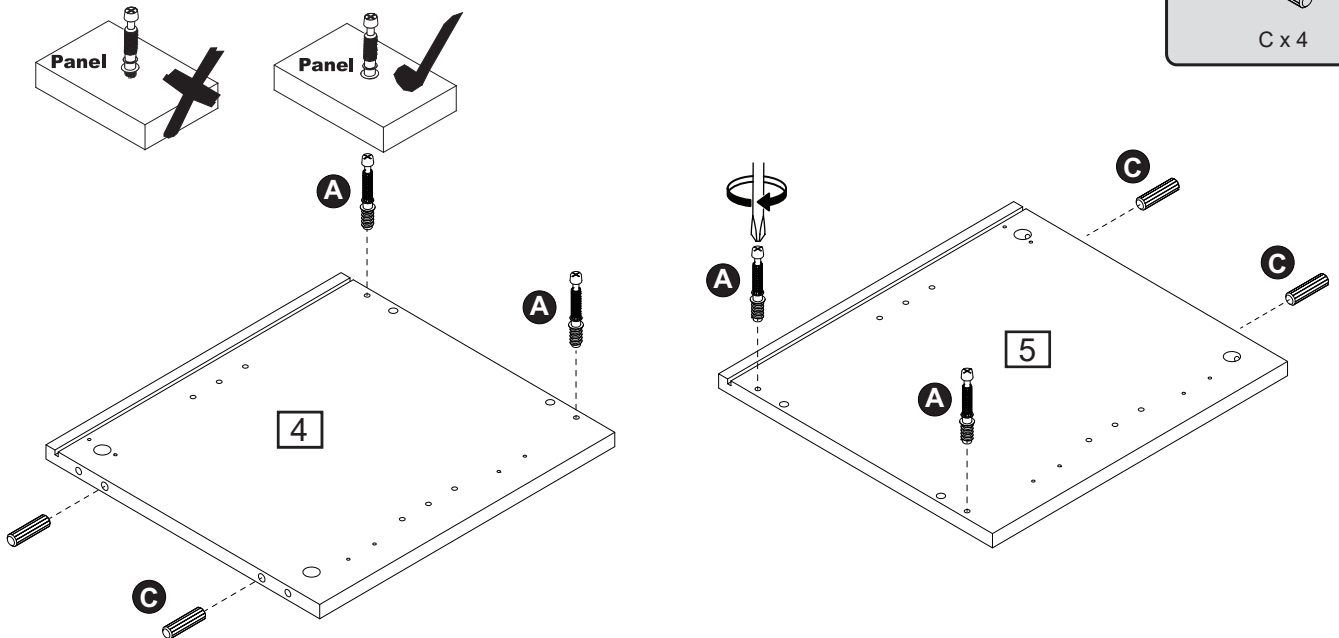
Tighten until shoulder is flush with panel. Do not overtighten or undertighten (see example below)



A x 4

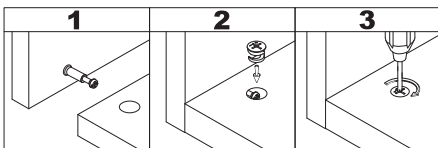


C x 4

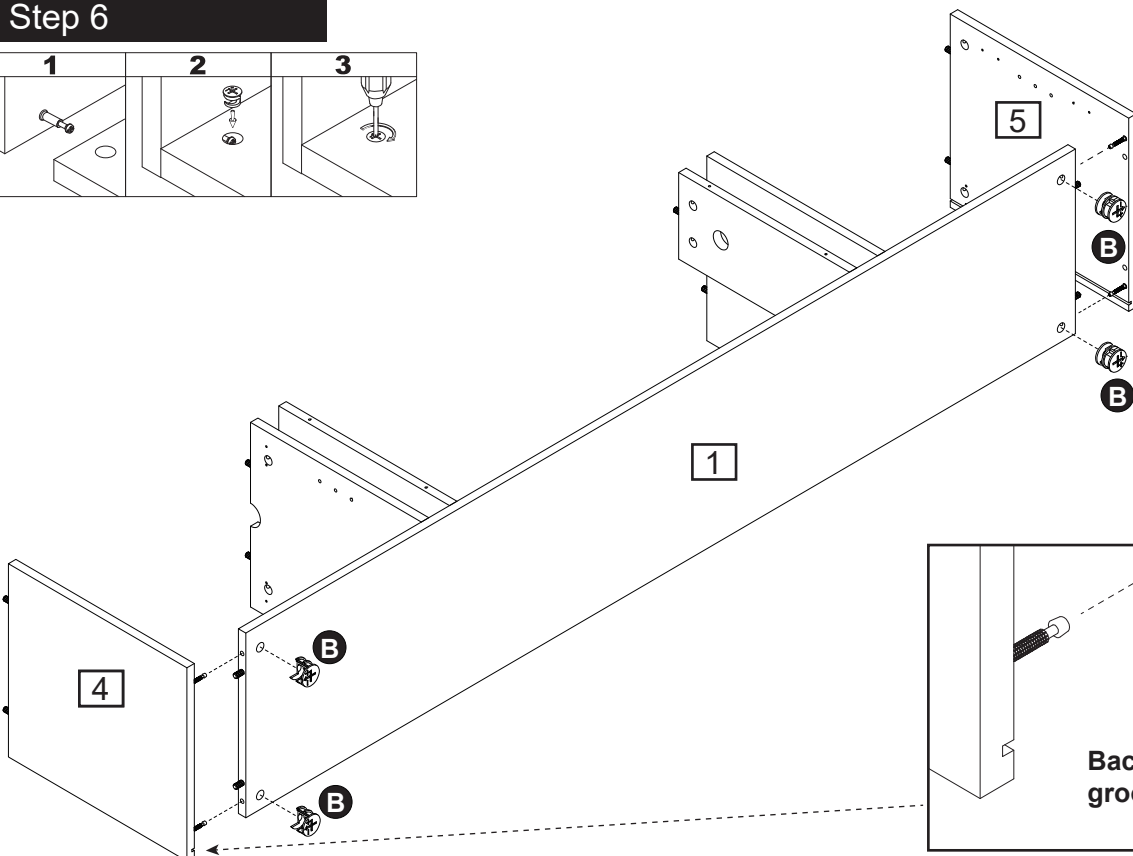


Attach cam bolt (A) to part (4,5) with a screwdriver.
Insert wooden dowel (C) into part (4,5).

Step 6



B x 4



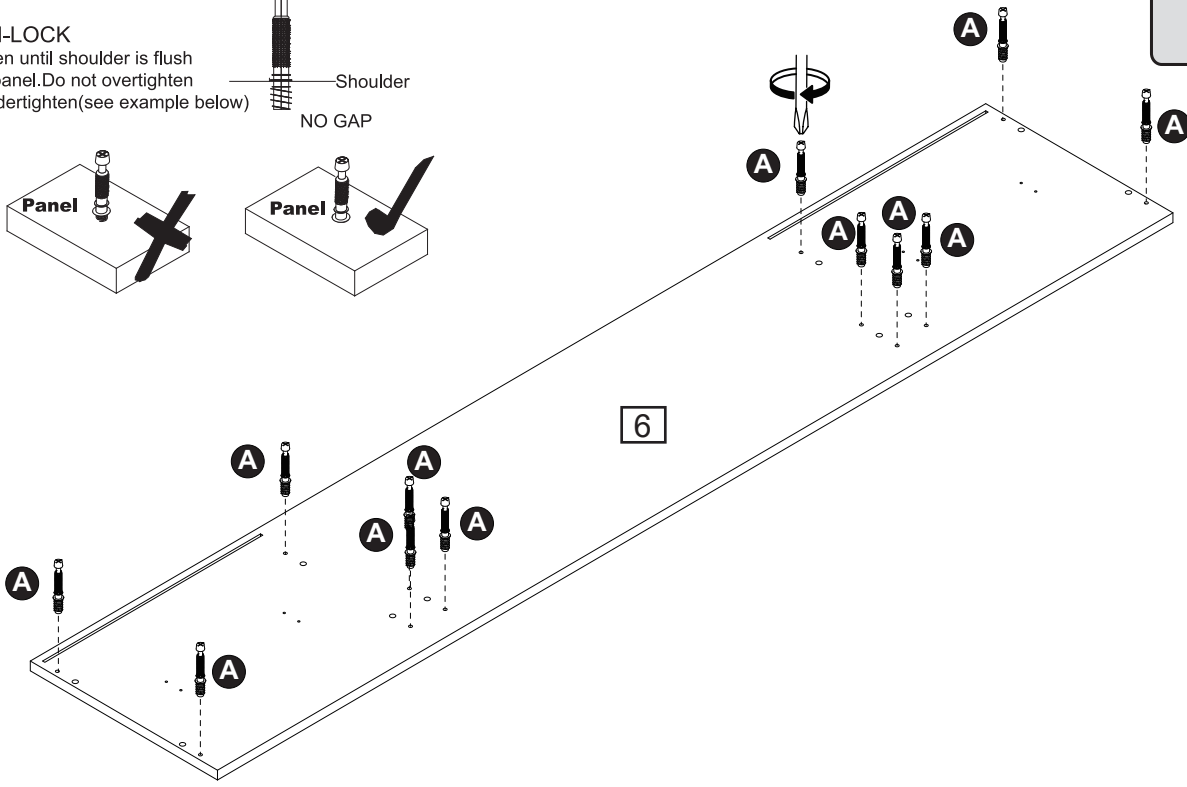
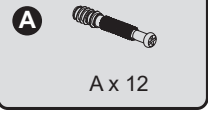
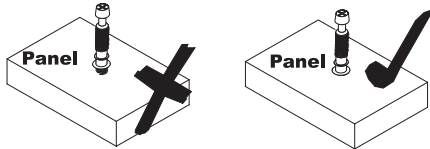
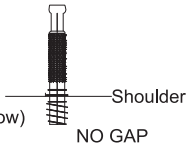
Attach part (1) to part (4,5), then insert and secure cam lock (B) to part (1) to lock it.

Assembly Instructions

Step 7

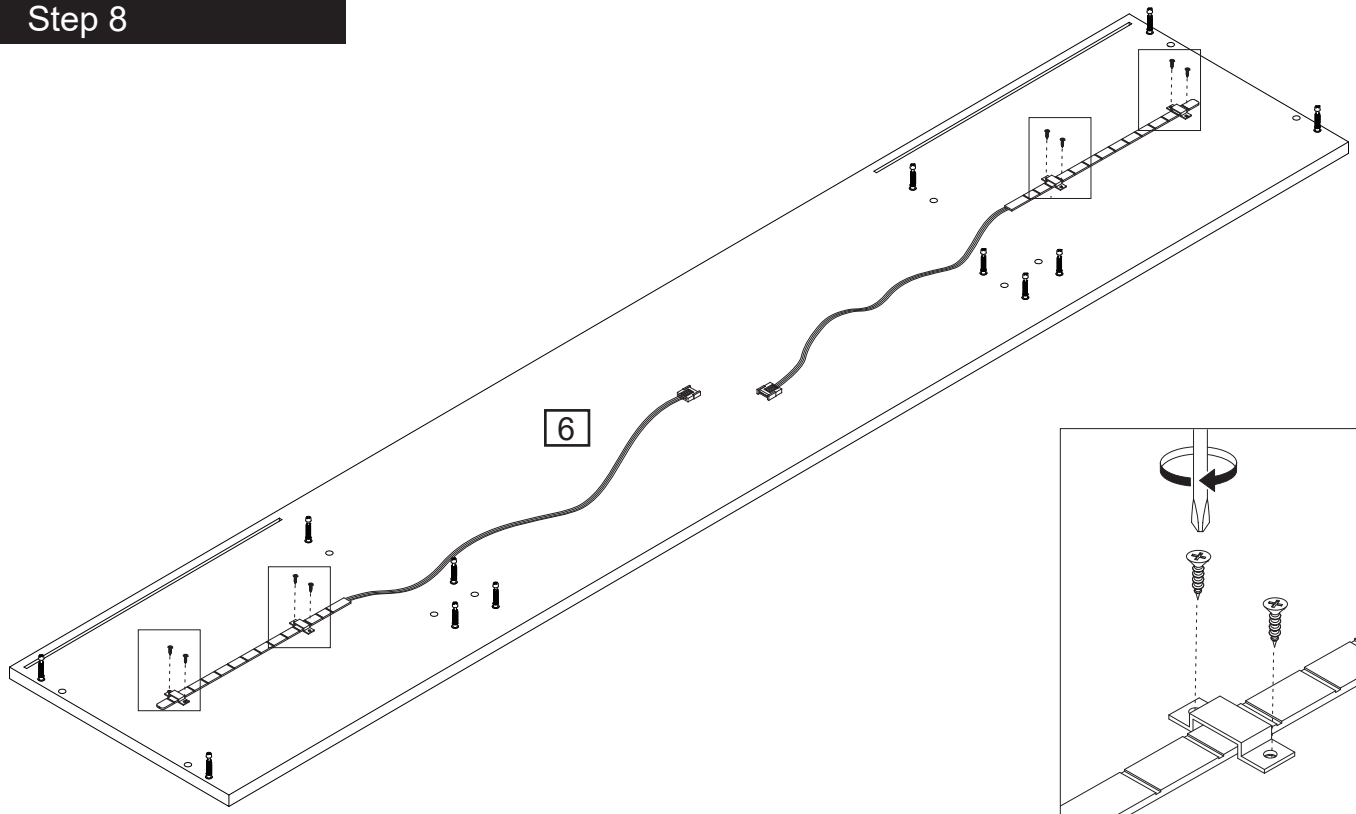
CAM-LOCK

Tighten until shoulder is flush with panel. Do not overtighten or undertighten (see example below)



Attach cam bolt (A) to part (6) with a screwdriver.

Step 8



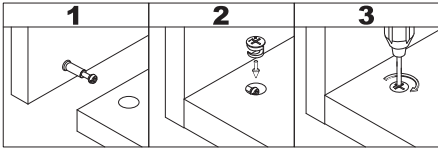
Attach LED lights to part (6)


Note: Assembly of LED Light is optional.

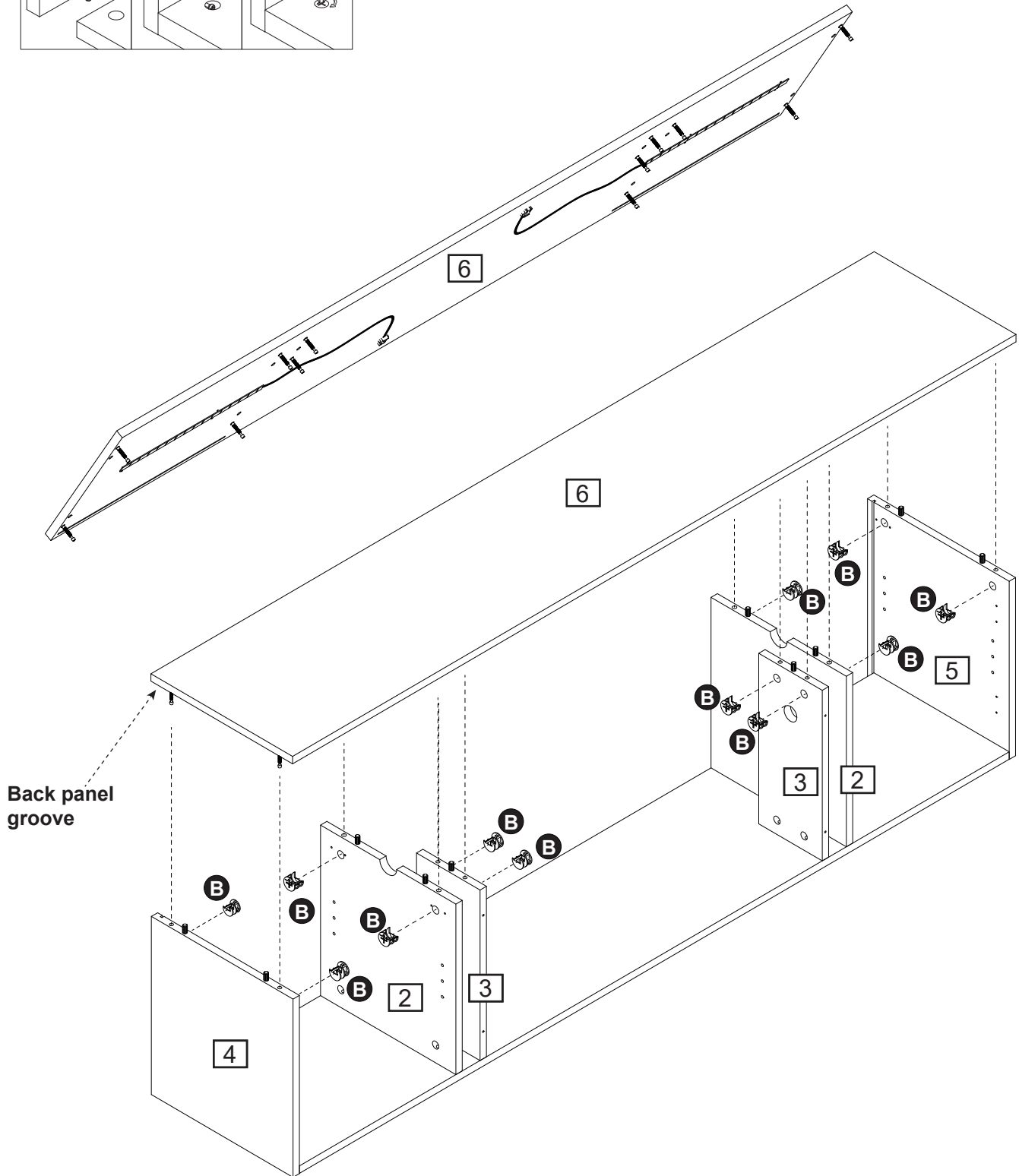
You can find buckles and screws in the box of the fireplace

Assembly Instructions

Step 9



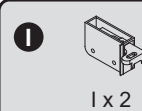
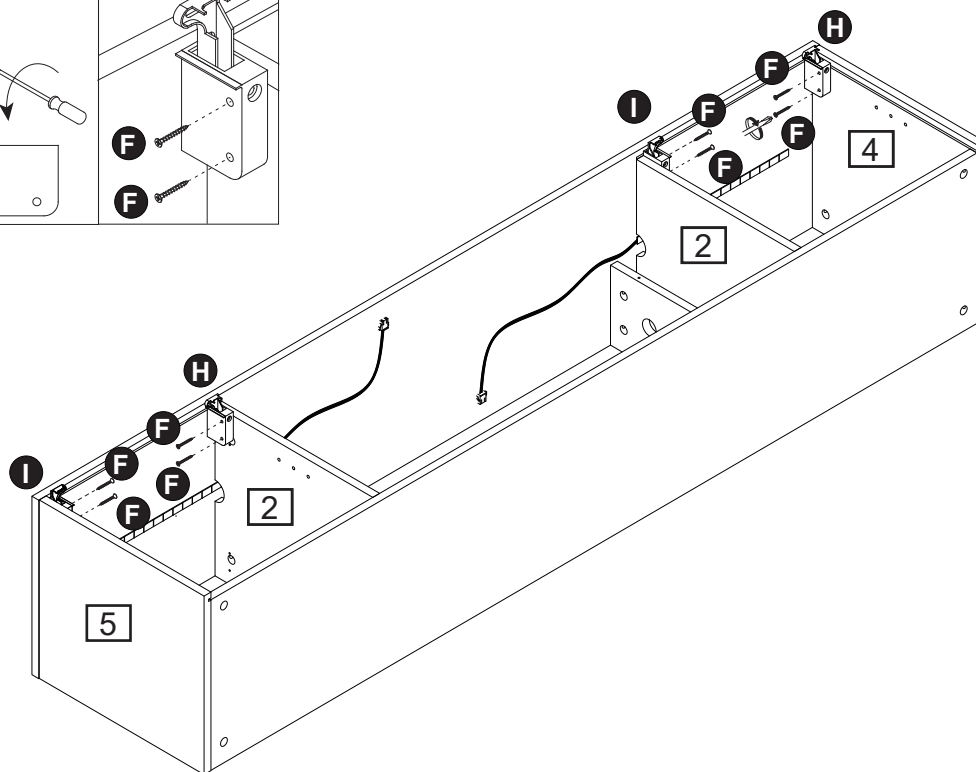
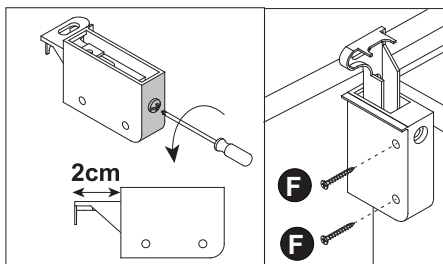
B 
B x 12



Attach part (2,3,4,5) to part (6), then insert and secure cam lock (B) to part (2,3,4,5) to lock it.

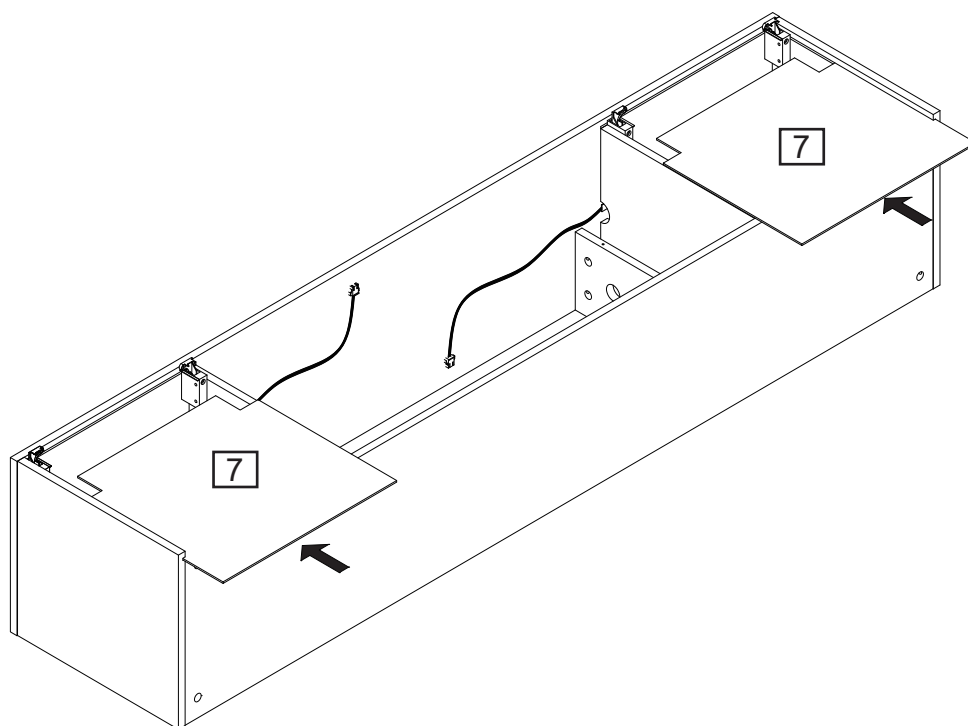
Assembly Instructions

Step 10



Insert wall mounting brackets (H & I) to the panels using screw (F) with a screwdriver.

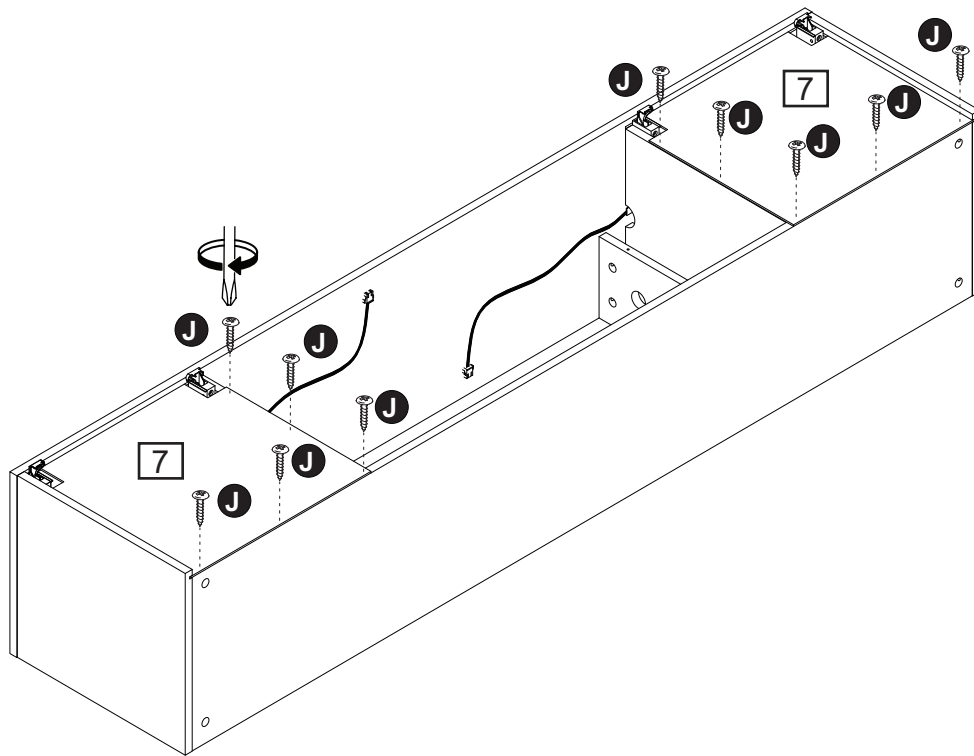
Step 11



Slide the back panel (7) into grooves as per diagram.

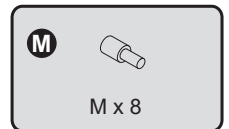
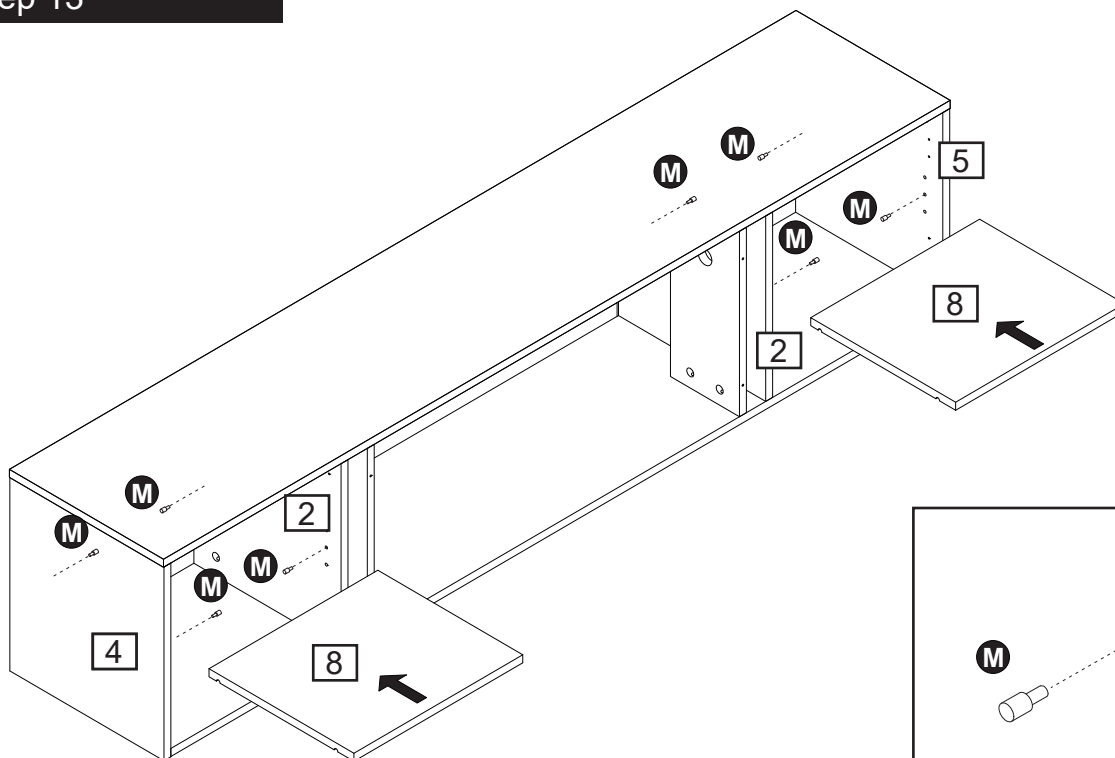
Assembly Instructions

Step 12



Use screw (J) to secure the back panel (7) with a screwdriver.

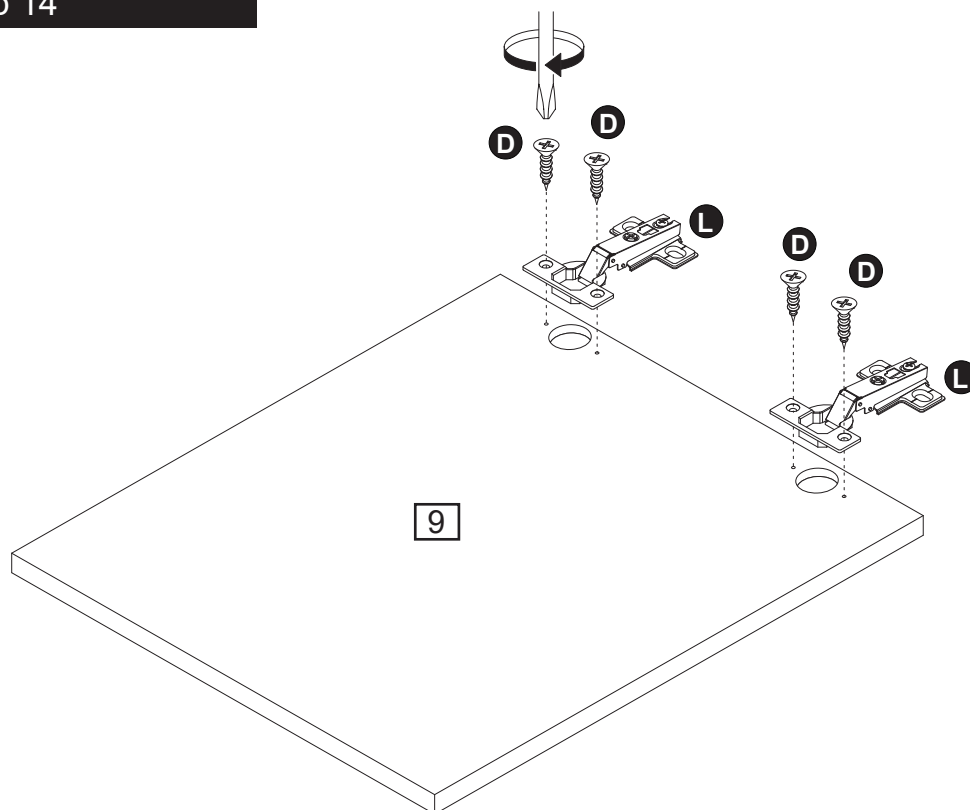
Step 13



Insert shelf support pin (M) into part (2,4,5), then place part (8) on the top of support pin.

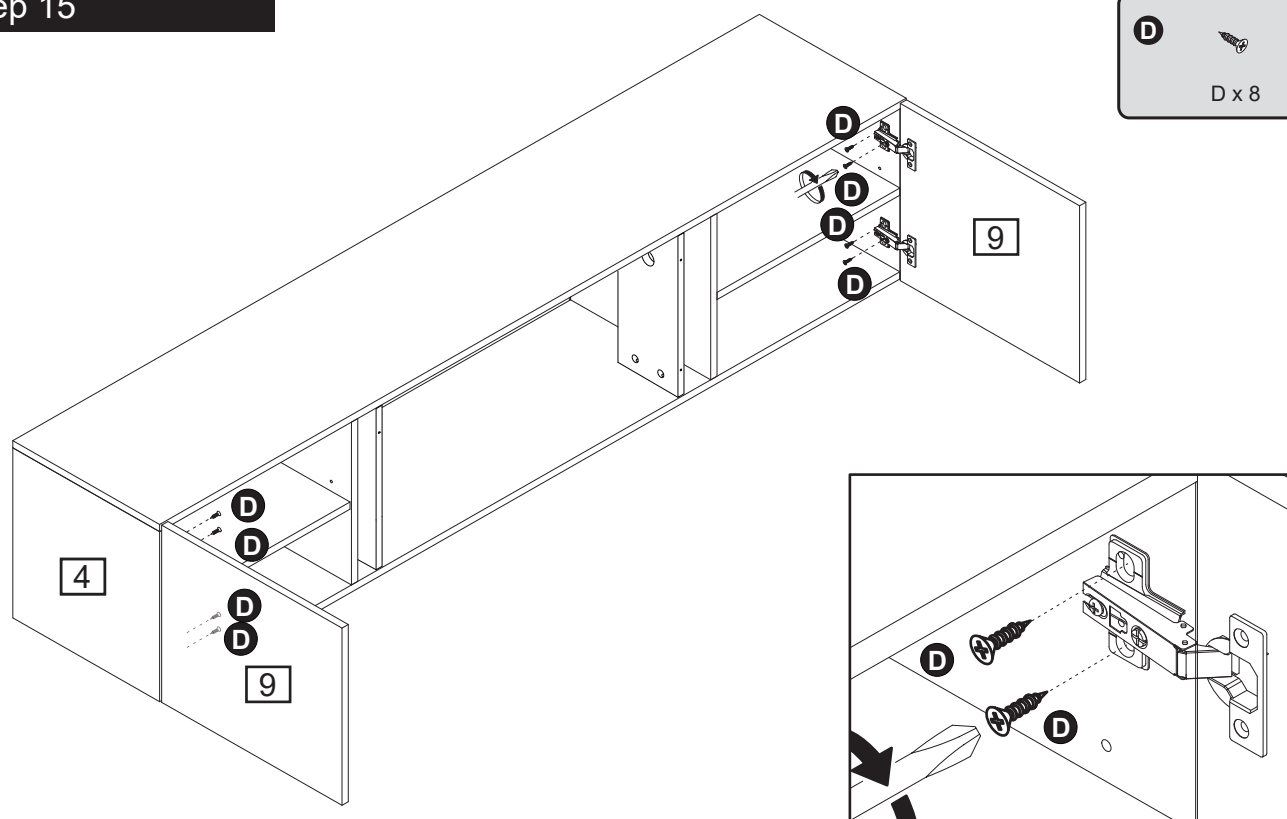
Assembly Instructions

Step 14



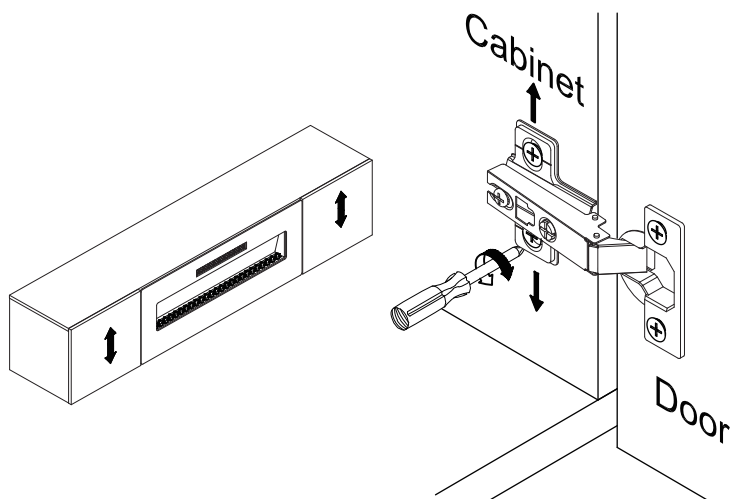
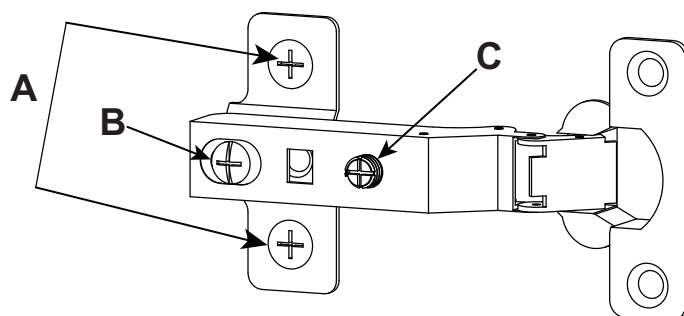
Use screw (D) to secure hinge (L) to door (9) with a screwdriver.

Step 15



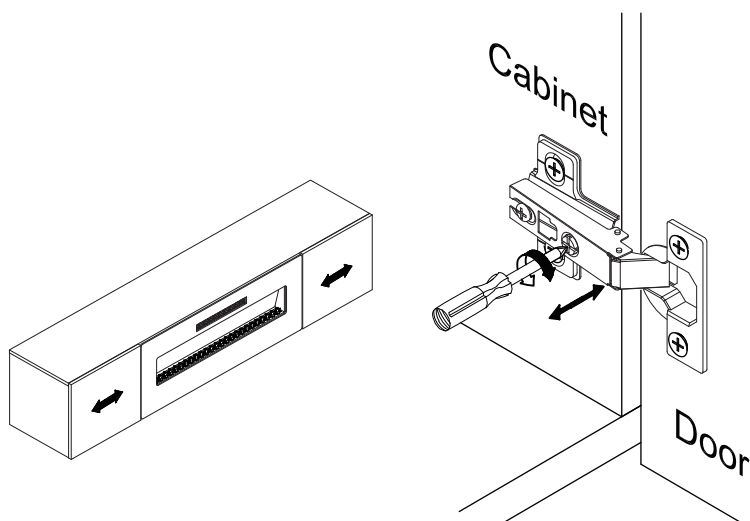
Use screw (D) to secure hinge (L) to part (4, 5) with a screwdriver.

Step 16



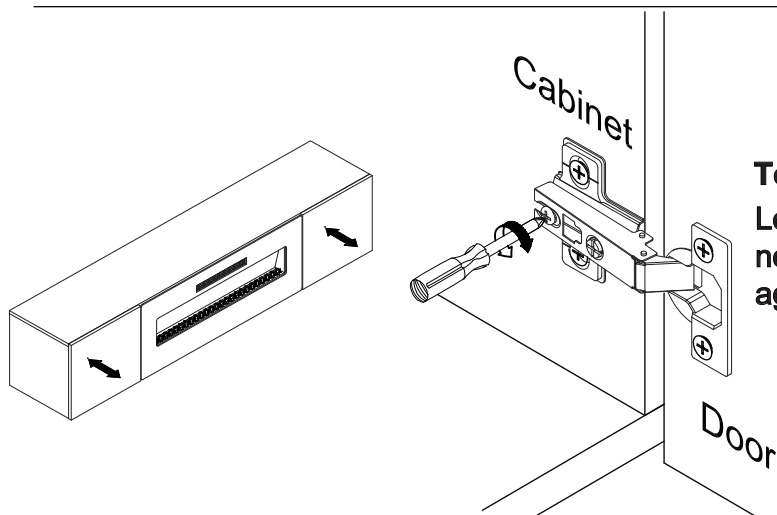
To adjust the vertical height.

Loosen the two screws "A" on both hinges. They are usually in slotted holes which allows you to adjust up or down by a few mm. Then tighten back up.



To adjust side ways.

Turning the screw "C" on BOTH hinges on each door.

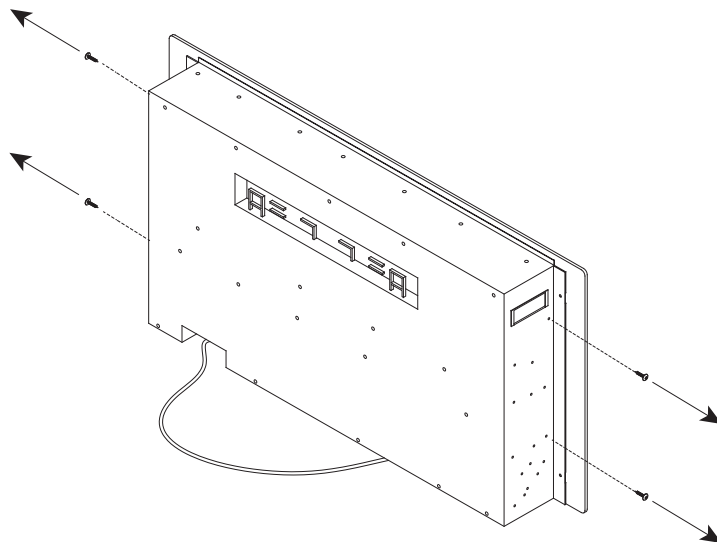


To adjust depth

Loosen screw "B" and adjust door, if the door can not be adjusted, please loosen screw "C", then try again. Tighten screw "B" and "C".

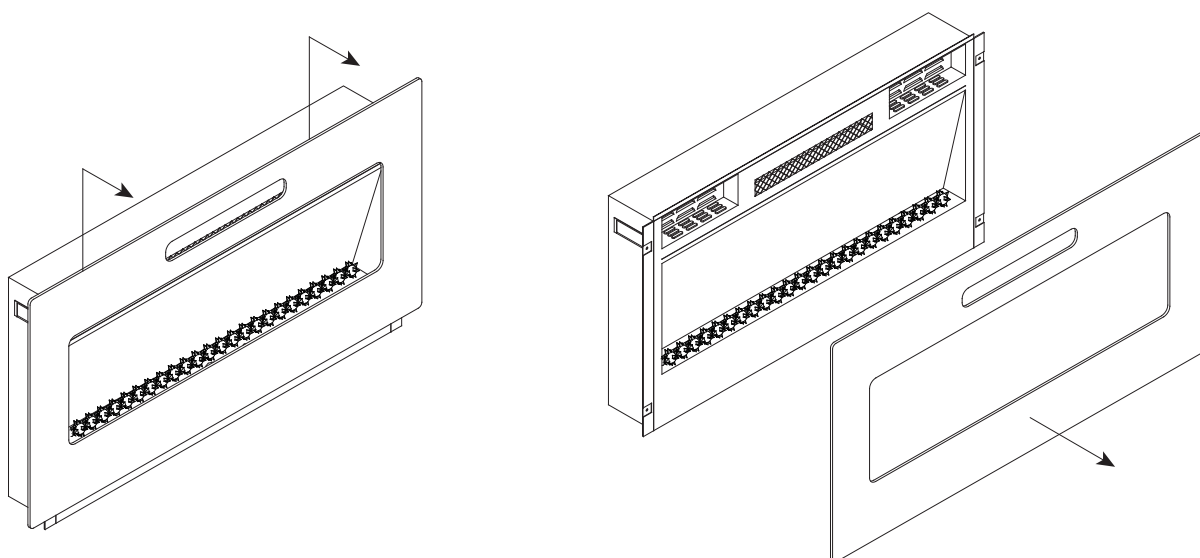
Assembly Instructions

Step 17



Before attaching fireplace to TV stand, unscrew four silver screws on the both sides of fireplace, and unscrew two screws on the front.

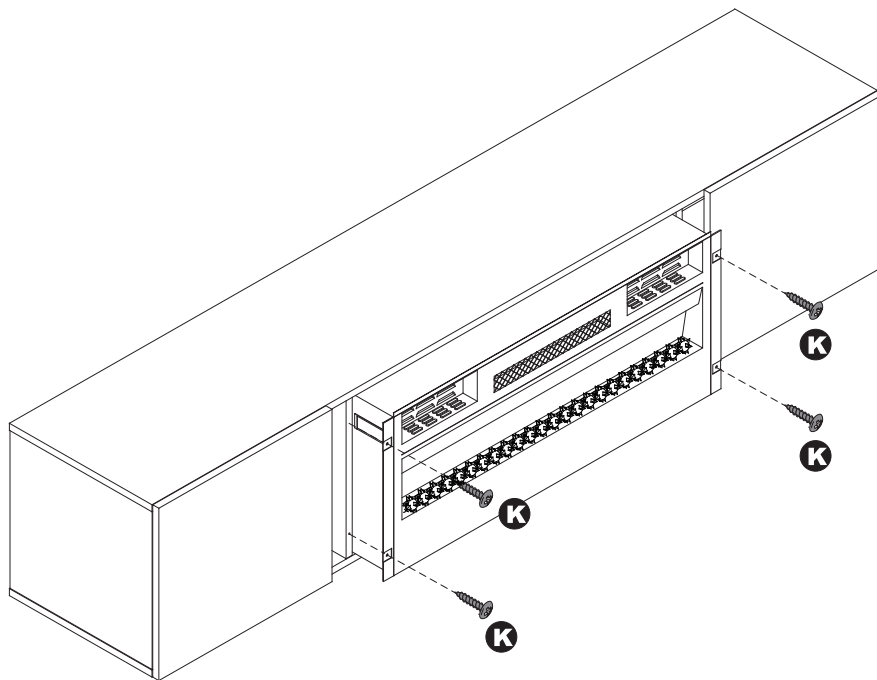
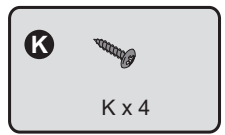
Step 18



Carefully remove the front glass, and place it on a soft and clean surface.

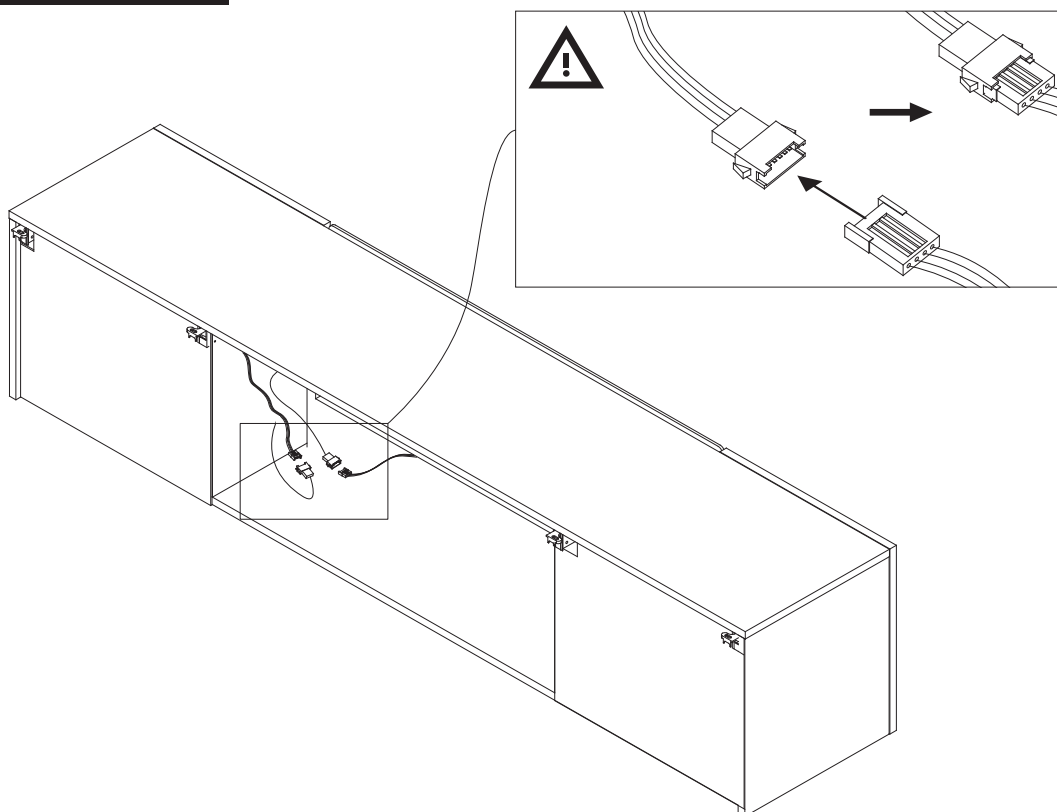
Assembly Instructions

Step 19



Assemble the fireplace insert to the stand and secure it with screw (K).

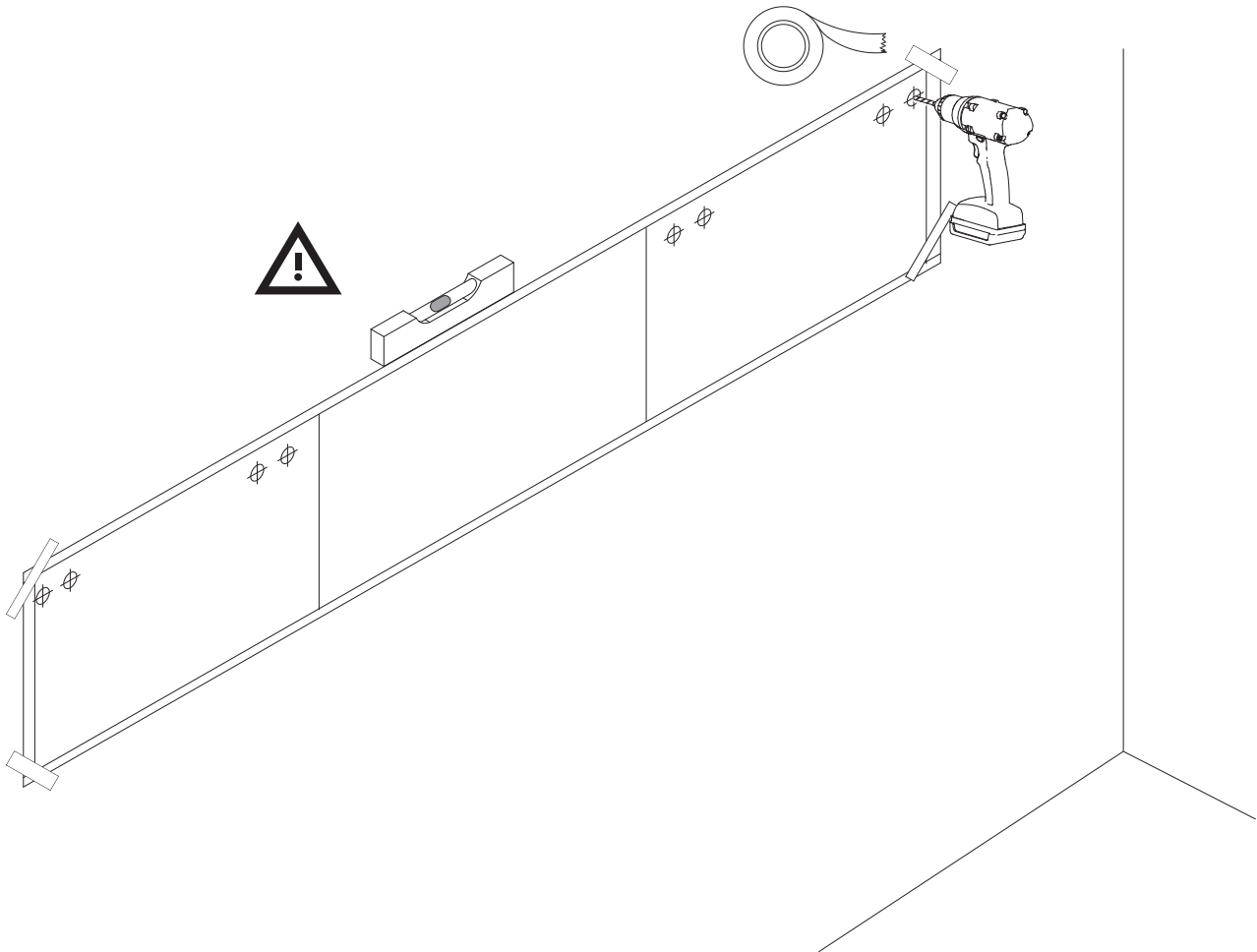
Step 20



Connect the LED lights with the power cables.

Assembly Instructions

Step 21



Tape the cardboard to the wall where the TV stand will be mounted

Drill the hole on the target mark on the cardboard.

Note1: Use a level to make sure the cardboard is level.

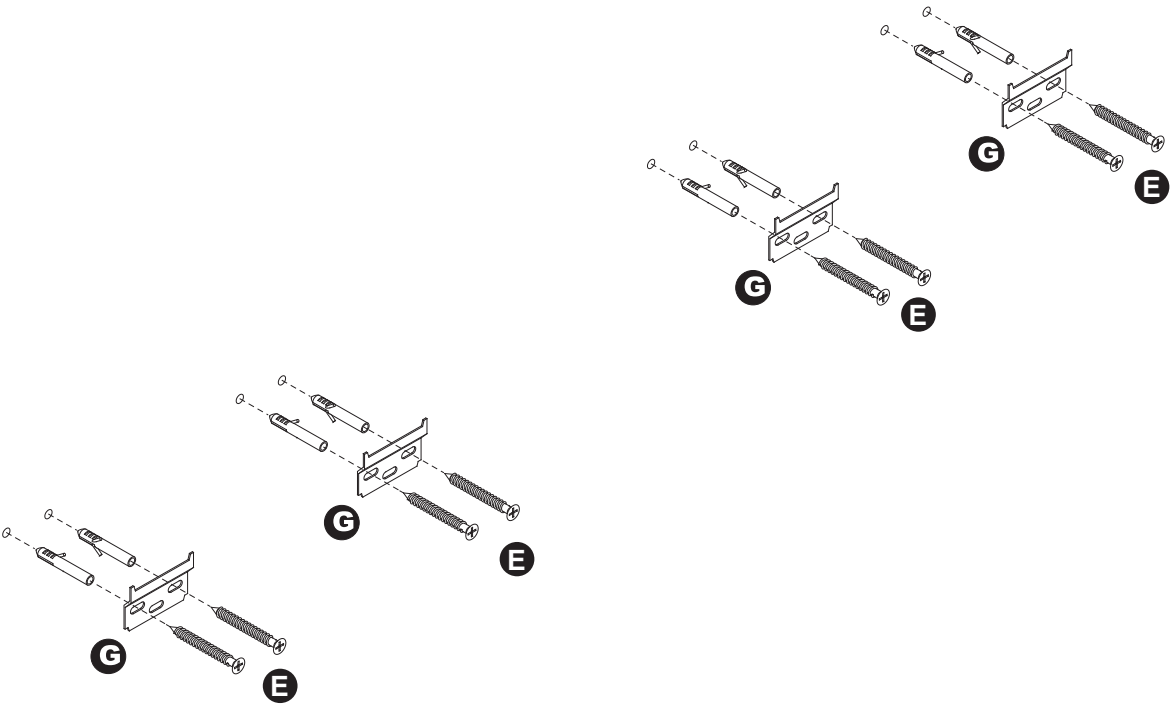
Note2: Always ensure the wall to be drilled is free from hidden electrical wires, water and gas pipes.

Assembly Instructions

Step 22

E 
E x 8

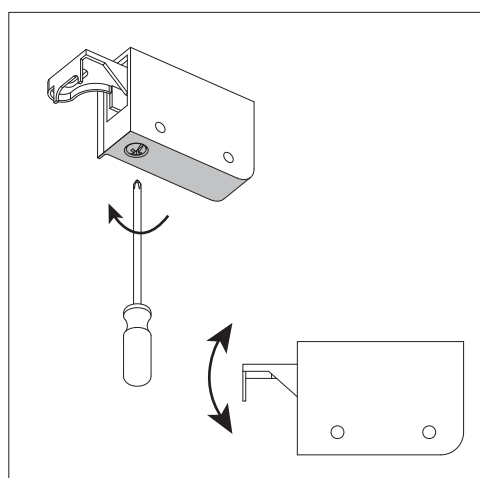
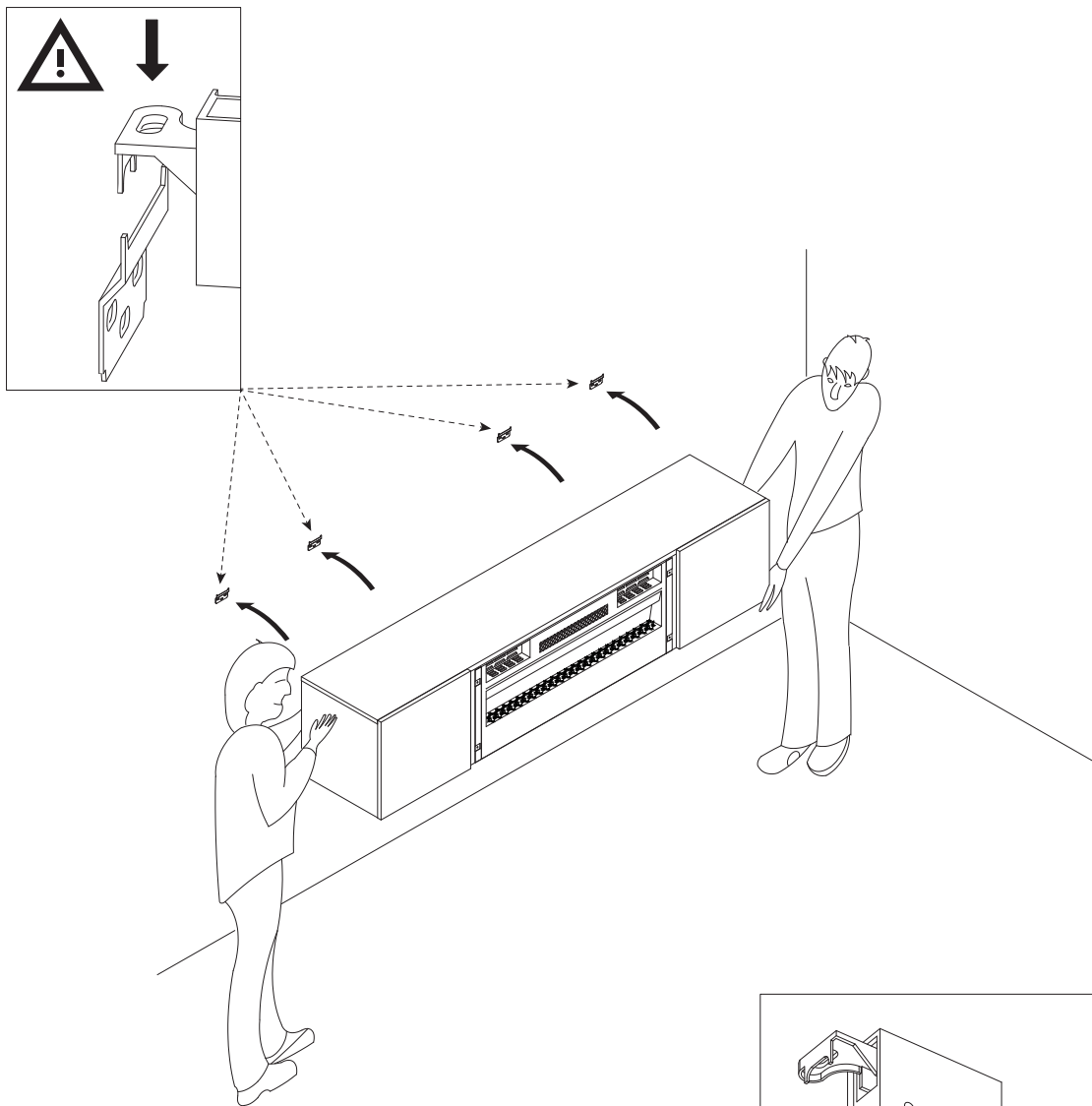
G 
G x 4



Insert appropriate wall plugs into each hole,
then install cleat (G) to the wall using screw (E).

Assembly Instructions

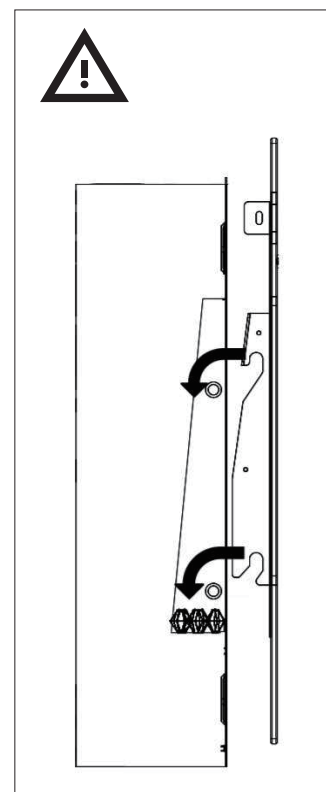
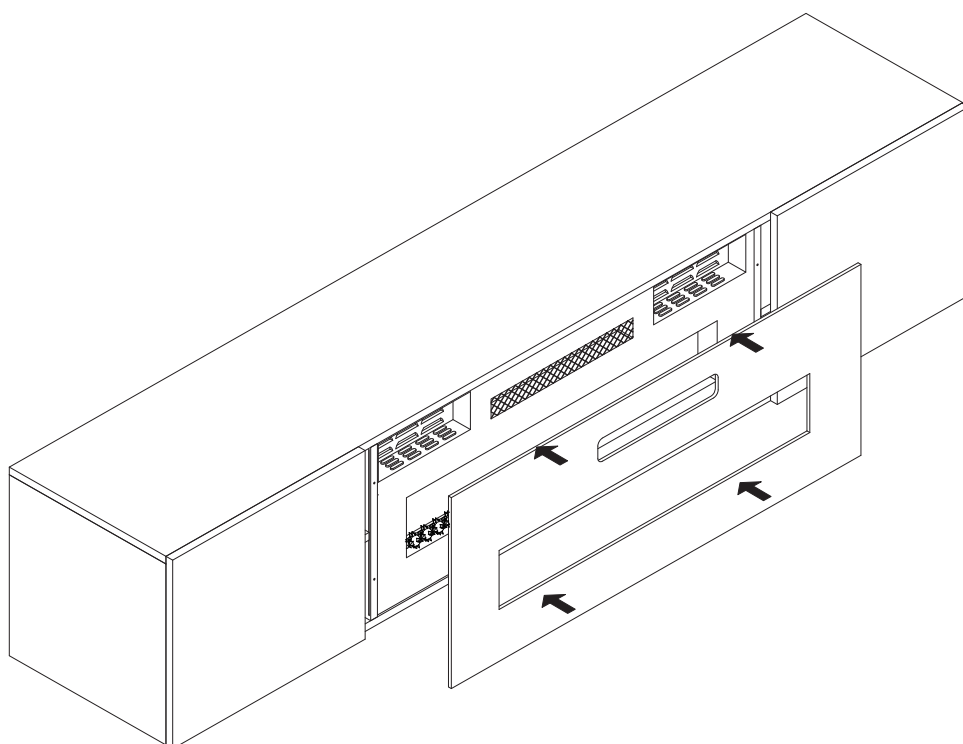
Step 23



Make sure all 4 brackets and cleats are securely interlocked.

Assembly Instructions

Step 24



Attach the glass front to the fireplace.

A Guide to Wall Mounting & Fixings

Important note:

If plastic wall plugs (rawl plugs) are supplied with your product, e.g.:



- these are only suitable for use in masonry walls.

If you are in any doubt about the correct wall plugs for your wall, seek professional advice.


Failure of the product due to using the incorrect fixings is the responsibility of the installer.



Important: when drilling into walls always check that there are no hidden wires or pipes etc.

Make sure that the screws and wall plugs being used are suitable for **supporting your unit**. **Consult a qualified tradesperson if you are unsure.**

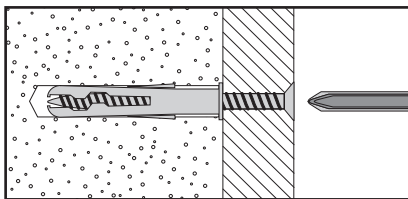
Hints:

- 1: General rule:  always use a larger screw and wall plug if you are not sure.
- 2: Ensure you use the recommended drill bit to match the wall plug and hole size.
- 3: Ensure you drill the hole horizontally; do not force the drill or enlarge the hole.
- 4: Take extra care when drilling high walls, ceilings and ceramic tiles. Ensure wall plugs are inserted beyond the thickness of the ceramic tiles to avoid the tiles splitting or cracking.
- 5: Ensure wall plugs are well fitted and are a tight fit in the drilled hole.

Types of walls

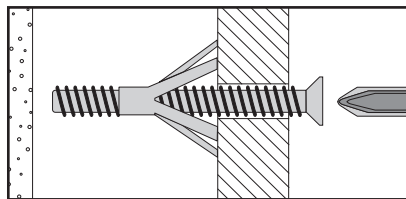
You can use one of the following types of wall plug if your walls are made of brick, breeze block, concrete, stone or wood.

No.1 "General Purpose" wall plug



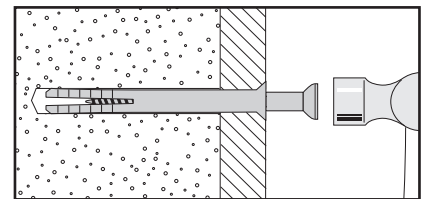
Generally aerated blocks should not be used to support heavy loads, use a specialist fitting in this case. For light loads, general purpose wall plugs can be used.

No.3 "Cavity Fixing" wall plug



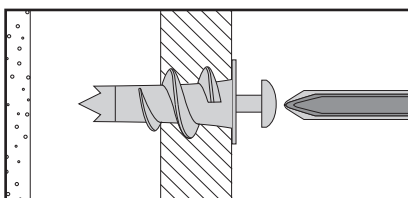
For use with plasterboard partitions or hollow wooden doors.

No.5 "Hammer Fixing" wall plug



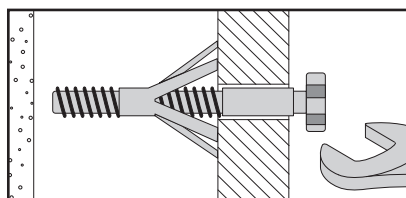
For use with walls stuck with plasterboard. The hammer fixing allows it to be fixed to the wall rather than the plasterboard. Always check the fixing is secure to the retaining wall.

No.2 "Plasterboard" wall plug



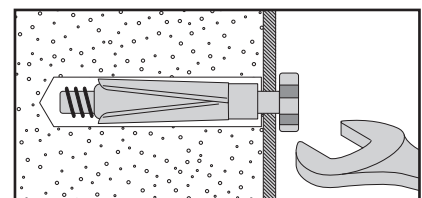
For use when attaching light loads onto plasterboard partitions.

No.4 "Cavity Fixing - Heavy Duty" wall plug



For use when fitting or supporting heavy loads such as shelving, wall cabinets and coat racks.

No.6 "Shield Anchor" wall plug - heavy loads



For use with heavier loads such as TV and HiFi speakers and satellite dishes etc.



Care & Maintenance

Safety: always check the fitting and location to ensure your safety in and around the home.

Fitting: from time to time check the fitting to ensure the wall plugs or screws do not become loose.