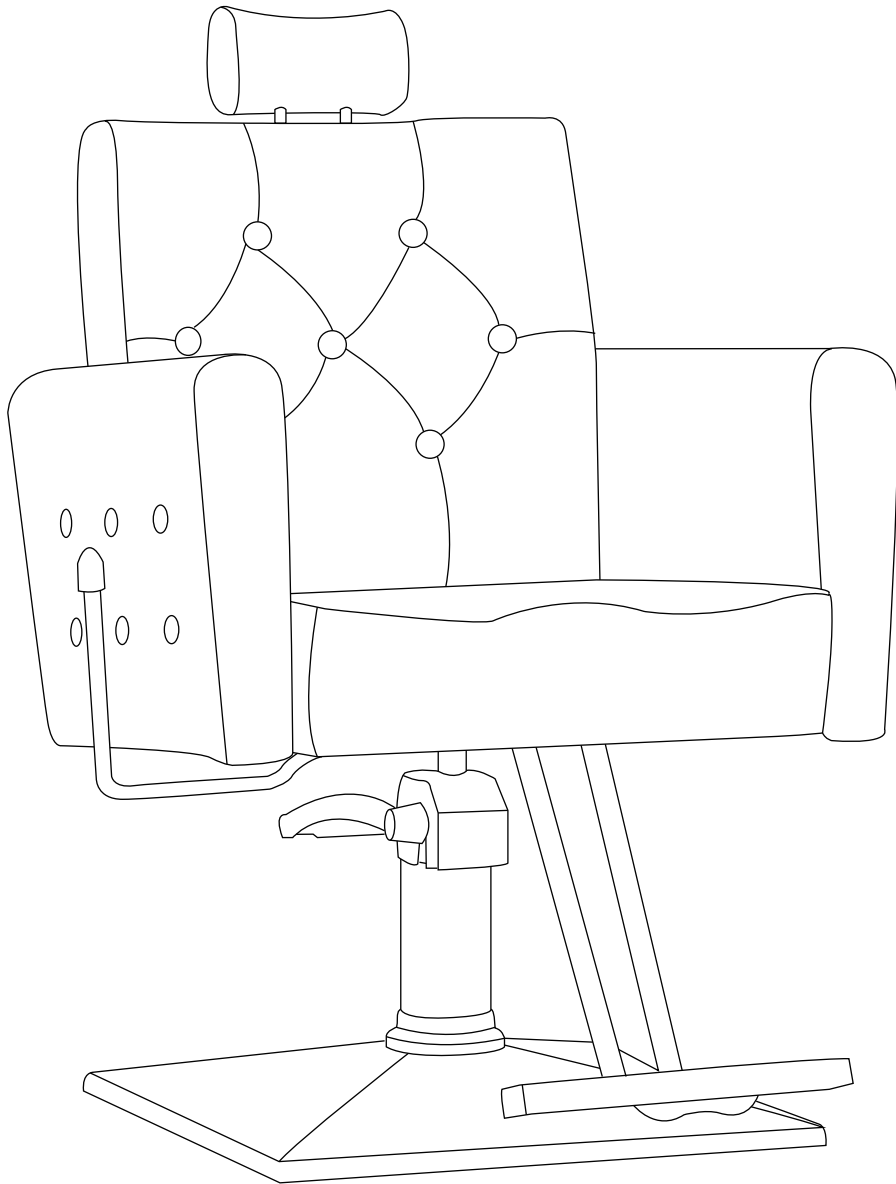
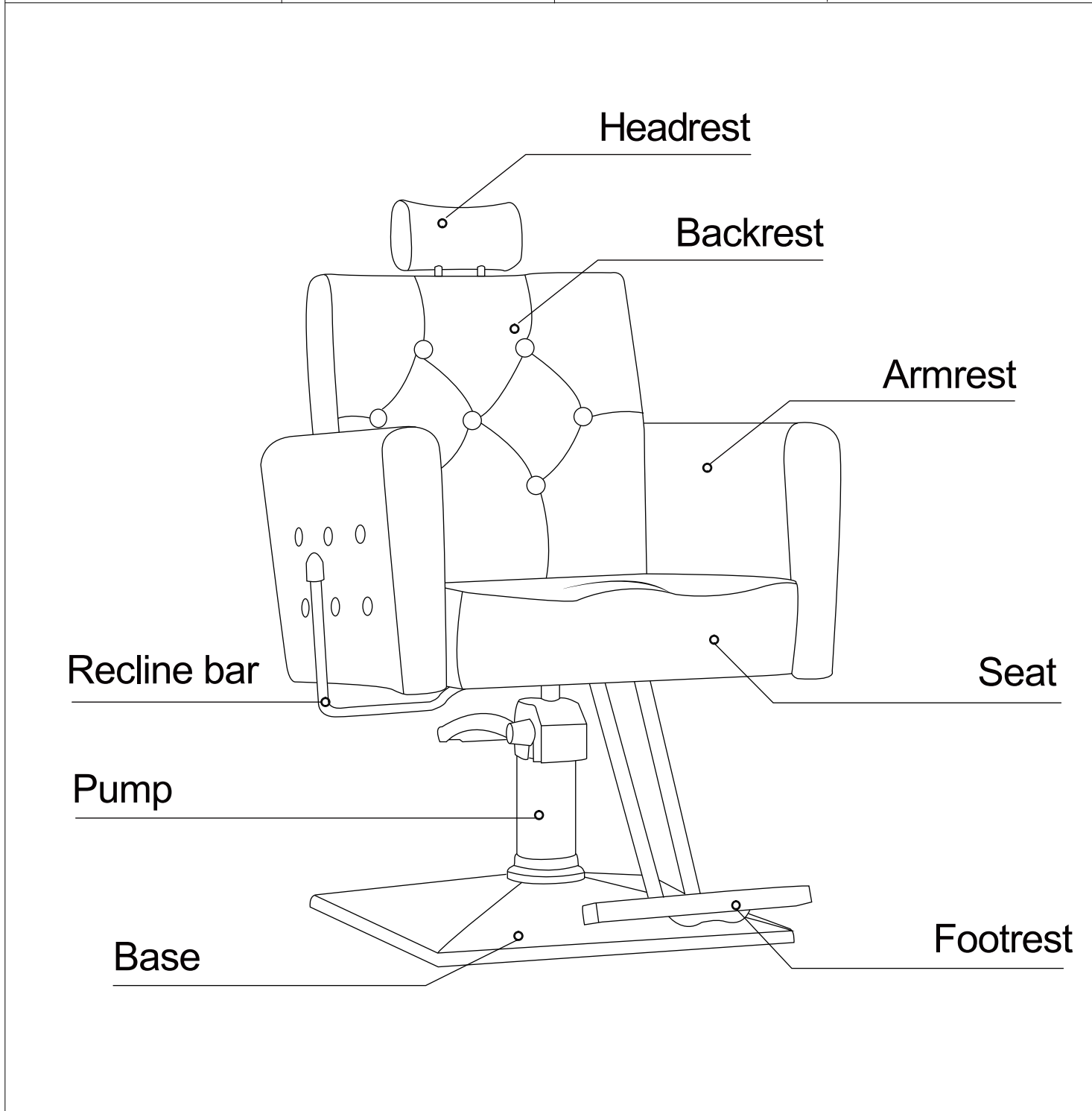
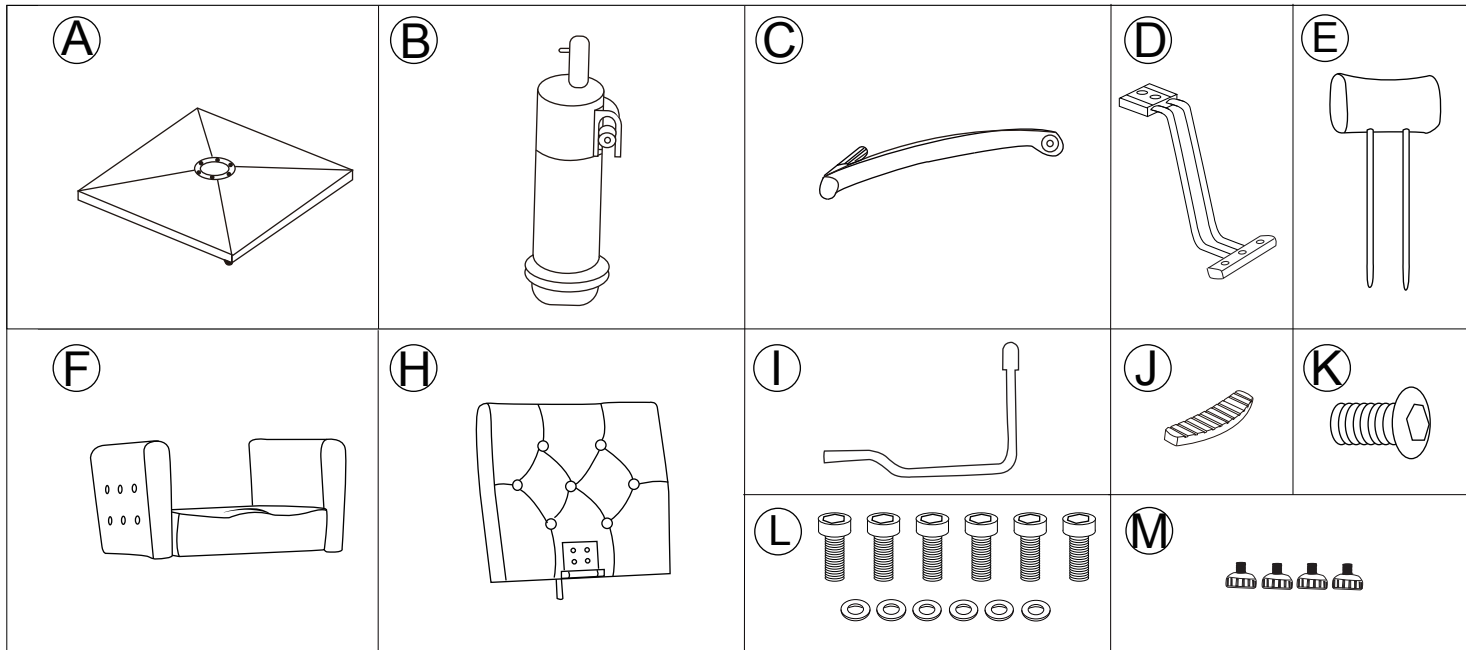
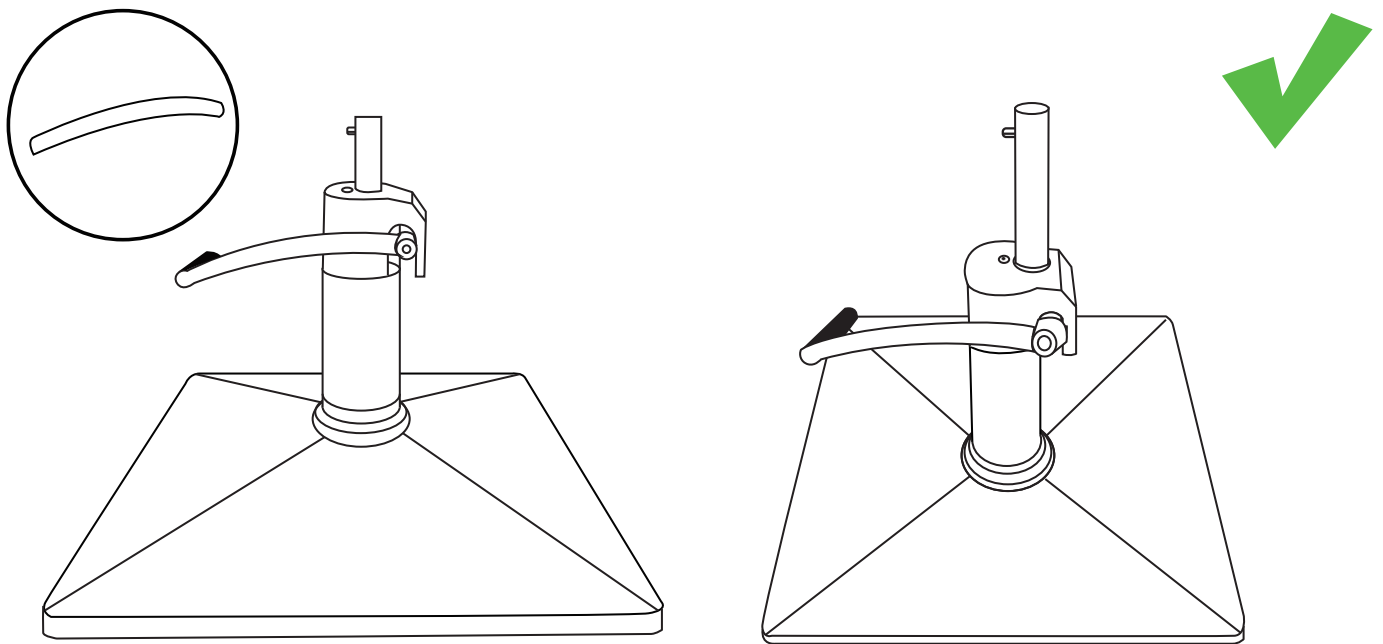


User Guide



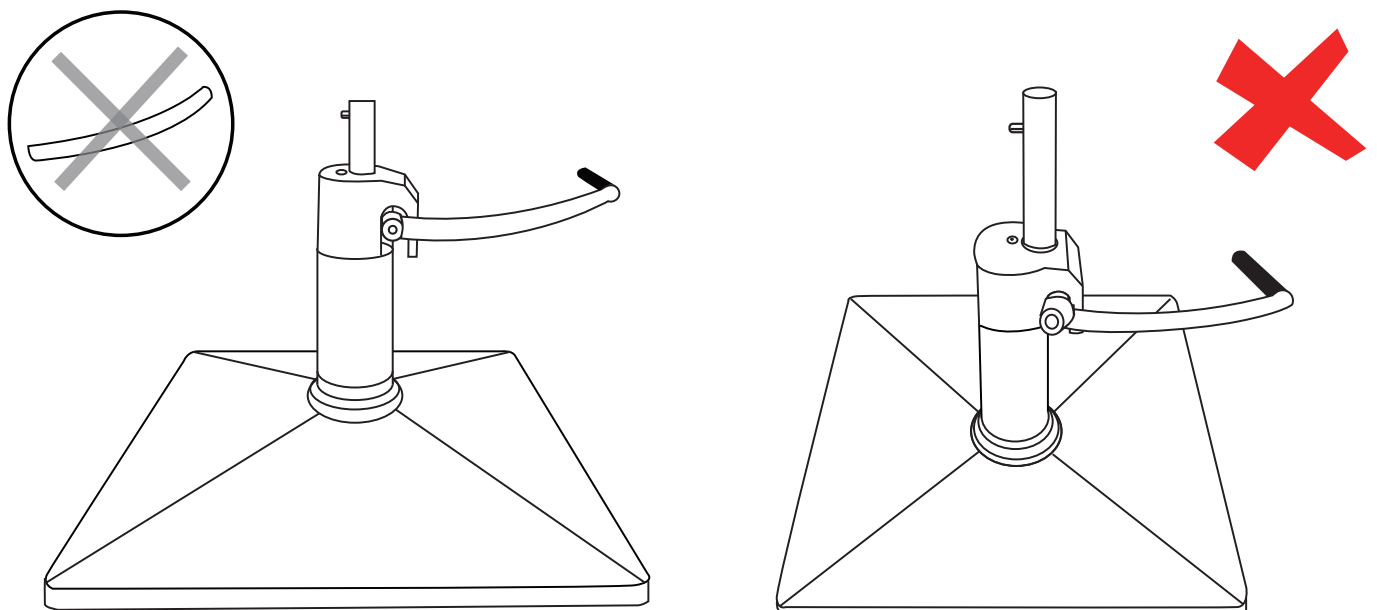


Correct Installation



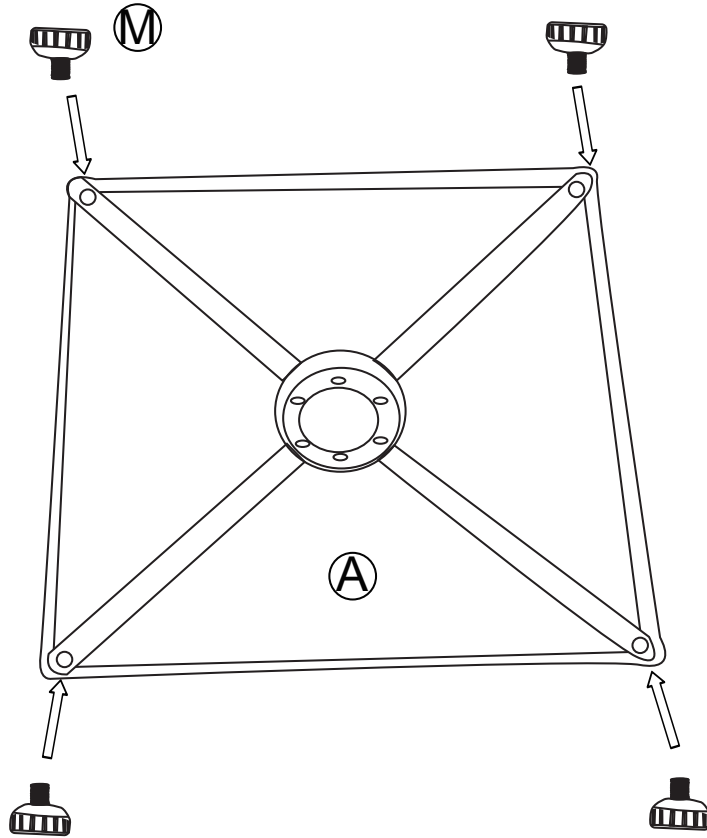
Please assemble the foot lever at the side which near the pump rod. Please note that the curved part of the foot lever should be upward.

Incorrect Installation



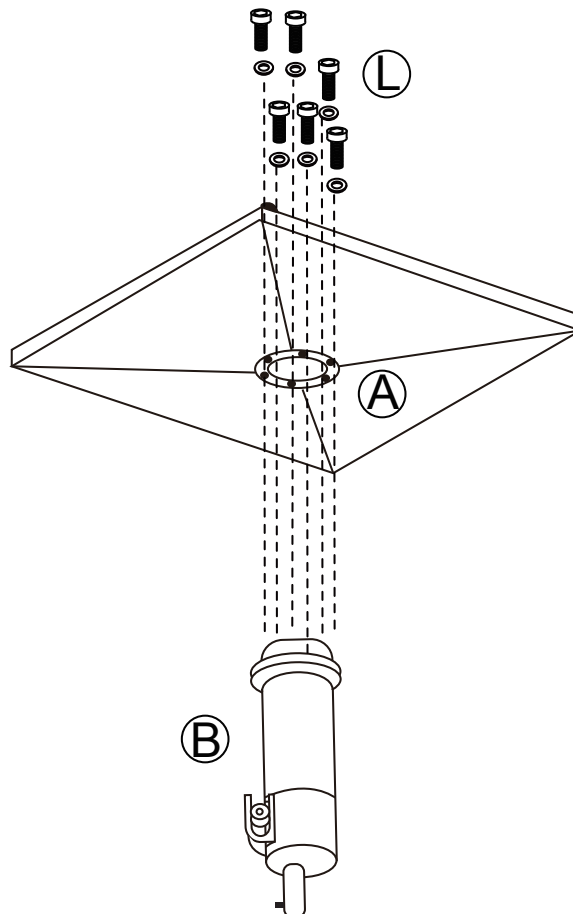
Please notice the direction of the foot lever and the insert direction when installing the foot lever.

1



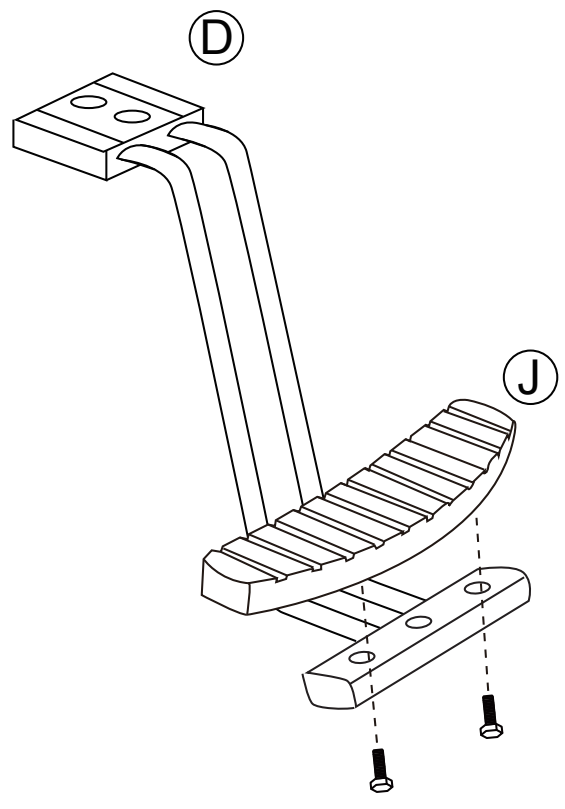
Please screw 4 pins up to base

2



Please install pump into the base.

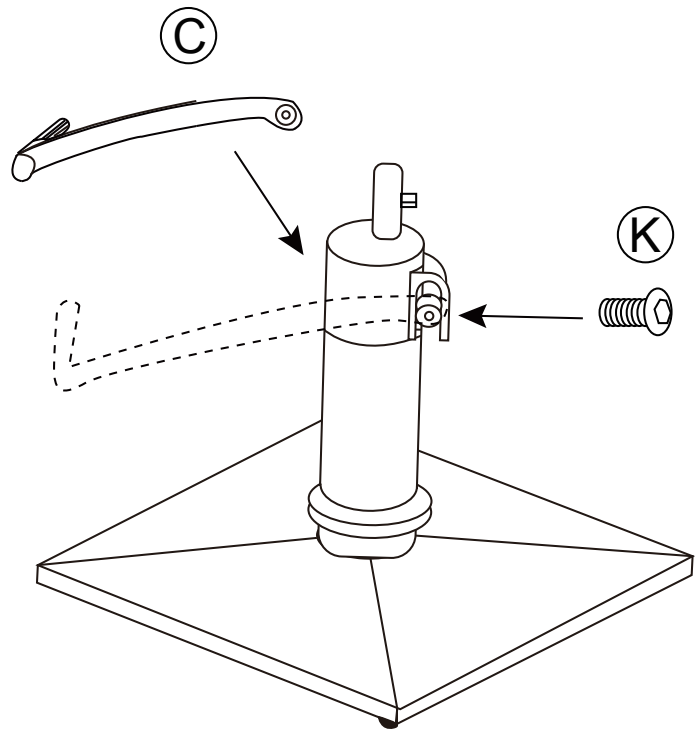
3



Please using 2 screws to assemble the footrest.

Note: The screws are pre-positioned on the footrest.

4

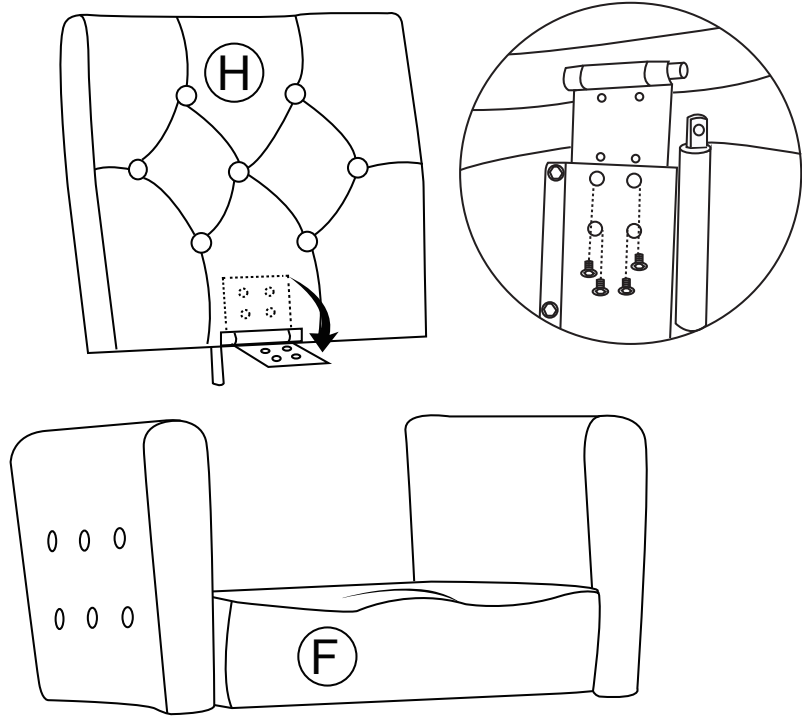


Please install the foot lever.

There is a flatgroove inside the pump, please align the foot lever with the flat groove and knock foot lever with the flat groove and knock it in by hammer.

Note: Please turn the screw on counterclockwise.

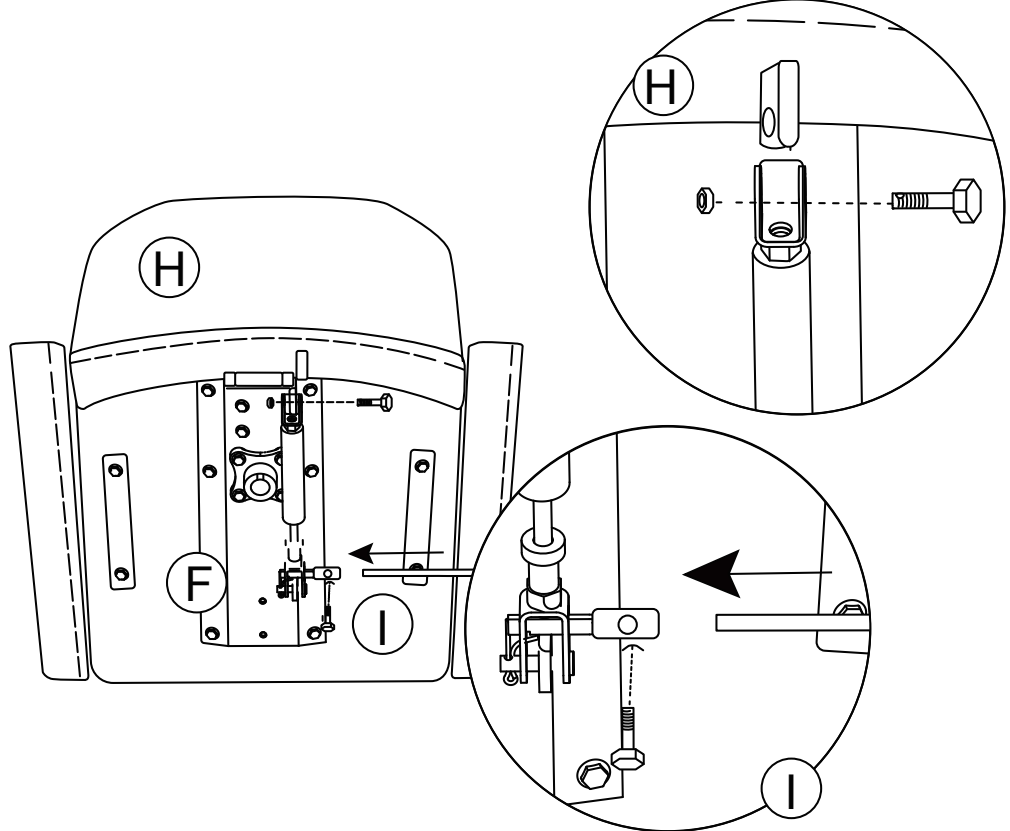
5



Please rotate the metal piece to 90°, align it with 4 holes on seat cushion and screws the backrest on seat cushion.

Note: 4 screws are pre-installed in the backrest.

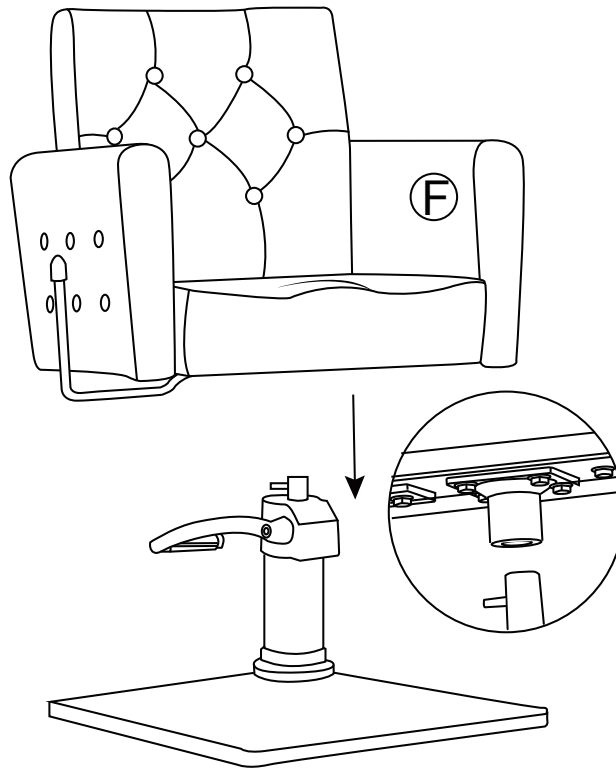
6



Please install the gas piston on the seat cushion.
Please align the hand lever with the holes on seat cushion and using screw to assemble it.

Note: The screw is pre-installed on the seat cushion.

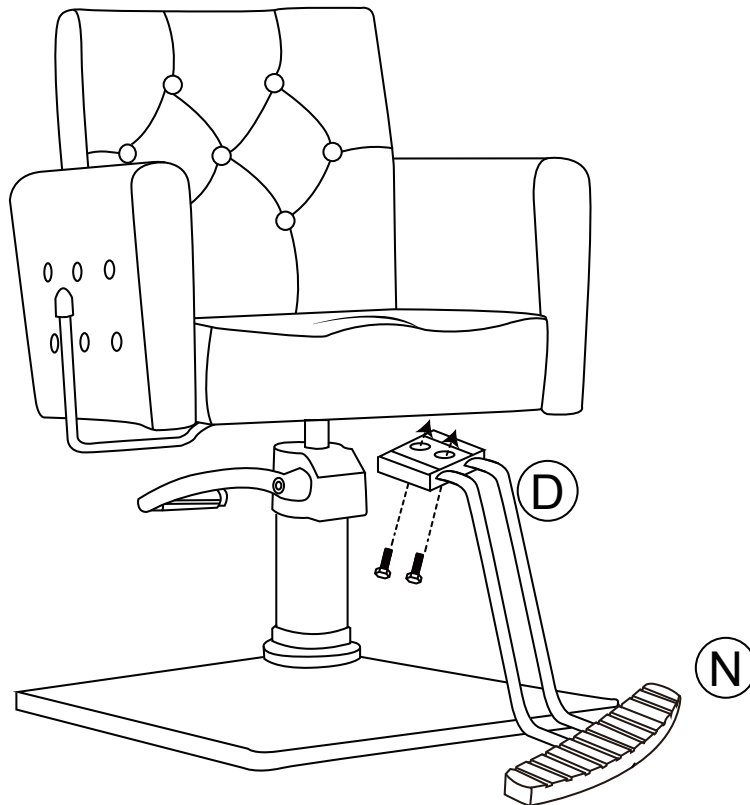
7



Please place the seat on the pump.

Note: When the seat is placed on the pump, the latch of the pump needs to be aligned with the grooves of the tray.

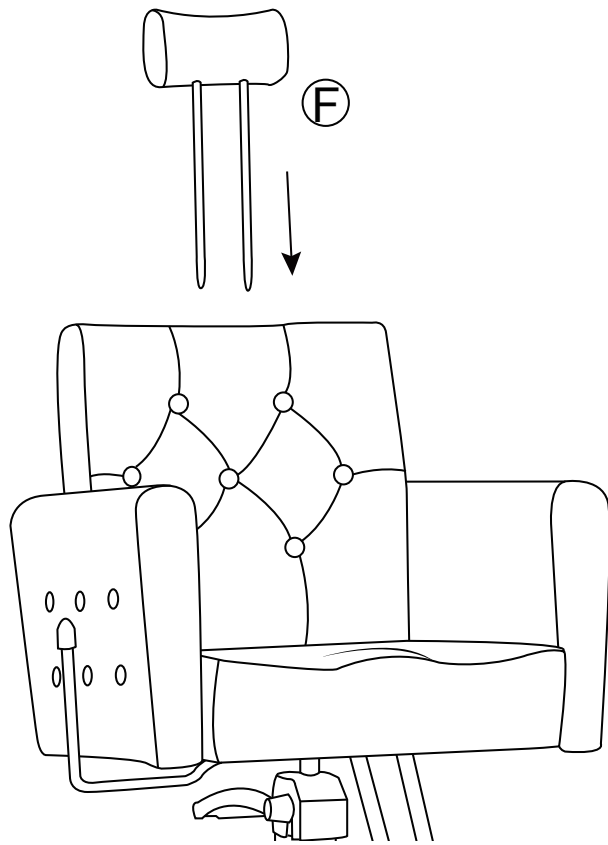
8



Please use the screws to assemble the footrest pedal on the footrest frame, and install the footrest under the seat frame.

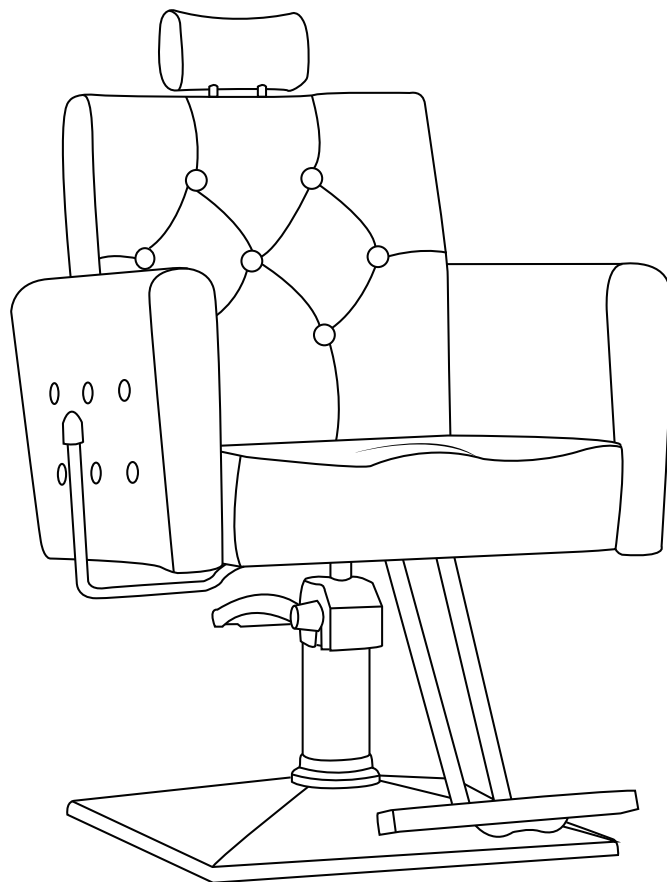
Note: The screws are pre-positioned in the seat frame and the metal pedal.

9



Please insert the headrest in the backrest

10



COMMON PROBLEMS AND SOLUTIONS

Pump Not Working at All

Solution: It is because the pump got locked. Please push the lever to the lowest position and hold it for a few seconds, then it will be unlocked.

Pump Not Working Properly

Solution 1: The failure of pump to rise and down may cause by the wrong direction of the foot lever installation. Please take off the footrest first, then turn the foot lever in the opposite side and plug it into the pump again. For further details, please check the prompts in installation steps.

Solution 2: If the foot lever in the correct direction, the problem may cause by the air inside of the pump. For this circumstance, please rise the chair to highest position and then lower the chair to lowest position. Then, repeat the process several times. The pump should work properly.

Pump Goes Down by Itself

When you pump up the chair in daily uses, please do not tread the foot lever to the end. Please pump up the chair bit by bit from the lowest position to the highest position (without people sitting). Please upward the foot lever and let someone sit on the chair to see if the problem still exists, if the issue still exists, please contact us.

Difficult to Rotate

Solution 1: The issue may cause by wrong seat cushion installation, for placing the seat to the bottom, please push the seat down and it will be locked automatically.

Solution 2: The pump has two screws inside. Please remove the pump cover and loose the screws on the pump, which will make the chair to spin free.

Recline Not Working

Solution: If backrest cannot move forward or backward, please adjust the gas piston for the recliner. There is a screw on the piston, you need to adjust it a little bit to make the recliner works.

Chair Slant Forward

Solution: The issue is caused by wrong side bracket installation. There is a bracket between seat and pump. The bracket is not flat, it is designed in that way. Please put the thick side to the back, and thin side to the front, then the chair should work properly.

If you have any unsolvable problems, please contact us in time, we will do our best to help you solve them.

MAINTENANCE RECOMMENDATION

Surface Maintenance

1. Avoid using hard objects to scratch the chair surface. The leather fabric is wear-resistant, but it is easy to be scratched by hard objects. The sharp items such as scissors and razors used in the hair salon need to be placed properly. In addition, guests' zippers, and buttons may scratched the leather surface of the hairdressing chair.

2. The leather surface material needs regular care. You can use the leather surface curing agent to spray and wipe the hair surface of the hairdressing chair from time to time for maintenance. If the chair surface is stained with dyes, perm agents and other difficult-to-clean items, you can use cotton cloth Wiping with a little petrol can effectively avoid hairdressing chair surface staining.

Hydraulic Pump Care

The main function is to adjust the height of the hairdressing chair through lifting. Generally, the Hydraulic pump will not have any quality problems. When buying the Hydraulic pump, be careful not to buy an Hydraulic pump that seeps oil. Usually, the hairdressing chair can be lifted by half-stepping. Putting one foot to the end and stepping on the way of half stop and half stop can effectively improve the service life of the hydraulic pump of the hairdressing chair.

Chassis Care

1. Do not wear on the electroplating chassis. You cannot use sandpaper or other materials to wipe the hairdressing chair chassis. The electroplated surface is usually chrome plated, which has the functions of anti-rust and anti-corrosion, so avoid grinding. If there is a bit of rust, you can choose to wipe with a dry cotton cloth. In addition, please clean the chassis frequently to keep the chassis clean.

2. The stainless steel chassis is relatively easy to care, just wipe it frequently.

WARRANTY INFORMATION

	3 Years
Metal Base	3 Years
Pump	1 Years
Reclining Mechanism 3 Months	3 Months
Headrest	
Backrest	
Seatrest	
Footrest	

LIMITATIONS APPLICABLE TO ALL WARRANTIES

will replace the defective parts or send replacement chair provided that the warranty parts have not been subjected to misuse, abuse or improper service by the consumer, for example, damaged wire arising in consequence of negligence or improper operation.

Exclusions also include components with damage caused by:

- Contamination
- Abuse, misuse, accident, or negligence
- Commercial use, or use other than normal
- Improper operation, maintenance, or storage