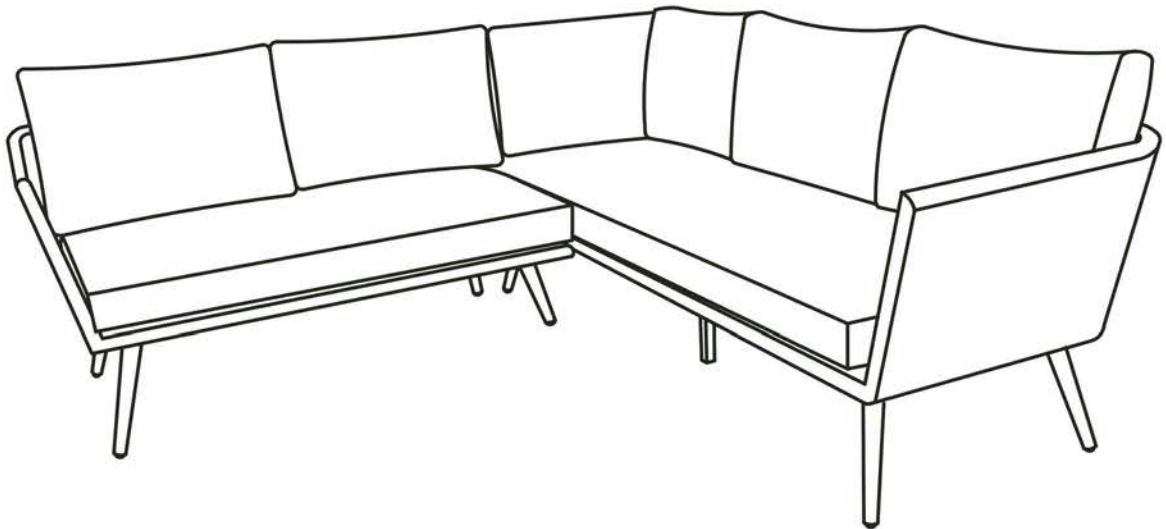


Product size:

3-Seat Left-Handed Sofa: W201*D76*H71cm

2-Seat Right-Handed Sofa: W131*D76*H71cm



The intended use of this product is for domestic use only.

Important, please retain for future reference.

Read carefully.

3-Seat LH Sofa and 2-Seat RH Sofa Assembly Instructions

Before you start



Warnings

IMPORTANT, RETAIN FOR FUTURE REFERENCE READ CAREFULLY

See enclosed instructions for assembly, safety and care information.

Failure to follow the warnings could result in serious injury.

Handle heavy parts with care.

Ensure that this product is fully assembled as illustrated before use.

This product should only be used on firm, level ground.

Keep small parts out of reach of children.

Do not stand or climb onto this product.

This product is intended for **domestic use** only.

Furniture can be dangerous if incorrectly used. No liability will be accepted for damage or injury caused by incorrect use of this product.

✓ Dos

When you are ready to start, make sure that you have the right tools, plenty of space and a clean, dry area for assembly.

Remove all packaging and banding and place the components carefully on suitable surfaces to prevent damaging or scratching them.

Check the pack and make sure you have all of the parts listed.

Check all screws and bolts are tightened and inspect regularly.

This product is suitable for all year outdoor use, but we recommend that a furniture cover be used to add additional protection to your product when not in use.

During severe weather conditions and in the winter months we recommend moving your furniture inside into a cool, dry place.

Before storage, ensure that the product is clean and dry.

To clean, wipe down with a sponge and warm soapy water and wipe with a clean, dry cloth.

Cushions should be cleaned following the care instruction on the label.

If the set is stored outside then we recommend that cushions are brought inside for storage and protection.

Torrential rain! No problem, just shake it dry. Red Wine, Drinks & Sauce spillages! It's no problem, just wipe it off.

✗ Don'ts

Do not use scourers, abrasives, washing powders, chemical cleaners or any other substances containing abrasives since these substances can damage the product, including the glass panel.

Never tilt the chair during use.

Do not place very hot or very cold items on the glass surface unless adequately thick table-mats are used to prevent such items from coming into contact with the glass.

Do not use the glass as a chopping surface. Do not strike glass with hard or pointed items.

Do not strike the glass with hard or pointed items.

Do not use power tools to construct this product.

Do not use this product if parts are missing, damaged or worn.

Do not sit or lean on the table.

Do not stand or climb onto the product and do not use it as a ladder, as this could lead to it unbalancing and overturning.

Never drag furniture when moving it, always lift it.

Number of people required for assembly

Two people



Time to assemble



20 minutes

Tools required

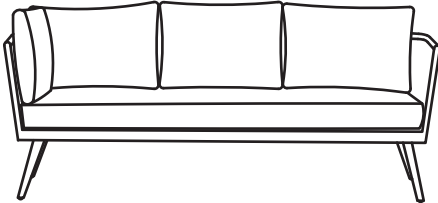
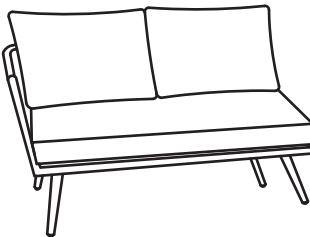
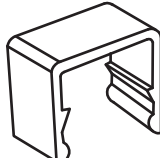


Tips:

Do NOT fully tighten bolts before all components are connected. Only fully tighten once you are satisfied with the alignment of all components. Do not overtighten bolts.

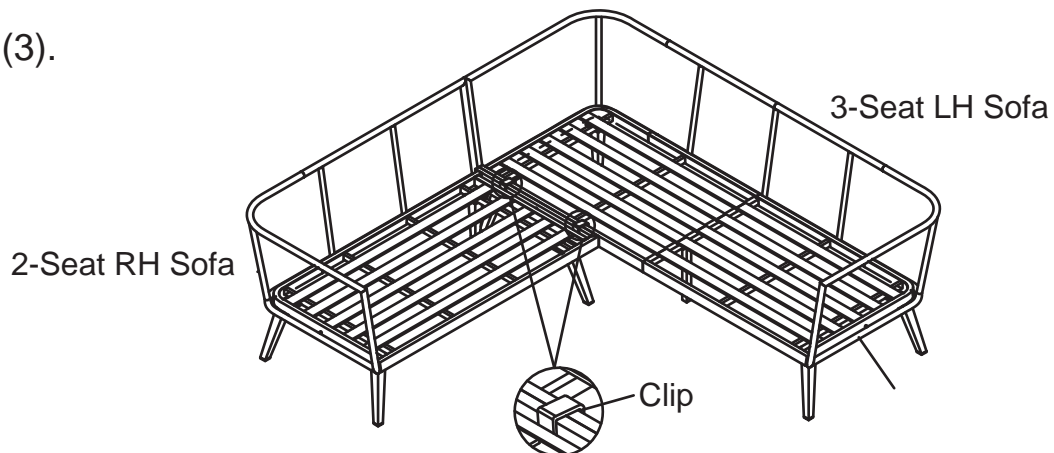
3-Seat LH Sofa and 2-Seat RH Sofa Assembly Instructions

Member Parts

Part No.	Diagram	Name	Qty.
1		3-Seat LH Sofa	1 PC
2		2-Seat RH Sofa	1 PC
3		Clip	2 PCS

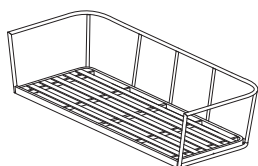
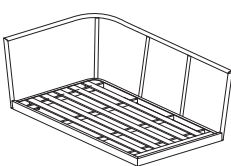
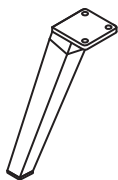
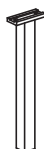
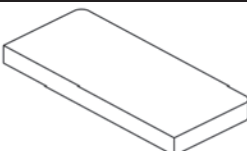
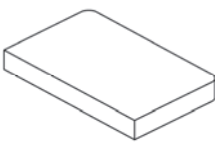




Clips Assembly

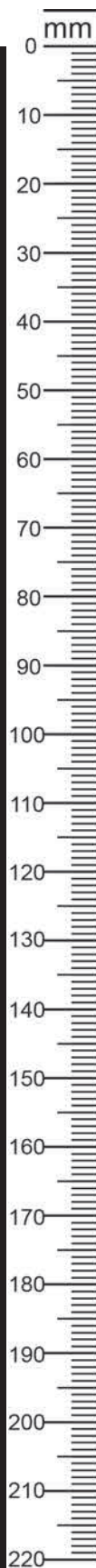
In order to better use the products, the parts are suggested to be connected by Clips (3).





3-Seat LH Sofa and 2-Seat RH Sofa Assembly Instructions

Components, fixtures & fittings (not actual size)

Parts List					
Part No.	Diagram	Qty.	Part No.	Diagram	Qty.
A	 3-Seat LH Sofa Seat	1 PC	B	 2-Seat RH Sofa Seat	1 PC
C	 Leg	8 PCS	D	 Middle Leg	1 PC
E	 3-Seat LH Sofa Seat Cushion	1 PC	F	 2-Seat RH Sofa Seat Cushion	1 PC
G	 Small Backrest Cushion	1 PC	H	 Big Backrest Cushion	5 PCS
F2	 Bolt Head Cap	26 PCS	W25	 M6*25mm Bolt	26 PCS

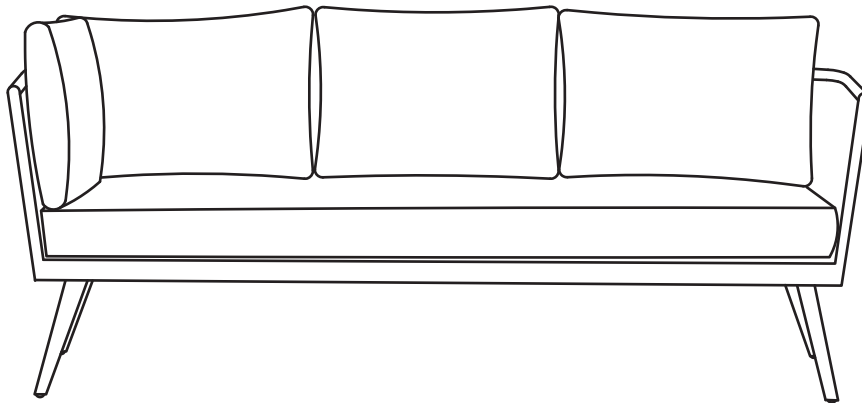


3-Seat LH Sofa and 2-Seat RH Sofa Assembly Instructions

F3	 Flat Washer	26 PCS	S1	 Spanner	1 PC
----	--	--------	----	---	------

Step by step assembly instructions

Part 1: 3-Seat LH Sofa

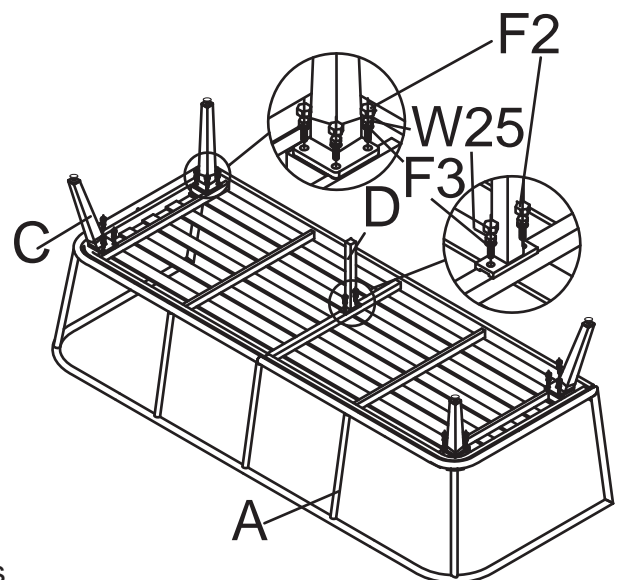


Step One

Open the packaging, with the help of another person, place the 3-Seat LH Sofa Seat (A) upside down on a flat, non-abrasive surface to avoid scratching the surface or rim.

Loosely attach the Legs (C) and Middle Leg (D) onto the 3-Seat LH Sofa Seat (A) using Flat Washers (F3), Bolts (W25) and Bolt Head Caps (F2).

Only tighten the bolts when all bolts and washers are in place and turn freely. Once you are satisfied with the alignment of the components carefully tighten all bolts using Spanner (S1). Do not over-tighten. Cover each bolt with Bolt Head Cap (F2).

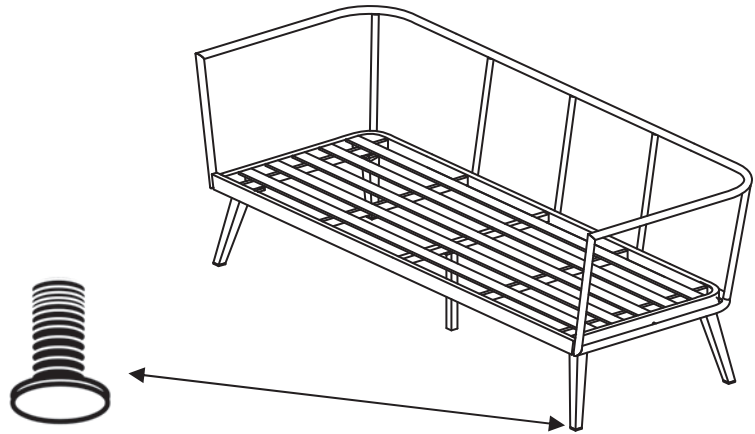


3-Seat LH Sofa and 2-Seat RH Sofa Assembly Instructions

Step Two

With the help of another person, stand the 3-Seat LH Sofa Seat (A).

Level the 3-Seat LH Sofa Seat (A) by adjustable feet screws.

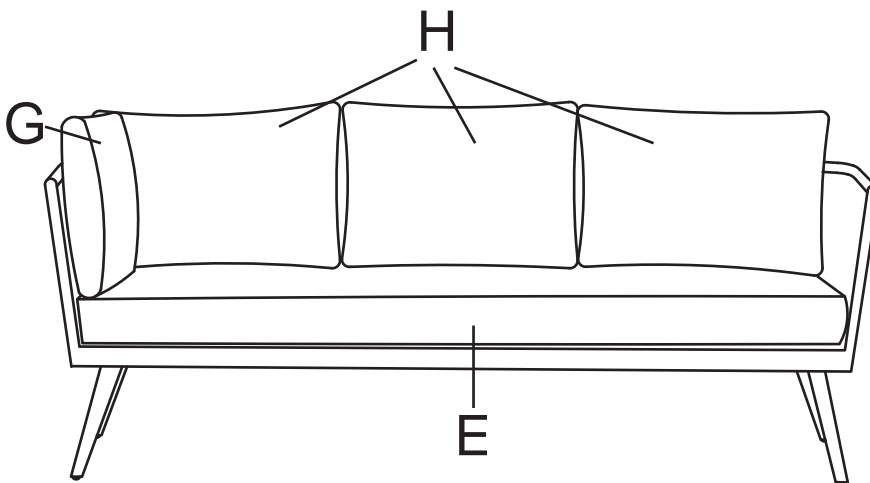


Adjustable Foot Screw

Step Three

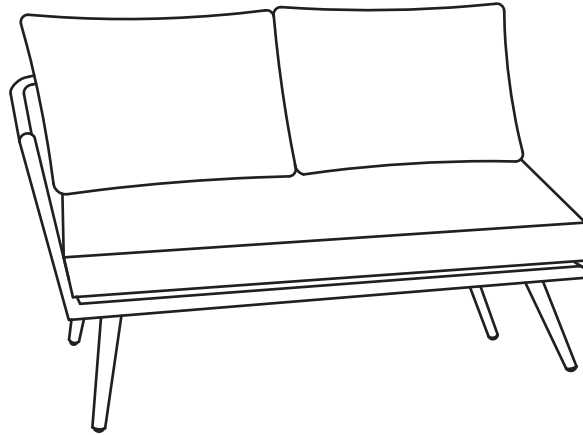
Place the 3-Seat LH Sofa Seat Cushion (E), Small Backrest Cushion (G) & Big Backrest Cushions (H) onto the 3-Seat LH Sofa Seat (A).

Your 3-Seat LH Sofa is now ready for use.



3-Seat LH Sofa and 2-Seat RH Sofa Assembly Instructions

Part 2: 2-Seat RH Sofa

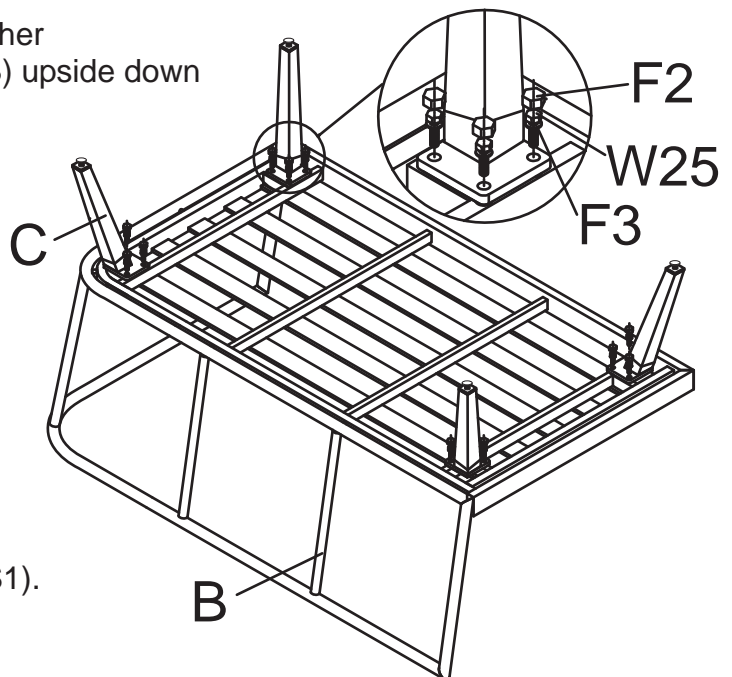


Step One

Open the packaging, with the help of another person, place the 2-Seat RH Sofa Seat (B) upside down on a flat, non-abrasive surface to avoid scratching the surface or rim.

Loosely attach the Legs (C) onto the 2-Seat RH Sofa Seat (B) using Flat Washers (F3), Bolts (W25) and Bolt Head Caps (F2).

Only tighten the bolts when all bolts and washers are in place and turn freely. Once you are satisfied with the alignment of the components carefully tighten all bolts using Spanner (S1). Do not over-tighten.
Cover each bolt with Bolt Head Cap (F2).

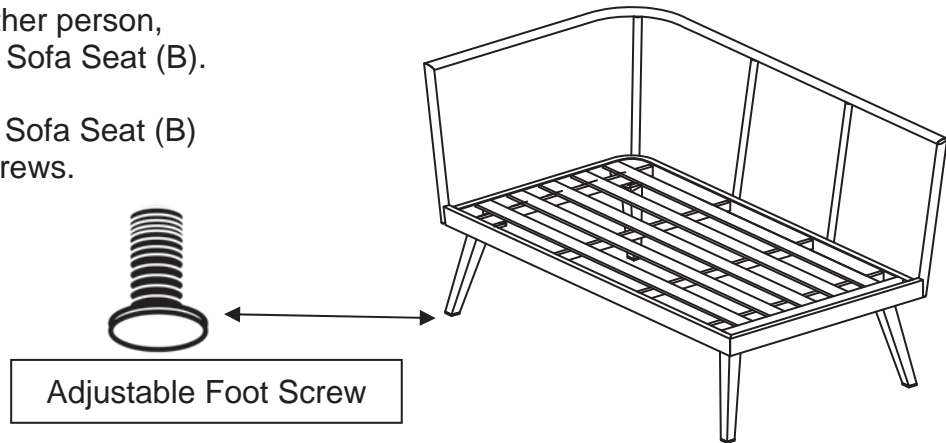


3-Seat LH Sofa and 2-Seat RH Sofa Assembly Instructions

Step Two

With the help of another person, stand the 2-Seat RH Sofa Seat (B).

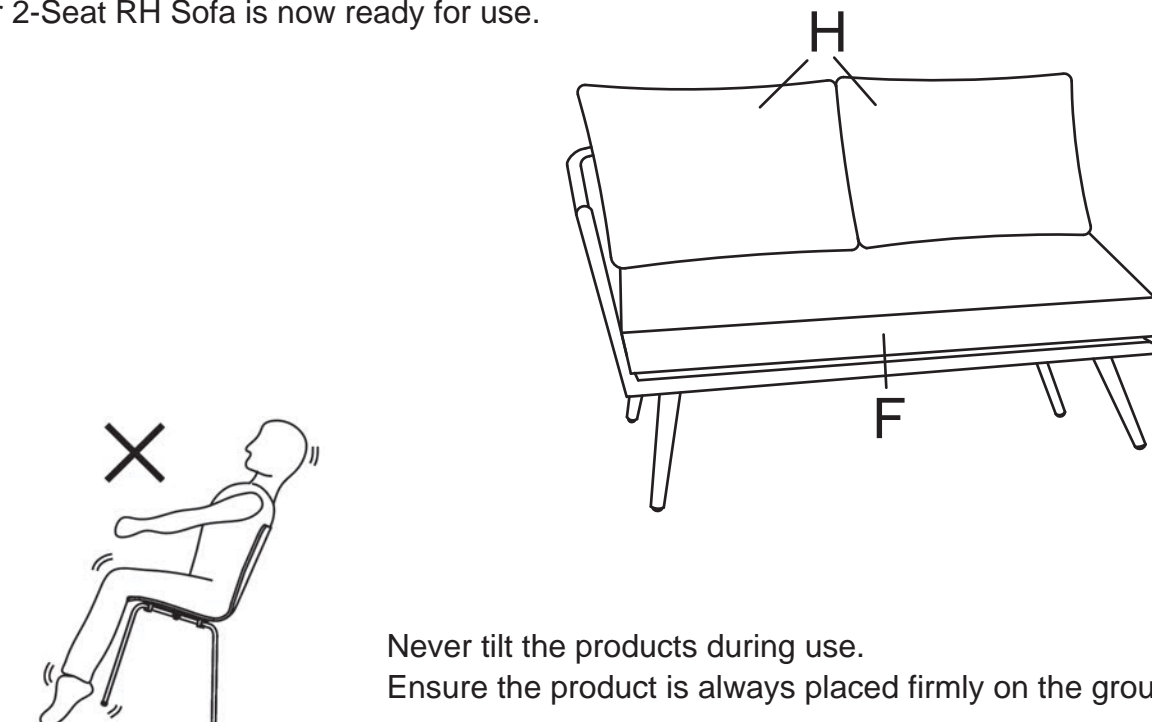
Level the 2-Seat RH Sofa Seat (B) by adjustable feet screws.



Step Three

Place the 2-Seat RH Sofa Seat Cushion (F) and Backrest Cushions (H) onto the Armchair Seat.

Your 2-Seat RH Sofa is now ready for use.



Never tilt the products during use.
Ensure the product is always placed firmly on the ground.

PLEASE KEEP THESE INSTRUCTIONS FOR FUTURE REFERENCE