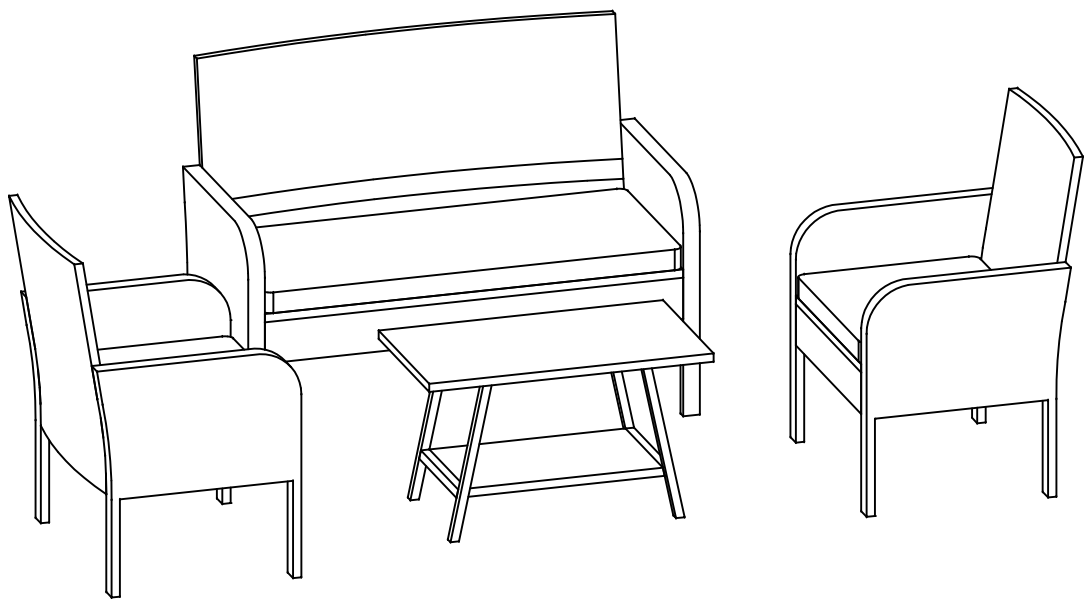
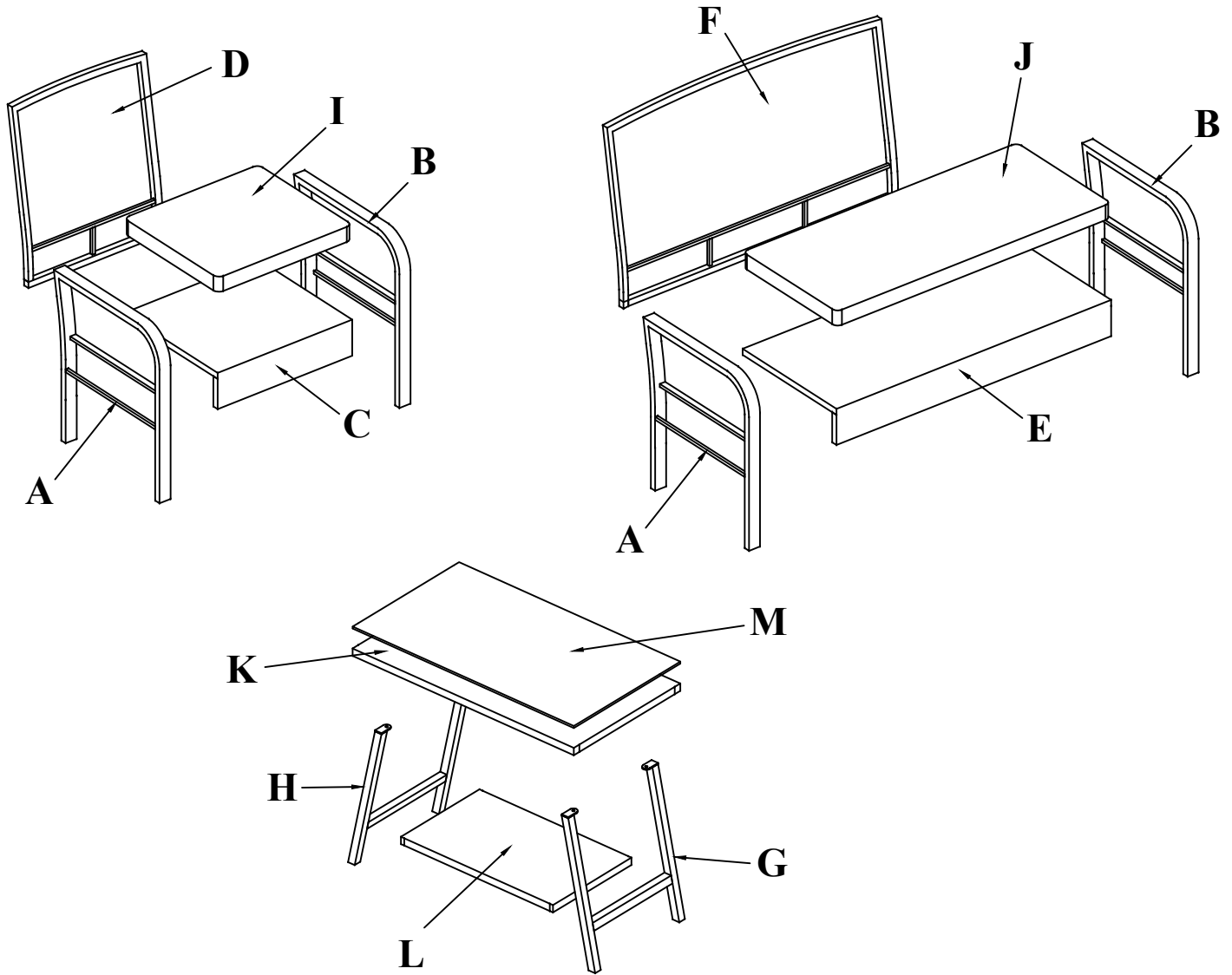


ASSEMBLY INSTRUCTION

BARTHOLDI SOFA SET



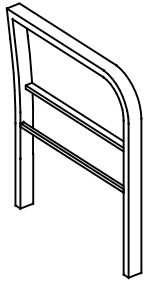
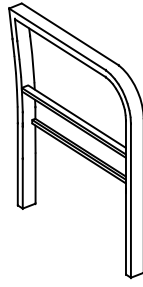
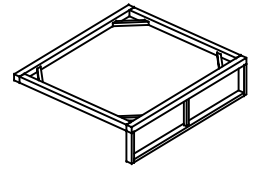
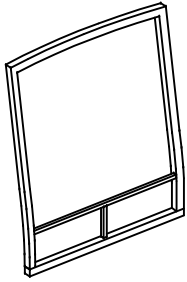
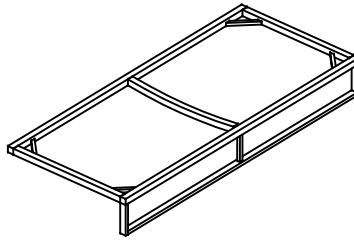
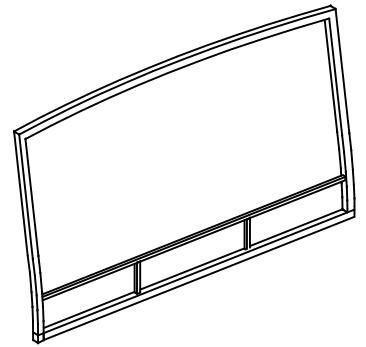
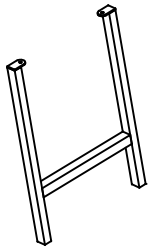
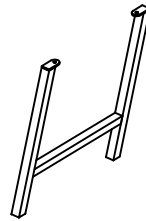
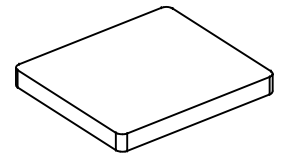
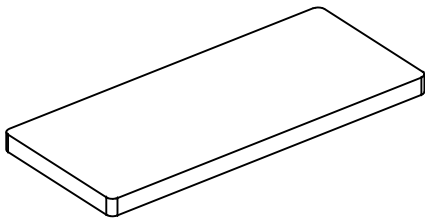
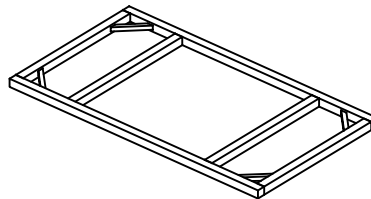
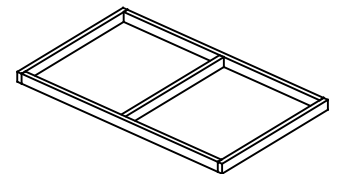
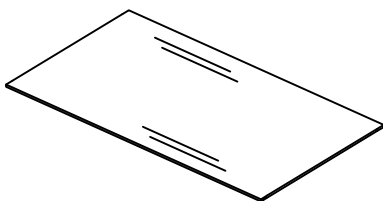
ALVWF190610AAA



Notice:

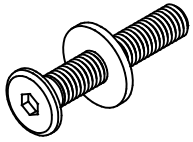
1. **50% Tighten before fixing all screws, Allen wrench is recommended instead of an electric drill.**
2. **Place the item on a flat ground to adjust and make sure it remains stable.**
3. **Tighten up all screws with tools gradually.**
4. **If the screws are not aligned with holes during assembly, please loosen all the other screws to 50% and continue the assembly process.**
5. **If the item is not stable, please loosen all the screws, adjust it on a flat ground and tighten up all screws again.**
6. **Note: If one or some screws are fully tightened during assembly, chances are the others will not be aligned with holes. In addition, all the holes are designed to be relatively larger to provide more space for the adjustment of the screws.**

Part list

A**Right frame (3 pcs)****B****Left frame (3 pcs)****C****Seat frame (2 pcs)****D****Back frame (2 pcs)****E****Bench seat frame (1 pc)****F****Bench back frame (1 pc)****G****Table right frame (1 pc)****H****Table left frame (1 pc)****I****Seat cushion (2 pcs)****J****Back cushion (1 pc)****K****Table top frame (1 pc)****L****Table shelf frame (1 pc)****M****Table glass (1 pc)**

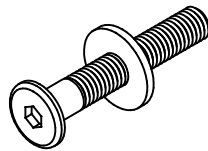
Hardware list

1



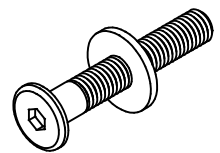
Bolt M6 x 25 mm (4 pcs)

2



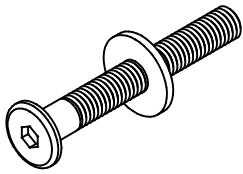
Bolt M6 x 35 mm (23 pcs)

3



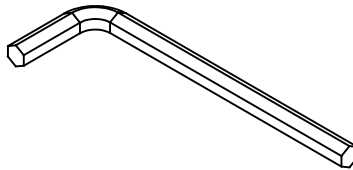
Bolt M6 x 40 mm (16 pcs)

4



Bolt M6 x 60 mm (6 pcs)

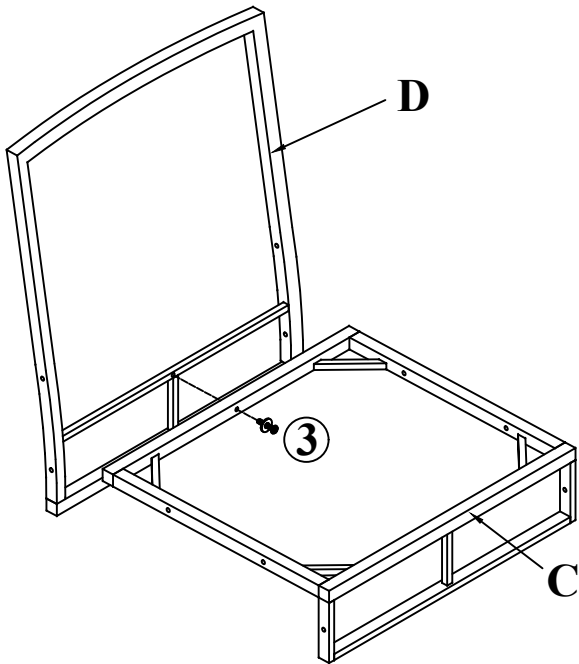
5



Allen key M4 (1 pc)

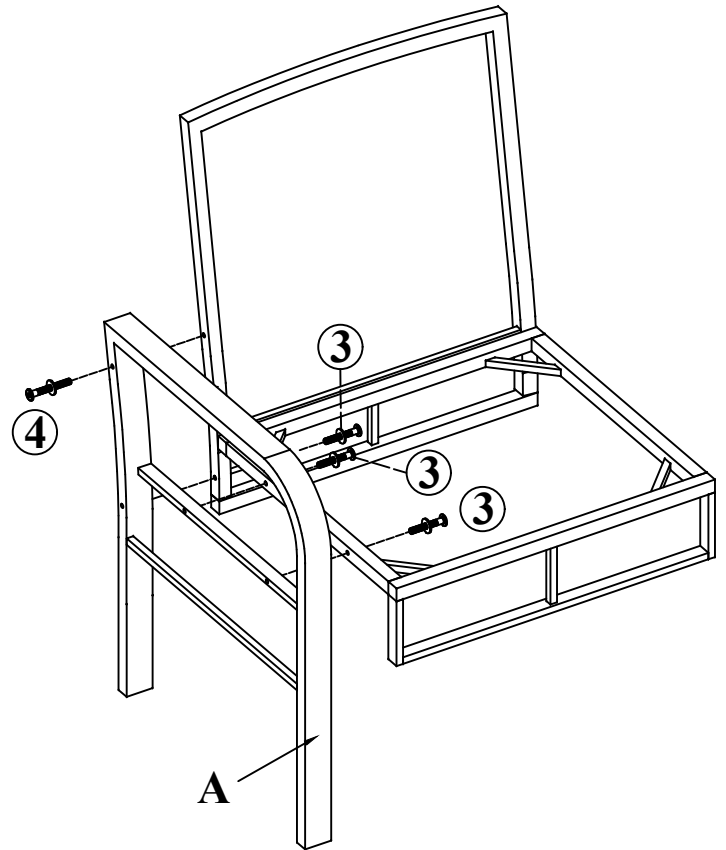
STEP 1 (Chair assembly)

Connect Back frame (D) & Seat frame (C) with Bolt (3)



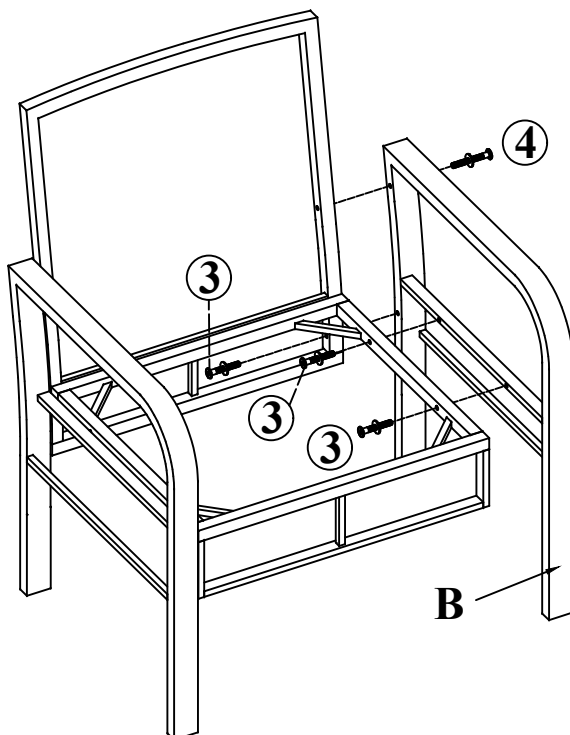
STEP 2

Connect part from Step 1 & Right frame (A) with Bolt (3) & Bolt (4)



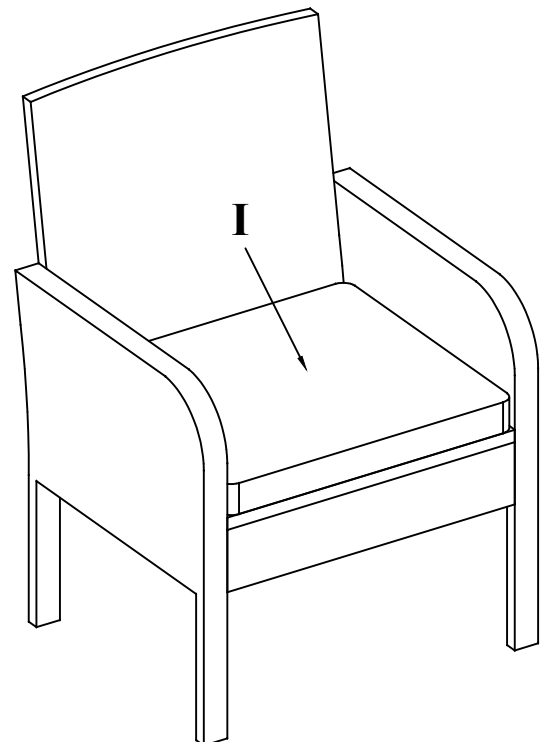
STEP 3

Connect part from Step 2 & Left frame (B) with Bolt (2), Bolt (3) & Bolt (4)



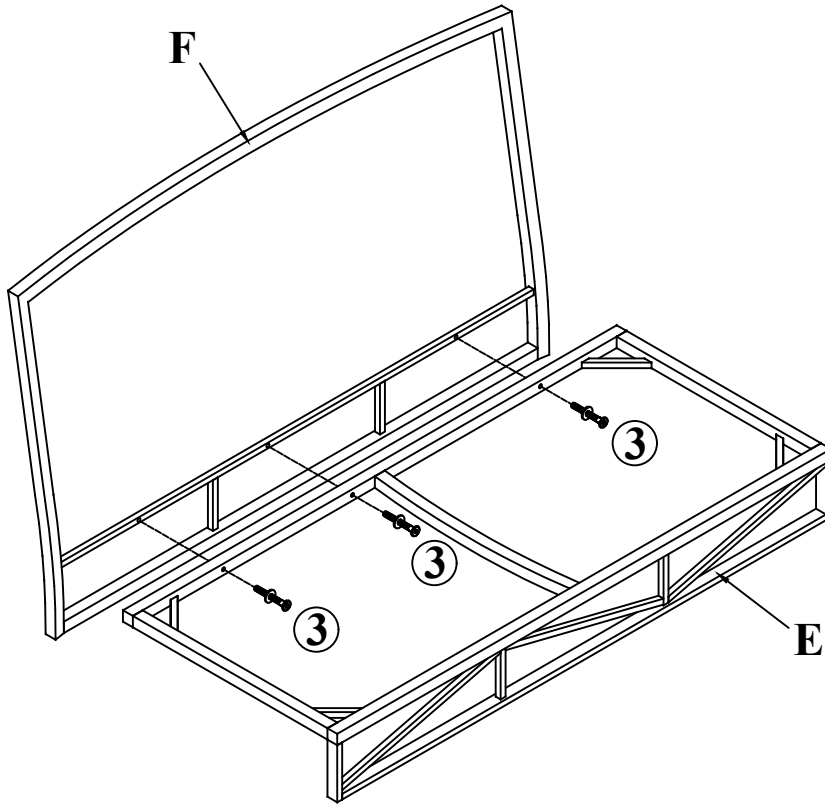
STEP 4

Put on Seat cushion (I) to complete single chair



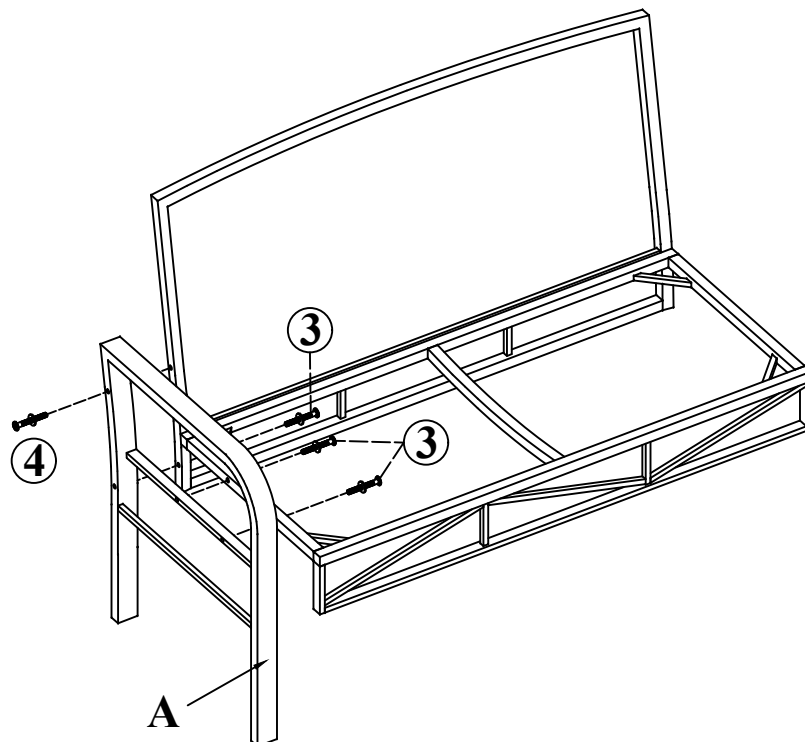
STEP 5 (Bench assembly)

Connect Bench seat frame (F) & Bench back frame (E) with Bolt (3)



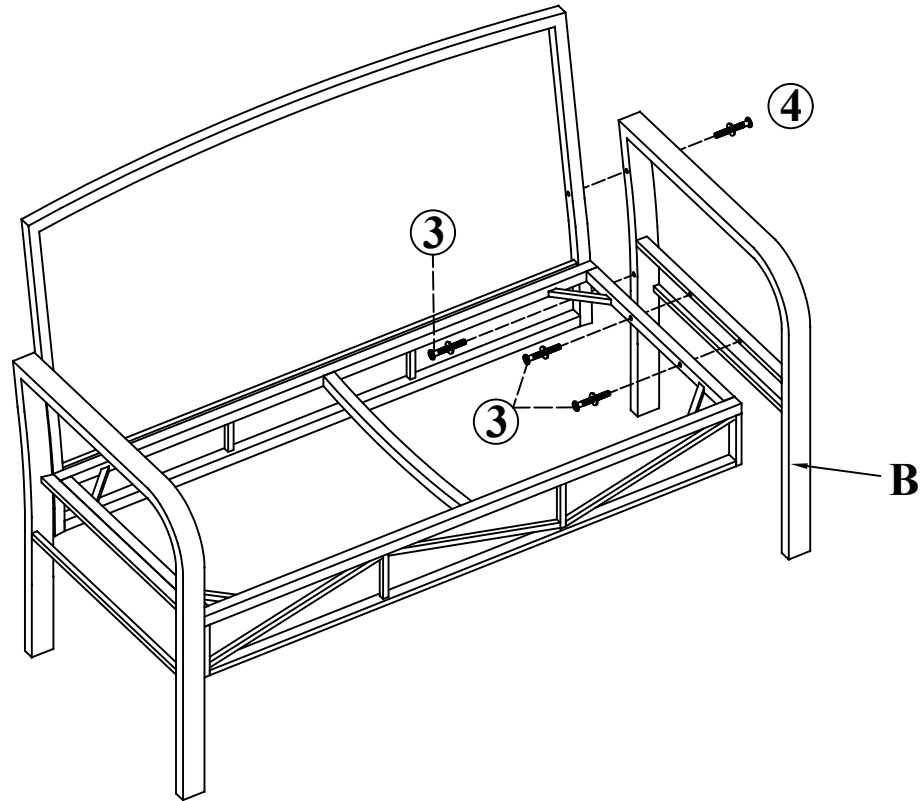
STEP 6

Connect part from Step 5 & Right frame (A) with Bolt (2), Bolt (3) & Bolt (4)



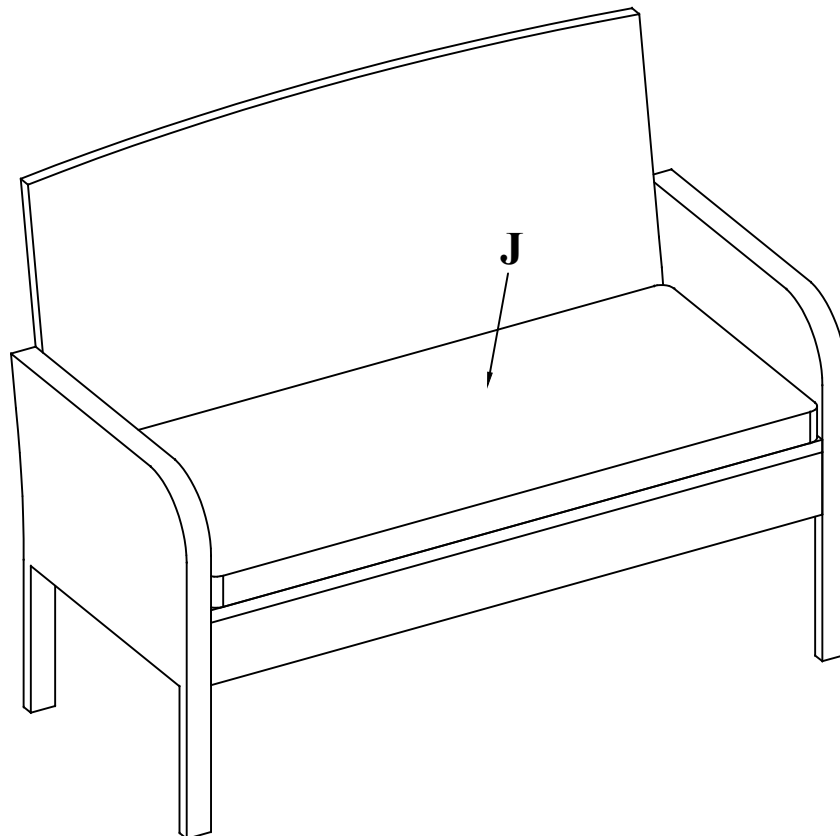
STEP 7

Connect part from Step 6 & Left frame (B) with Bolt (2), Bolt (3) & Bolt (4)



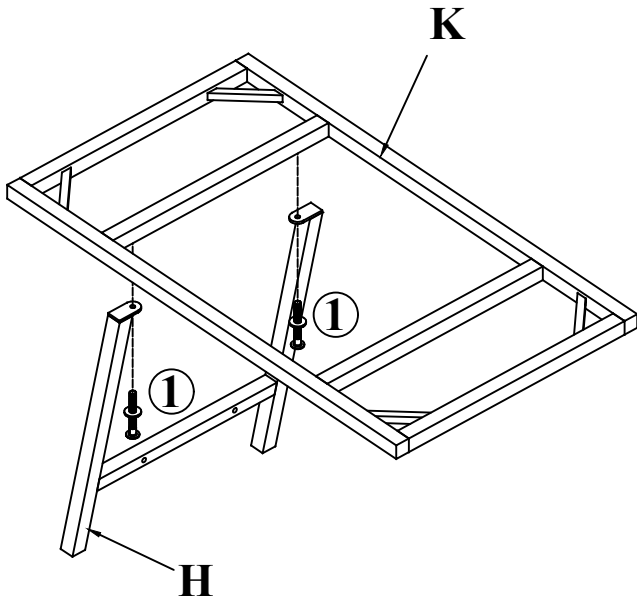
STEP 8

Put on Bench cushion (J) to complete Bench



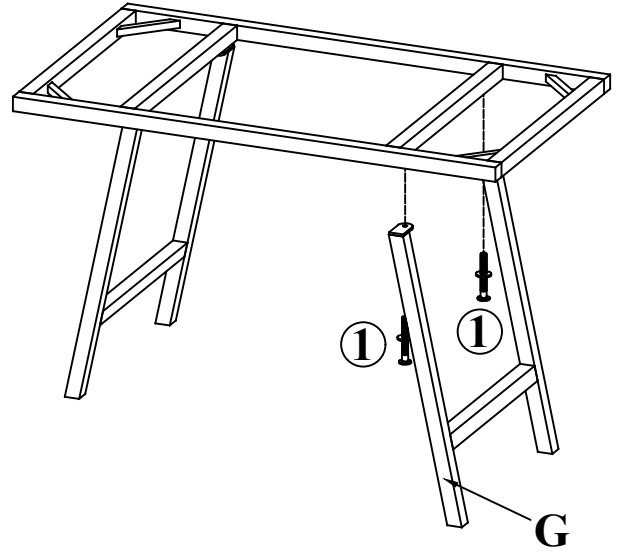
STEP 9 (Table assembly)

Connect Table left frame (H) & Table top frame (K) with Bolt (1)



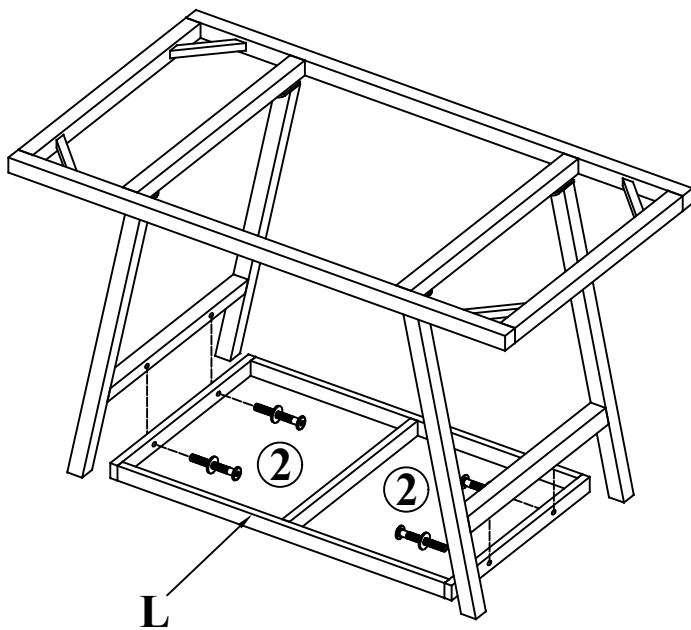
STEP 10

Connect part from Step 9 & Table right frame (G) with Bolt (1)



STEP 11

Connect part from Step 10 & Table shelf frame (L) with Bolt (2)



STEP 12

Put on Table glass (M) to complete the Table

