

# ASSEMBLY INSTRUCTIONS



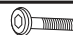








Thank you for purchasing the quality product. Be sure to check all packing material carefully for small parts which may have come loose inside the carton during shipment. Separate, identify and count all parts and metal hardware. Compare with all parts list to be sure all parts are present. If any part (s) are missing or damaged, please contact your local furniture dealer. For efficient and speedy service, please indicate the model number and code letter of part (s) needed.

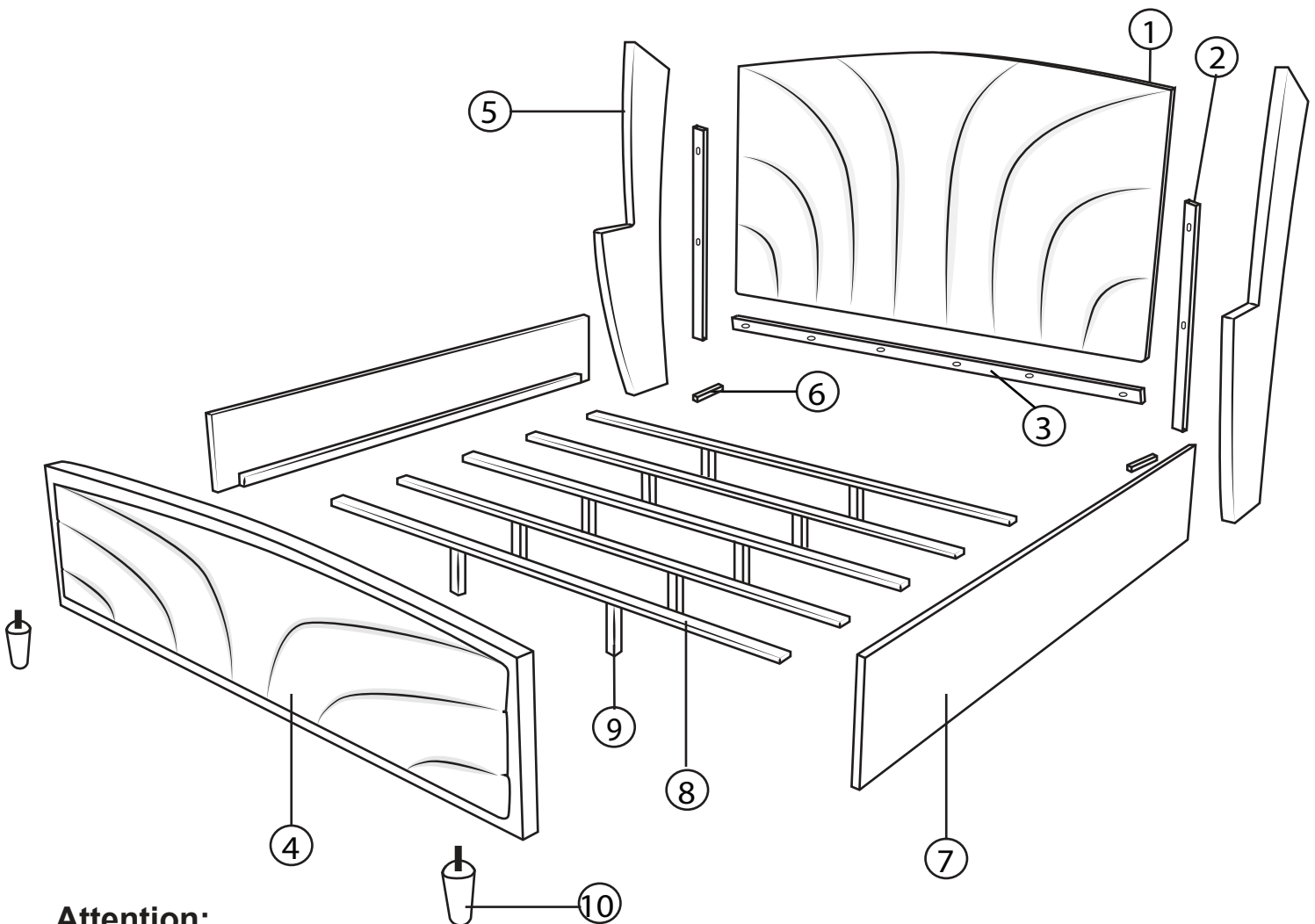
**\*\*\*Do not fully tighten bolts and screws until fully assembled\*\*\***

## PART LIST :

BOX#	PART#	DESCRIPTION	QTY
1	1	Headboard	1
	2	Headboard Support	2
	3	Headboard Back Support	1
2	4	Footboard	1
3	5	Ear Panel	2
	6	Ear Panel Support	2
4	7	Side Rail	2
	8	Slat with 4 holes	5
	9	Leg Support	10
	10	Bed Leg	2

## HARDWARE LIST :

NO	DESCRIPTION	QTY
A	Allen Key With Ball 	1
B	JCBC Bolt M6 x 20mm 	16
C	JCBC Bolt M6 x 40mm 	24
D	JCBC Bolt M6 x 60mm 	6
E	CSK Screw M4 x 32mm 	10
F	CSK Screw M4 x 45mm 	4
G	Adjuster 	10
H	Spring Washer M6 	36
I	Flat Washer Medium M7 x 19 x 2.0 	36
J	Flat Washer Large 3/8 x 25 x 1.0 	20
K	L- Bracket (150 x 40 mm) 	4

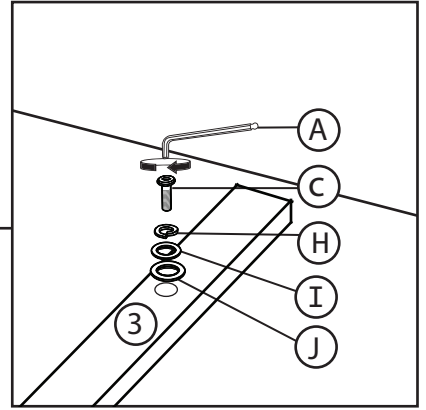
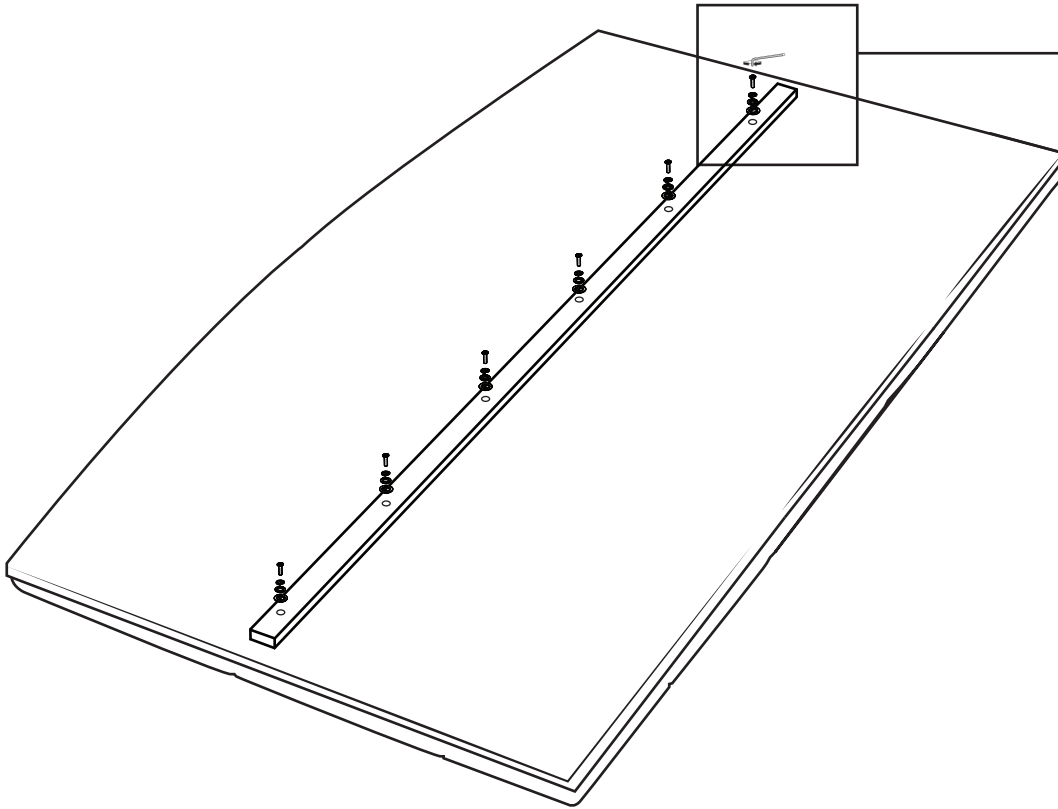


## Attention:

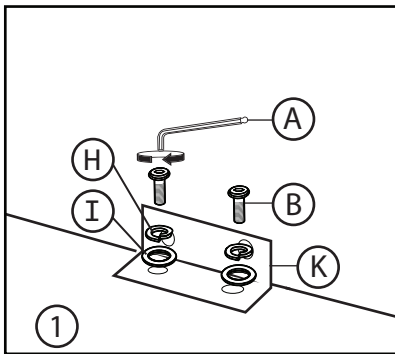
\*\*\* Some number parts listed on the instruction sheet may not be in parts bag as they may already be assembled. Carefully check parts and packing materials prior to ordering replacements.

# HOW TO ASSEMBLE :

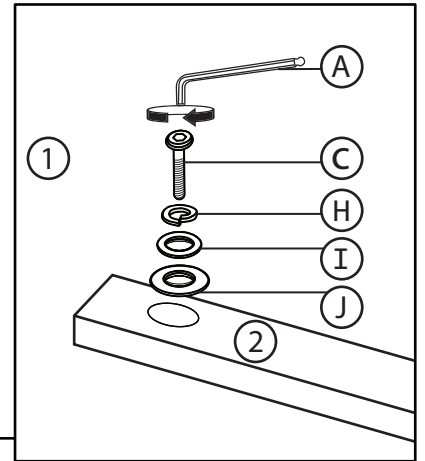
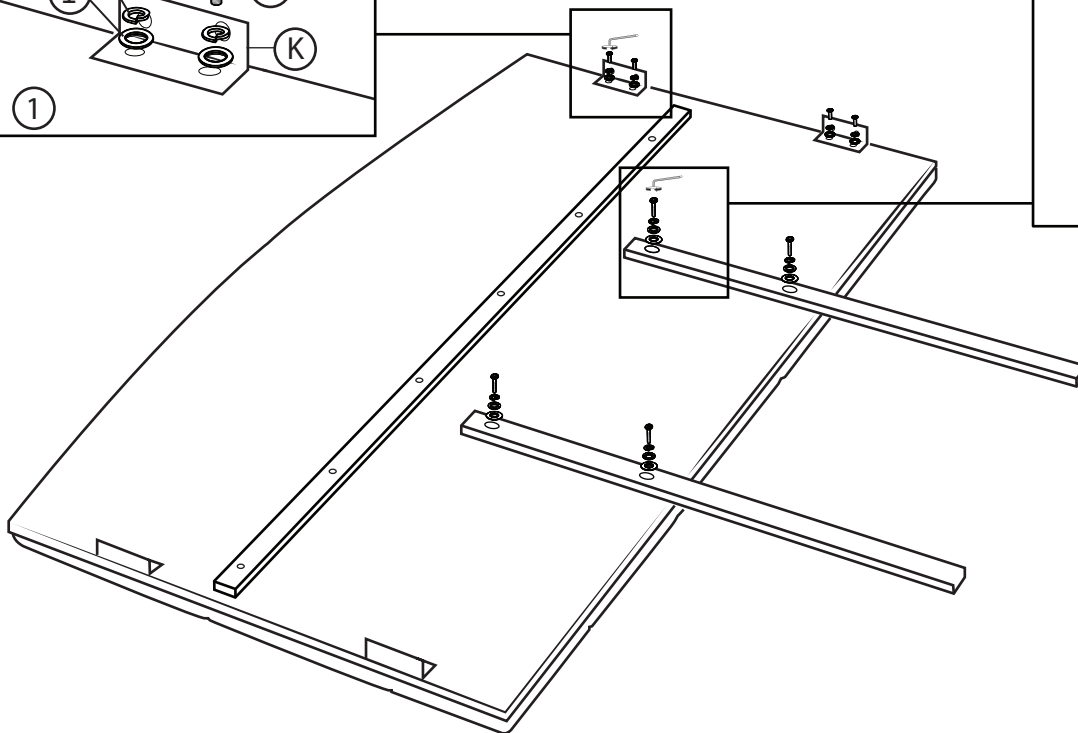
## STEP: 1



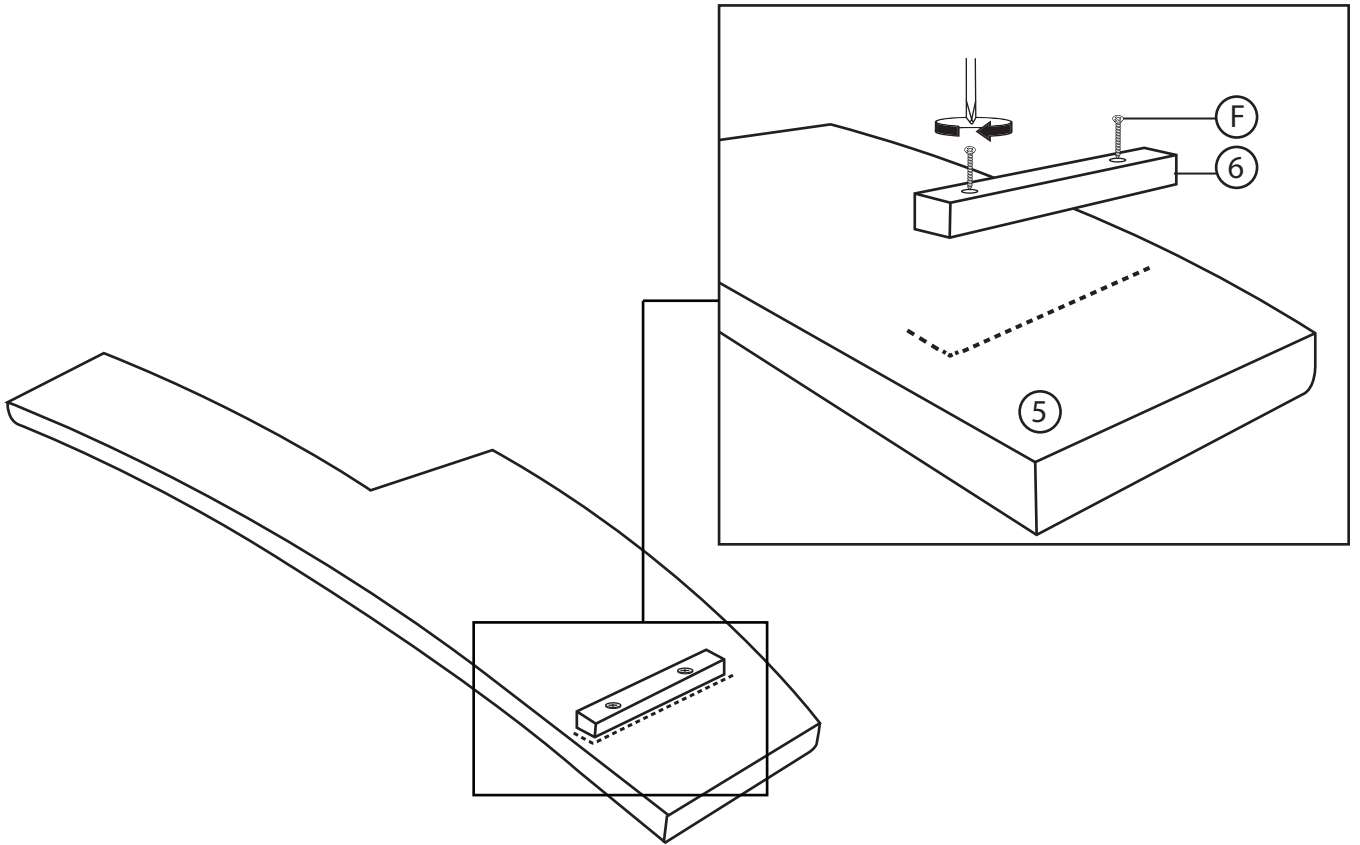
## STEP: 2



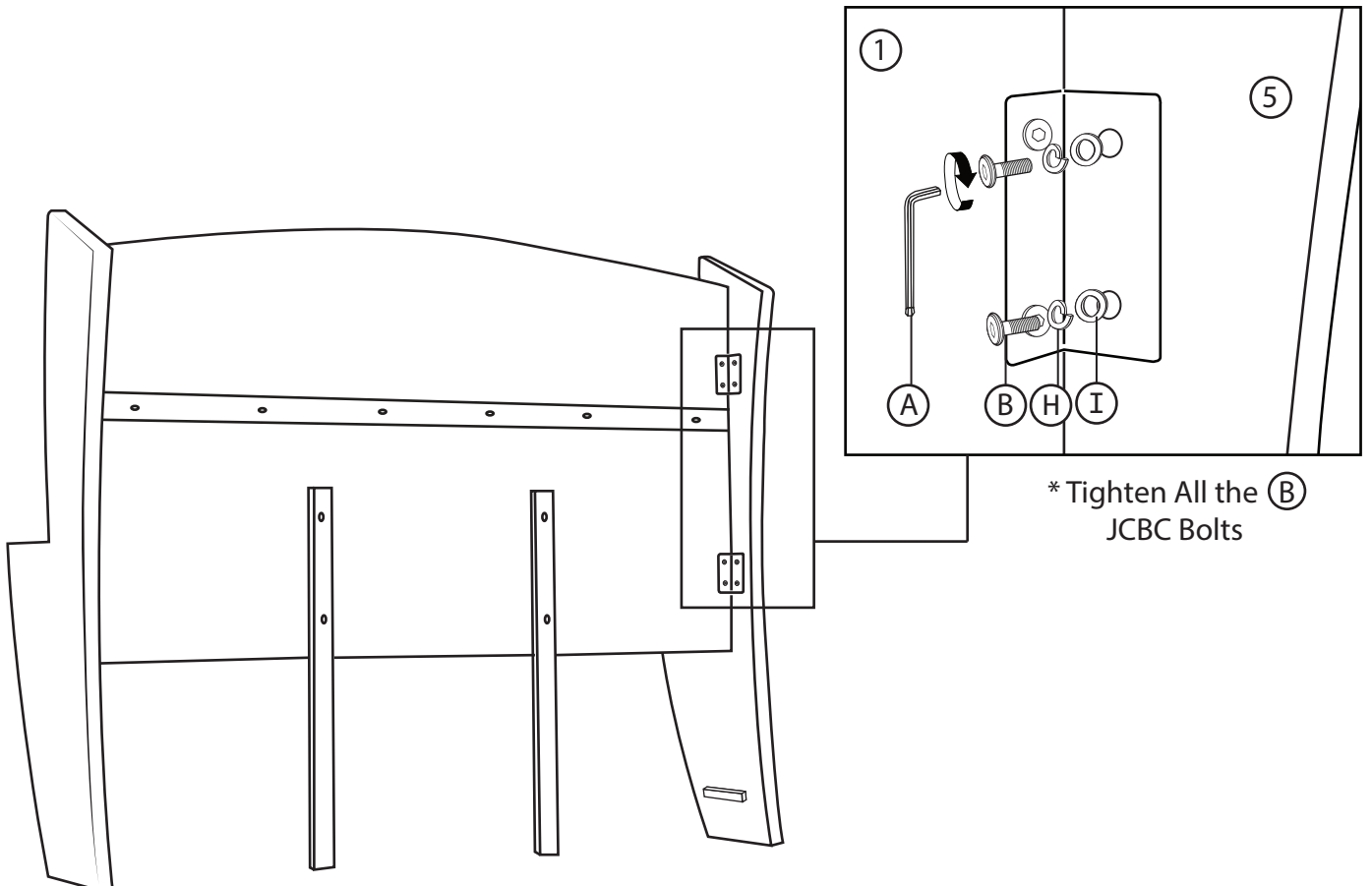
\*Hand tight, Do Not Tighten  
All the (B) JCBC Bolts



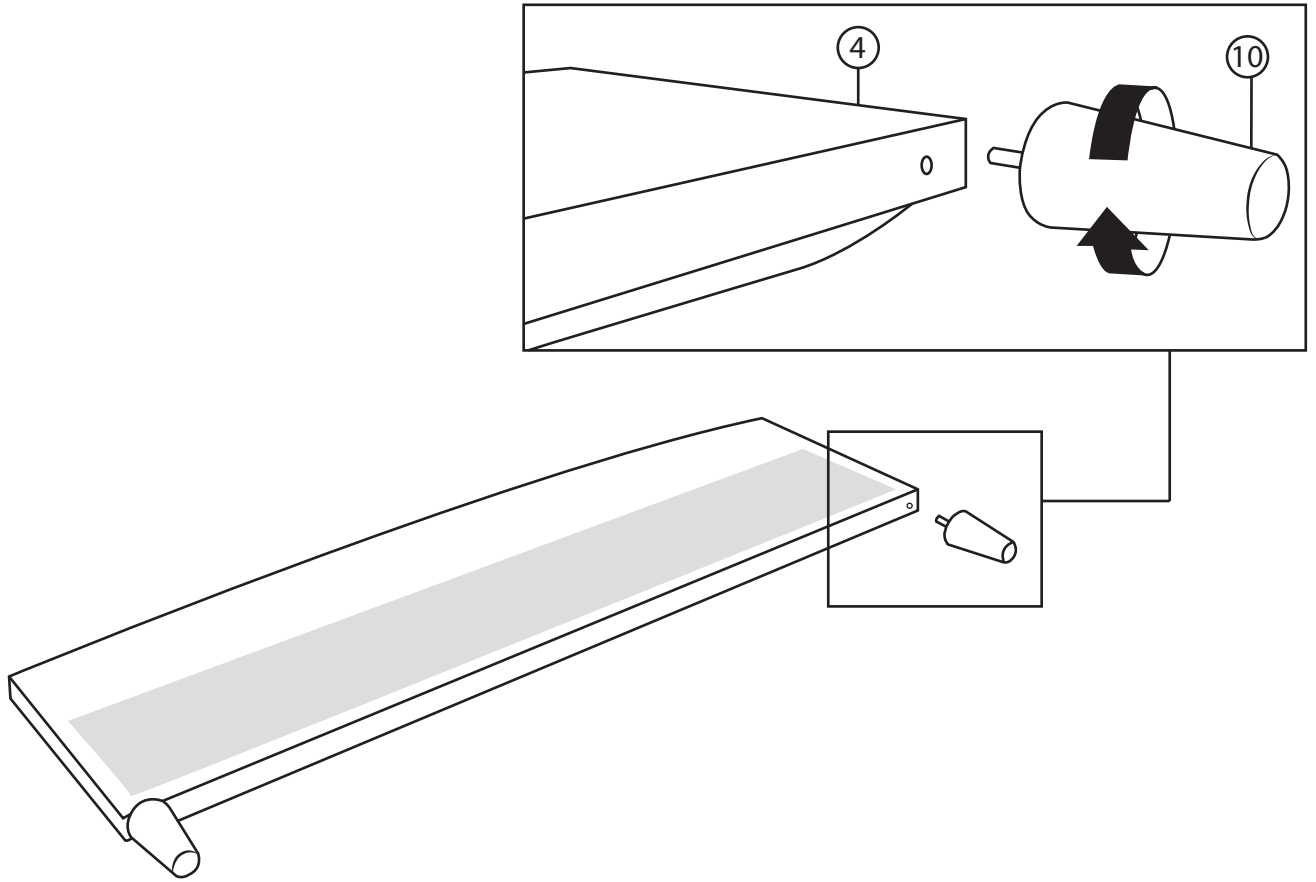
STEP: 3



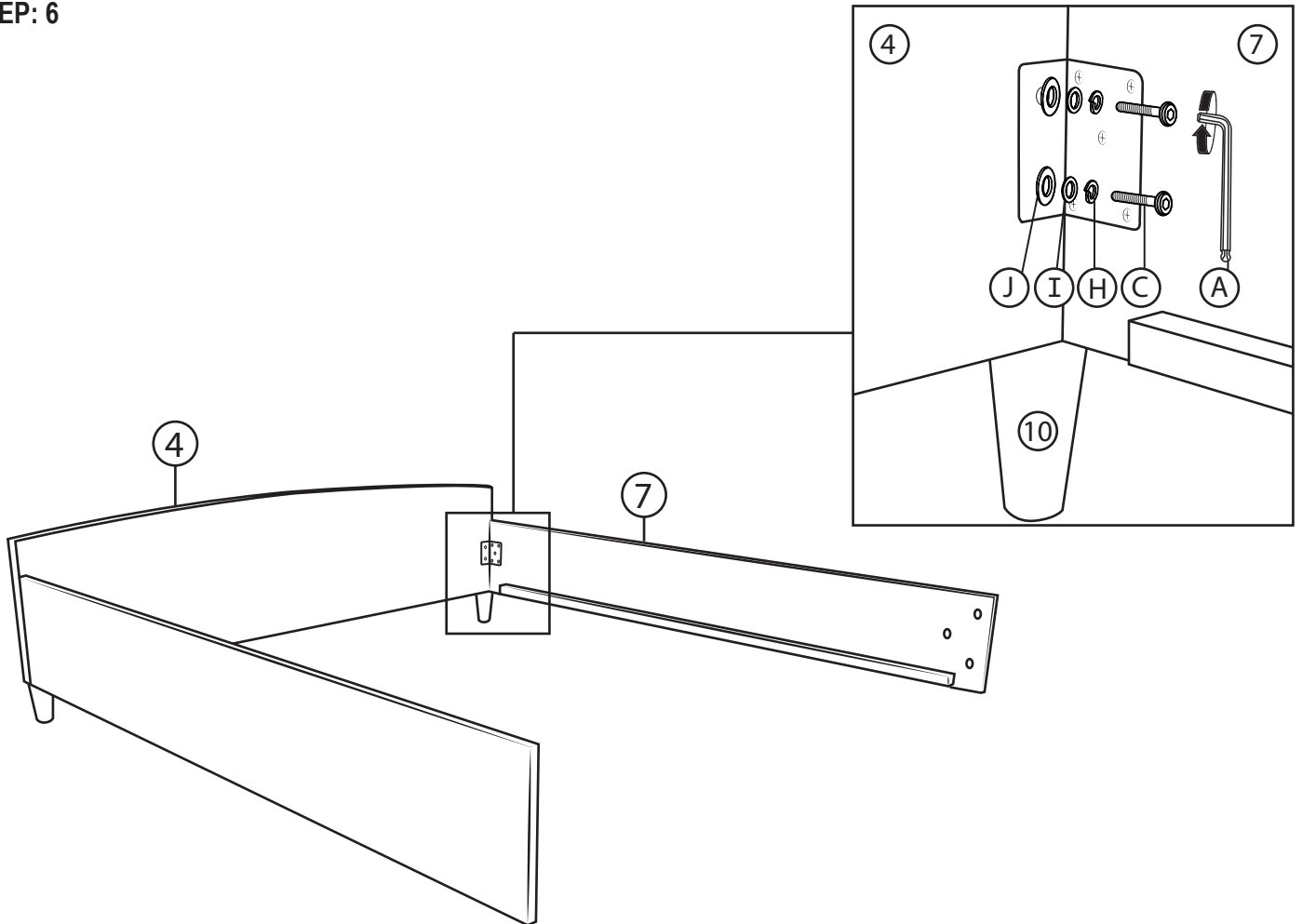
STEP: 4



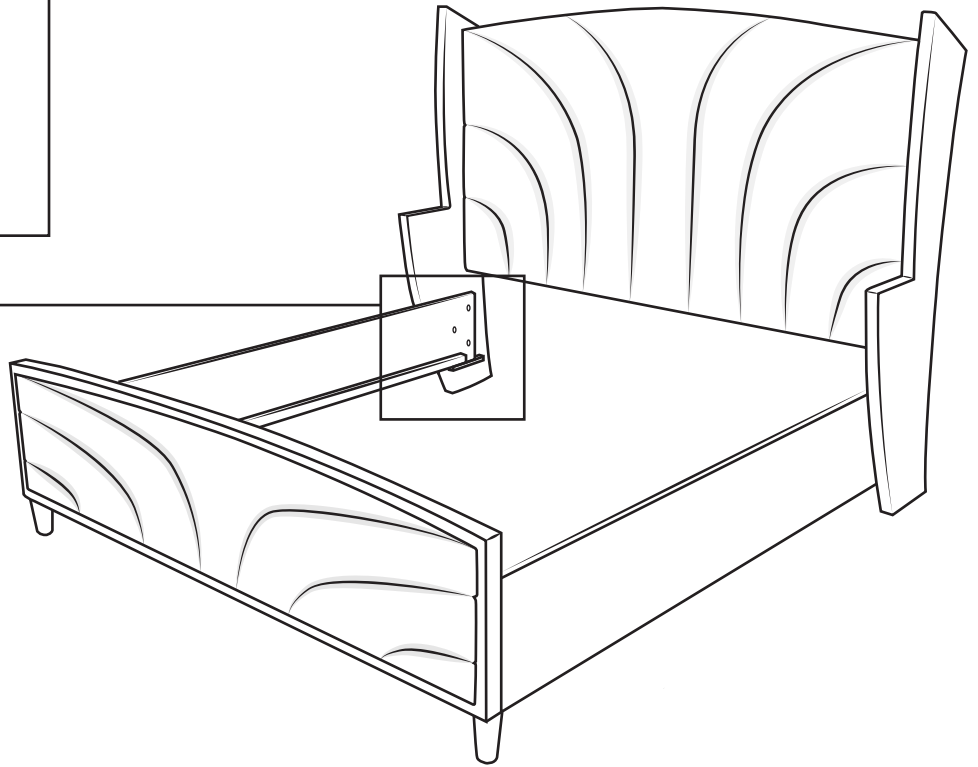
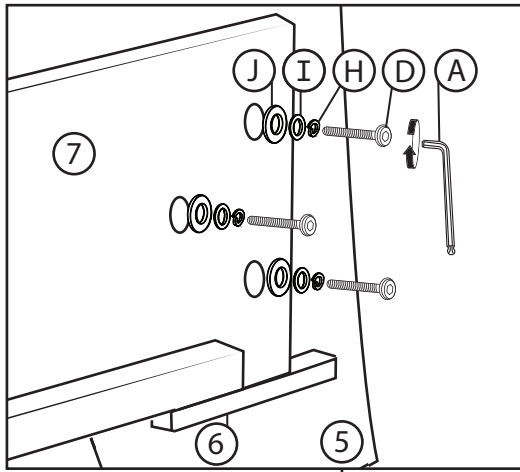
STEP: 5



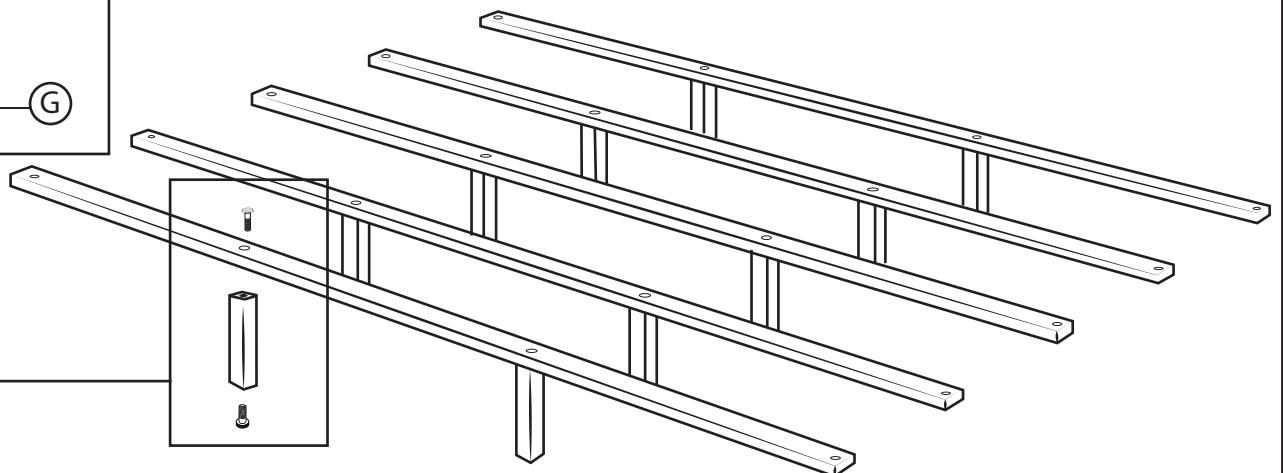
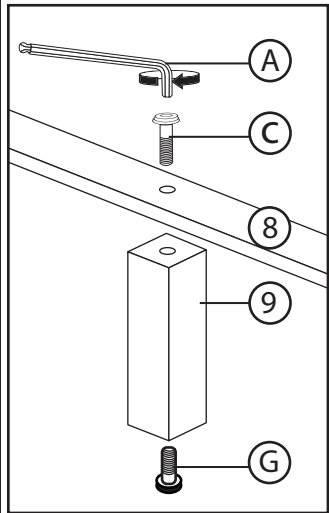
STEP: 6



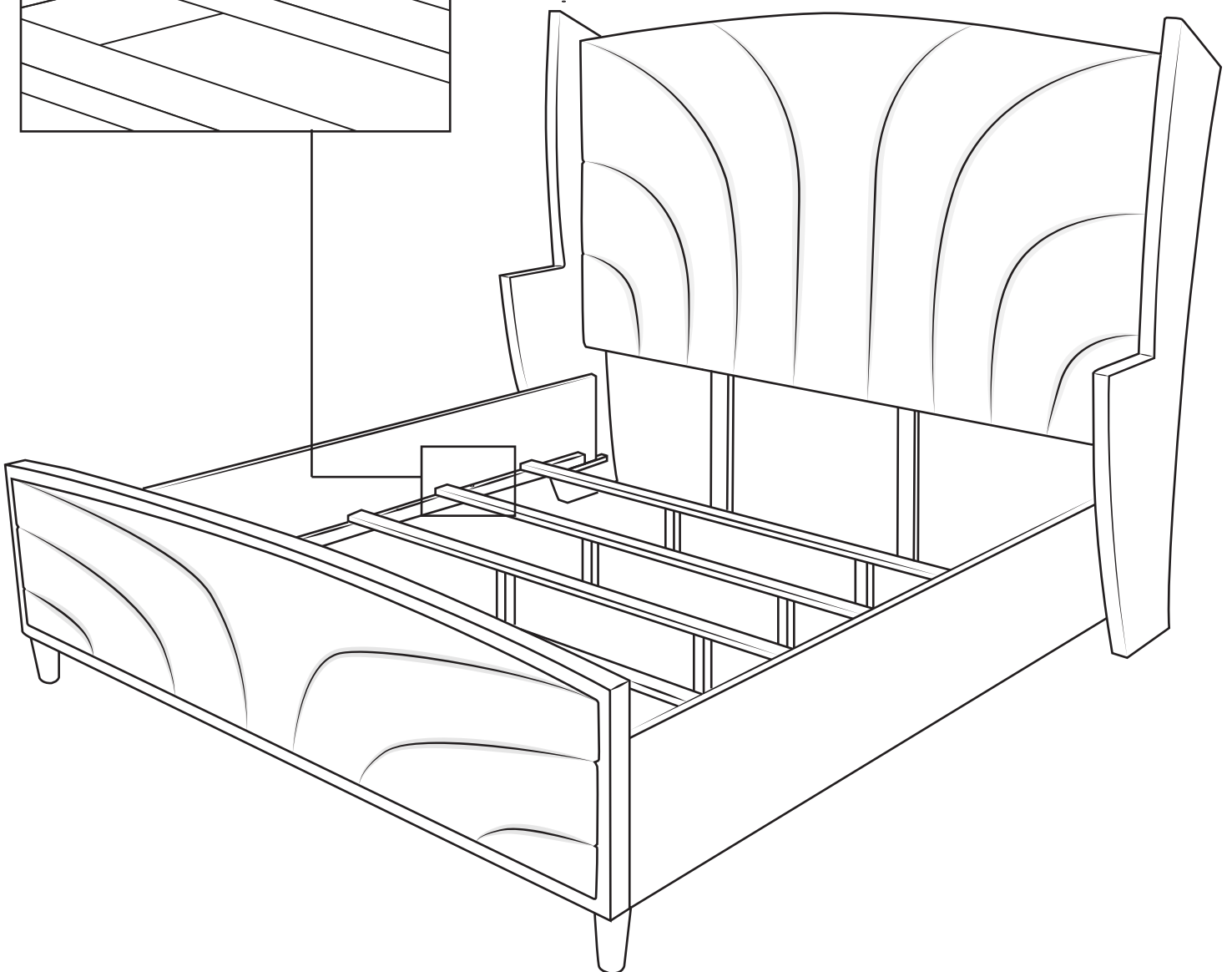
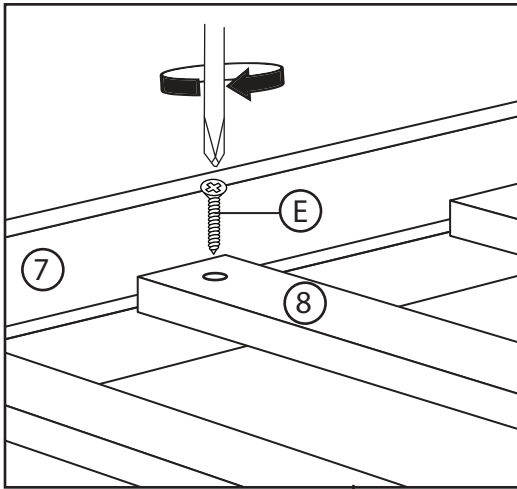
STEP: 7



STEP: 8



STEP: 9



**ASSEMBLY COMPLETE**