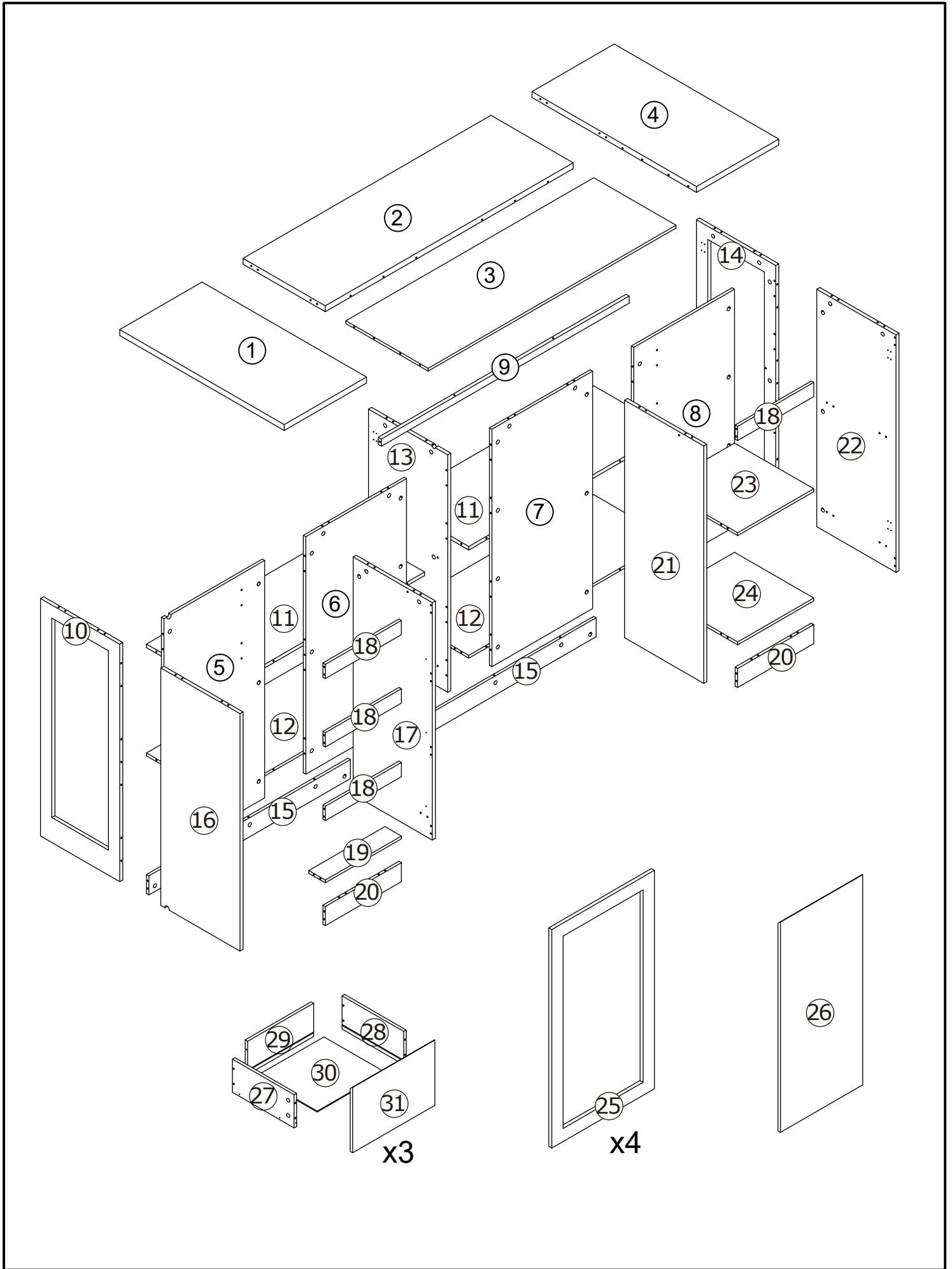
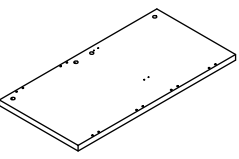
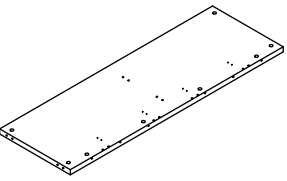
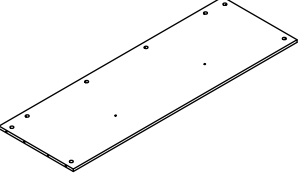
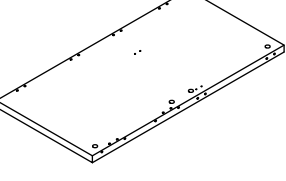
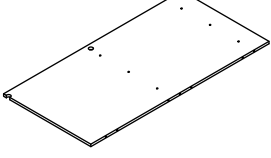
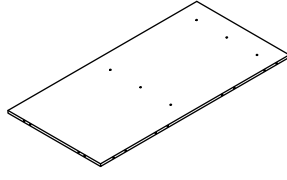
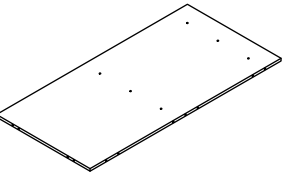
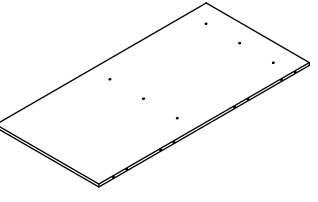
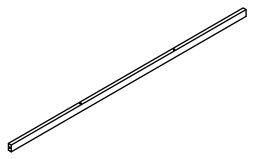
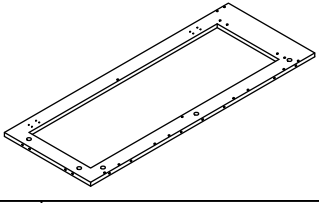
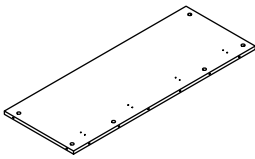
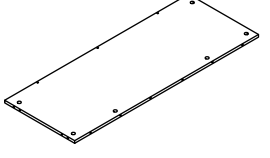
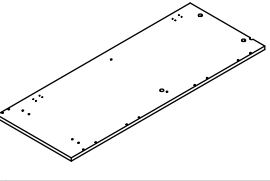
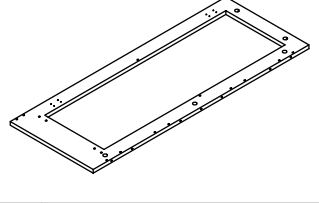
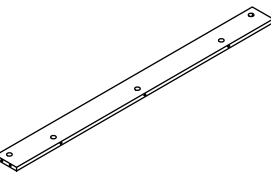
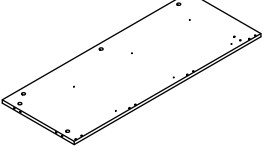
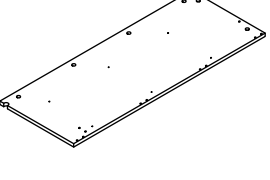
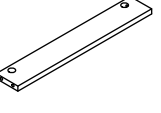
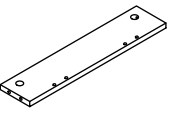
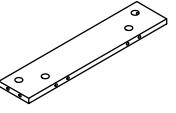
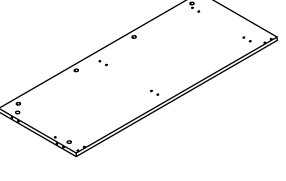
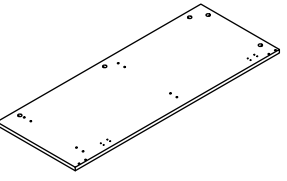
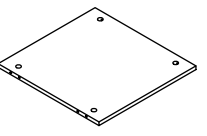
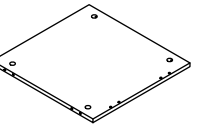


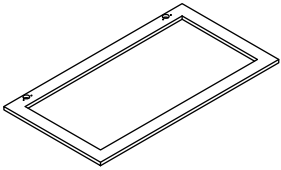
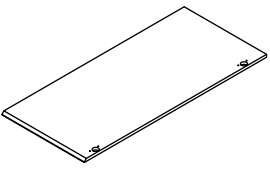
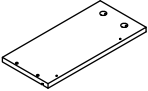
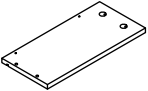
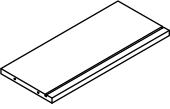
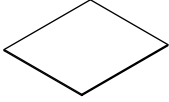
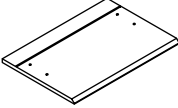
Installation instruction



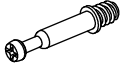

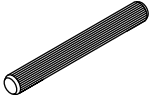
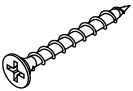
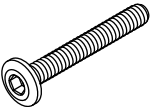

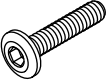
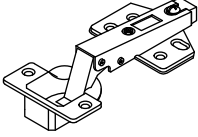
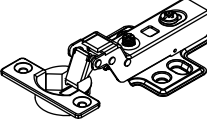
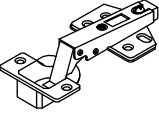

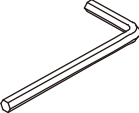
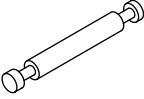
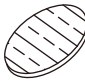
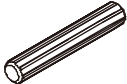


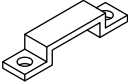
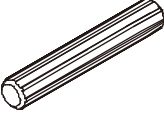

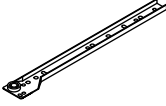
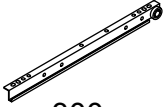
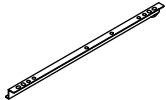
Parts and Operation Elements

			
① 1pc	② 1pc	③ 1pc	④ 1pc
			
⑤ 1pc	⑥ 1pc	⑦ 1pcs	⑧ 1pc
			
⑨ 1pc	⑩ 1pc	⑪ 2pc	⑫ 2pc
			
⑬ 1pc	⑭ 1pc	⑮ 2pcs	⑯ 1pc
			
⑰ 1pc	⑱ 4pc	⑲ 1pc	⑳ 2pc
			
㉑ 1pc	㉒ 1pc	㉓ 1pcs	㉔ 1pc

Parts and Operation Elements

			
25 4pc	26 1pc	27 3pc	28 3pc
			
29 3pc	30 3pc	31 3pcs	

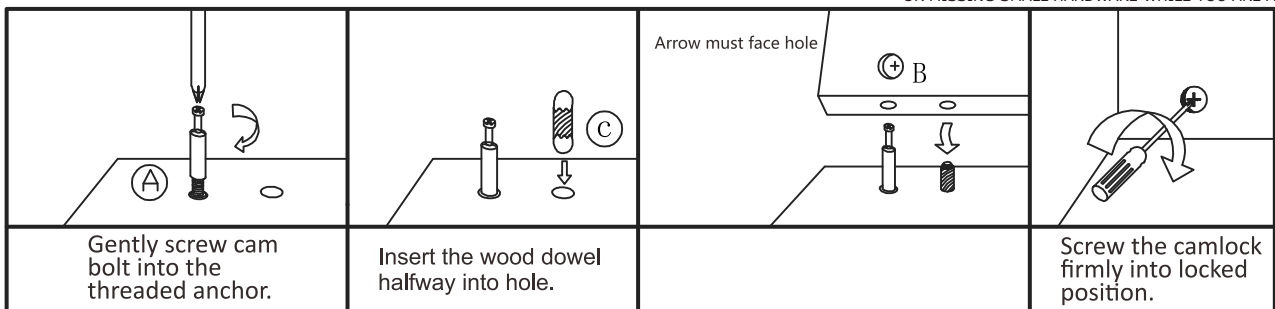
Hardware

 Cam bolt		 Cam Lock		 6x50mm Wood dowel		 4x30mm screw		 M 6x40mm	
A	114pcs	B	162pcs	C	7pcs	D	12pcs	E	2pcs
 3x12mm screw		 M 6x30mm		 Bracket		 Bracket		 Bracket	
F	56pcs	G	2pcs	H	4pcs	J	4pcs	K	2pcs
 6x30mm Wood dowel		 L-shaped bracket		 Cam bolt		 Washer		 6x40mm Wood dowel	
L	82pcs	M	1pcs	N	24pcs	P	20pcs	Q	16pcs
 3.5x12mm screw		 Screwdriver		 Bracket		 8x50mm Wood dowel		 300mm	
R	60pcs	S	1pcs	T	16pcs	U	10pcs	CL	3pcs
 300mm		 300mm		 300mm					
CR	3pcs	DL	3pcs	DR	3pcs				



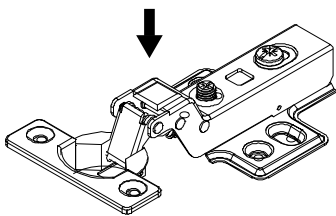
SPARE BAG

THE SPARE BAG INCLUDED EXTRA HARDWARE FOR DAMAGED OR MISSING SMALL HARDWARE WHILE YOU ARE ASSEMBLING

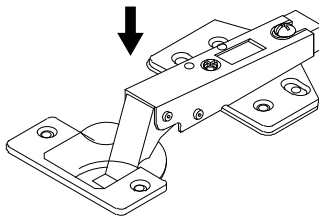




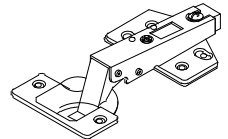
Note: The Differences Between Three Types of Hinges



J

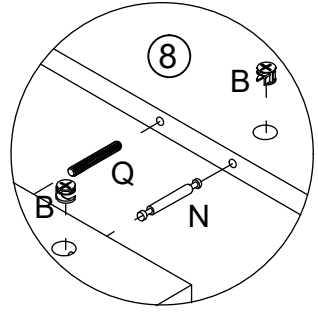
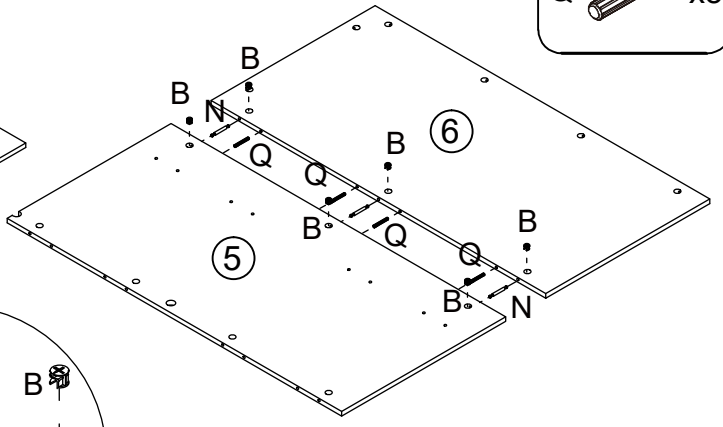
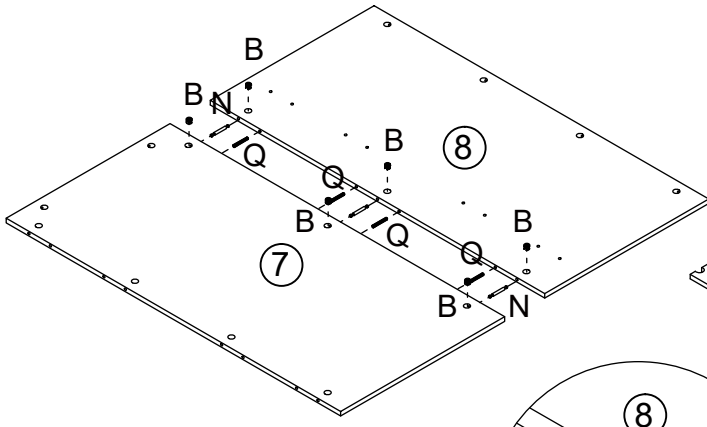
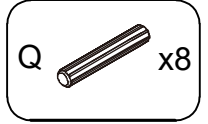
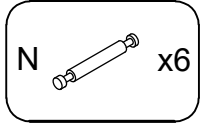
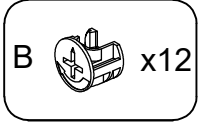


H

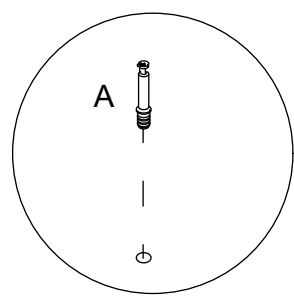
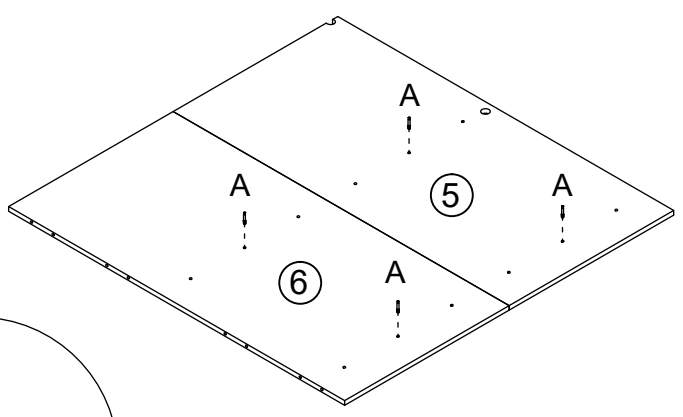
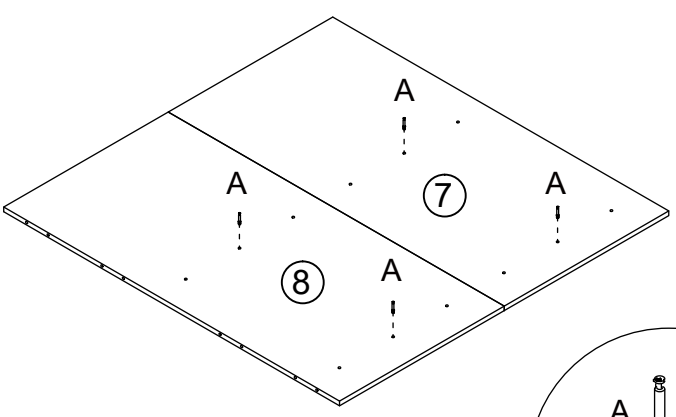
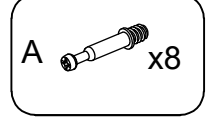


K

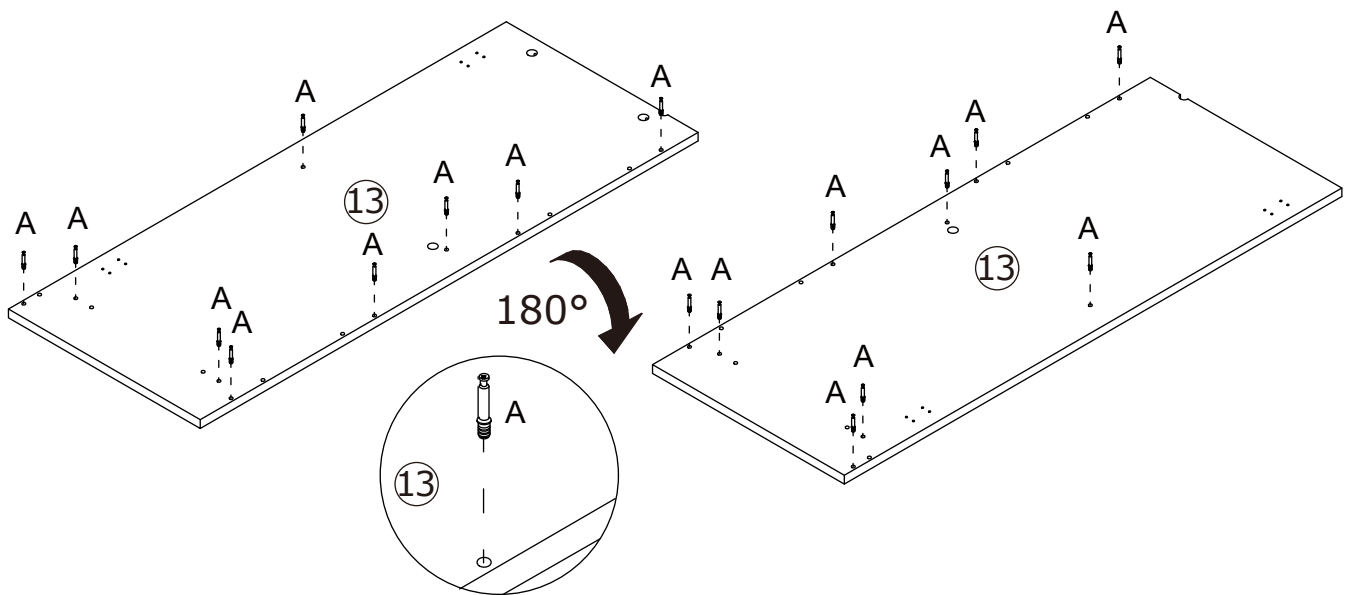
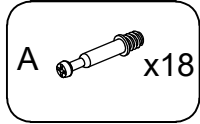
1



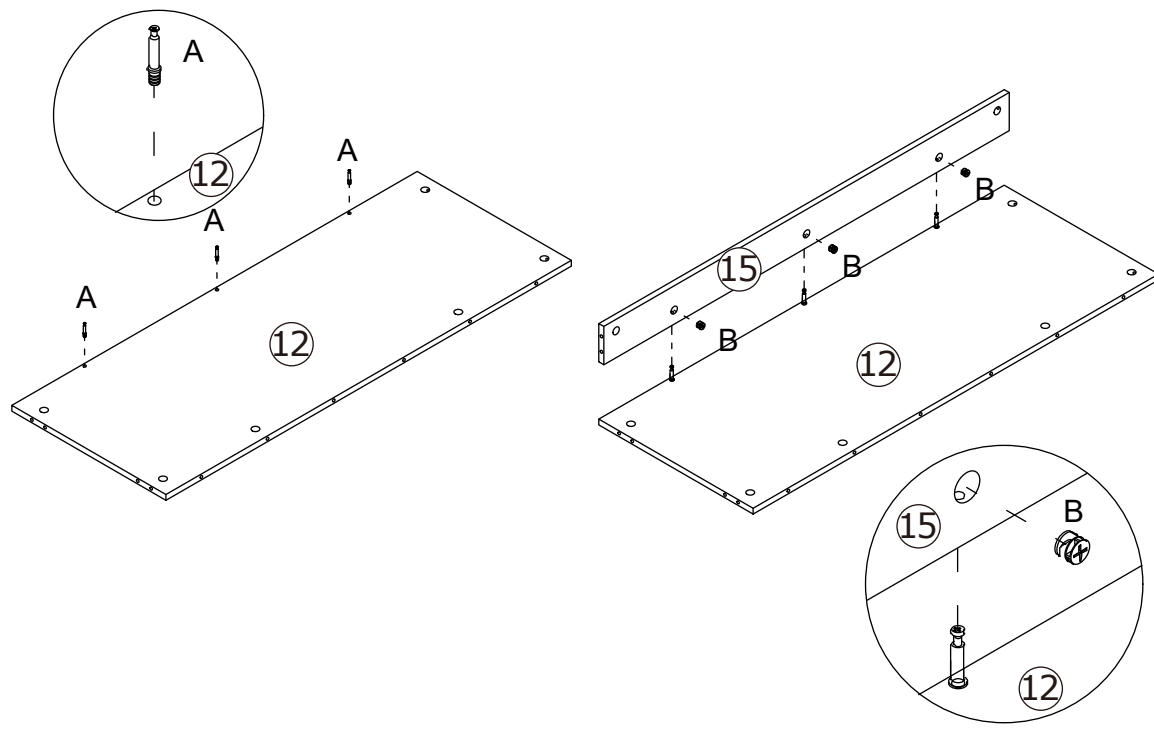
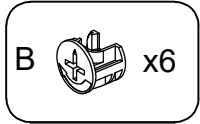
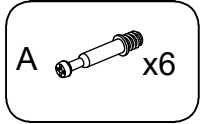
2



3

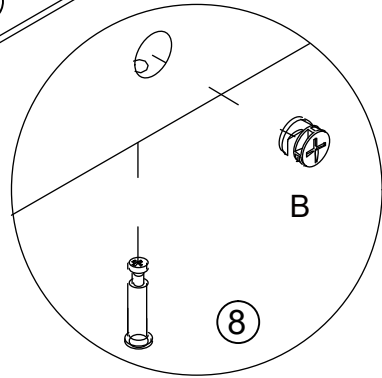
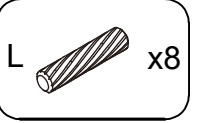
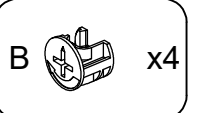
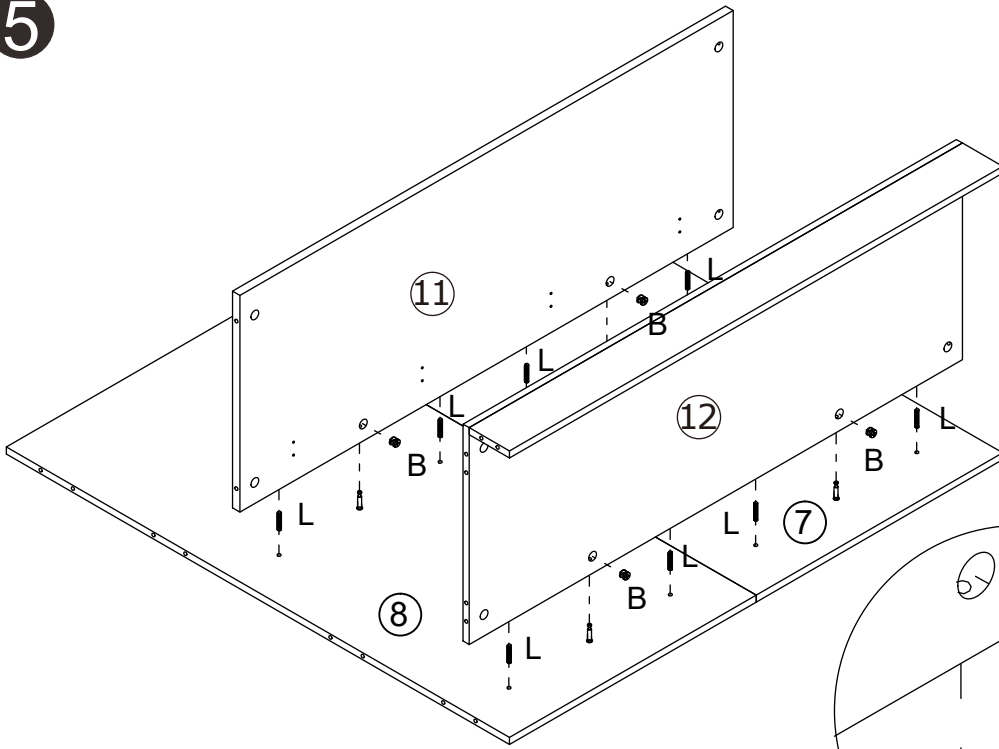


4

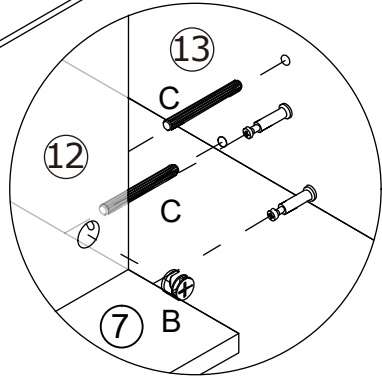
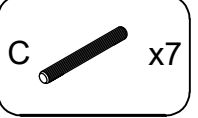
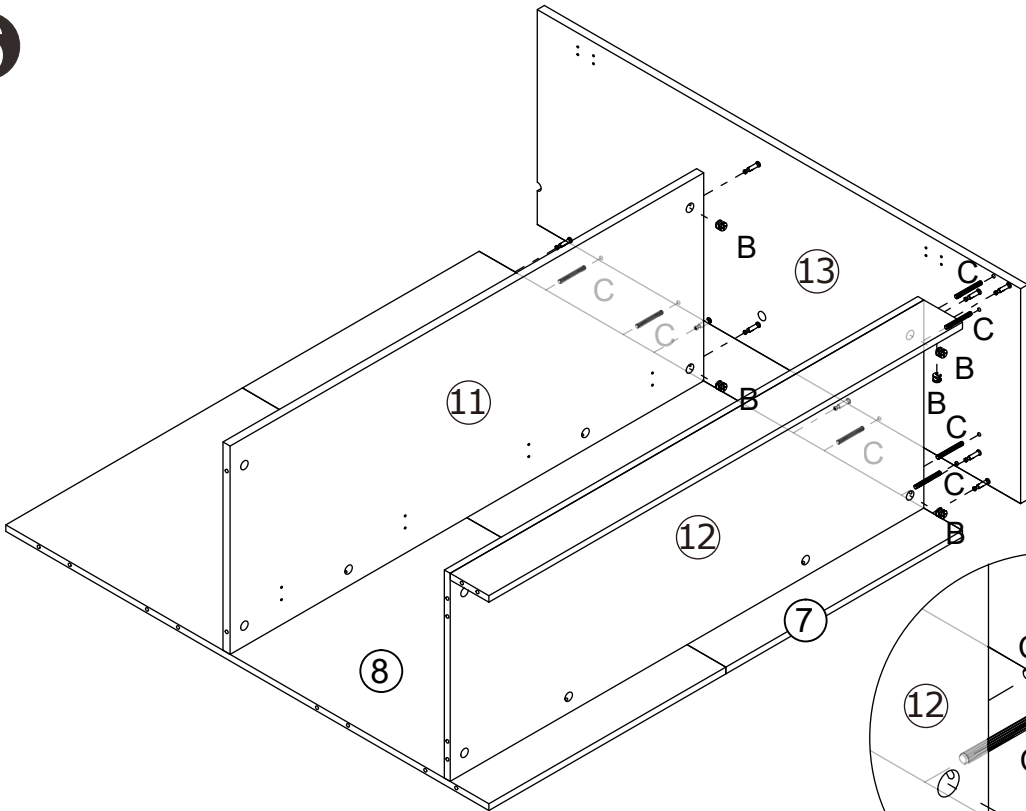


x2

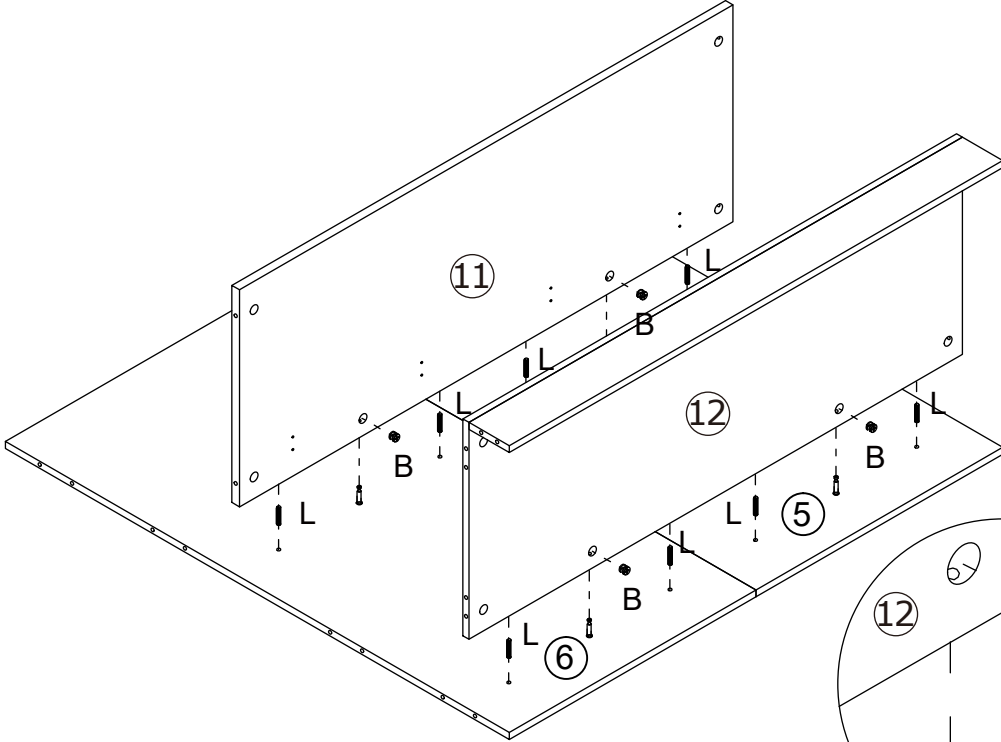
5

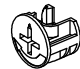



6

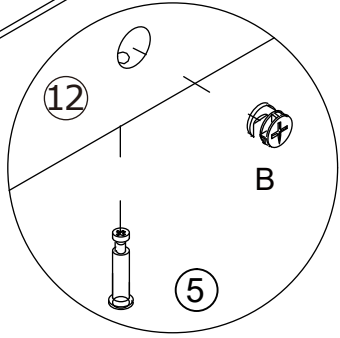


7

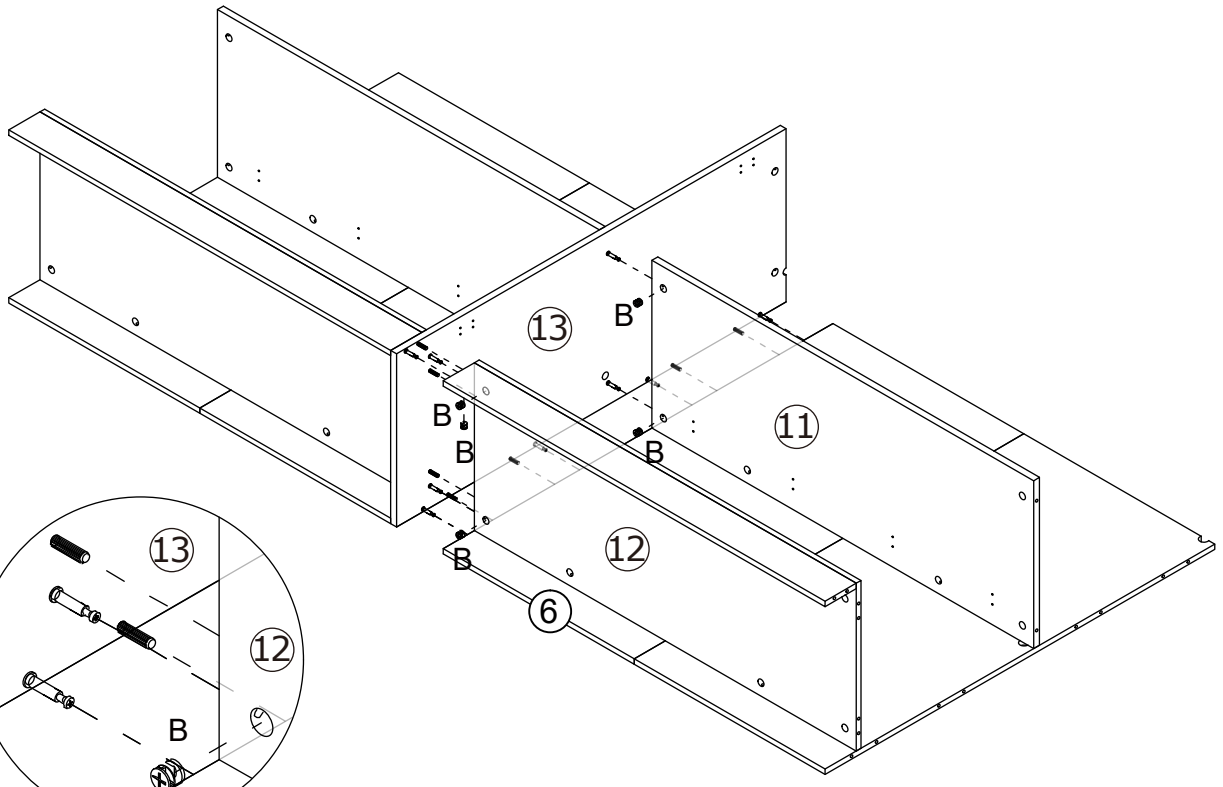



B  x4

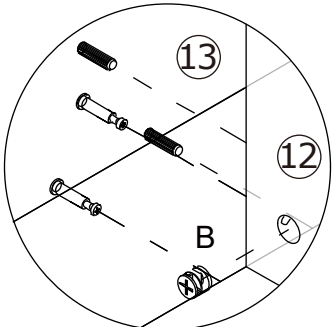
L  x8



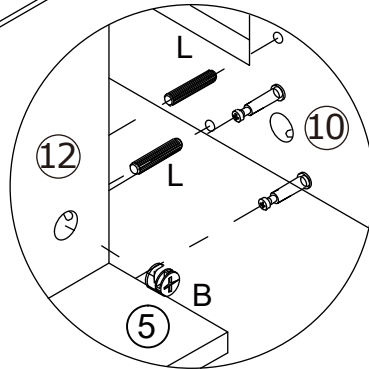
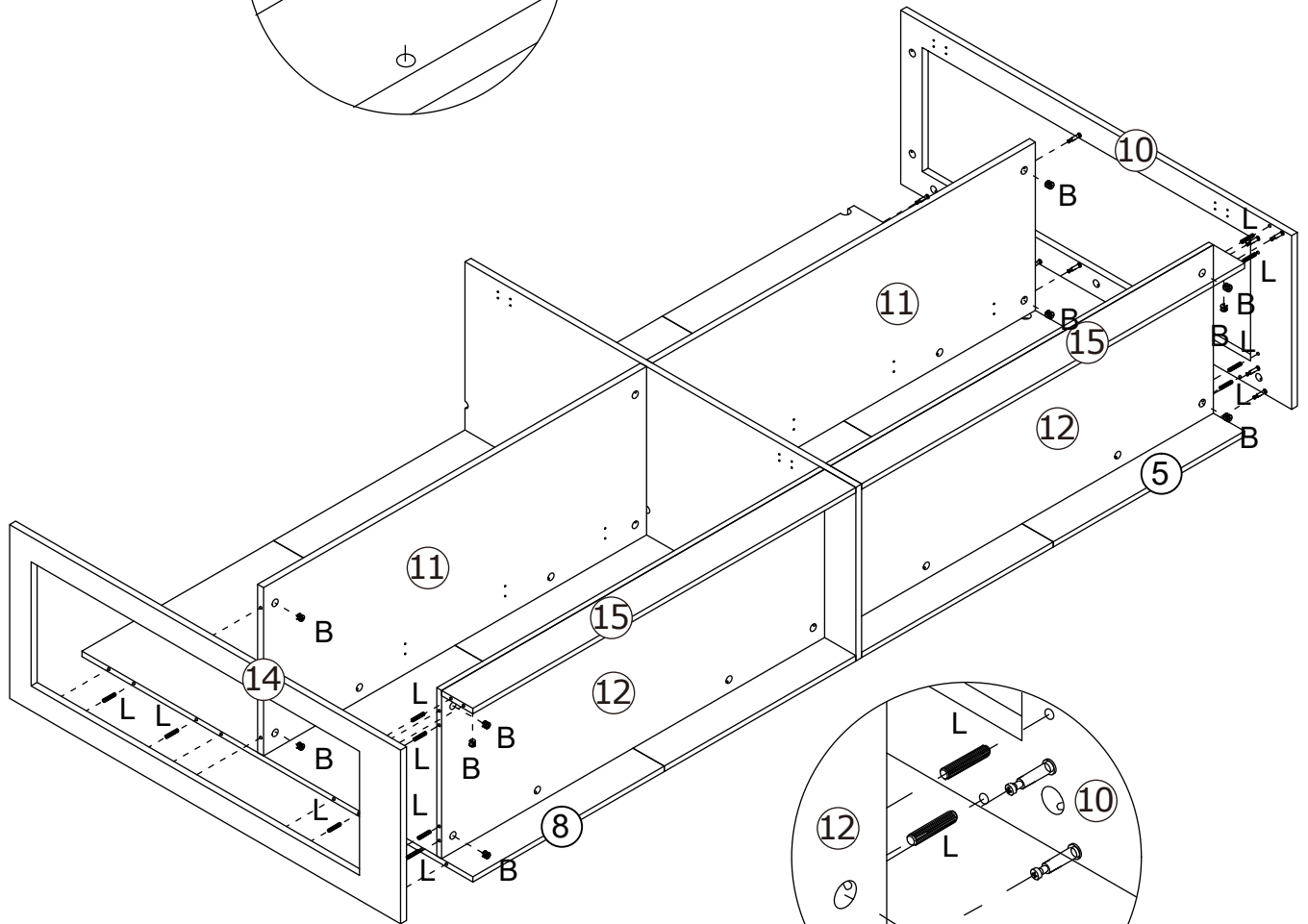
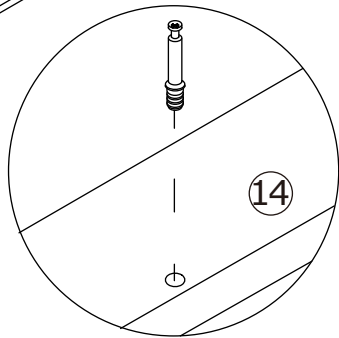
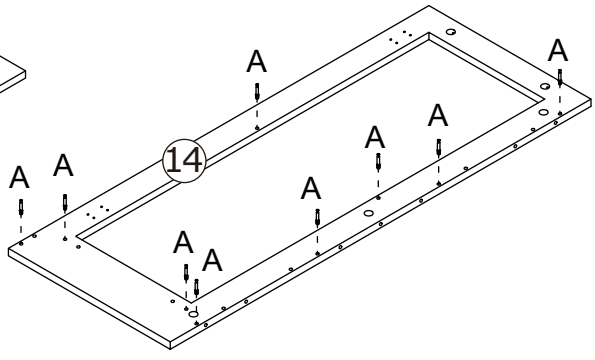
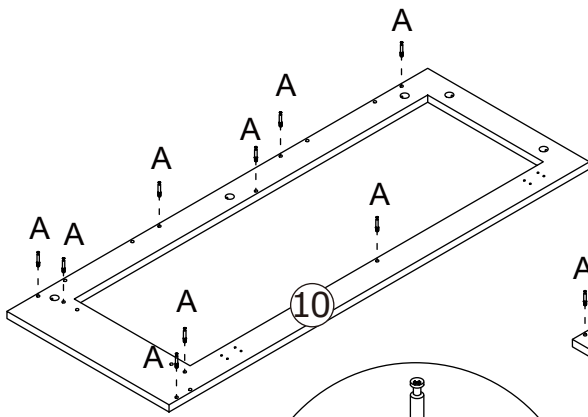
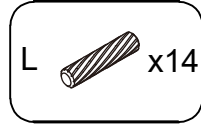
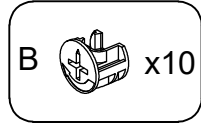
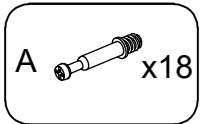
8




B  x5

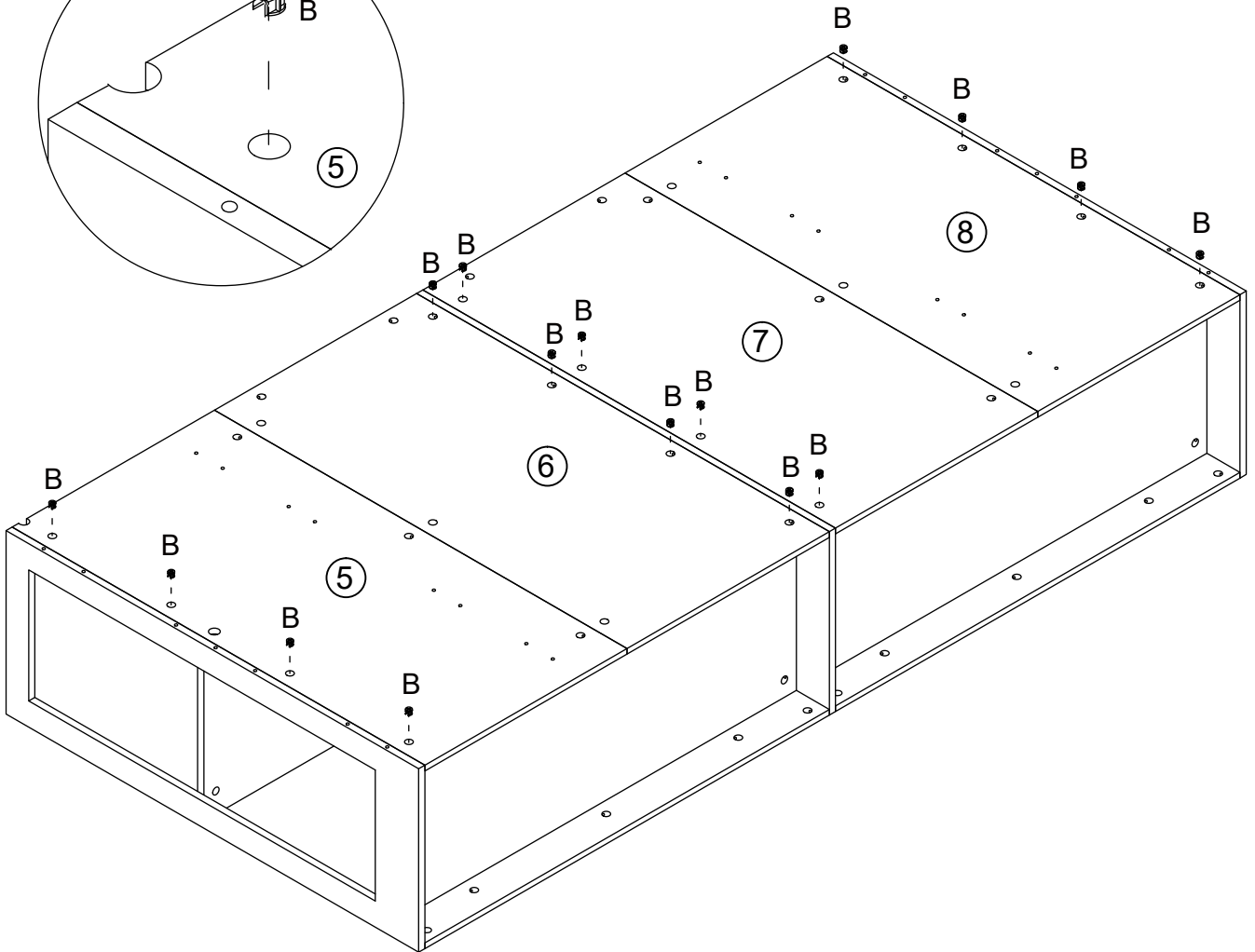
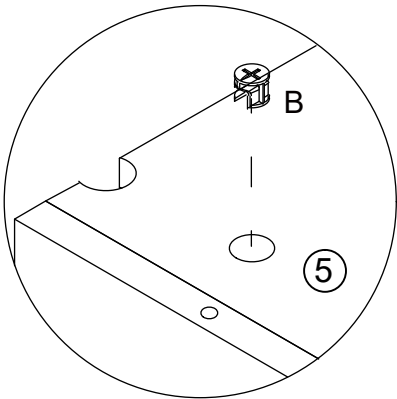


9

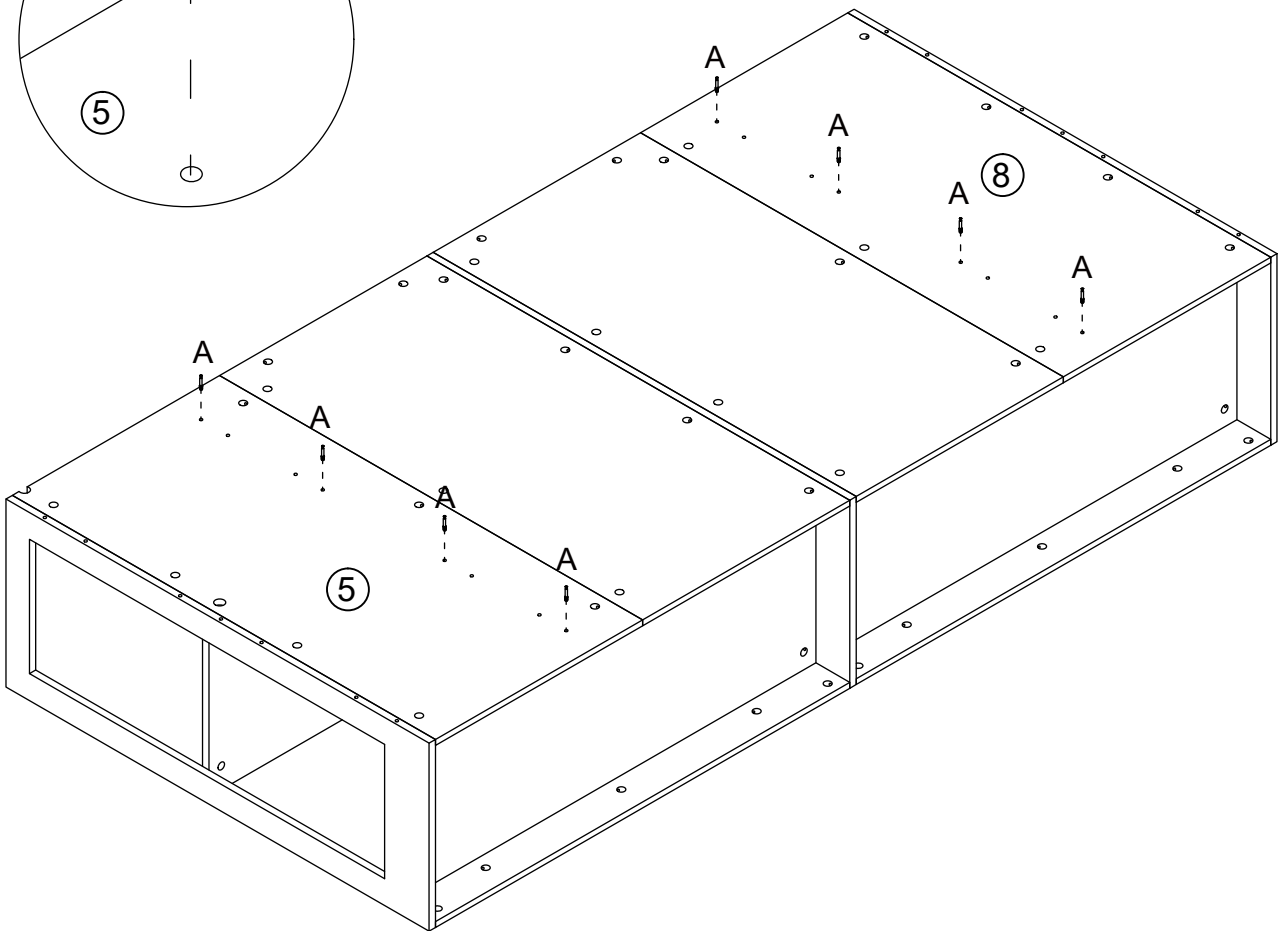
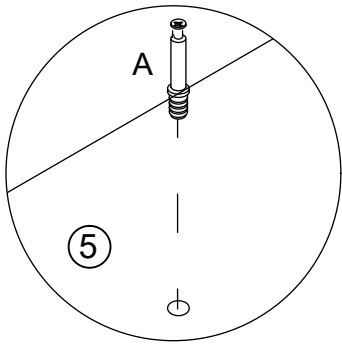
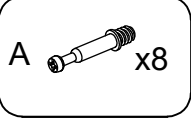


10

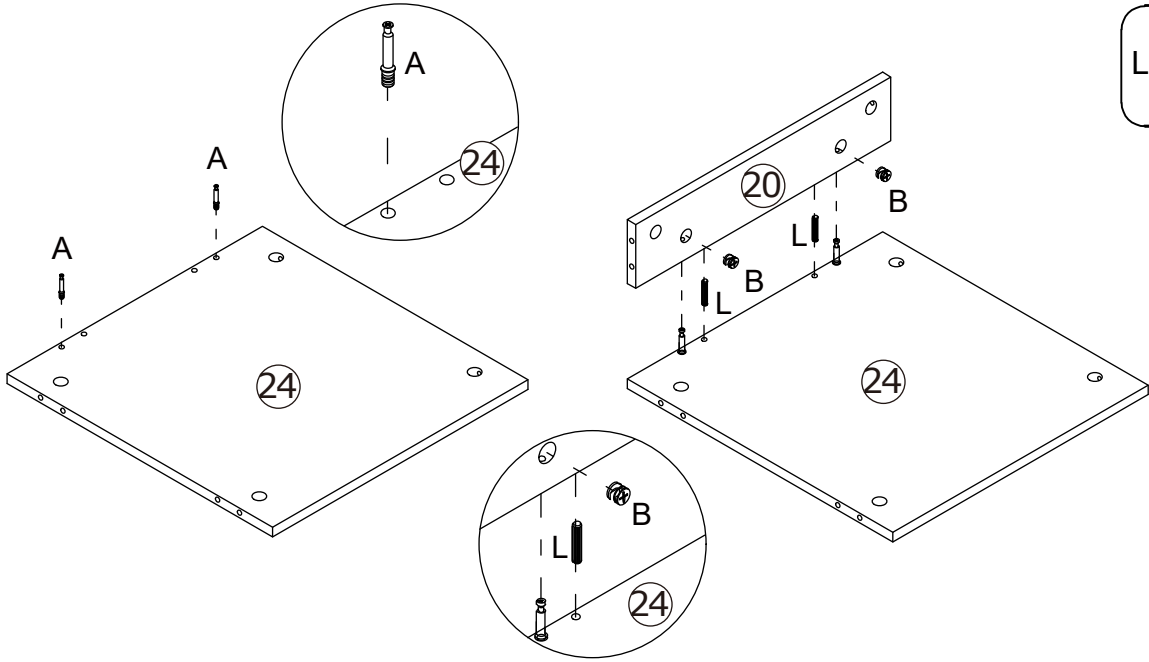
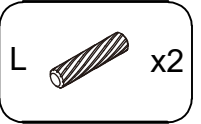
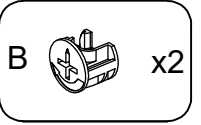
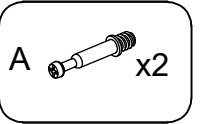
B  x16



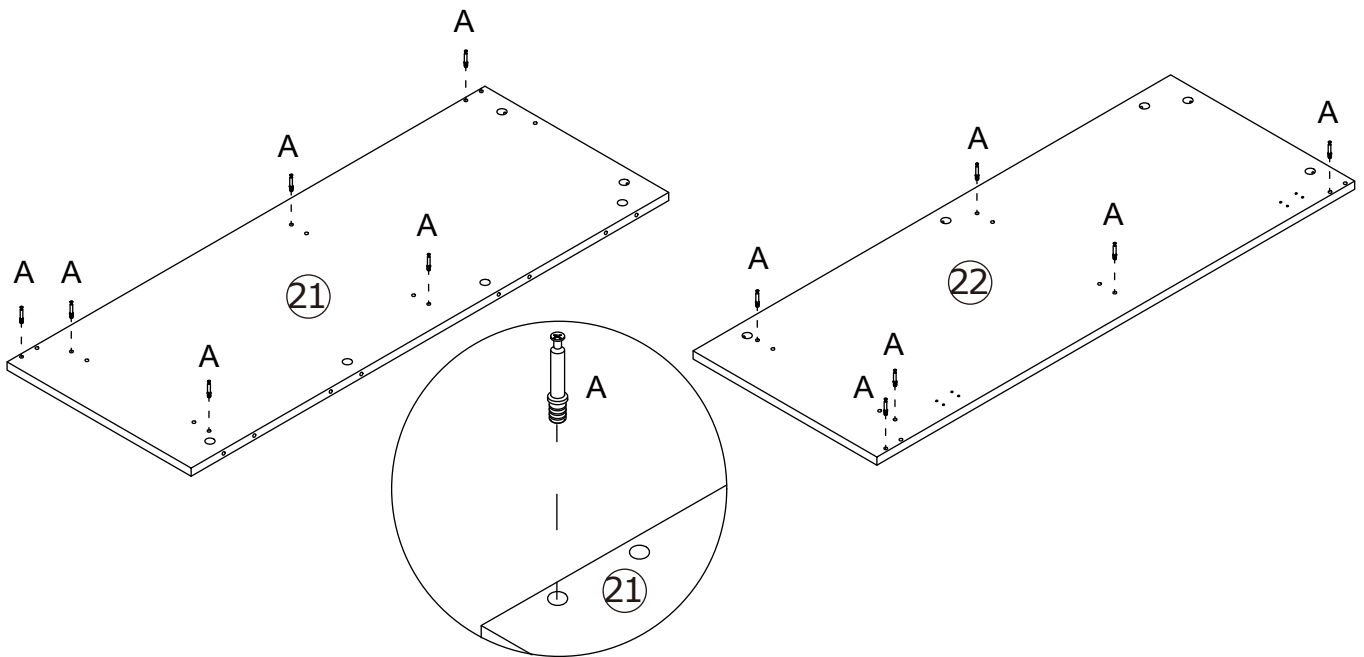
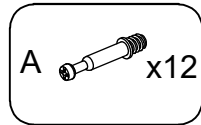
11



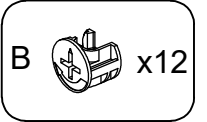
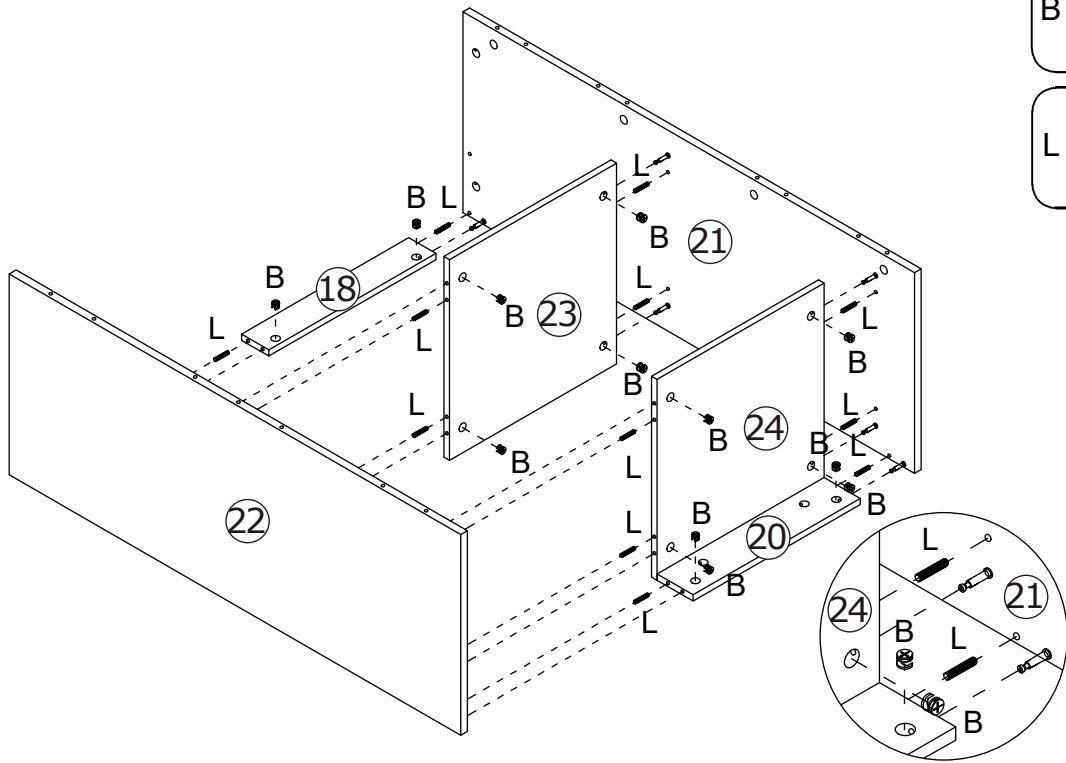
12



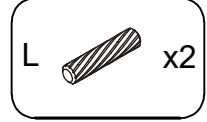
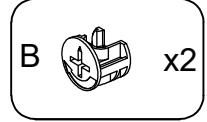
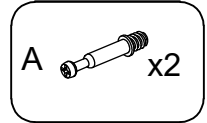
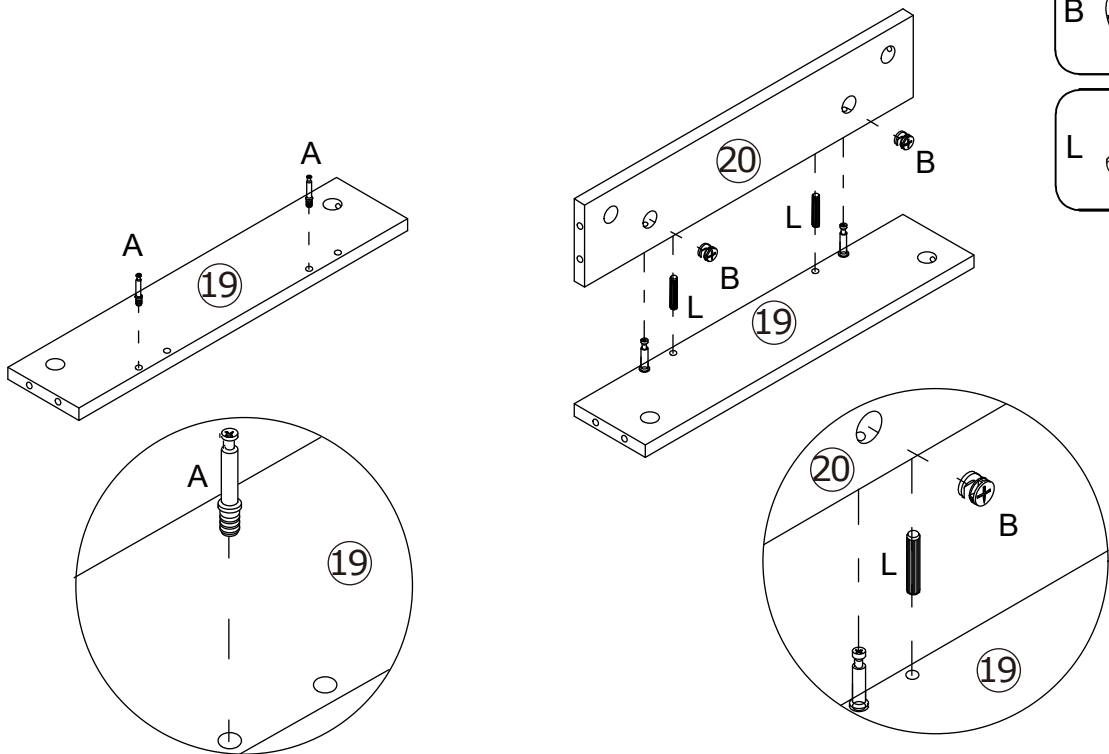
13



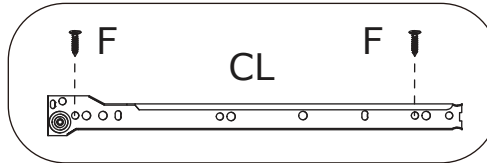
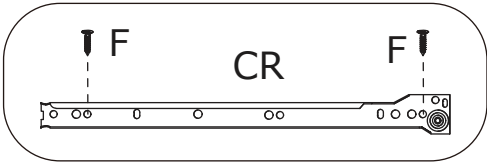
14



15



16

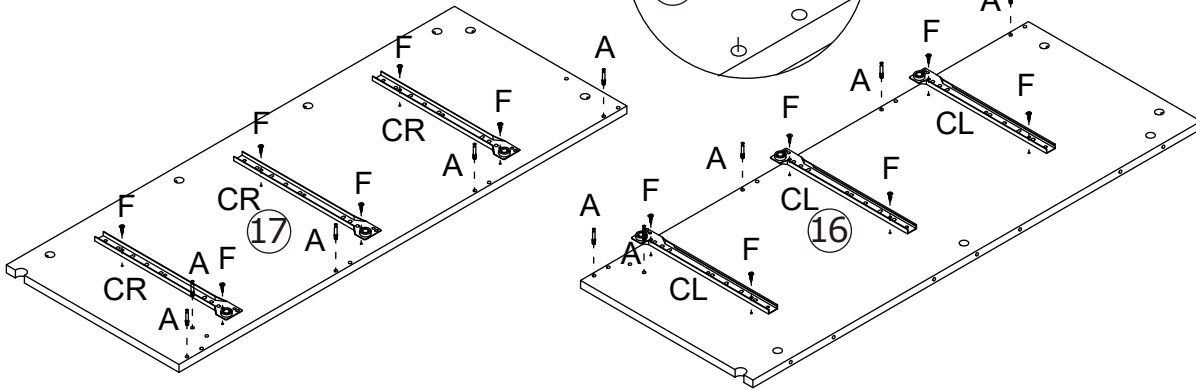
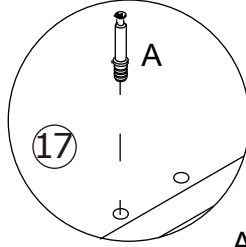


A  x10

F  x12

CR  x3

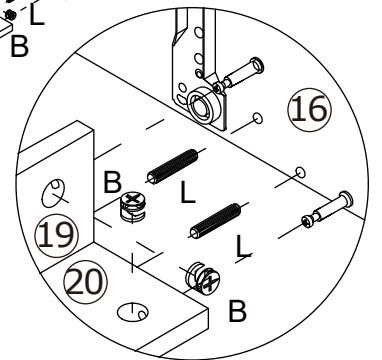
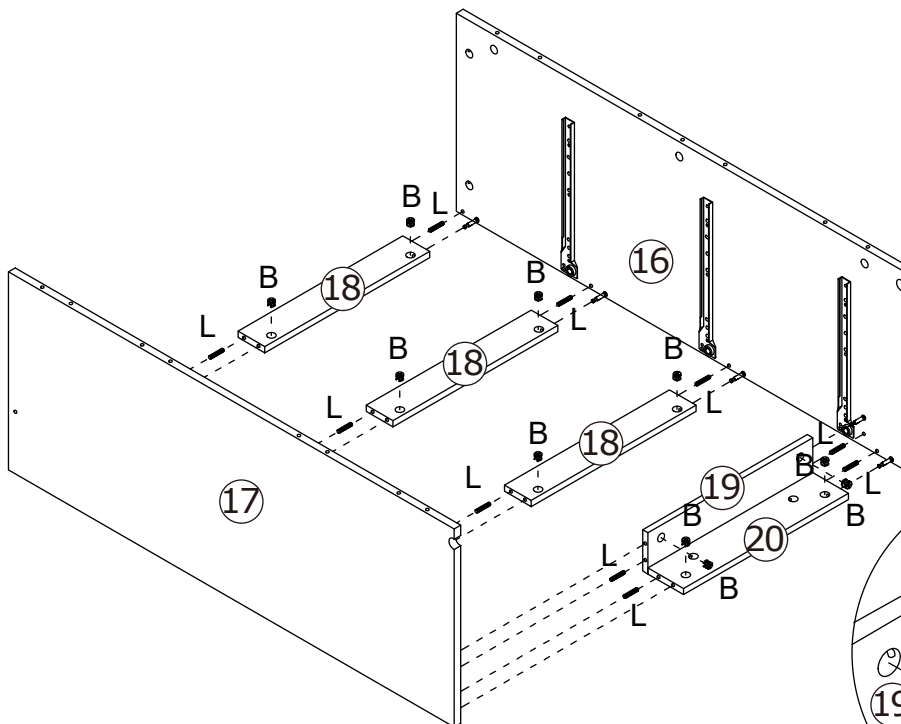
CL  x3




17

B  x10

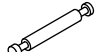
L  x10



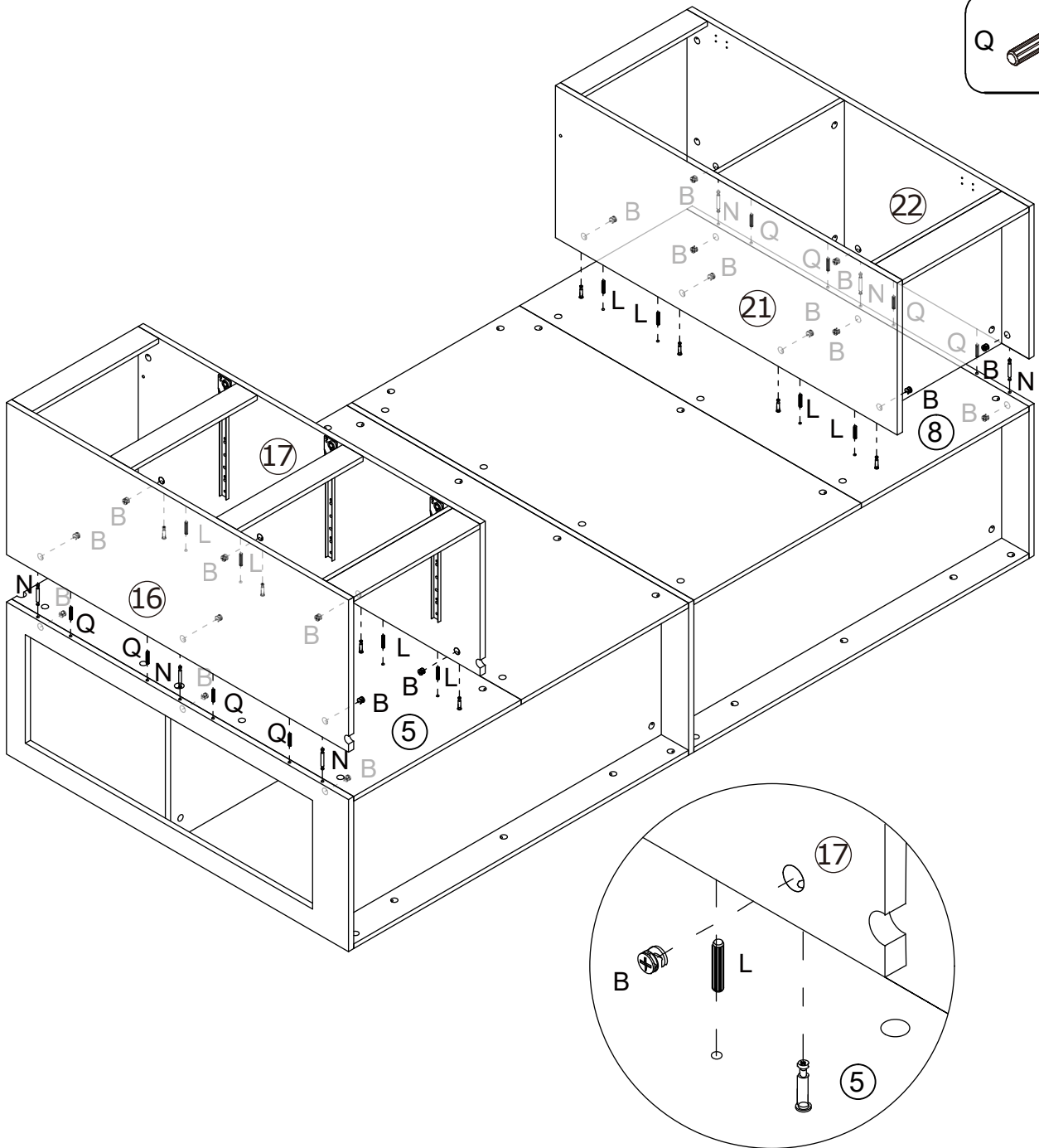
18

B  x20

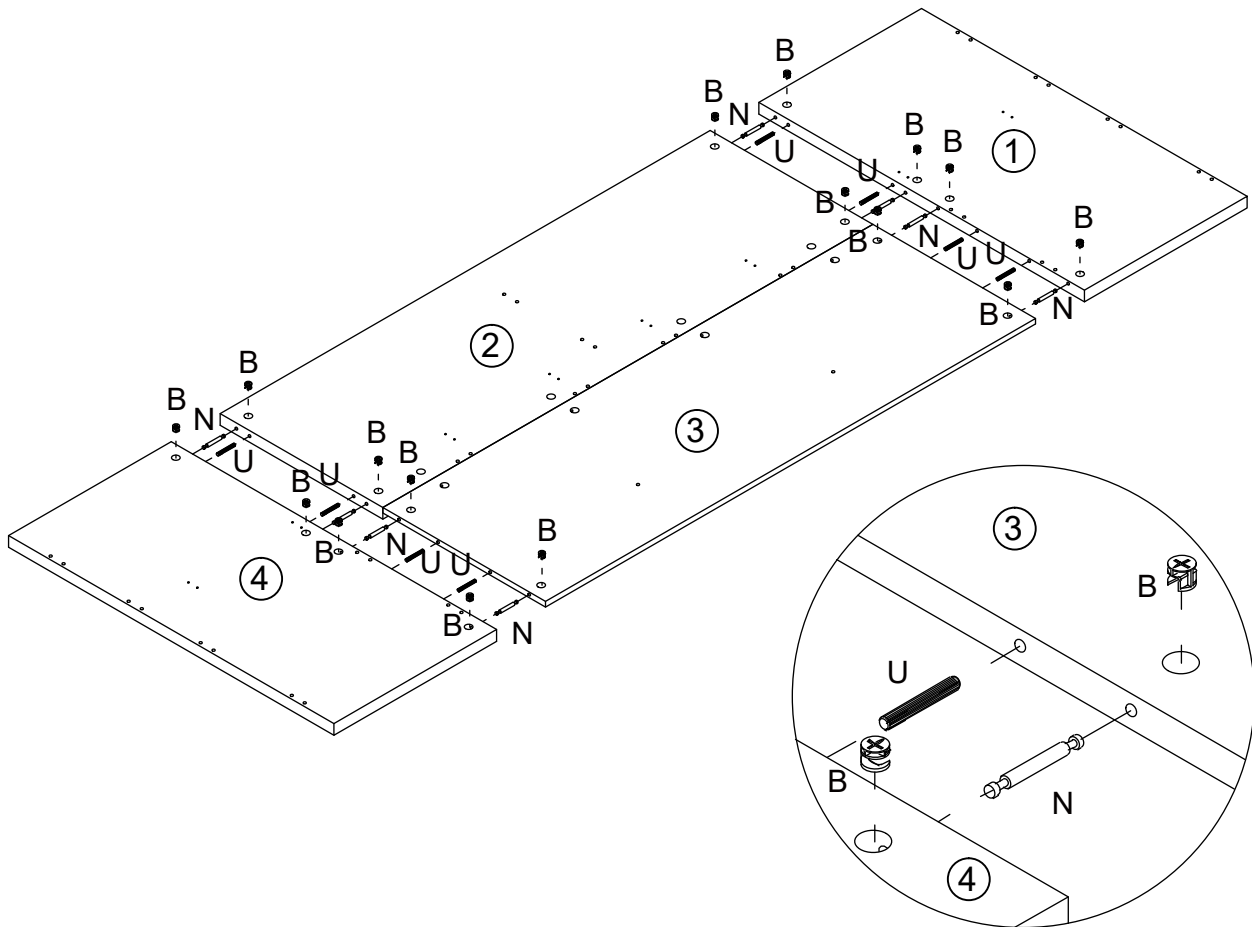
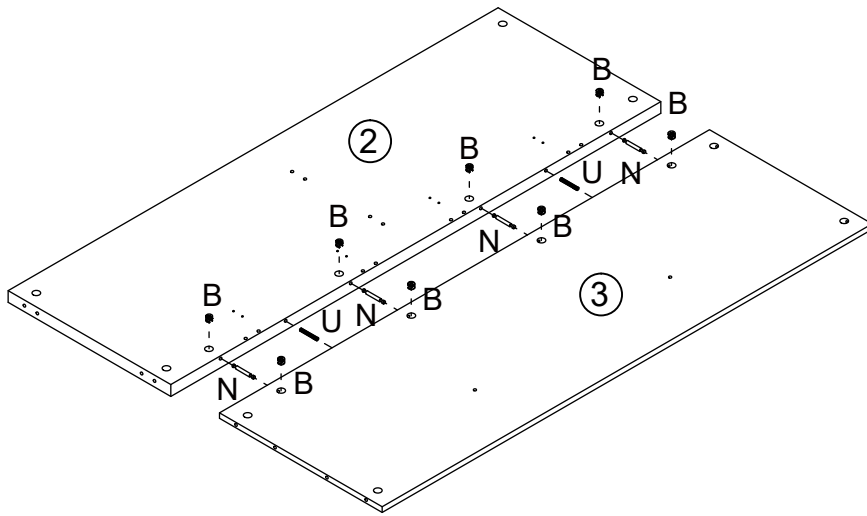
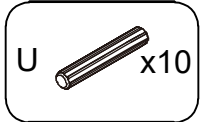
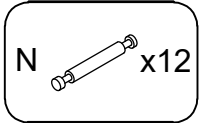
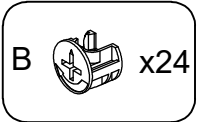
L  x8

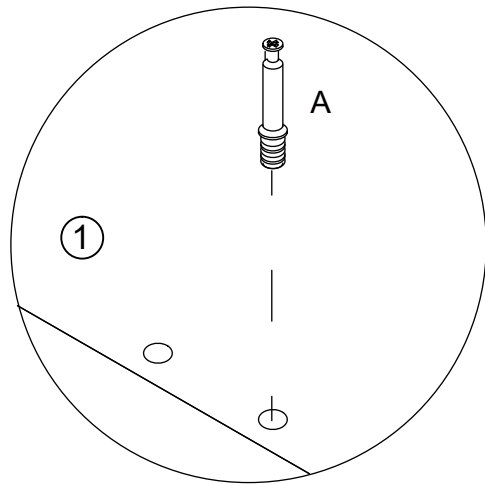
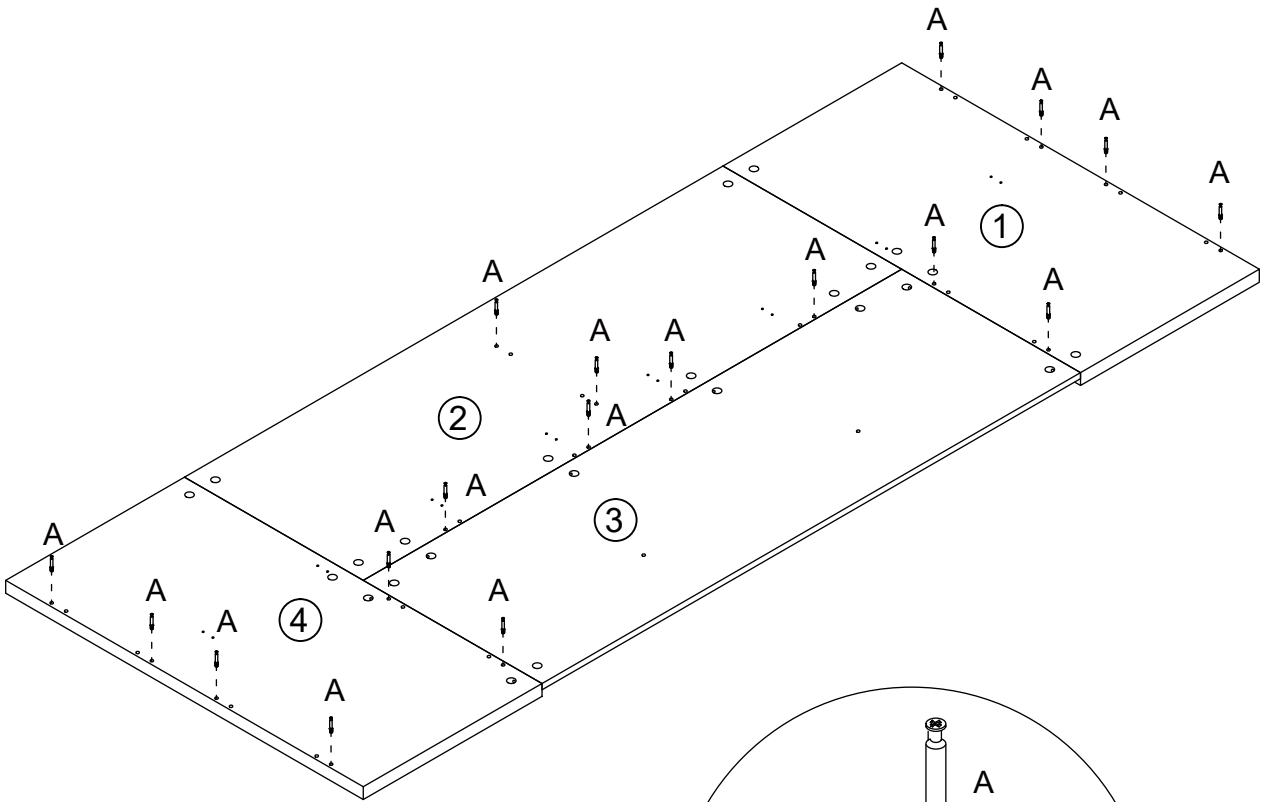
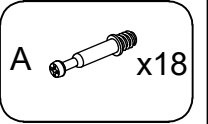
N  x6

Q  x8




19

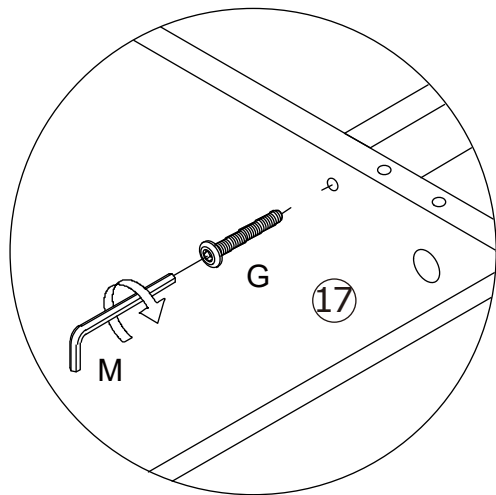
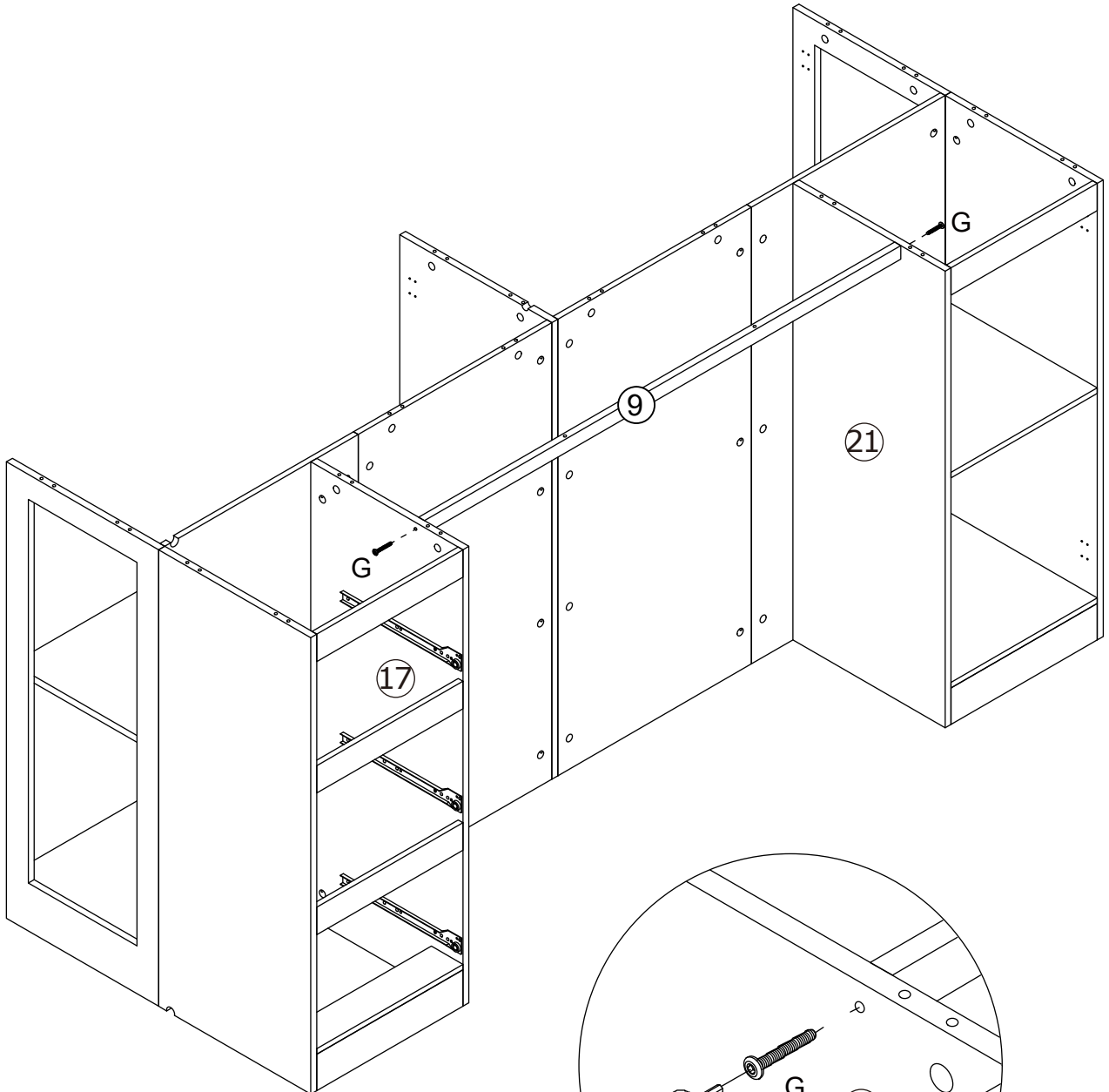




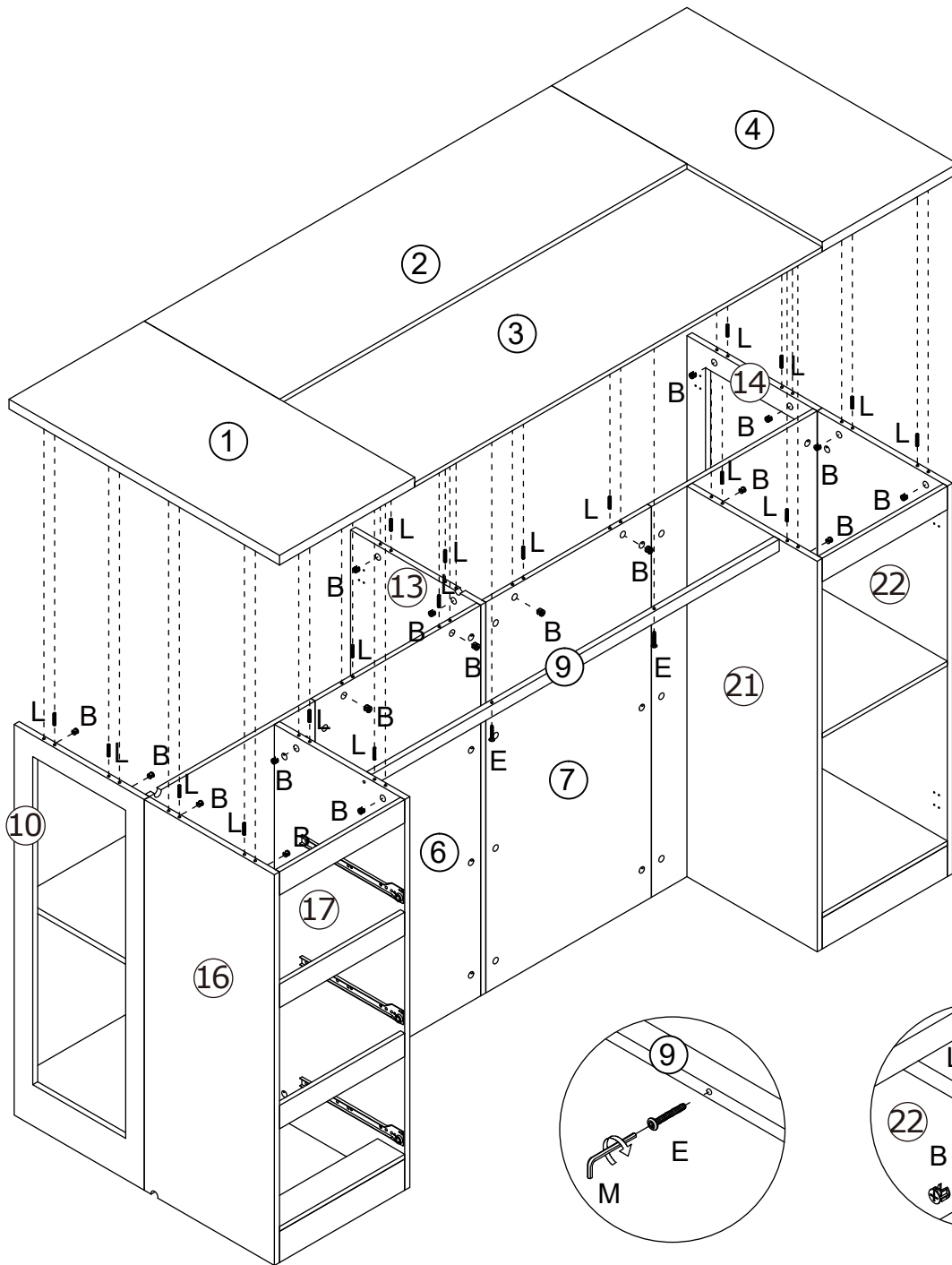
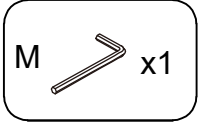
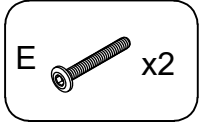
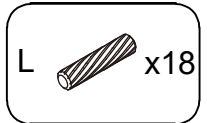
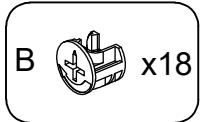
21

G  x2

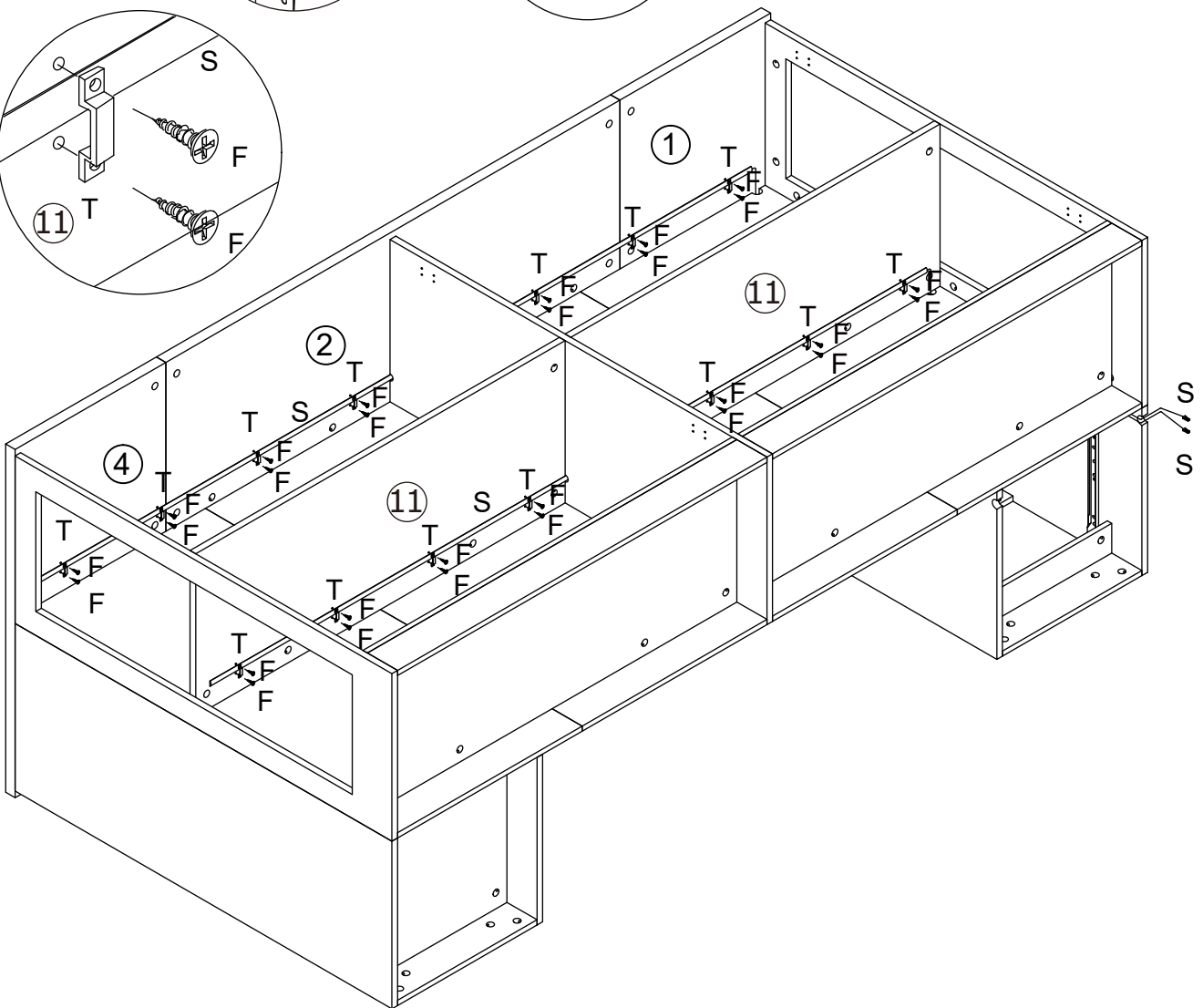
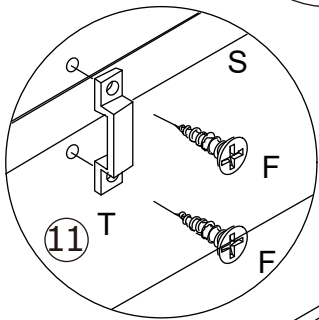
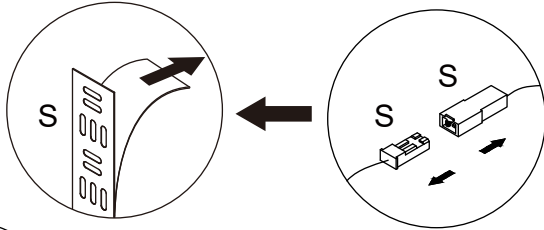
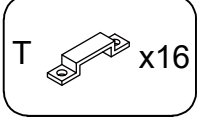
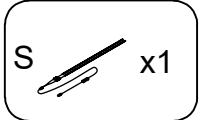
M  x1



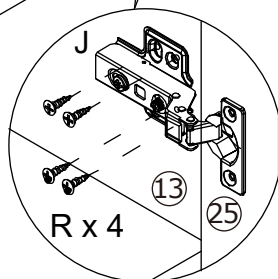
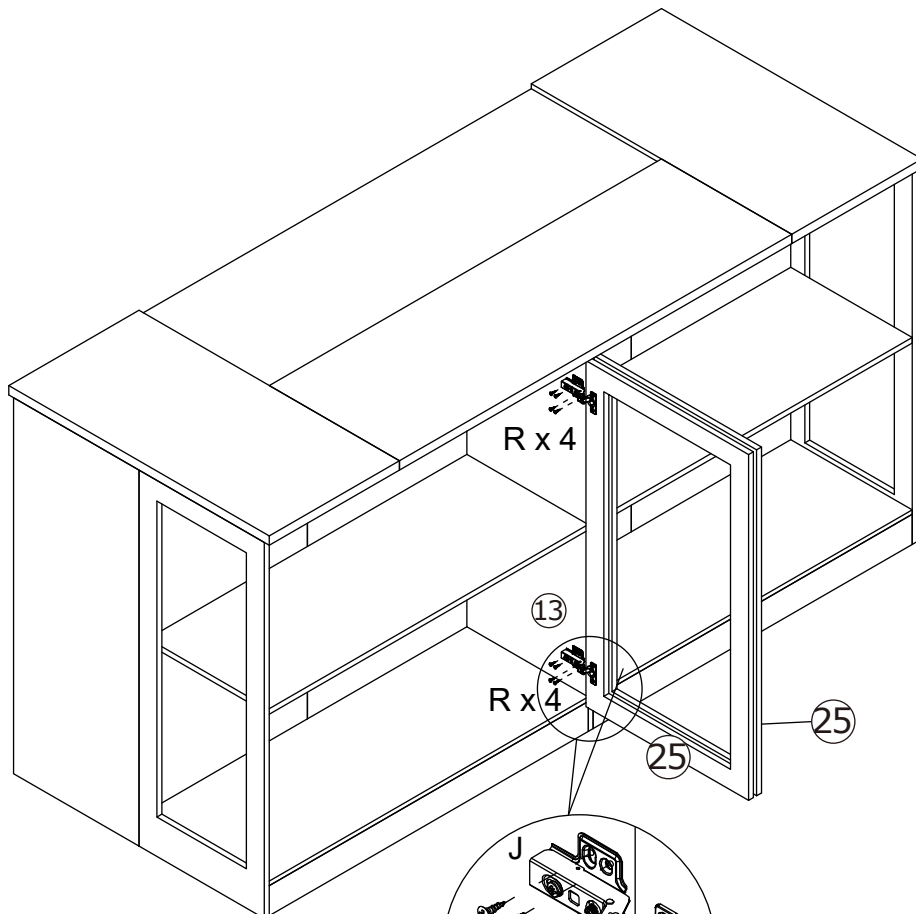
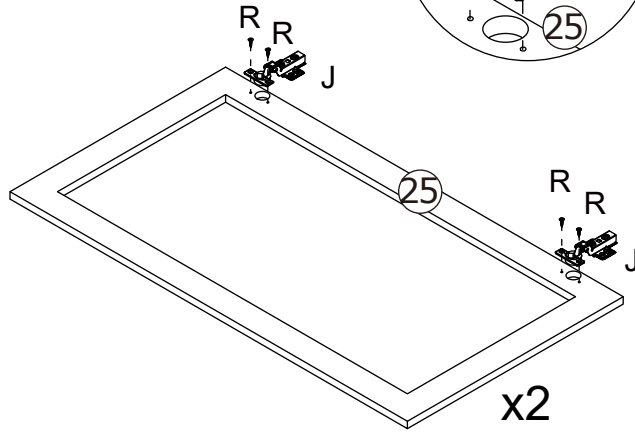
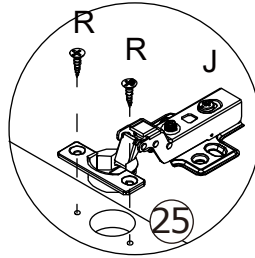
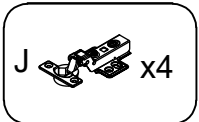
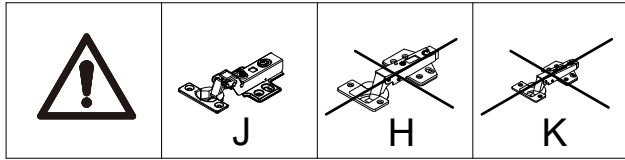
22



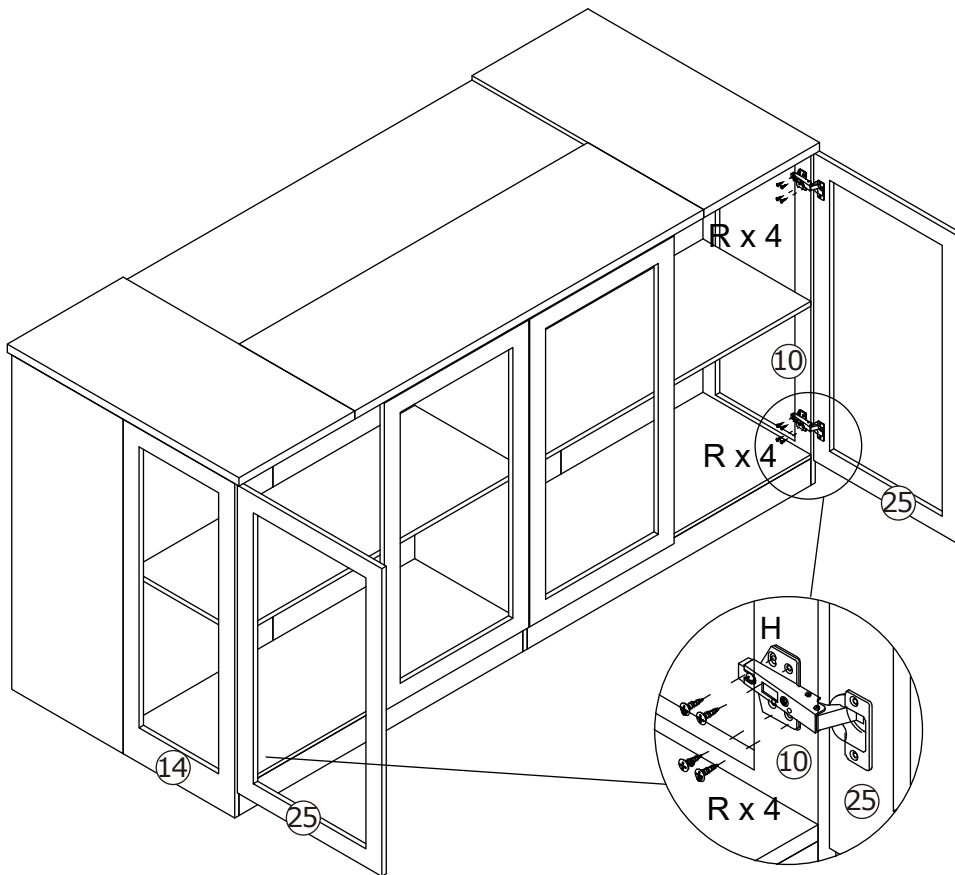
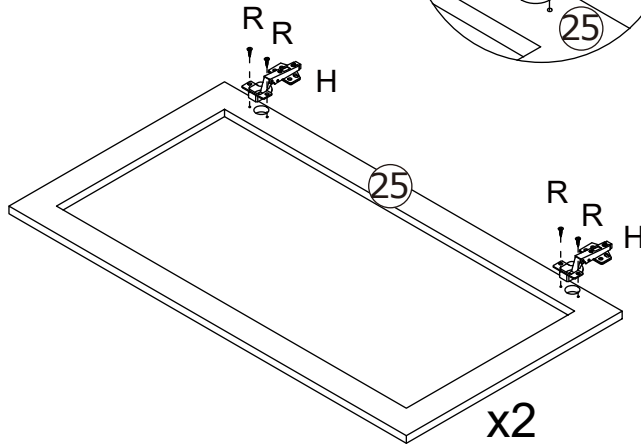
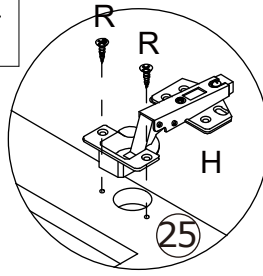
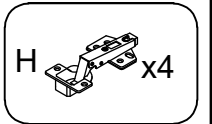
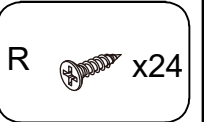
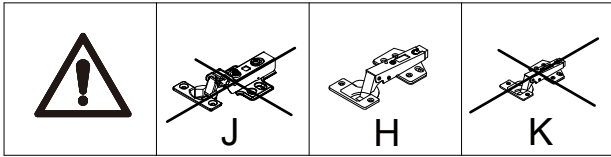
23



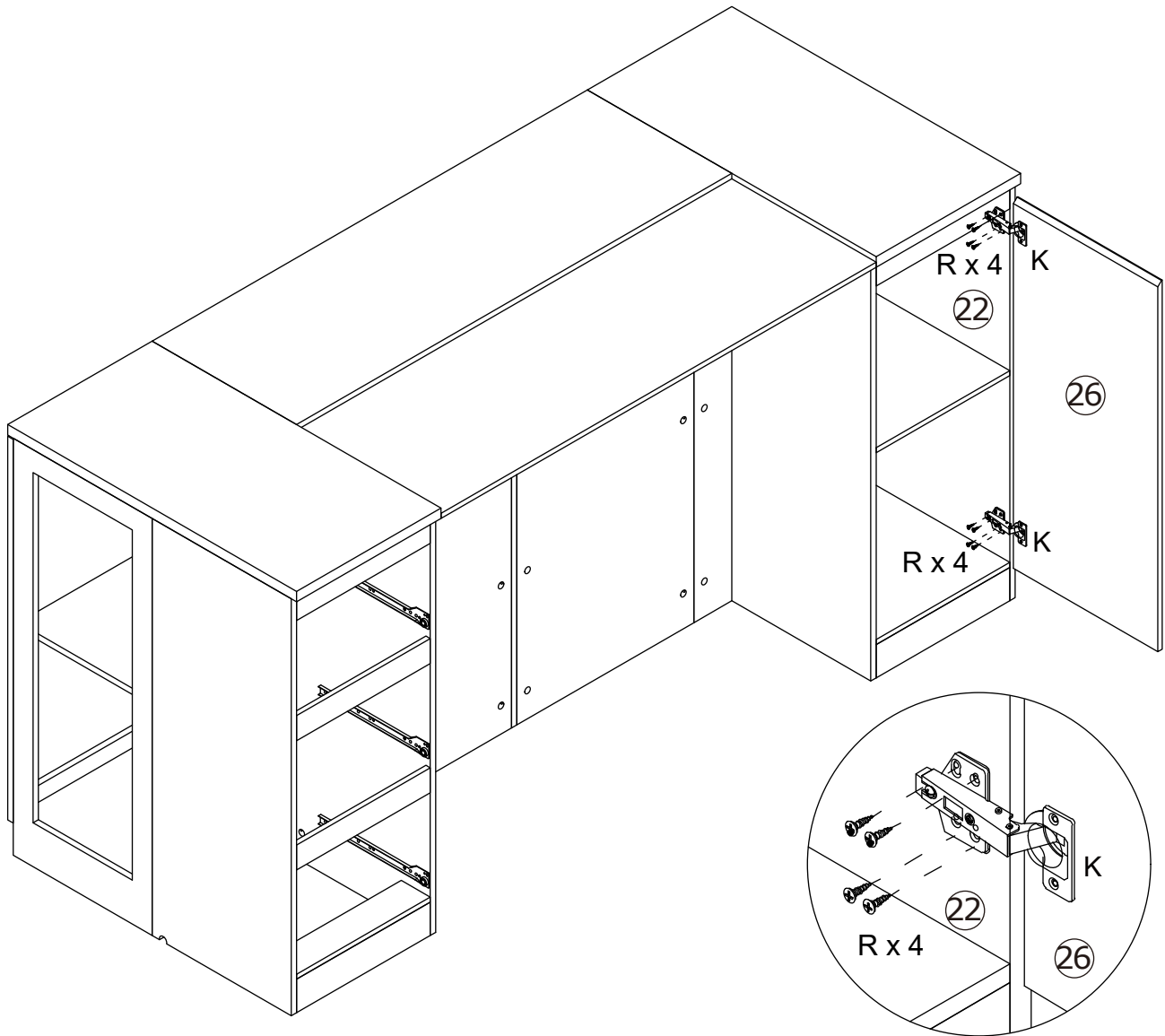
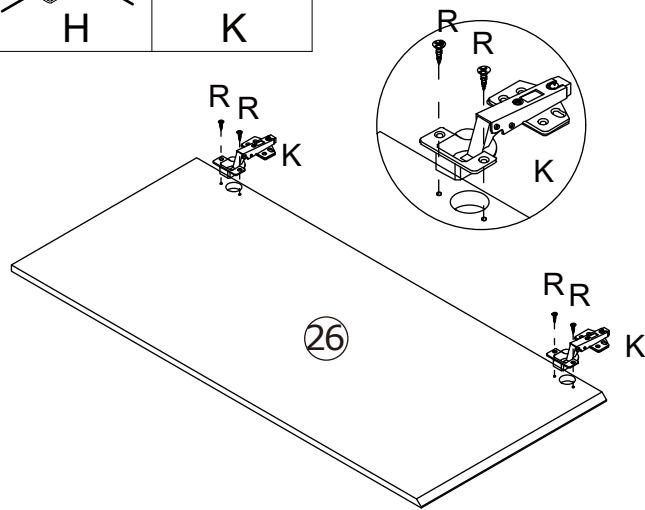
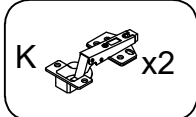
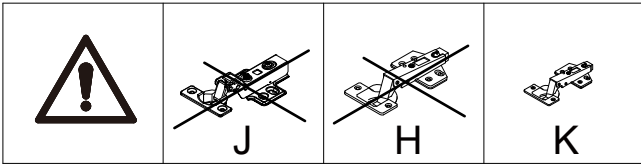
24

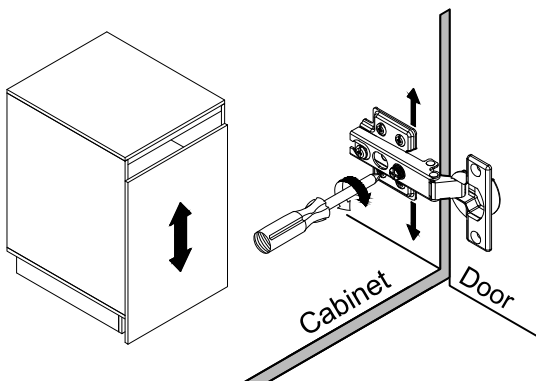
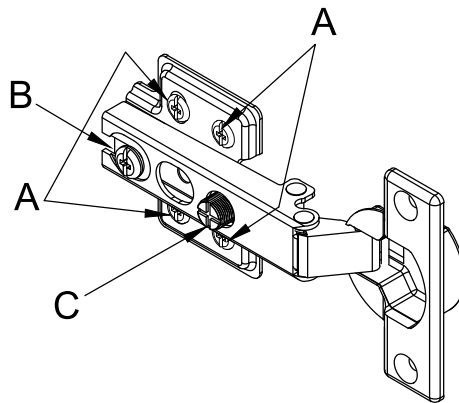


25



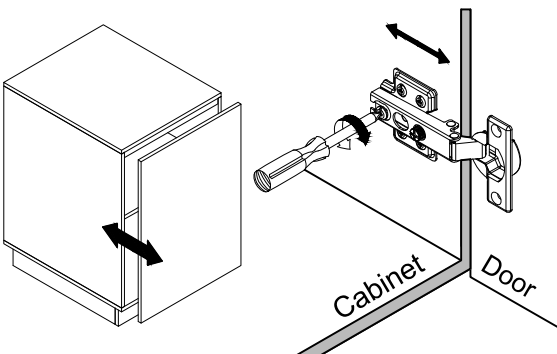
26





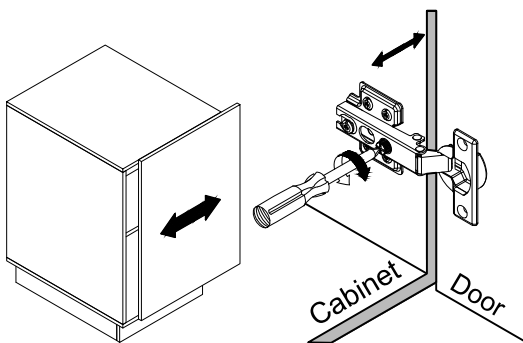
To adjust the vertical height.

Loosen the four screws "A" on both hinges. Two of them are usually in slotted holes which allows you to adjust up or down by a few mm. Then tighten back up.



To adjust depth.

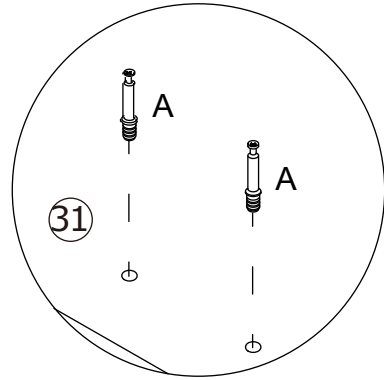
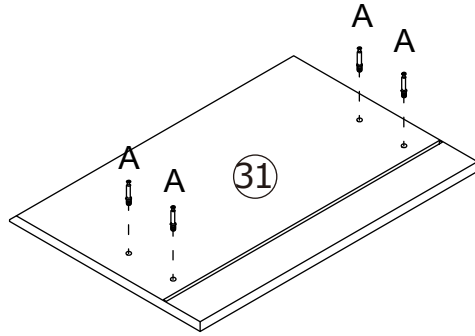
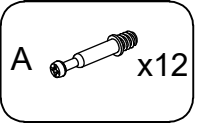
Loosen screw "B" and adjust door, if the door can not be adjusted, please loosen screw "C", then try again. Tighten screw "B" and "C".



To adjust side ways.

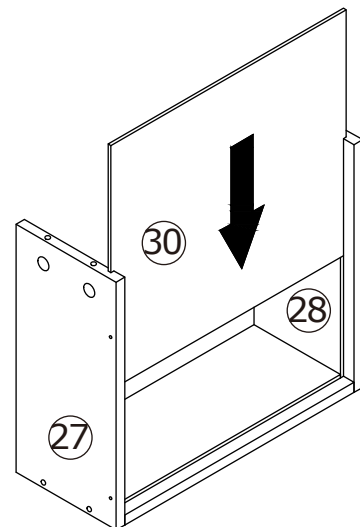
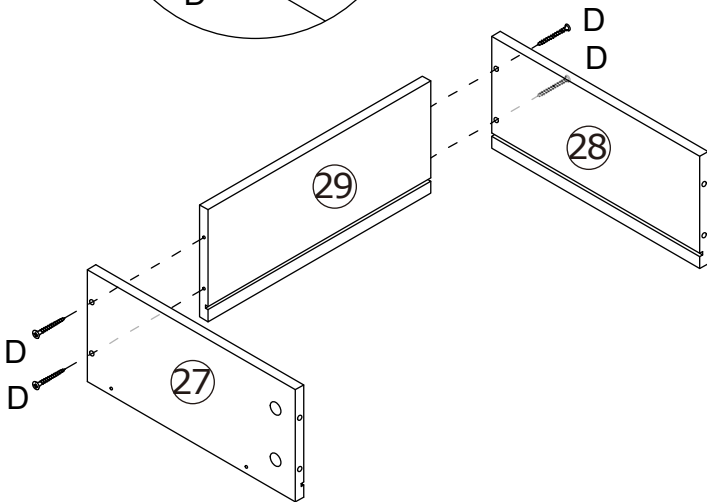
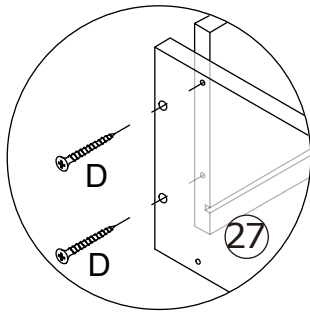
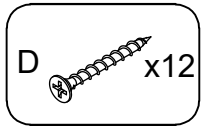
Turning the screw "C" on BOTH hinges on each door.

28



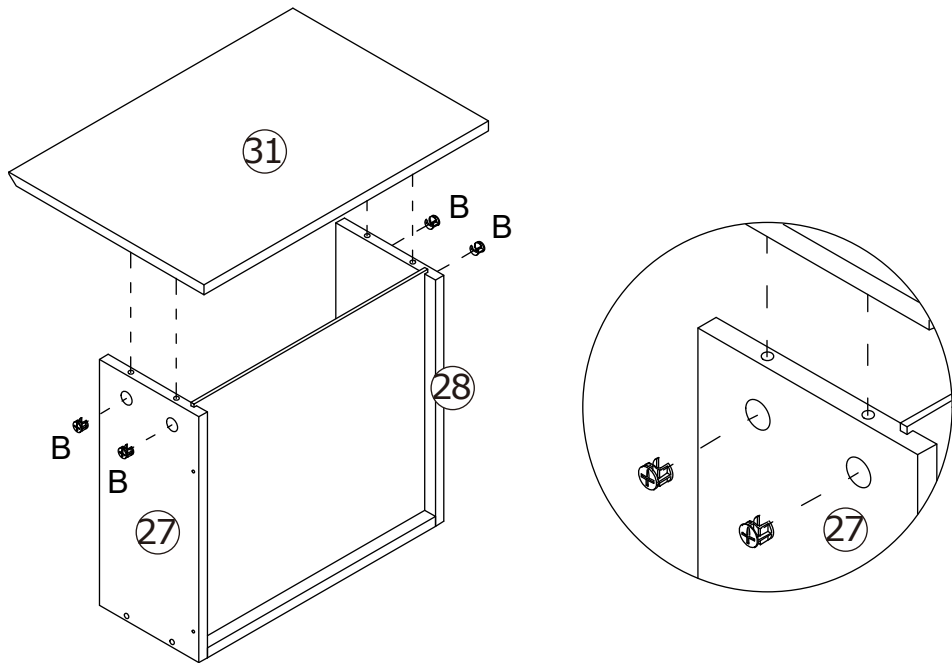
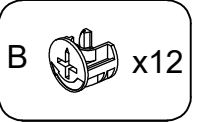
x3

29



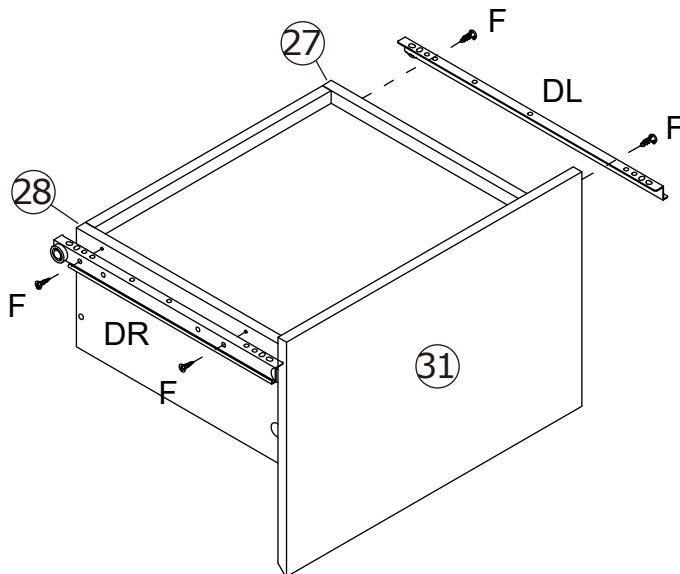
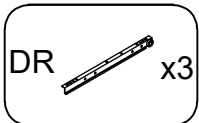
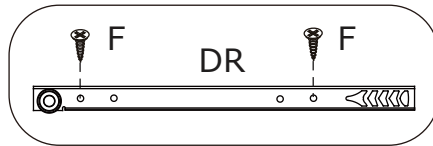
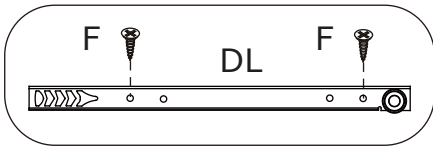
x3

30



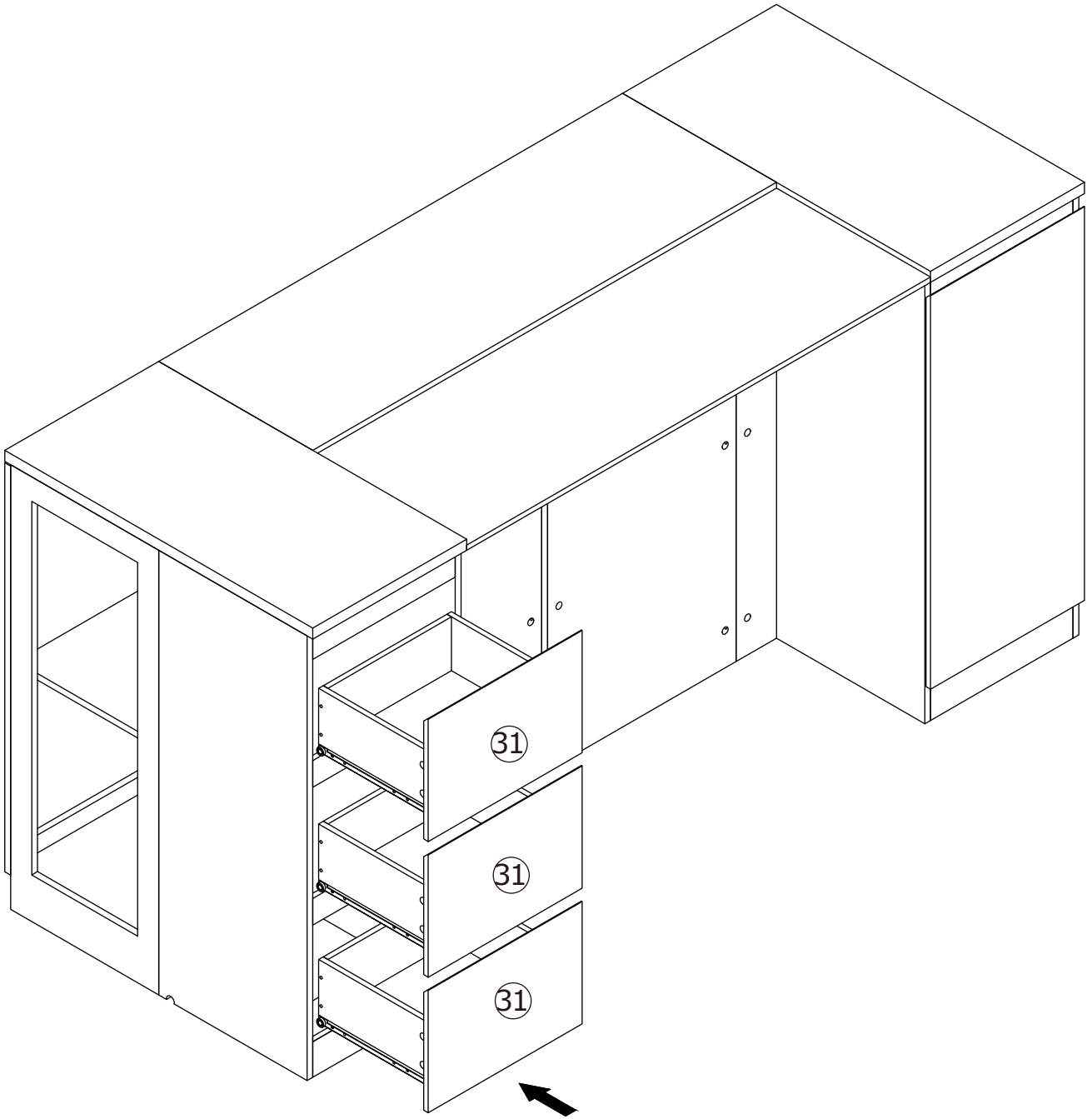
x3

31




x3

32



33

P  x20

