

---

**NOTE:**

---

This brochure contains IMPORTANT safety info. Please read  
and keep for future reference.

---

# MAINTAINANCE

## AND WARNING

- Keep furniture away from heat sources.
- Do not clean furniture with harsh cleaner or polishes. Do not use detergents, Solvents, abrasives, spray packs or leather cleaner. Use non-color mild soap with warm water to clean spills(Mix 1:10 soap to water)
- Do not place furniture under direct sunlight, material will possibly fade over time.
- Do not use on site dry Cleaning machine.
- Children should not climb or jump on the furniture.
- Do not write on furniture that is not protected by a padded barrier .
- Not for commercial use, only for residential use.



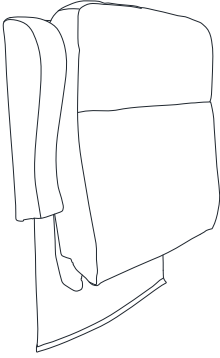
Weight Limitation

**300LBS**

# PARTS

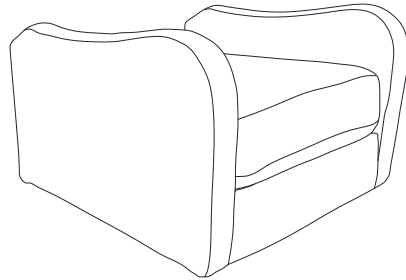
## LIST 1

A\*1



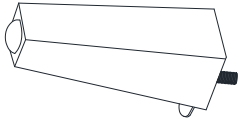
Back

B\*1



Seat frame

C\*2



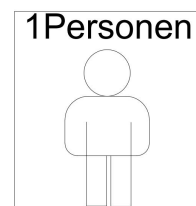
Front Legs

D\*2







Back Legs

Persons Required For Assembly :






# HARDWARE

## LIST

①	X4	②	X4	③	X4	④	X1
							
Bolt 5/16*30mm		Flat Washer 5/16*18mm		Spring Washer 5/16		Allen Key 5/16	

## SPARE

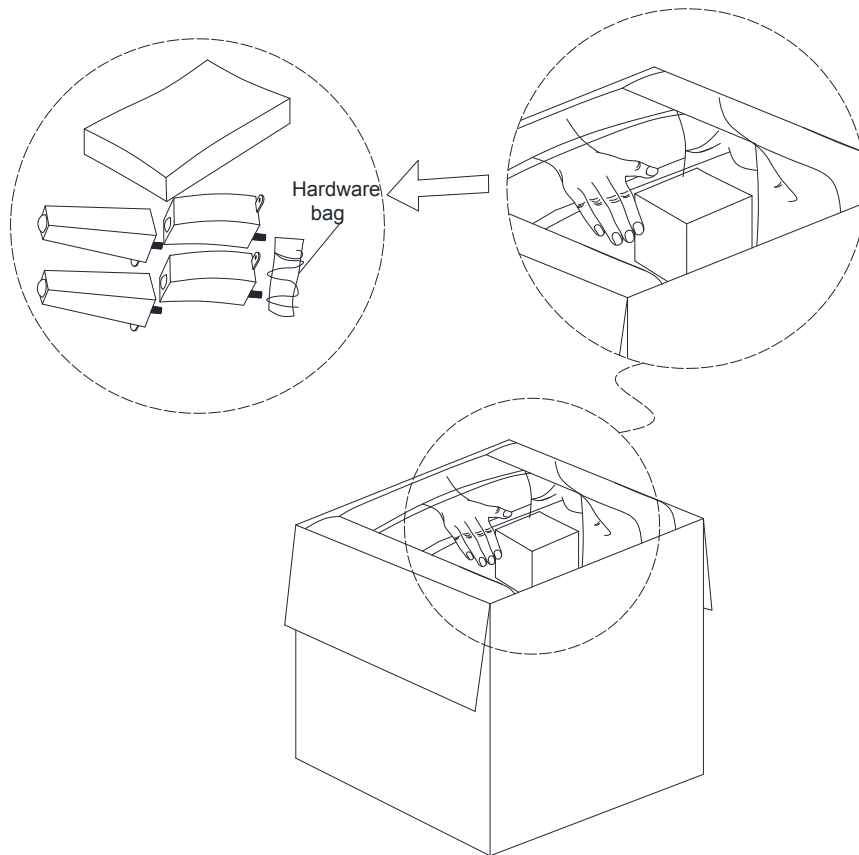
①	X1	②	X1	③	X1		
							
Bolt 5/16*30mm		Flat Washer 5/16*18mm		Spring Washer 5/16			

Be sure to inspect all packing material carefully for small parts, that may have come loose inside the carton during shipment.

# ASSEMBLY

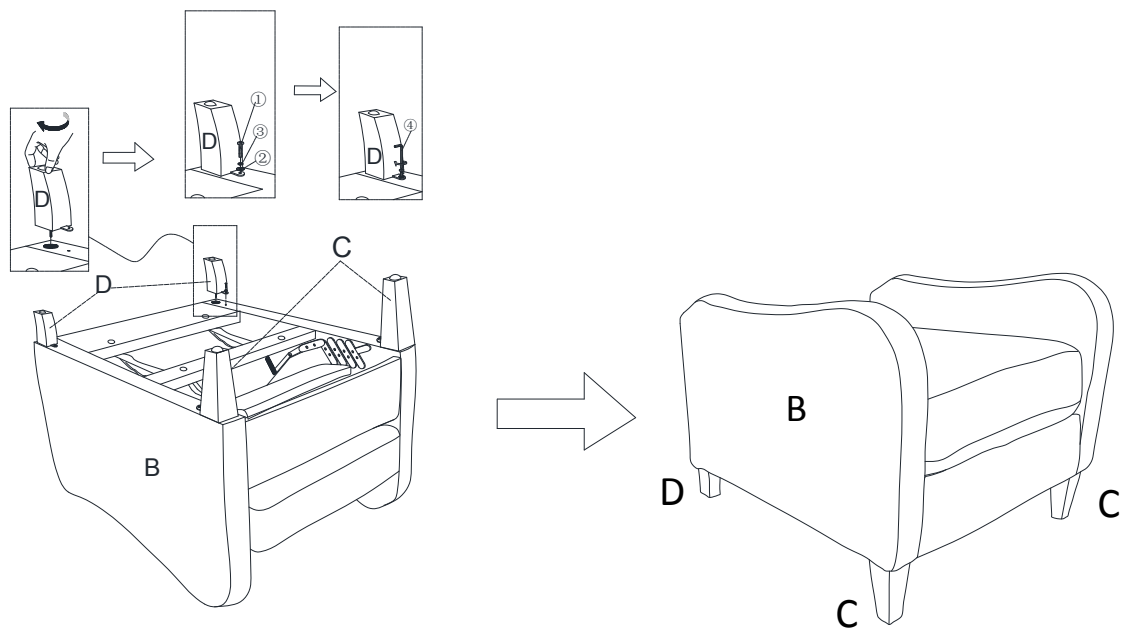
## INSTRUCTIONS

### STEP 1



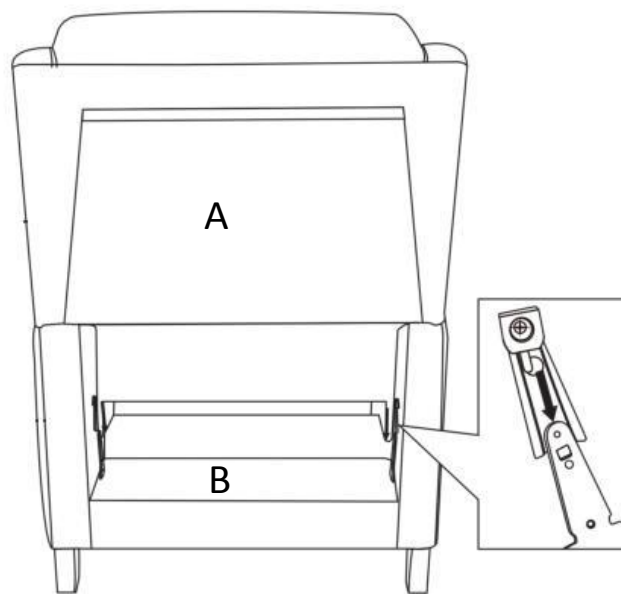
1. Open the packing box , and then take out the small box , the small box have hardware bag and legs.

## STEP 2



2.Screw leg (D) into the corresponding hole of seat cushion(B) by hand , and then aline the bolt of leg with the hole of seat cushion , use screw① 、 spring washer ③and plat washer②to attach them as picture show , tighten screw① with allen key④ , the installation method of leg(C) is the same as the leg(D).

### STEP 3



3. Attach the back cushion (A) to the seat cushion (B) by sliding the receivers into the mechanism posts located on the seat cushion (B). From the back of the recliner, press down on both sides of the back cushion (A) to firmly secure, make sure the back (A) is inserted horizontally into the seat cushion (B). The back cushion (A) and seat cushion (B) will automatically lock into place. Then pull the back flap down tightly and attach the back flap to the bottom of the seat cushion (B).

## **WARRANTY**

We strive to offer high-quality products, and we also try our best to satisfy each and every customer that orders from us with product or service as needed. We provide 30 days warranty starting from the time you receive the item. Each customer must provide a record of their order such as the order number, or item receipt for any items that are out of the warranty period you may also still receive replacement parts by purchasing them with our company if they are available.