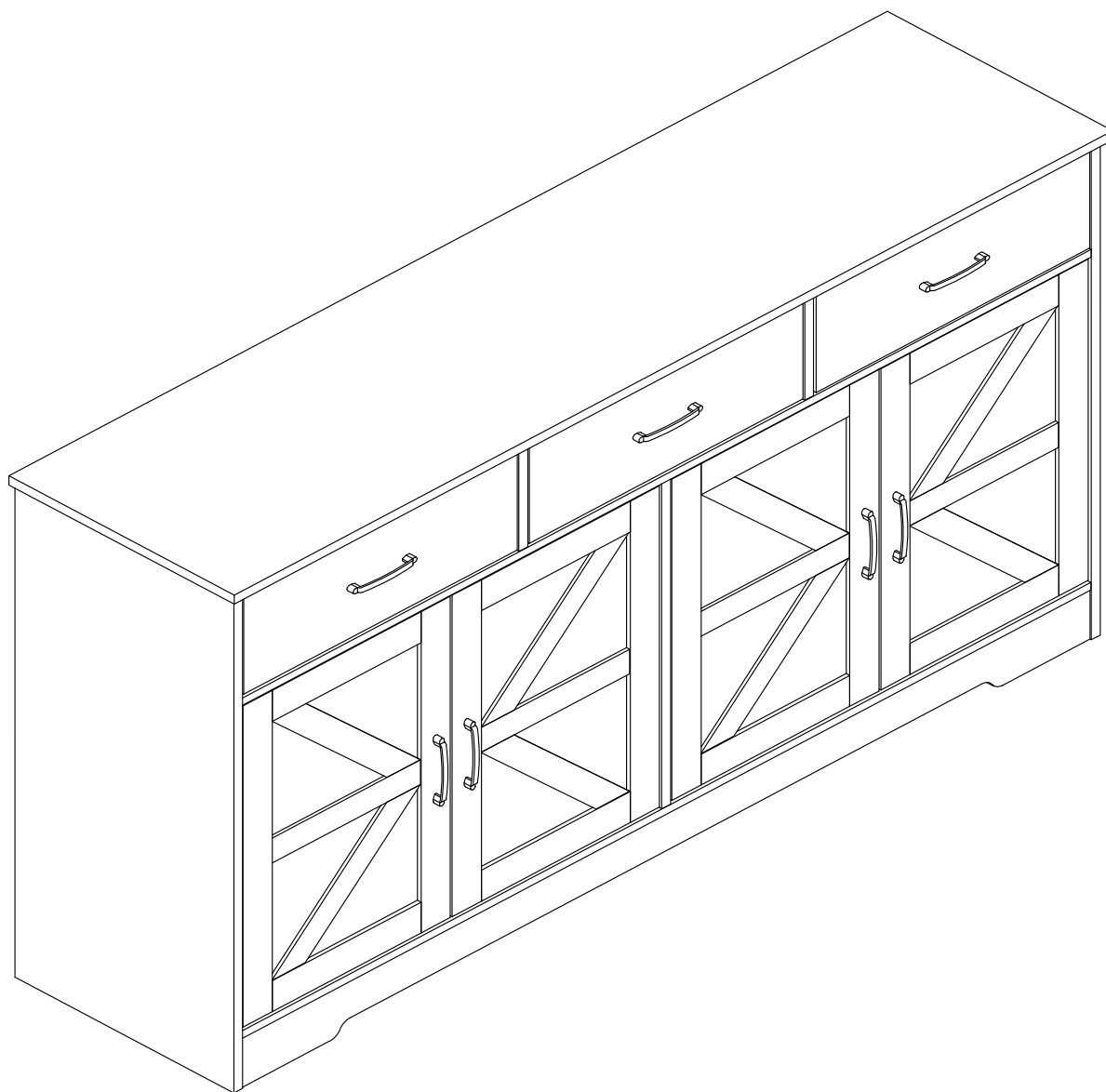


Instruction Manual



HOS-PB-322

HOS-PB-323

HOS-PB-324

HOS-PB-325 (V1.0)

Cabinet

EN

Thank you for purchase on our products. Please contact us if you have difficulty with assembly or need replacement parts. Our customer service is here to assist you. Please attach your User Name or Order ID so that we can assist you better.

WARNING

Serious or fatal injury may occur from unexpected assembly or use.

1. During the assembly process, keep all parts away from babies or children.
2. Always securely fix this product to the wall. Make sure the wall area to be drilled is free from hidden electrical wires, water and gas pipes.
3. Use of tip-over restraints may only reduce, but not eliminate the risk of tip-over.
4. Unless specially designed to accommodate, do not set heavy objects on top of this product.
5. Place the heaviest items on the lowest shelf.
6. Never allow children to climb or bang on drawers, doors or shelves.

DE

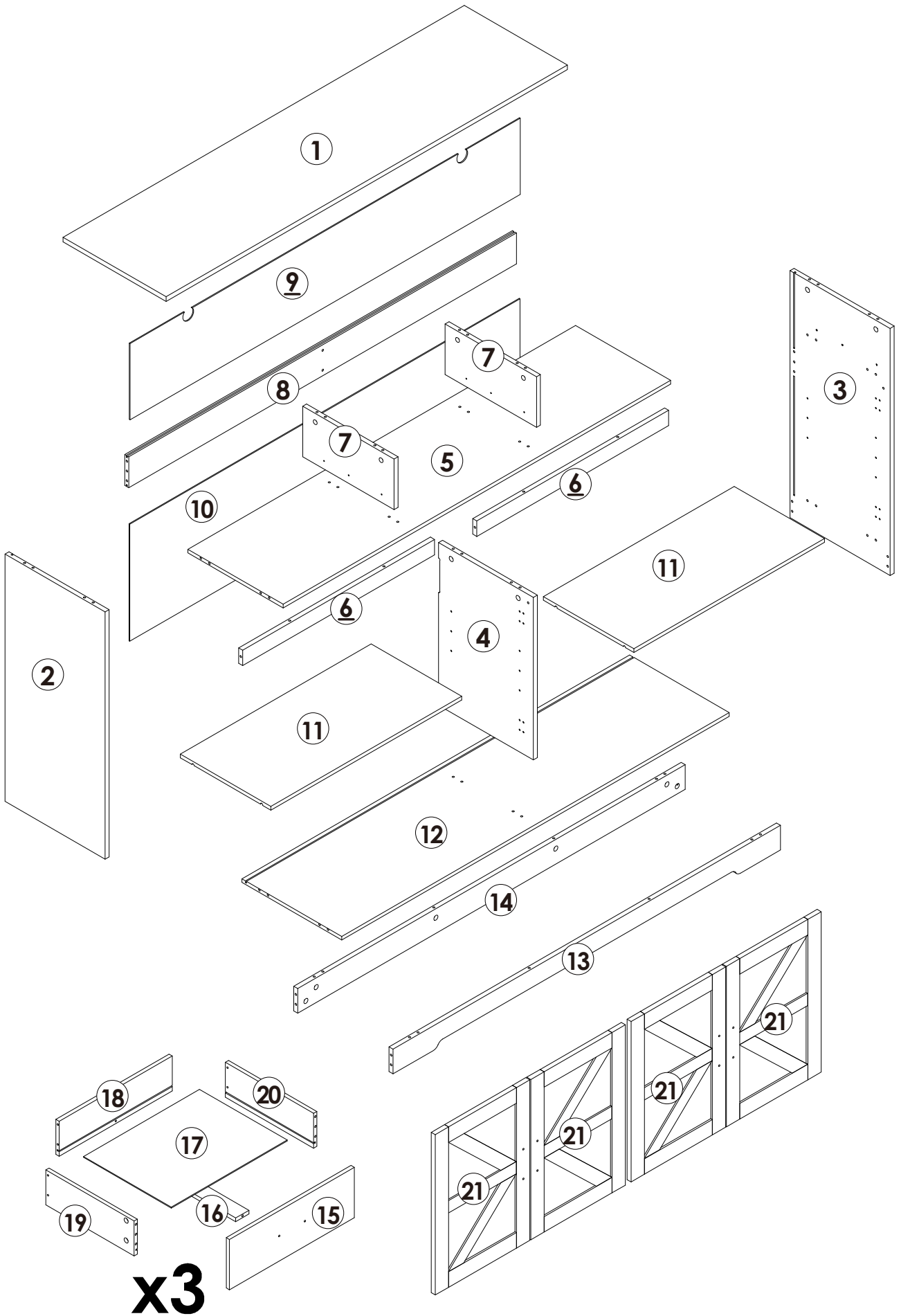
Vielen Dank für Ihren Kauf von uns Produkten. Bitte kontaktieren Sie uns, wenn Sie Probleme mit Montage haben oder Ersatzteile benötigen. Wir Kundenservice ist für Sie da. Bitte geben Sie Ihren Benutzernamen oder Ihre Bestellnummer an, damit wir Sie besser unterstützen können.

WARNUNG





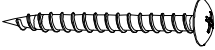

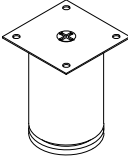
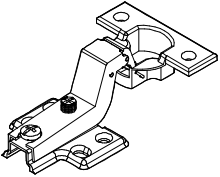
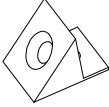
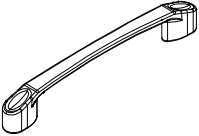

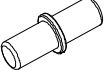
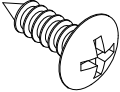
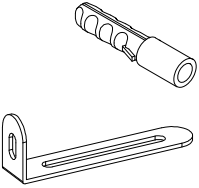
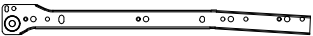
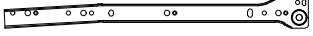
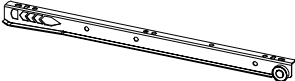
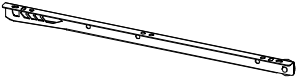
Bei unerwarteter Montage oder Verwendung können schwere oder tödliche Verletzung auftreten.

1. Legen Sie in den Montageprozess alle Teile weg von Babys oder Kindern.
2. Stellen Sie sicher, dass der gebohrte Wandbereich frei von verborgenen Stromkabeln, Wasser- und Gasleitungen ist, wenn Sie dieses Produkt an der Wand befestigen.
3. Die Verwendung von Kippsicherungen kann die Gefahr eines Kippens nur verringern, jedoch nicht beseitigen.
4. Setzen Sie bitte keine schweren Gegenstände auf dieses Produkt, es sei denn, dass das Produkt speziell für die Unterbringung konzipiert wird.
5. Legen Sie bitte die schwersten Gegenstände auf das unterste Regal.
6. Erlauben Sie nie Kindern, auf Schubladen, Türen oder Regale zu klettern oder zu knallen.

Parts List(EN) / Teile Liste(DE)

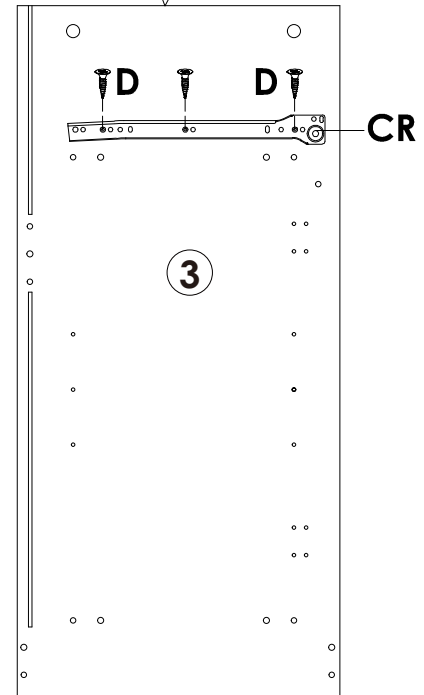
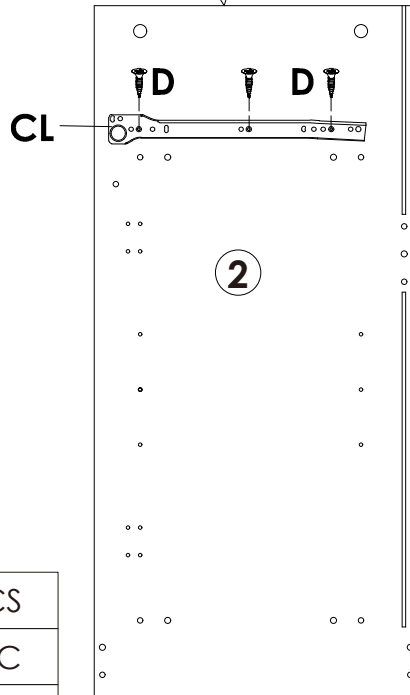
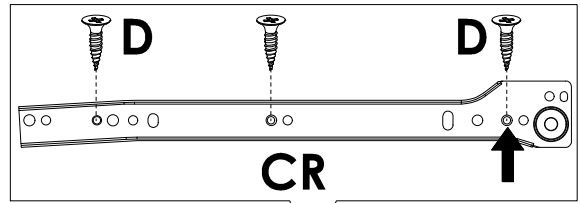
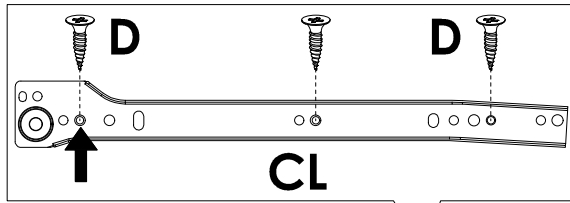



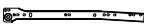

Parts List(EN) / Teile Liste(DE)

A 	B 	C 	D 
M6×32mm 57+2PCS	Ø15×9.5mm 57+2PCS	Ø6×30mm 41+2PCS	M3.5×14mm 44+2PCS
E 	F 	G 	H 
M4×40mm 24+2PCS	M4×14mm 48+2PCS	L77mm 1PC	8PCS
I 	J 	K 	L 
8+1PCS	7PCS	M4×18mm 14+1PCS	Ø5×17mm 8+1PCS
M 	N 		
M3.5×12mm 6PCS	2SETS		
CL 	CR 	DL 	DR 
L300mm 3PCS	L300mm 3PCS	L300mm 3PCS	L300mm 3PCS

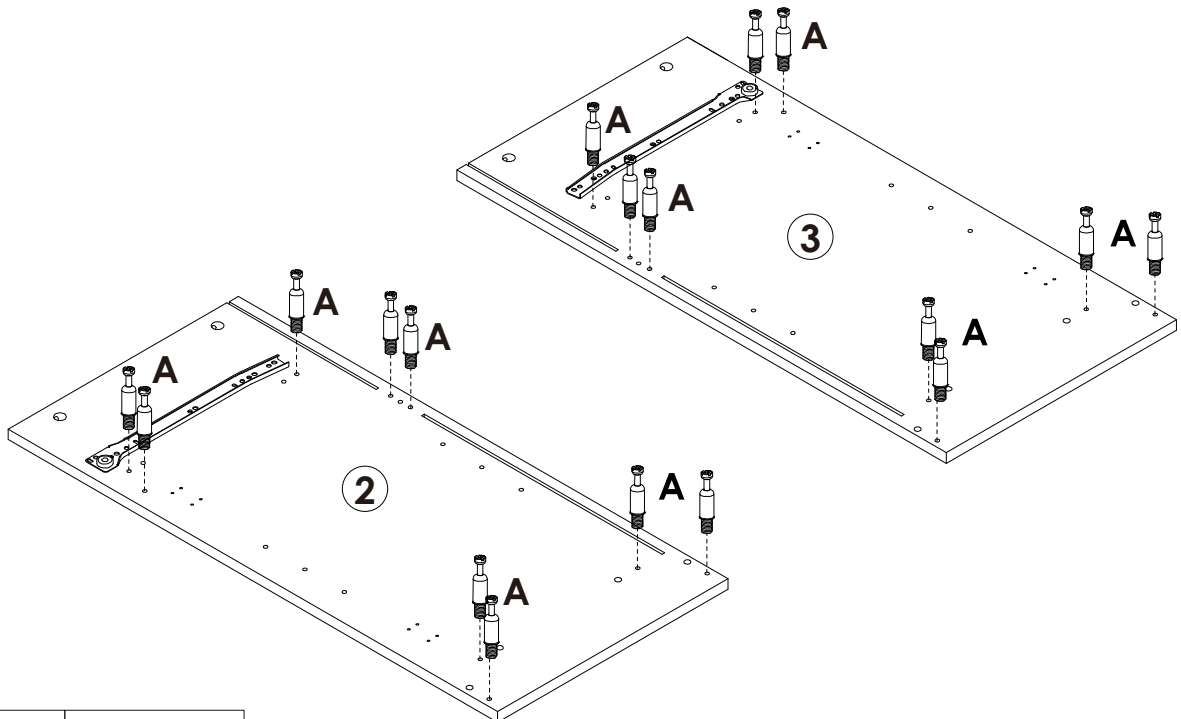
Assembly Steps(EN) / Montageschritte(DE)

STEP 1



	D x 6PCS
	CL x 1PC
	CR x 1PC

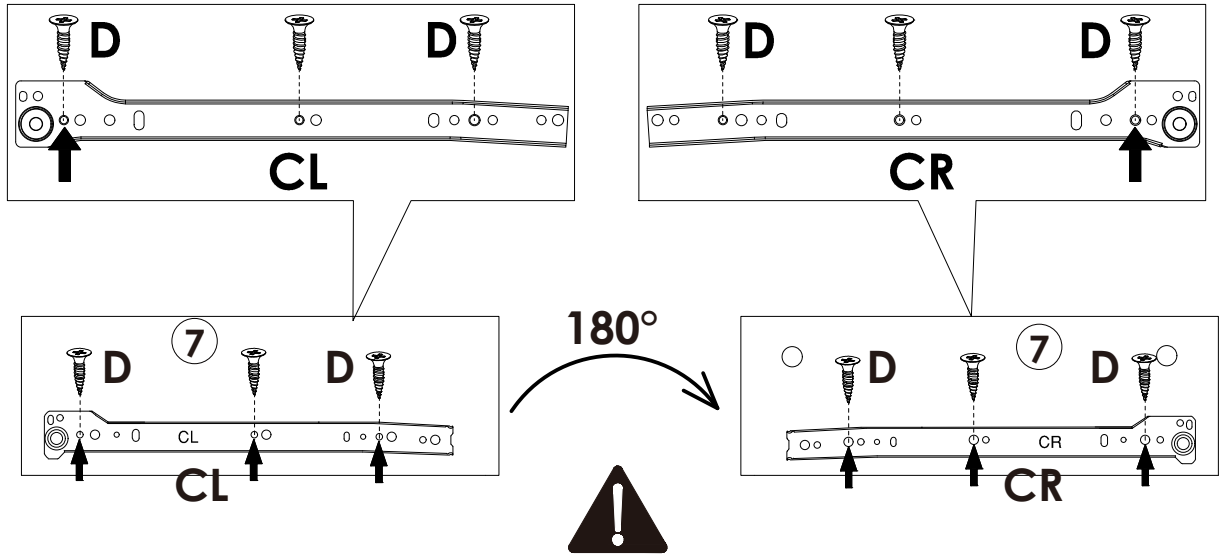
STEP 2



	A x 18PCS
---	------------------


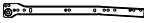
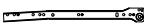
Assembly Steps(EN) / Montageschritte(DE)

STEP 3

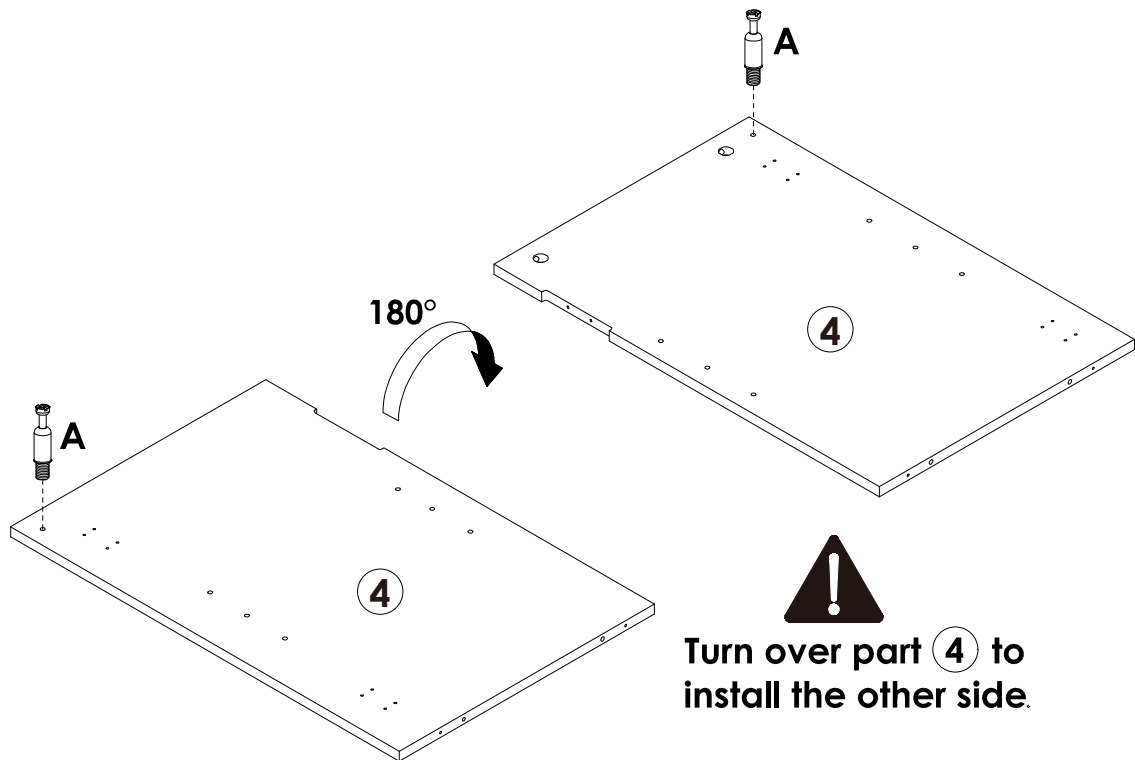


Turn over part ⑦ to install the other side.

x2

	D x 12PCS
	CL x 2PCS
	CR x 2PCS

STEP 4

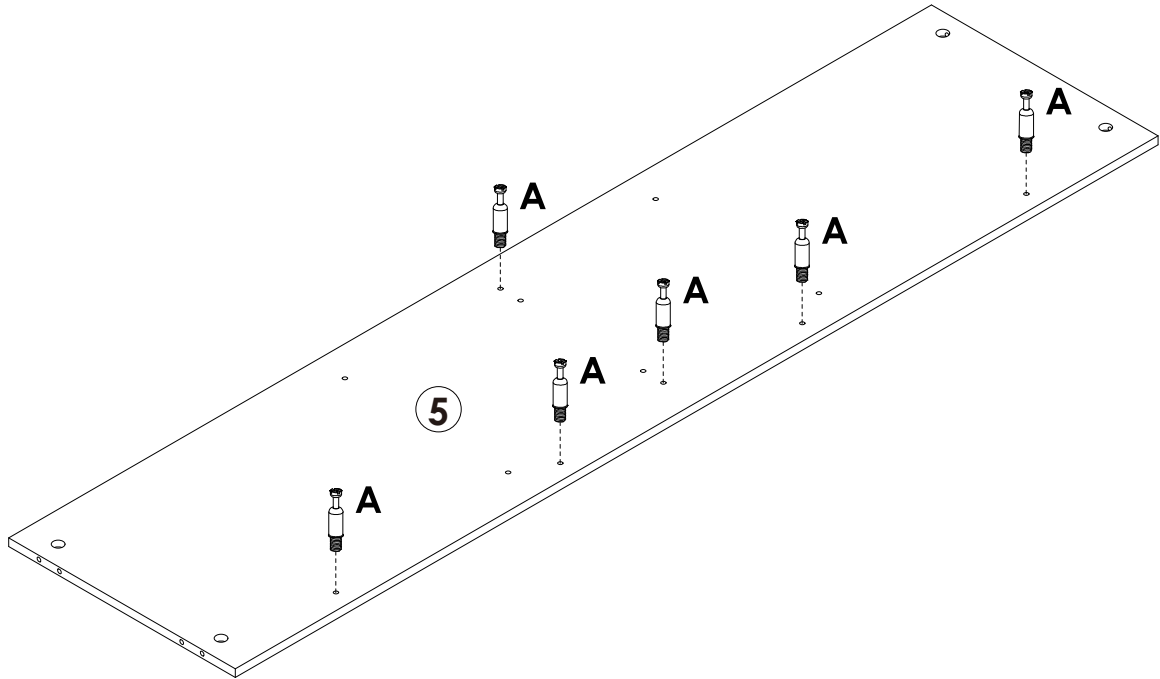


Turn over part ④ to install the other side.

	A x 2PCS
---	----------

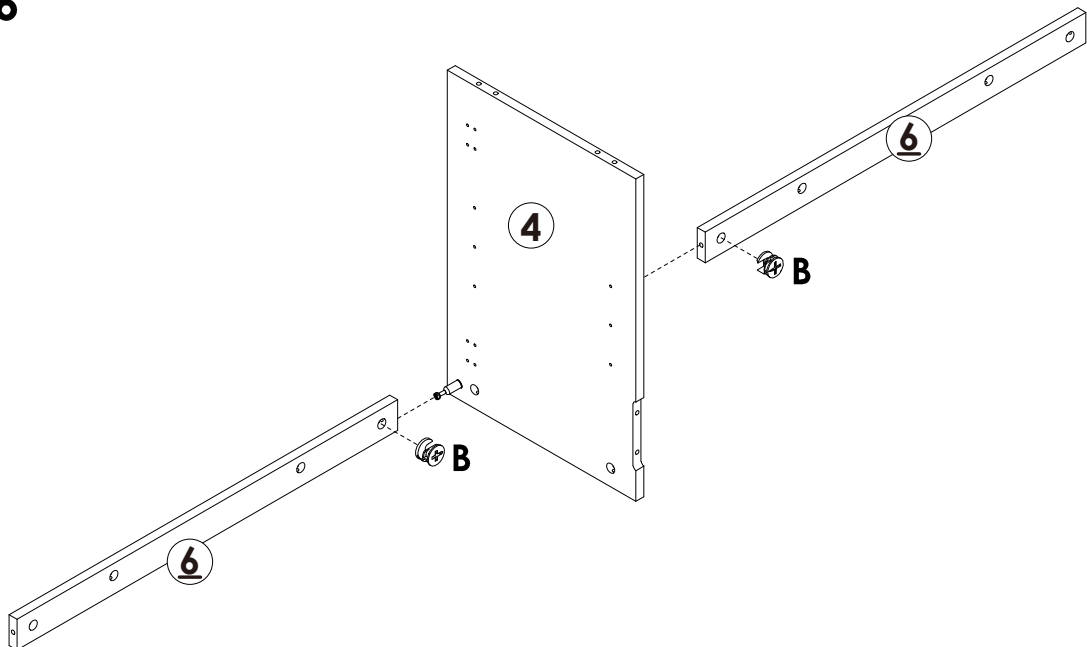
Assembly Steps(EN) / Montageschritte(DE)


STEP 5

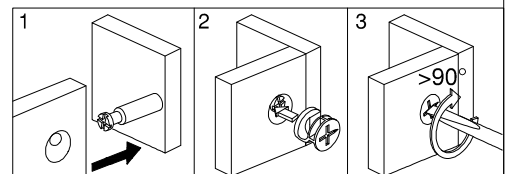


 A x 6PCS

STEP 6



 B x 2PCS

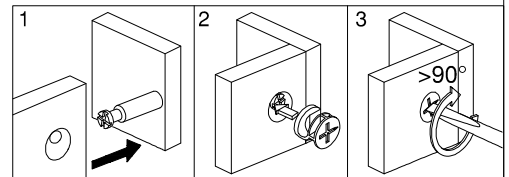
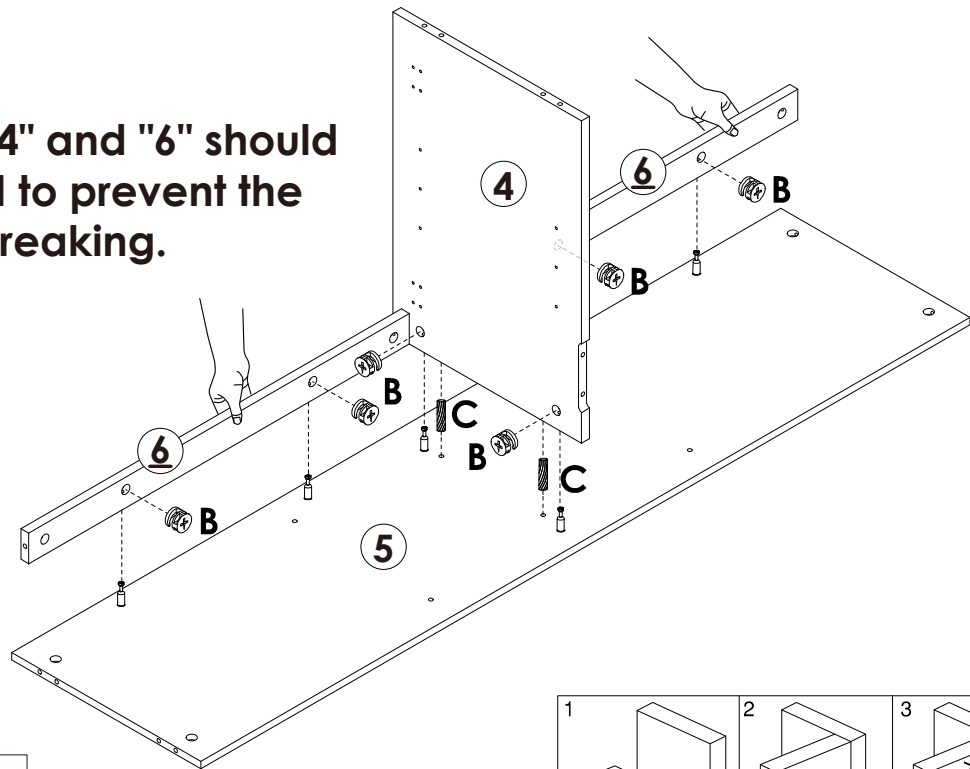




Assembly Steps(EN) / Montageschritte(DE)

STEP 7

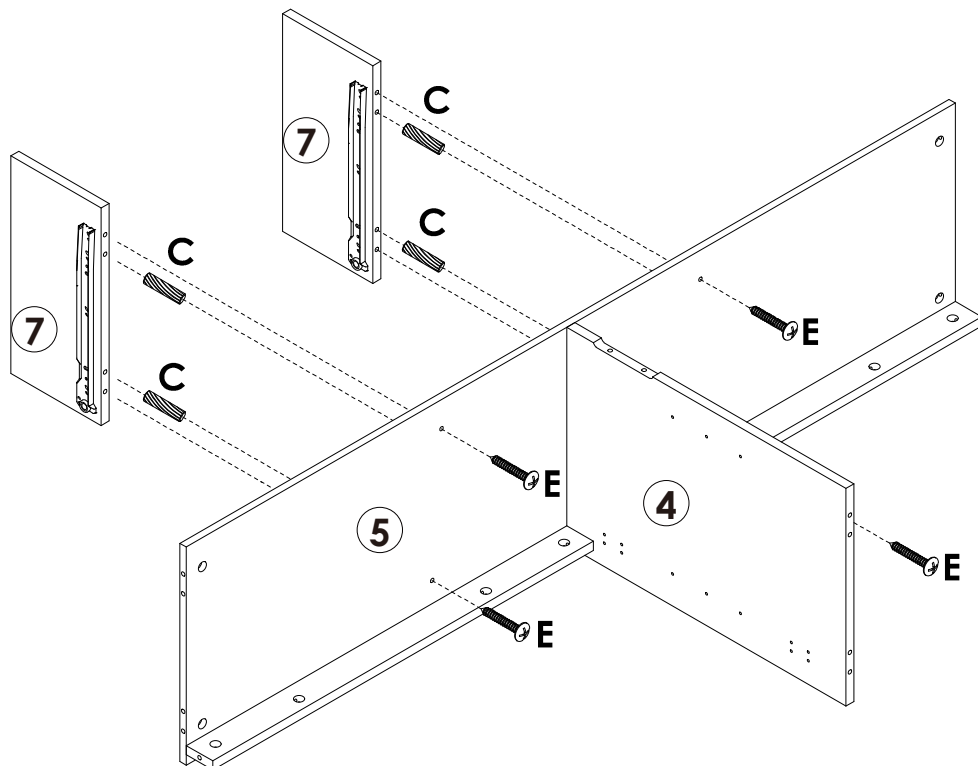



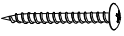
Notes: Parts "4" and "6" should keep aligned to prevent the board from breaking.



	B x 6PCS
	C x 2PCS

STEP 8

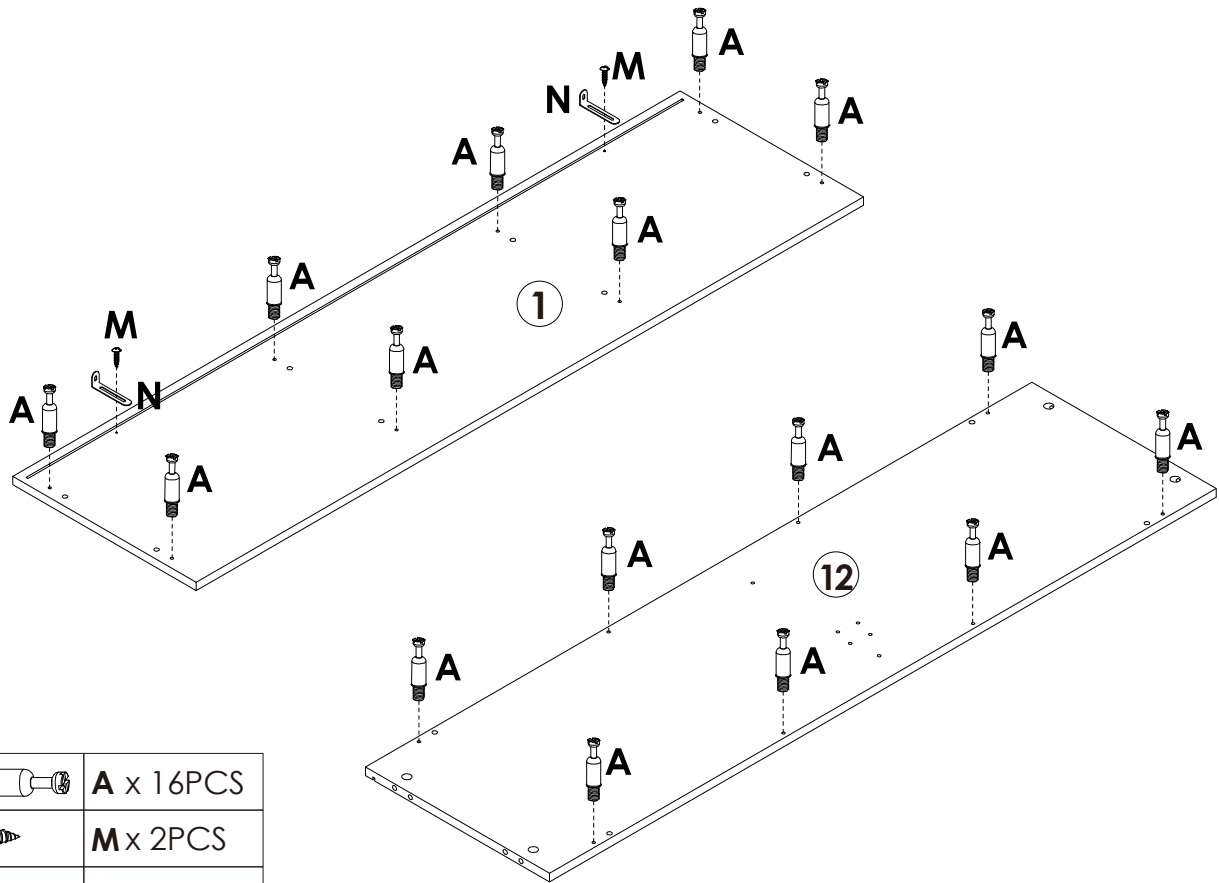


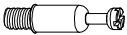


	C x 4PCS
	E x 4PCS

Assembly Steps(EN) / Montageschritte(DE)

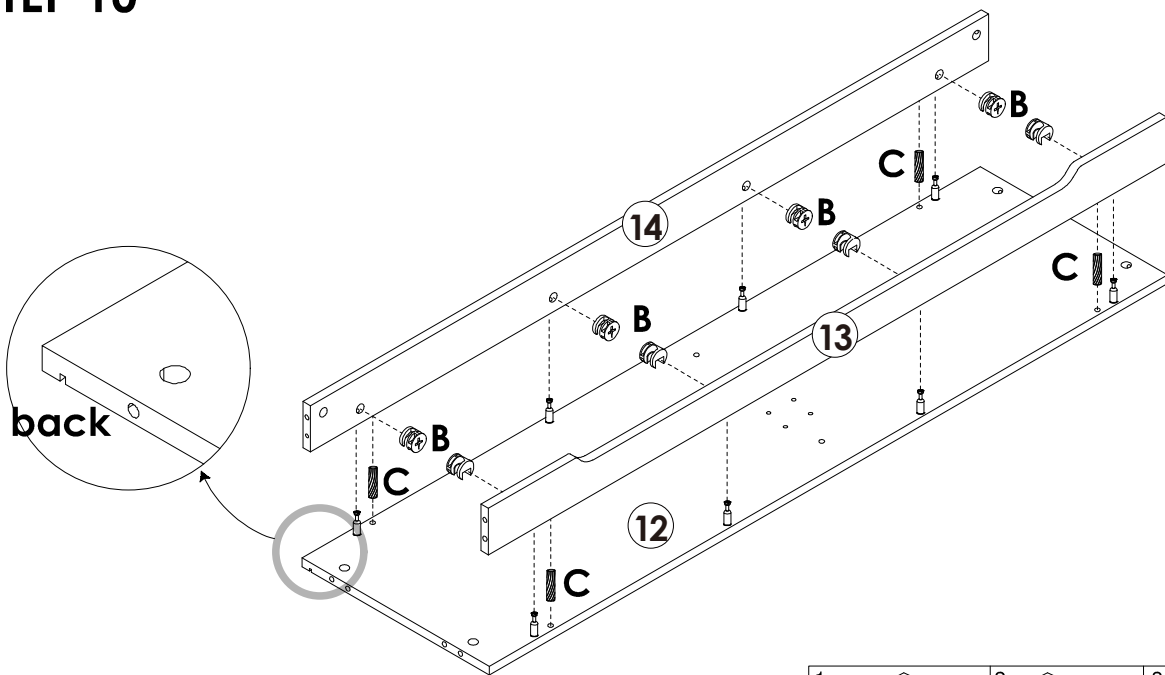
STEP 9



Lock the long side of the "N" L-shaped metal plate to the ① board with the "M" short screw.

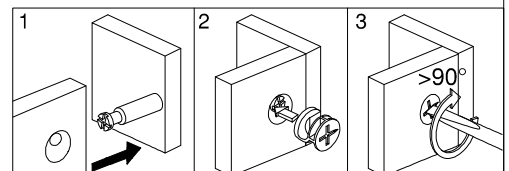


	A x 16PCS
	M x 2PCS
	N x 2PCS

STEP 10

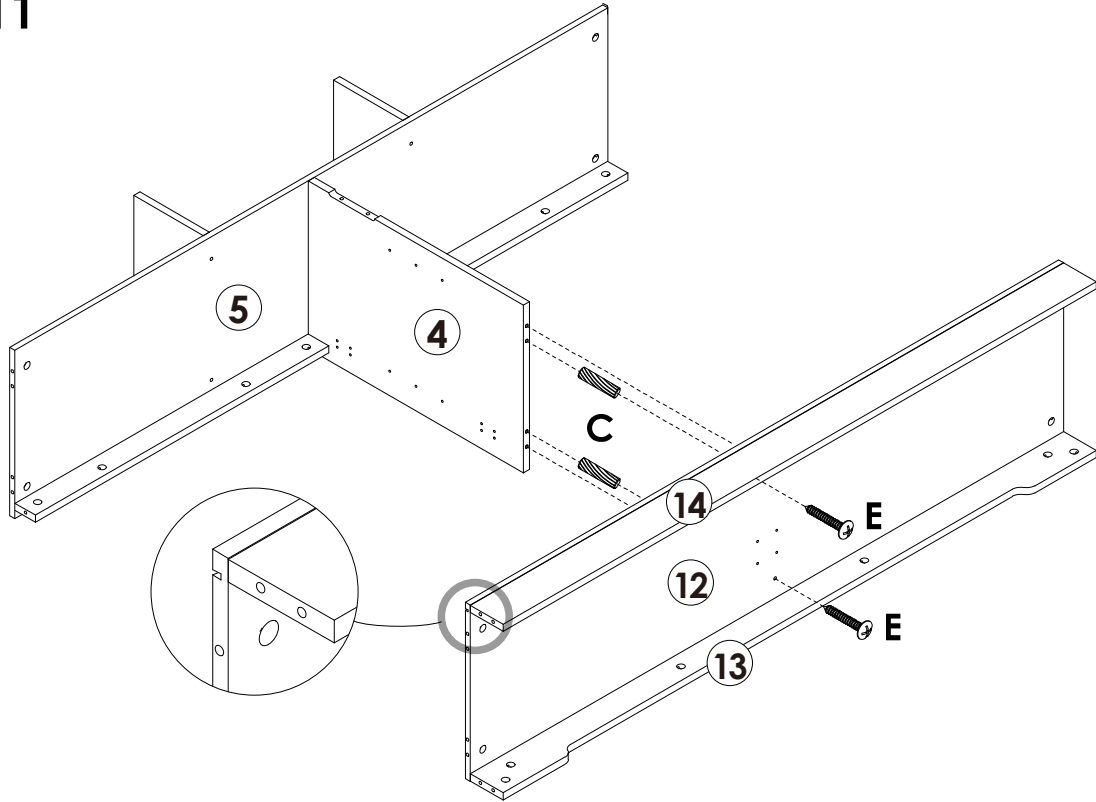



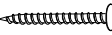
	B x 8PCS
	C x 4PCS



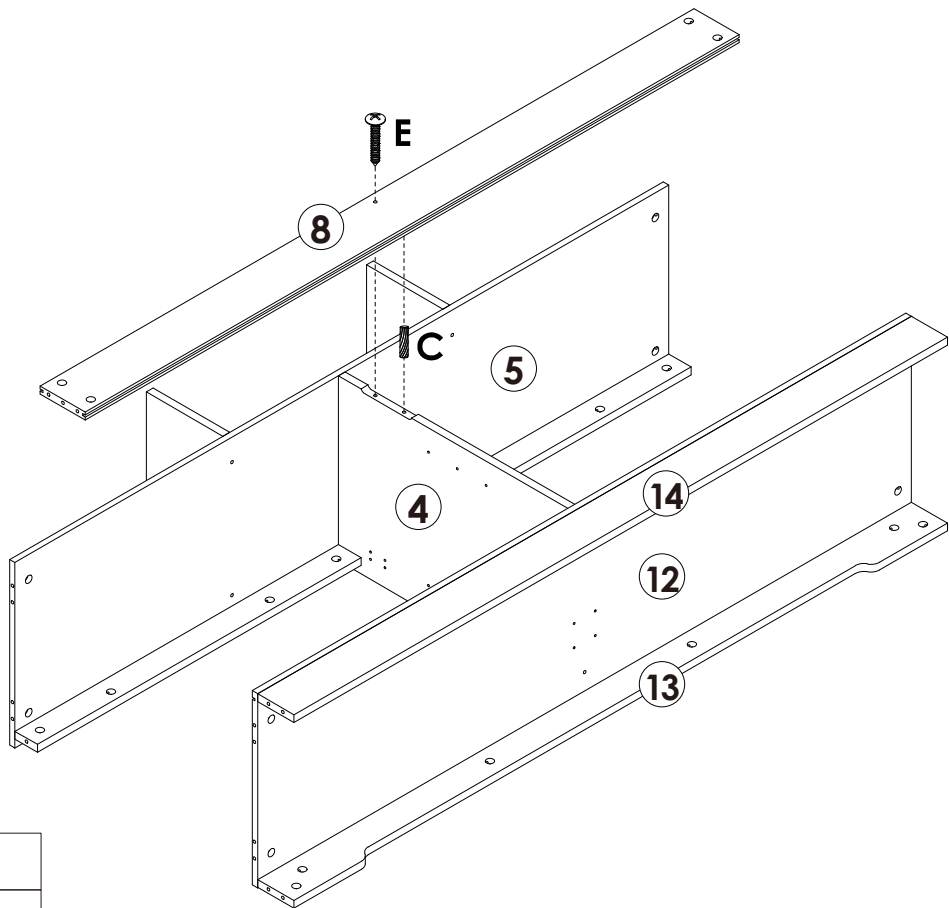
Assembly Steps(EN) / Montageschritte(DE)


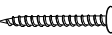
STEP 11



	C x 2PCS
	E x 2PCS

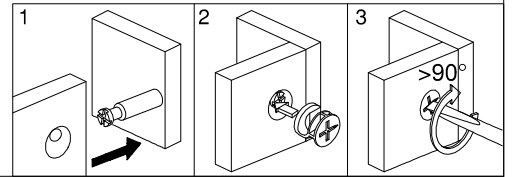
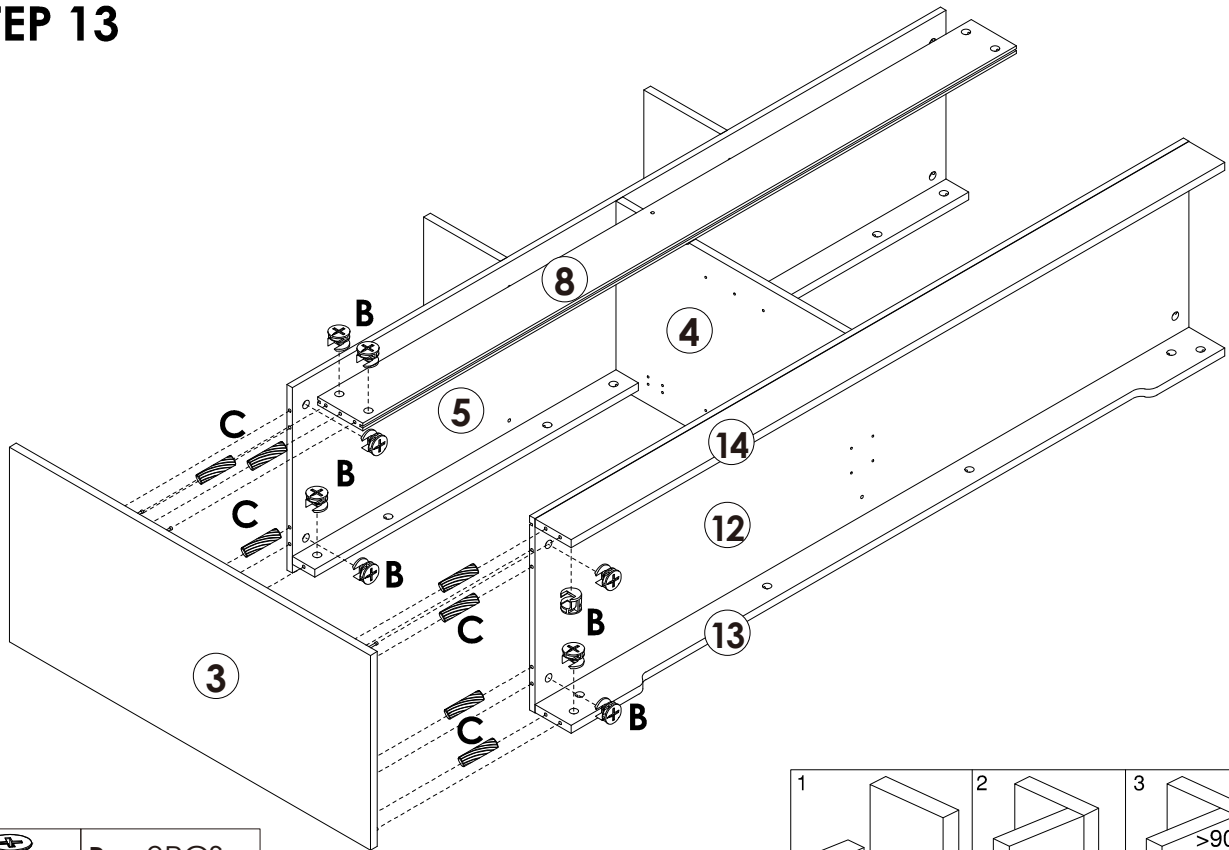
STEP 12





	C x 1PC
	E x 1PC

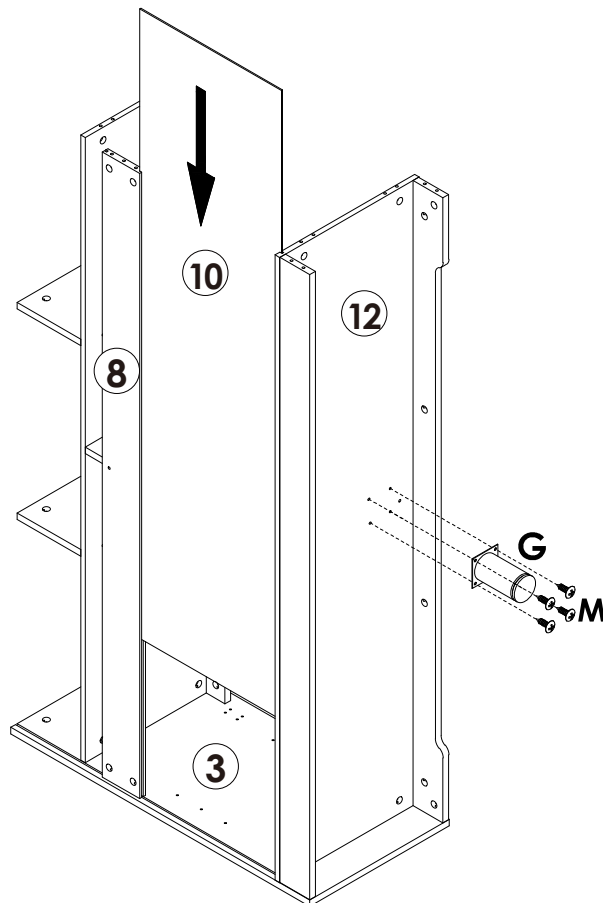
Assembly Steps(EN) / Montageschritte(DE)



STEP 13



	B x 9PCS
	C x 7PCS

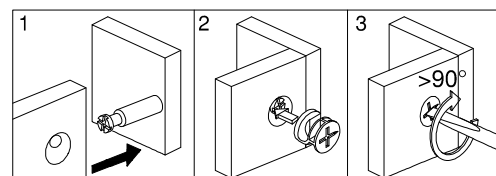
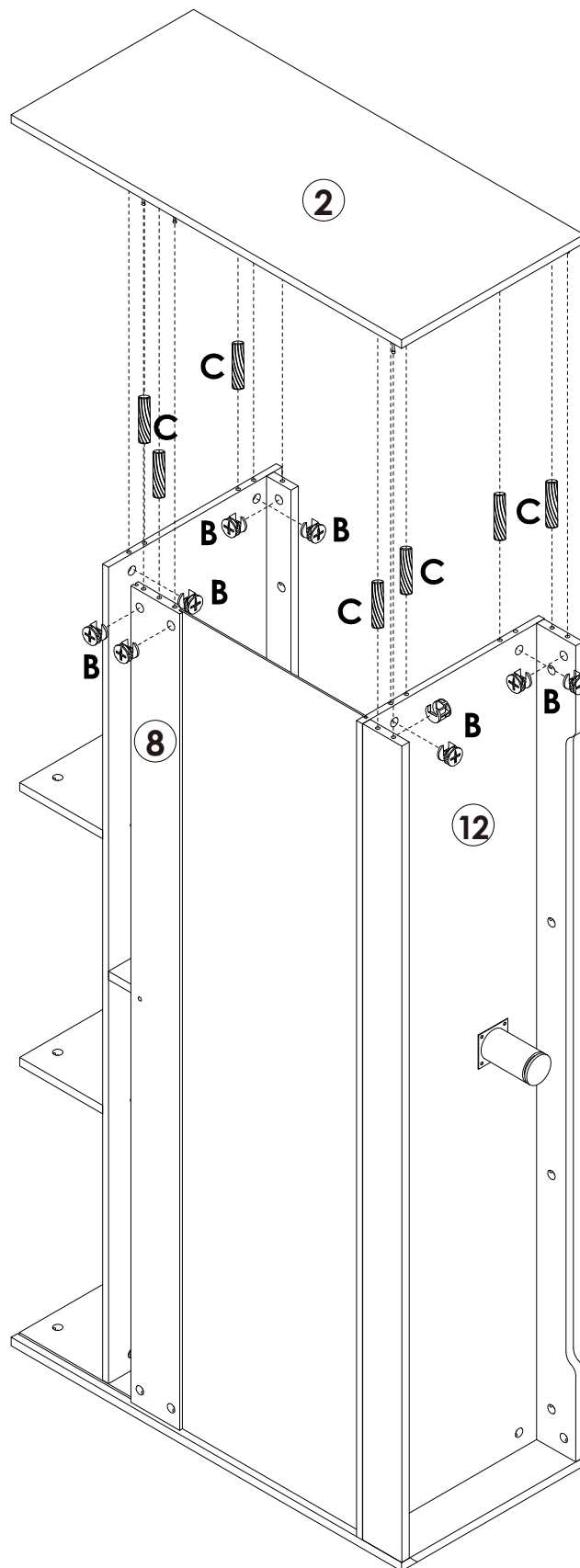
STEP 14





	G x 1PC
	M x 4PCS

Assembly Steps(EN) / Montageschritte(DE)

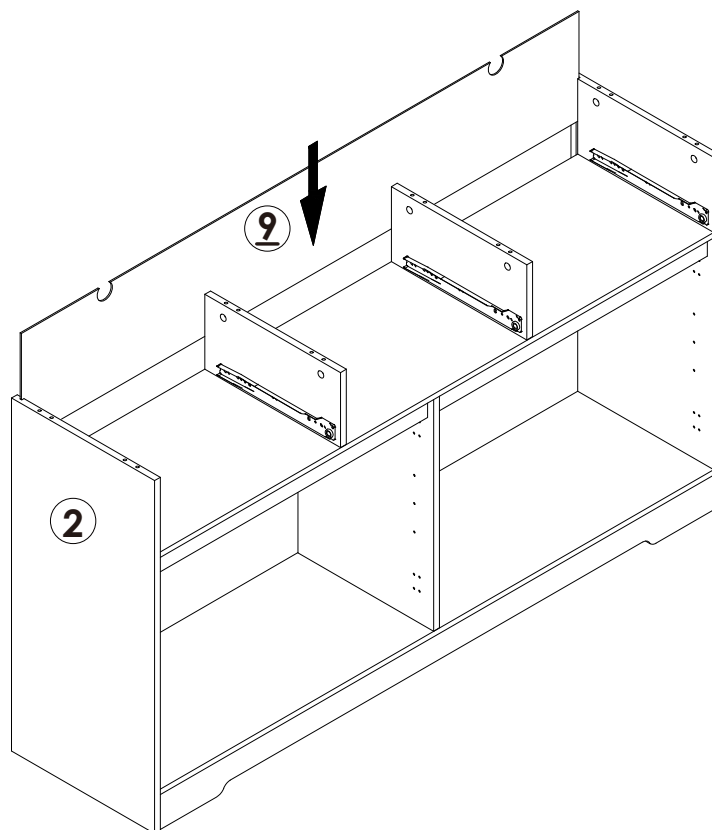
STEP 15



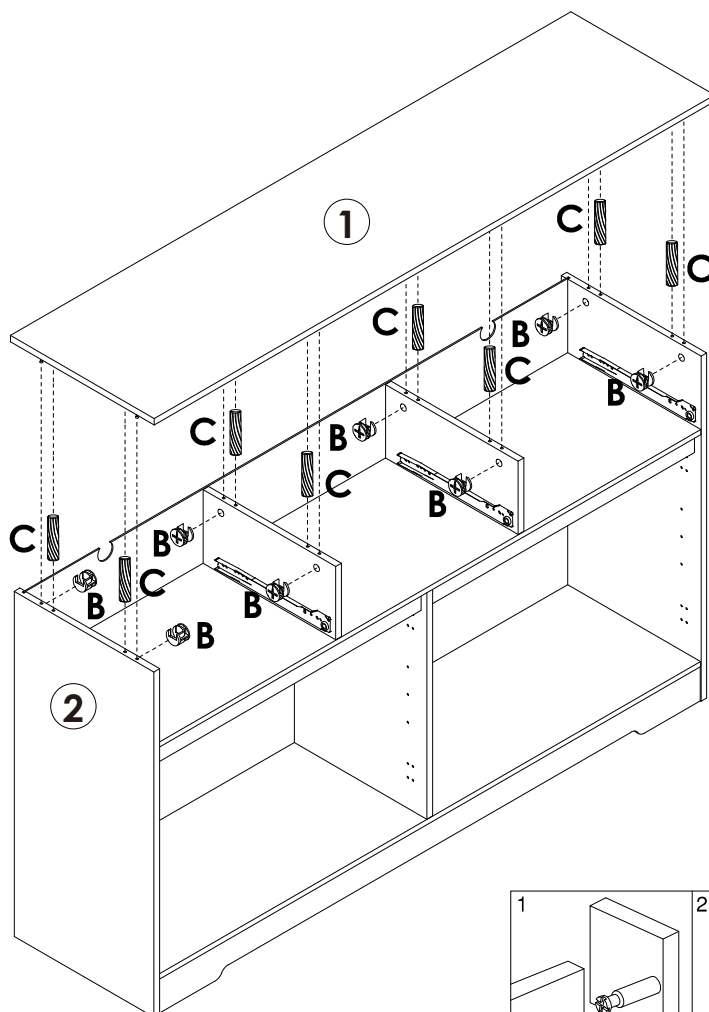
	B x 9PCS
	C x 7PCS



Assembly Steps(EN) / Montageschritte(DE)

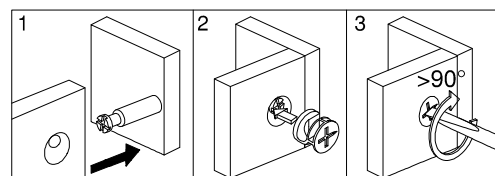
STEP 16



STEP 17

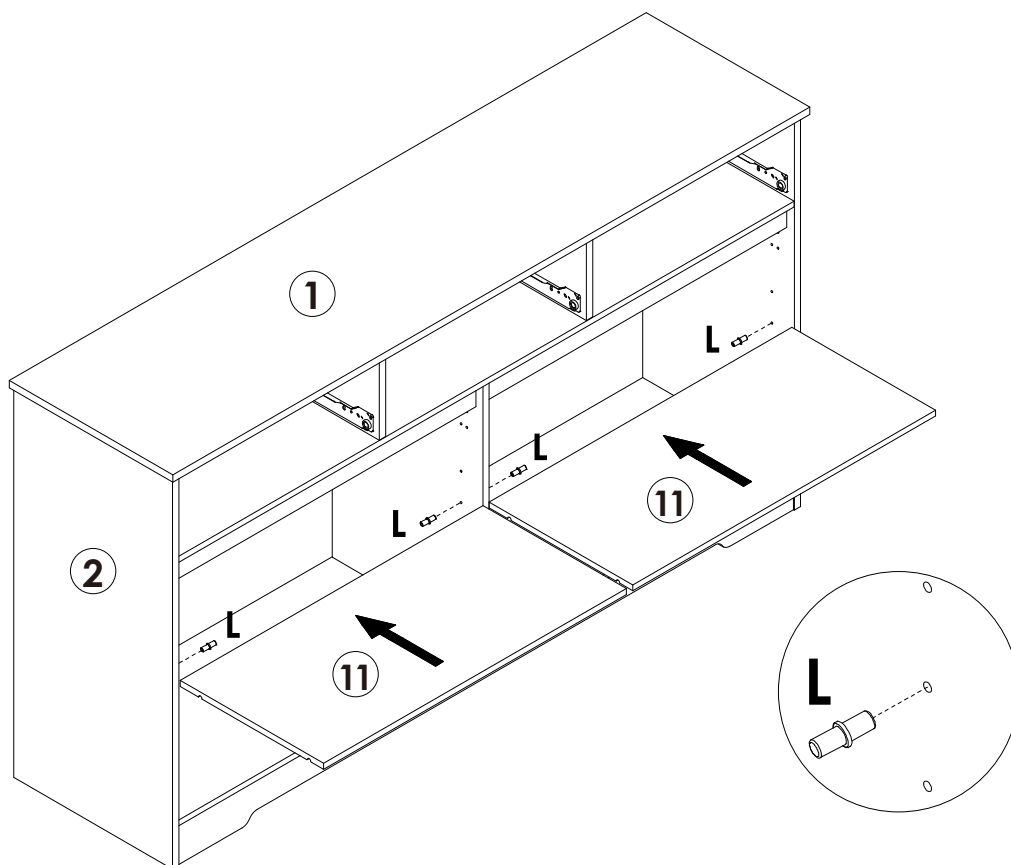


	B x 8PCS
	C x 8PCS



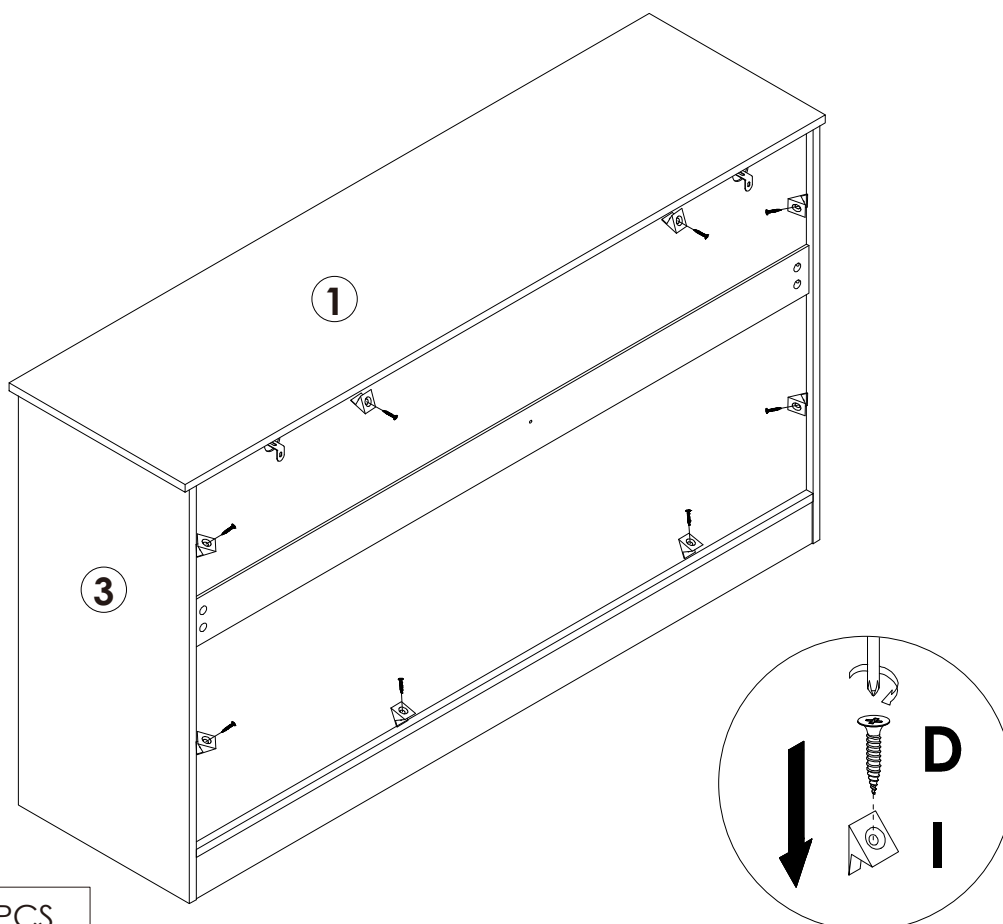
Assembly Steps(EN) / Montageschritte(DE)

STEP 18



L x 8PCS

STEP 19



D x 8PCS

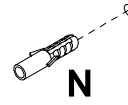
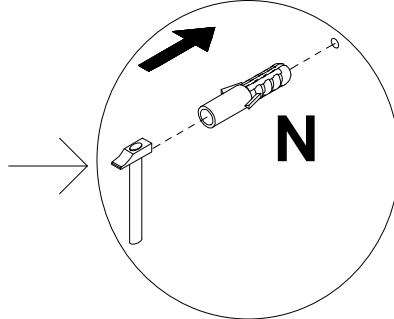
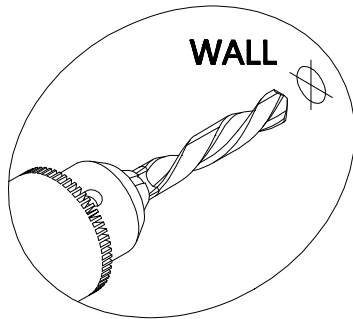


I x 8PCS

Assembly Steps(EN) / Montageschritte(DE)

STEP 20

Drill 2 holes on the wall at the required position for anti-falling device installation.



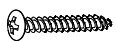
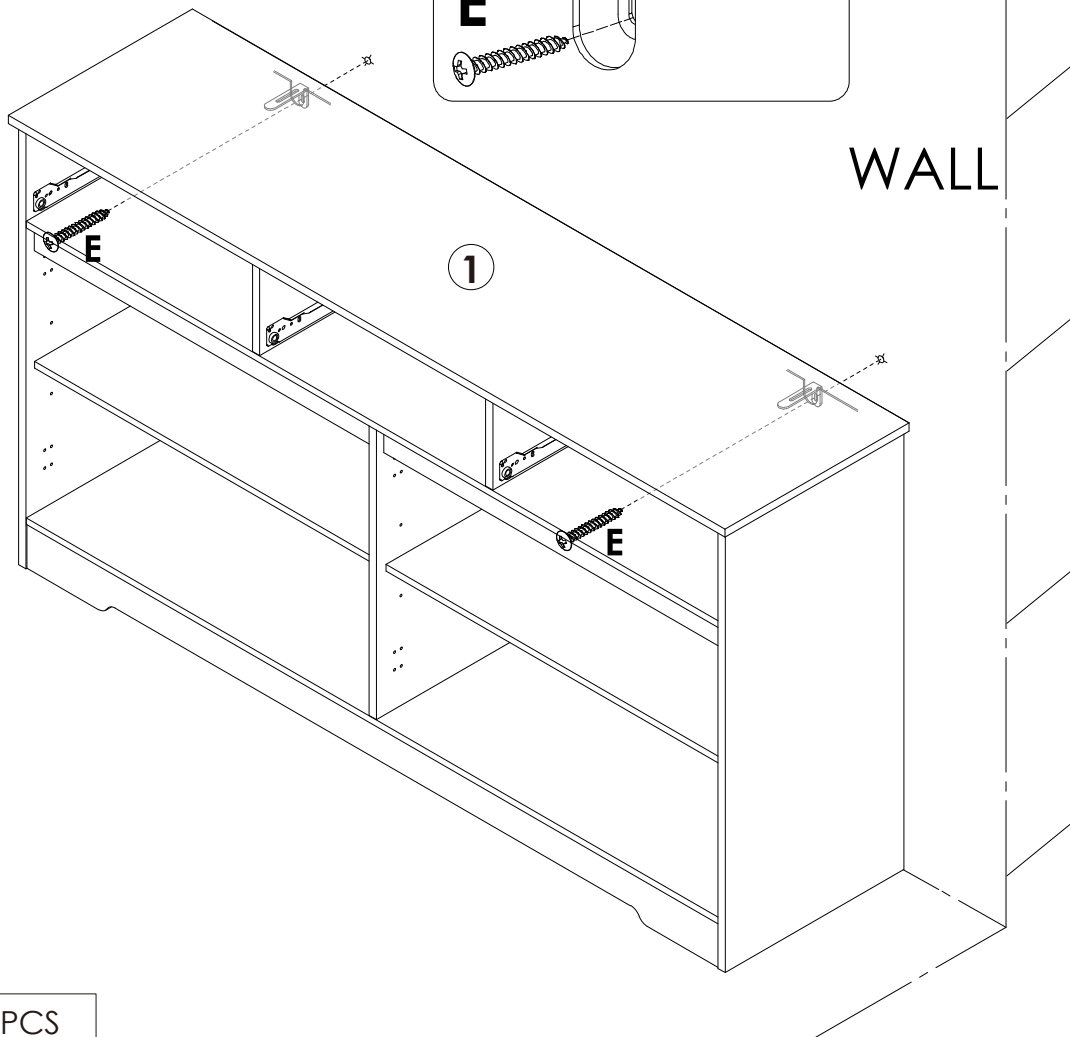
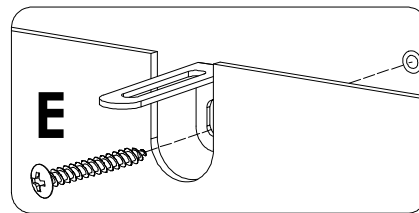
WALL



N x 2PCS

STEP 21

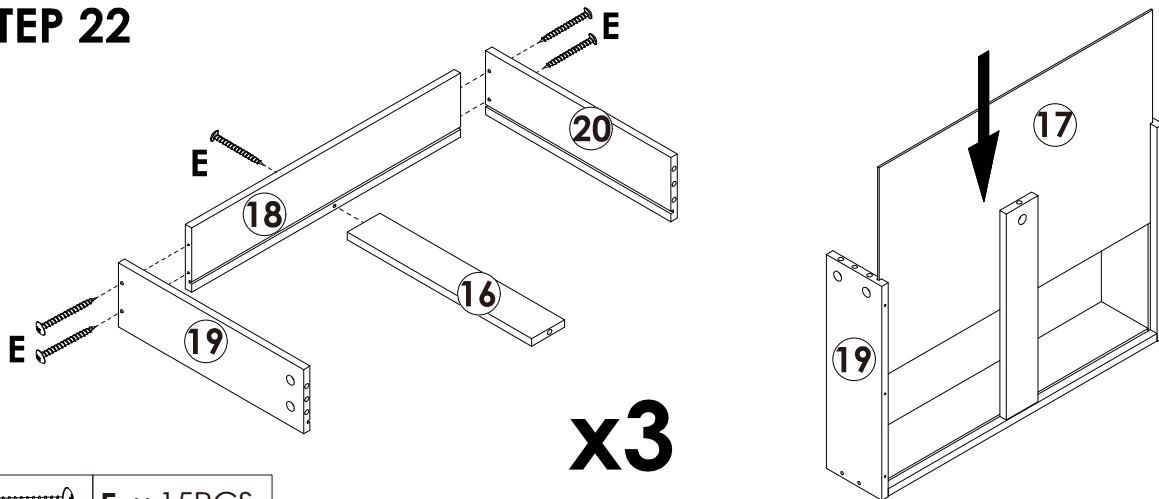
Move the cabinet to the required position, use the "E" long screw to fix the cabinet to the wall.



E x 2PCS

Assembly Steps(EN) / Montageschritte(DE)

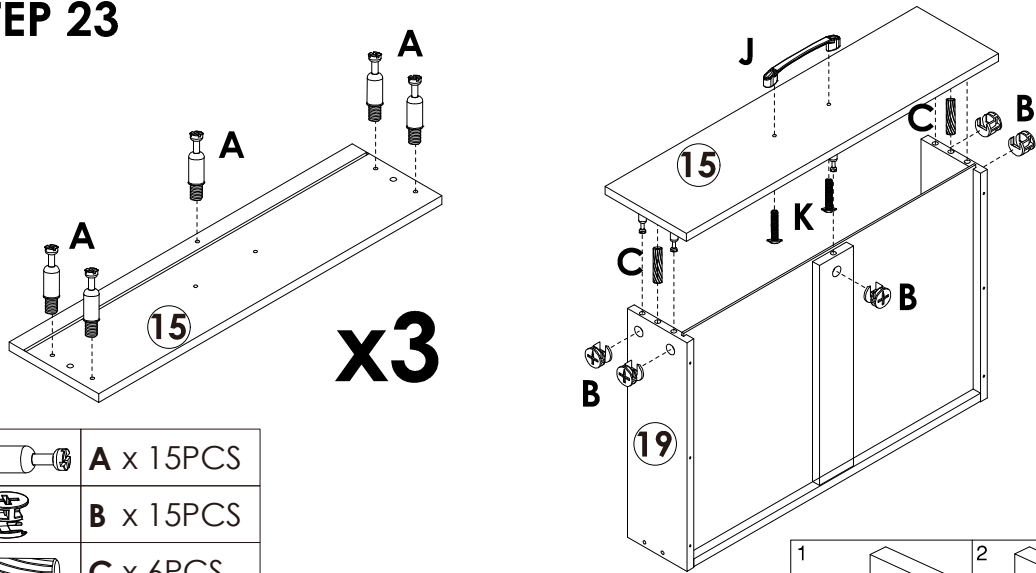
STEP 22



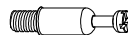




x3

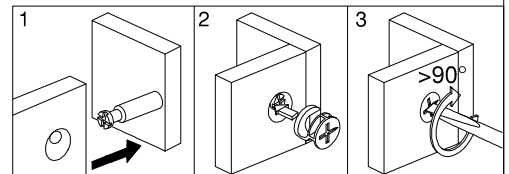
	E x 15PCS
---	-----------

STEP 23

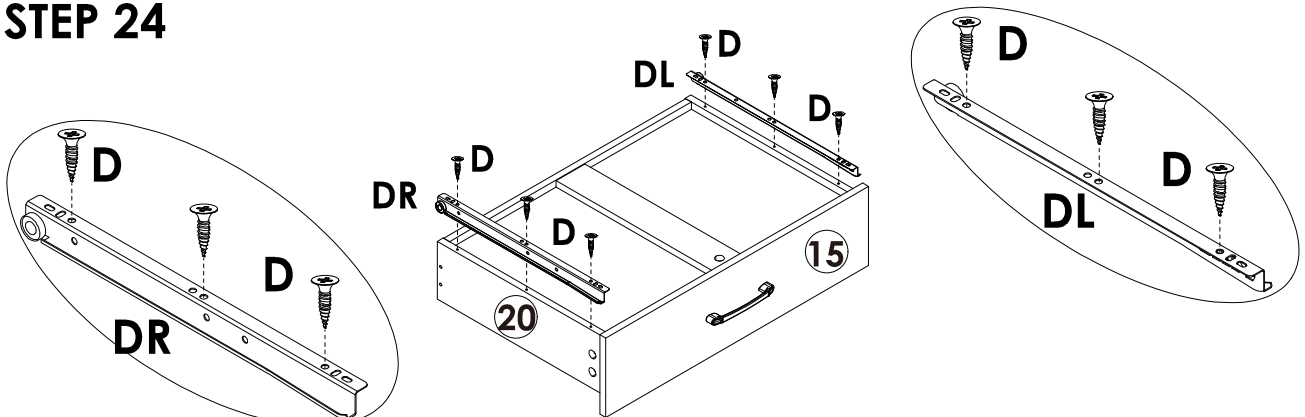


x3

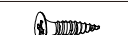


	A x 15PCS
	B x 15PCS
	C x 6PCS
	J x 3PCS
	K x 6PCS



STEP 24

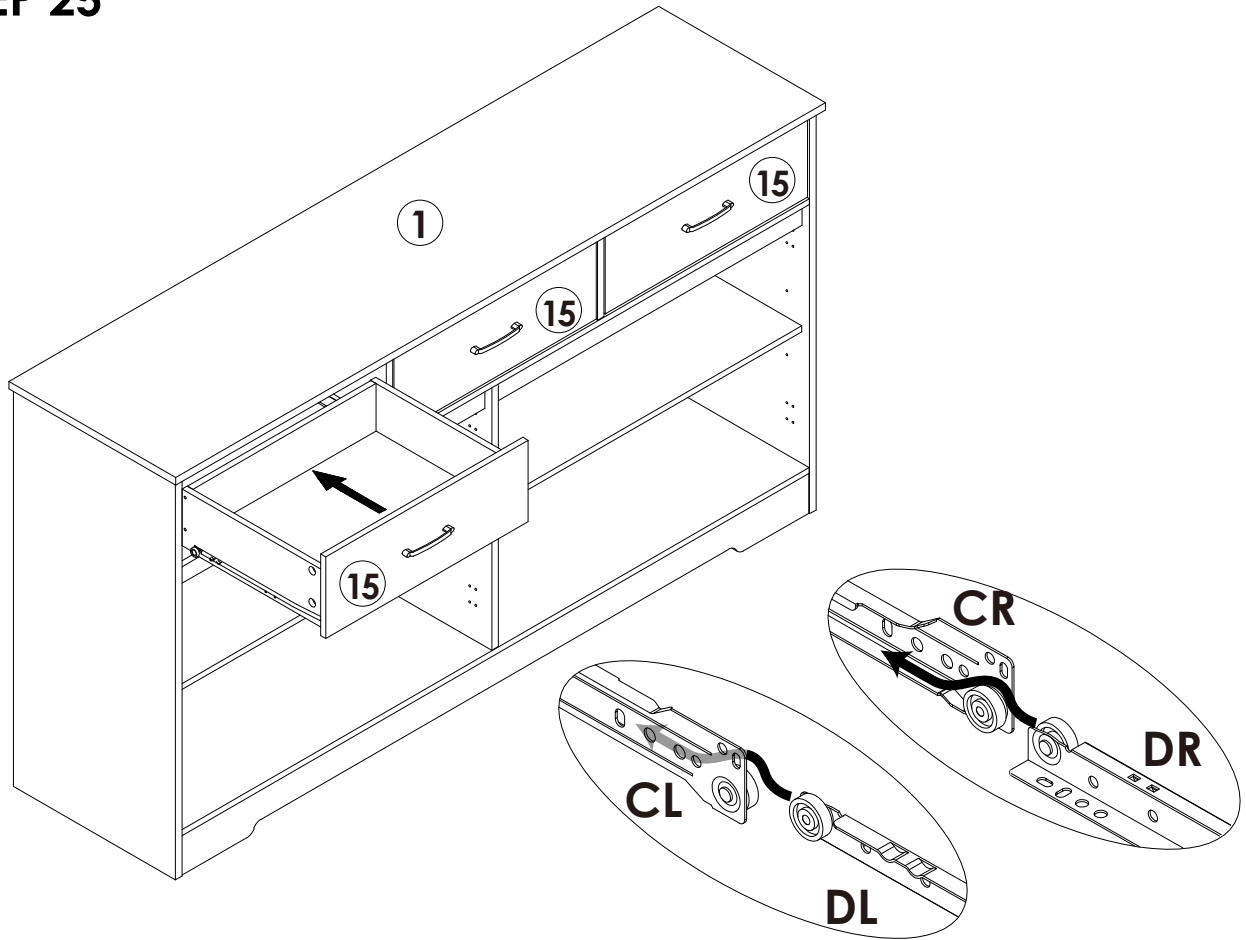


x3

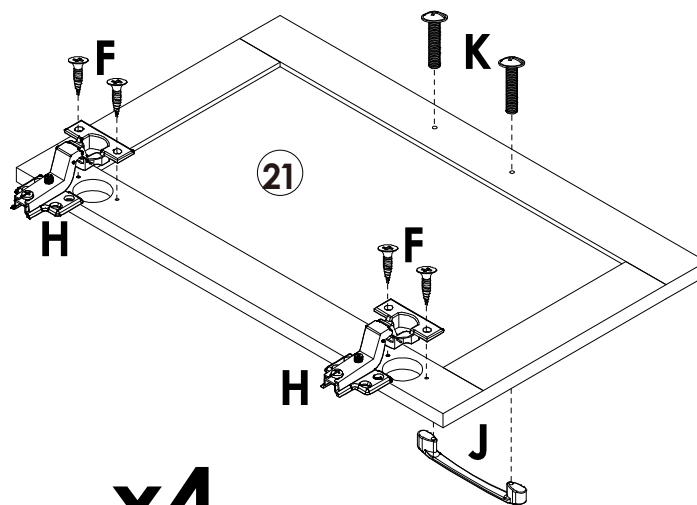
	D x 18PCS
	DL x 3PCS
	DR x 3PCS

Assembly Steps(EN) / Montageschritte(DE)





STEP 25



STEP 26



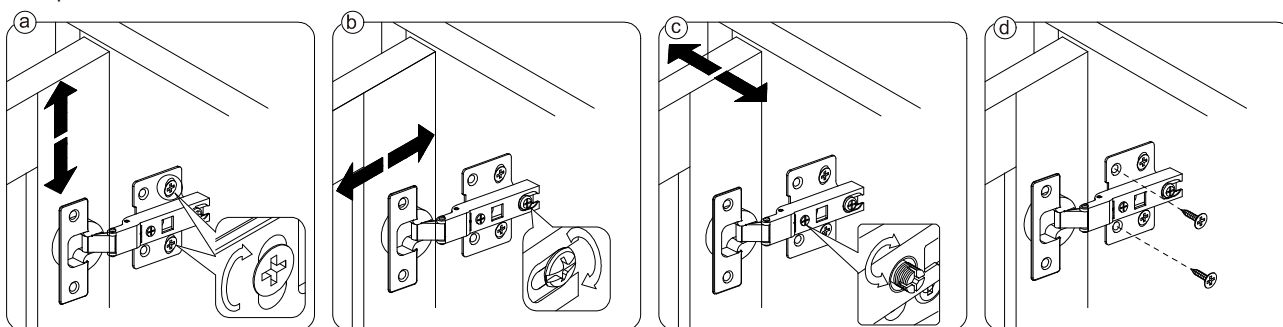
x4

	F x 16PCS
	H x 8PCS
	J x 4PCS
	K x 8PCS

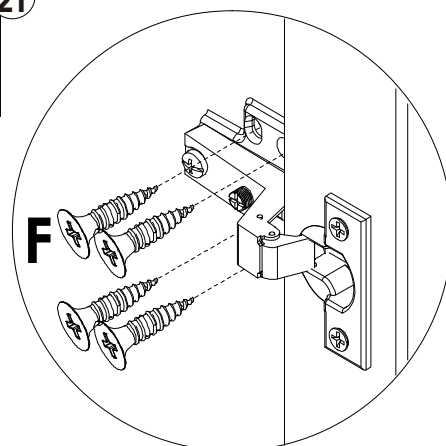
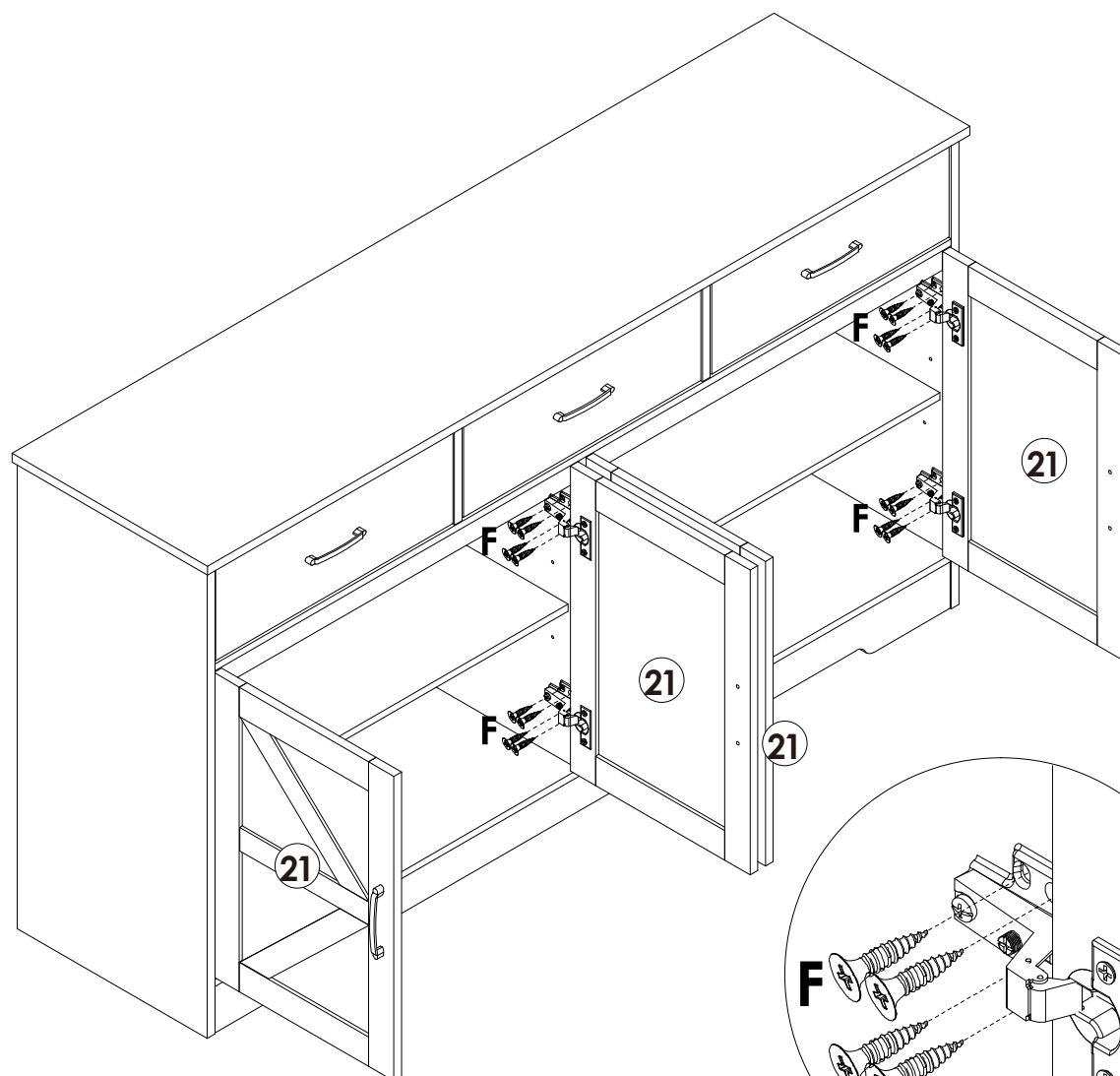
Assembly Steps(EN) / Montageschritte(DE)

STEP 27

When the hinges are installed, you can refer to the pictures to adjust gap of the doors till it's perfect:

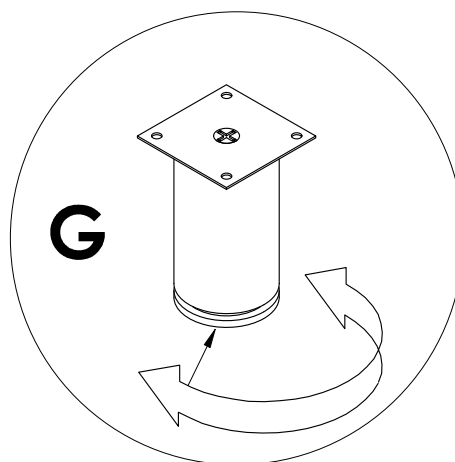
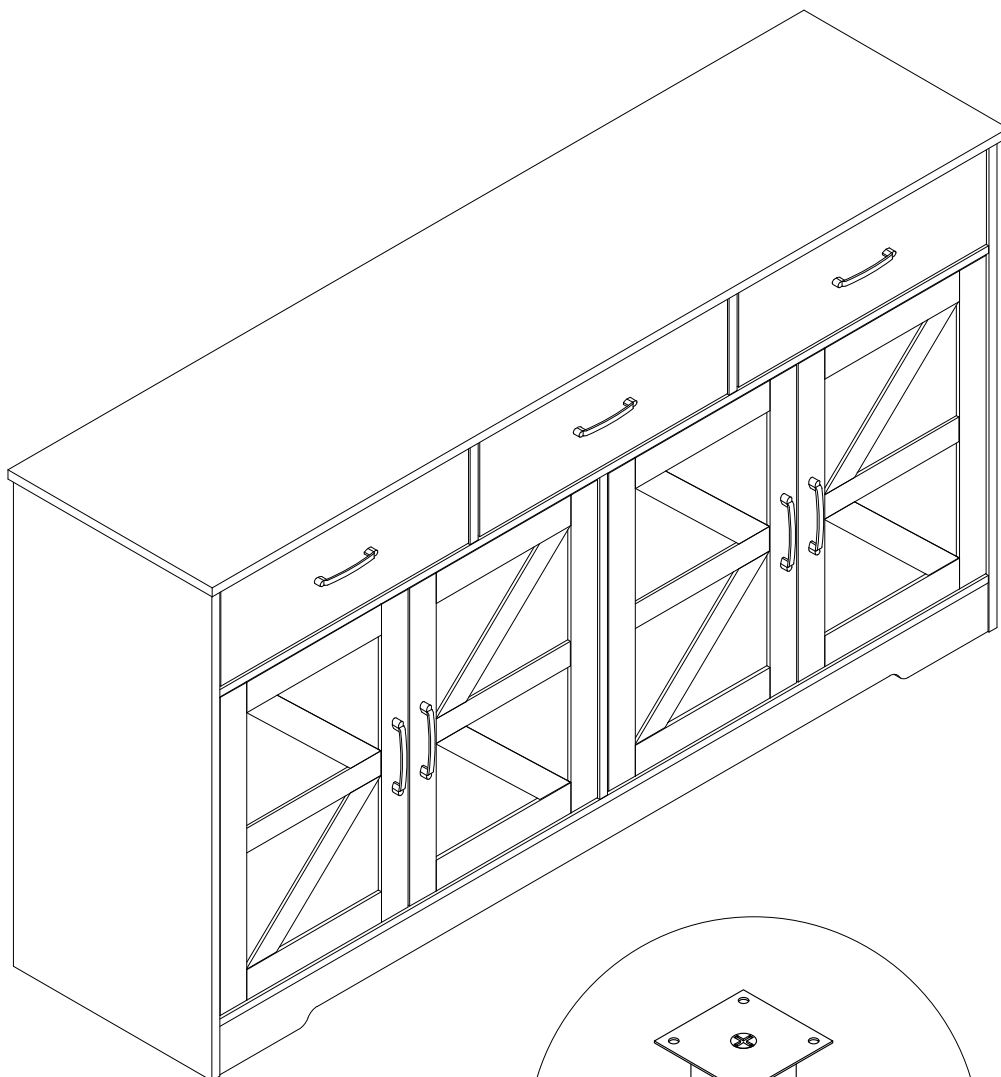


1. To adjust the doors up and down, please refer to step (a)
2. To adjust the distance between the doors and side panels, please refer to step (b)
3. To adjust the gap between two doors, please refer to step (c)
4. After the adjustment finished, please tight the screws, refer to step (d)



F x 32PCS

STEP 28

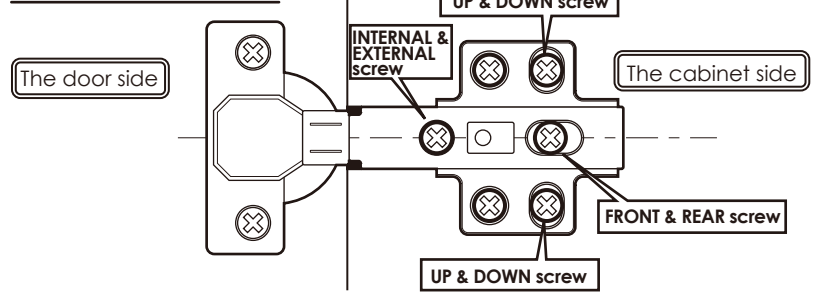


Notice: Dear customer, if the cabinet is not stable enough, you can twist the plastic feet under the middle-leg to adjust it.

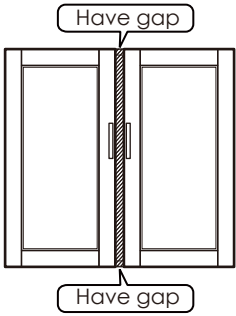
The ways to adjust the door

- Before adjusting the hinge, please check whether the cabinet is skewed.
- If the skew can not be repaired, please remove the anti-tipping device first, then adjust the cabinet to vertical position.
- Please adjust the hinge with the door open.
- Please operate it with more than 2 people, one person holds the door and the other one adjusts the screw.

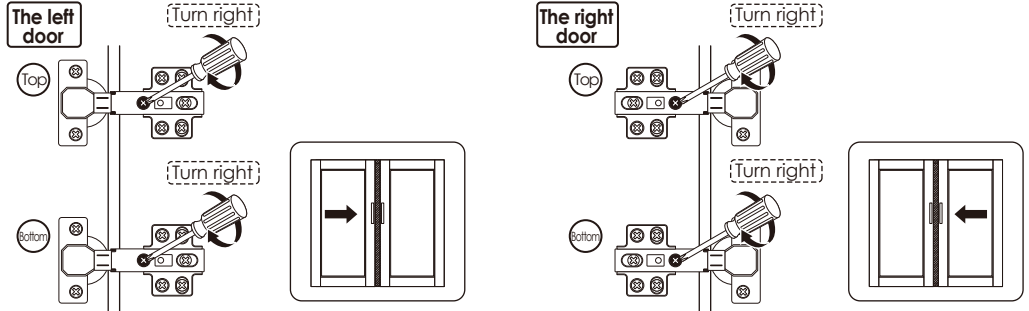
Components Name



Obvious gaps between doors or Doors don't look closed



- 1 Turn "internal & external screw" to the right can make the door approach inside. Please adjust the doors little by little.



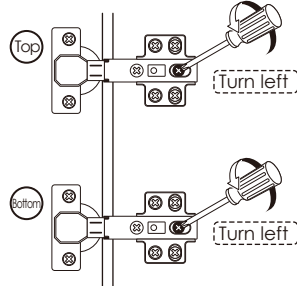
※ If the 2 doors are overlap, please turn the "internal & external screw" to the left.

When door is crooked



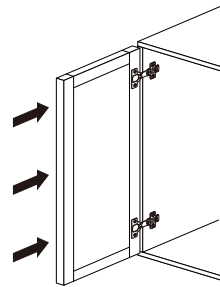
Please take the following steps to adjust first.

- 1 Rotate the "front and rear screws" to the left

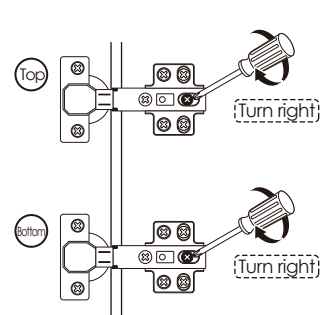


※ After adjusting the "front and rear screw", the door still does not change, please turn the "internal & external screw" to the right slightly.

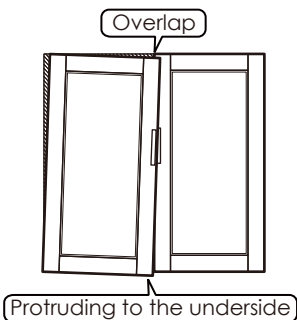
- 2 Push the door to the cabinet



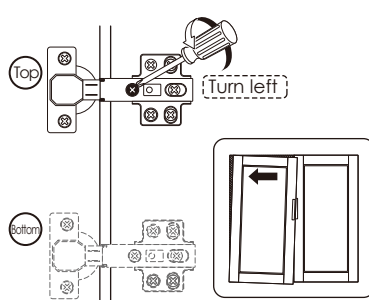
- 3 Rotate the "front and rear screws" to the right



When door is leaning



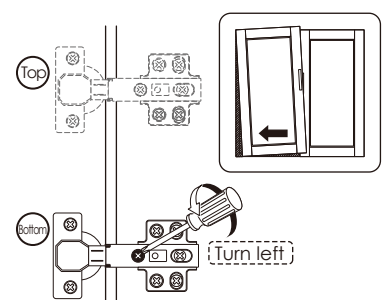
- 1 Turn "internal & external screw" to the left can make the top of the door tilted outward.



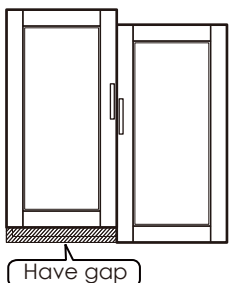
Protruding to the upside



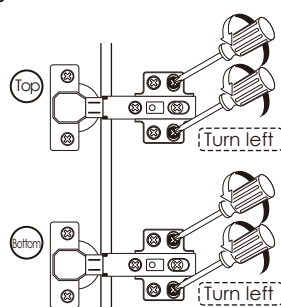
- 1 Turn "internal & external screw" to the left can make the bottom of the door tilted outward.



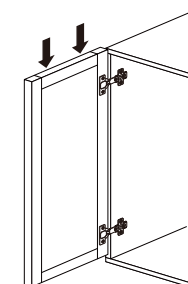
When the door is higher on top



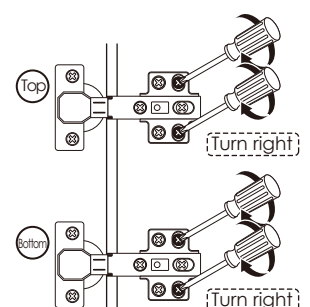
- 1 Turn "up & down screw" to the left



- 2 Lower the door's height so that 2 doors are of the same height.



- 3 Turn "up & down screw" to the right



※ If the door is lower on bottom, please lift up the left door slightly on step 2

WARNING



Children have died from furniture tipover. To reduce the risk of furniture tipover:

- **ALWAYS** install Anti-tip device provided.
- This product is designed and intended to be used with a TV.
- **NEVER** allow children to stand, climb or hang on any drawers, doors, or shelves.
- **NEVER** open more than one drawer at a time.
- Place heaviest items in the lowest drawers.

***This is a permanent label.
Do not remove!***