

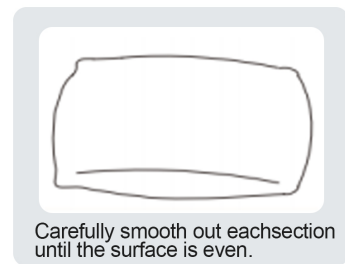
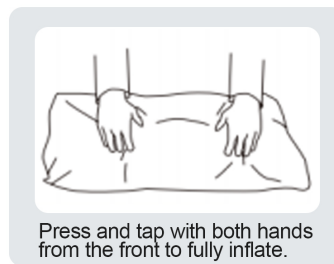
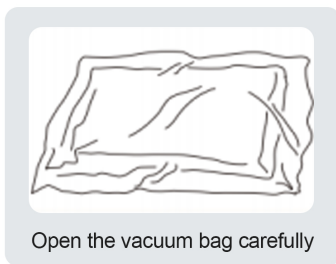
CHA01

# Assembly Instructions



## Notice for Vacuum Package

- The pillow and cushion come vacuum package for the reason of shipping. It can be restored to normal shape and condition within **72-96** hours.
- Some modeling works would be great helpful to restore the pillow and cushion.
- Please follow the steps below:



## Padding of pillows and cushion.

- For the purpose of long lasting performance during daily usage, we choose the Fiber foam mix up with bulk foam in certain range of diameter, to fill all the upholstered cushion and pillows. It's comply with standard CA TB 117 AND CARB Phase 2.



# IMPORTANT SAFETY INFORMATION

Please carefully read the instructions and caution warnings below before assembling the product. Following this guide will ensure that you install, use and maintain the product properly.

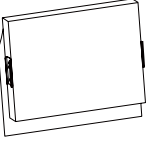



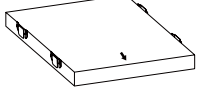






- \* Please check if all the components and tools listed are received.
- \* Please keep this installation and user manual/instructions for future reference in case you need to assemble the product.
- \* Do not assemble if you notice serious damage such as cracks or bends.
- \* During installation, please use work gloves for hand safety.
- \* Please assemble the unit on carpeted floor or the flat cardboard box to avoid scratching the surface or your floor while assembling on the floor.
- \* To assemble, please use the complimentary installation tools (Allen Wrench). Pay more attention to the direction of components at each steps.
- \* Do not use sharp instruments, rubbing alcohol, corrosive chemicals, or abrasive cleaners to clean the product.
- \* Do not keep the product in a damp environment for a long period of time. The damp environment may cause the iron components to rust and the plates to bulge and crack.

## CUSTOMER SERVICE

Malfunction, repair, usage instruction, or any another problem, pls contact us :

Email: [service@levincomp.com](mailto:service@levincomp.com)

# Components

|   |   |   |   |   |   |
|---|---|---|---|---|---|
| <b>A</b><br><br>1pcs | <b>B</b><br><br>1pcs | <b>C</b><br><br>2pcs | <b>D</b><br><br>1pcs | <b>E</b><br><br>1pcs | <b>F</b><br><br>1pcs |
| <b>L</b><br><br>1pcs | <b>R</b><br><br>1pcs | <b>G</b><br><br>1pcs | <b>a</b><br><br>8pcs | <b>b</b><br><br>8pcs |   |

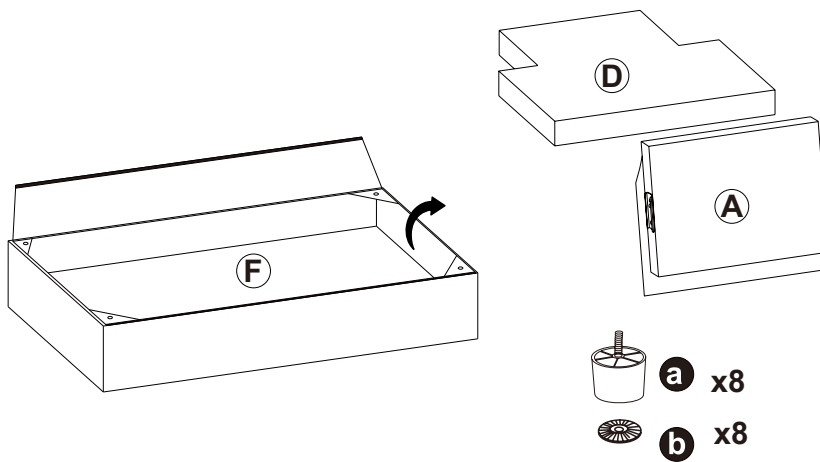
# Assembly Instruction



You need Package 1 to finish this installation!

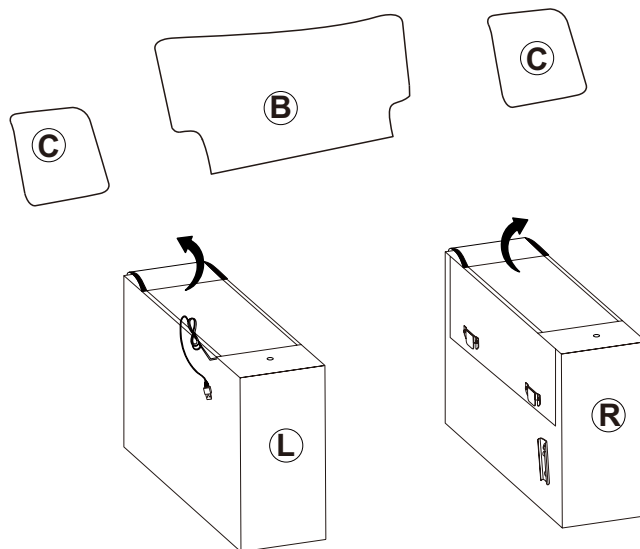
## Step 1

Take out D,A,a and b from F



## Step 2

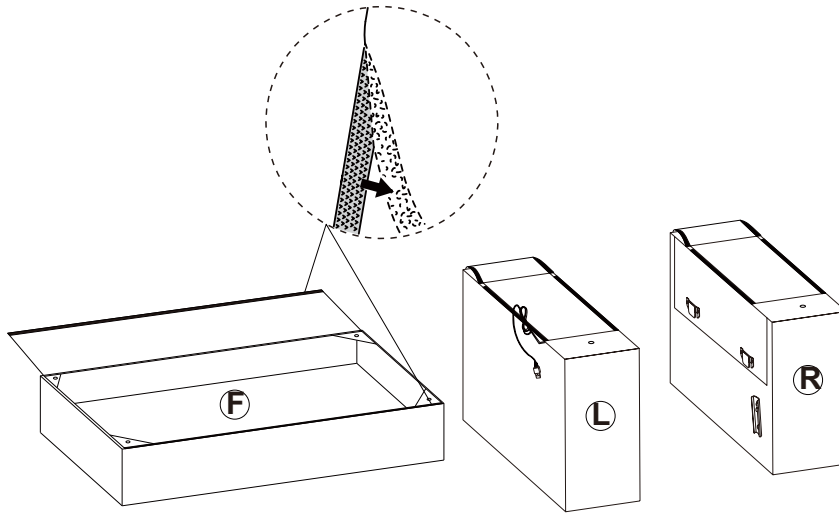
Take C and B out of L/R



# Assembly Instruction

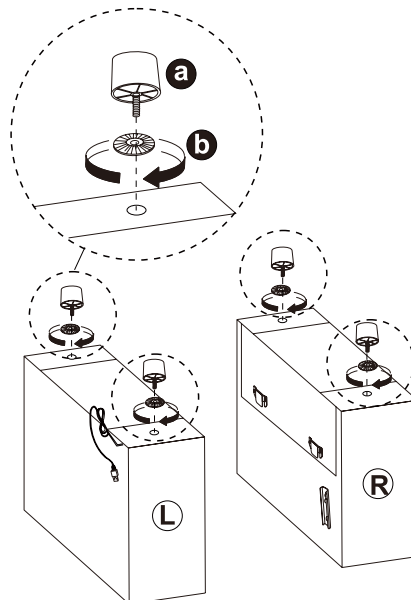
## Step 3

Close the F/L/R Velcro



## Step 4

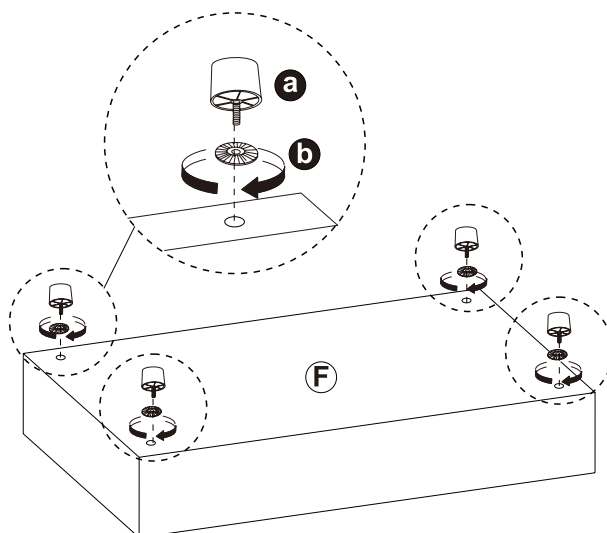
Install a and b on L/R.



# Assembly Instruction

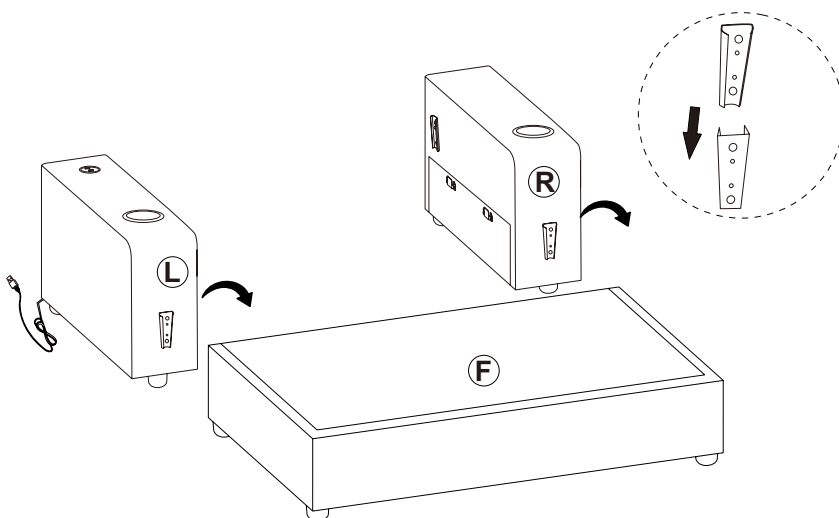
## Step 5

Install a and b on F.



## Step 6

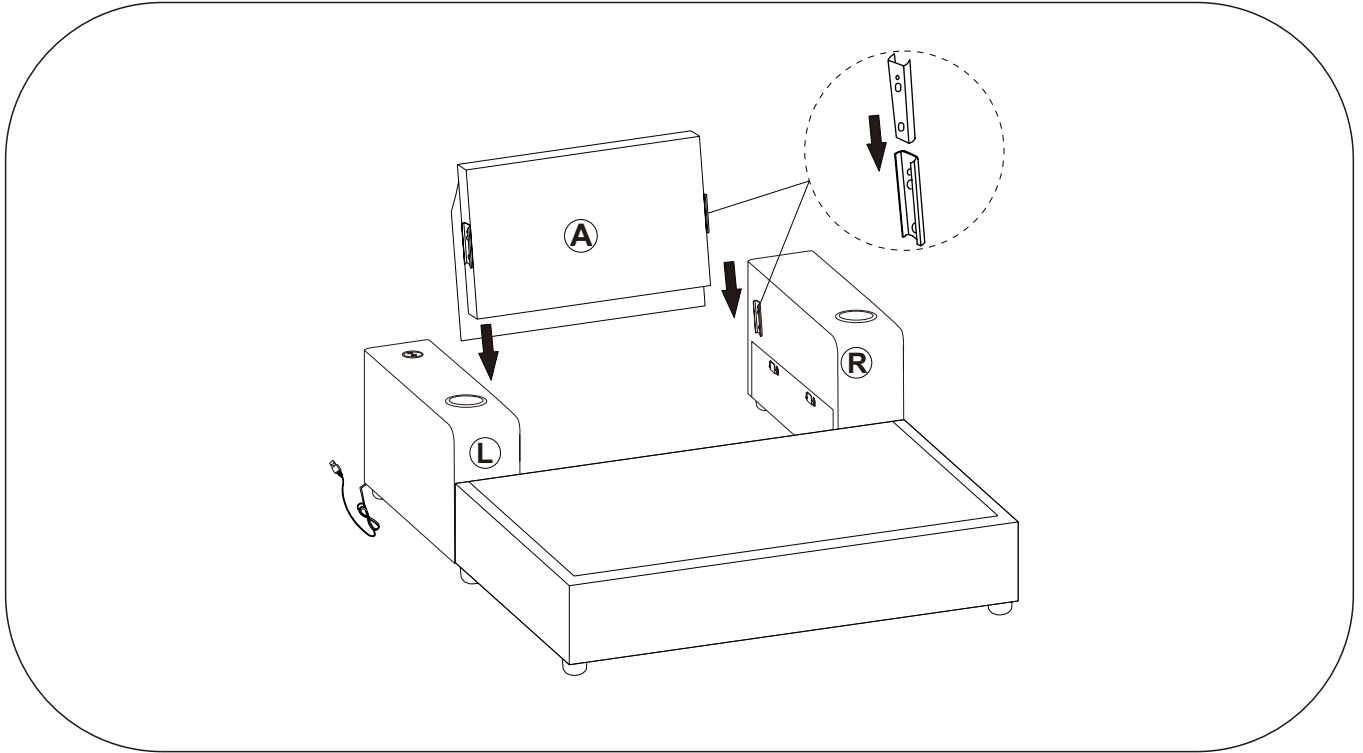
Hang L/R on F.



# Assembly Instruction

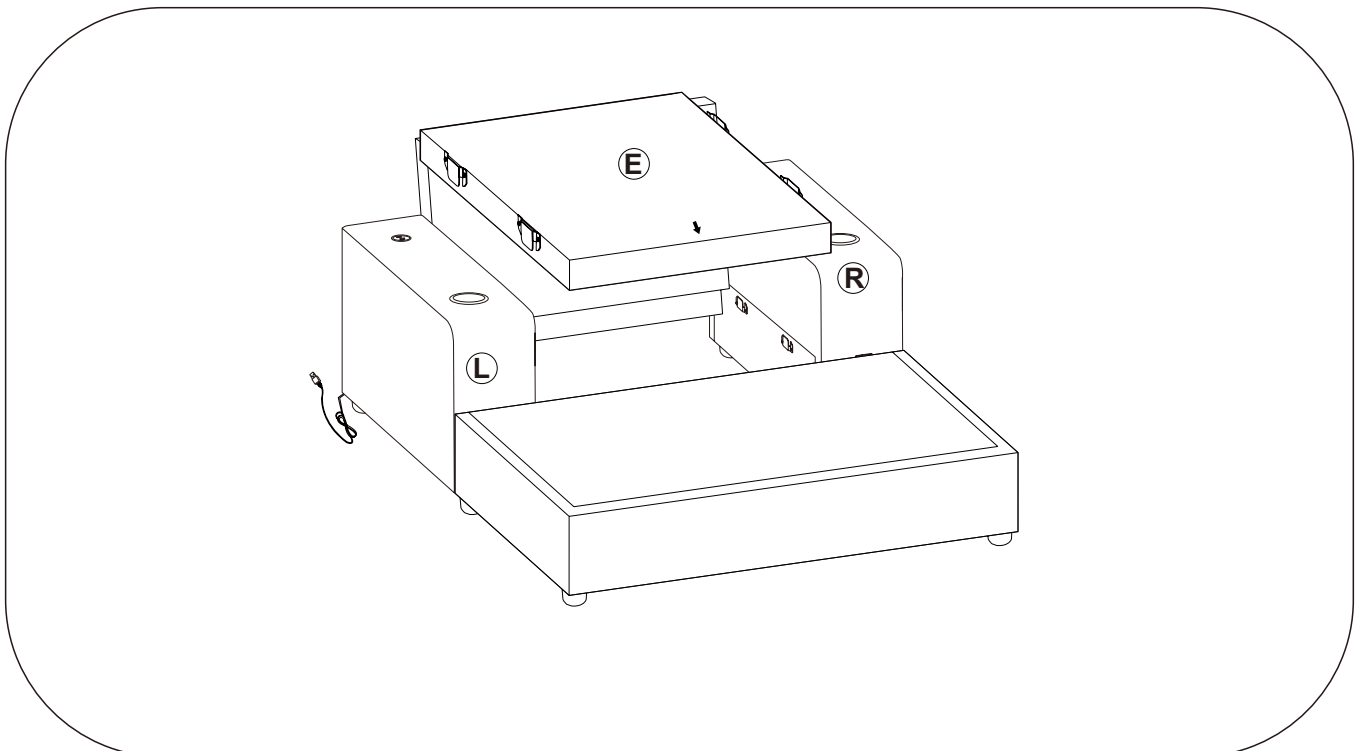
## Step 7

Insert A into L/R.



## Step 8

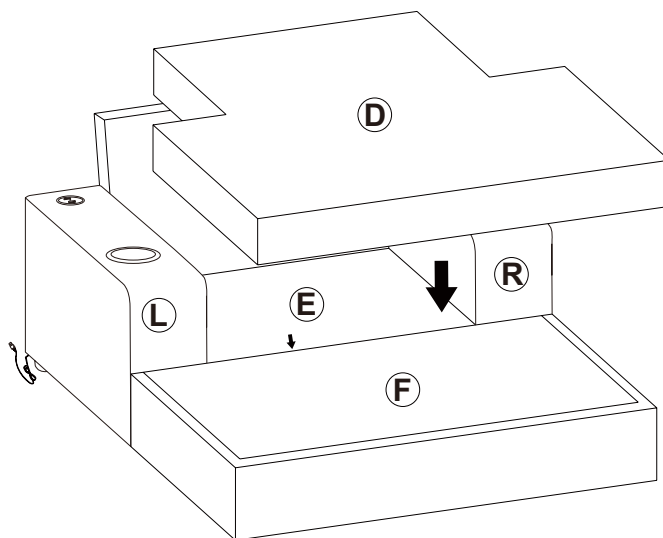
Insert E into L/R and pay attention to the direction marker above E.



# Assembly Instruction

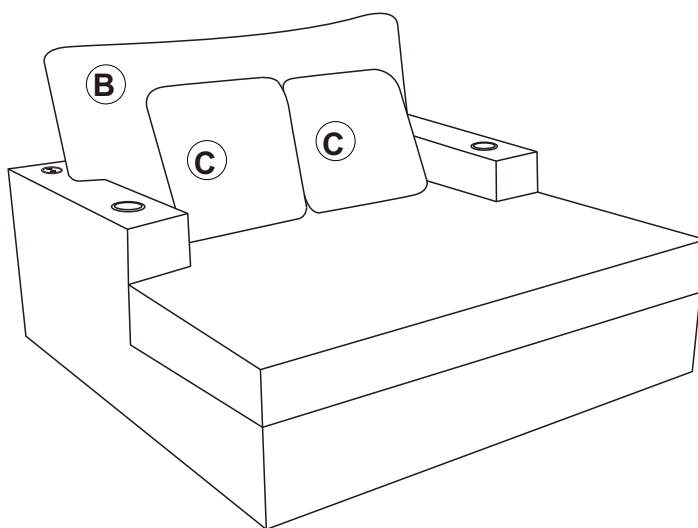
## Step 9

Place D on E/ F. Be sure to remove the fringed Velcro at the bottom of the D seat cushion to facilitate the adhesion of the Velcro.



## Step 11

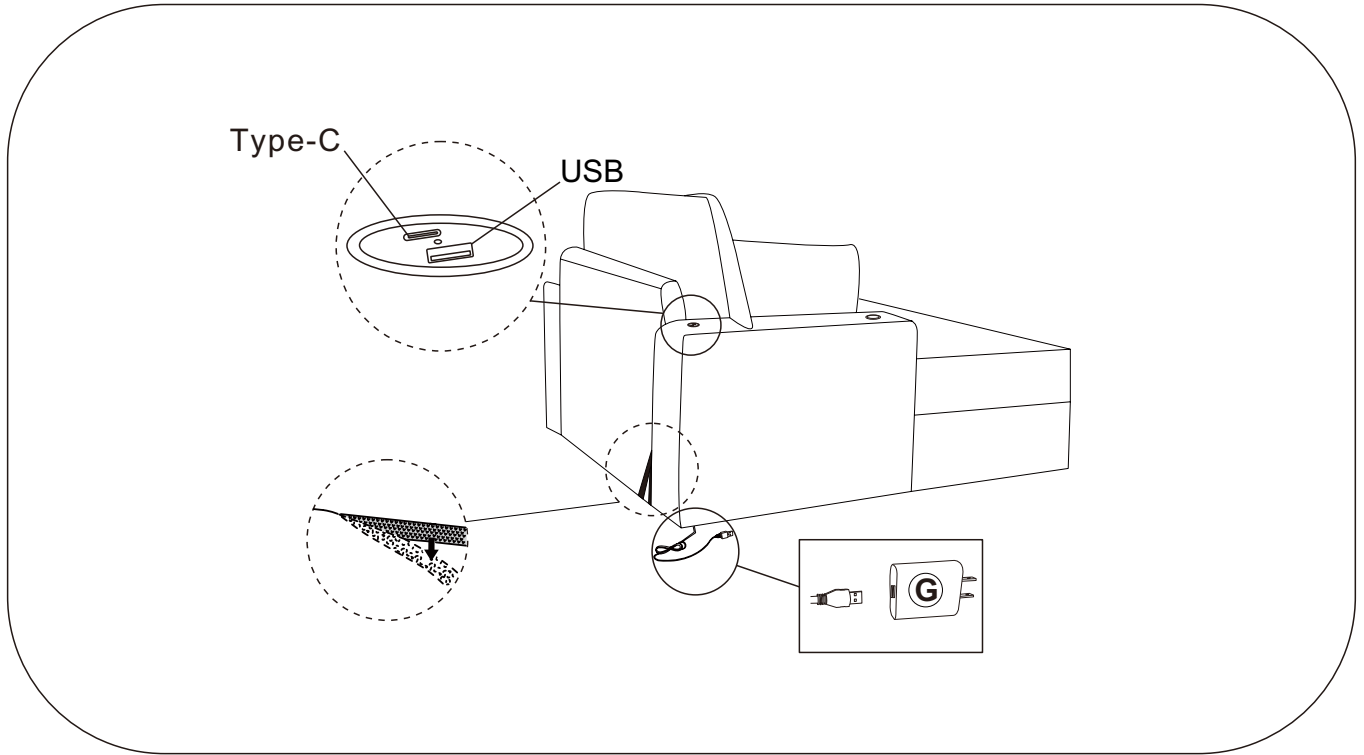
Place B and C on the assembled sofa.



# Assembly Instruction

## Step 11

Apply the Velcro on the back.



## Step 12

Installation completed.

