

# Pegboard Compatible Laptop Holder

SKU: MOUNT-PB2L

Instruction Manual

---

Assembly Video & Product Info  
[www.vivo-us.com/products/mount-pb2l](http://www.vivo-us.com/products/mount-pb2l)



# ! CAUTION! !

If you do not understand these directions, or if you have any doubts about the safety of the installation, please contact our product support team at 309-278-5303 or [help@vivo-us.com](mailto:help@vivo-us.com) for further assistance. Check carefully to make sure there are no missing or defective parts. Improper installation may cause damage or serious injury. Do not use this product for any purpose that is not explicitly specified in this manual. Do not exceed weight capacity. We cannot be liable for damage or injury caused by improper mounting, incorrect assembly or inappropriate use.



## WARNING: CHOKING HAZARD

SMALL PARTS - NOT FOR CHILDREN UNDER 3 YEARS. ADULT SUPERVISION IS REQUIRED.



## DO NOT EXCEED WEIGHT CAPACITY

FAILURE TO DO SO MAY RESULT IN SERIOUS INJURY.

---

## We're Here for You

Open **Monday - Friday 7:00am - 7:00pm** CST, our dedicated support team can offer immediate assistance with rapid response times. If any parts are received damaged or defective, please contact us. We are happy to replace parts to ensure you have a fully functioning product.



Give us a Call:  
**309-278-5303**

AVG. RESOLUTION TIME (*within office hrs*): **5M 4S**



Chat Us:  
**[www.vivo-us.com](http://www.vivo-us.com)**

AVG. RESOLUTION TIME (*within office hrs*): **< 15 M**

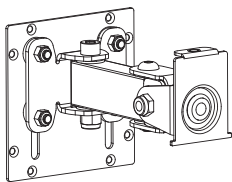


Email Us:  
**[help@vivo-us.com](mailto:help@vivo-us.com)**

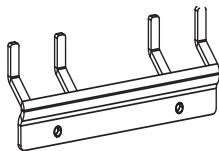
AVG. RESPONSE TIME (*within office hrs*): **1HR 8M**

- 23% within < 15m
- 38% within < 30m
- 61% within < 1hr
- 83% within < 2hr
- 92% within < 3hr

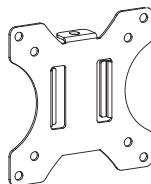
# Package Contents



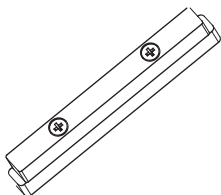
**A (x1)**  
Arm



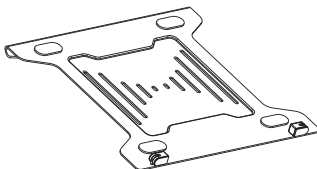
**B (x2)**  
Pegboard Hook



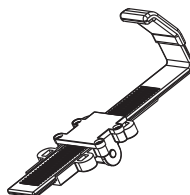
**C (x1)**  
VESA Plate



**D (x1)**  
Magnet



**E (x1)**  
Laptop Tray



**F (x2)**  
Laptop Arm



**G (x2)**  
Laptop Clip

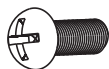
## Included Hardware & Tools



**S-A** (x1)  
Thumbscrew



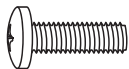
**S-B** (x4)  
M4x6mm Screw



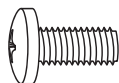
**S-C** (x4)  
M4x8mm Screw



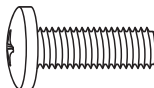
**M-A** (x4)  
M4x12mm Screw



**M-B** (x4)  
M4x16mm Screw



**M-C** (x4)  
M5x12mm Screw



**M-D** (x4)  
M5x16mm Screw



**M-E** (x4)  
M5 Washer



**M-F** (x4)  
Spacer



**T-A** (x1)  
6mm Allen Wrench



**T-B** (x1)  
Wrench

---

## Tools Needed:



**Phillips  
Screwdriver**

## Weight Capacity:

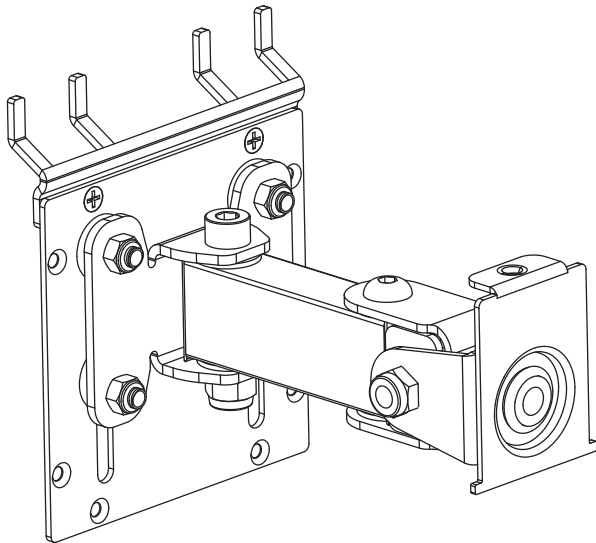
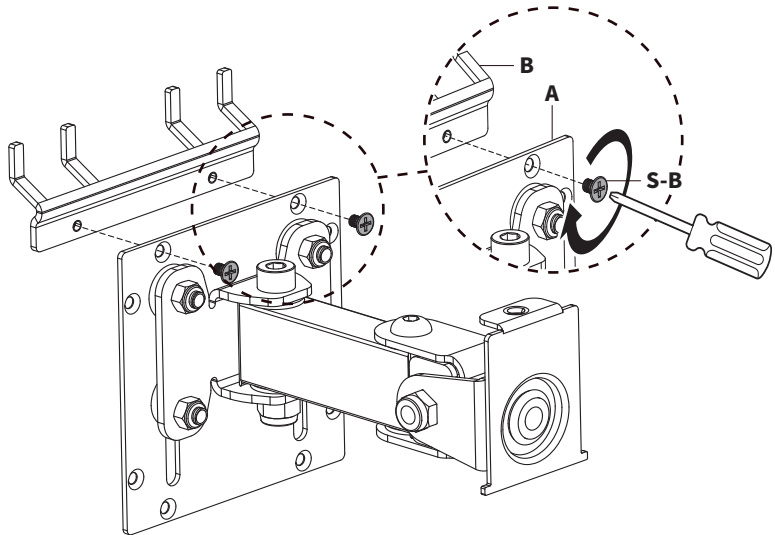


**17.6lbs  
(8kg)**

## ASSEMBLY STEPS

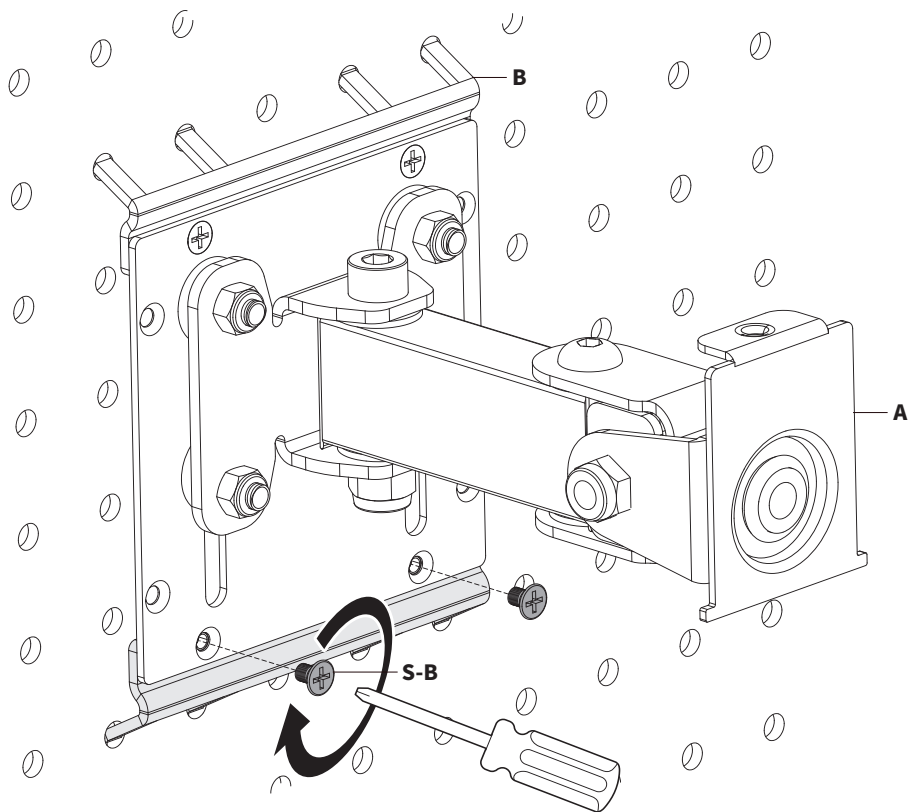
### STEP 1

Assemble one of the Pegboard Hooks (**B**) to top side of Arm (**A**) using M4x6mm Screw (**S-B**) and a Phillips screwdriver.



**Option 1: Pegboard Supported**

Insert Arm **(A)** into pegboard. Assemble the remaining Pegboard Hook **(B)** to bottom side of Arm using M4x6mm Screws **(S-B)** and a Phillips screwdriver.



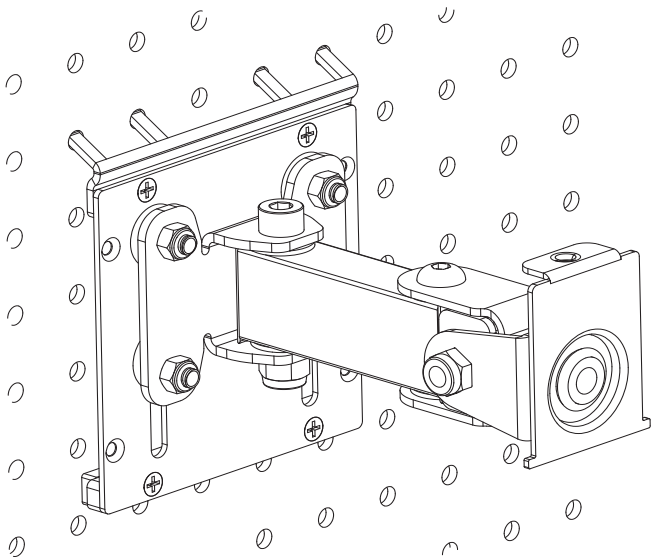
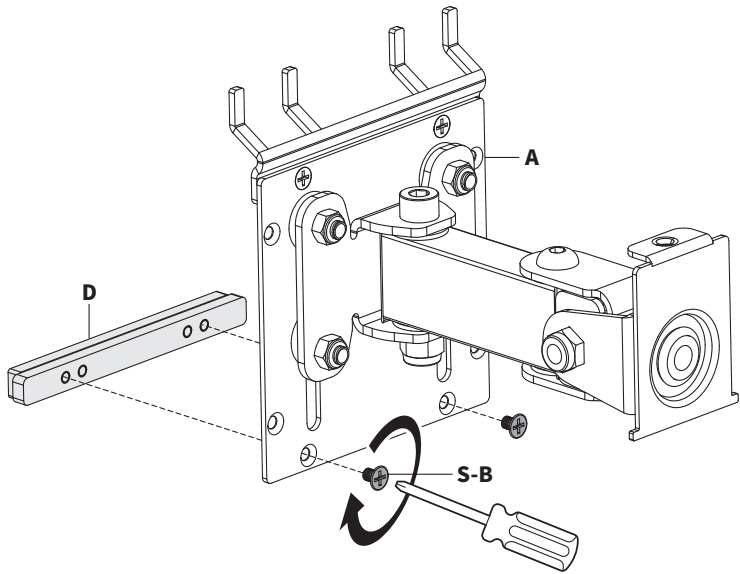
## Option 2: Magnet Supported

Assemble the Magnet (**D**) to bottom side of Arm (**A**) using M4x6mm Screws (**S-B**) and a Phillips screwdriver.



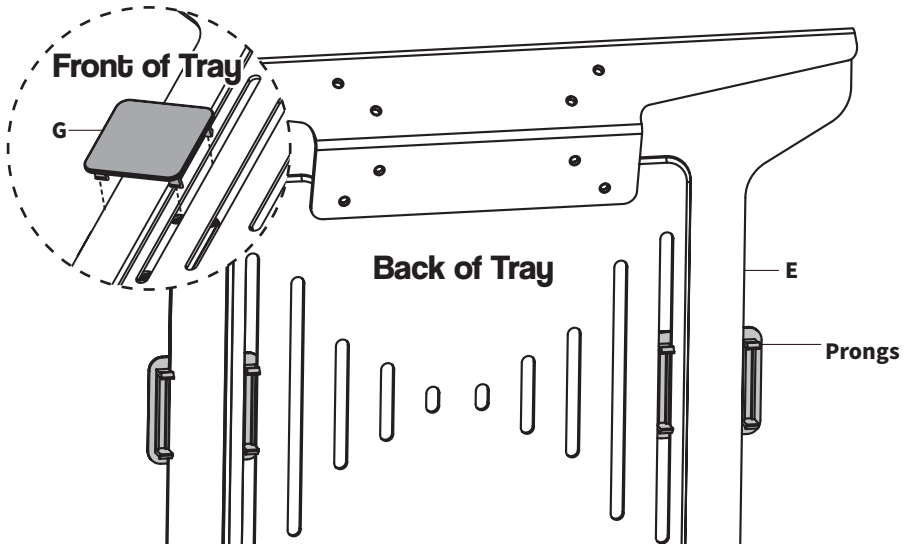
### \*\* WARNING \*\*

Ensure Magnet (**D**) attaches firmly to the wall. If not, use **Option 1** for mounting.



## STEP 3

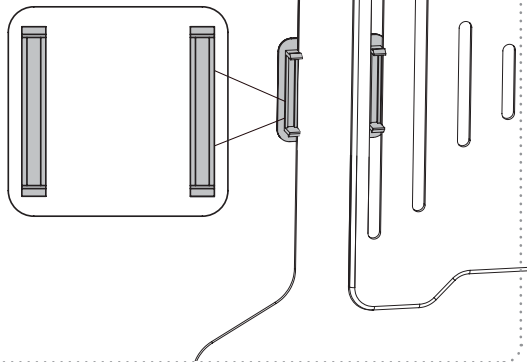
Place Clips (**G**) through the front of the Laptop Tray (**E**), with **Prongs** facing the back of the Tray. One set of **Prongs** should be in the outer **Slot** and the other set overhanging the Tray.



### Orienting Clips (G)

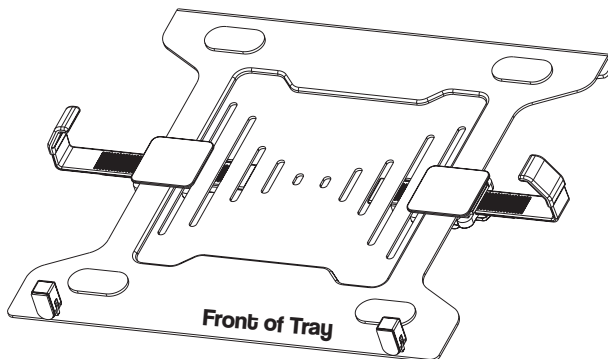
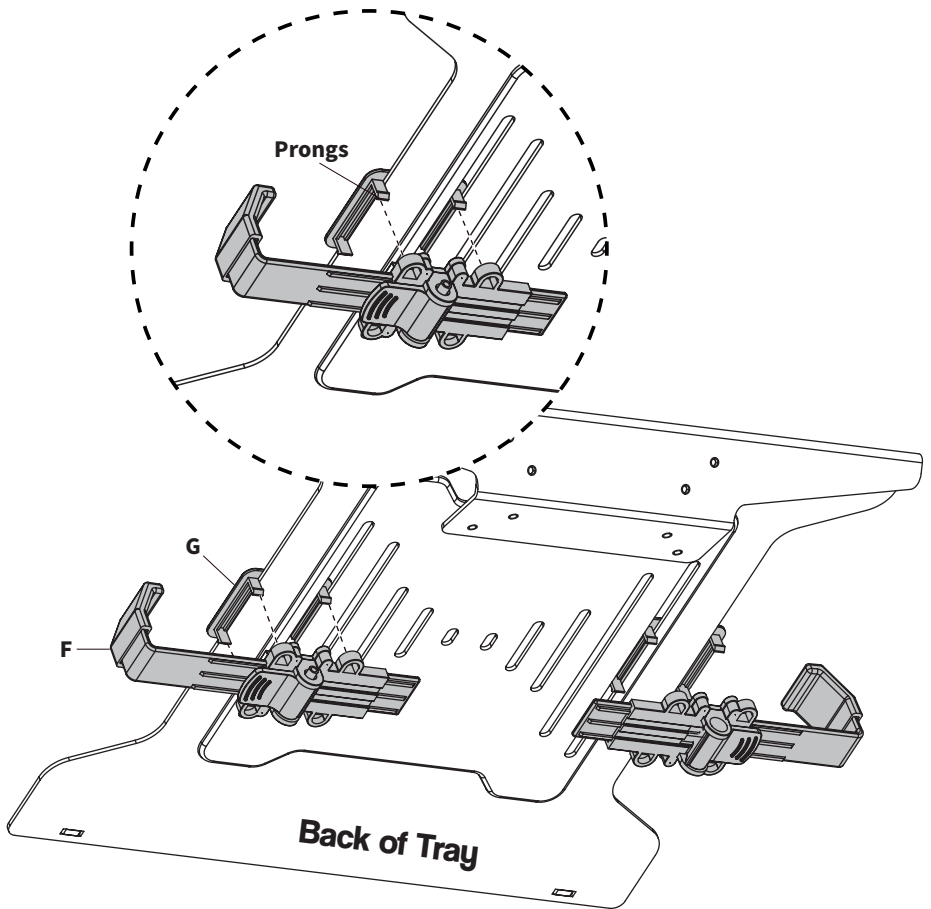
**Vertical Rectangles** on Clip (**G**) should be in line with slots on Tray (**E**).

Clips should overhang the outer edge of Tray.



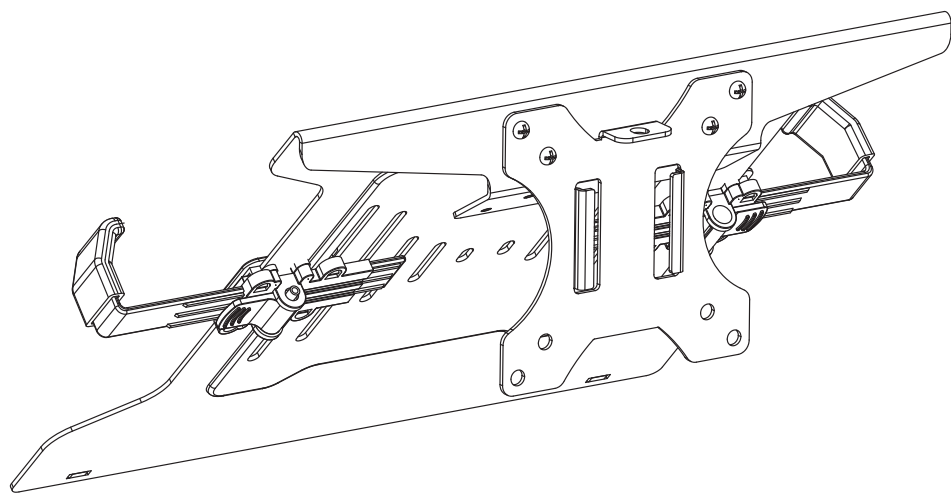
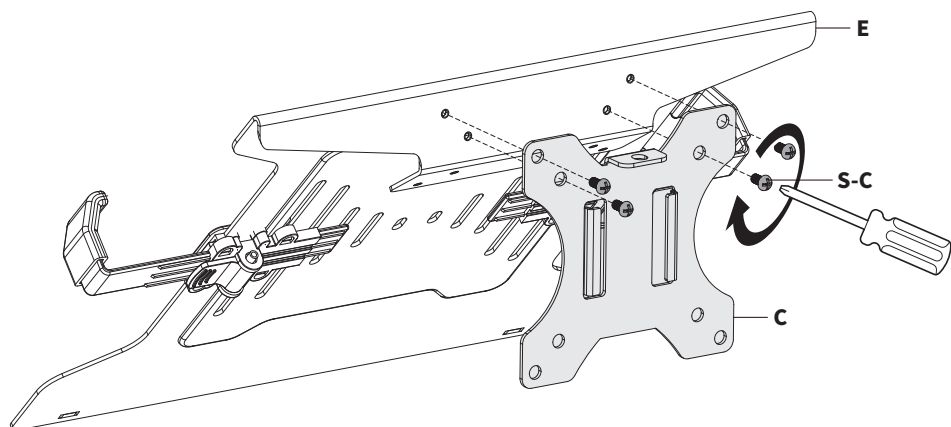
### STEP 3 - Cont'd

Press Laptop Arms (**F**) from the backside of Tray into **Prongs** on Clips (**G**), ensuring all four snap into place.



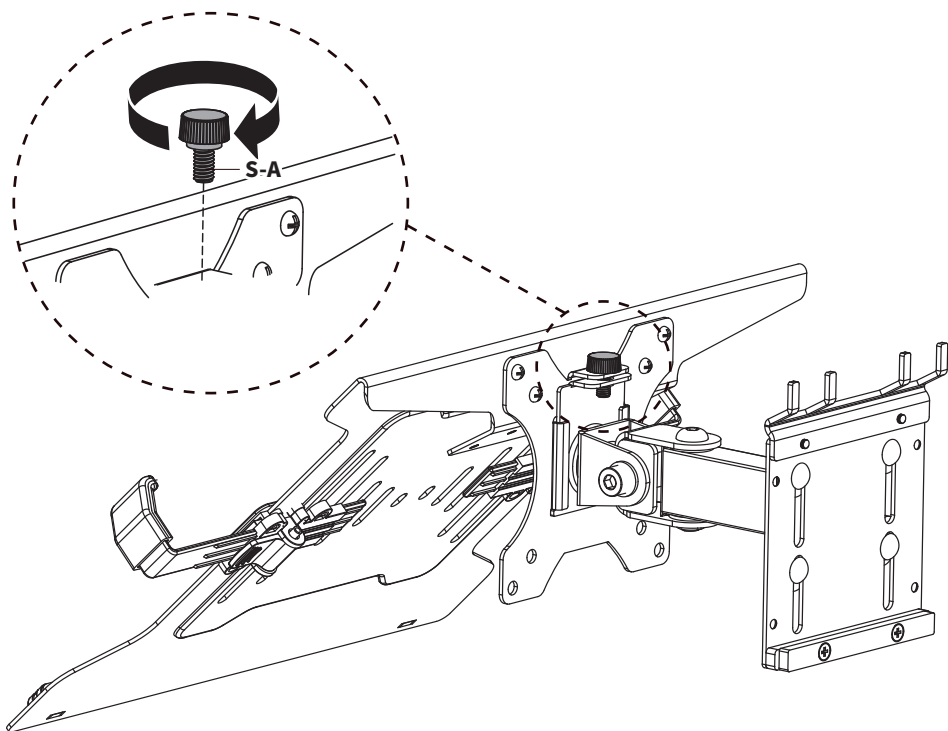
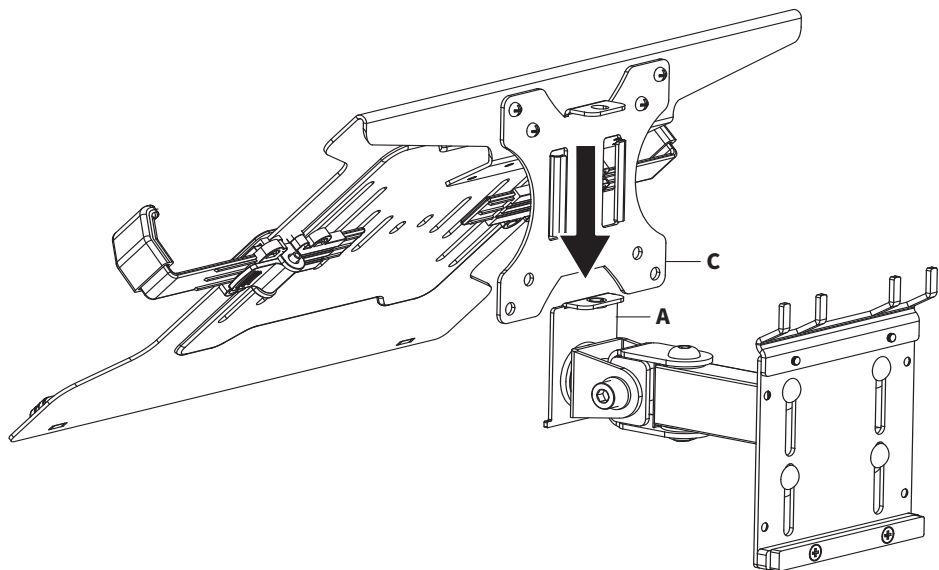
## STEP 4

Secure VESA Plate (C) to Laptop Tray (E) using M4x8mm Screws (S-C) and a Phillips screwdriver.



## STEP 5

Slide VESA Plate (C) onto the Arm (A) and secure using Thumbscrew (S-A).

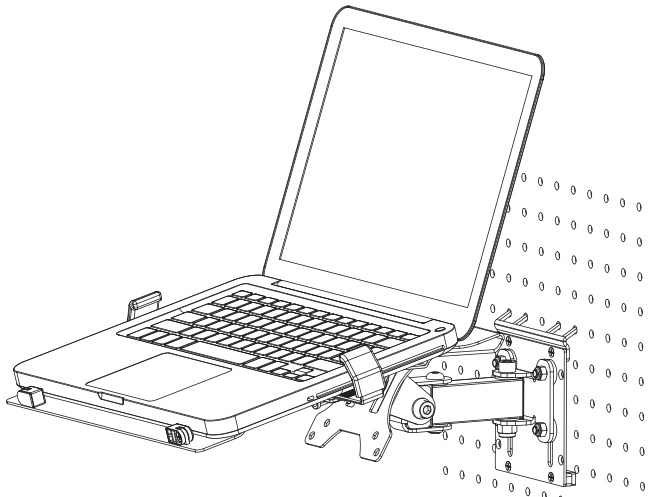
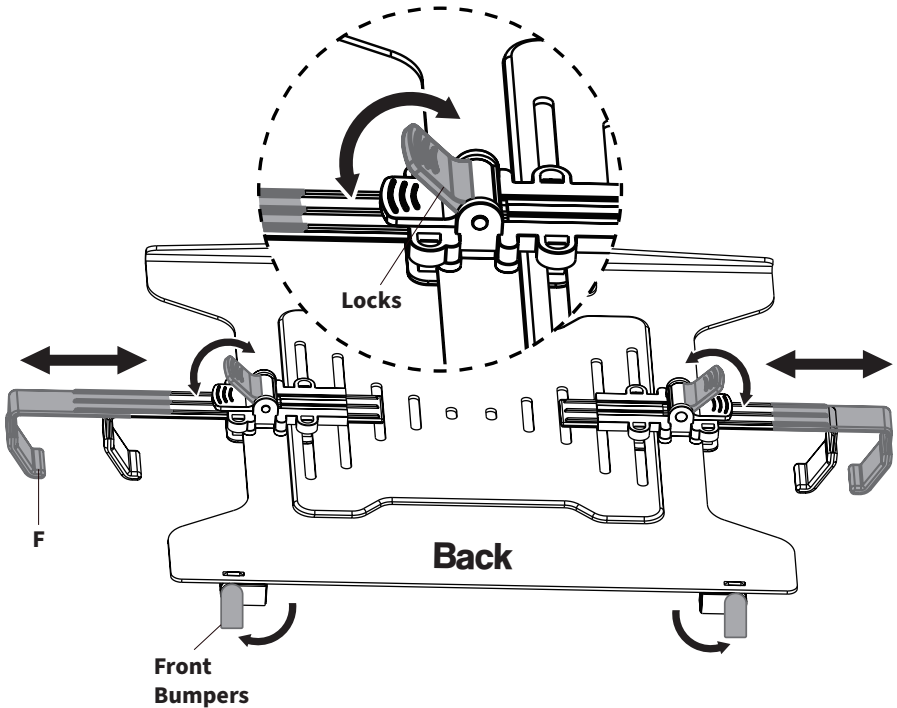


# Adjusting Locking Laptop Arm Length

**1. Release Locks:** Pull tabs on **Locks** on the underside of Laptop Arms (**F**) and extend the Arms out.

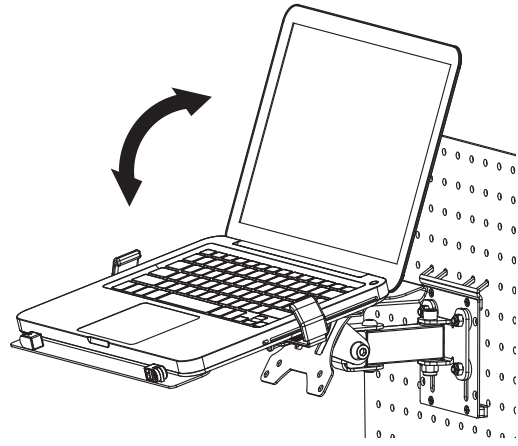
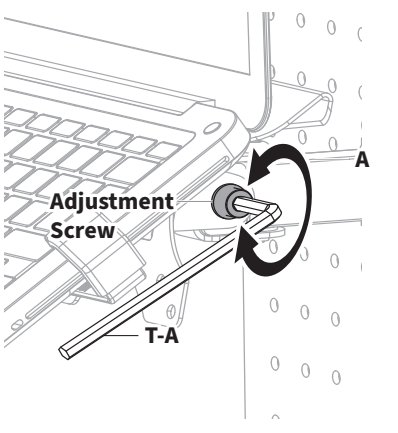
**2. Secure Laptop:** Place your laptop on the tray, then adjust Laptop Arms (**F**) to width of your laptop. Engage **Locks** to secure laptop.

*Optional:* If using a thicker laptop, turn the **Front Bumpers** to the upward position for additional support.

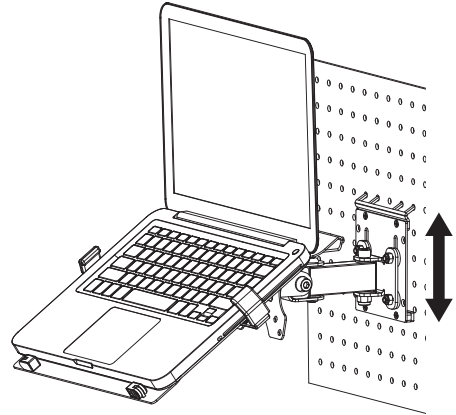
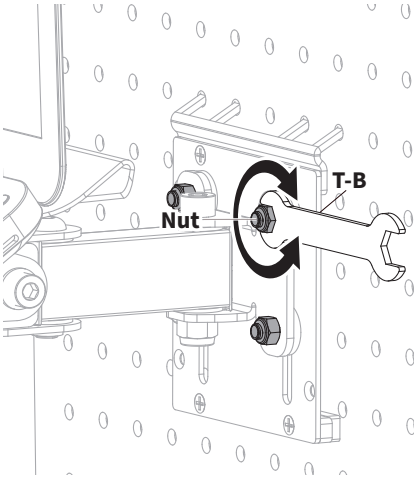


## STEP 6

To adjust tilt, manipulate the **Adjustment Screw** on side of Arm (**A**) using 6mm Allen Wrench (**T-A**).



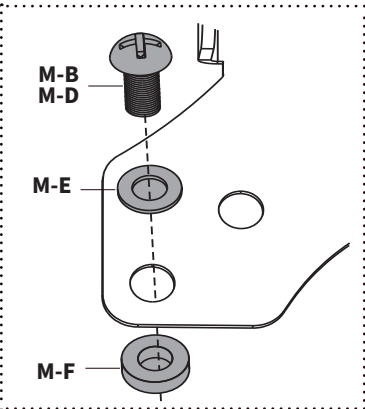
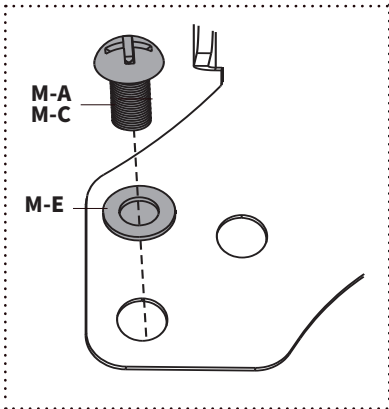
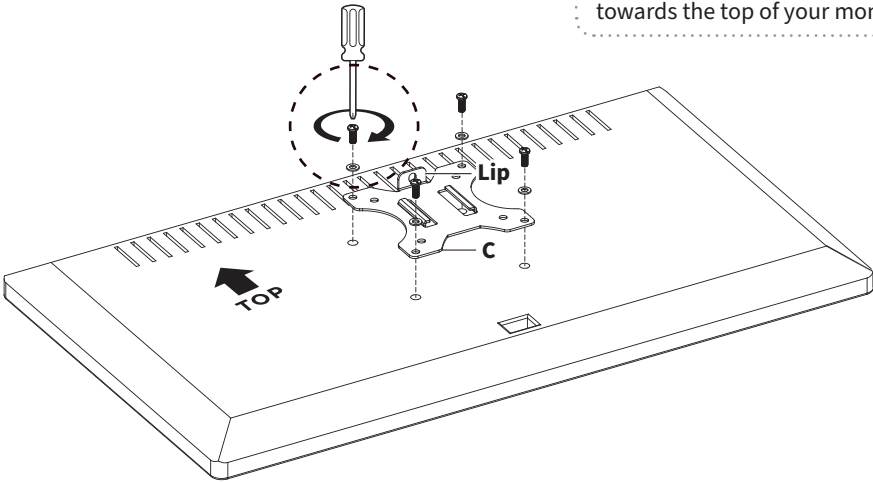
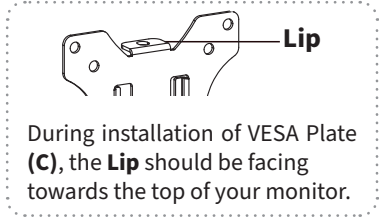
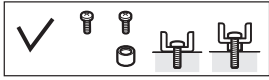
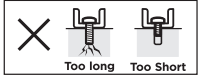
Adjust the **Nut** on Arm with Wrench (**T-B**) to raise or lower the mount.



# Optional: Monitor Mounting

**\*\*Complete Standard Assembly Steps 1 and 2 before proceeding\*\***

Attach VESA Plate (C) to the back of your monitor using appropriate Screws (M-A thru M-D), Washers (M-E) and Spacers (M-F). Tighten using a Phillips screwdriver.

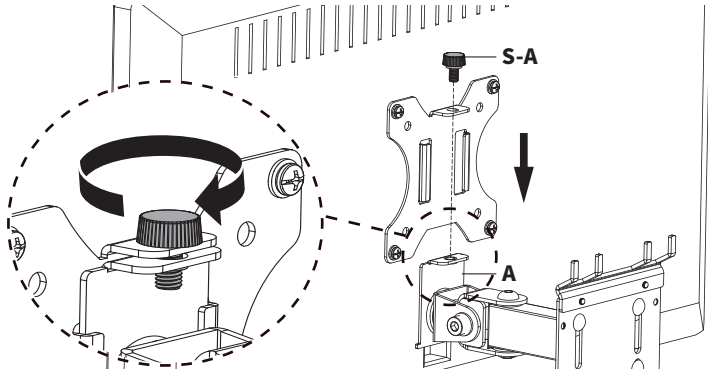


## Adjust as Desired

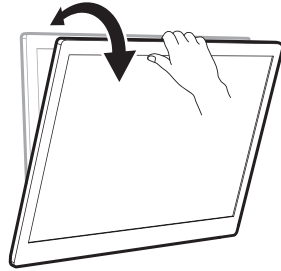
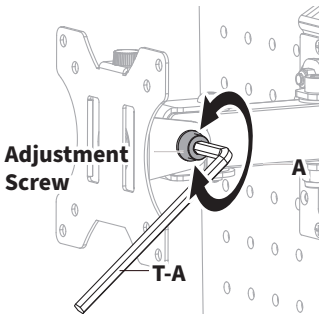
Attach your monitor to Arm (A). Tighten the Thumbscrew (S-A) until secure.



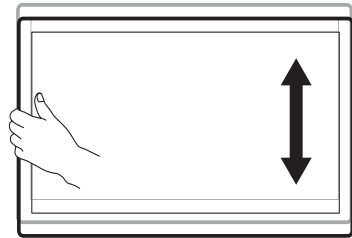
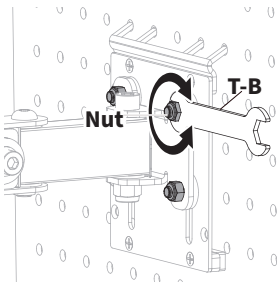
2 Person Mounting  
is Recommended



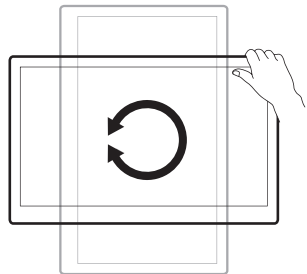
To adjust tilt, turn the **Adjustment Screw** on side of Arm (A) using 6mm Allen Wrench (T-A).



Adjust the **Nut** on Arm with Wrench (T-B) to raise or lower the mount.



Your monitor can be rotated to a vertical orientation.



LAST UPDATED: 7/23/24

REV1

v1.0



## Need Help? Get In Touch

Monday-Friday from 7:00am-7:00pm CST



[help@vivo-us.com](mailto:help@vivo-us.com)



[www.vivo-us.com](http://www.vivo-us.com)

*Chat live with an agent!*



309-278-5303



**VIVO-us** @vivo\_us

FOR MORE GREAT VIVO PRODUCTS,  
CHECK OUT OUR WEBSITE AT: [WWW.VIVO-US.COM](http://WWW.VIVO-US.COM)