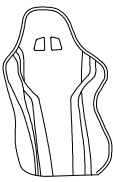
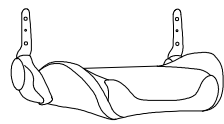
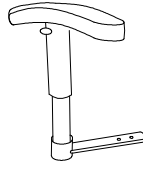

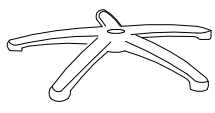
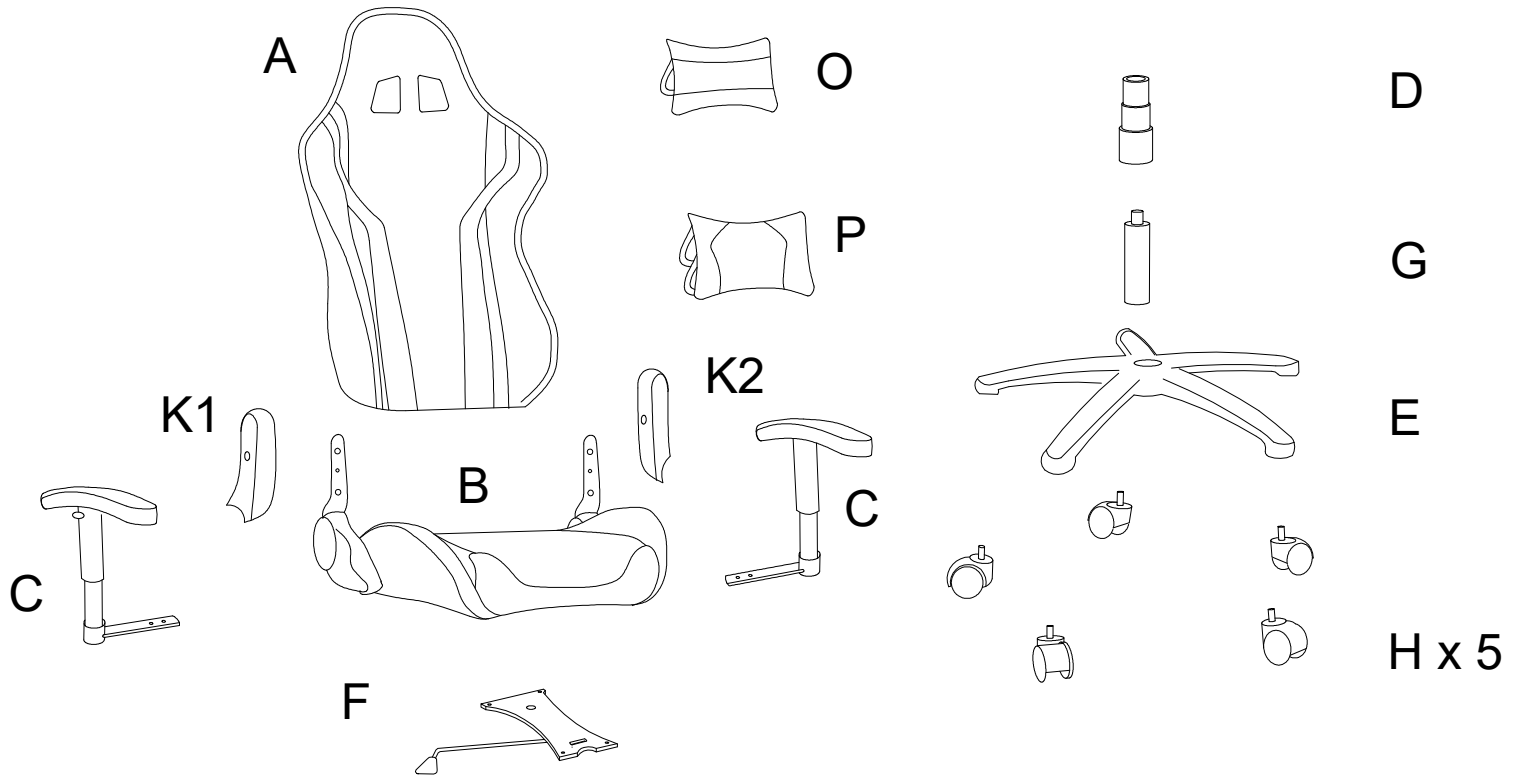
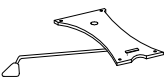

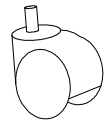
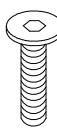
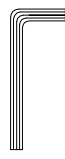

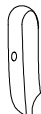
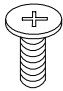
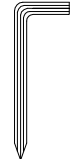

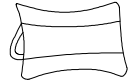
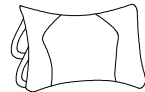


Warning icons and assembly instructions:

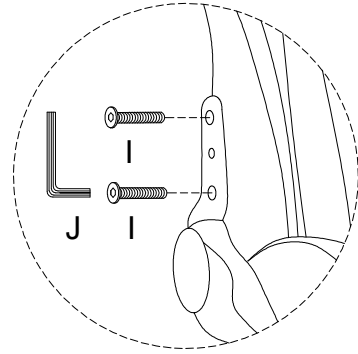
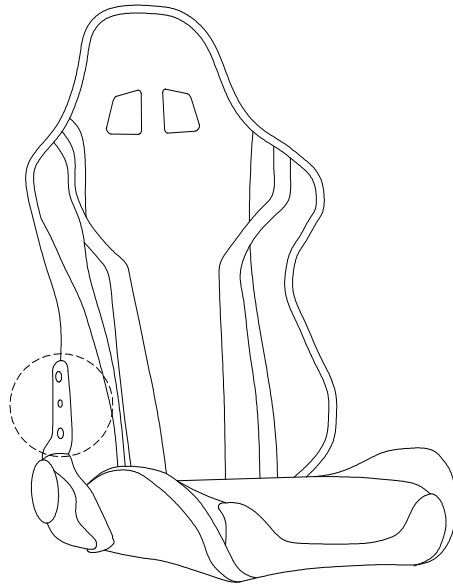
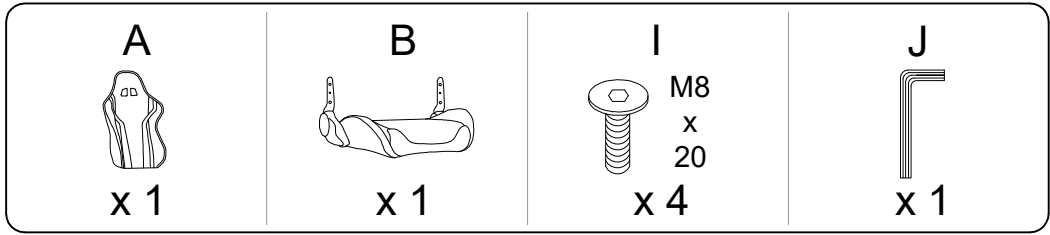
- Top warning: A triangle with an exclamation mark. To its left, a circle contains two L-shaped brackets and a power drill with a slash through it, indicating that power tools should not be used for these components.
- Bottom warning: A triangle with an exclamation mark. To its left, a circle contains a rectangular block being placed on a textured surface, and another diagram shows a block with a slash through it, indicating that the chair should be placed on a soft surface like a rug.
- Time icon: A clock face with the number **30'** below it, indicating a 30-minute assembly time.
- Person icon: A stick figure with the number **1** below it, indicating that one person is required for assembly.

A	B	C	D	E
				
x 1	x 1	x 2	x 1	x 1

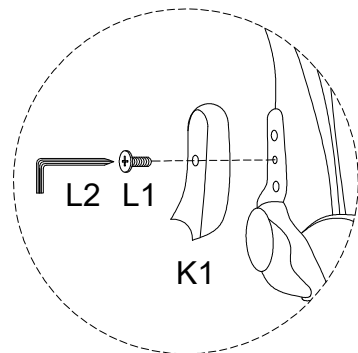
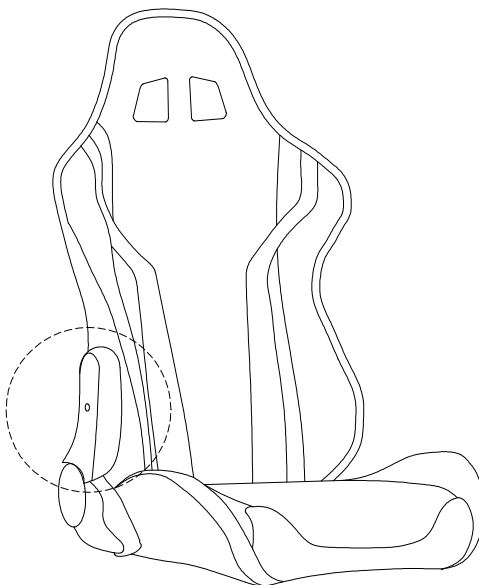
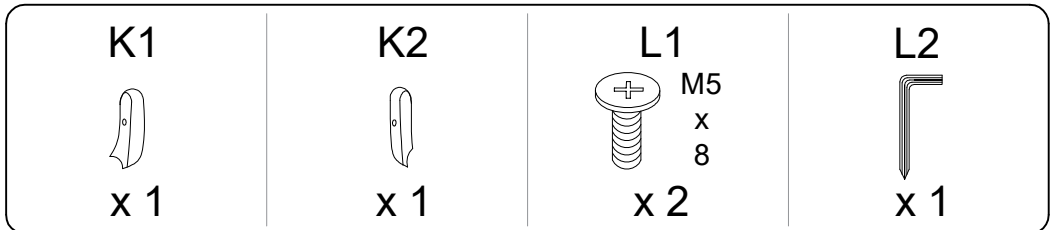


F	G	H	I	J	K1
			 M8 x 20		
x 1	x 1	x 5	x 8	x 1	x 1
K2	L1	L2	M	N	O
	 M5 x 8		 M8 x 16		
x 1	x 2	x 4	x 4	x 1	x 1

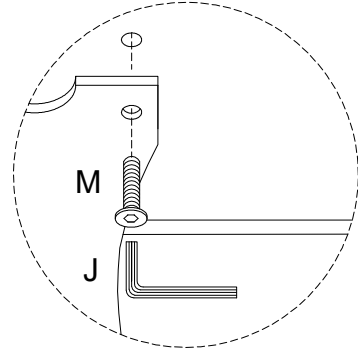
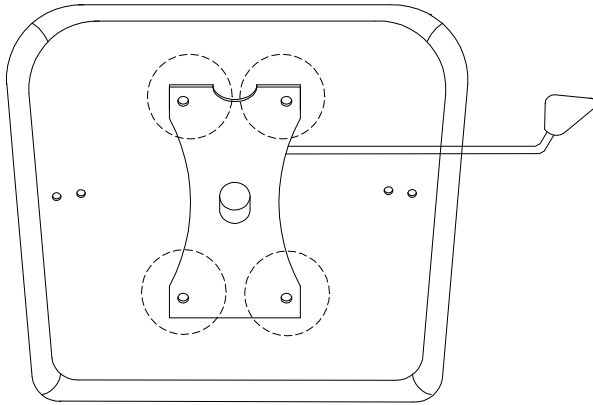
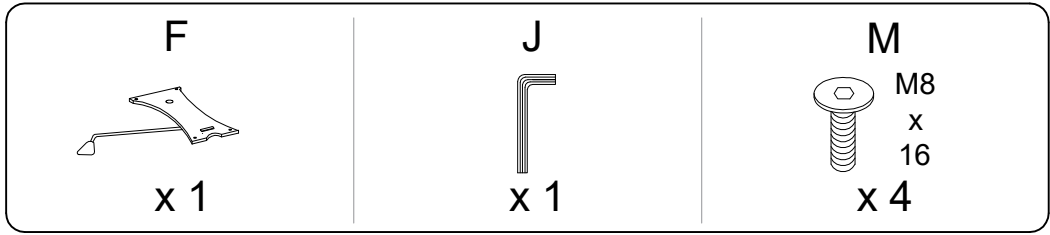
1



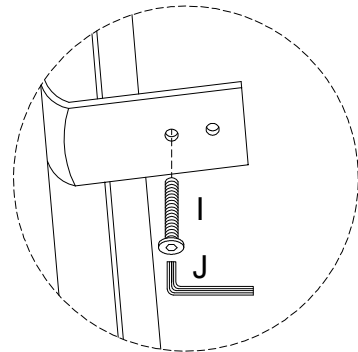
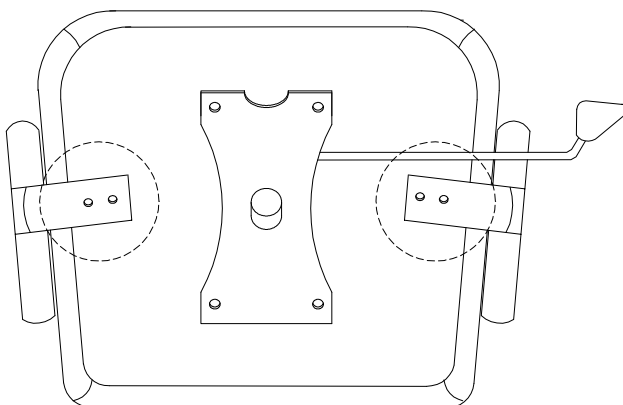
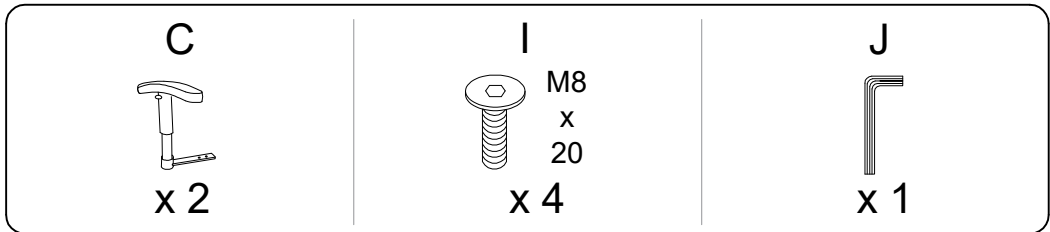
2



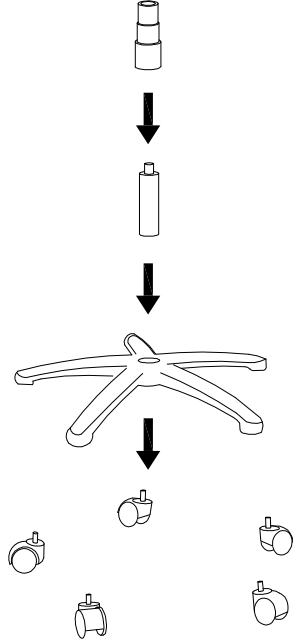
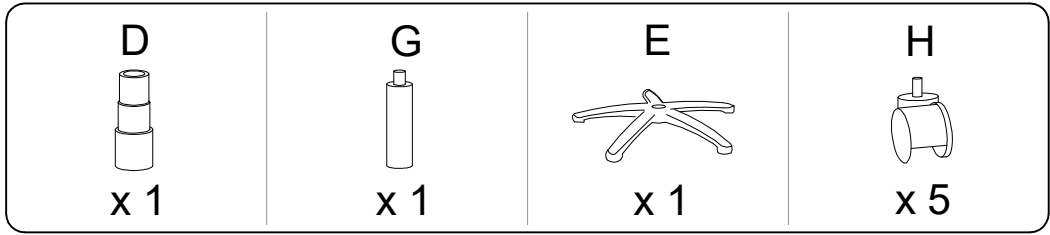
3



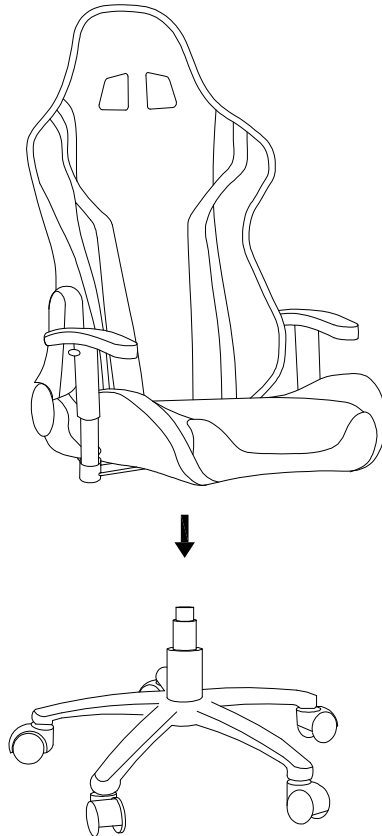
4



5

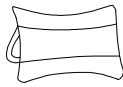


6



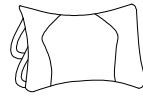
7

N



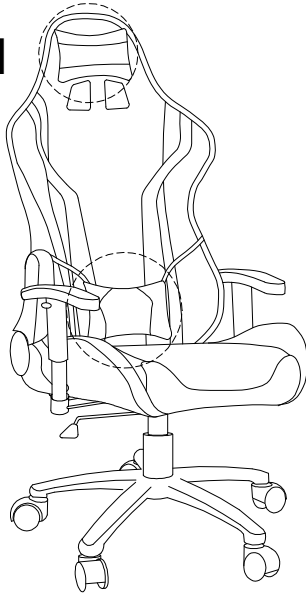
x 1

O



x 1

N



O

