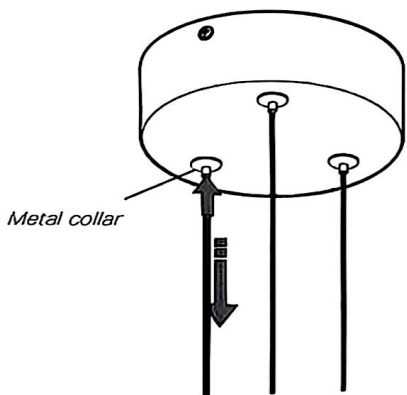


After connecting the wire, put on the flame retardant cap to avoid causing safety risks.



If you need to adjust the height of the chandelier, please press the raised part of the golden circle with your nails. (Figure 2)

Figure 2



After connecting the wire, put on the flame retardant cap to avoid causing safety risks.

