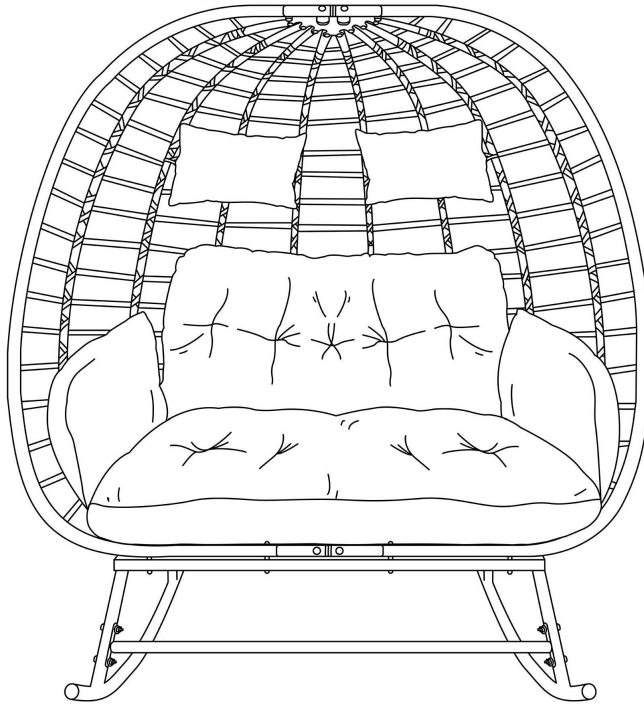


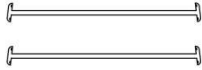
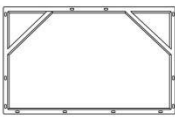







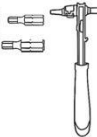
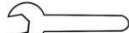

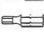


Double Wicker Rocking Chair

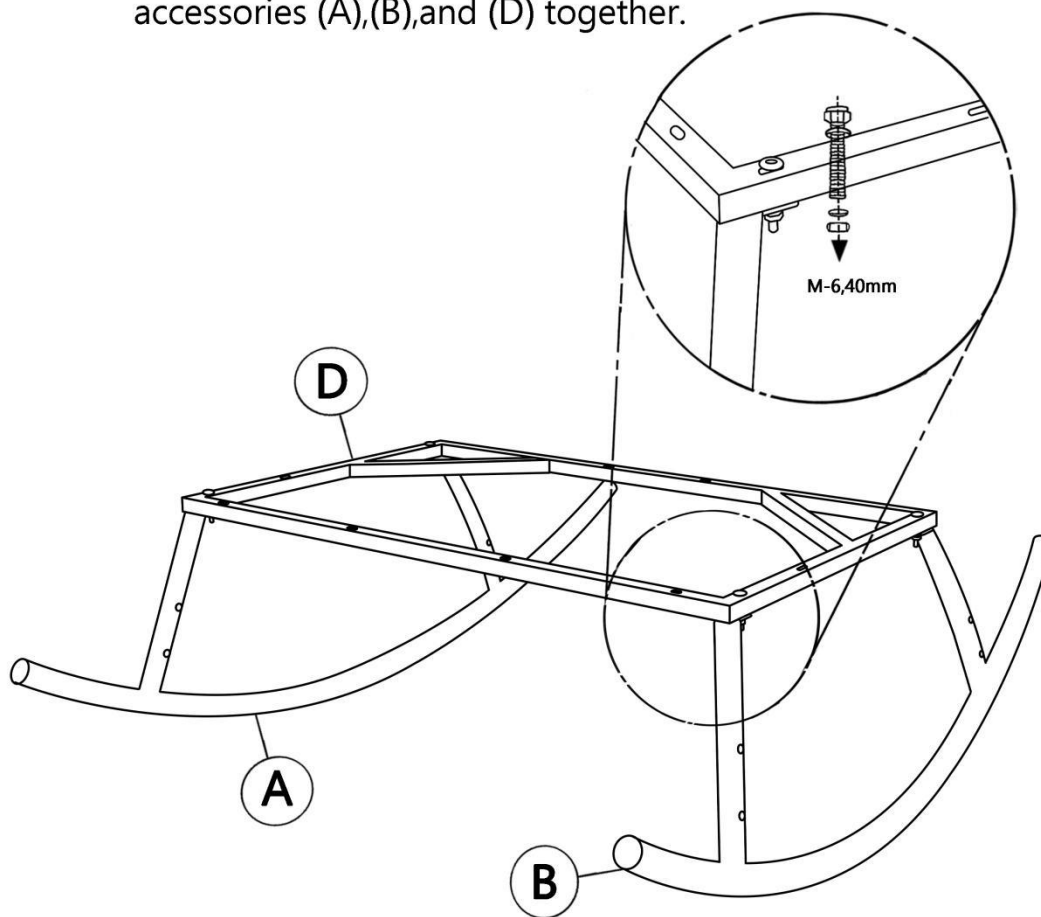
Installation Instructions

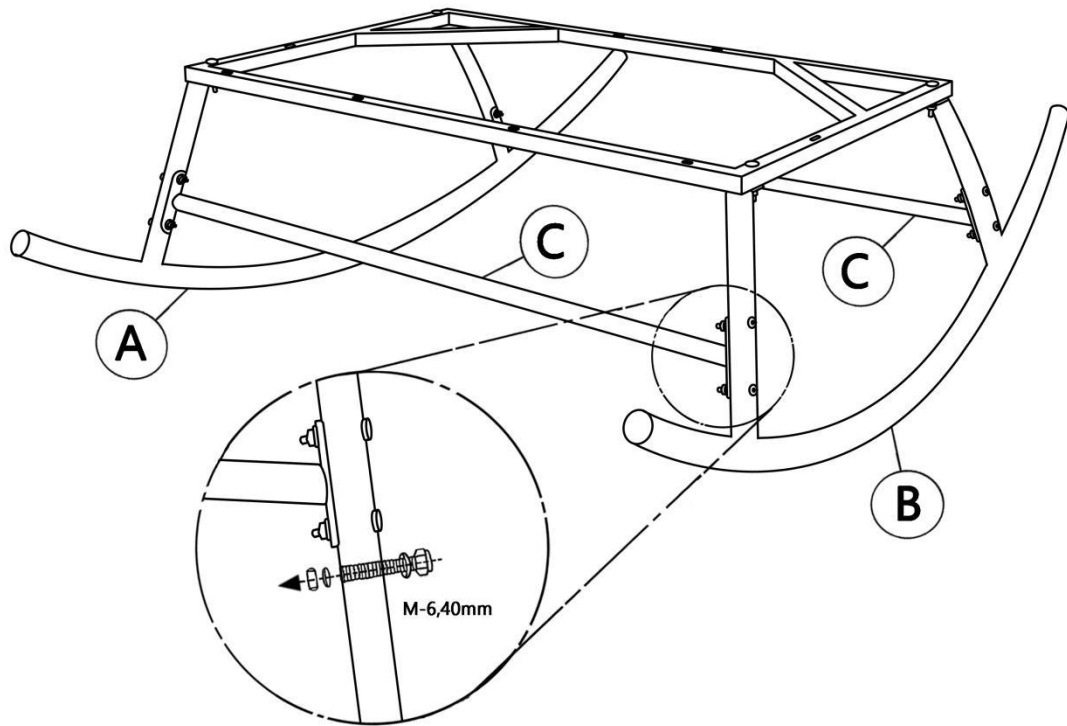


Parts List

Accessories						
	A	1	B	1	C	2
						
	D	1	E	1	F	1
Tools						
	M-6,40mm	16	M-6,55mm	8	M-8,20mm	4
	M-6 		M-8 		M-6 	
	M-8 		M-6 		M-8 	
	Wrench		Hexwrench		Ratchet Wrench	
<p>Tips: Confirm all components are present before installation</p>						

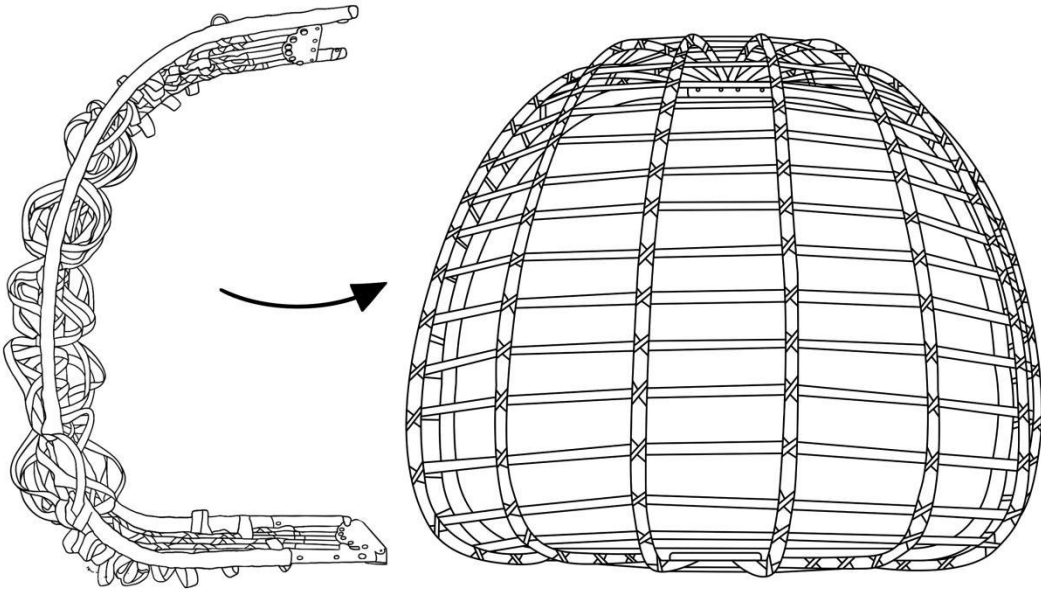
Step 1: Use 4 (M6,40mm) screws to assemble accessories (A),(B),and (D) together.

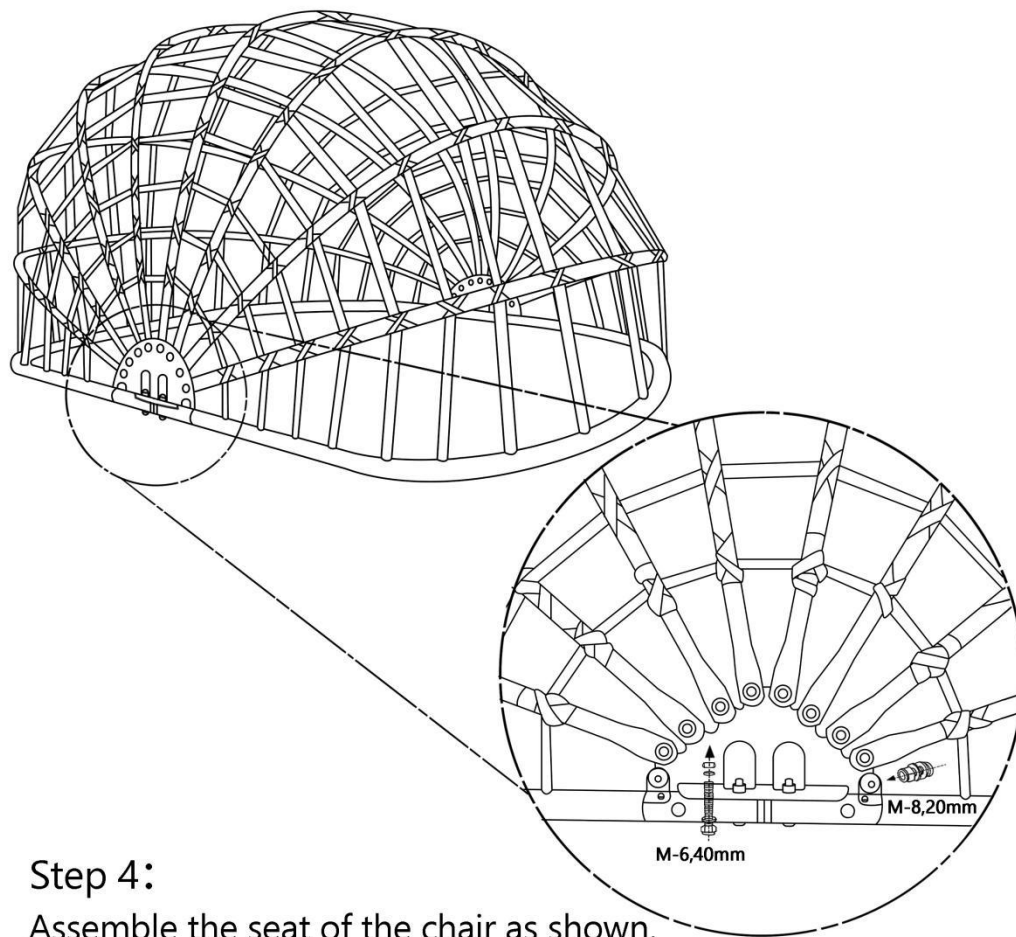




Step 2: Use 8 (M6,40mm) screws to assemble accessories (A),(B),and (C)together.

Step 3: Simply flip the chair base (E) over.





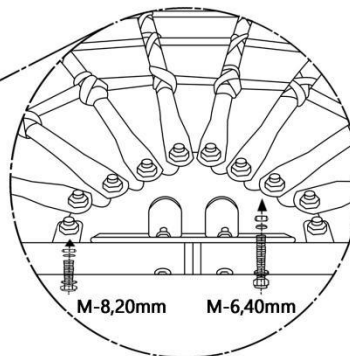
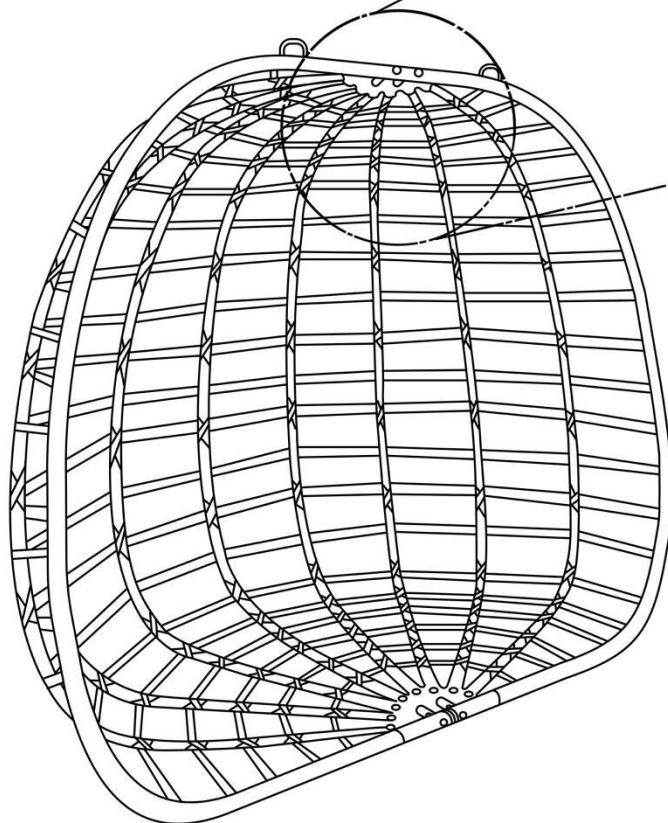
Step 4:
Assemble the seat of the chair as shown.

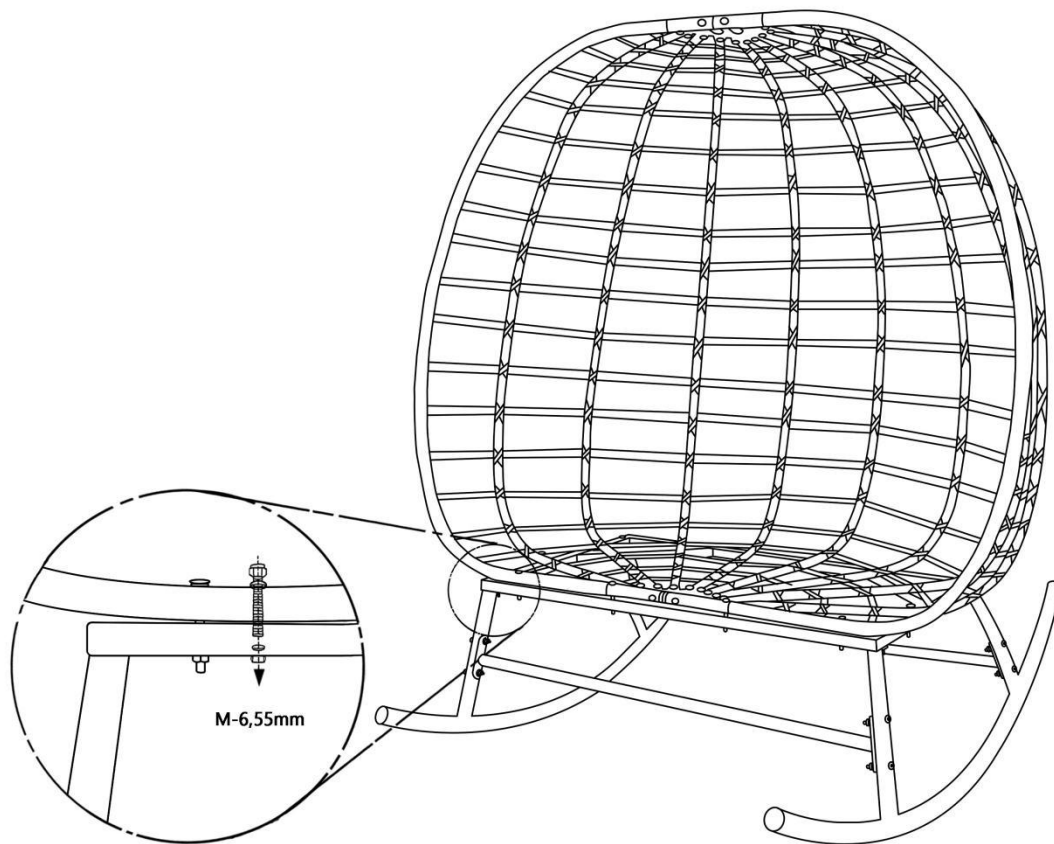
Installation of 2 (M-8,20mm), 2 (M-6,40mm)

Step 5:

Installation of 2 (M-8,20mm)

2 (M-6,40mm)





Step 6:

Use 8 (M6,55mm) screws to secure the basket (E) to the base.

