

# Trouble Shooting

Missing/Damaged pieces/  
Wrong size and installation issues



Contact us with your problem, pic,  
number and qty to the "Contact seller"  
button in the detail page of your order



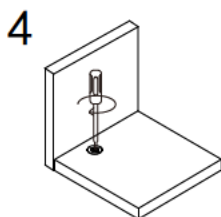
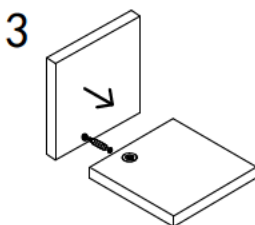
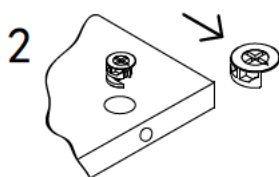
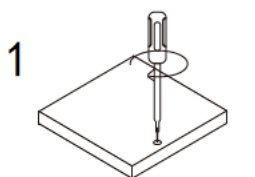
Respond with 24 hours to solve issue

# Before You Start

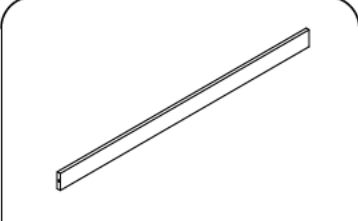
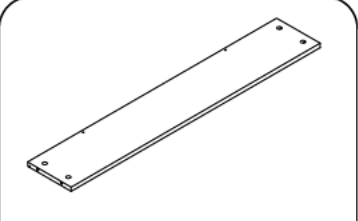
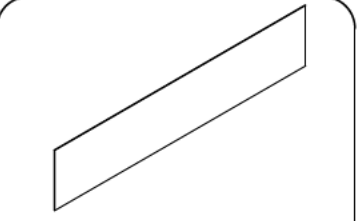
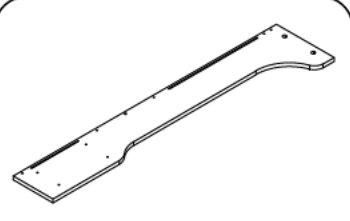
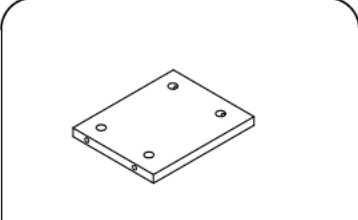
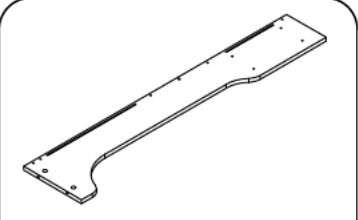
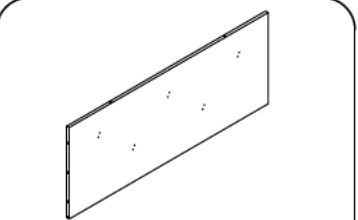
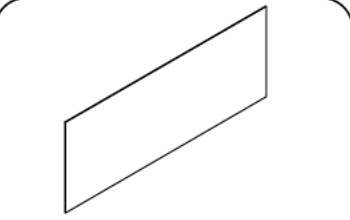
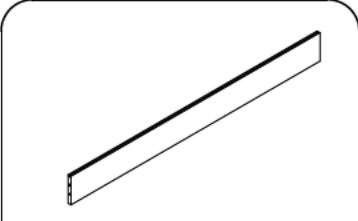
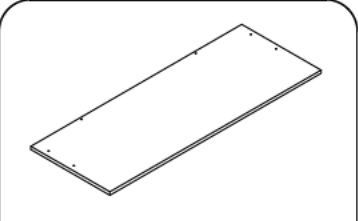
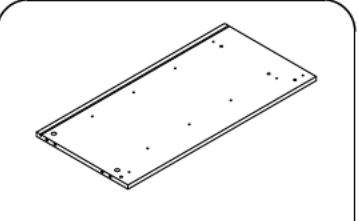
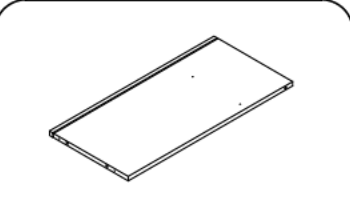
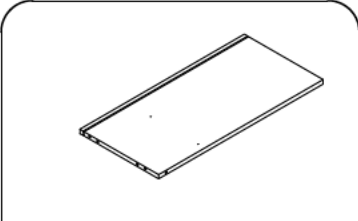
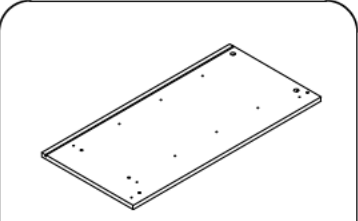
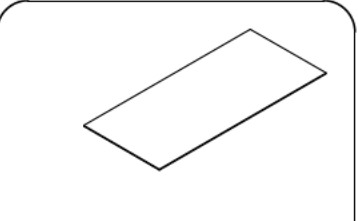
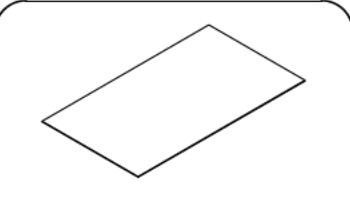
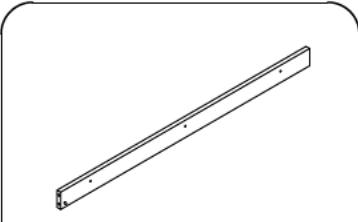
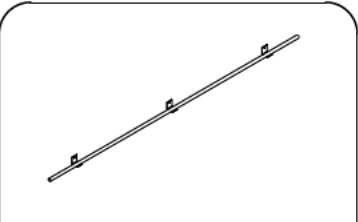
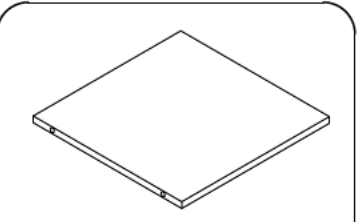
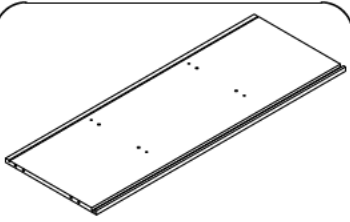
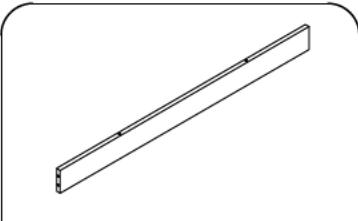
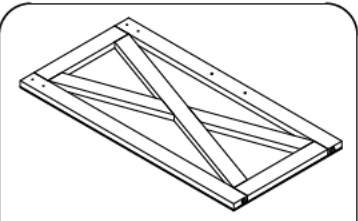
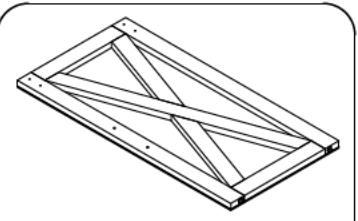
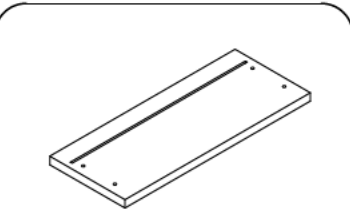
1. Read through each step carefully and follow the proper order
2. Separate and count all your parts and hardware
3. Give yourself enough room for the assembly process
4. Caution: If using a power drill or power screwdriver for screwing, please be aware to slow down and stop when screw is tight. Failure to do so may result in stripping the screw

## Cam Lock Fastening System

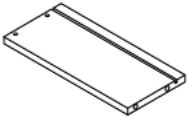
This Cam Lock Fastening System will be used throughout the assembly process



# Parts List

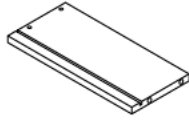
							
1	1PC	2	2PC	3	1PC	4	1PC
							
5	1PC	6	1PC	7	1PC	8	1PC
							
9	1PC	10	1PC	11	1PC	12	1PC
							
13	1PC	14	1PC	15	2PC	16	1PC
							
17	1PC	18	1PC	19	6PC	20	1PC
							
21	1PC	22	1PC	23	1PC	24	1PC

# Parts List



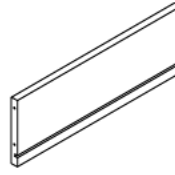
25

1PC



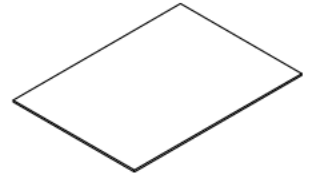
26

1PC



27

1PC



28

1PC

# Hardware List



A

78PC



Ø15

B

36PC



Ø8\*30mm

C

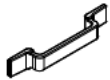
20PC



Ø4\*40mm

D

8PC



E

2PC



Ø3\*12mm

F

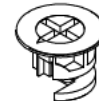
8PC



M4\*22mm

G

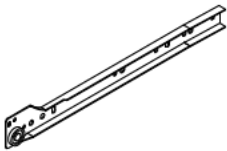
4PC



Ø12

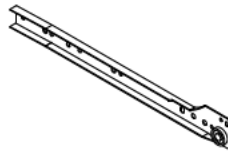
H

42PC



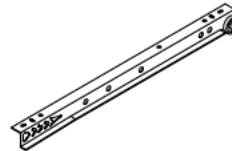
I

1PC



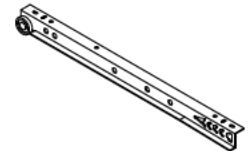
J

1PC



K

1PC



L

1PC



M

4PC



Ø4\*14mm

N

11PC



O

4PC



Ø3\*14MM

P

14PC



Q

7PC



Ø6\*30mm

R

4PC

Note: Don't tighten all screws during installation

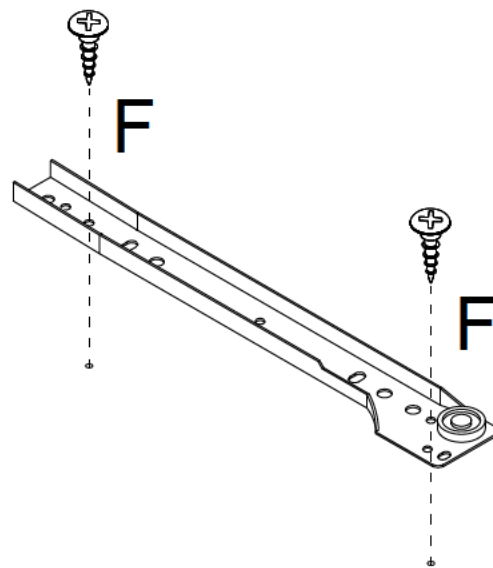
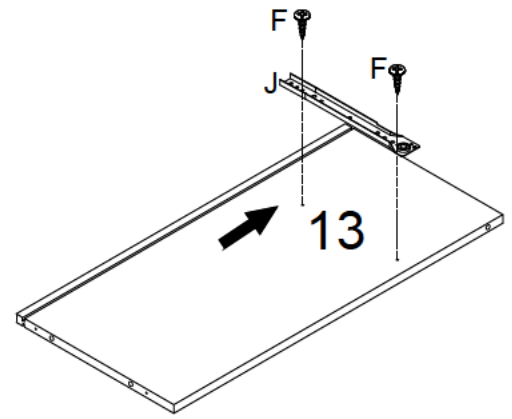
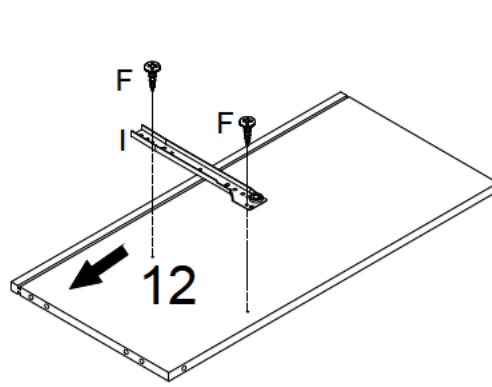
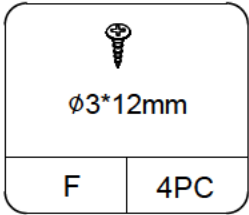
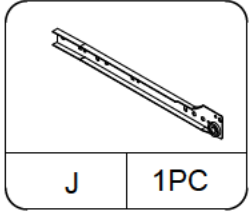
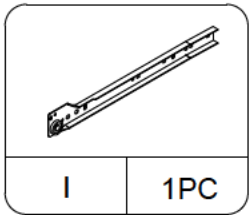
Check all the components & screws before assembly.

Do not install in case part is missing, contact us to get.

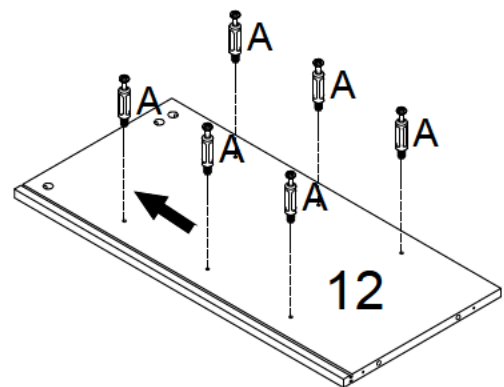
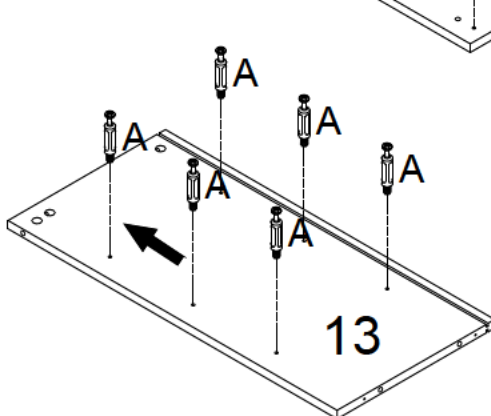
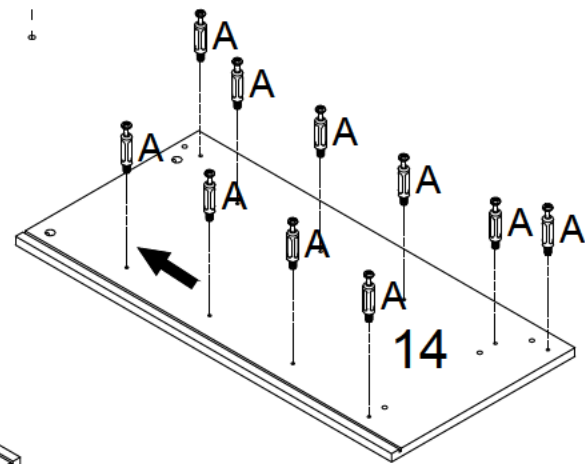
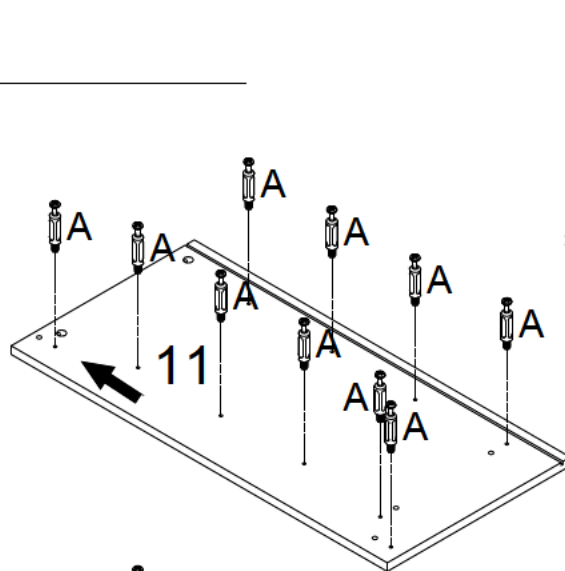
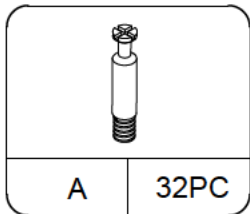
Contact us with your problem to "Contact seller" button in the detail page of your order

We will respond within 24 hours

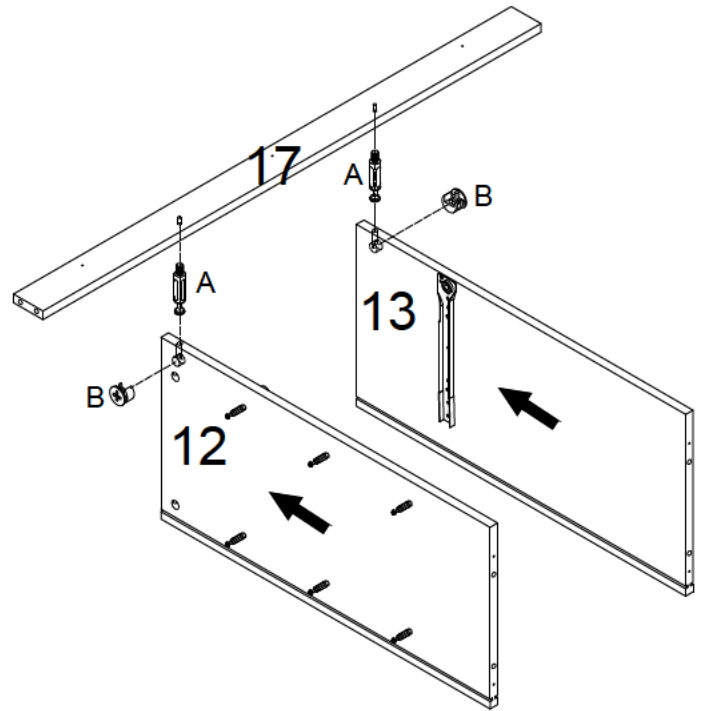
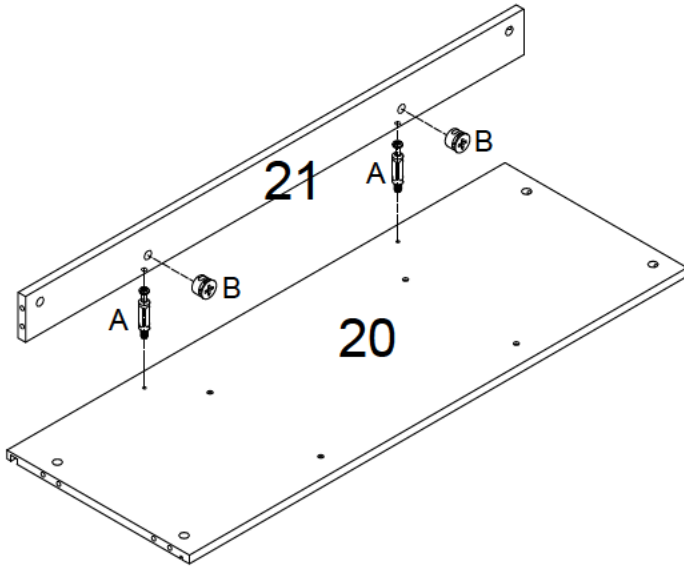
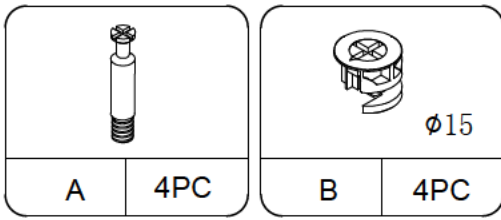
# STEP 1



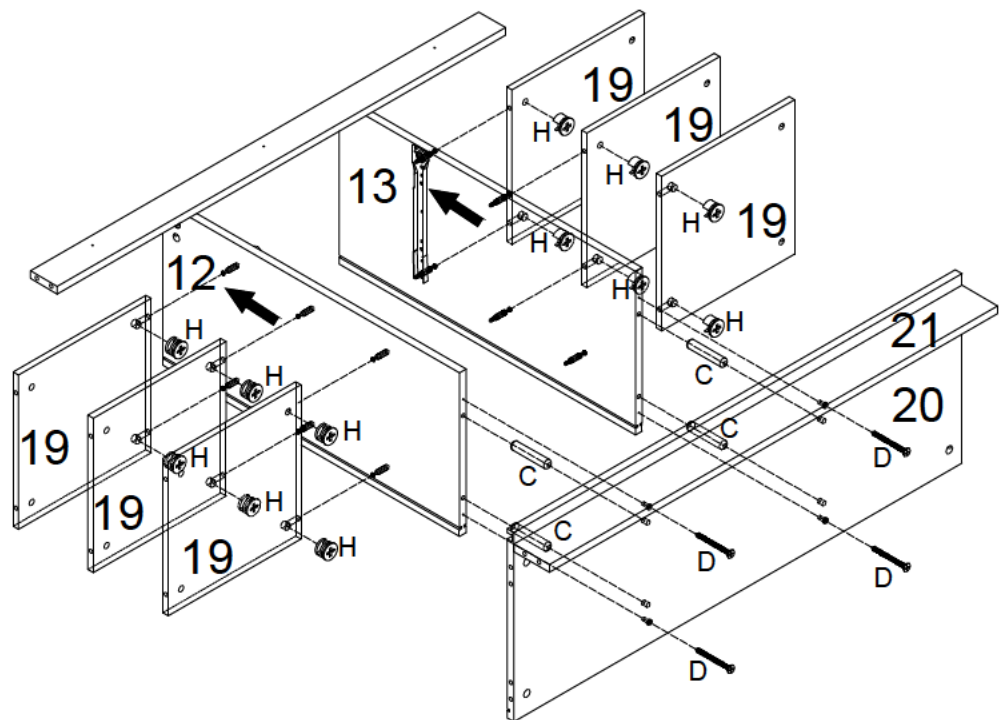
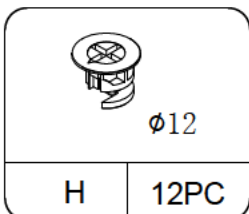
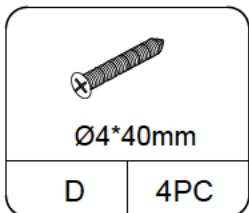
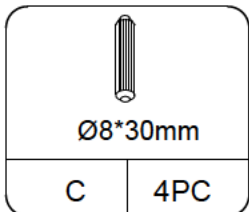
# STEP 2



# STEP 3



# STEP 4



# STEP 5



**Important**  
 2 people required  
 2 personnes requises  
 2 personas requeridas

Ø15

B	8PC
---	-----

Ø8\*30mm

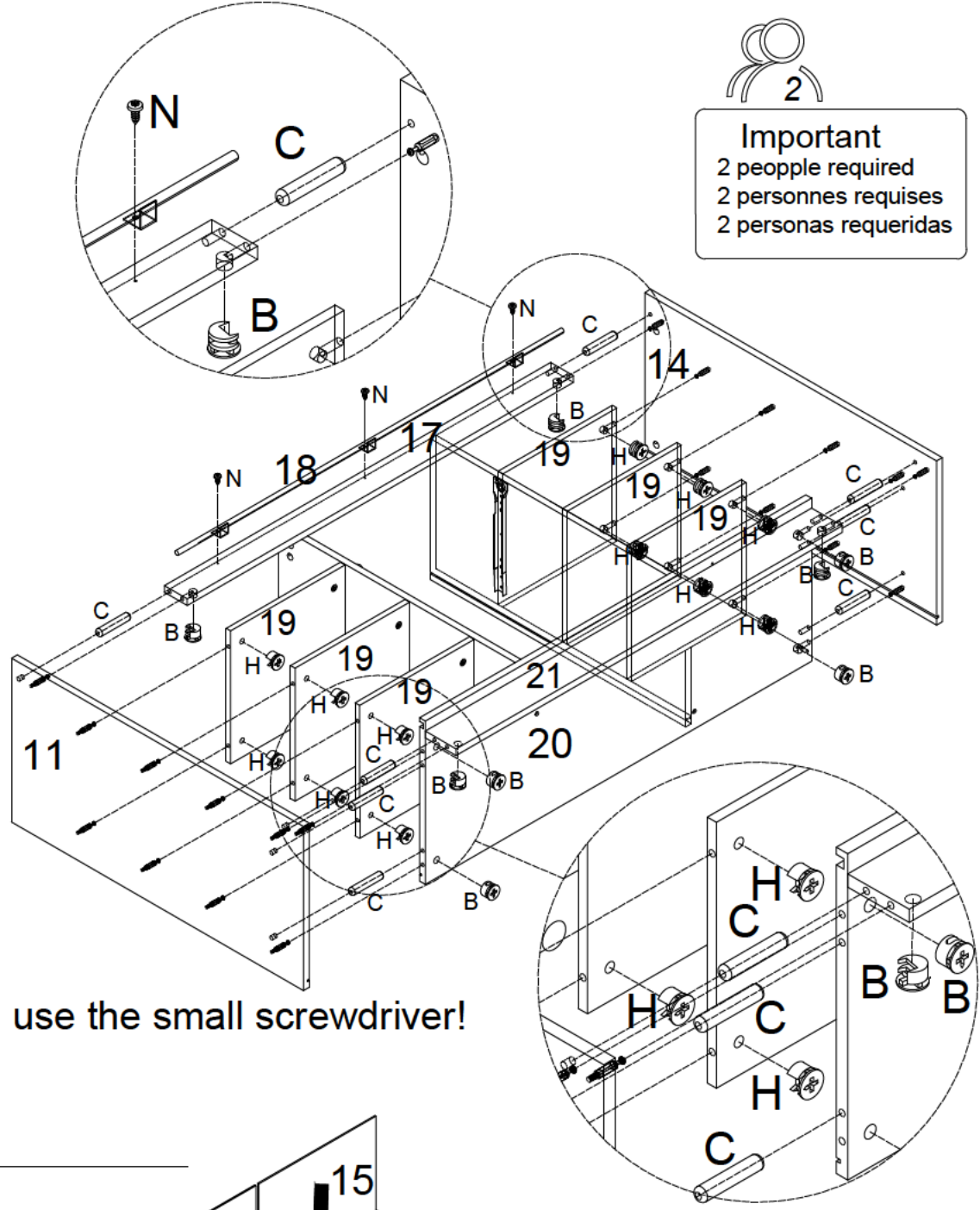
C	8PC
---	-----

Ø12

H	12PC
---	------

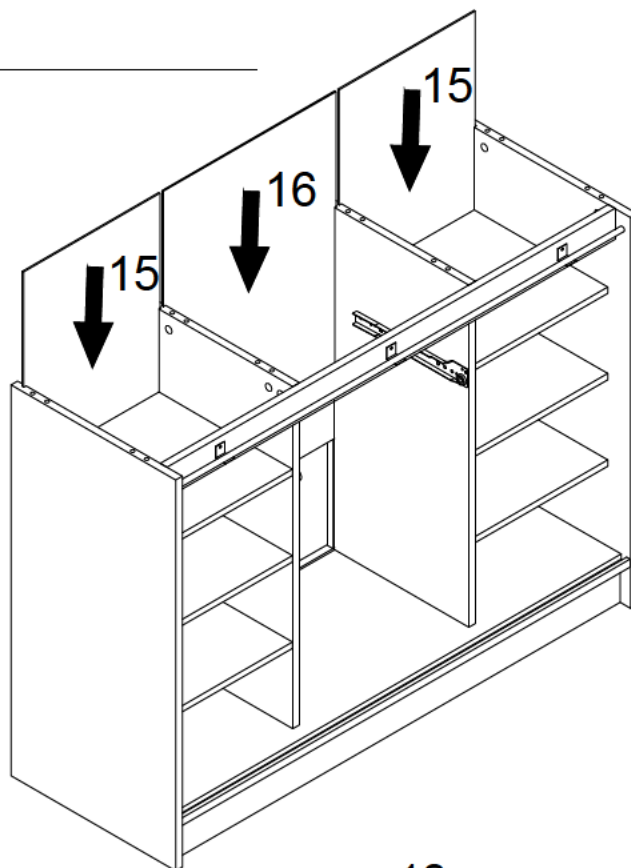
Ø4\*14mm

N	3PC
---	-----

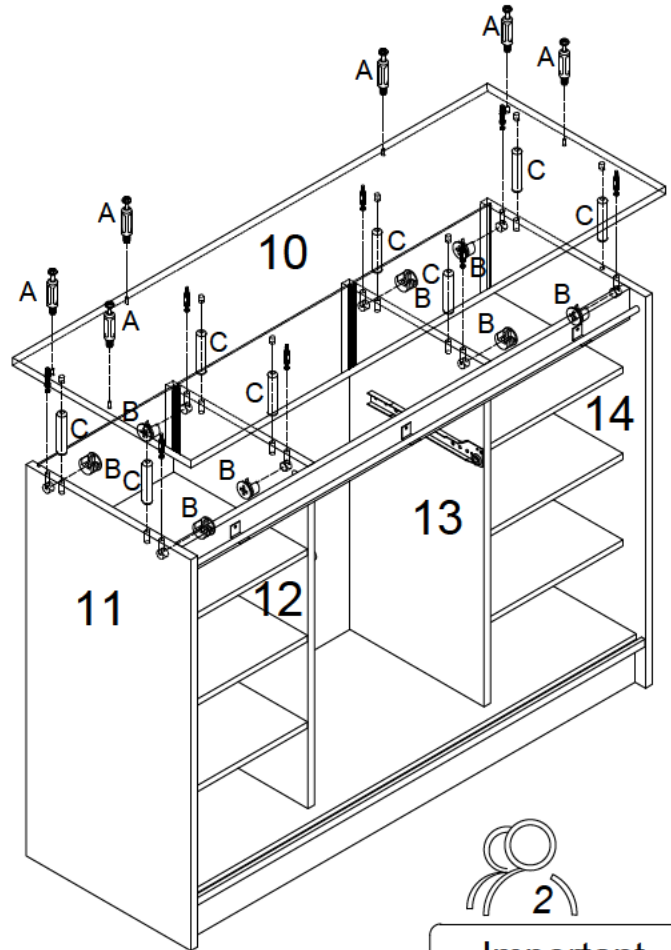
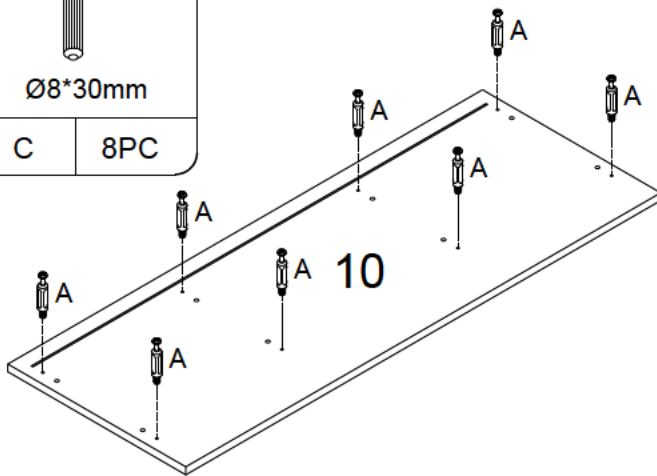
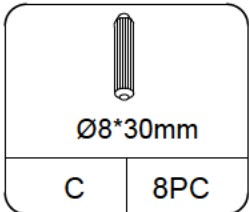
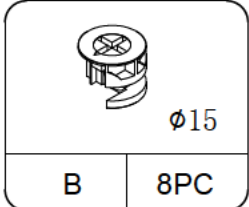
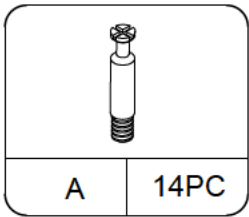


please use the small screwdriver!

# STEP 6

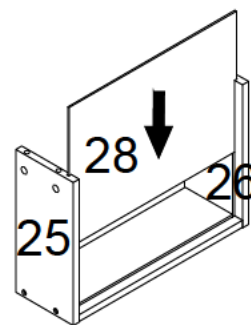
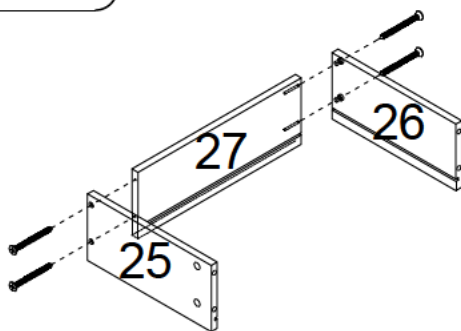
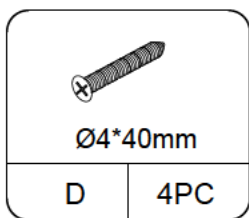


# STEP 7



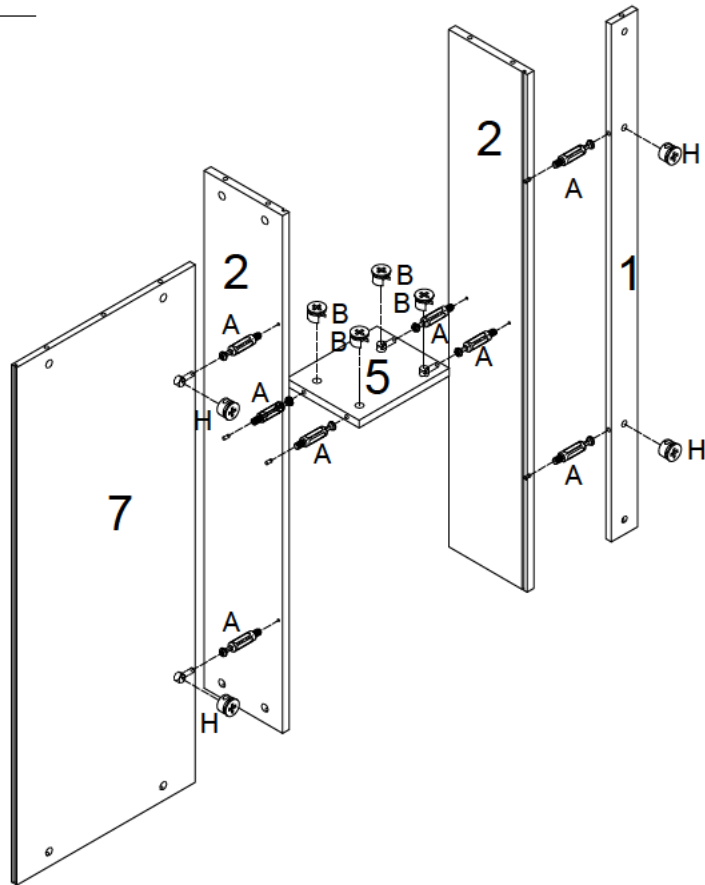
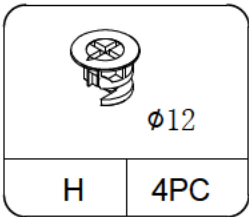
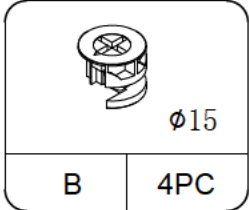
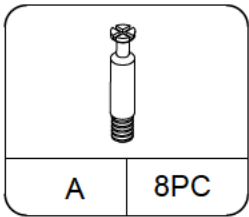
**Important**  
 2 people required  
 2 personnes requises  
 2 personas requeridas

# STEP 8

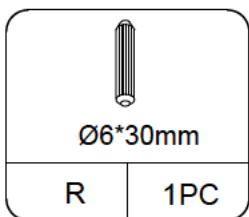
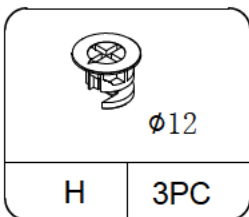
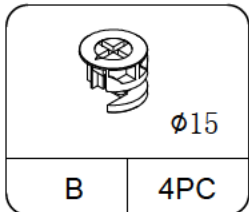




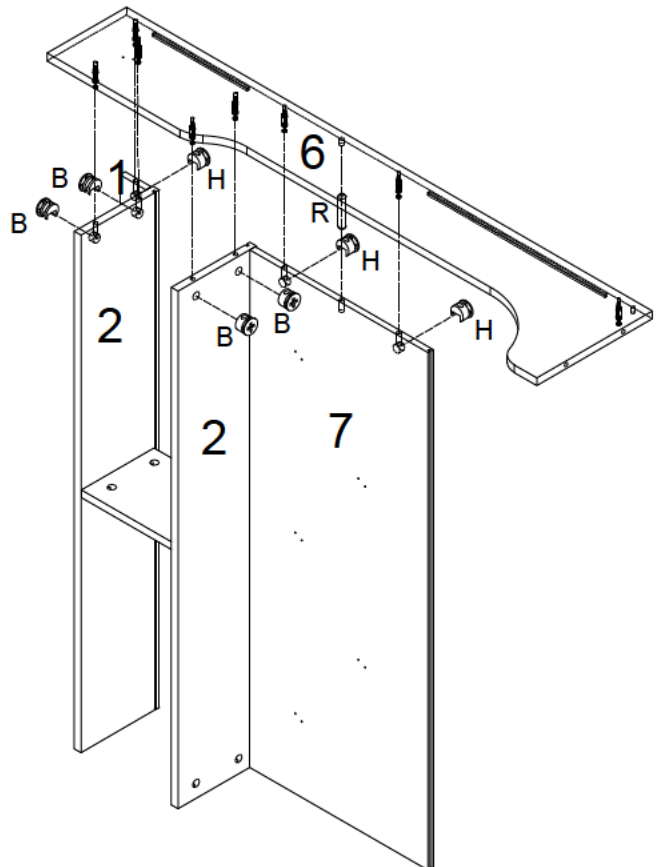
# STEP 12



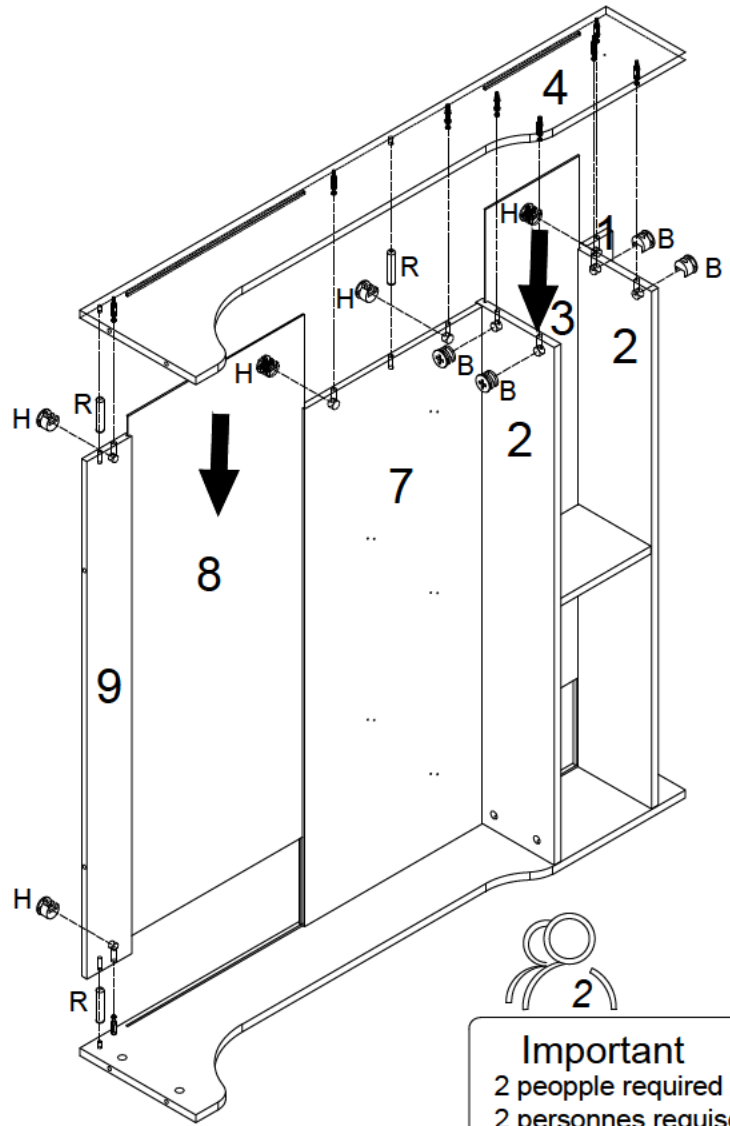
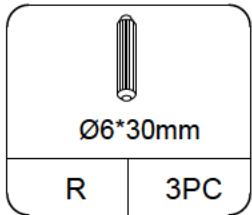
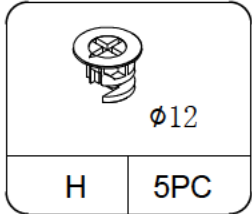
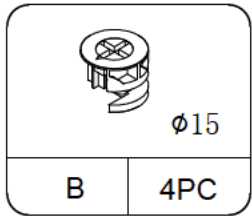
# STEP 13



**Important**  
 2 people required  
 2 personnes requises  
 2 personas requeridas

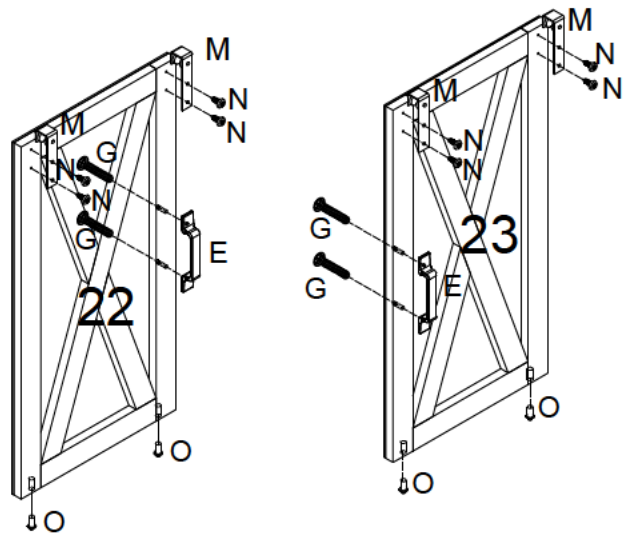
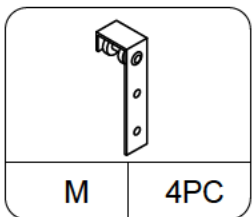
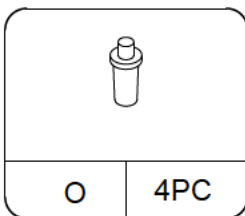
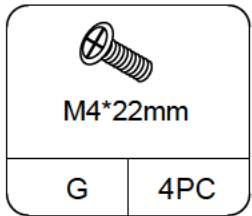
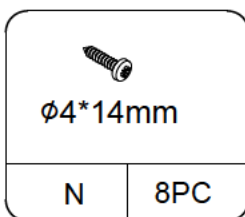
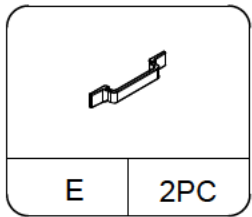


# STEP 14

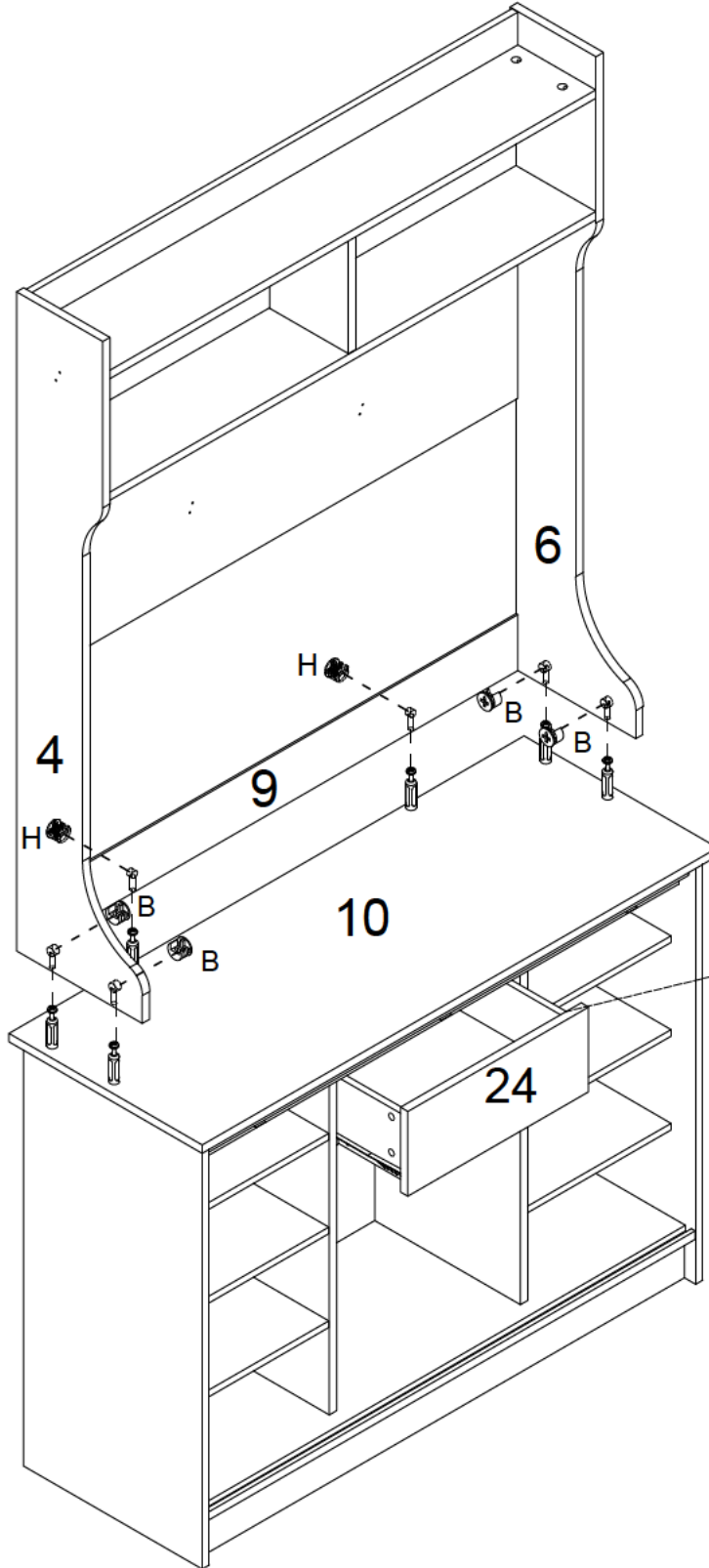
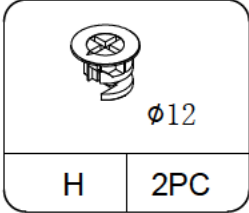
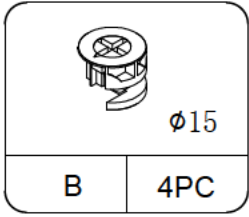


**Important**  
 2 people required  
 2 personnes requises  
 2 personas requeridas

# STEP 15

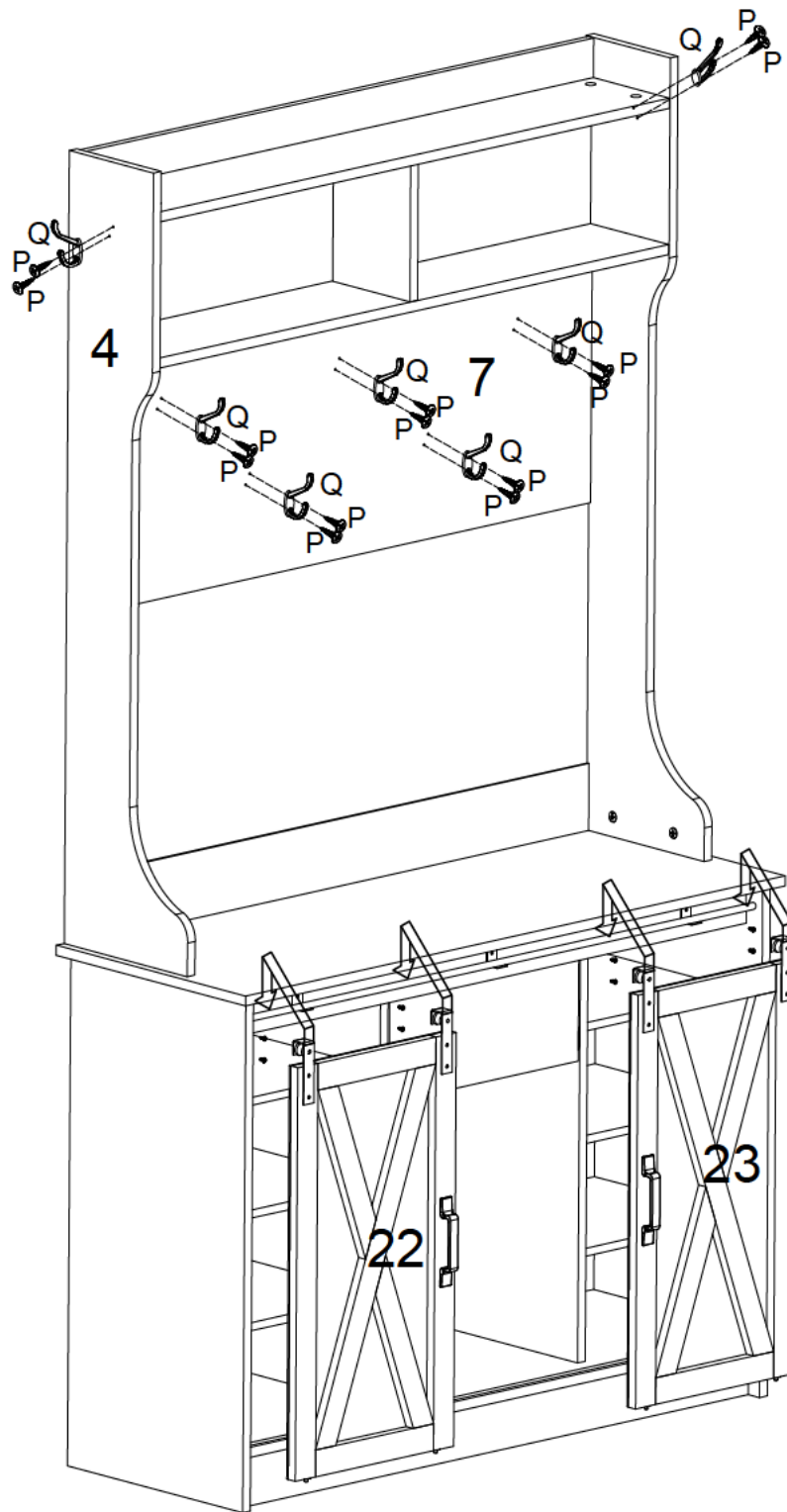
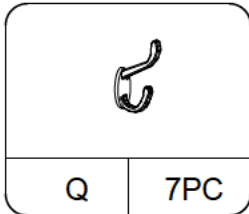
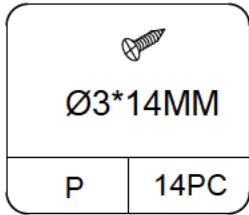


# STEP 16



**Important**  
2 people required  
2 personnes requises  
2 personas requeridas

# STEP 17



Please Make sure every screw is locked