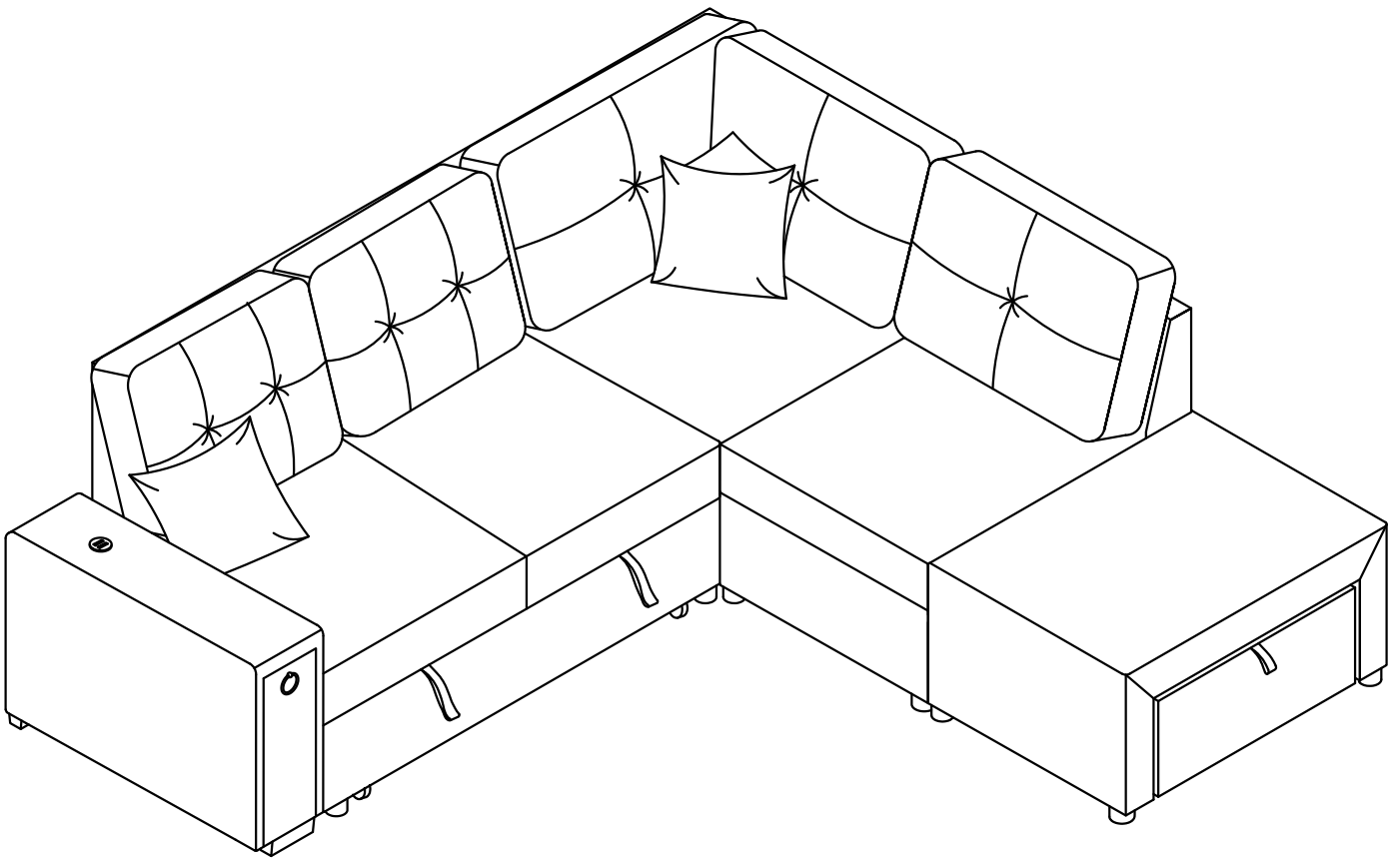
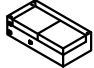
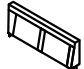
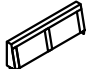









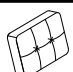
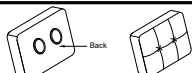

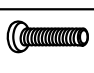




# ASSEMBLY INSTRUCTION




## COMPONENT LIST

NO.	DRAWING	QTY	DESCRIPTION
A		1	Chaise Body
E		1	Chaise Backrest
J		1	Loveseat Backrest
I		1	Corner Backrest
F1		1	Back Cushion
K		1	Short Corner Back Cushion
L		1	Long Corner Back Cushion
M		2	Pillows
B		8	Round legs


## COMPONENT LIST

NO.	DRAWING	QTY	DESCRIPTION
D		1	Loveseat Body
F2		1	Back Cushion
H		1	Back Cushion with plastic cup
N		2	Square Leg
O		4	Bolt Ø5/16"x50MM
P		1	Allen key
Q		16	Bolt Ø1/4"x20MM
R		8	Wheel
B		4	Round legs

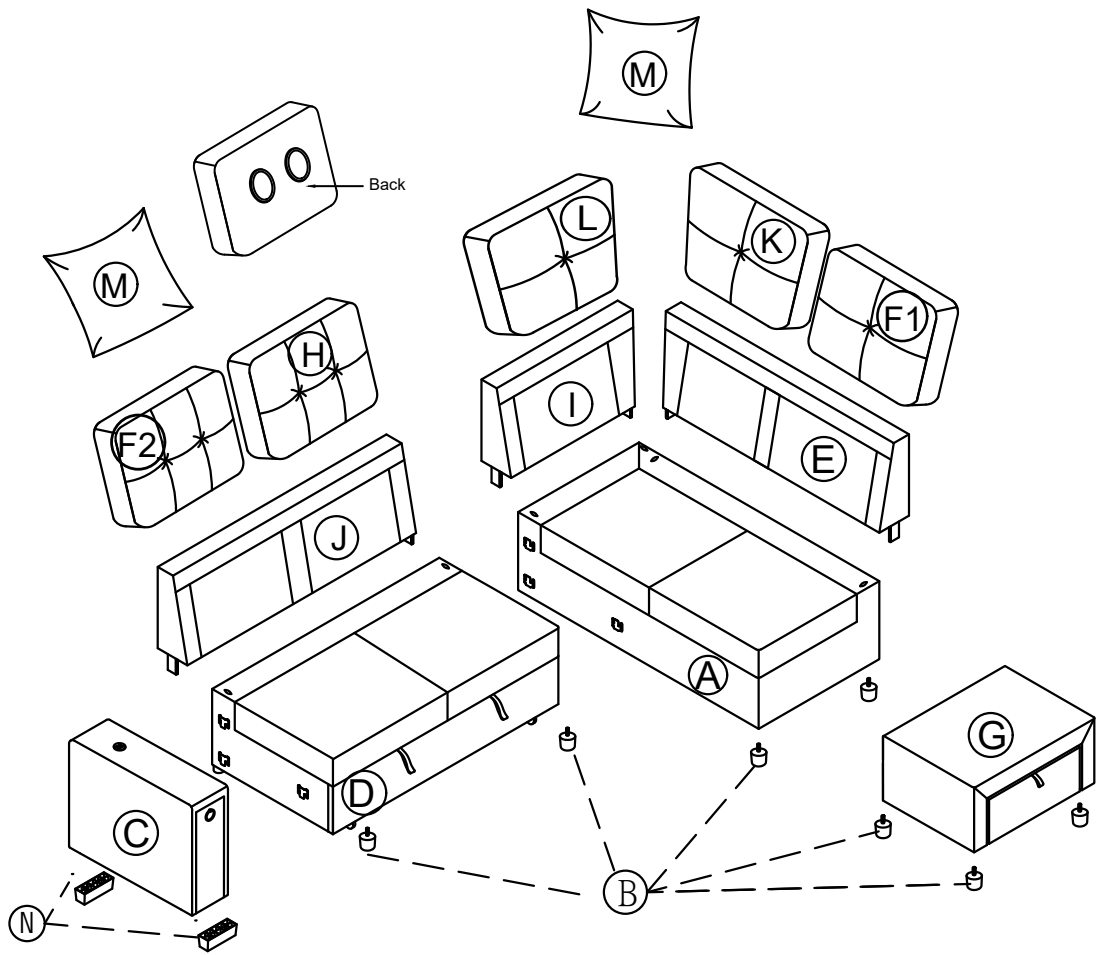
## COMPONENT LIST

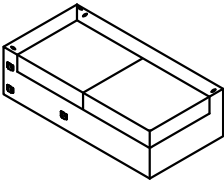
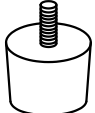
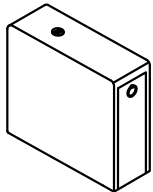
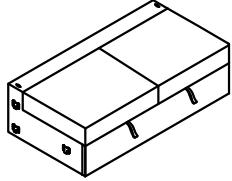
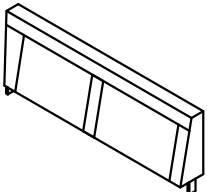
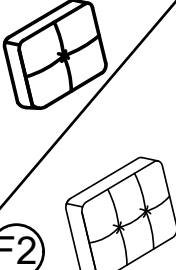
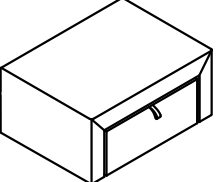
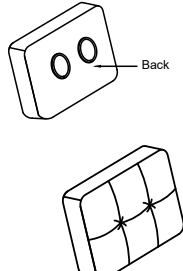
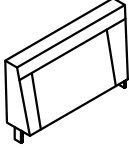
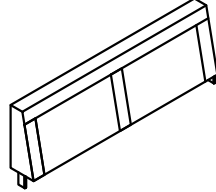
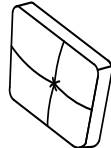
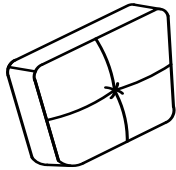
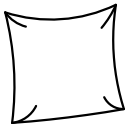
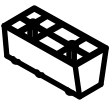



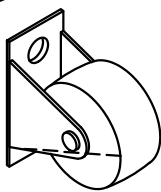
NO.	DRAWING	QTY	DESCRIPTION
G		1	Ottoman

## COMPONENT LIST

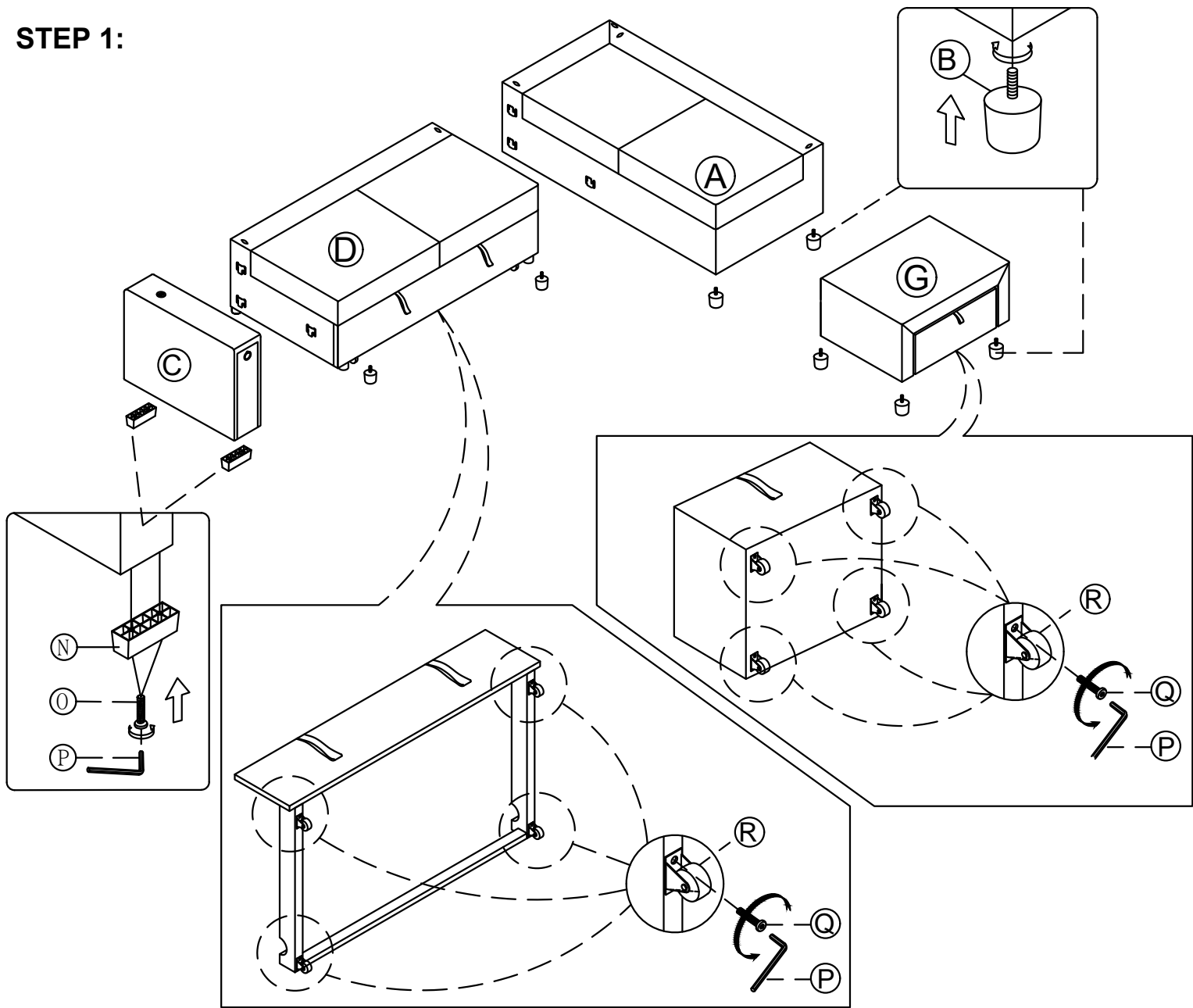
NO.	DRAWING	QTY	DESCRIPTION
C		1	Arm

# PARTS LIST

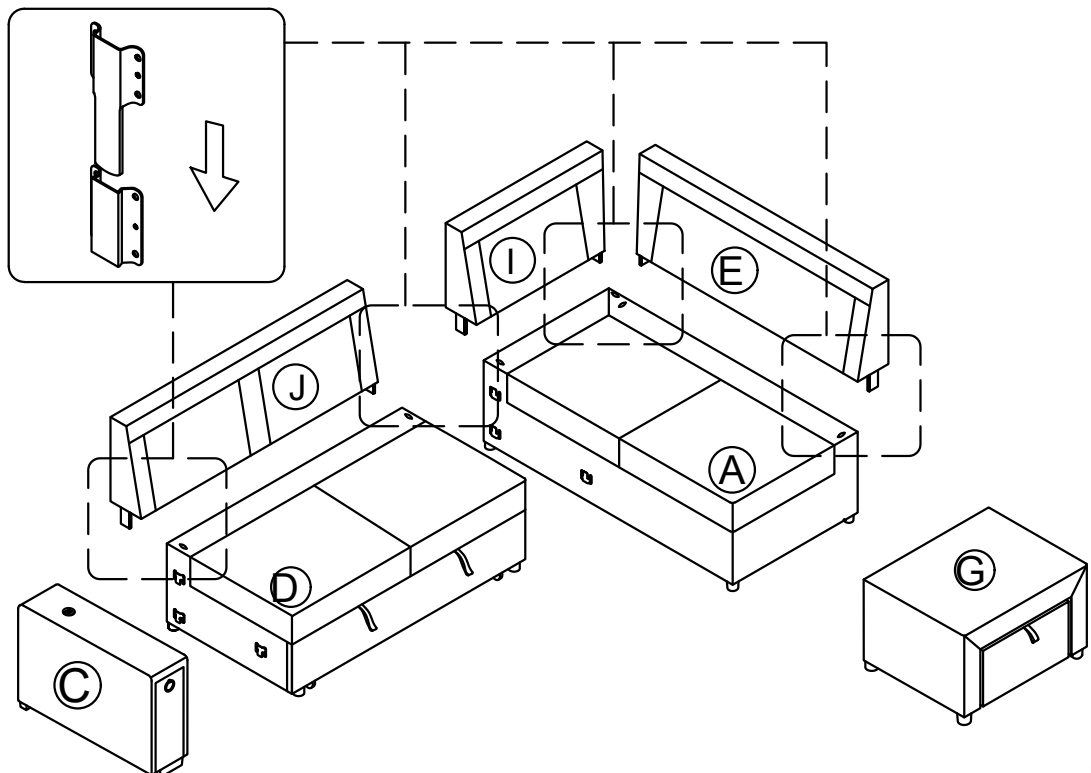


 <p><b>A</b></p>	 <p><b>B</b></p>	 <p><b>C</b></p>	 <p><b>D</b></p>	 <p><b>E</b></p>	 <p><b>F1</b> <b>F2</b></p>
<p>Chaise Body X 1PC</p>	<p>Round legs X 12PCS</p>	<p>Arm X 1PC</p>	<p>Loveseat Body X 1PC</p>	<p>Chaise Backrest X 1PC</p>	<p>Back Cushion X 2PCS</p>
 <p><b>G</b></p>	 <p><b>H</b></p>	 <p><b>I</b></p>	 <p><b>J</b></p>	 <p><b>K</b></p>	 <p><b>L</b></p>
<p>Ottoman X 1PC</p>	<p>Back Cushion with plastic cup X 1PC</p>	<p>Corner Backrest X 1PC</p>	<p>Loveseat Backrest X 1PC</p>	<p>Short Corner Back Cushion X 1PC</p>	<p>Long Corner Back Cushion X 1PC</p>
 <p><b>M</b></p>	 <p><b>N</b></p>	 <p><b>O</b></p>	 <p><b>P</b></p>	 <p><b>Q</b></p>	 <p><b>R</b></p>
<p>Pillow X 2PCS</p>	<p>Square Leg X 2PCS</p>	<p>Bolt Ø5/16"x50MM X 4 PCS</p>	<p>Allen key X 1PC</p>	<p>Bolt Ø1/4"x20MM X 16 PCS</p>	<p>Wheel X 8 PCS</p>

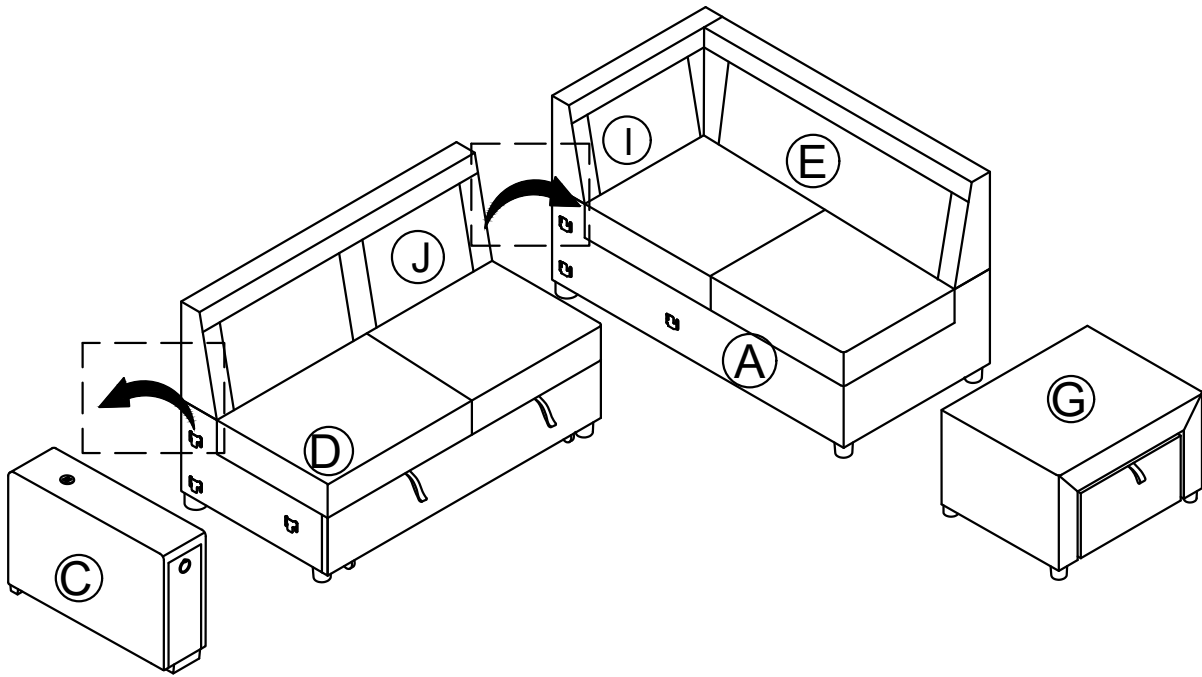
**STEP 1:**



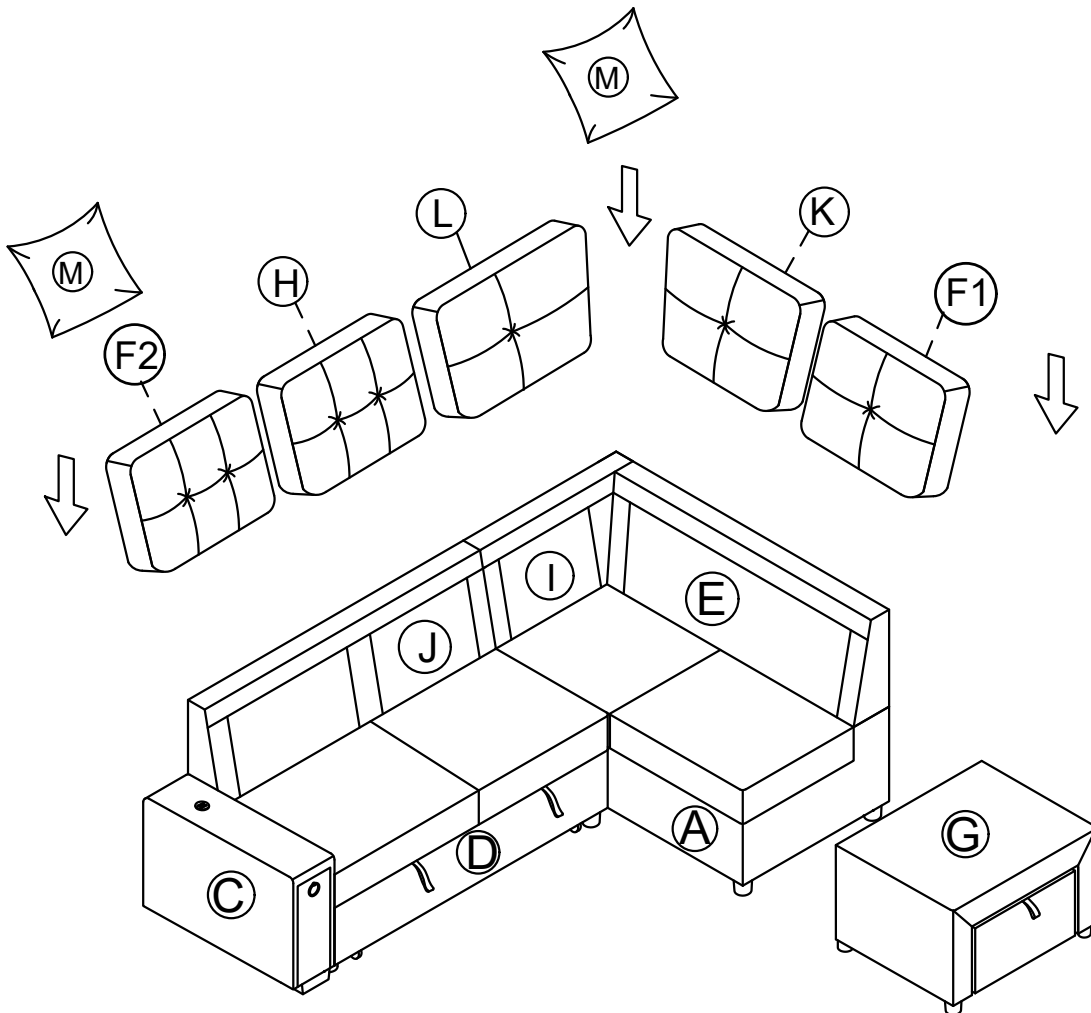
**STEP 2:**



**STEP 3:**



**STEP 4 :**



# Helpful Hints

- Sectional sofa can transform into a sleeper
- Move your new furniture carefully, with two people lifting and carrying the unit to its new location.
- Your furniture can be disassembled and reassembled to move.
- Clean the product with a soft damp cloth. DO NOT use harsh chemicals or abrasive cleaners.

## COMPLETED

