

# NEWPORT CAPTAIN'S BOOKCASE HEADBOARD

ATLANTIC

## ASSEMBLY INSTRUCTIONS

( TWIN, FULL )



Phillips Head  
Screwdriver



Customer Supplied

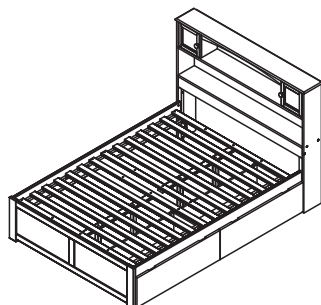
Before assembling your Newport Captain's bookcase Headboard, please read through these instructions carefully and familiarize yourself with the different parts.

Please note that you will require a Phillips Head Screwdriver and an Allen wrench.

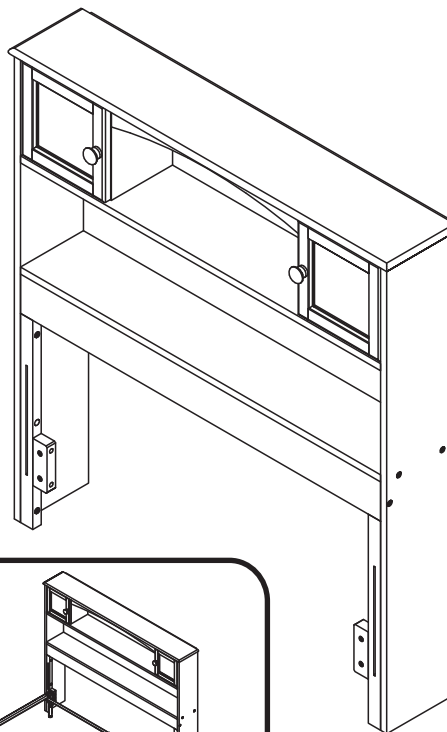
**ATTENTION!** If you receive a damaged or defective item, please contact Atlantic Furniture at [service@atlanticfurniture.com](mailto:service@atlanticfurniture.com) 1-800-955-3726 / M-F 9:00-5:00 EST



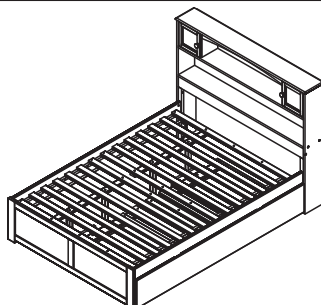
Adult Assembly



NEWPORT BOOKCASE BED WITH BED DRAWER



NEWPORT BOOKCASE HEADBOARD WITH METAL FRAME



NEWPORT BOOKCASE BED WITH TRUNDLE BED

### HEADBOARD HARDWARE

NOTE: WE INCLUDE SPARE HARDWARE IN CASE THE ALLEN WRENCH, JCB, WOODEN DOWEL, WASHER OR WOOD SCREW ARE DAMAGED DURING ASSEMBLY.

**A** JCB M6 X 1 2/8"(30mm) - 4 pcs  
Spare - 1 pc

**B** JCB M6 X 1 1/2"(35mm) - 6 pcs  
Spare - 1 pc

**C** JCB M6 X 2"(50mm) - 4 pcs  
Spare - 1 pc

**D** WOODEN DOWEL 10 X 30mm - 4 pcs  
Spare - 1 pc

**E** WOODEN DOWEL 8 X 30mm - 12 pcs  
Spare - 1 pc

**F** METAL L-BRACKET - 3 pcs

**G** WOOD SCREW 1/2" - 6 pcs  
Spare - 1 pc

**H** WOOD SCREW 1 1/2" - 4 pcs  
Spare - 1 pc

**I** WOODEN PULL - 2 pcs

**J** WOODEN PULL SCREW - 2 pcs

**K** JCB M6 X 1"(25mm) - 6 pcs  
Spare - 1 pc

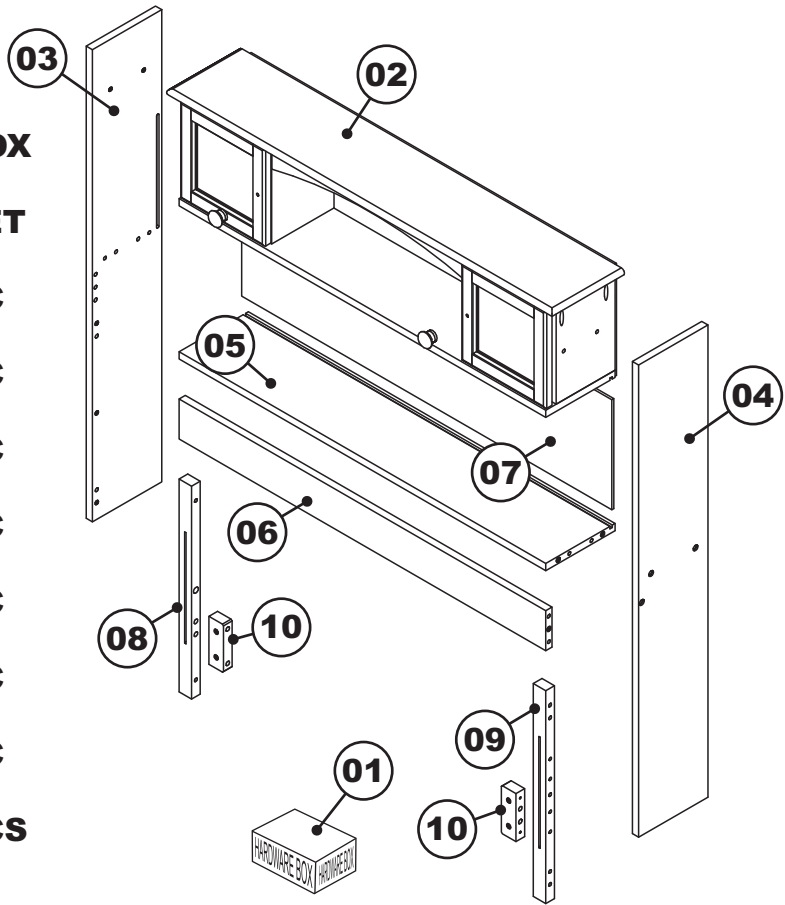
**L** SPLIT WASHER - 4 pcs  
Spare - 1 pc

**M** FLAT WASHER - 4 pcs  
Spare - 1 pc

**N** ALLEN WRENCH - 1 pc  
Spare - 1 pc

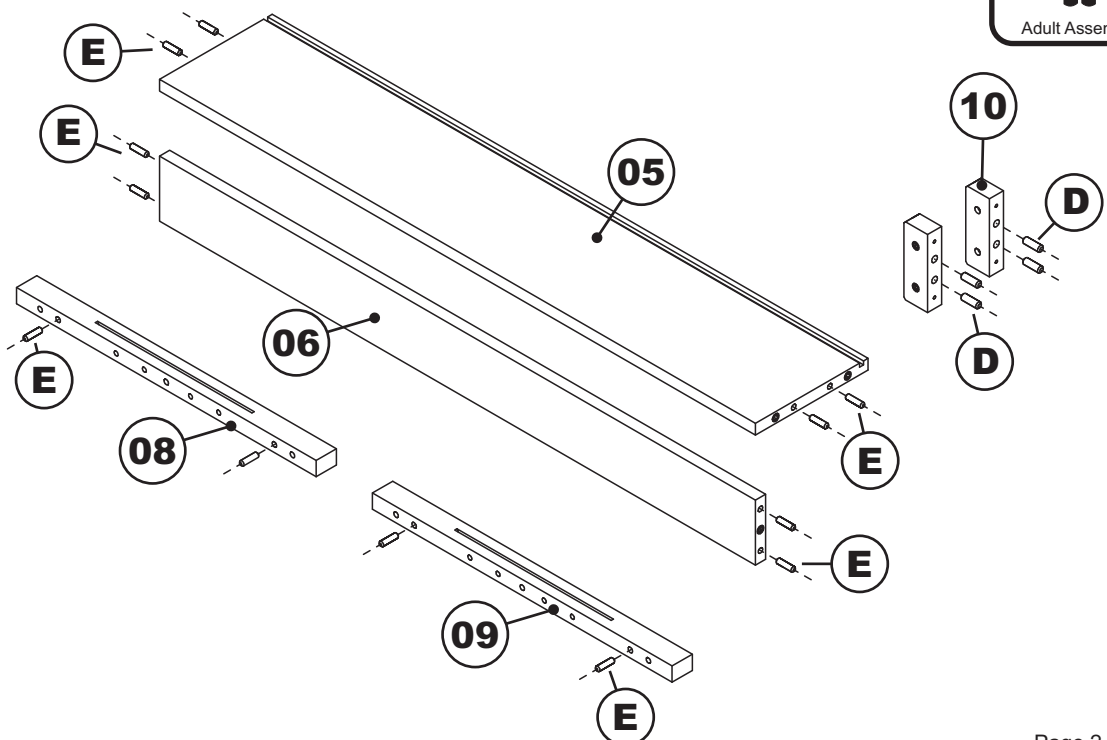
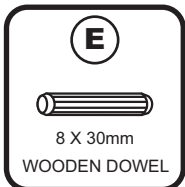
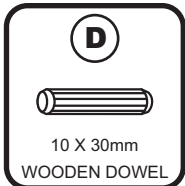
# HEADBOARD PARTS LIST

- |           |                         |              |
|-----------|-------------------------|--------------|
| <b>01</b> | <b>HARDWARE</b>         | <b>1 BOX</b> |
| <b>02</b> | <b>TOP STORAGE</b>      | <b>1 SET</b> |
| <b>03</b> | <b>LEFT SIDE PANEL</b>  | <b>1 PC</b>  |
| <b>04</b> | <b>RIGHT SIDE PANEL</b> | <b>1 PC</b>  |
| <b>05</b> | <b>LOWER SHELF</b>      | <b>1 PC</b>  |
| <b>06</b> | <b>PILLOW STOP</b>      | <b>1 PC</b>  |
| <b>07</b> | <b>BACK PANEL</b>       | <b>1 PC</b>  |
| <b>08</b> | <b>LEFT POST</b>        | <b>1 PC</b>  |
| <b>09</b> | <b>RIGHT POST</b>       | <b>1 PC</b>  |
| <b>10</b> | <b>SPACER BLOCK</b>     | <b>2 PCS</b> |



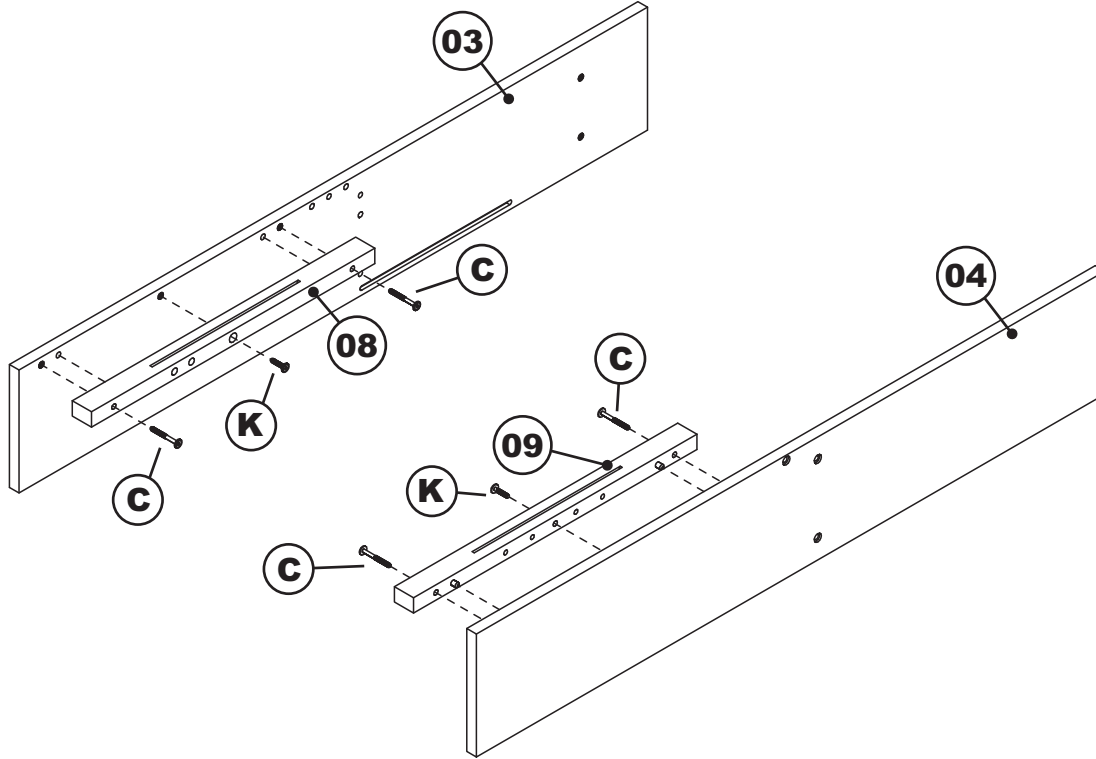
## STEP 1

Insert wooden dowel to locator holes will receive (D)(E) as shown below.



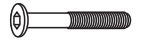
**STEP 2**

Attach the left, right post (08) and (09) to the left, right side panel (03) and (04) as shown below. Using JCB (C) and (K). Tighten with allen wrench (N).



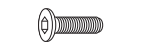
Adult Assembly

**C**



JCB M6 X 2"

**K**



JCB M6 X 1"

**N**

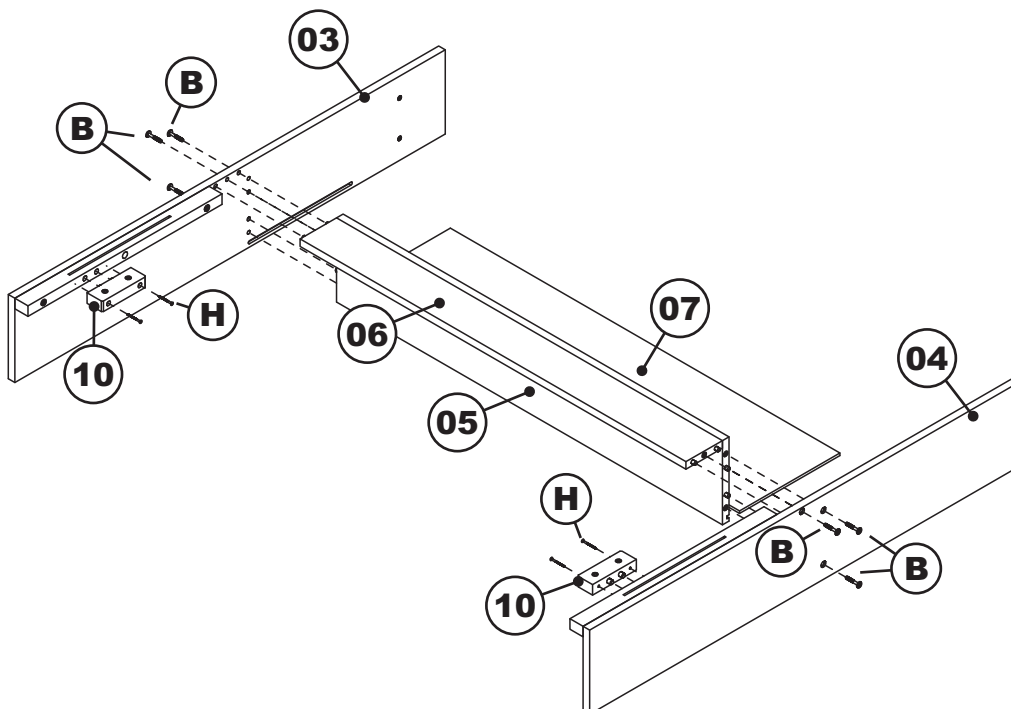


ALLEN WRENCH

**STEP 3**

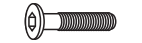
Attach the lower shelf (05), pillow stop (06) & back panel (07) to side panels (03) and (04) as shown below. Using JCB (B), tighten with Allen wrench (N).

Attach the spacer block (10) to side panels (03) and (04) as shown below. Using wood screw (H), tighten with Phillips head screwdriver. (Customer Supplied)



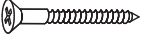
Adult Assembly

**B**



JCB M6 X 1 1/2"

**H**



WOOD SCREW

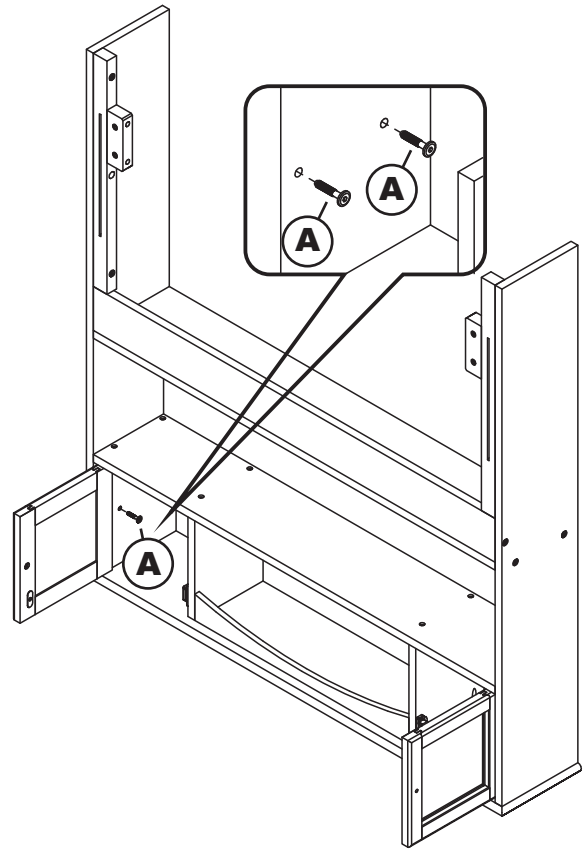
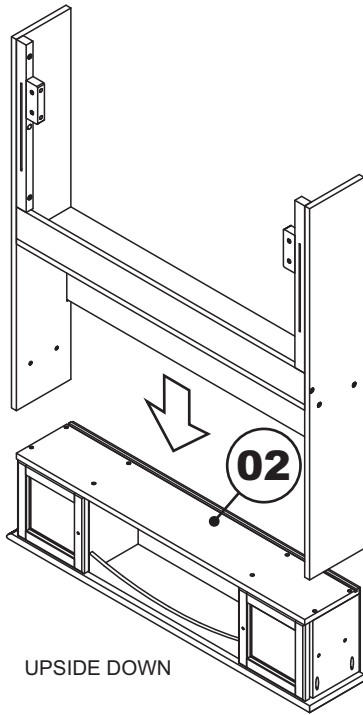
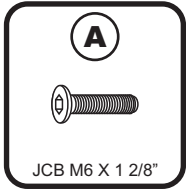
**N**



ALLEN WRENCH

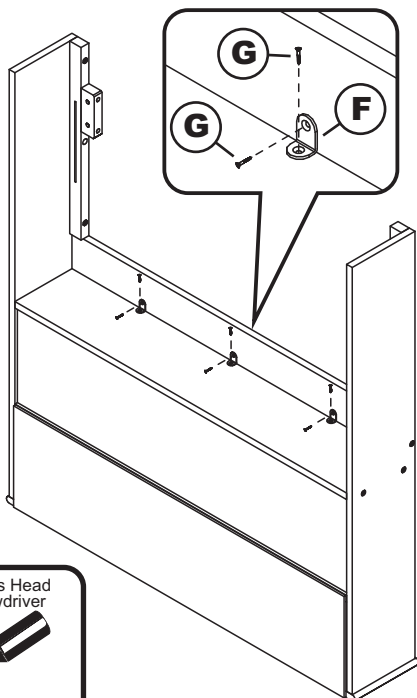
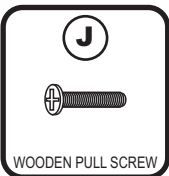
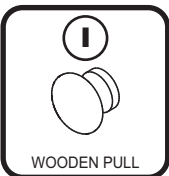
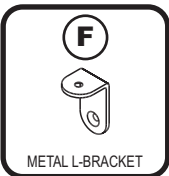
### STEP 4

Lay the top storage (02) on the floor upside down, taking care to lay it on some cardboard to prevent scratching. Stand the side panel assembly upside down and using JCB (A), tighten with Allen wrench (N).



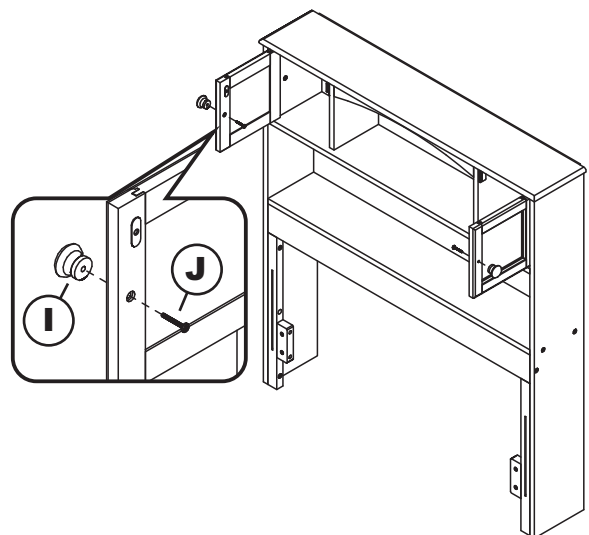
### STEP 5

Install metal L- Bracket (F) as shown below. Using wood screw (G), tighten with Phillips head screwdriver. ( Customer supplied )



### STEP 6

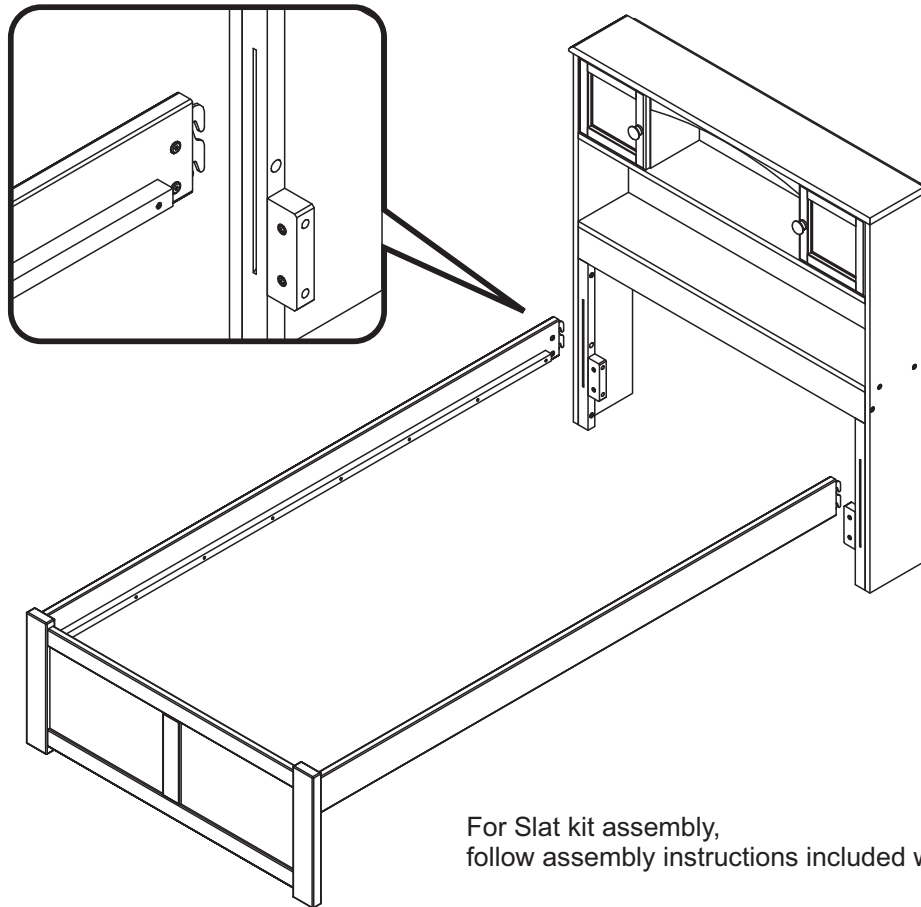
Install wooden pull (I) to each of the doors as shown. Using wooden pull screws (J), tighten with Phillips head screwdriver.



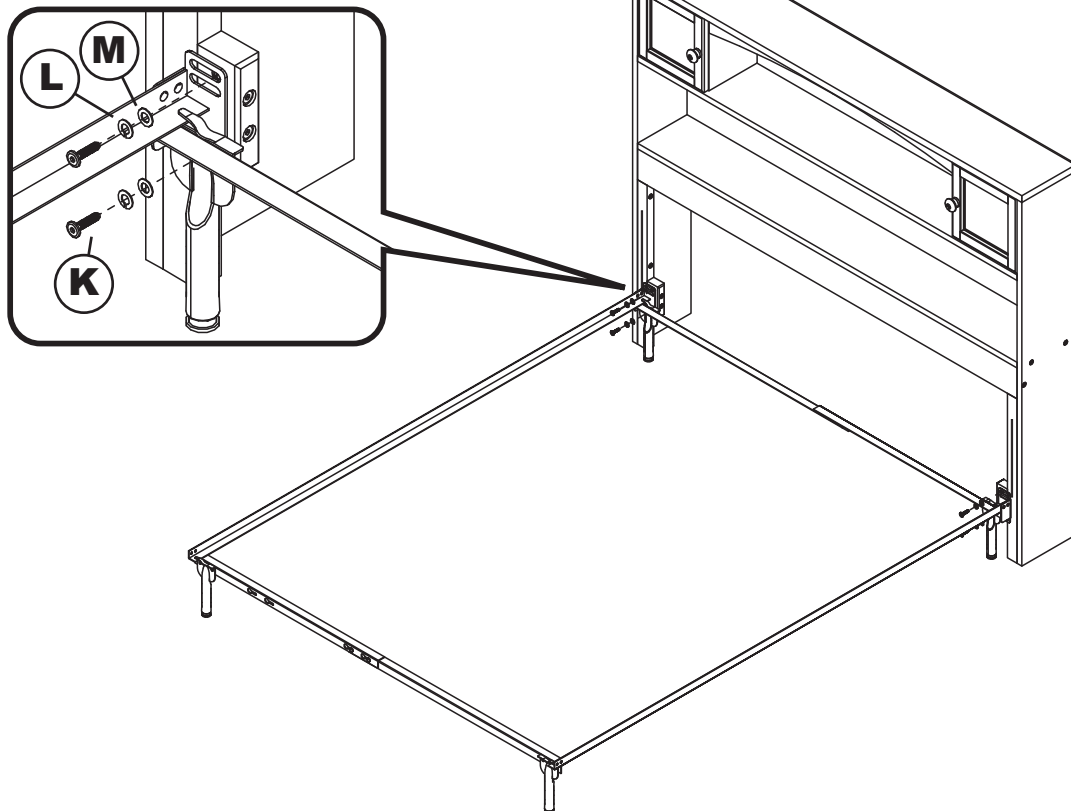
Your Newport Captain's Bookcase Headboard is now ready for use.

**STEP 7**

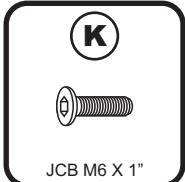
Attach headboard assembly to the bed frame as shown below. (Purchased separately)  
Using bed hook or Install the Headboard to the metal frame (Purchased separately).  
Using JCB (K) split and flat washer (L) and (M) tighten with allen wrench (N).



For Slat kit assembly,  
follow assembly instructions included with slat kit.



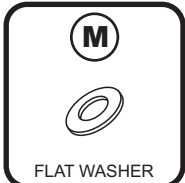
Adult Assembly



JCB M6 X 1"



SPLIT WASHER



FLAT WASHER



ALLEN WRENCH

**Congratulations!**

Your Newport Captain's Bookcase Bed is now ready for use.  
To ensure lasting safety, we recommend that you periodically check  
that all screws are tight and all parts are secure.