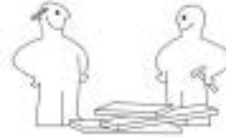
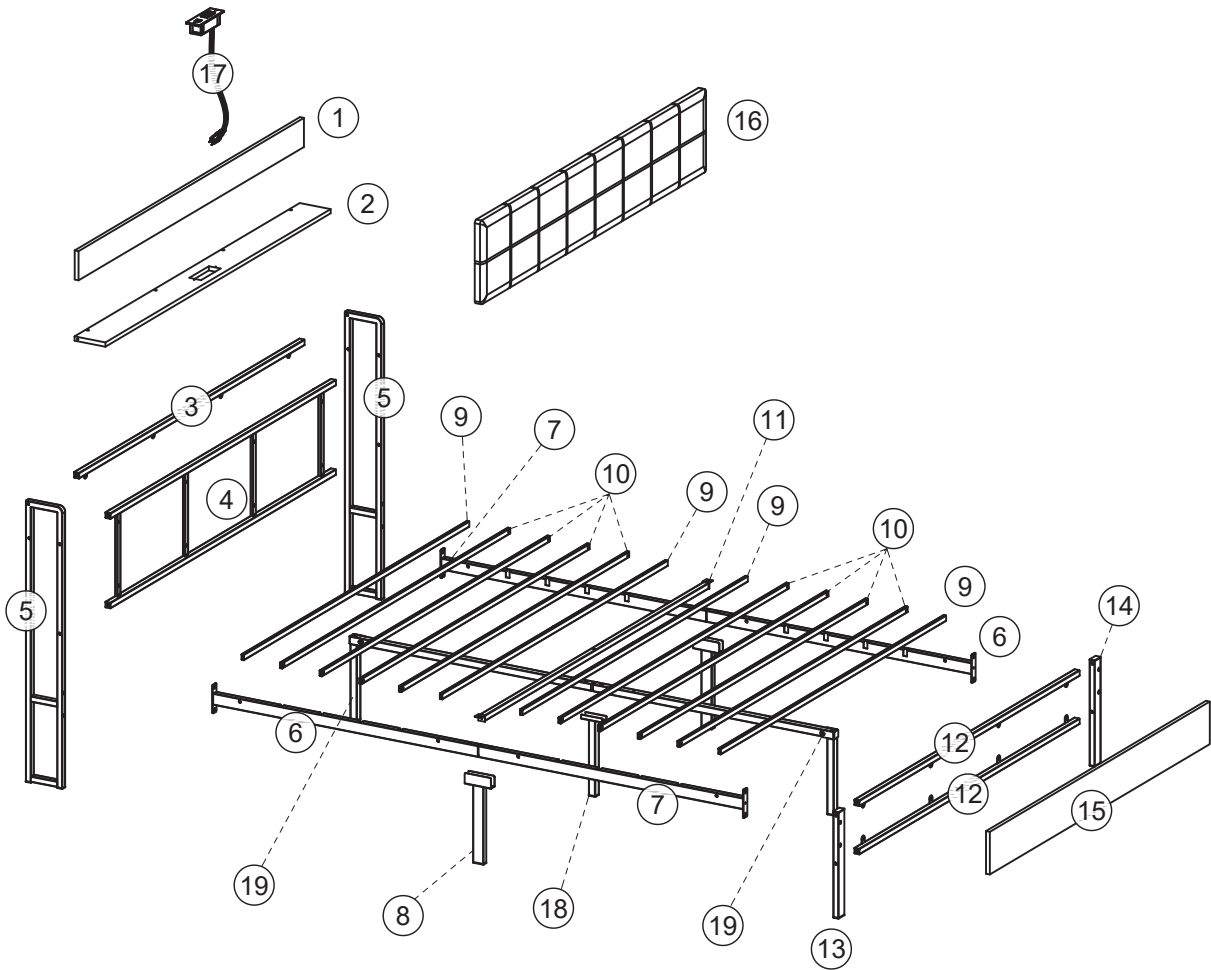


TIPS:

- Identify, sort and count the parts before assembly.
- Using incompatible hardware may cause the damage.
- Parts and hardware needed for the assembly are listed below. You may receive extra hardware as spare parts. Please don't use more than needed or it may cause the damage.












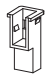




2 PERSONS WILL MAKE THE ASSEMBLY EASIER.

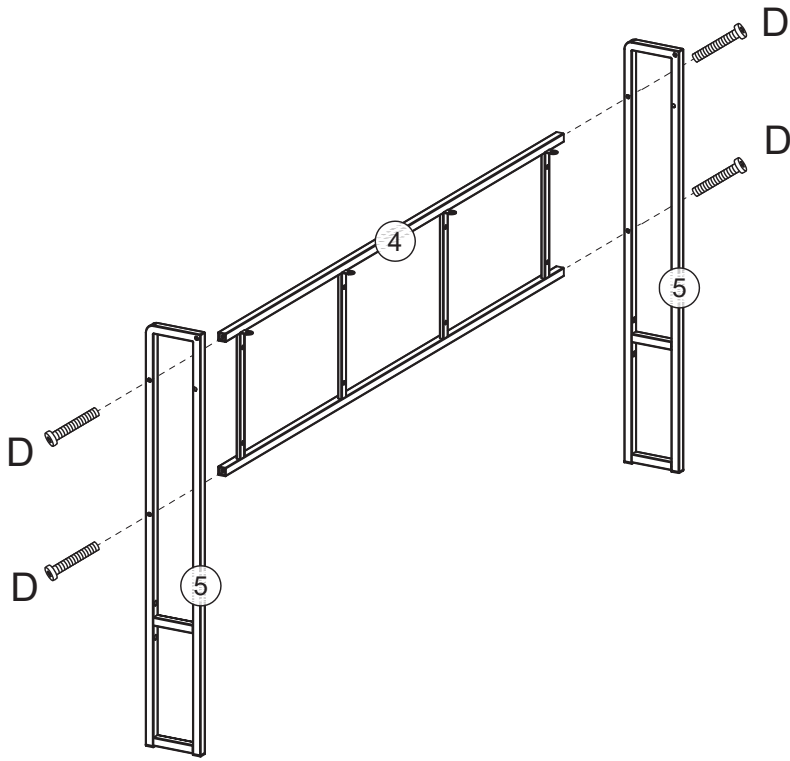


20

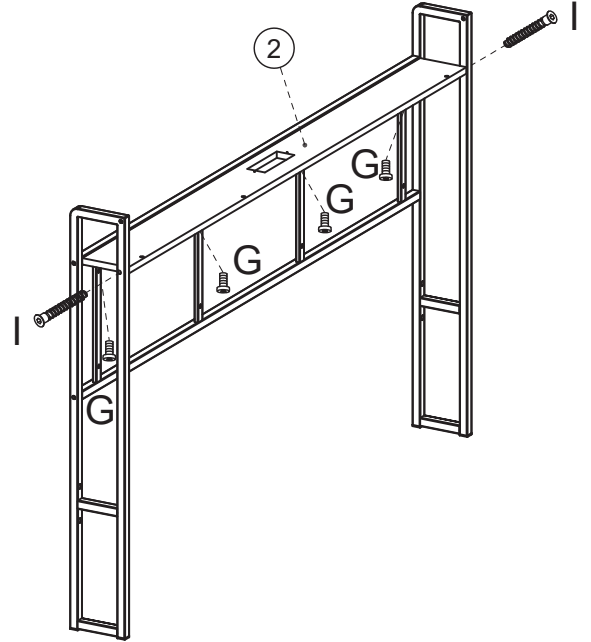






A	M8*15mm  8pcs+1pc	B	M8*60mm  4pcs+1pc	C	M8*50mm  5pcs+1pc	D	M6*40mm  16pcs+2pcs	E	M6*55mm  4pcs+1pc	F	M8*30mm  2pcs+1pc	G	M6*10mm  16pcs+2pcs
H	M6*20mm  8pcs+1pc	I	M7*50mm  6pcs+1pc	J	M3.5*12mm  2pcs+1pc	K	S4  1pc	L	 16pcs	M	M8*Ø10mm  8pcs+1pc	N	S5  2pcs

1

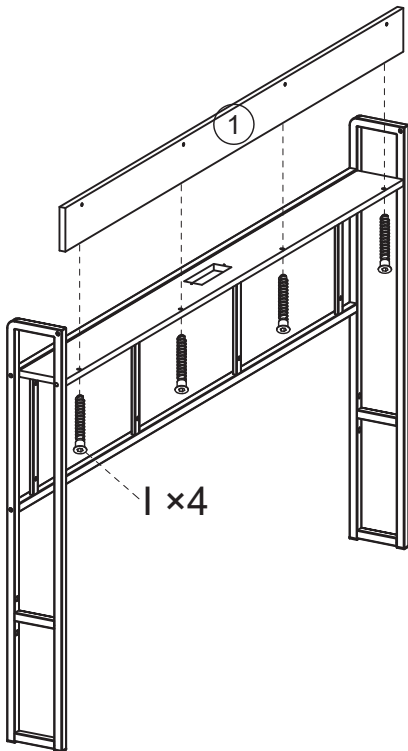


DON'T TIGHTEN THE SCREWS 100% UNTIL YOU FINISH INSTALLING THE STAND.

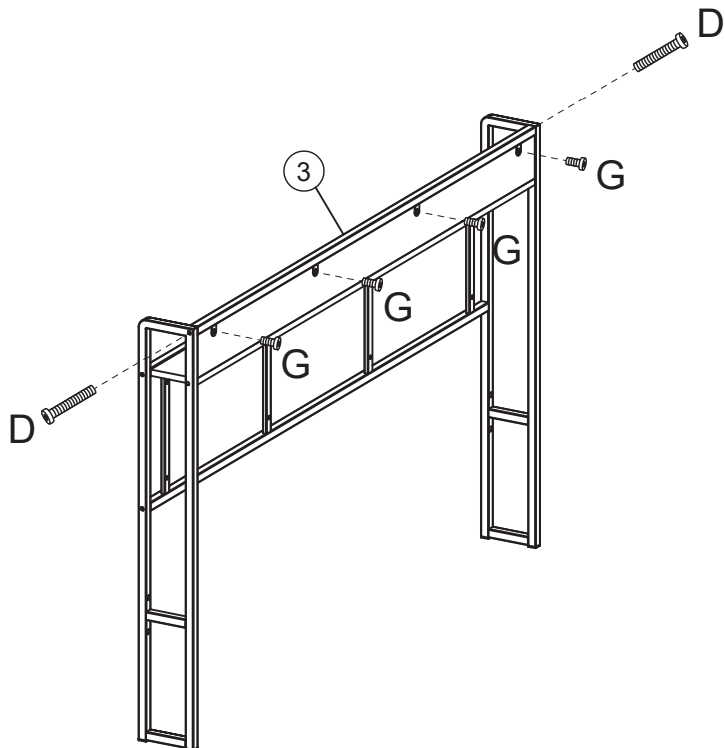






D	M6*40mm	G	M6*10mm	I	M7*50mm	K	S4
							
4pcs		4pcs		2pcs		1pc	

2

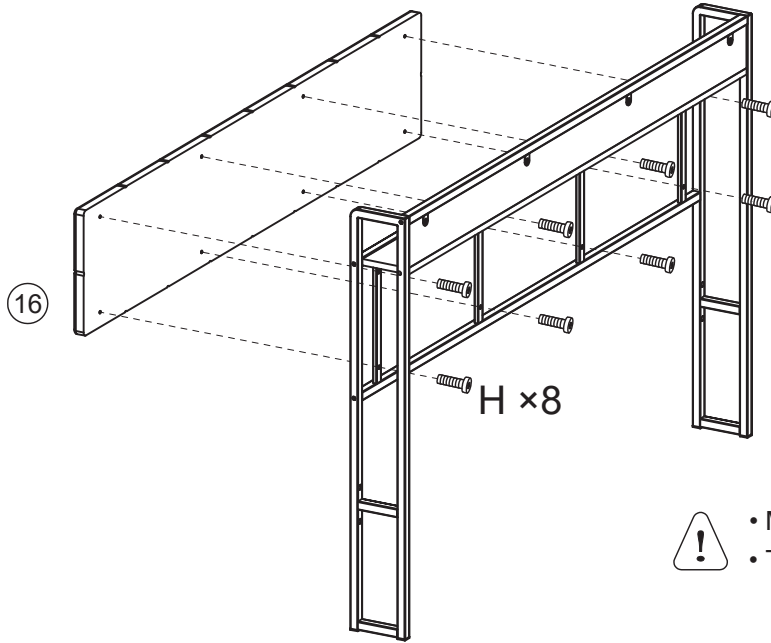


DON'T TIGHTEN THE SCREWS 100% UNTIL YOU FINISH INSTALLING THE STAND.



D	M6*40mm	G	M6*10mm	I	M7*50mm	K	S4
							
2pcs		4pcs		4pcs		1pc	

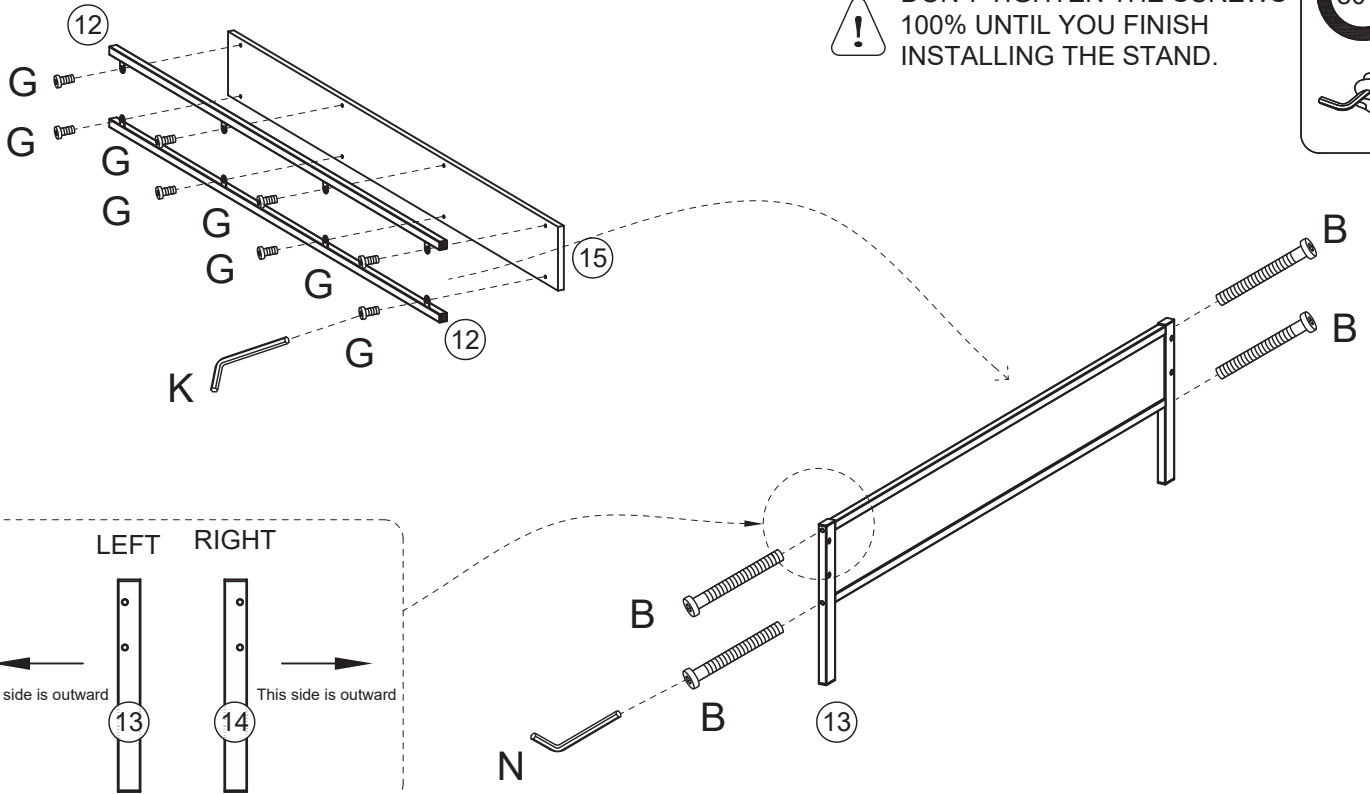
3



- Make sure the assembly holes are aligned.
- TIGHTEN THE SCREWS OF H.

H	M6*20mm	K	S4
	8pcs		1pc

4



! DON'T TIGHTEN THE SCREWS 100% UNTIL YOU FINISH INSTALLING THE STAND.

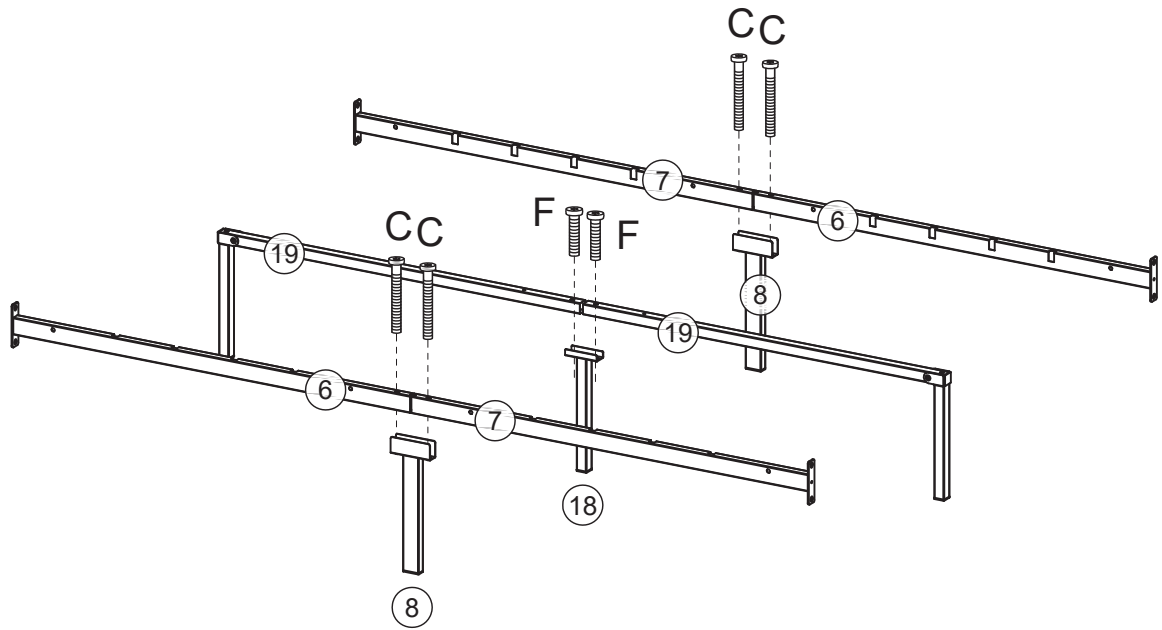
! *Attention: Components have left and right sides. During installation, it's important to ensure the correct orientation of these components; otherwise, it may affect subse-quent installations.




B	M8*60mm	G	M6*10mm	K	S4	N	S5
	4pcs		8pcs		1pc		1pc

5



DON'T TIGHTEN THE SCREWS
100% UNTIL YOU FINISH
INSTALLING THE STAND.

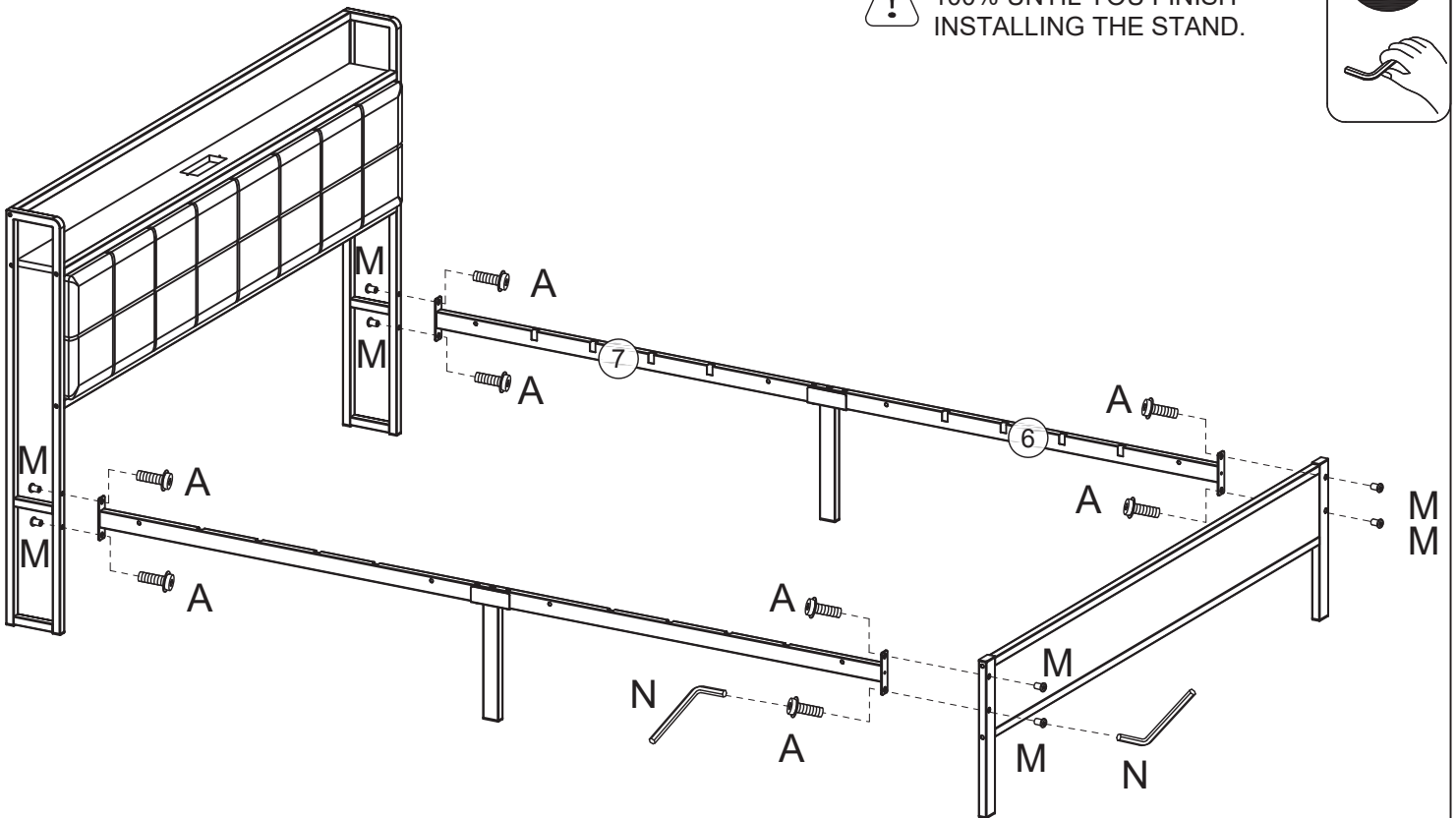





C	M8*50mm	F	M8*30mm	N	S5
					
4pcs		2pcs		1pc	

6



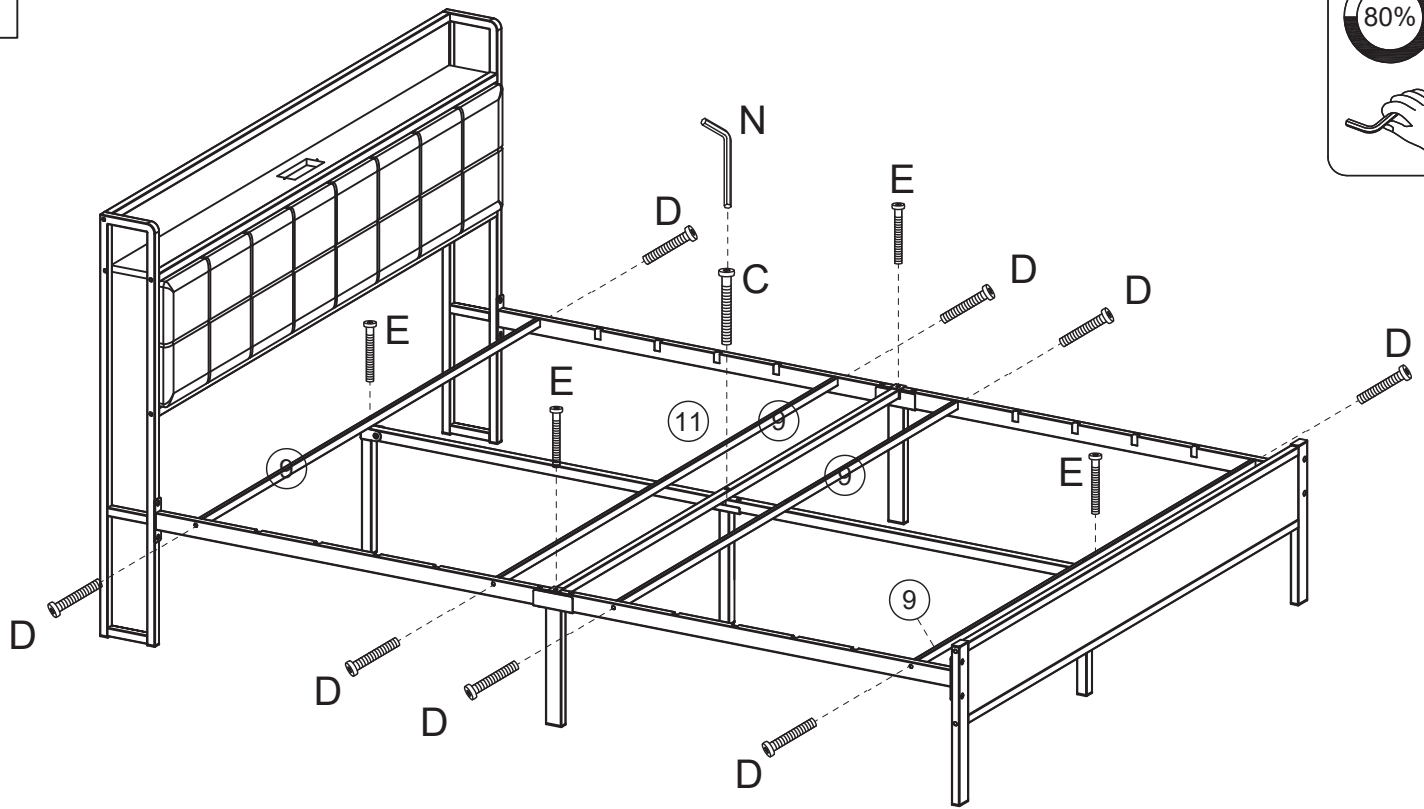
DON'T TIGHTEN THE SCREWS
100% UNTIL YOU FINISH
INSTALLING THE STAND.



A	M8*15mm	M	M8*Ø10mm	N	S5
					
8pcs		8pcs		2pcs	

Please note that during the assembly in this step, it is required to utilize two S5 wrenches for the assembly.

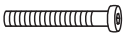




7



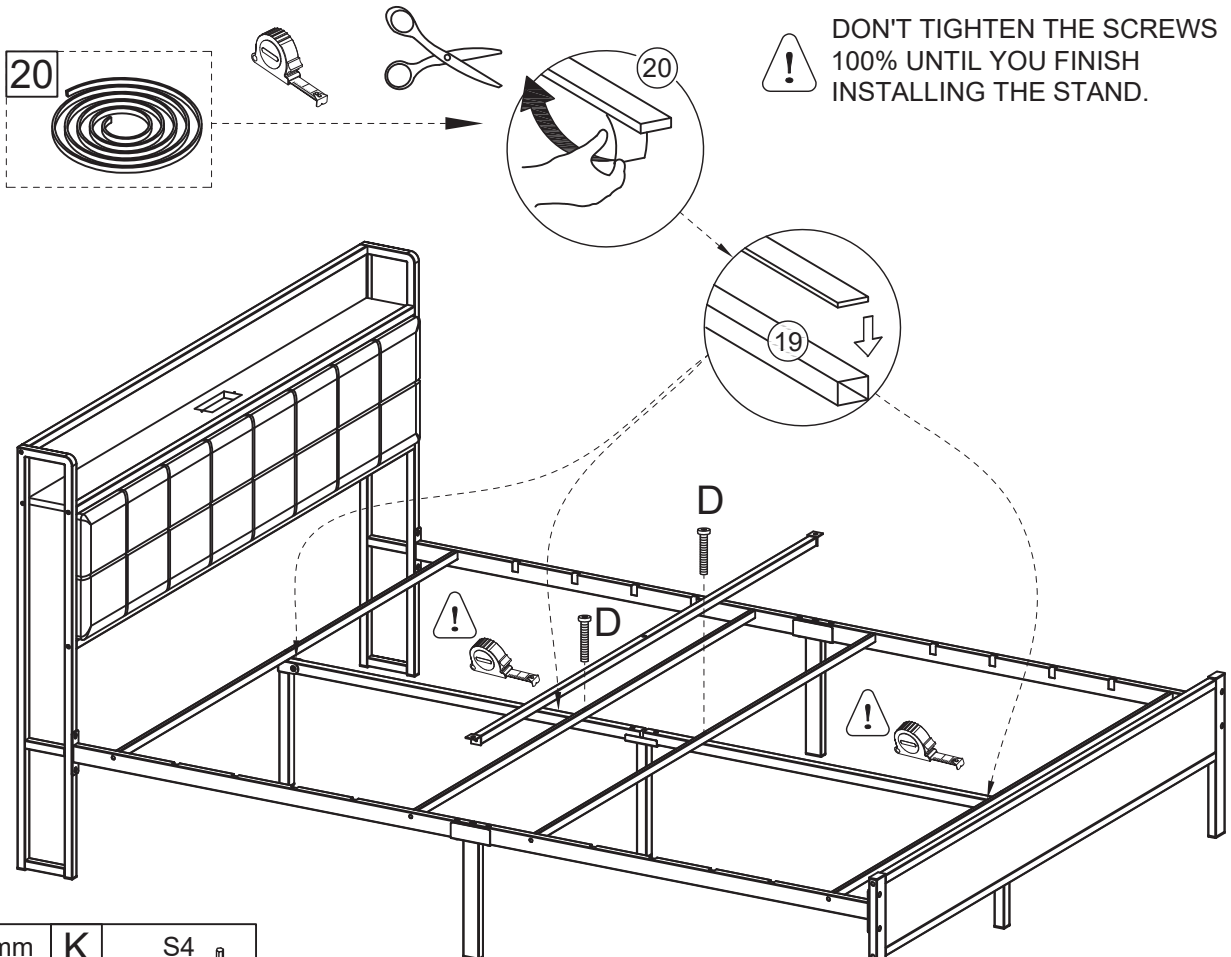
80%



*When assembling parts 9 and 11, ensure that the screws are not tightened 100%, otherwise there might be difficulties in achieving proper assembly.



C	M8*50mm	D	M6*40mm	E	M6*55mm	K	S4	N	S5
									
1pc		8pcs		4pcs		1pc		1pc	

8

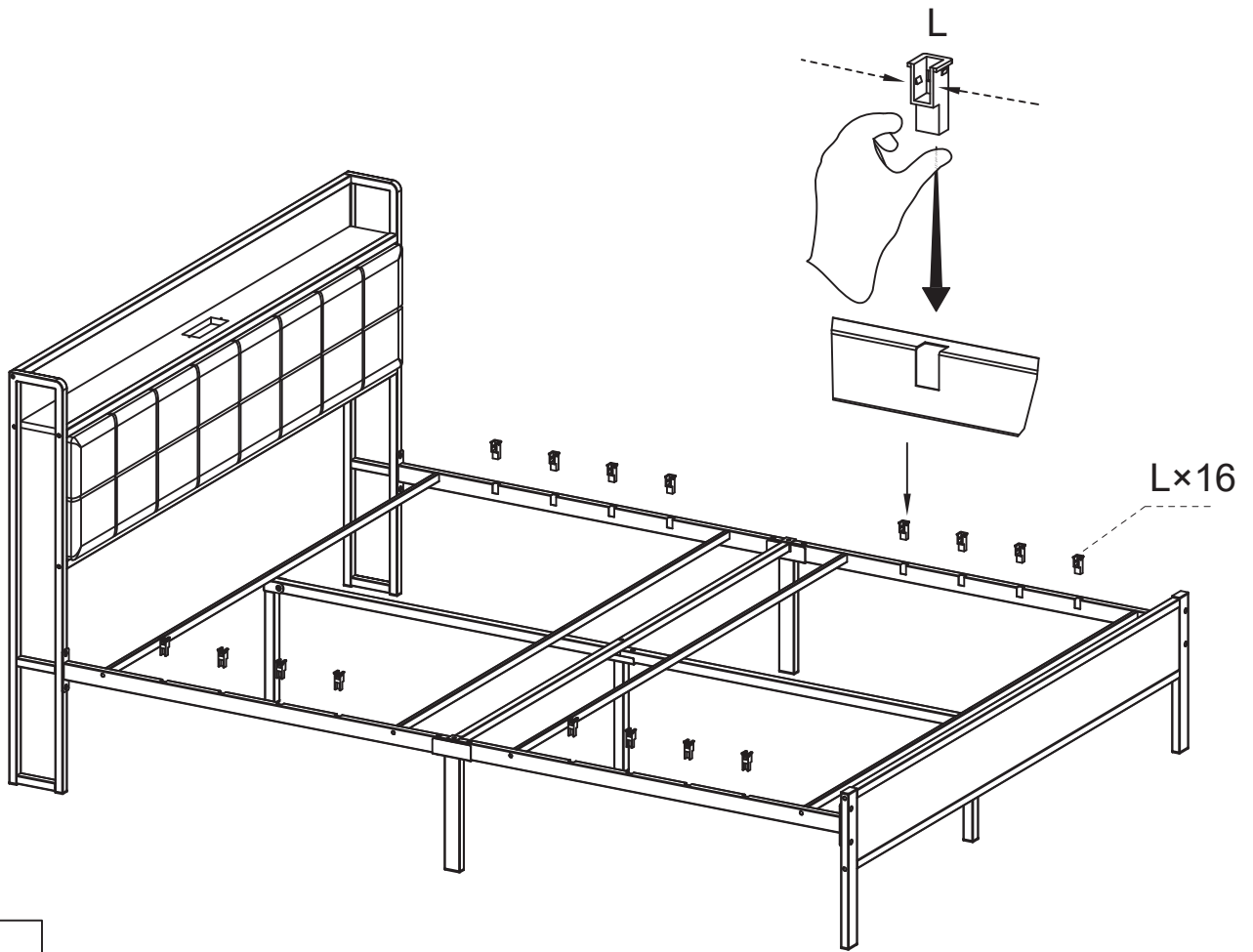


80%



D	M6*40mm	K	S4
			
2pcs		1pc	

9

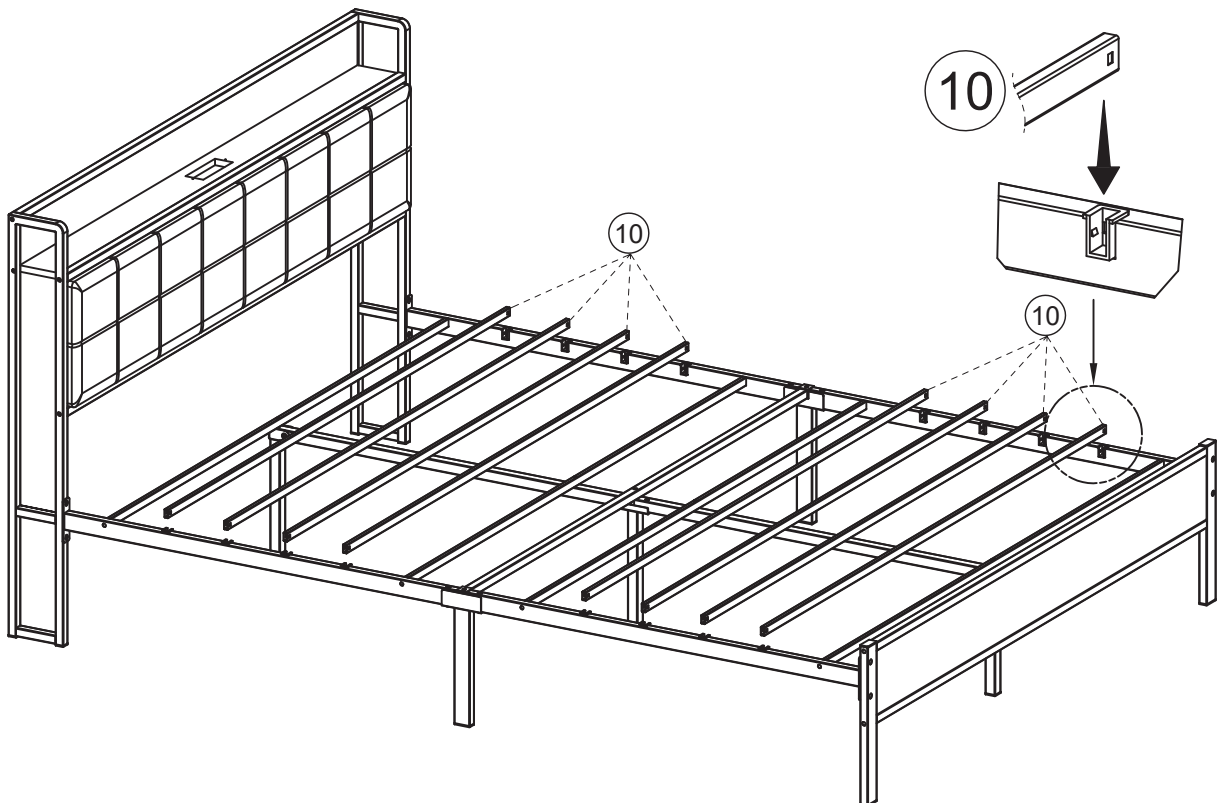


L



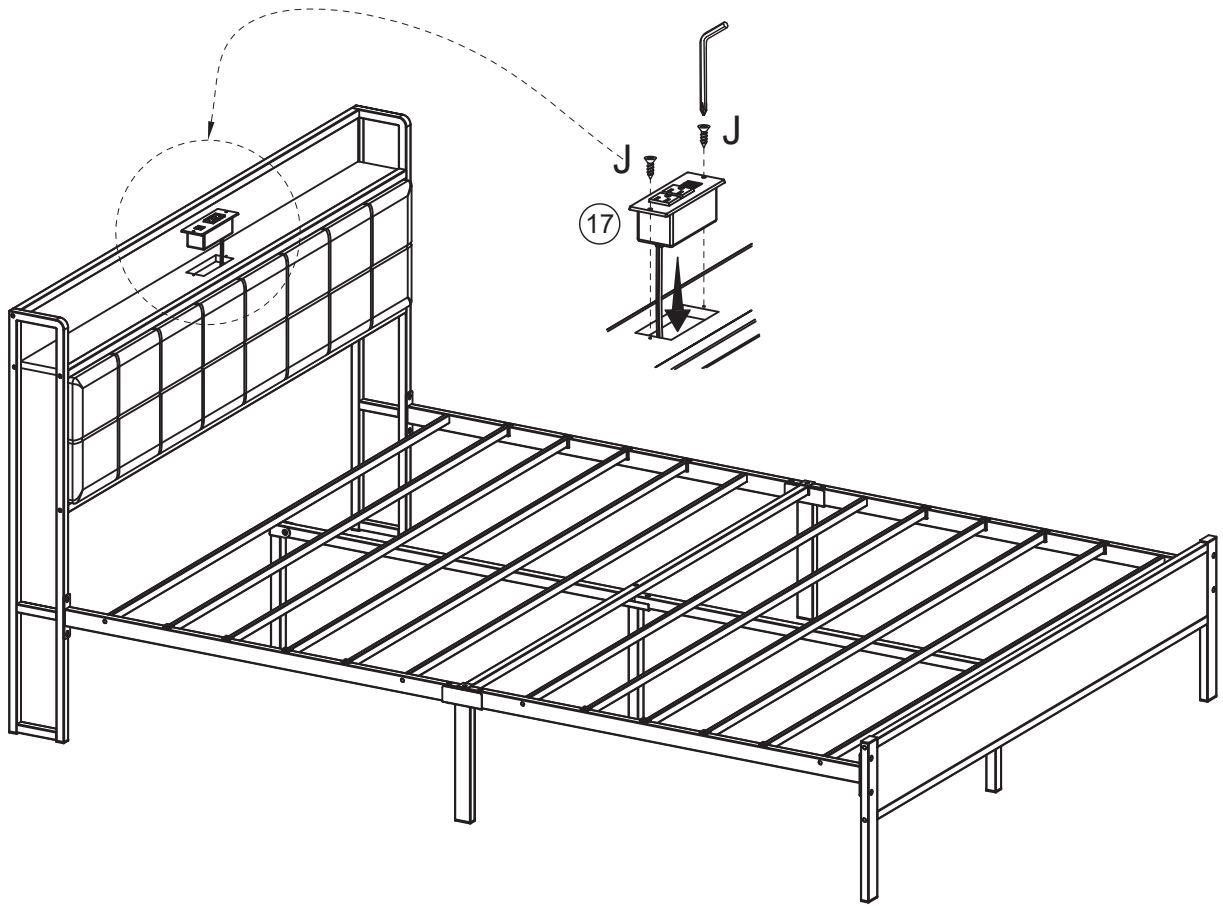
16pcs



10



- Make sure the assembly holes are aligned.
- TIGHTEN ALL THE SCREWS COMPLETELY.

11



J	M3.5*12mm	K	S4
			
	2pcs		1pc

Warranty & Customer Support

If you need any help in regards to product installation or after-sales service, please contact us at likeourfurni@outlook.com

Please have the following information ready when requesting for service:

Order ID

Problem Description