

ASSEMBLY INSTRUCTIONS

---

# METAL GARDEN SHED

---

SKU: T-PS22-0110

BE  
YOUR  
LIFE BUILDER

[www.patiowell.com](http://www.patiowell.com)



 Patiowell  
Metal Garden House  
Installation Tutorial  
[https://patiowell.com/pages/  
video-t-ps22-0110-bk](https://patiowell.com/pages/video-t-ps22-0110-bk)

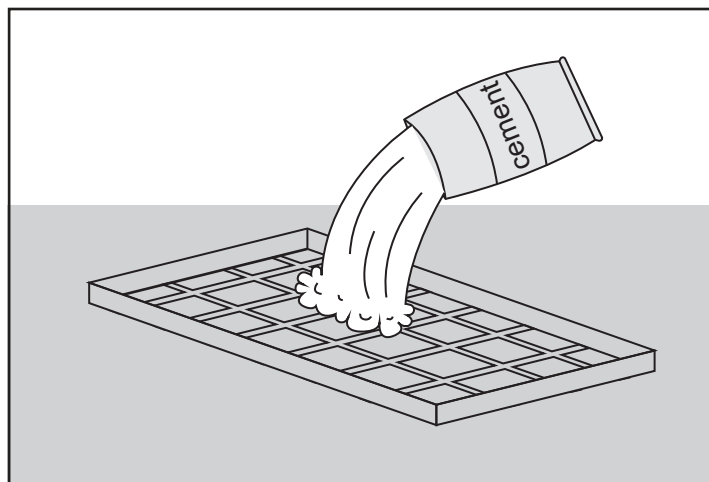
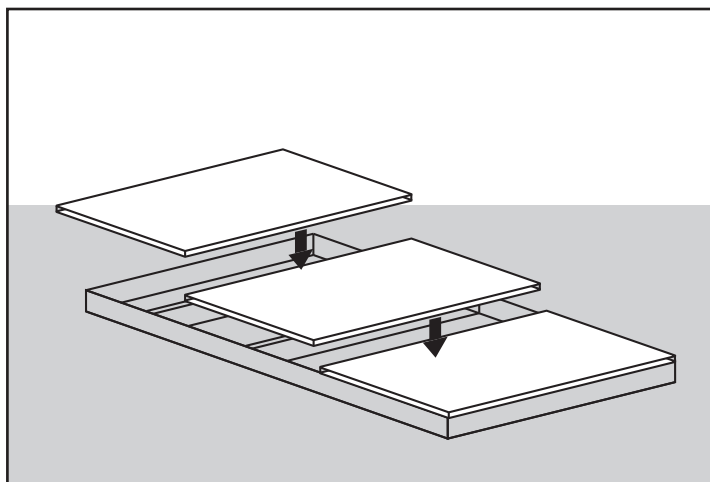
 [saleservice@patiowell.com](mailto:saleservice@patiowell.com)

# SITE PREPARATION

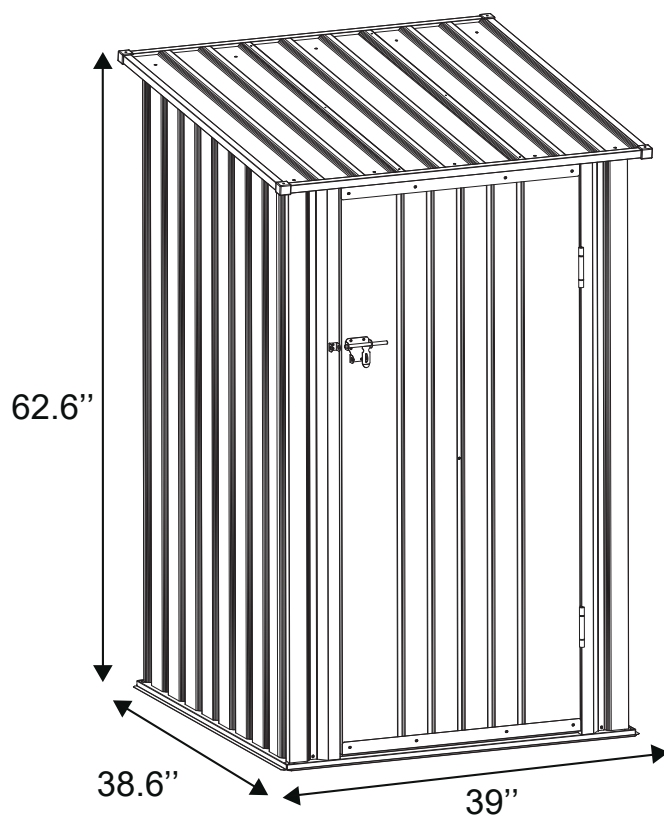
Level the ground surface.



Recommendation: Construct a wooden or concrete base as a foundation.



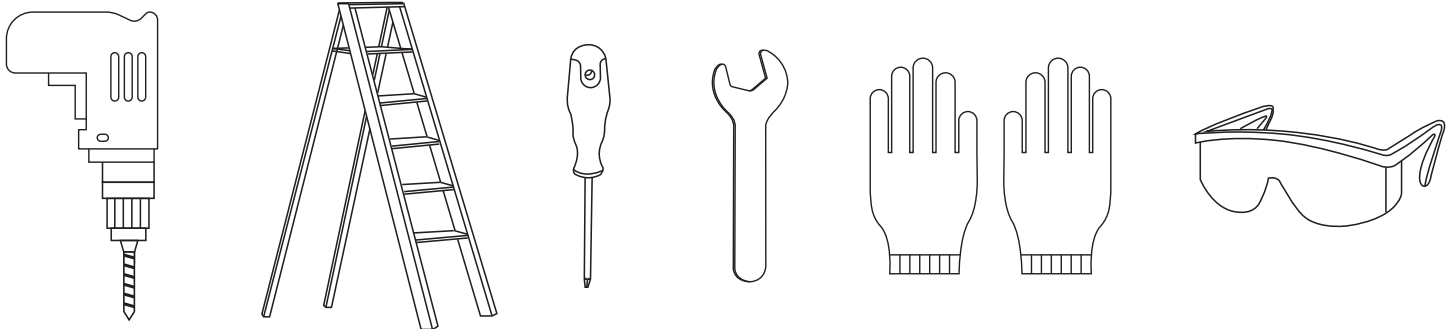
The external dimensions of the product :



# BEFORE STARTING ASSEMBLY

Remove all of the pieces from the package and spread them out on the ground. Before installation, please check the type and quantity of parts first. It is recommended to use a clean work surface to spread the parts out and for pre-assembly steps. Review all instructions before you begin, continue to refer to instructions during assembly. Be sure to follow all steps thoroughly. Please prepare these components in advance at the beginning of each stage.

## REQUIRED TOOLS



## CAUTION

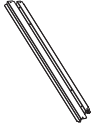
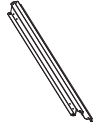


Some parts have steel edges. Please be careful when handling components. Always wear work gloves, eye protection and long sleeves when assembling or performing any maintenance on your shed. Do not attempt assembly on days with strong winds or low temperatures.




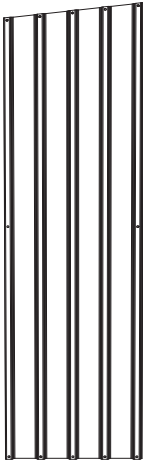
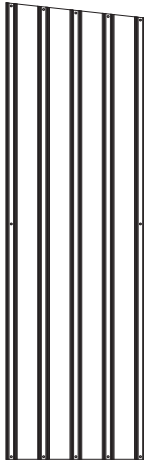
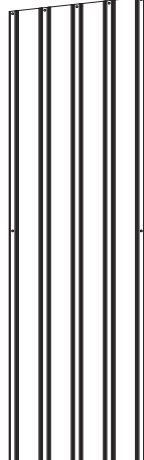
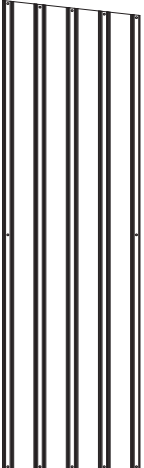

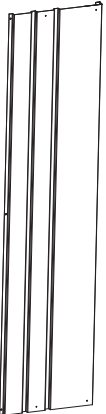

Requires two people and takes 2-3 hours for Installation. Recommended to wear gloves to avoid scratches. Please read the manual carefully before installation.

**DO NOT RETURN YOUR UNIT  
TO THE STORE**  
Contact us first  
[saleservice@patiowell.com](mailto:saleservice@patiowell.com)



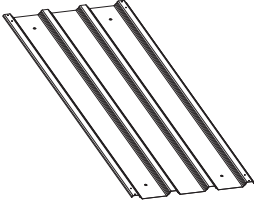
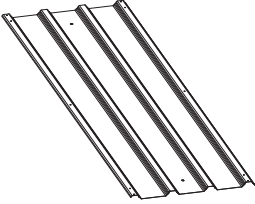
# FOUNDATION

<p>1 X1</p> 	<p>2 X1</p> 
<p>3 X1</p> 	<p>4 X1</p> 



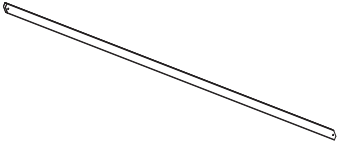


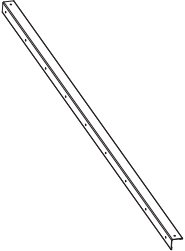
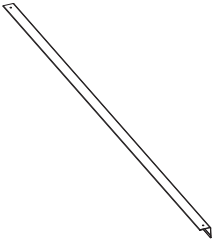

# PLATES

 <p>P2 X2</p>	 <p>P1AL X1</p>	 <p>P1AR X1</p>	 <p>P4AL X1</p>
 <p>P4AR X1</p>	 <p>DLA X1</p>	 <p>DRA X1</p>	 <p>P4 X1</p>

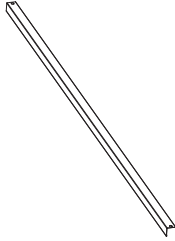

# PLATES

 <p>P4L X1</p>	 <p>P4R X1</p>	 <p>P7 X2</p>	 <p>P8 X1</p>
---	---	---	--

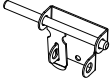
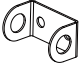


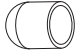
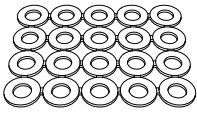
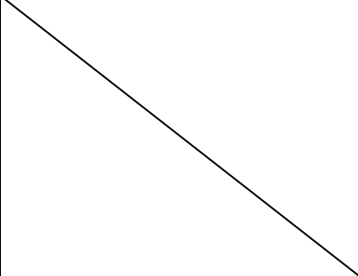
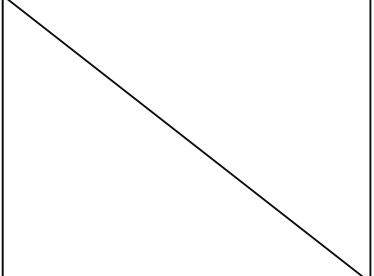
# STRIPS

 <p>UL1 X1</p>	 <p>UR1 X1</p>	 <p>DX1 X2</p>
		 <p>20 X2</p>
 <p>8 X1</p>		 <p>9L X1</p>
 <p>9R X1</p>		 <p>10 X1</p>

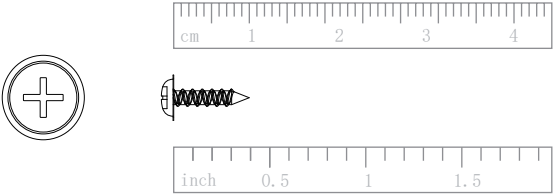
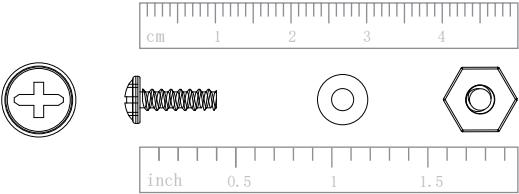
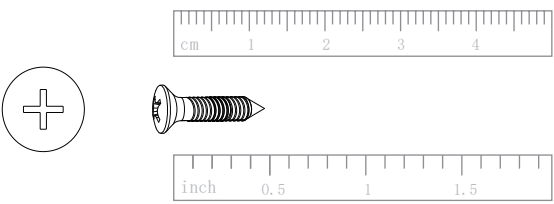
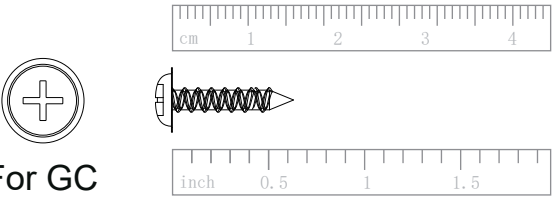
# STRIPS

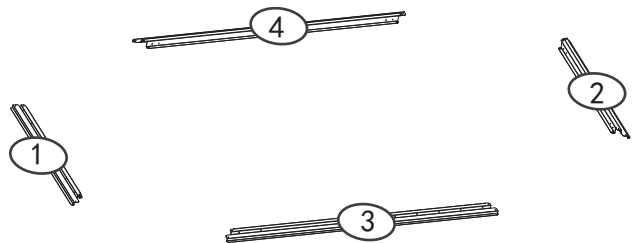
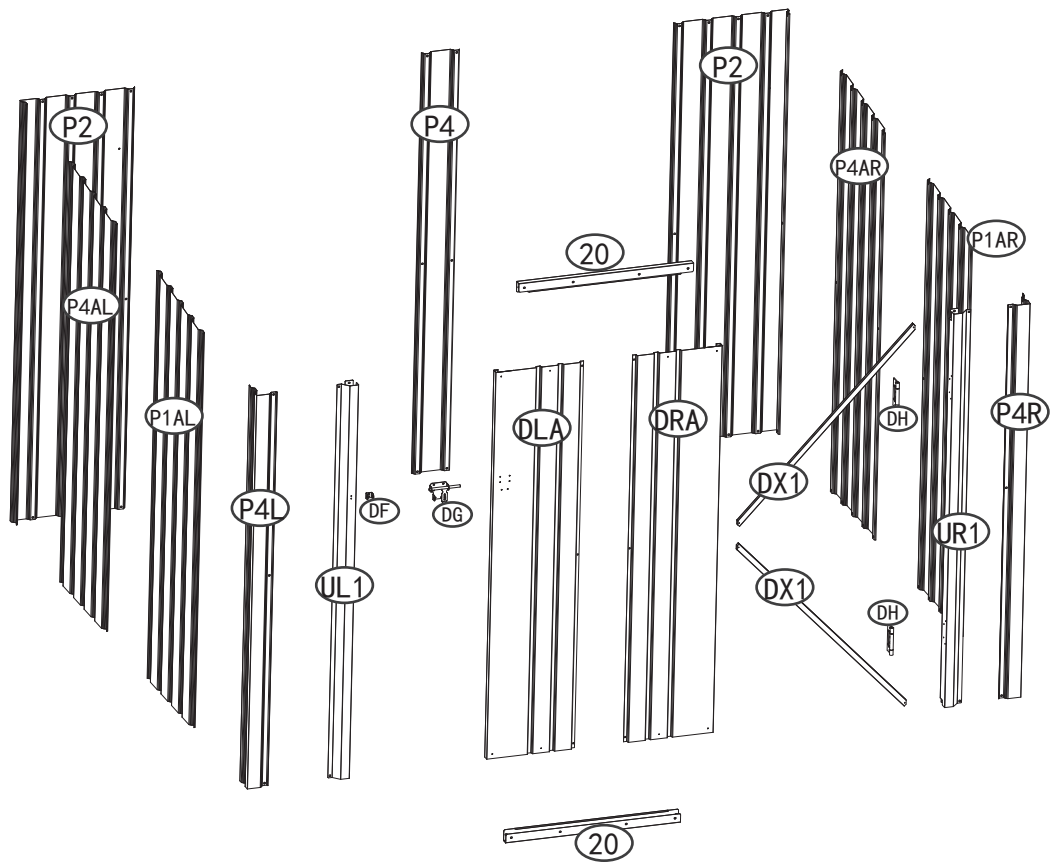
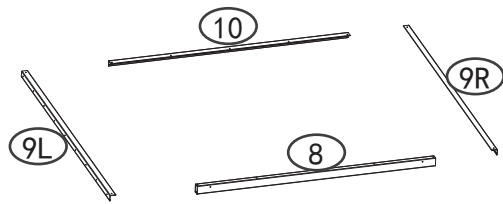
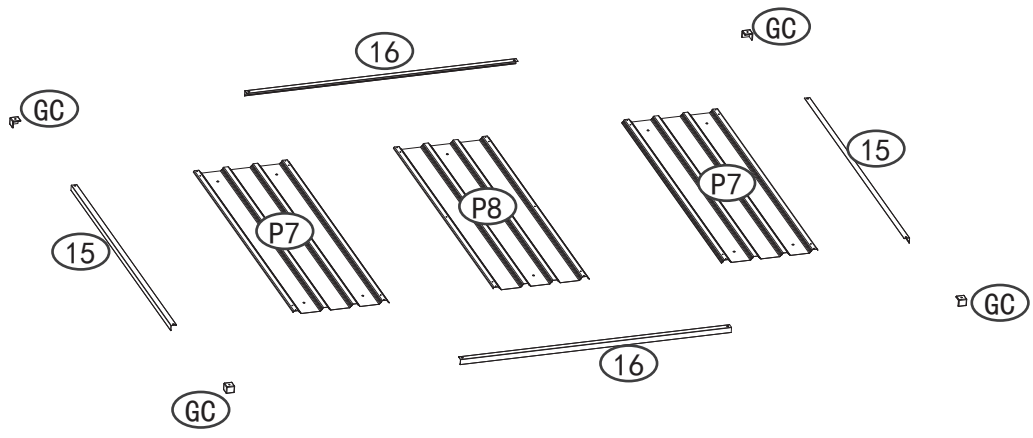
 <p>15 X2</p>	 <p>16 X2</p>
--	---

# STANDARD

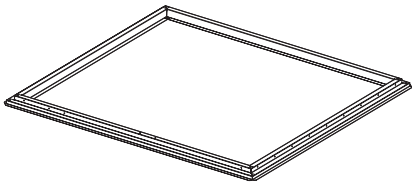
 <p>DG X1</p>	 <p>DF X1</p>	 <p>DH X2</p>	 <p>GC X4</p>
 <p>S1 X90</p>	 <p>V2 X90</p>		

# SCREW

 <p>F1(X106)      M4*10</p>	 <p>F2(X14)      M4*10</p>
 <p>F3(X16)      M5*12</p>	 <p>For GC F5(X4)      M4*16</p>

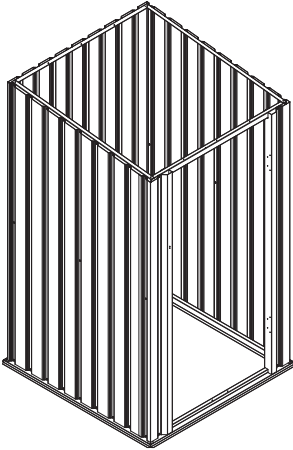


# CONTENTS



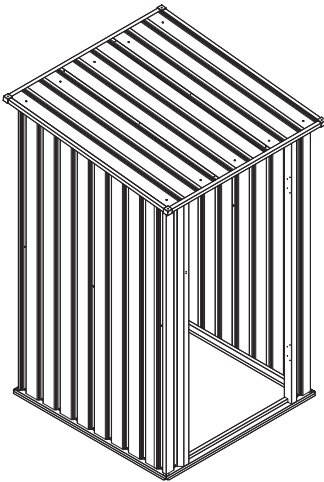
Bottom frame

09  
(page)



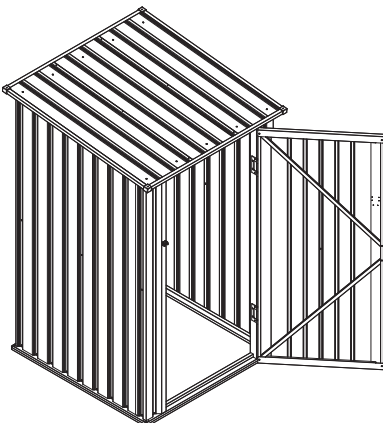
Wall

10-16  
(page)



Roof

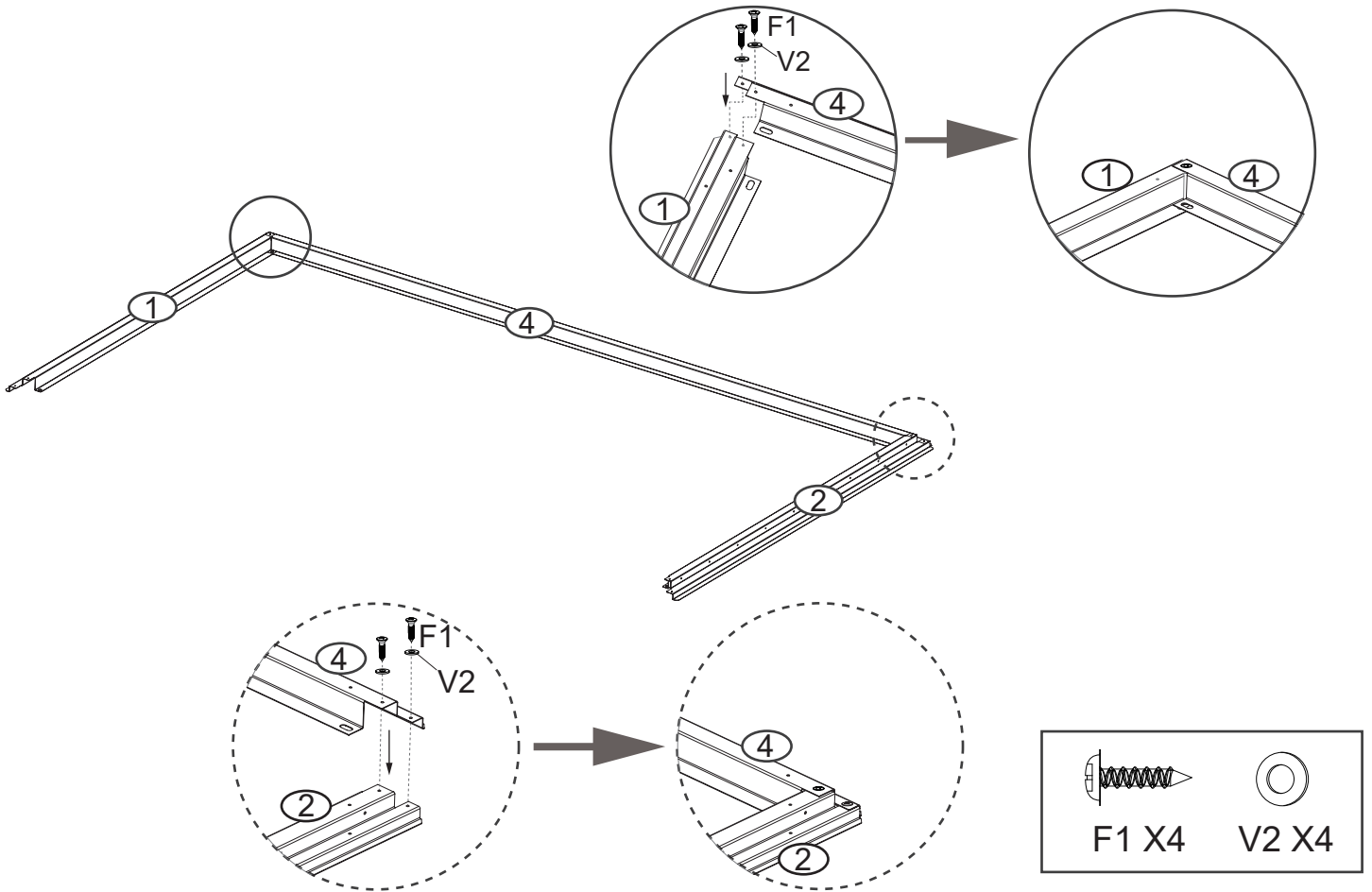
17-18  
(page)



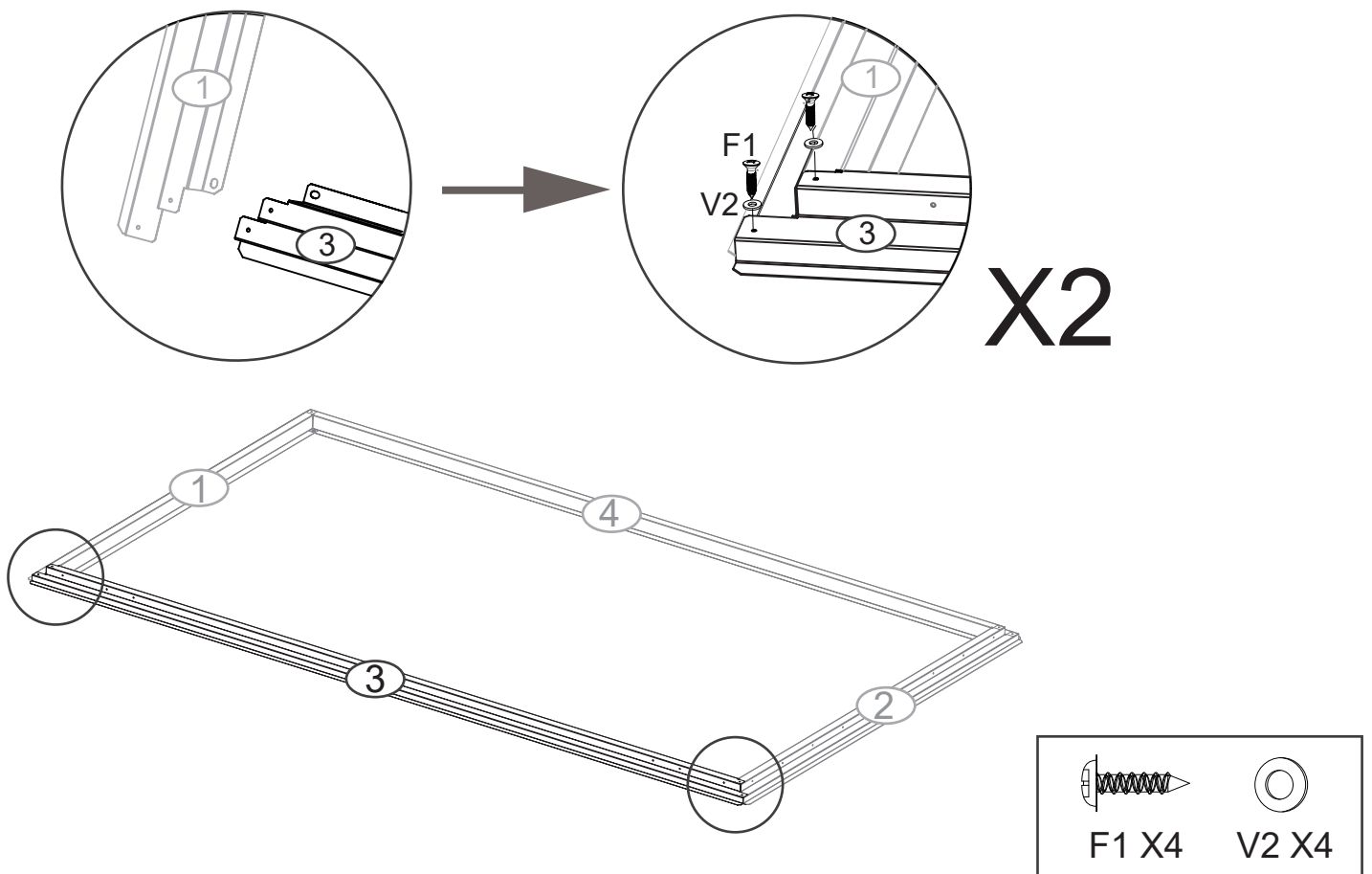
Door

18-20  
(page)

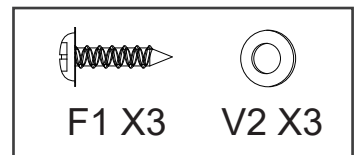
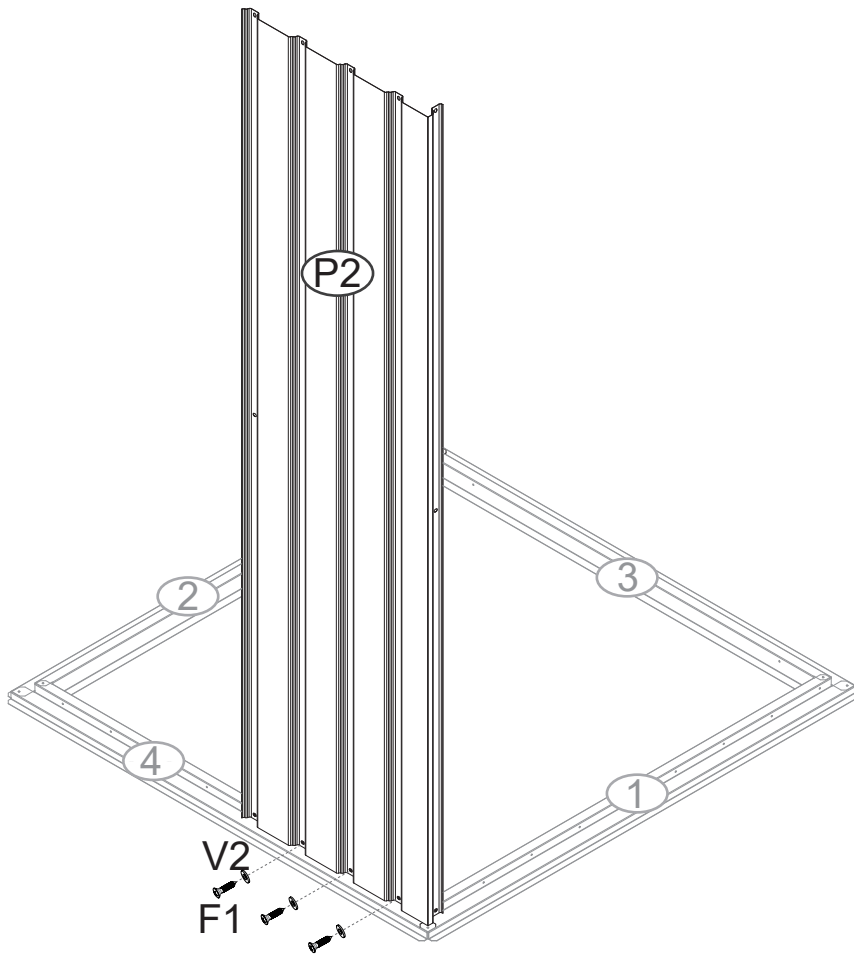
# STEP 1



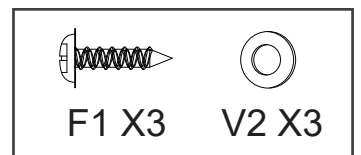
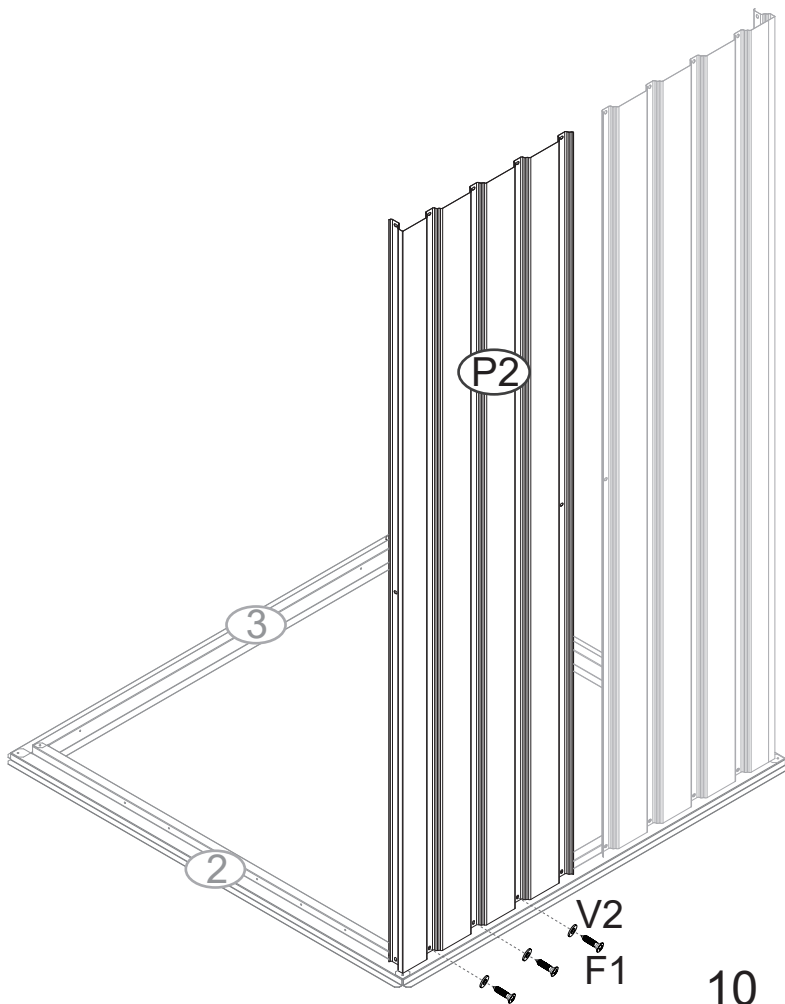
# STEP 2



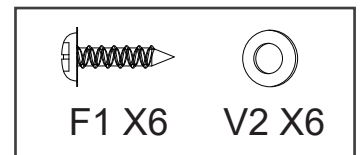
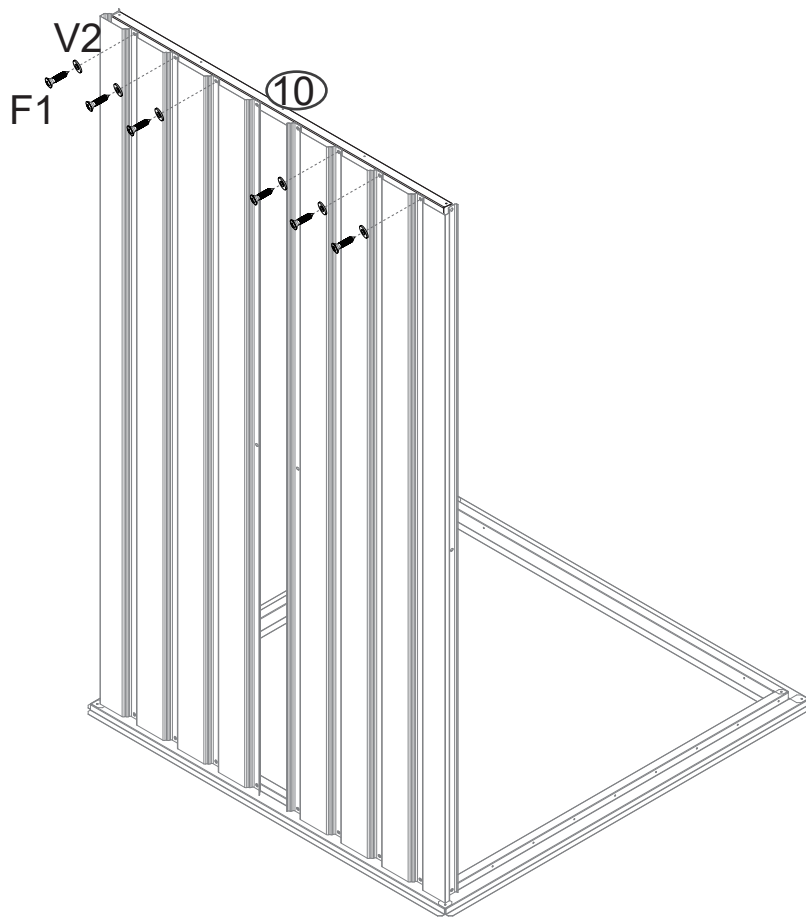
# STEP 3



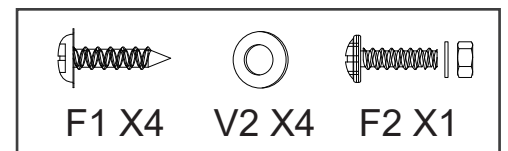
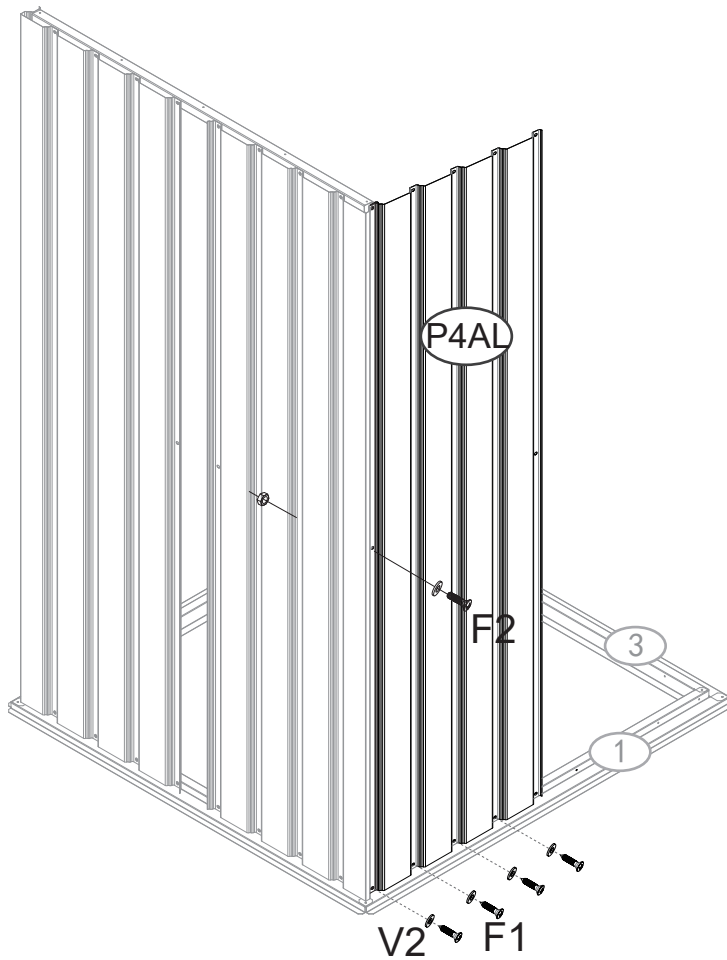
# STEP 4



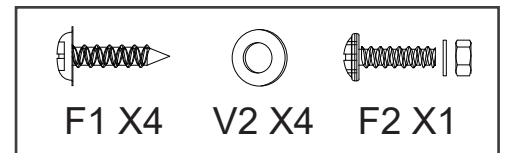
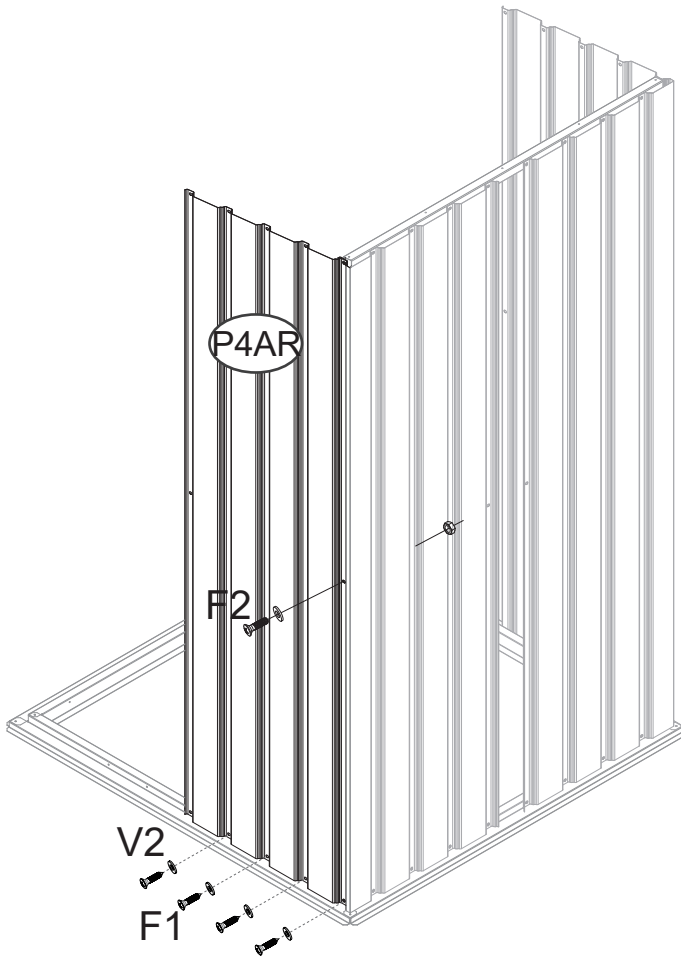
# STEP 5



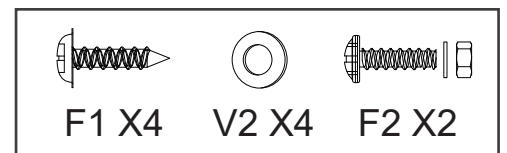
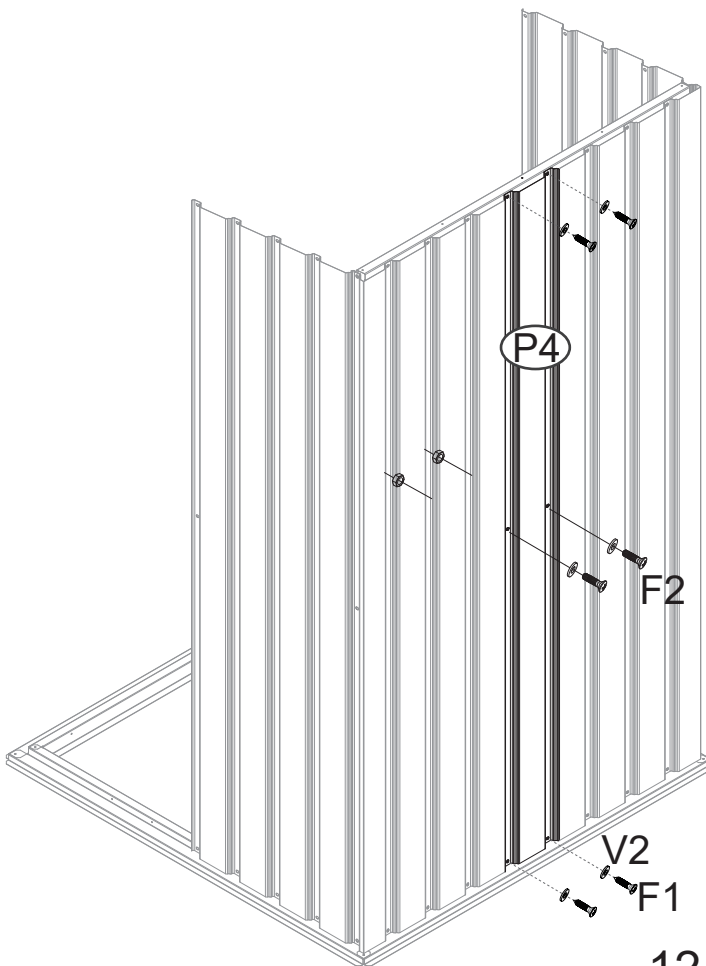
# STEP 6



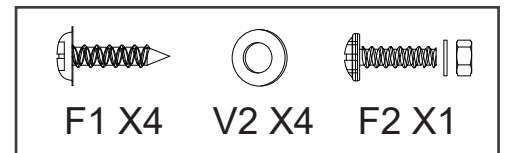
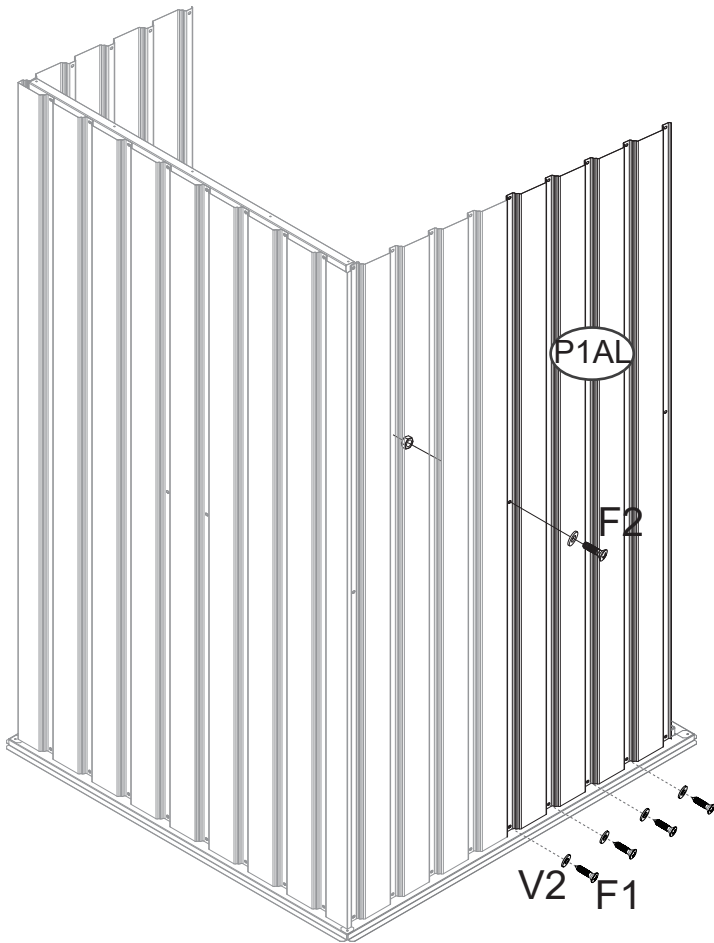
# STEP 7



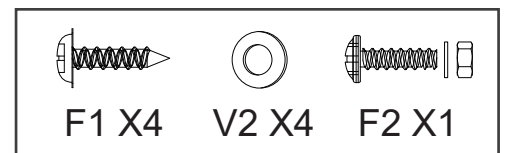
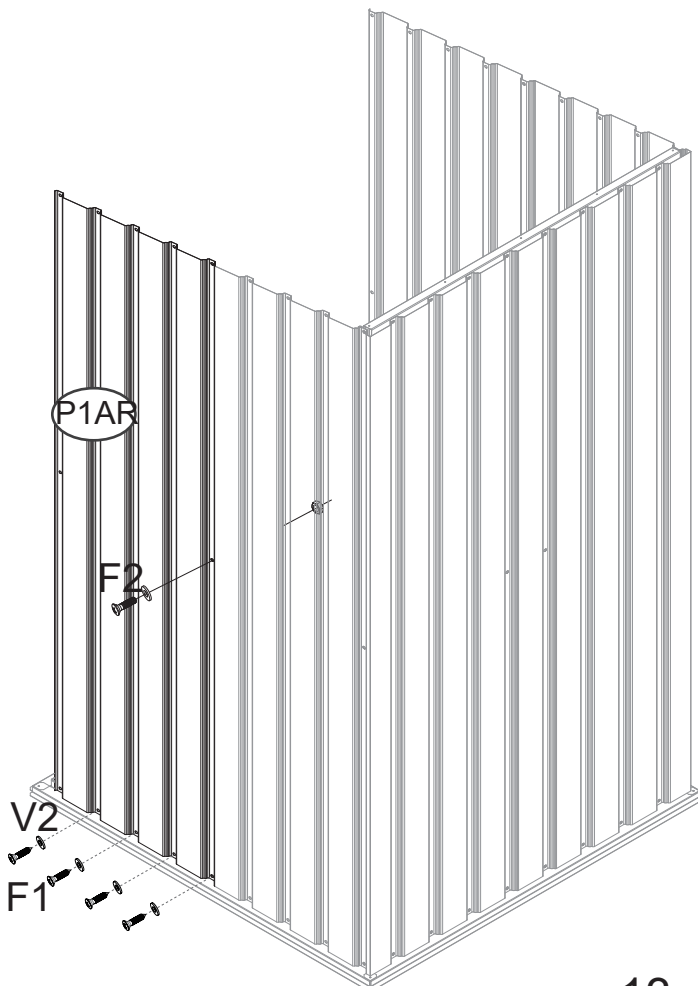
# STEP 8



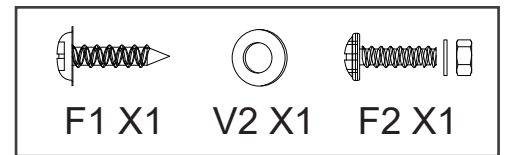
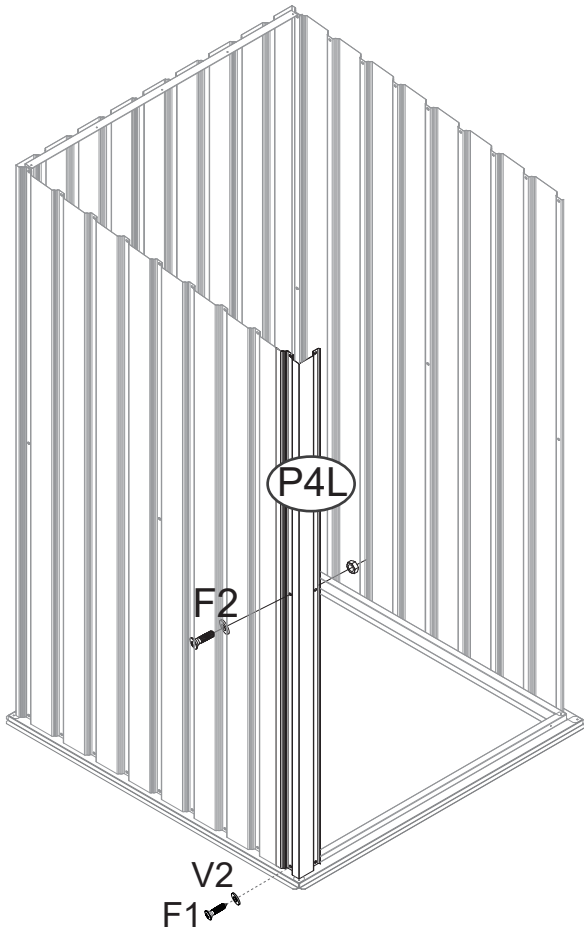
# STEP 9



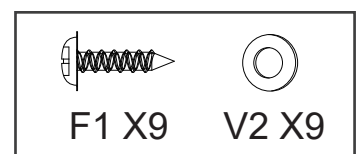
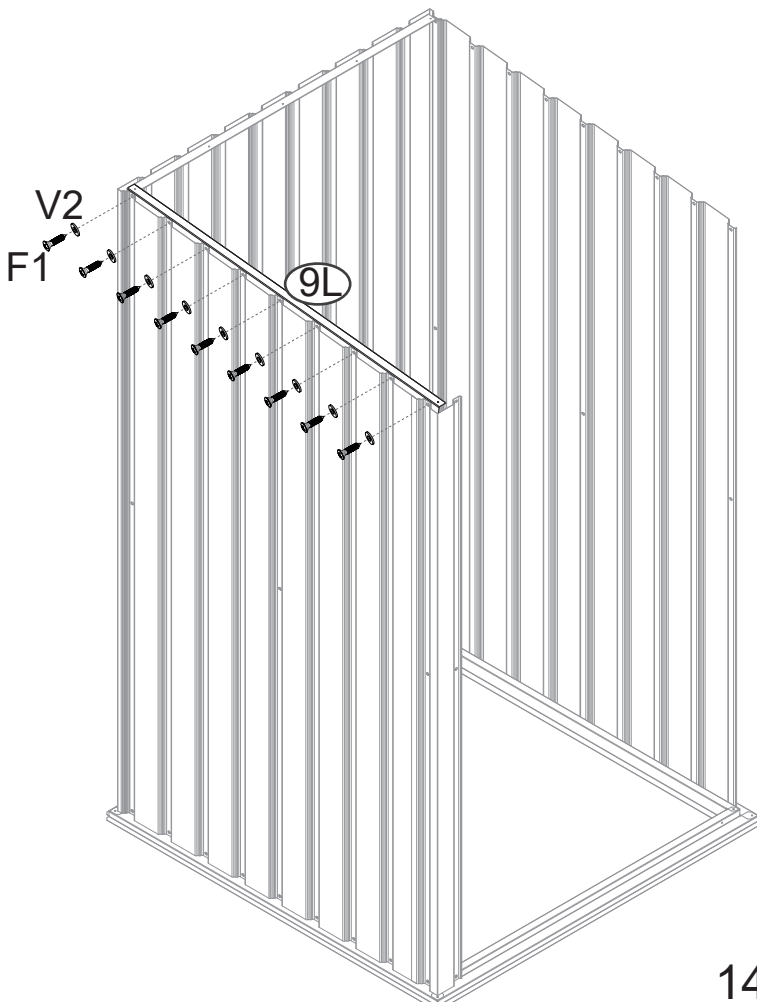
# STEP 10



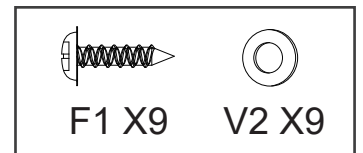
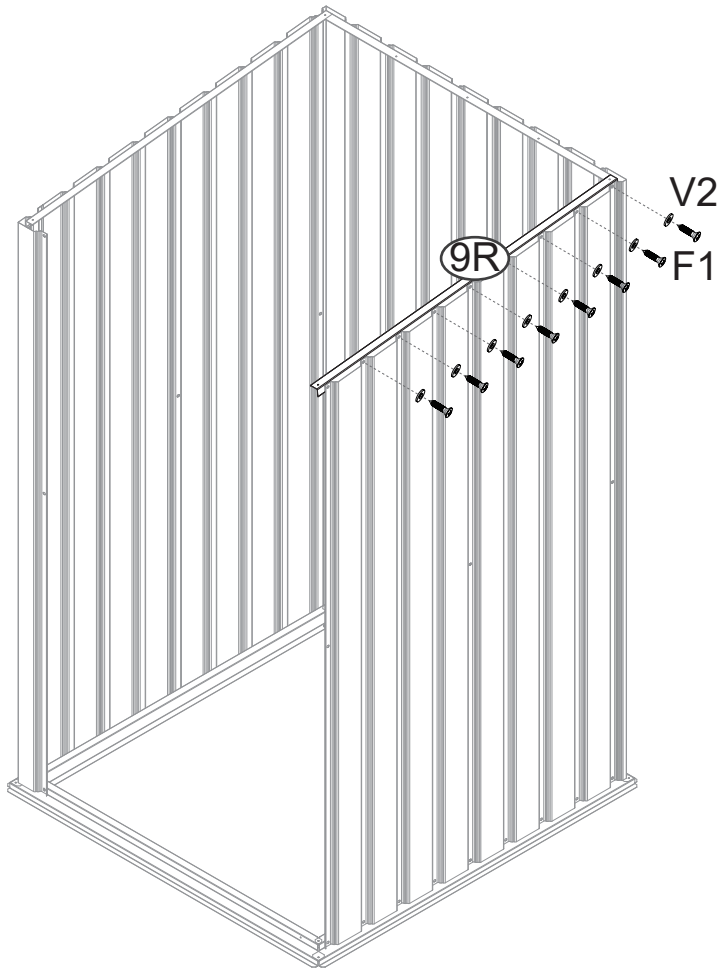
# STEP 11



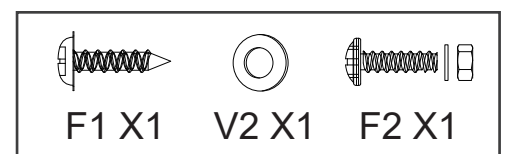
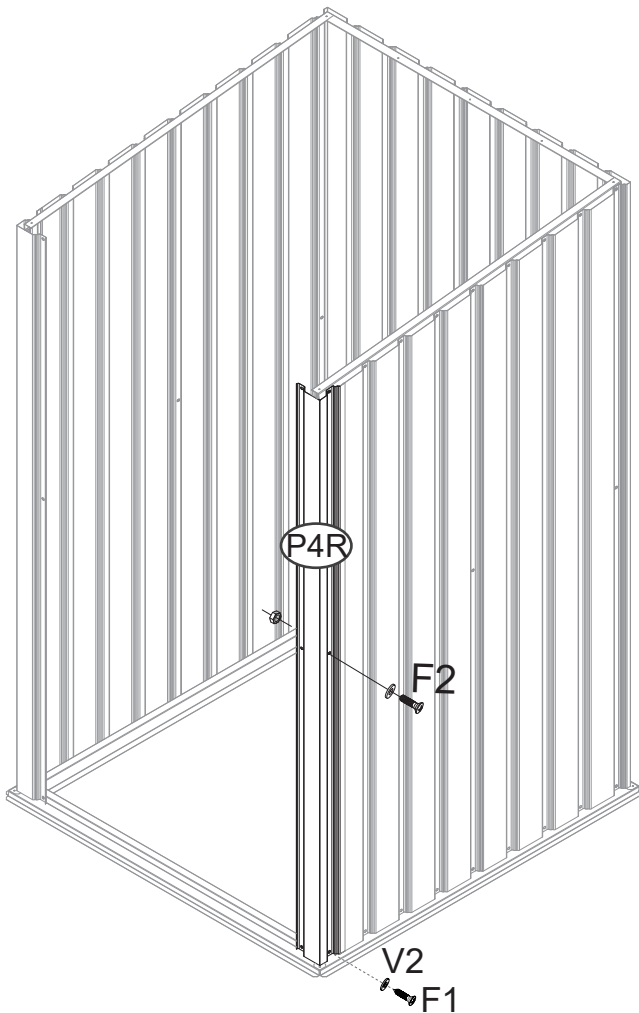
# STEP 12



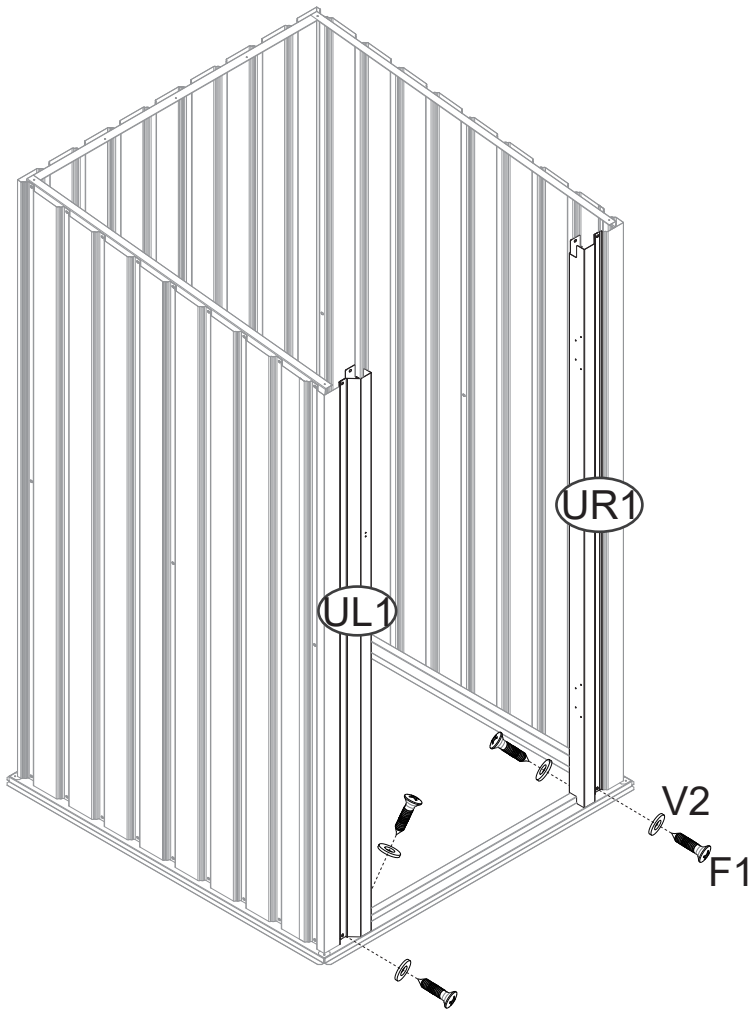
# STEP 13



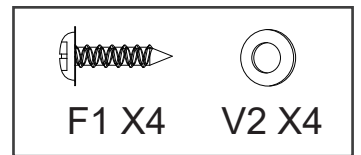
# STEP 14



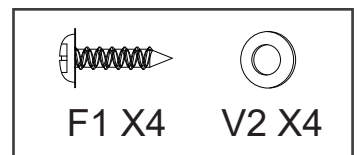
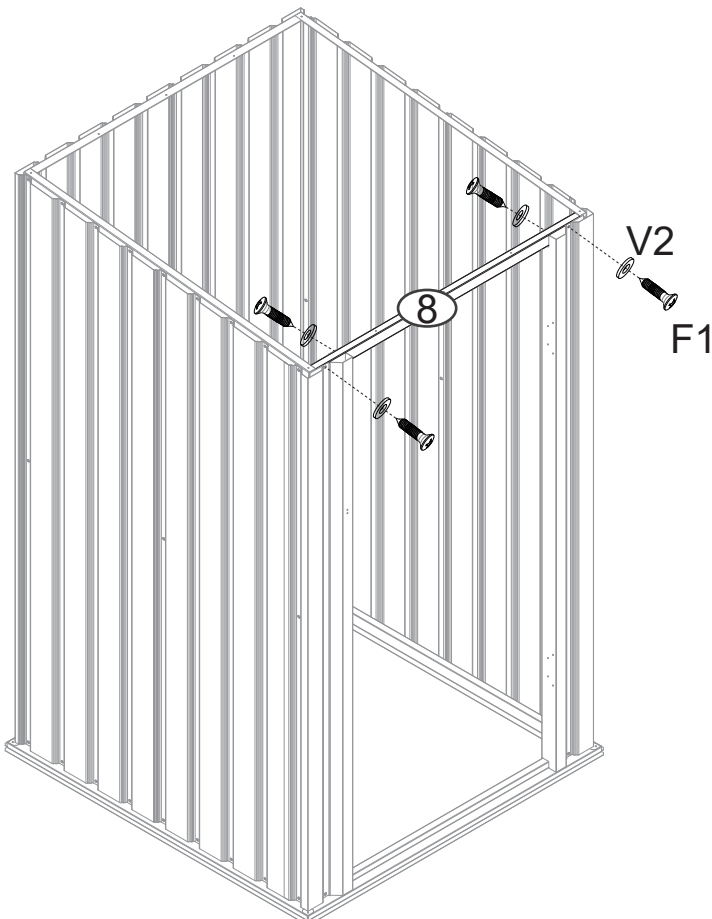
# STEP 15



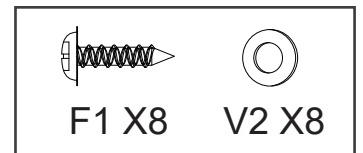
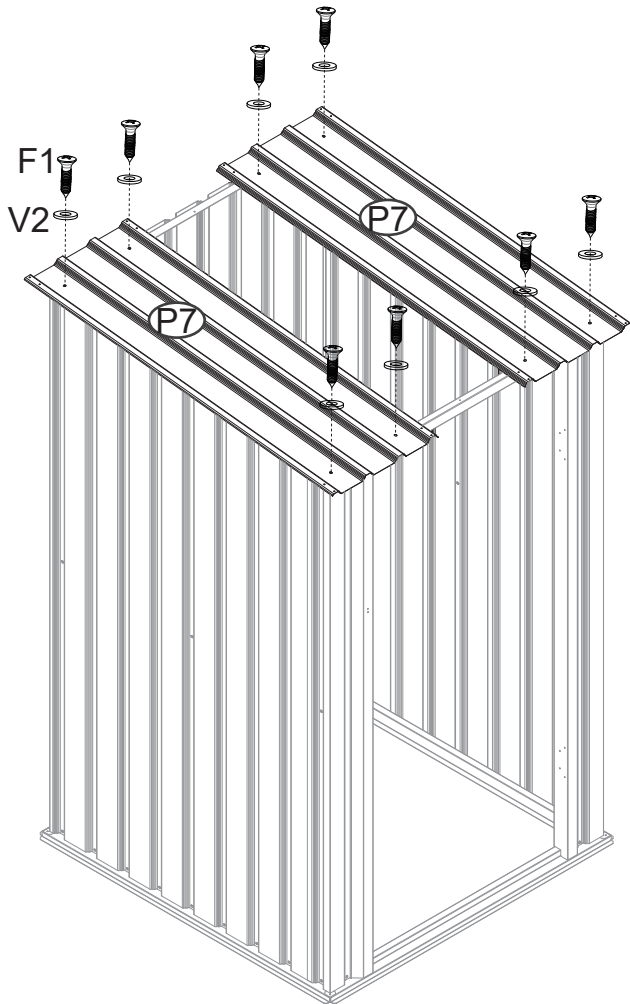
UL1 and UR 1 There are holes on the inside and outside. All need to be fixed with screws.



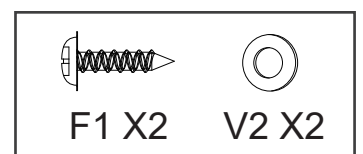
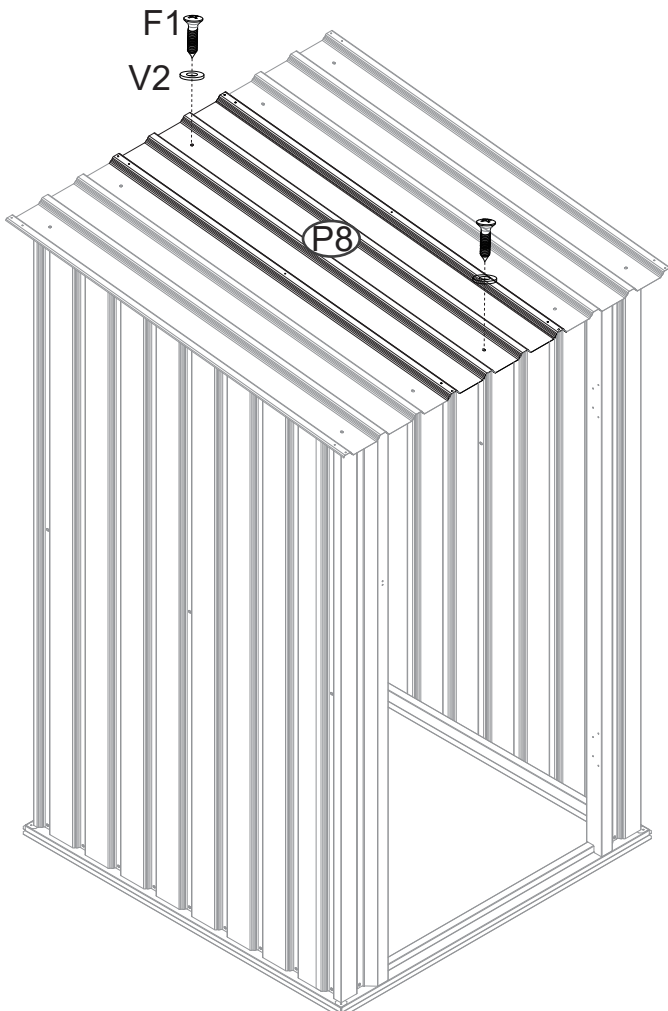
# STEP 16



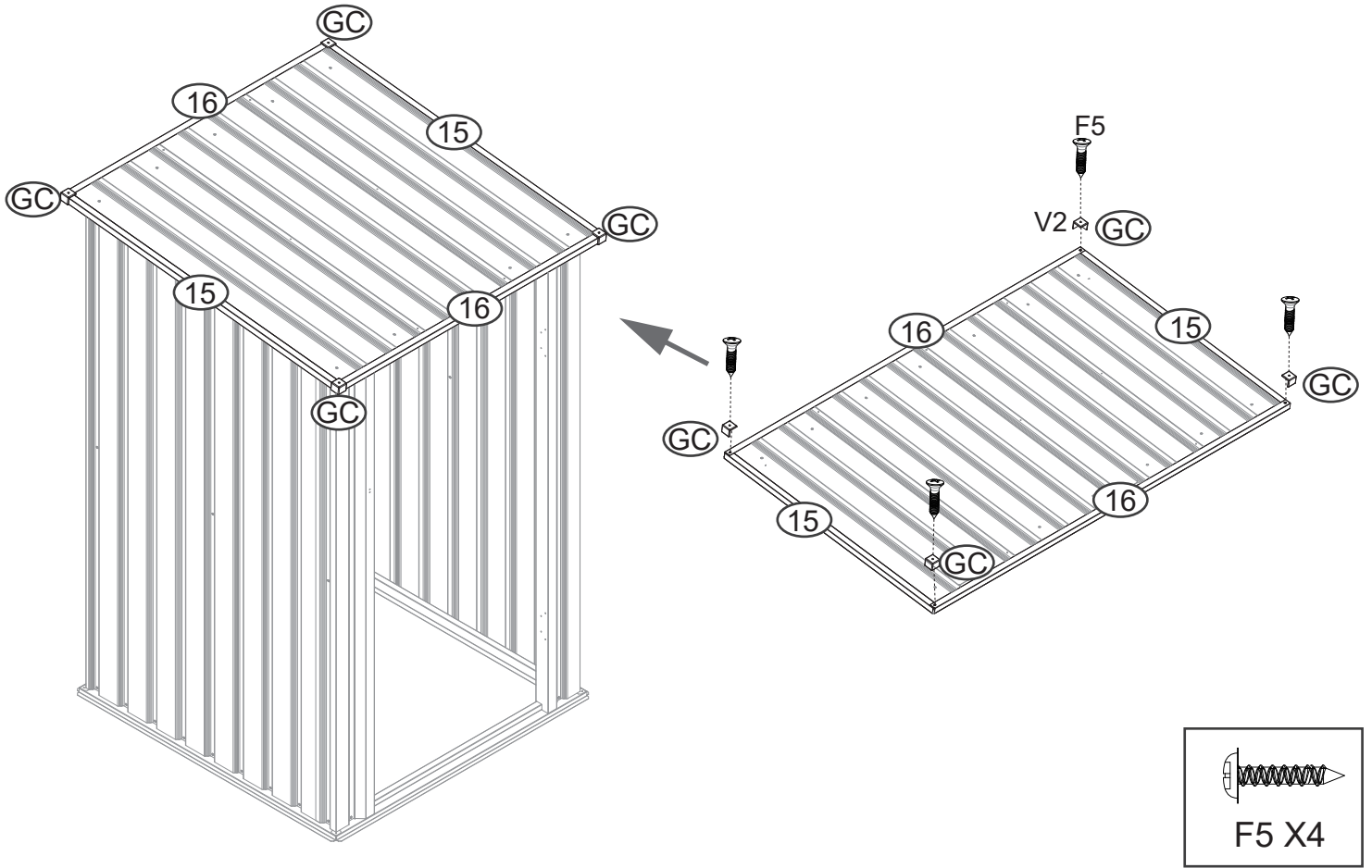
# STEP 17



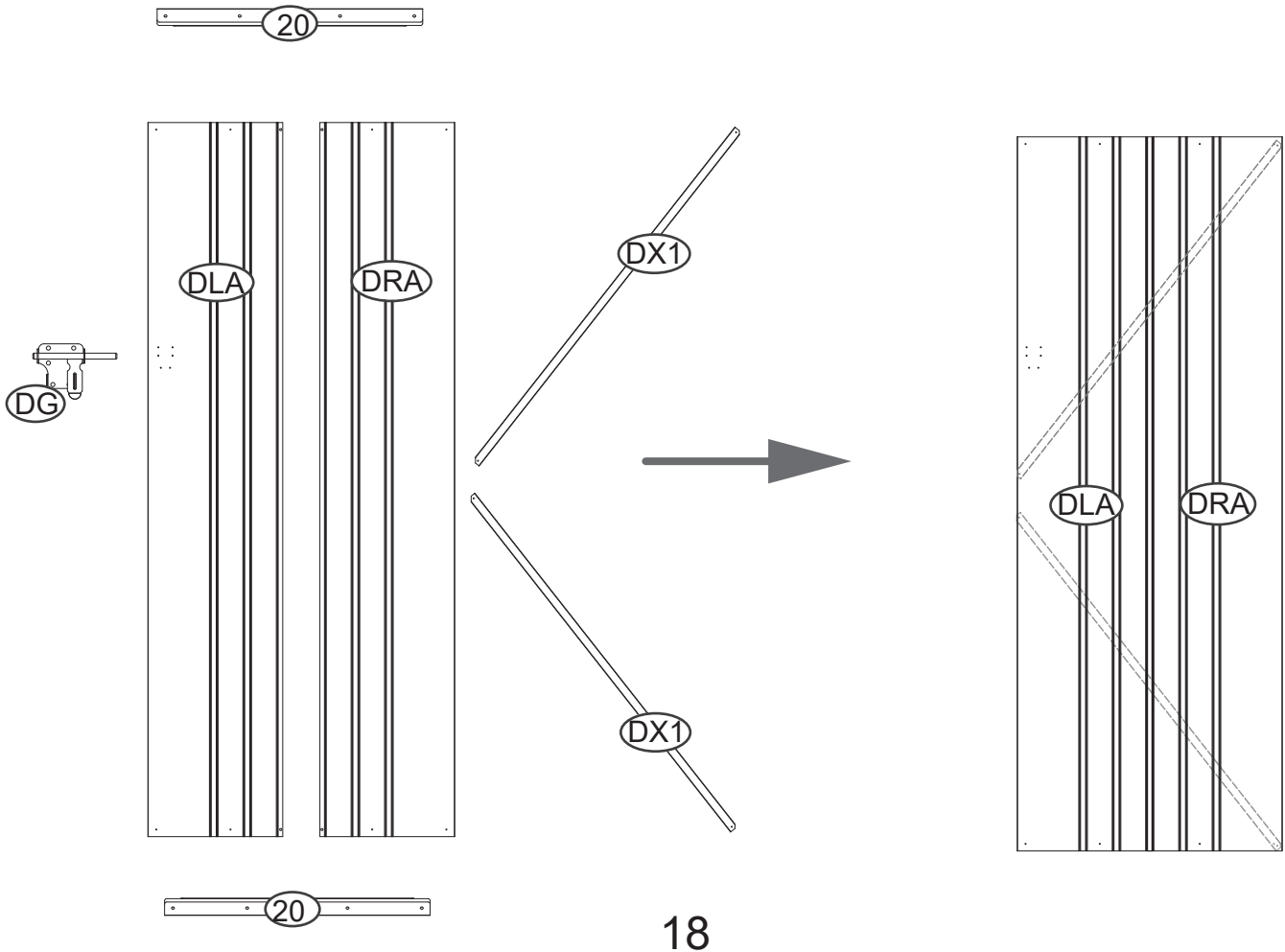
# STEP 18



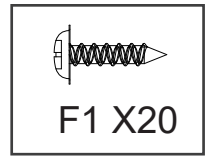
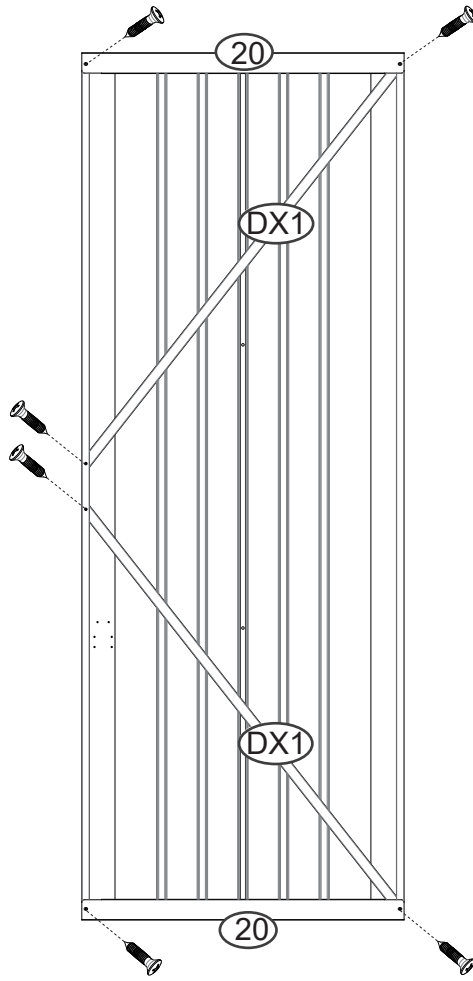
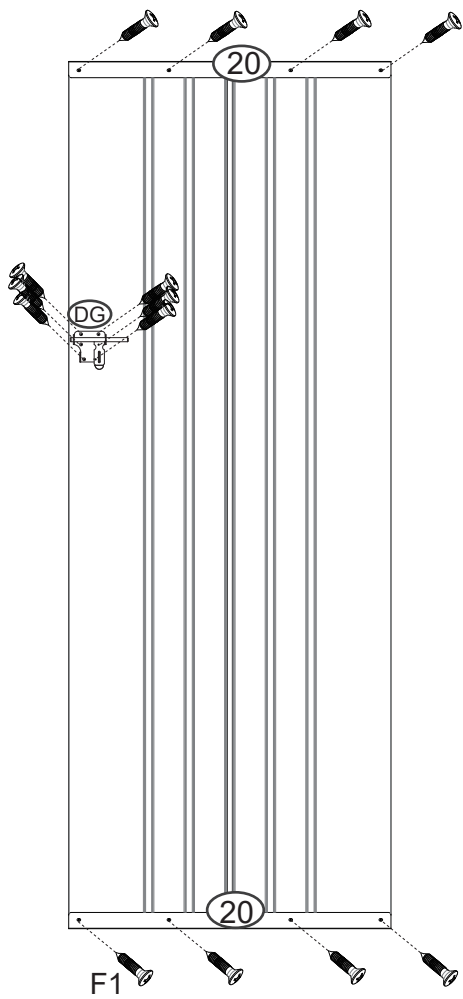
# STEP 19



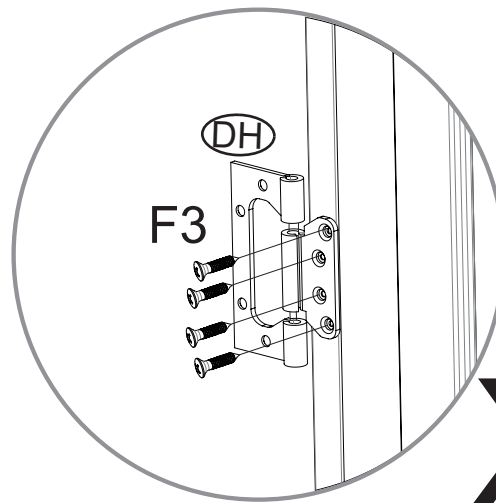
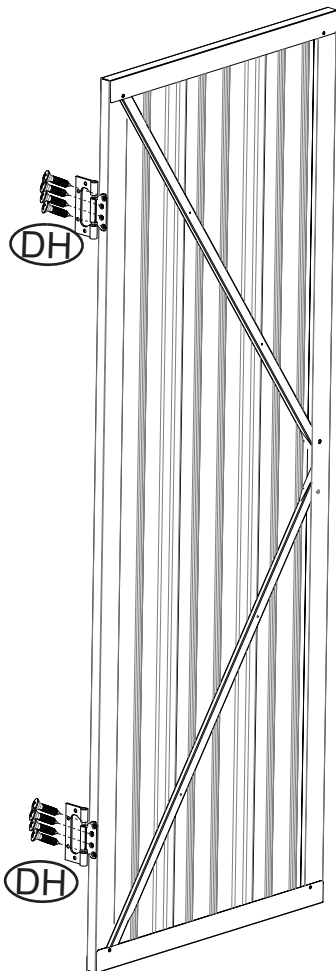
# STEP 20



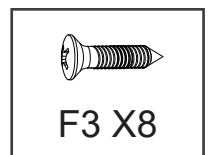
# STEP 21



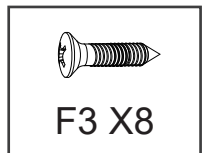
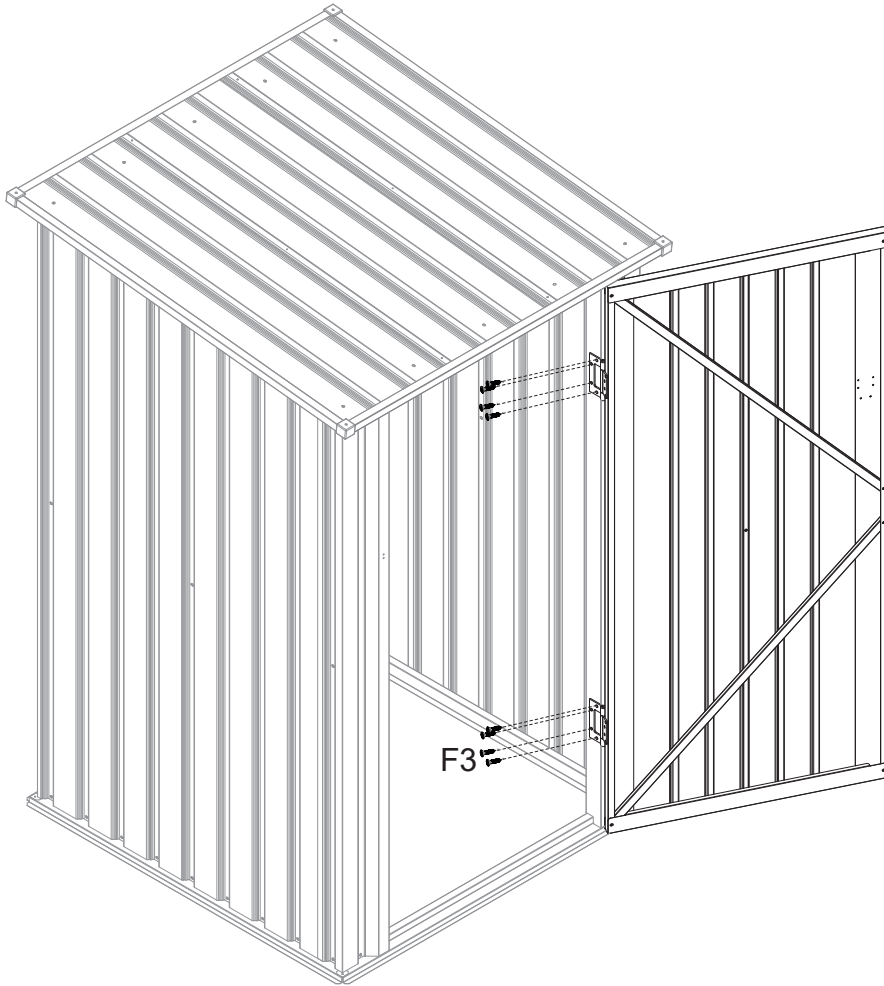
# STEP 22



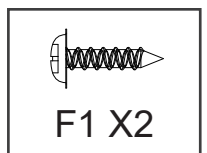
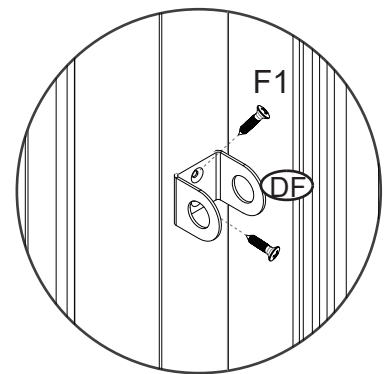
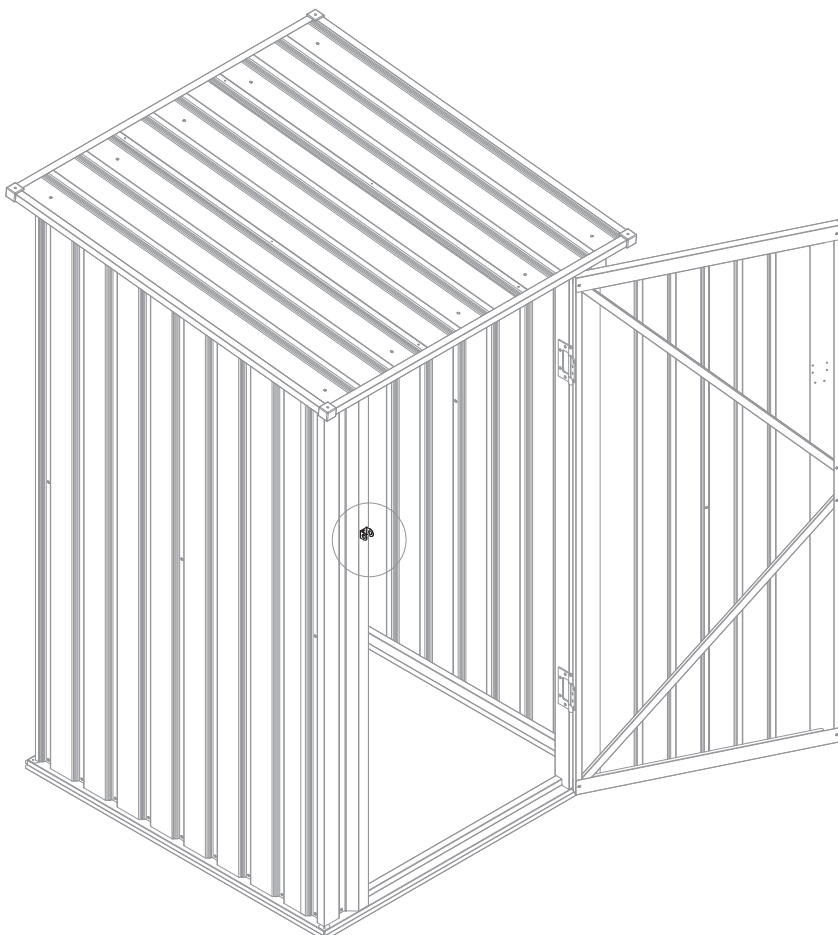
**X2**



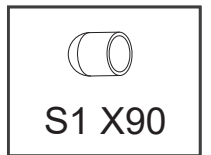
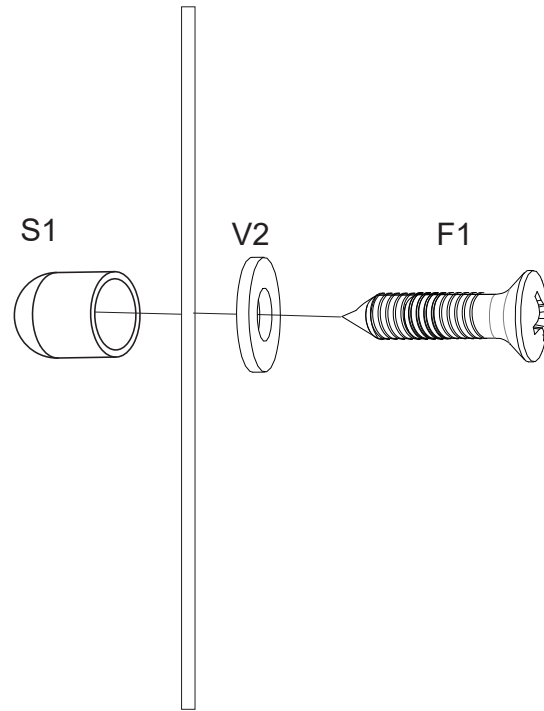
# STEP 23



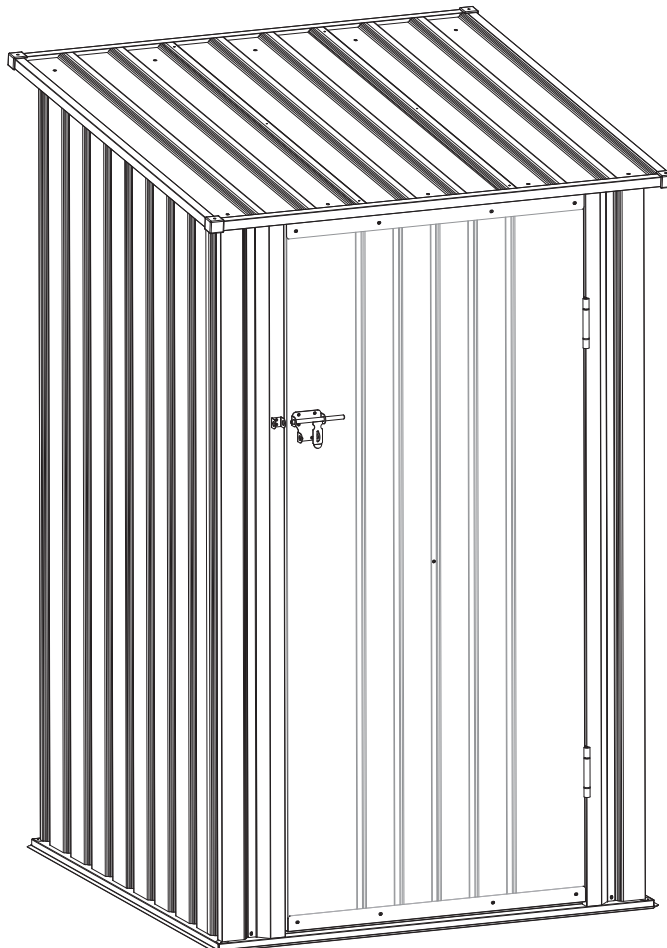
# STEP 24



# STEP 25



# FINISH



## CARE & SAFETY

- In case of fire, do not attempt to extinguish any burning polypropylene with water
- Unsuitable for storage of flammable or corrosive substances
- It is of utmost importance to assemble all of the parts according to the directions. Do not skip any step.
- Please consult your local authorities if any permits are required to erect shed.
- Periodically check shed to assure that it remains stable and that the site remains level.
- It is highly recommended to secure the shed to an immovable object or to the ground by drilling holes in the floor at the pre-marked locations and inserting proper screws into the ground (size: 1.9"-3" ,screws are not included).
- Wear safety-goggles and always follow the manufacturer's instructions when using power tools.
- Wash shed with garden hose or a mild detergent solution. Using a stiff brush or abrasive cleaner could damage shed.
- Hot items such as recently used grills, blowtorches, etc. must not be stored in the shed.
- Heavy articles should not be leaned against the walls, as this may cause distortion.
- Keep roof clean of snow and leaves. Heavy amounts of snow on roof can damage the shed making it unsafe to enter.
- Although wind direction varies, it is an important factor when taking into account where to place your shed. Therefore, it is recommended to reduce wind exposure of the shed in general, and the door side in particular.
- Keep doors closed and locked to prevent wind damage.
- Do not stand on the roof.