

# DROP LEAF TABLE ASSEMBLY INSTRUCTION

Thank you for purchasing this quality product. Be sure to check all packing material carefully for small parts which may have come loose inside the carton during shipment. Separate, identify and count all parts and hardware. Compare with the parts list to be sure all parts are present.

**IMPORTANT : PLEASE READ INSTRUCTION BEFORE STARTING THE ASSEMBLY.**

**"DO NOT TIGHTEN SCREWS UNTIL COMPLETELY ASSEMBLED"**

**"DO NOT OVERTIGHT ANY HARDWARE"**

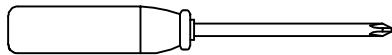
**WARNING : SMALL PARTS AND HARDWARE NOT FOR CHILDREN UNDER 3 YEARS. ADULT ASSEMBLY REQUIRED.**

## TABLE OF CONTENTS

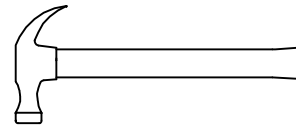
HARDWARES LIST	PAGE 2
PARTS LIST	PAGE 3
PARTS' LOCATION	PAGE 4
ASSEMBLY STEPS	PAGE 5-7
ASSEMBLY COMPLETED	PAGE 7

## ASSEMBLY TOOLS REQUIRED

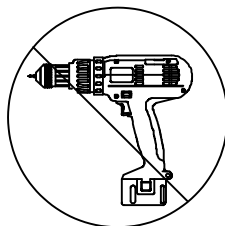
### 1. Screwdriver (not provide)



### 2. Hammer (not provide)





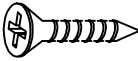
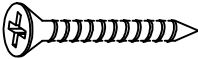
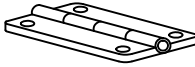



Skip the power drill this time.



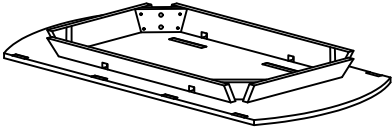


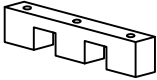

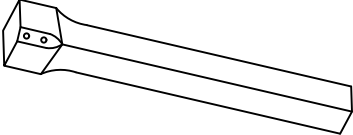
# DROP LEAF TABLE ASSEMBLY INSTRUCTION

## HARDWARES LIST

ITEM	DESCRIPTION	DRAWING	QTY
A	JCBB SCREW M8 x 70MM		8 PCS
B	SPRING WASHER M8 x 13MM		8 PCS
C	FLAT WASHER M8 x 22MM		8 PCS
D	M5 ALLEN KEY (65MM)		1 PC
E	CSK C/B SCREW M3.5 x 16MM		40 PCS
F	CSK C/B SCREW M4 x 32MM		12 PCS
G	4 HOLE HINGES		8 PCS
H	PLASTIC STOPPER C86		4 PCS

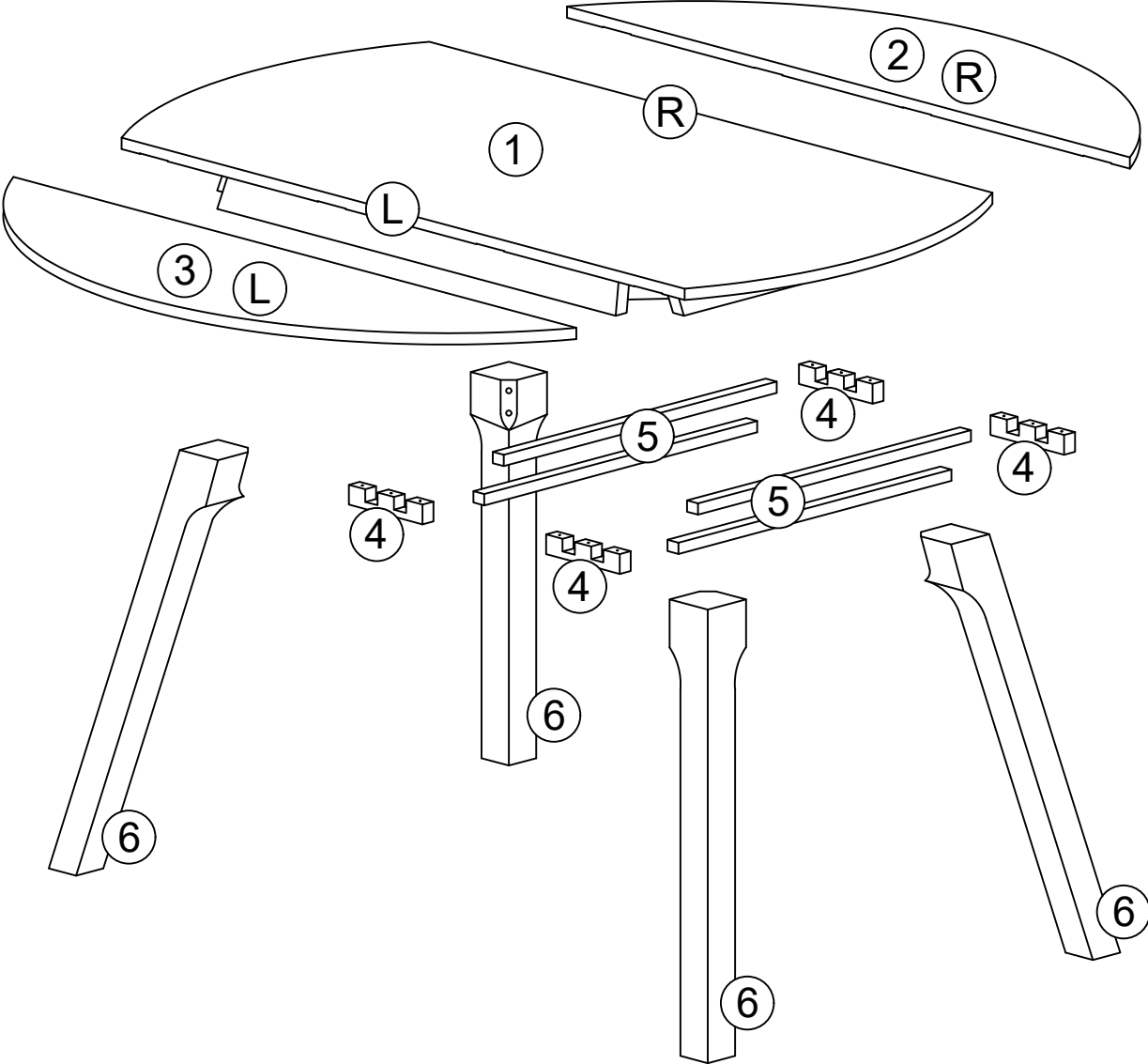
# DROP LEAF TABLE ASSEMBLY INSTRUCTION

## PARTS LIST

ITEM	DESCRIPTION	DRAWING	QTY
1	TABLE TOP WITH LABEL "L / R"		1 PC
2	TABLE SIDE PANEL WITH LABEL "R"		1 PC
3	TABLE SIDE PANEL WITH LABEL "L"		1 PC
4	TABLE SUPPORT		4 PCS
5	TABLE SIDE PANEL SUPPORT		4 PCS
6	LEG		4 PCS

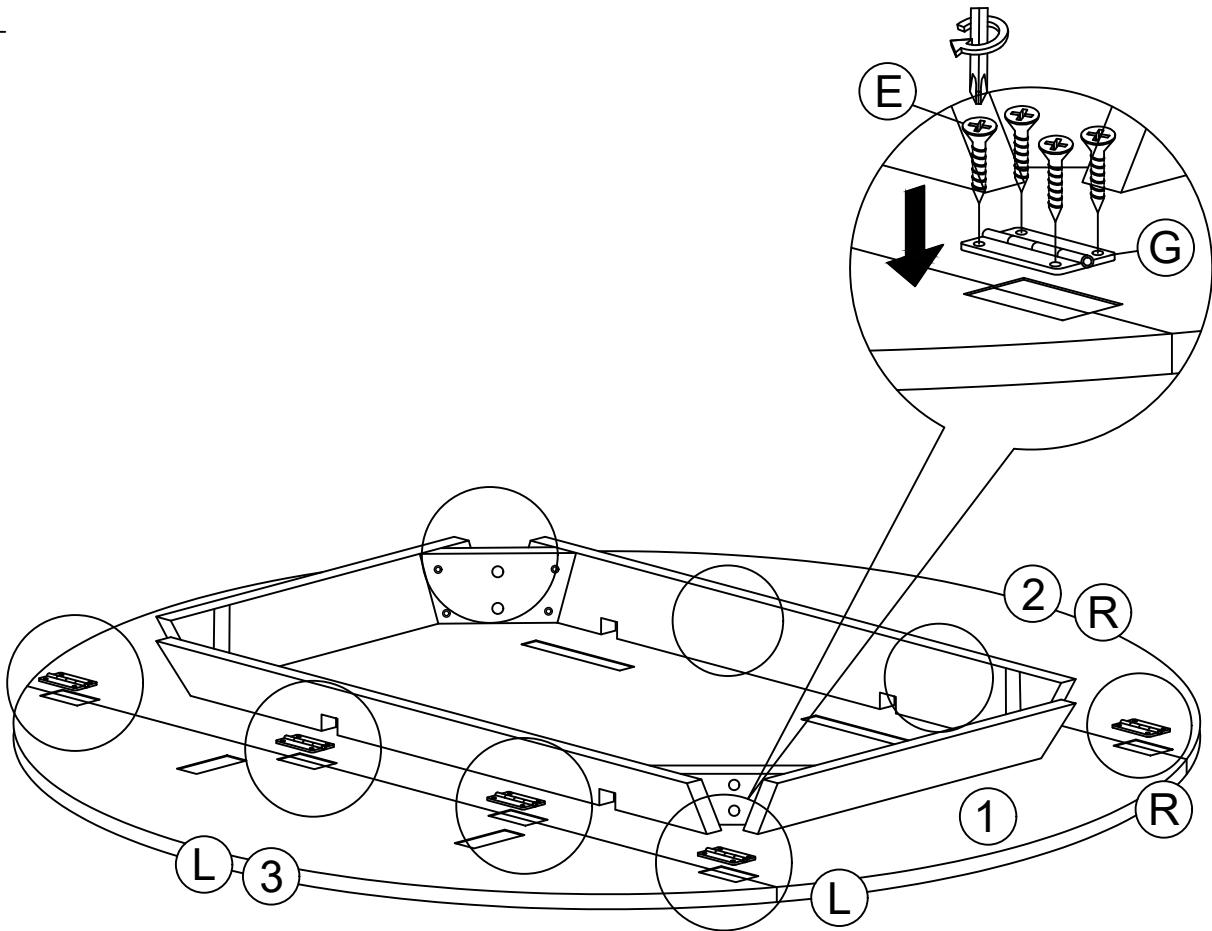
DROP LEAF TABLE ASSEMBLY INSTRUCTION

PARTS ' LOCATION

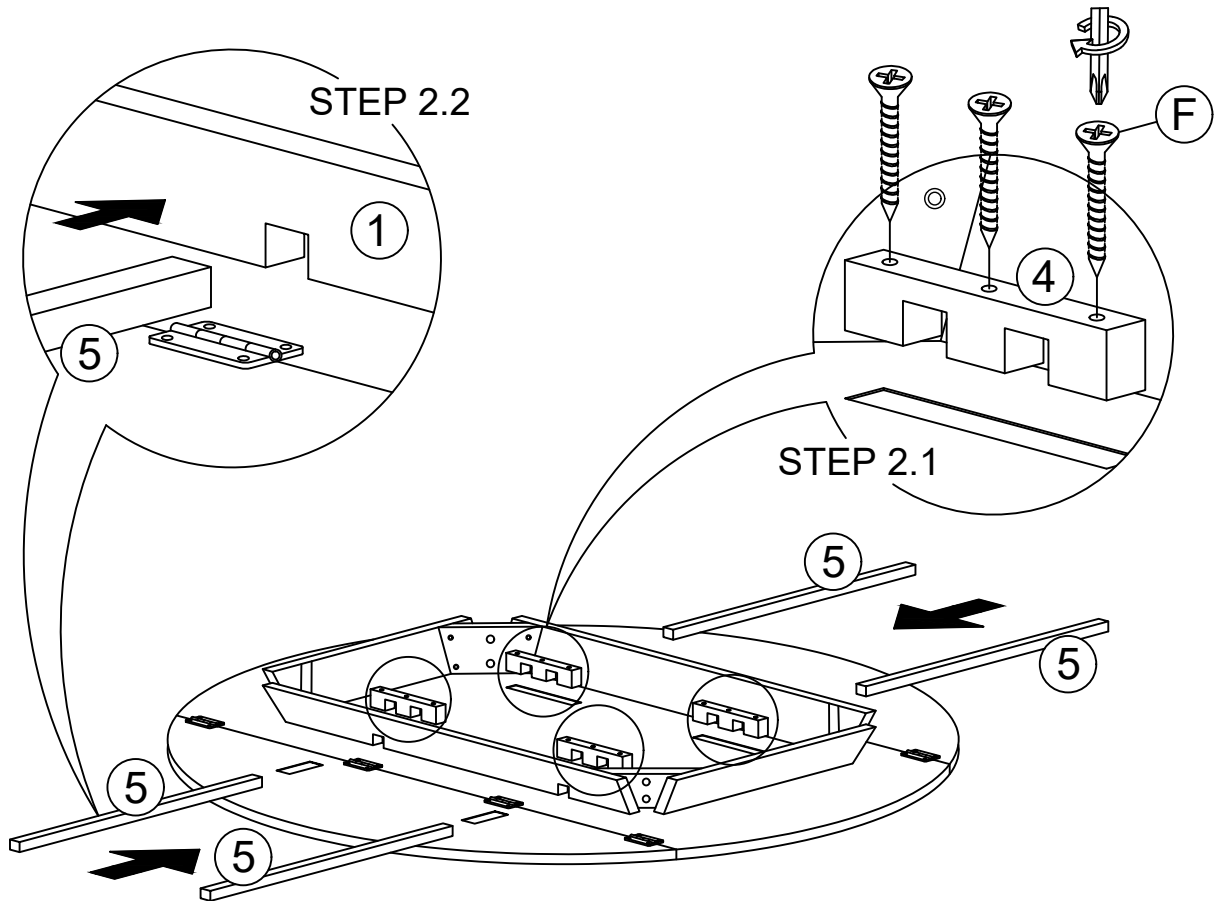


# DROP LEAF TABLE ASSEMBLY INSTRUCTION

## STEP 1

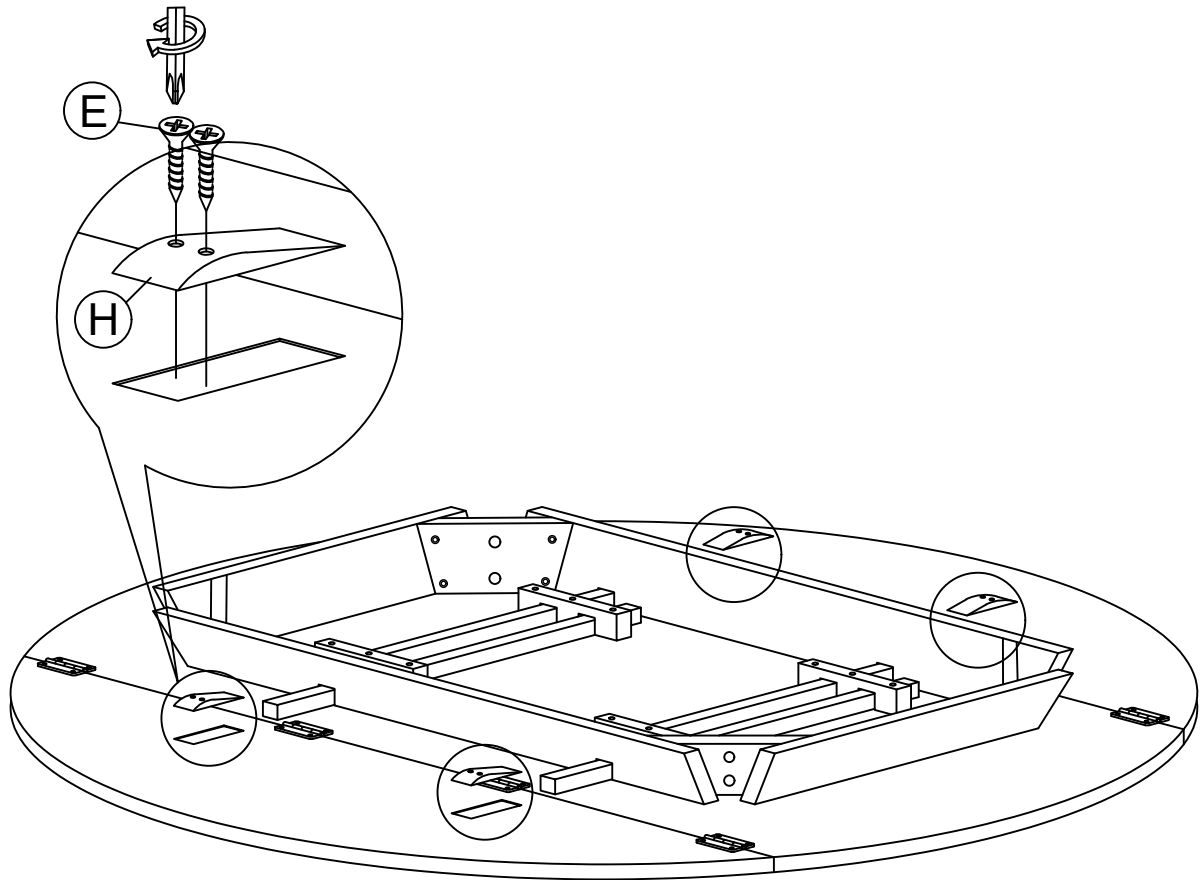


## STEP 2

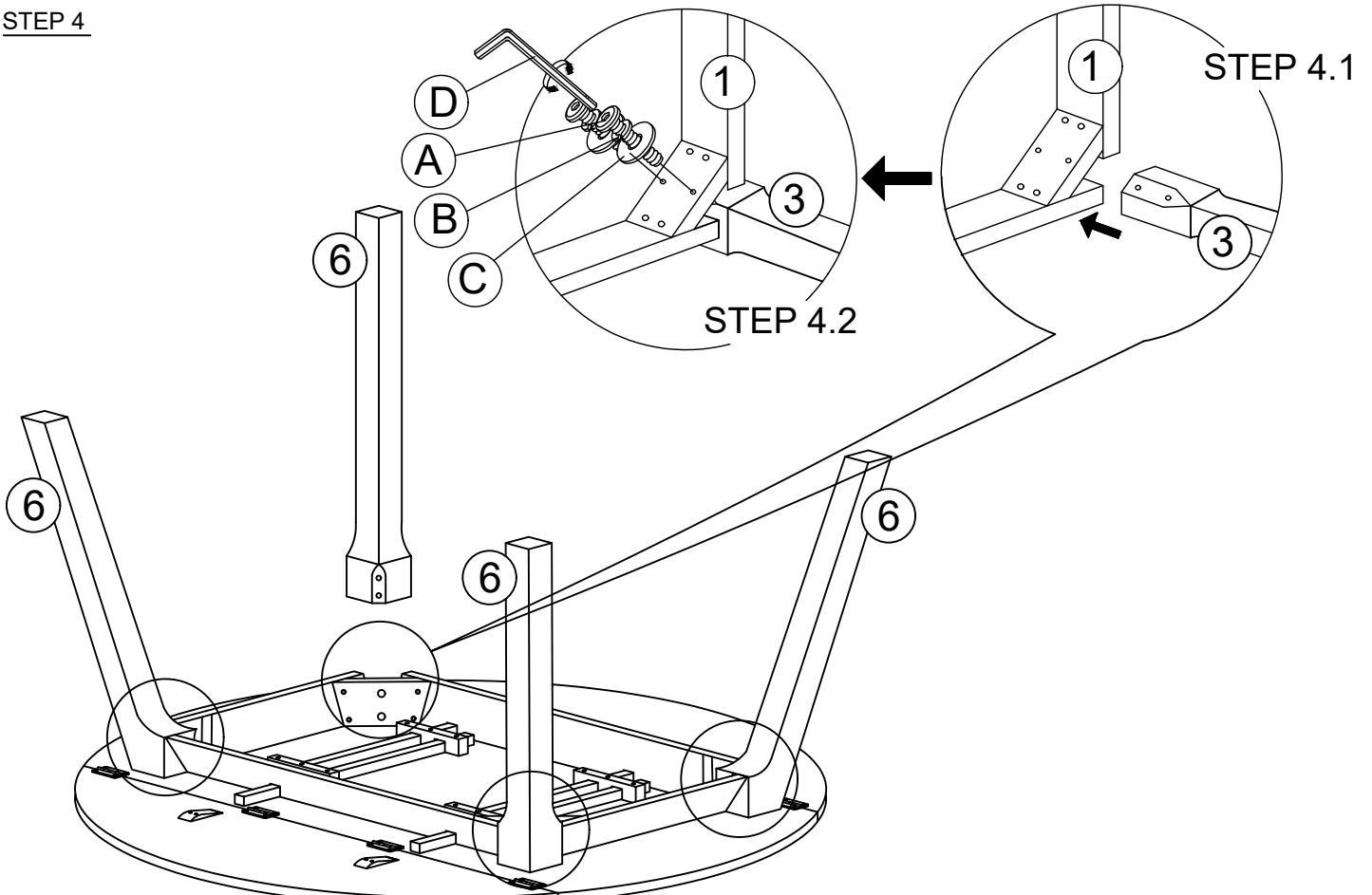


# DROP LEAF TABLE ASSEMBLY INSTRUCTION

## STEP 3

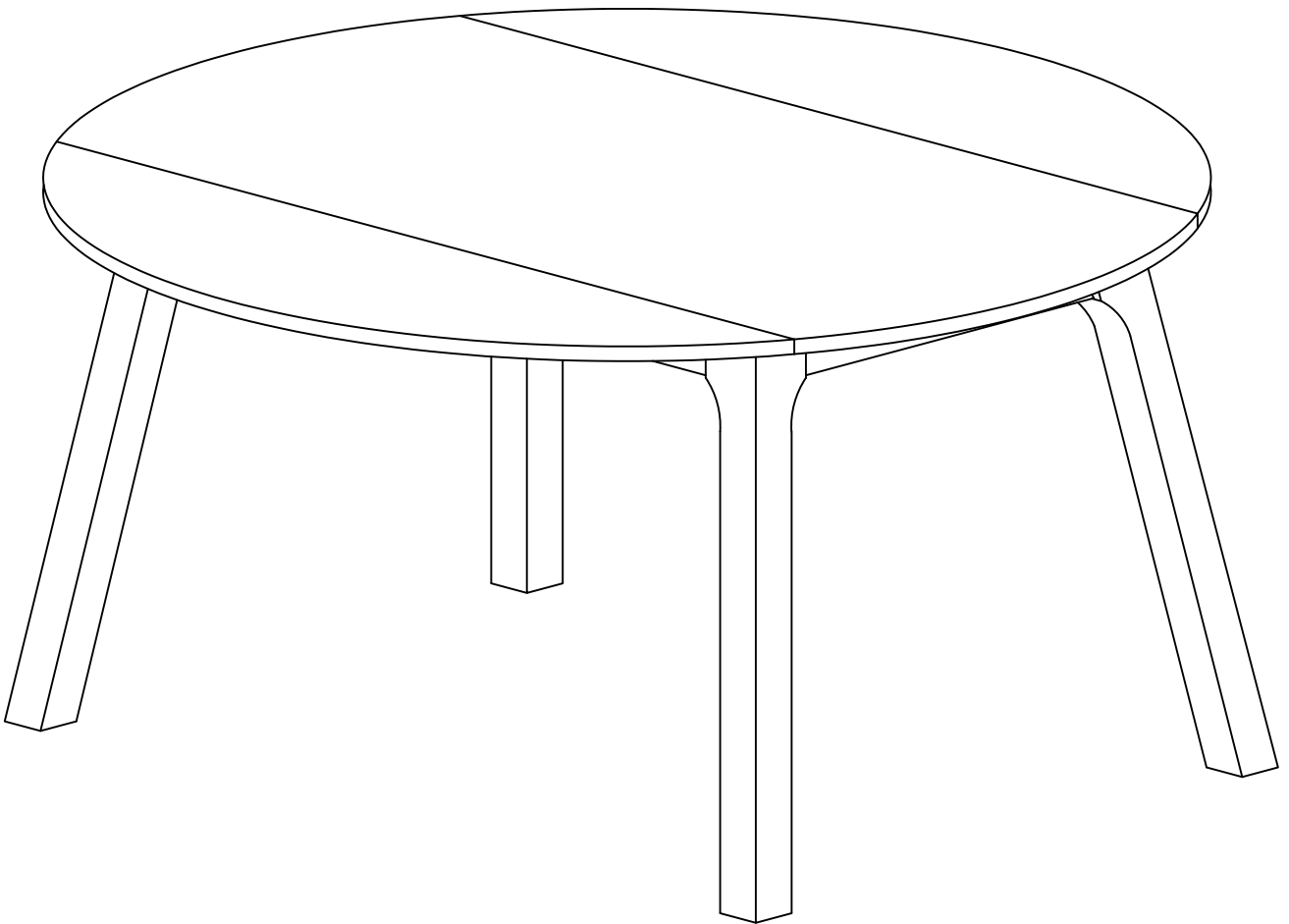


## STEP 4



# DINING TABLE ASSEMBLY INSTRUCTION

## STEP 5



**ASSEMBLY  
COMPLETED**