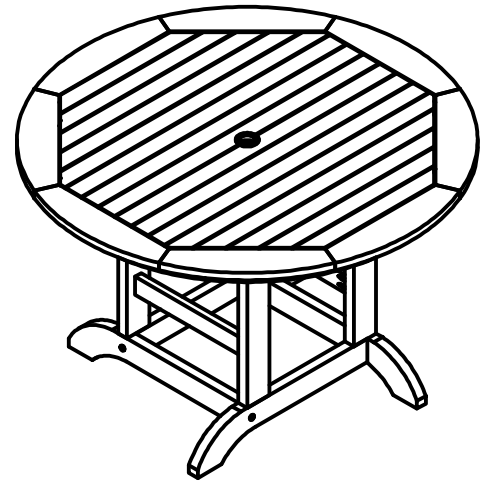


Round Dining Table




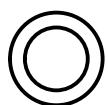
Assembly Guide

BRT36
BRT48
CRT36
CRT48
DRT36
DRT48

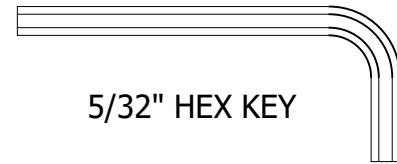


*Actual Style May Vary from
the One Pictured in this Guide

HARDWARE INCLUDED

- A**  Qty: 4
1/4-20 x 2"
- B**  Qty: 4
1/4-20 x 2.5"
- C**  Qty: 4
1/4-20 x 5"
- D**  2" UMBRELLA GROMMET Qty: 1

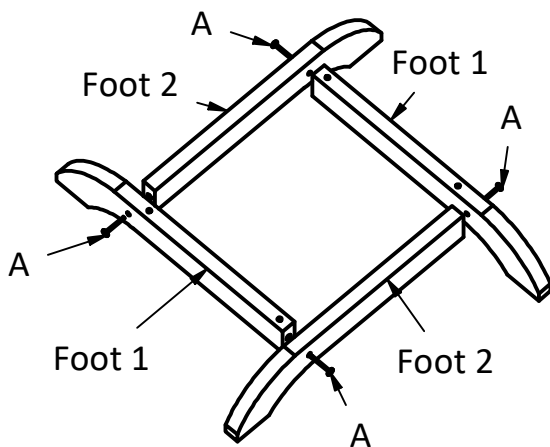
TOOLS INCLUDED



5/32" HEX KEY

IMPORTANT!

DO NOT fully tighten bolts until all bolts are started.



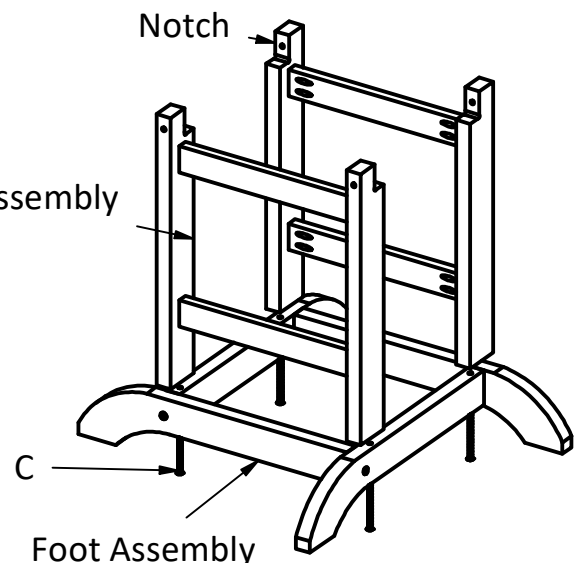
1. Assemble Feet together like the image to the left.
This will require (4) A Bolts.

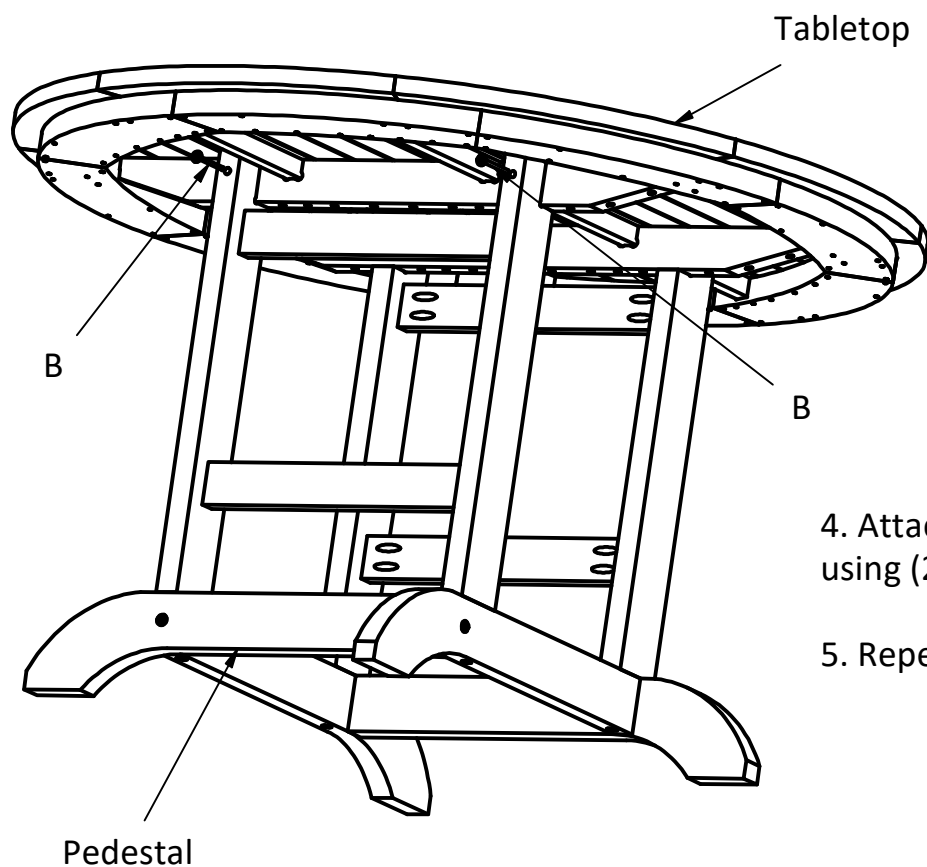
Note: The feet with the extra holes need to be across
from each other as shown here.

2. Attach the Leg Assembly to the
Foot Assembly using (2) C Bolts.

3. Repeat for the other Leg Assembly.

Note: Make sure the notch in the Leg
Assembly is facing in.





4. Attach the Tabletop to the Pedestal using (2) B Bolts.

5. Repeat on the other side.

Umbrella Grommet



6. Install Umbrella Grommet in the Tabletop.