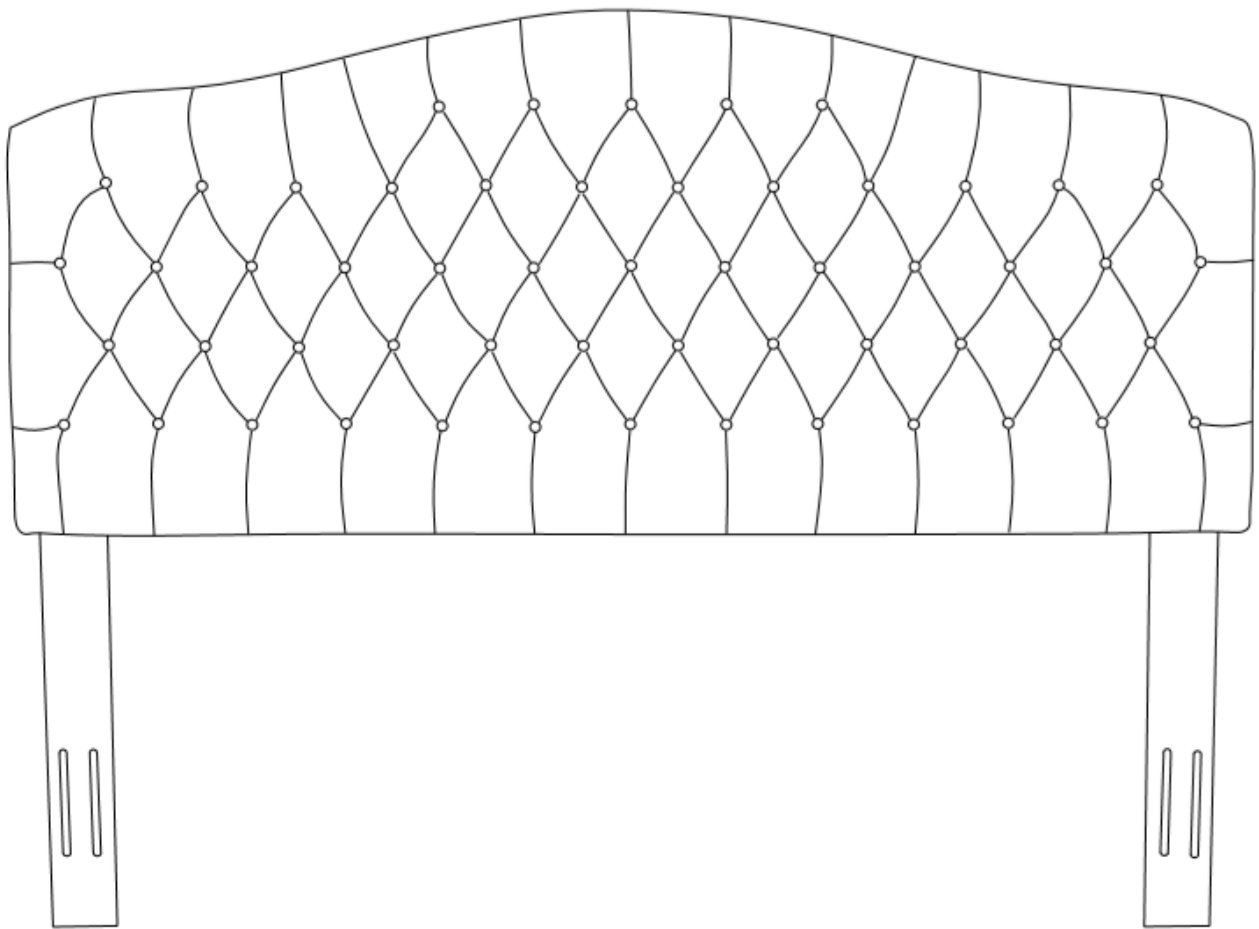


King/Cal King Size Adjustable Headboard



>>assembly instructions

Congratulations on your latest purchase.

Now what? Don't start sweating over this box of parts. This will be easy. We did the hard work for you. All you need to do is follow our simple instructions and you'll be on your way to transforming your room in no time. Good luck—though we're confident you won't need it.

Before you begin:

1. Customers can email service@eluxury.com or call 1-800-977-7433 to order missing supplies.
2. Use the carton as a working surface to prevent product damage during assembly.
3. Gather all tools prior to assembly.

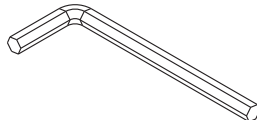
Assembly Tips:

1. Remove hardware from box and sort by size.
2. Please check to see that all hardware and parts are present prior to start of assembly.
3. Please follow attached instructions in the same sequence as numbered to assure fast and easy assembly.

Warning:

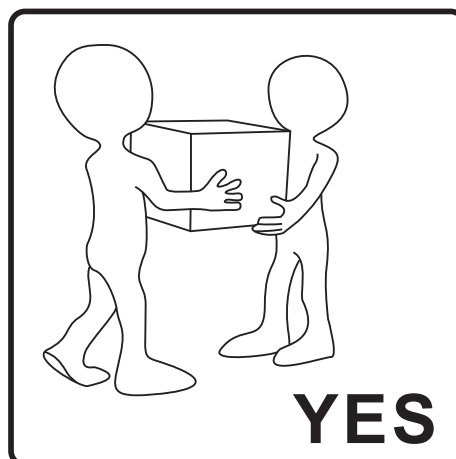
1. Don't attempt to repair or modify parts that are broken or defective. Please contact our service department immediately.
2. This product is for home use only and not intended for commercial establishment.

A friendly reminder from us:



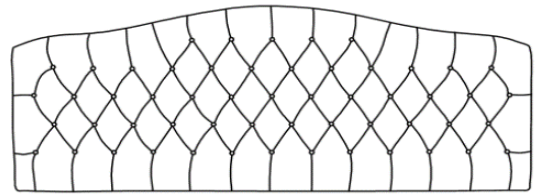
Please keep the Allen wrench.

After a period of time, there may be a chance the furniture may become loose. Please use an Allen wrench to tighten the loose bolts.

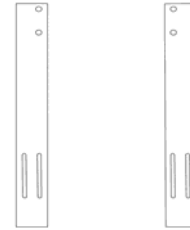


ITEM DESCRIPTION QUANTITY

1. Headboard panel 1

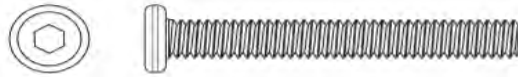


2. Post 2

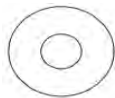


HARDWARE

(A) x 4
8 x 50mm
round hex screw



(B) x 4
8 x 25 x 2
flat washer



(C) x 4
8mm lock washer



(D) x 1
5mm Allen wrench



(E) x 4
6 x 50mm
round hex screw



(F) x 8
6 x 20 x 2
flat washer



(G) x 4
6mm lock washer



(H) x 4
6mm nut

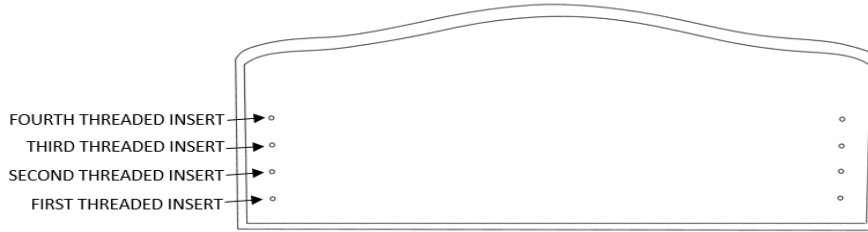


(I) x 1
4mm lock washer

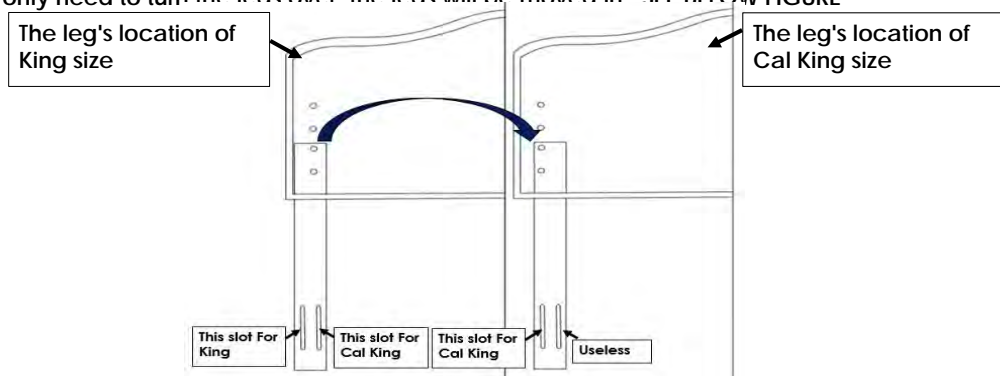


Instruction Sheet

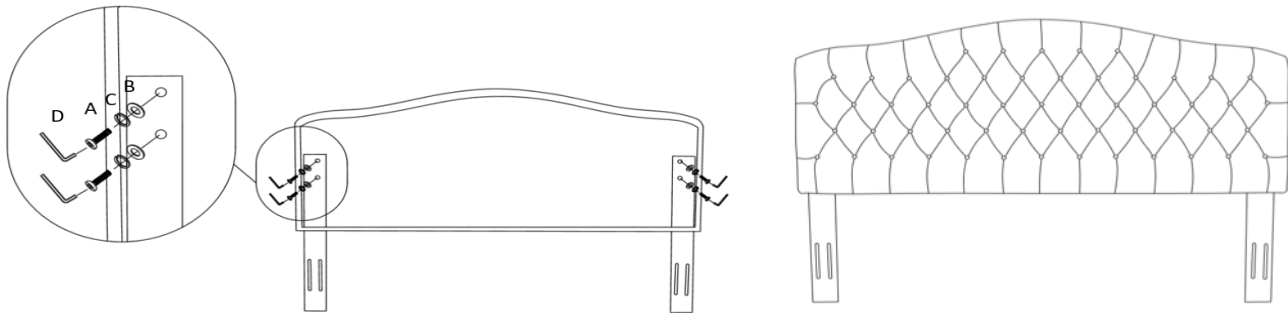
- . Place the headboard panel (1) face down on flat and clean surface.
- . Align pilot holes on headboard post (4) with threaded inserts on back of headboard panel (1).



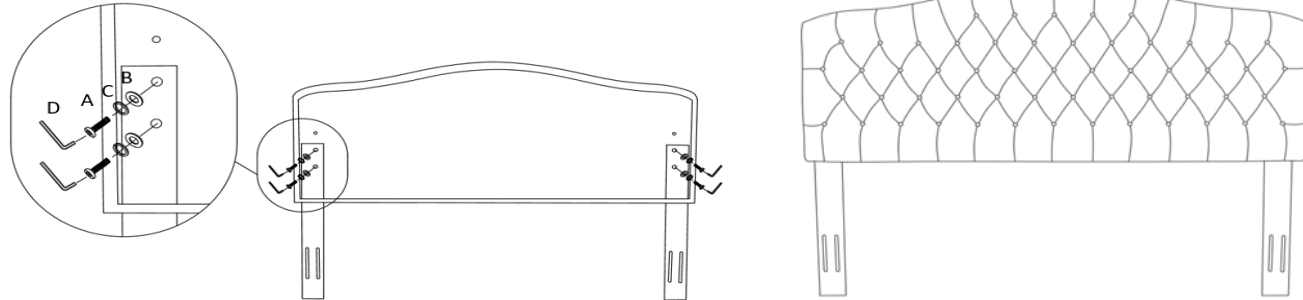
NOTE: When assemble the King size HB, the legs need to be assembled against the edge of the headboard, when assemble the Cal king size HB, only need to turn the legs over, the legs will be moved in SEE BELOW FIGURE



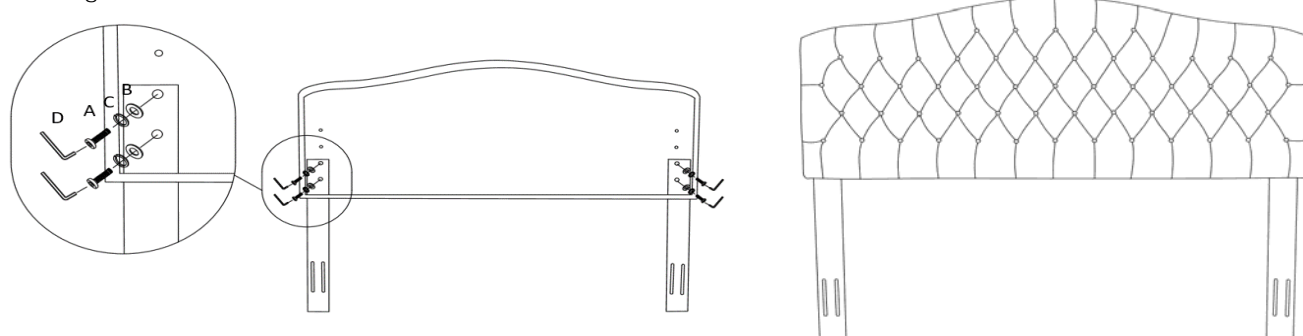
.....
 Height 1 (the same operation for King and Cal king size): Use the third and fourth threaded inserts on back headboard panel for the lowest headboard. SEE BELOW FIGURE



.....
 Height 2 (the same operation for King and Cal king size): Use the second and third threaded inserts on back headboard panel for the higher headboard. SEE BELOW FIGURE



.....
 Height 3 (the same operation for King and Cal king size): Use the first and second threaded inserts on back headboard panel for the highest headboard. SEE BELOW FIGURE



Instruction Sheet

Connect the legs to the bed frame.

