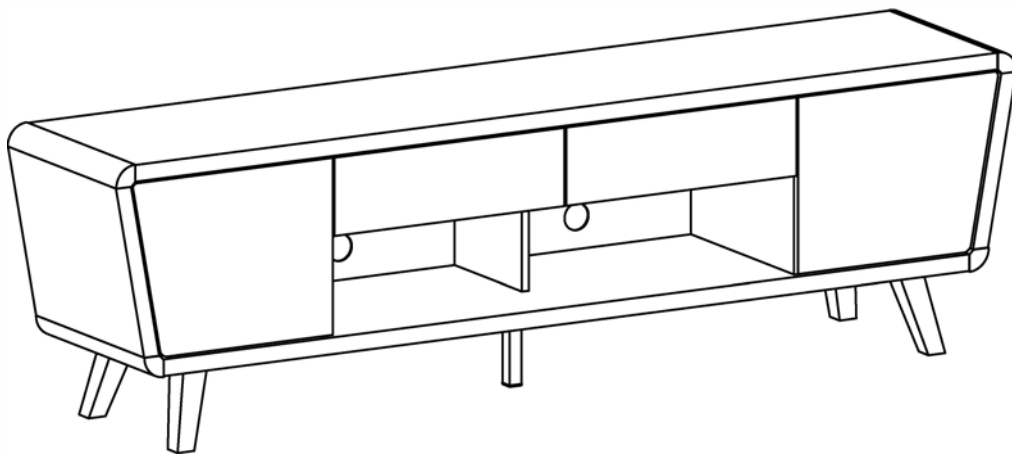


# *ASSEMBLY INSTRUCTIONS*



***Tv Stand***

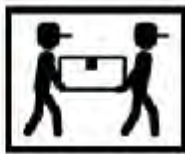
## ASSEMBLY INSTRUCTIONS

### ASSEMBLY TIPS:

- 1.Remove hardware from box and sort by size.
- 2.Please check to see that all hardware and parts are present prior to start of assembly.
- 3.Please follow attached instructions in the same sequence as numbered to assure fast & easy assembly.

### Warning !!

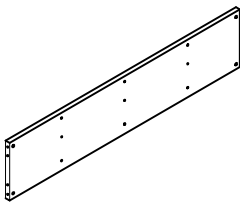
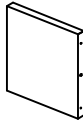
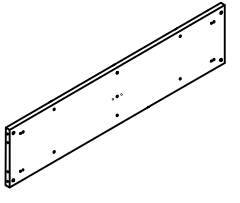
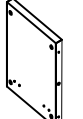
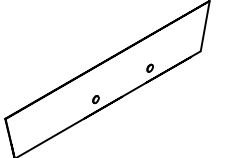

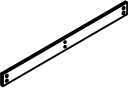
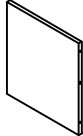
1. Don't attempt to repair or modify parts that are broken or defective. Please contact the store immediately.
2. This product is for home use only and not intended for commercial establishment.



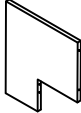
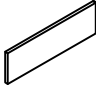
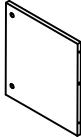
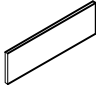



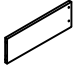

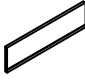

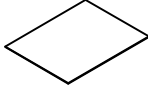
**ASSEMBLY TIME**

**30 MINUTES**

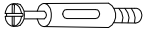

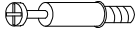



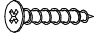
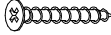




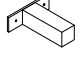

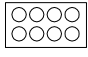
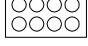


### PARTS IDENTIFICATION

(A) TOP		1 PC	(E) LEFT SIDE PANEL		1 PC
(B) BOTTOM PANEL		1 PC	(F) RIGHT SIDE PANEL		1 PC
(C) BACK PANEL		1 PC	(G) CORNER CONNECTING PIECE		4 PCS
(D) DRAWER SUPPORT BOARD		1 PC	(H) LEFT DIVIDER PANEL		1 PC

## PARTS IDENTIFICATION

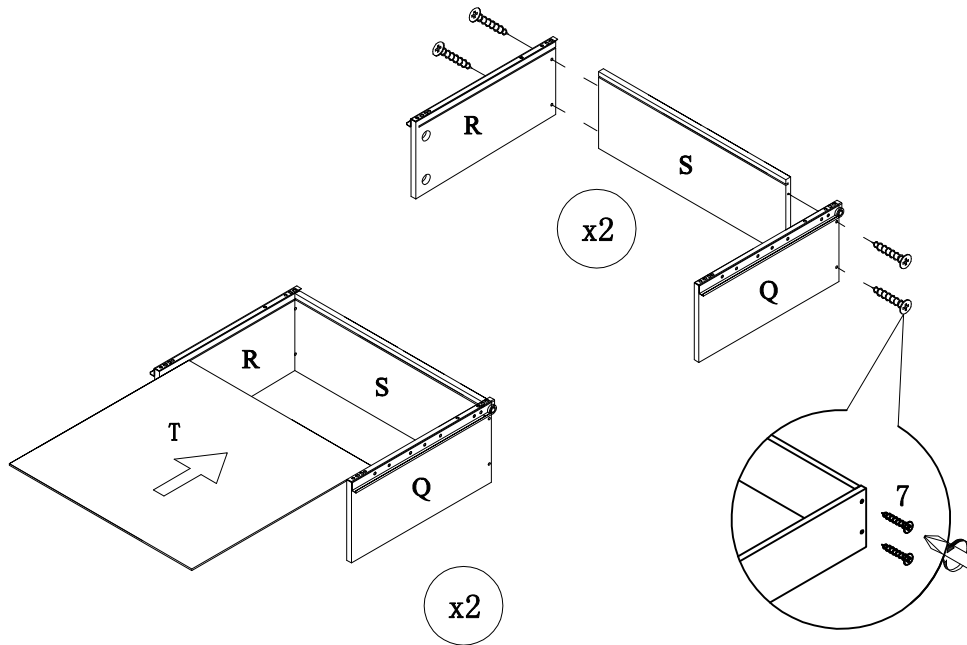
(I) MIDDLE DIVIDER PANEL		1 PC		(O) LEFT DRAWER FRONT PANEL		1 PC
(J) RIGHT DIVIDER PANEL		1 PC		(P) RIGHT DRAWER FRONT PANEL		1 PC
(K) LEFT DOOR		1 PC		(Q) DRAWER LEFT SIDE PANEL		2 PCS
(L) RIGHT DOOR		1 PC		(R) DRAWER RIGHT SIDE PANEL		2 PCS
(M) REAR LEFT LEG FRONT RIGHT LEG		2 PCS		(S) DRAWER BACK PANEL		2 PCS
(N) FRONT LEFT LEG REAR RIGHT LEG		2 PCS		(T) DRAWER BOTTOM PANEL		2 PCS

## HARDWARE IDENTIFICATION

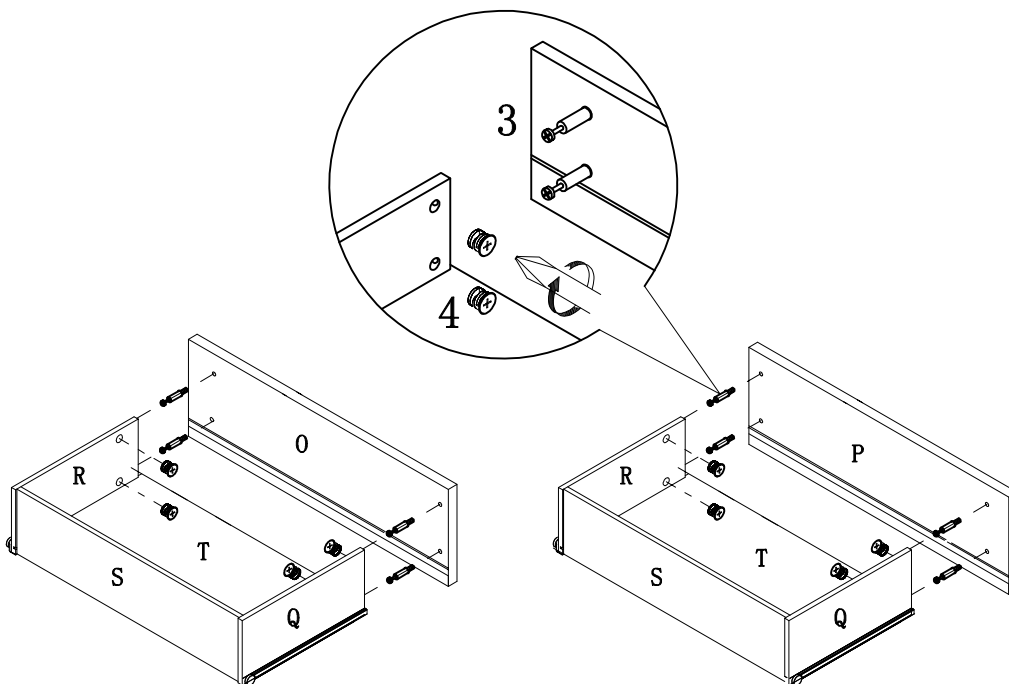
1	LARGE CAMBOLT	L=29mm		26pcs
2	LARGE CAMLOCK	Ø15mm		26pcs
3	SMALL CAMBOLT	L=20mm		8pcs
4	SMALL CAMLOCK	ET12mm		8pcs
5	DOWEL	Ø8×25mm		21pcs
6	SMALL SCREW	Ø4x16mm		16pcs
7	MEDIUM SCREW	Ø4x30mm		10pcs
8	EXTRA LARGE SCREW	Ø4x40mm		6pcs
9	FLAT HEAD SCREW	Ø8x40mm		4pcs
10	WRENCH	M5mm		1pc
11	WASHER	Ø8X16X2mm		4pcs
12	HINGE	301Cmm		4pcs
13	IRON LEG	80x25x152mm		1pc
14	NAIL			40pcs
15	SMALL STICKER	Ø20mm		12pcs
16	LARGE STICKER	Ø22mm		4pcs
17	FLAT-HEAD SCREW	M6×12mm		2pcs
18	GLUE			1pc

# ASSEMBLY INSTRUCTIONS

## STEP 1

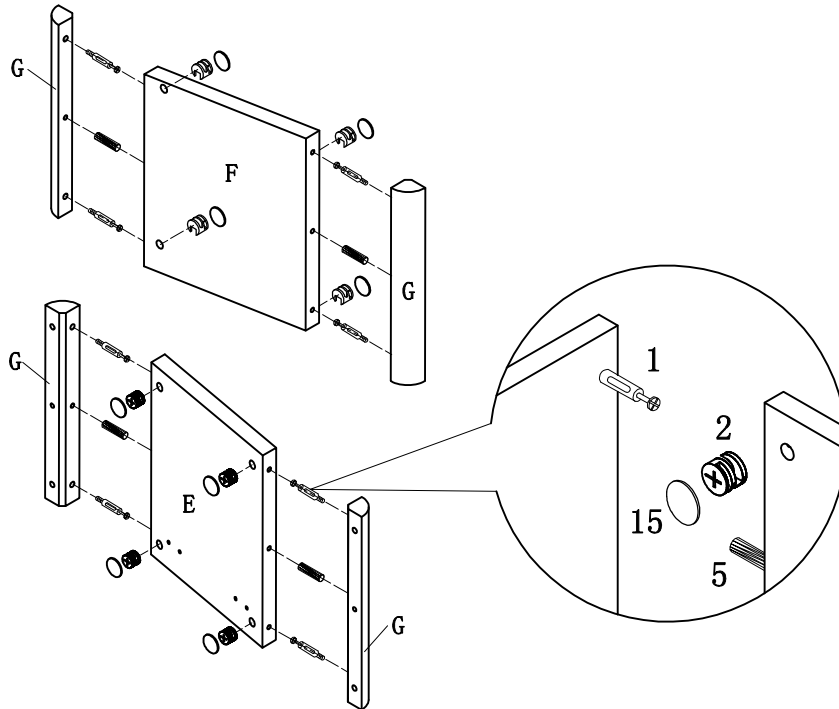


## STEP 2

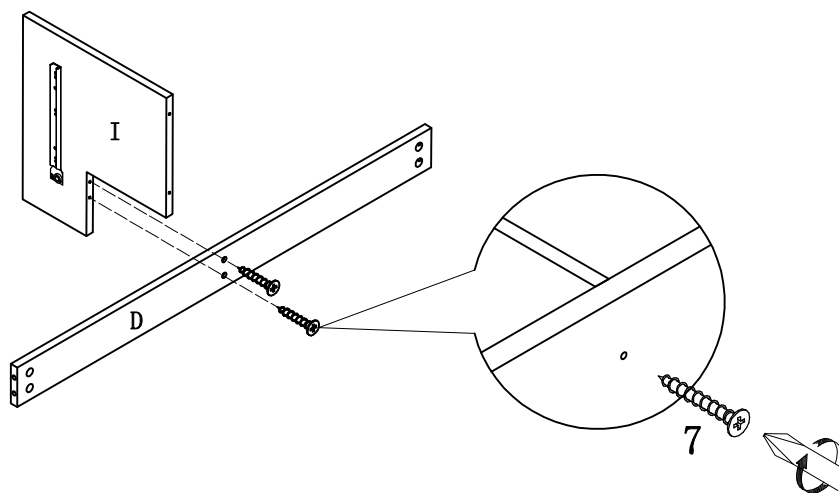


# ASSEMBLY INSTRUCTIONS

## STEP 3

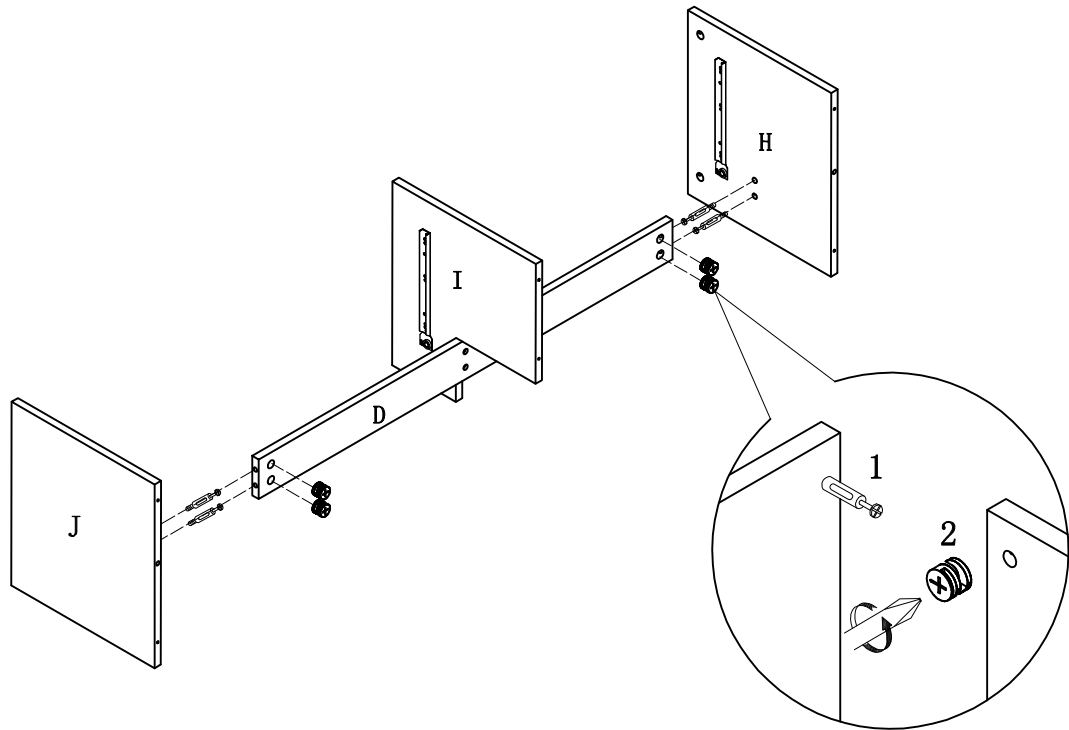


## STEP 4

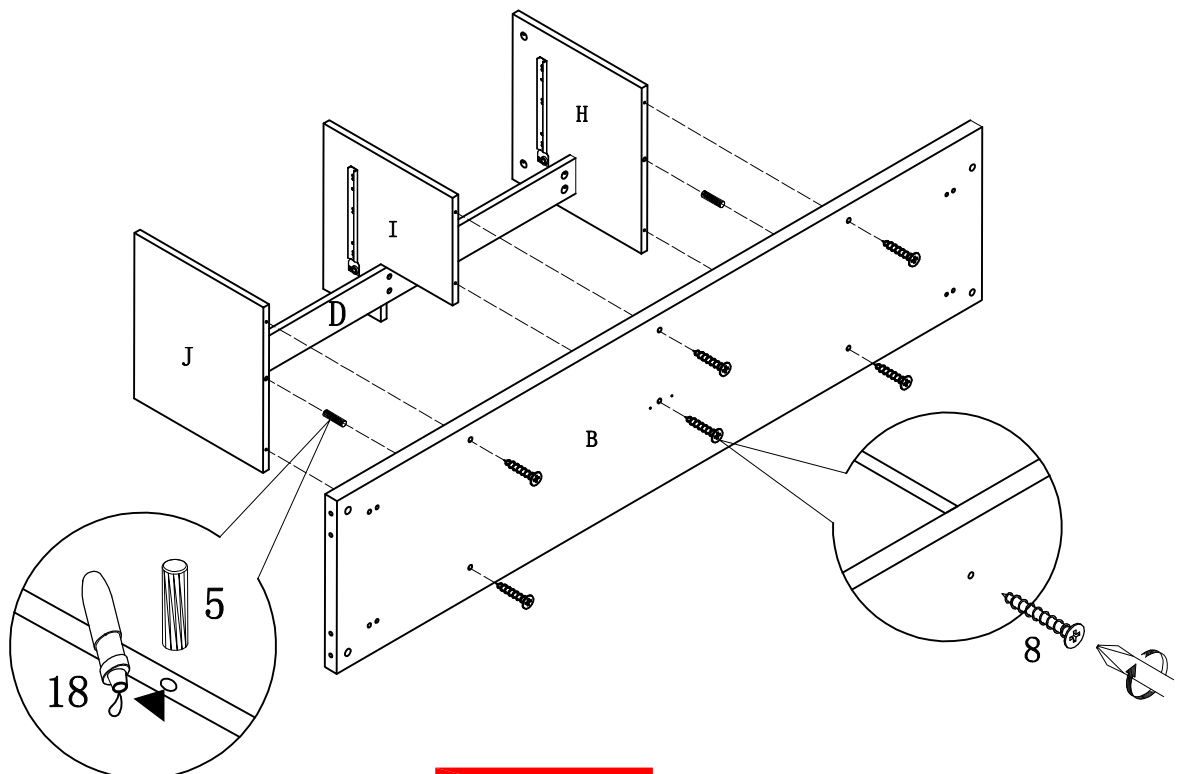


# ASSEMBLY INSTRUCTIONS

## STEP 5

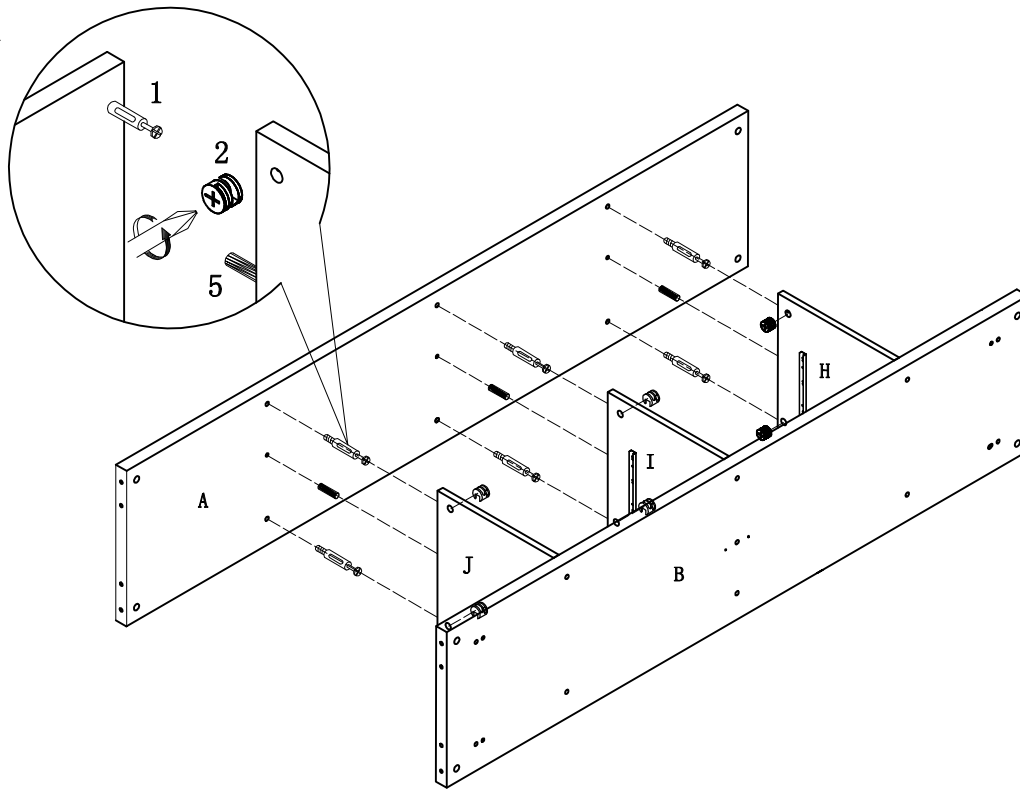


## STEP 6

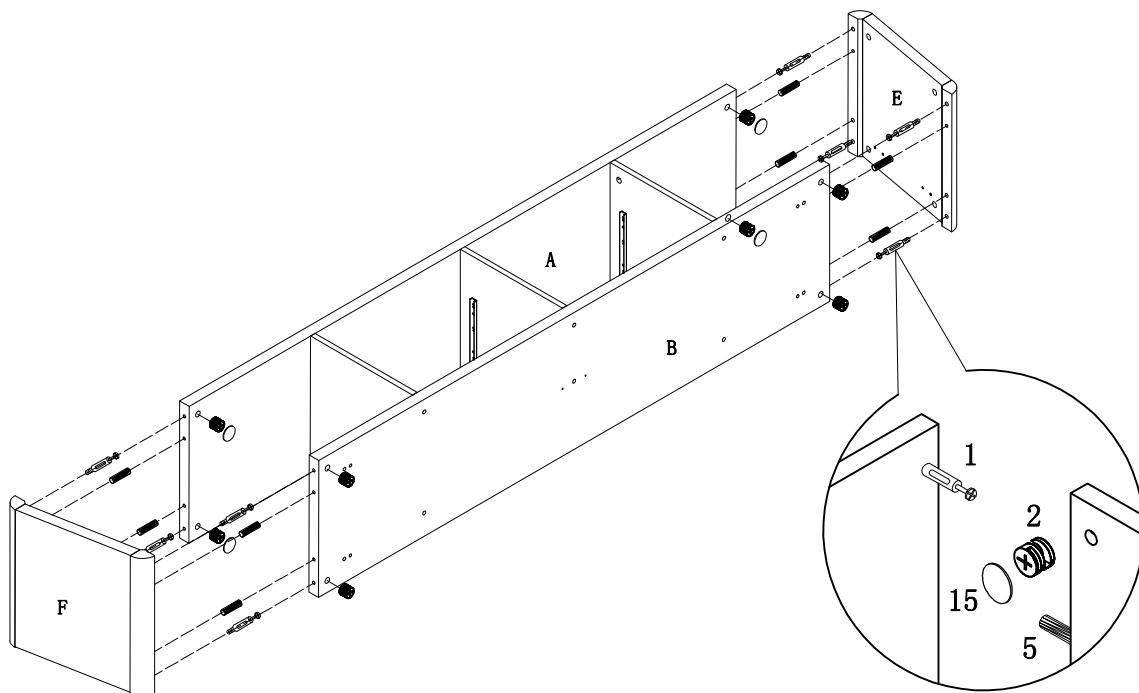


# ASSEMBLY INSTRUCTIONS

## STEP 7

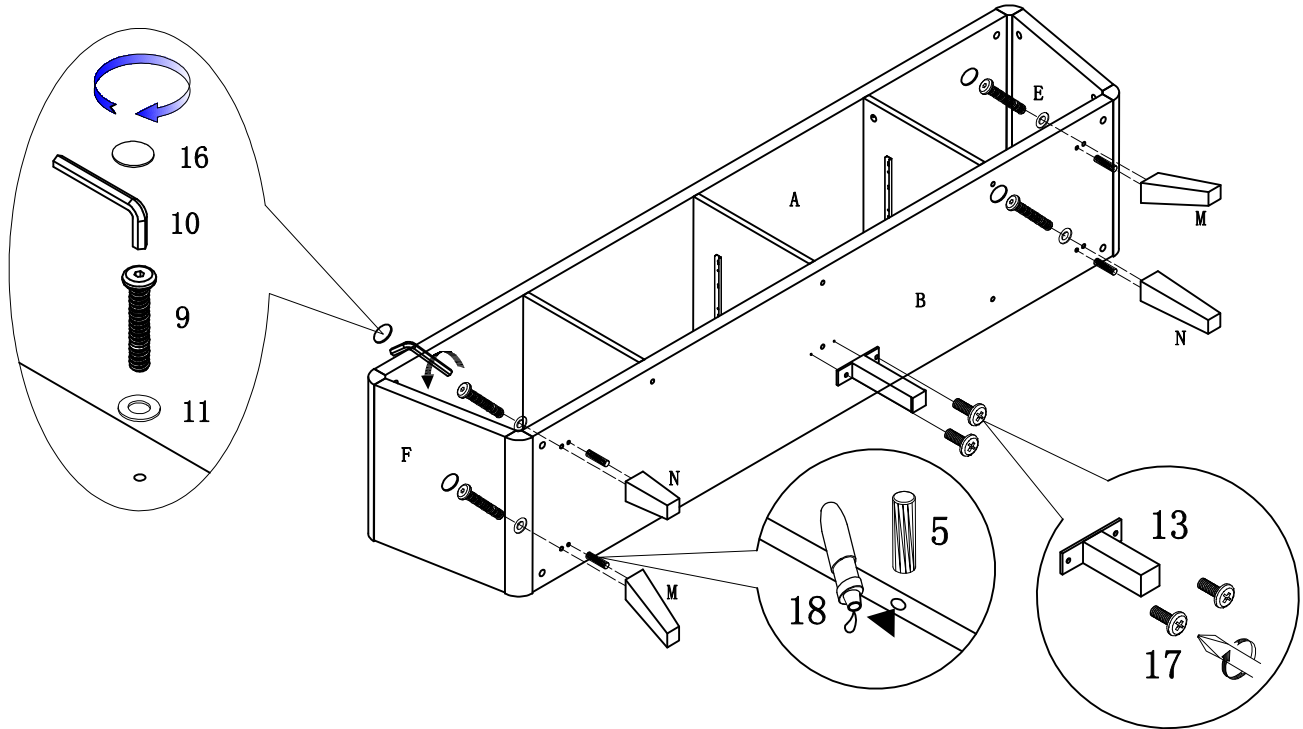


## STEP 8

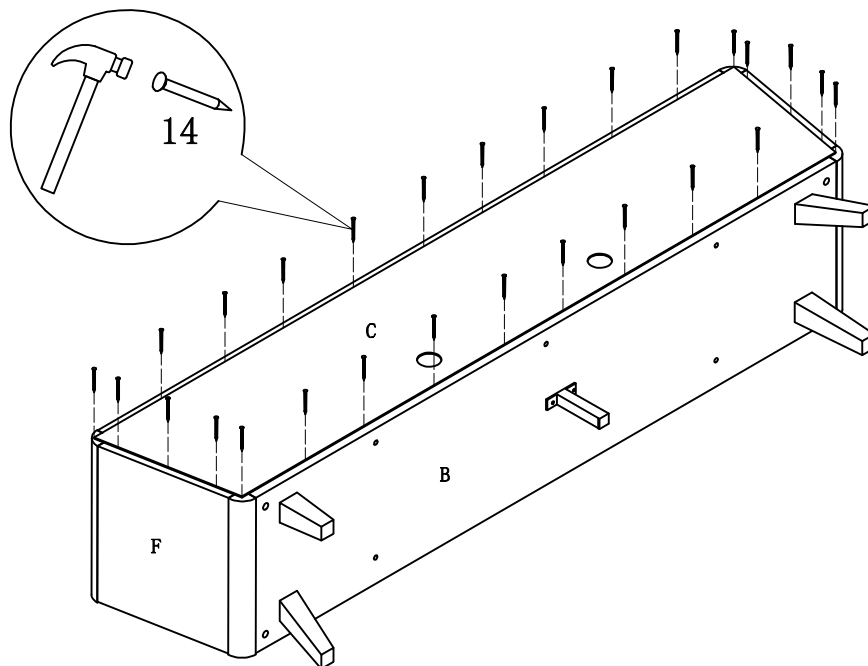


# ASSEMBLY INSTRUCTIONS

## STEP 9

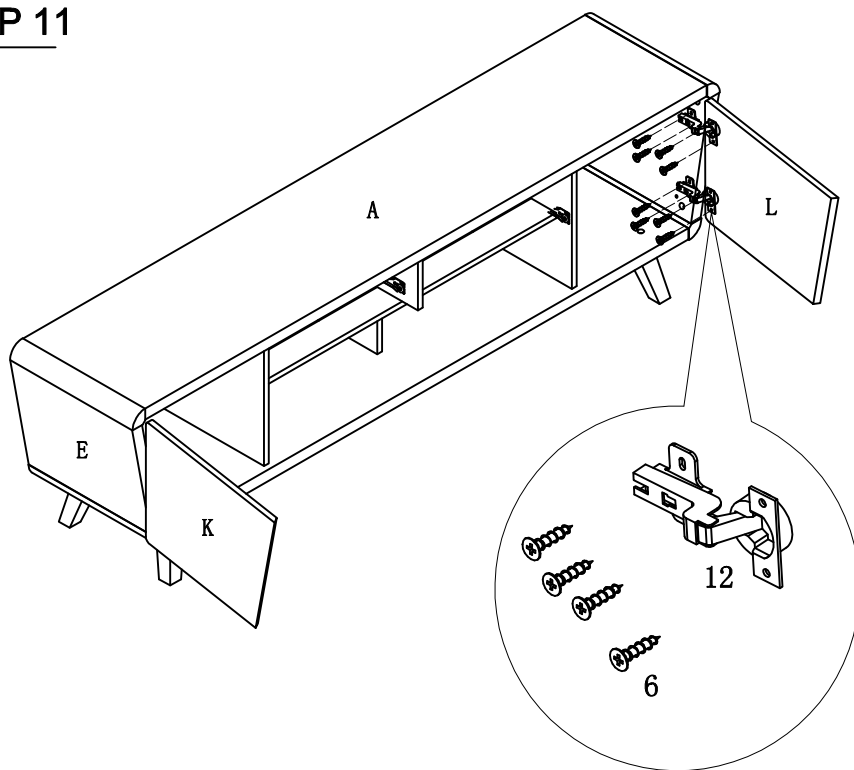


## STEP 10

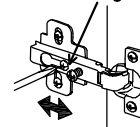


# ASSEMBLY INSTRUCTIONS

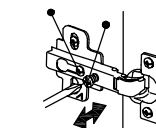
## STEP 11



To adjust the door in or out, loosen this screw and push the door further in or push further out then retighten screws.



To adjust the door vertically, loosen the top and bottom screws, push the door up or down as necessary, then retighten screws.



To adjust the door left/right, turn this screw clockwise to move this corner of the door toward the frame, or counterclockwise to move door away from the frame.

## STEP 12

