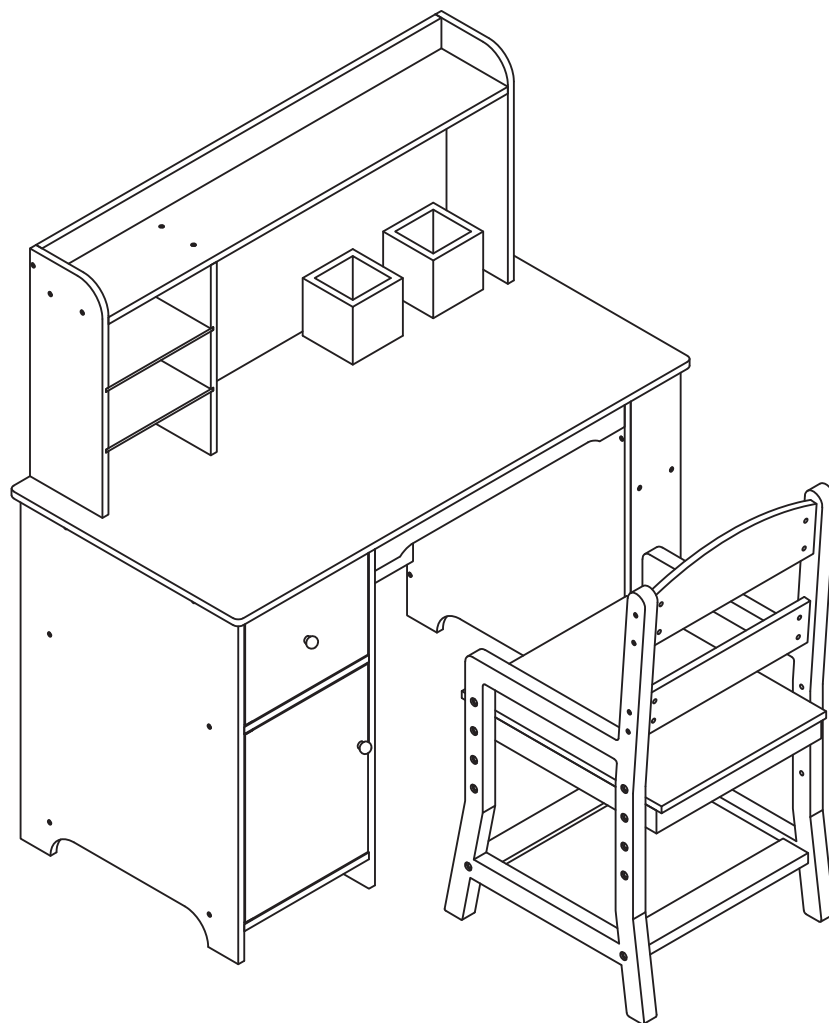


# Kids desk



## WARNING

CHOKINGHAZARD-small parts, Not for children under 3 yrs, The product is to be assembled by an adult.

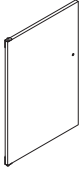
## WARNING

Prior to assembly this package contains sharp edges and sharp points.Keep away from children until assembled.

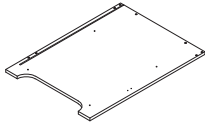


# Product Parts

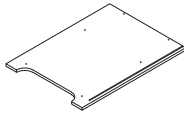
A



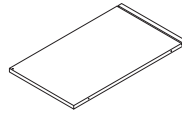
B



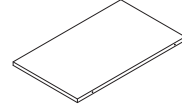
C



D



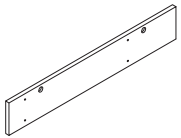
E



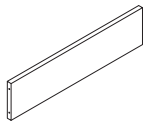
F



G

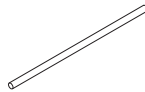


H



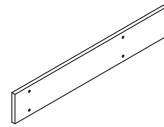
2 pcs

I

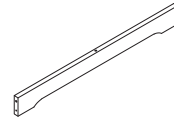


2 pcs

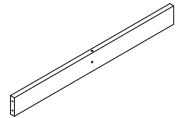
J



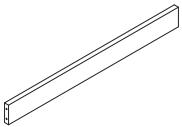
K



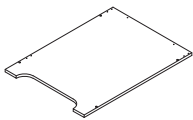
L



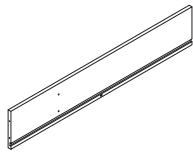
M



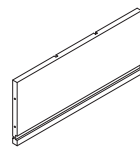
N



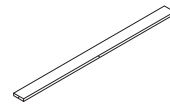
O



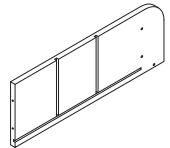
P



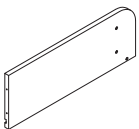
Q



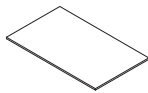
R



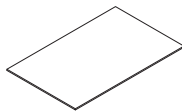
S



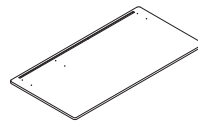
T



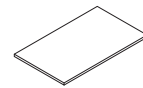
U



V

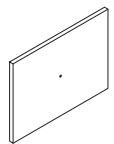


W



2 pcs

X

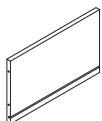


Y

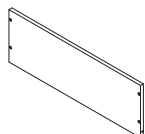


2 pcs

Z

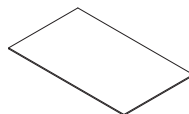


AA



2 pcs

AB

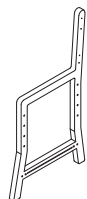


AC



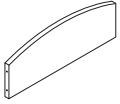
2 pcs

AD

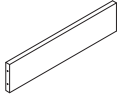


## Product Parts

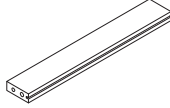
AE



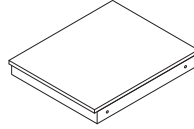
AF



AG



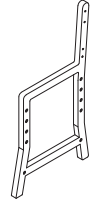
AH



AI



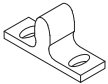
AJ



2 pcs

## Hardware

1



1 pc

2



∅3\*7mm

4 pcs

3



1 pc

4



∅4\*28mm

54 pcs

5



∅5\*25mm

3 pcs

6



∅4\*22mm

14 pcs

7



∅8\*30mm

4 pcs

8



M6\*40mm

8 sets

9



∅4\*16mm

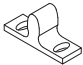


2 pcs

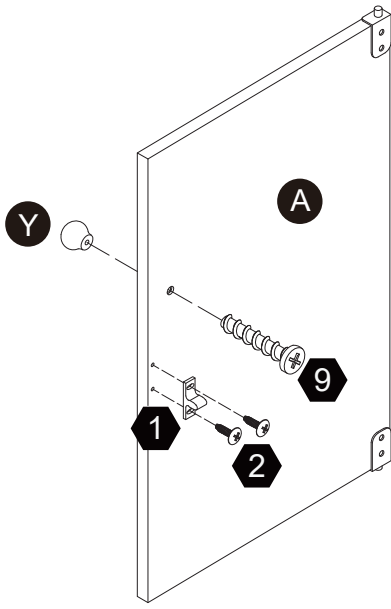
10



1 set

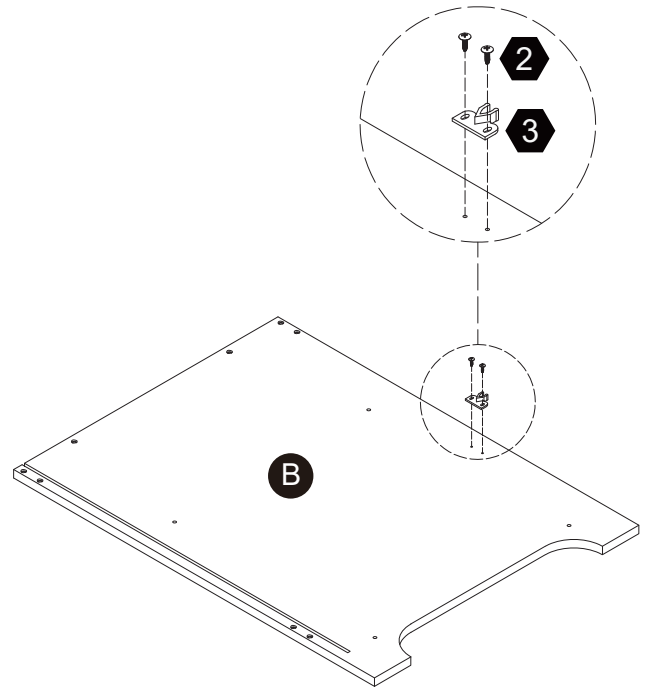
### Step 1

- 1  1 pc
- 2  2 pcs  
Ø3\*7mm
- 9  1 pc  
Ø3\*7mm




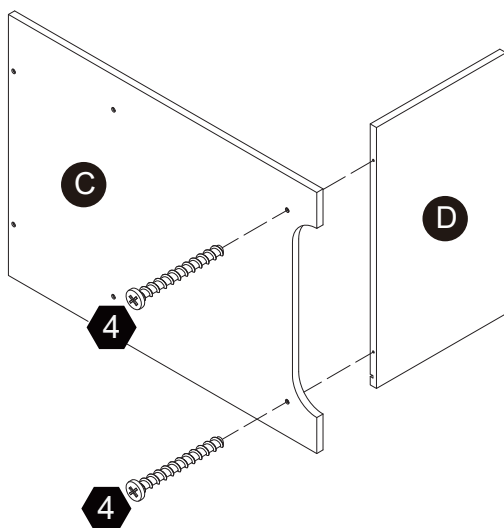
### Step 2

- 2  2 pcs  
Ø3\*7mm
- 3  1 pc




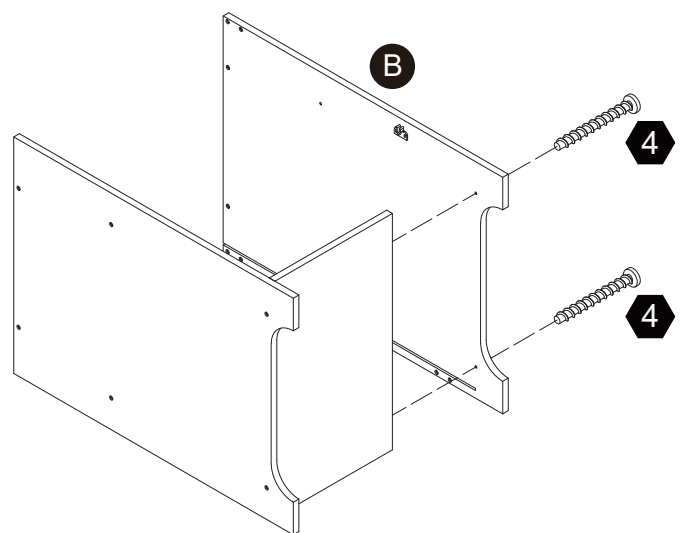
### Step 3

- 4  2 pcs  
Ø4\*28mm




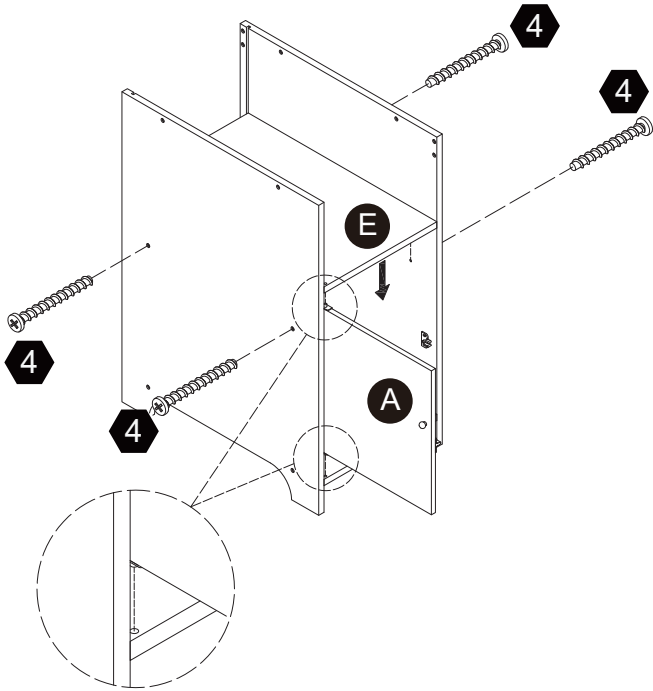
### Step 4

- 4  2 pcs  
Ø4\*28mm

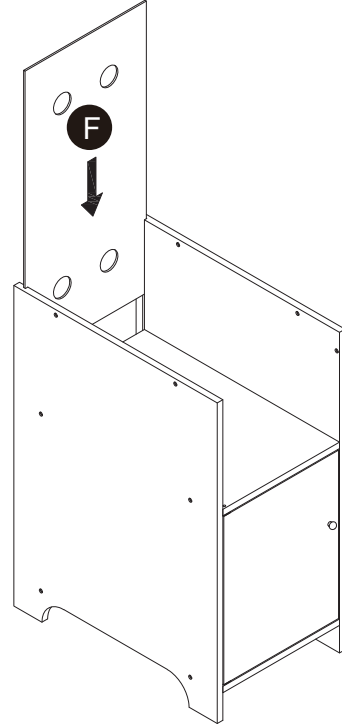


### Step 5


4  4 pcs  
Ø4\*28mm

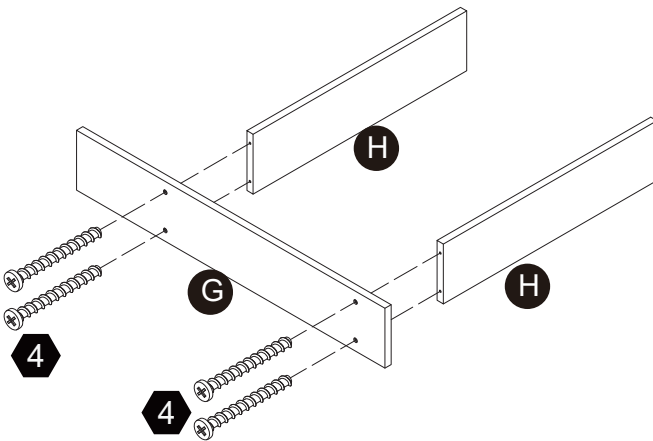


### Step 6




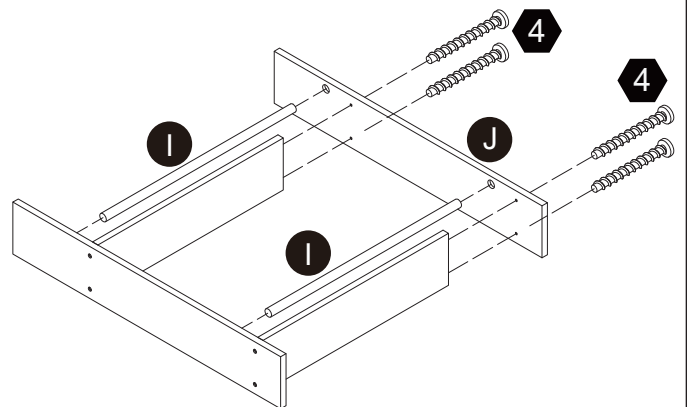
### Step 7

4  4 pcs  
Ø4\*28mm




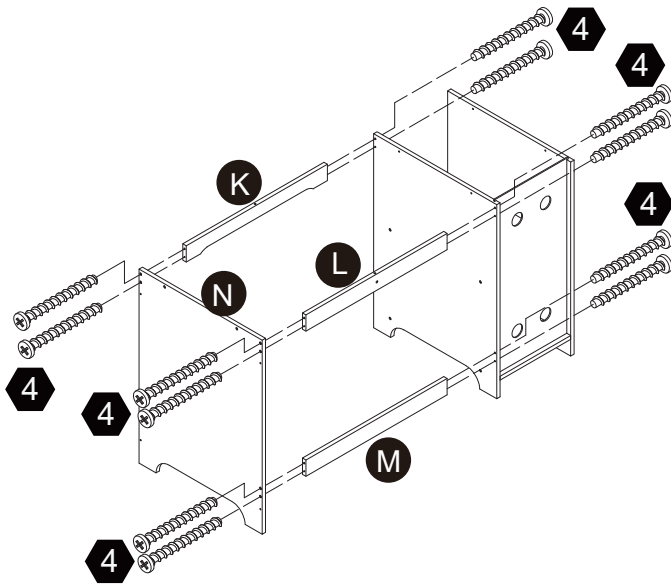
### Step 8

4  4 pcs  
Ø4\*28mm




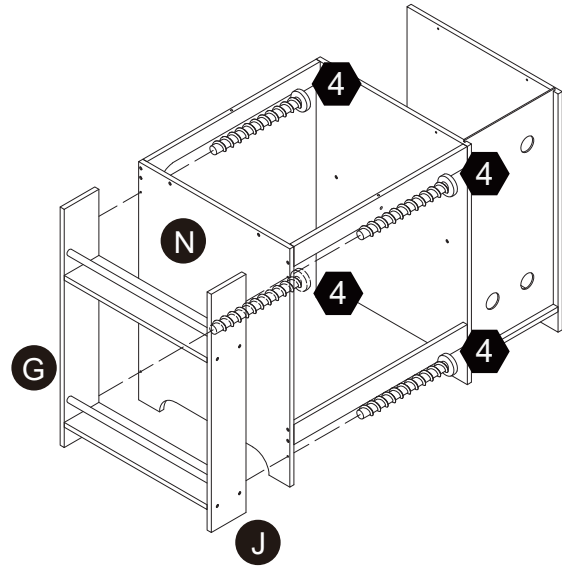
### Step 9

4  12 pcs  
Ø4\*28mm




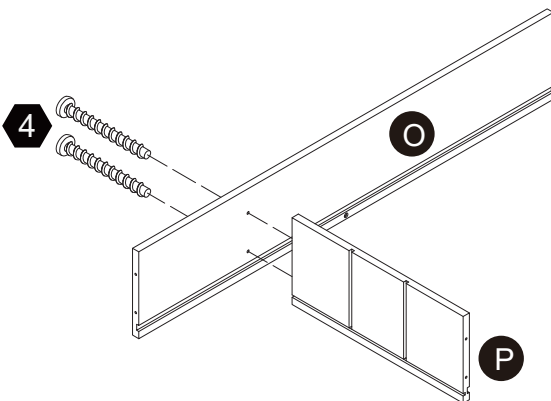
### Step 10

4  4 pcs  
Ø4\*28mm




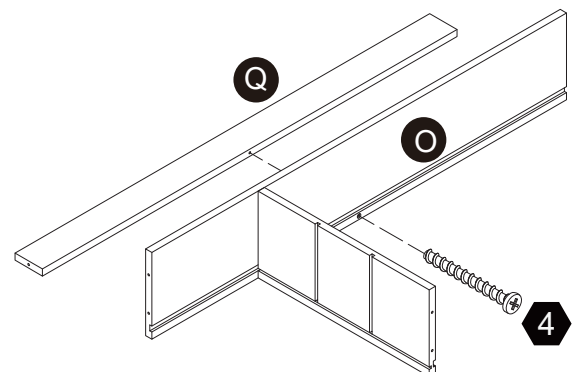
### Step 11

4  2 pcs  
Ø4\*28mm




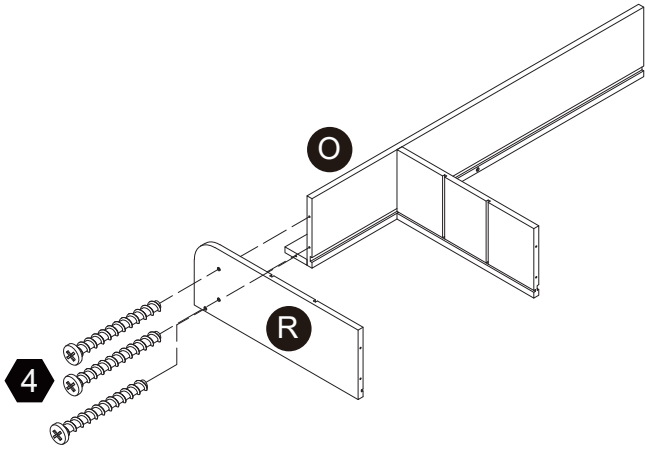
### Step 12

4  1 pc  
Ø4\*28mm




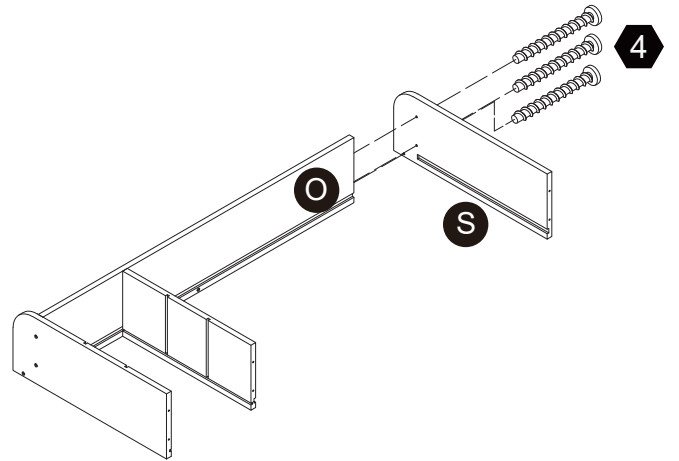
### Step 13

4  3 pcs  
Ø4\*28mm

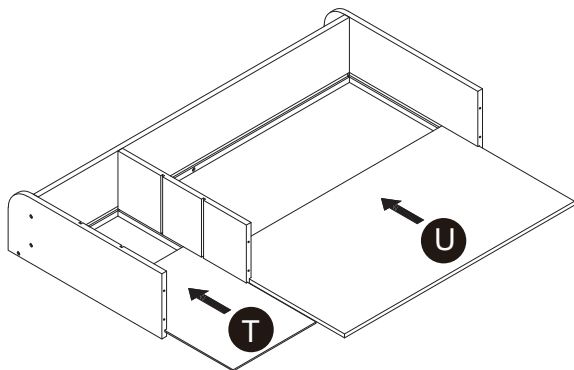


### Step 14

4  3 pcs  
Ø4\*28mm

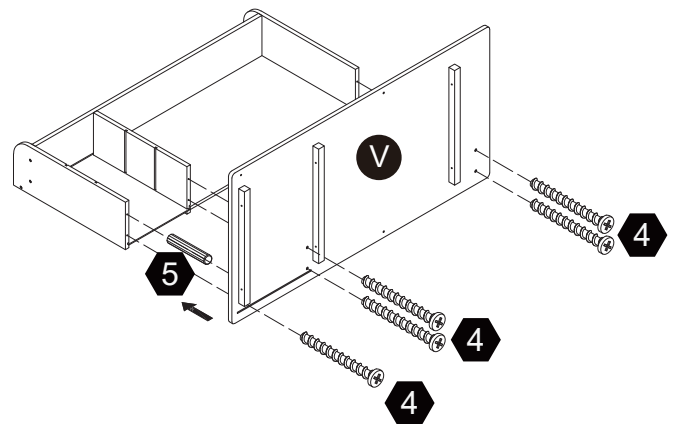


### Step 15




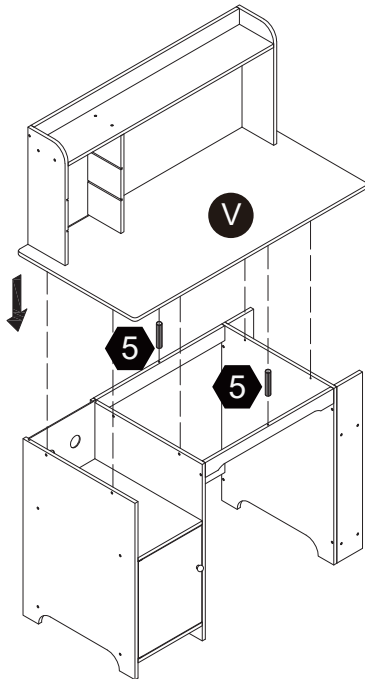
### Step 16

4  5 pcs Ø4\*28mm  
5  1 pc Ø5\*25mm




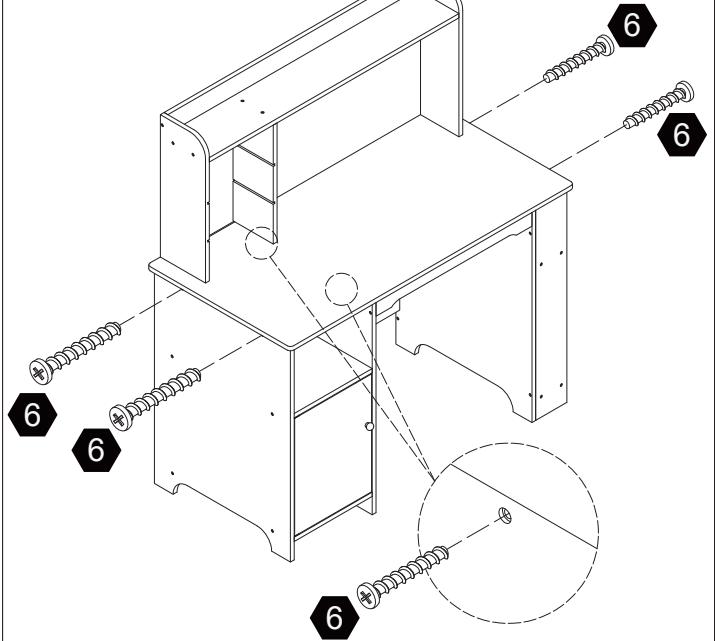
### Step 17

**5**  2 pcs  
Ø5\*25mm




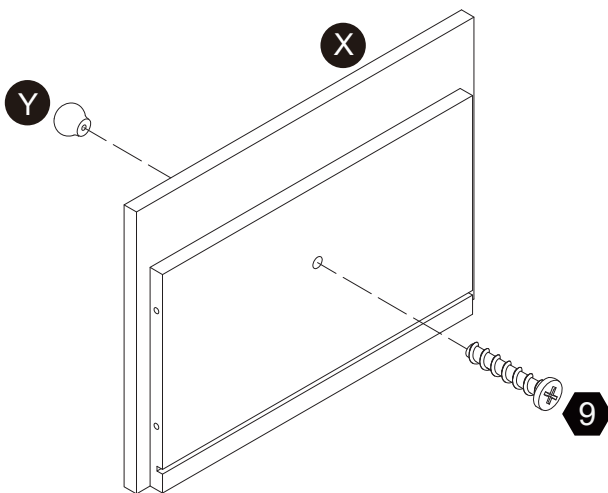
### Step 18

**6**  6 pcs  
Ø4\*22mm




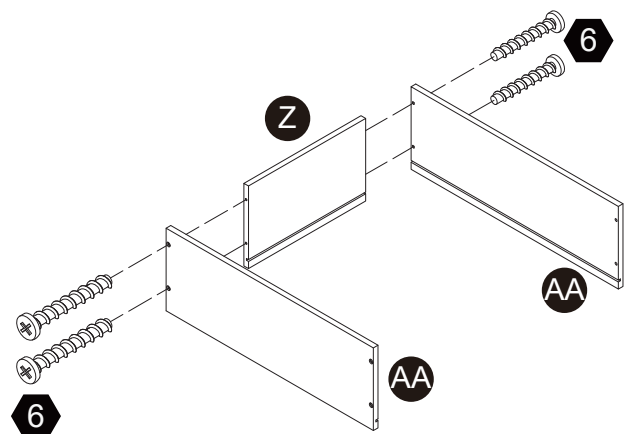
### Step 19

**9**  1 pc  
Ø3\*7mm

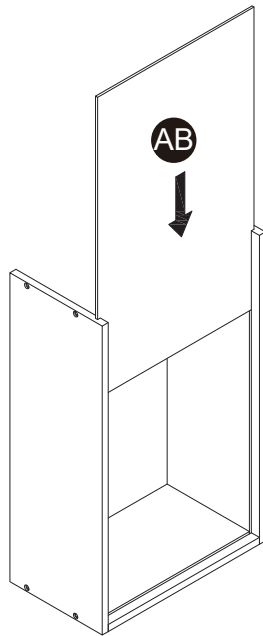


### Step 20


**6**  4 pcs  
Ø4\*22mm

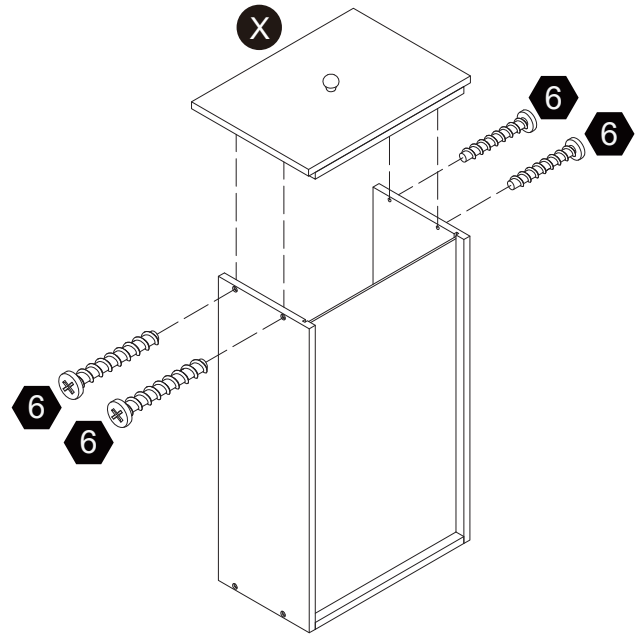


### Step 21

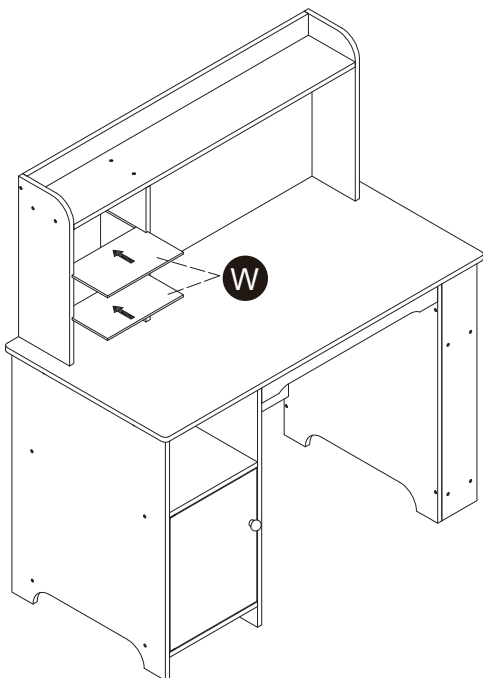


### Step 22

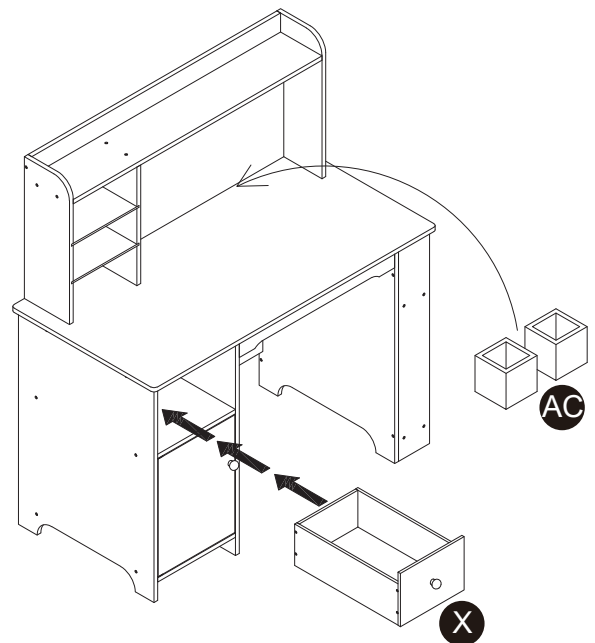
6  4 pcs  
Ø4\*22mm




### Step 23

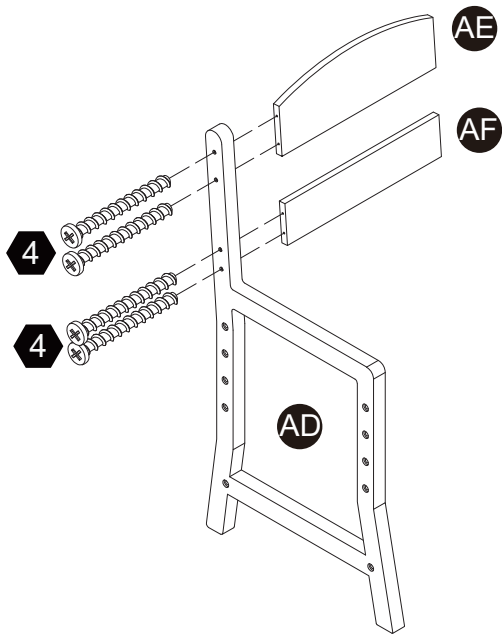


### Step 24




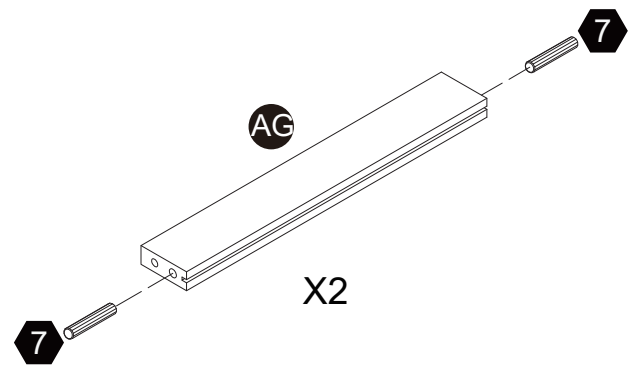
### Step 25

4  4 pcs  
Ø4\*28mm




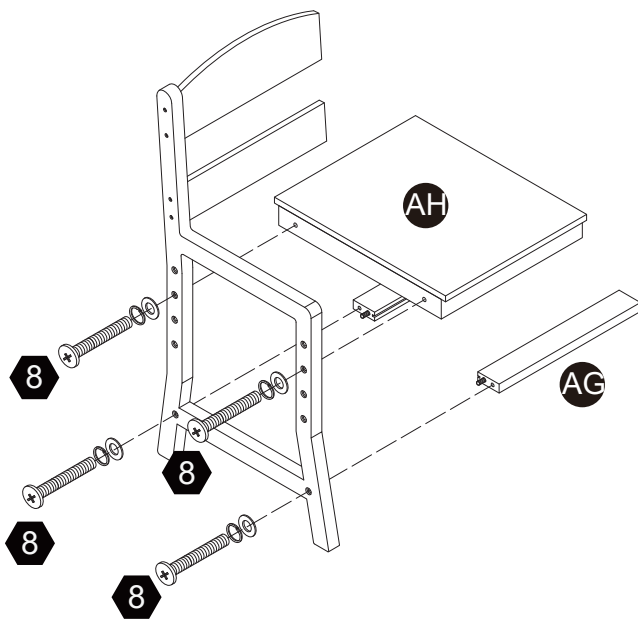
### Step 26

7  4 pcs  
Ø8\*30mm

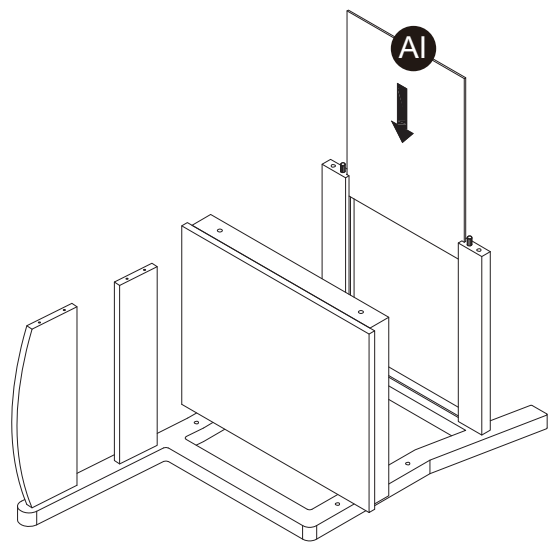


### Step 27


8  4 sets  
M6\*40mm




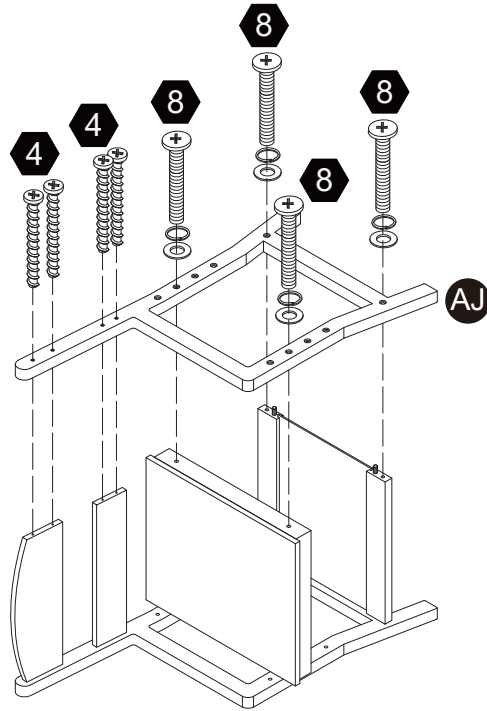
### Step 28



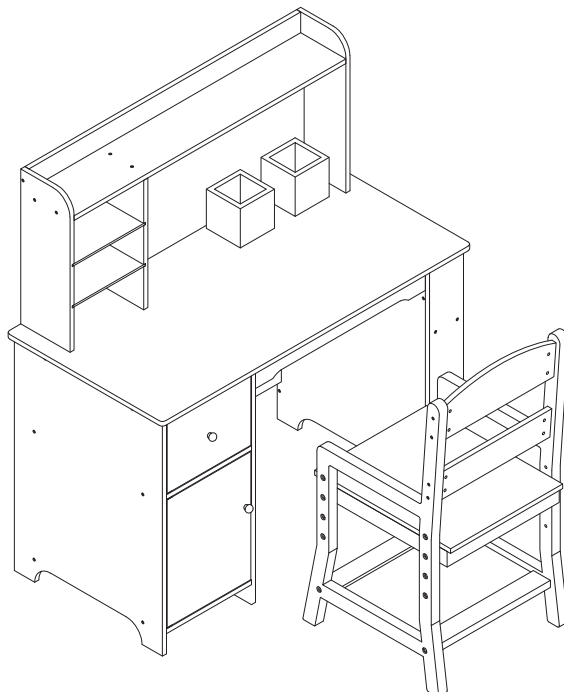
## Step 29

4  4 pcs  
Ø4\*28mm

8  4 sets  
M6\*40mm



## Step 30



# WALL MOUNTING ASSEMBLY

For added safety and stability, it is recommended that the wall mounting hardware be installed. For safe mounting, it is essential to use wall anchors appropriate to your wall type (i.e. plaster, drywall, concrete, etc.). Mount to wood studs whenever possible.

**⚠ WARNING:**  
Do not install on a wall where items can fall off and injure a child.

**⚠ WARNING:**  
CHOKING HAZARD, Unassembled parts may be choking hazard to children 3 years and younger.

Use a 1/4" (6.5 mm) drill bit to pilot the hole. If mounting to plaster, wood panels, brick or other drywall please consult a qualified professional.

Please make sure you use the right hardware for your wall type for your safety.

**⚠ CAUTION:**  
Adult assembly required.  
Hardware contains small screws with sharp points.  
Keep unassembled parts out of reach of small children.

## Hardware

A. Screw x 1  
M4x25mm



B. Small Washer x 2  
Φ10XΦ5X1mm



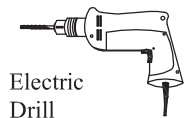
C. Plastic Anchor x 1



D. Plastic Anchor x 1



The following tools (not included) are required for assembly:



E. Wood Screw x 1  
Φ4X32mm



F. Nut x 1



G. Large washer x 1  
Φ16XΦ6X1mm



Wrench x 1



1/4" (6.5 mm) Drill Bit

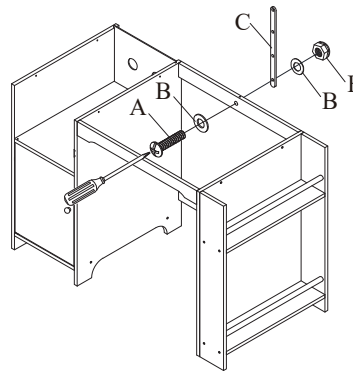


Phillips® Screwdriver

## Step 1

Attach Plastic strip to back of product.

Hole predrilled in product backboard #L

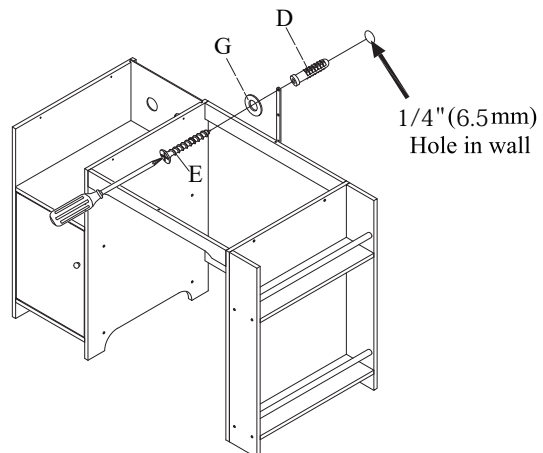


## Step 2 Use 1/4" (6.5mm) drill bit to drill hole in wall

Do not drill an oversized hole or the wall anchor will not hold tightly into the wall.

Tap wall anchor into hole.

Secure product to wall with screw "E" through Plastic strap and into wall anchor.



## Warning:

Serious or fatal injuries can occur from furniture tip-over. To help prevent furniture tip-over:

Use provided mounting hardware to secure furniture to the wall.

This may reduce but not eliminate the risk of furniture tip-over.

Do not allow children to climb on furniture.

Keep remote controls, toys, and other items that might attract children off of this product.

Unless specifically designed to accommodate, do not set televisions or other heavy objects on top of this product.