

# INSTALLATION GUIDE

## WARNINGS AND CAUTIONS

Released Date:2026-02

### READ AND SAVE THESE INSTRUCTIONS

Please read and understand this entire manual before attempting to assemble, install or operate the product.

#### WARNING

- RISK OF ELECTRIC SHOCK - Before beginning installation, turn off electricity at the circuit breaker box or the main fuse box.

- RISK OF FIRE - Use bulbs specified by the markings and/or labels on the fixture.

- RISK OF PERSONAL INJURY - DO NOT bend the blades when installing the fan, or cleaning the fan.

Do not insert foreign objects in between rotating fan blades.

- RISK OF FIRE, ELECTRIC SHOCK, OR PERSONAL INJURY - mount to outlet box marked and use mounting screws provided with the outlet box.

- All set screws must be checked, and re-tightened where necessary, before installation.

- After making the wire connections, the wires should be spread apart with the grounded conductor and the equipment-grounding conductor on one side of the outlet box and the ungrounded conductor on the other side of the outlet box.

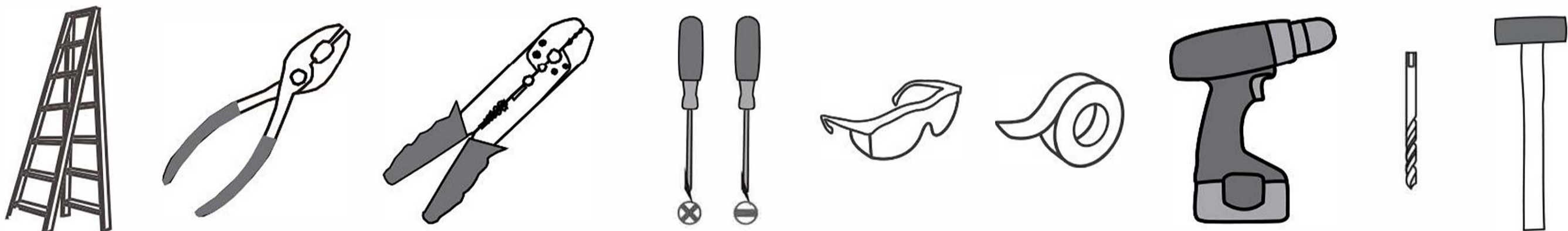
#### CAUTION

- For your safety, read instructions completely before beginning installation.

- If in doubt about electrical installation, consult a licensed electrician.

- Disconnect fixture from the power source before replacing bulbs or cleaning. Make sure the bulbs are given sufficient time to cool before removing.

#### TOOLS REQUIRED



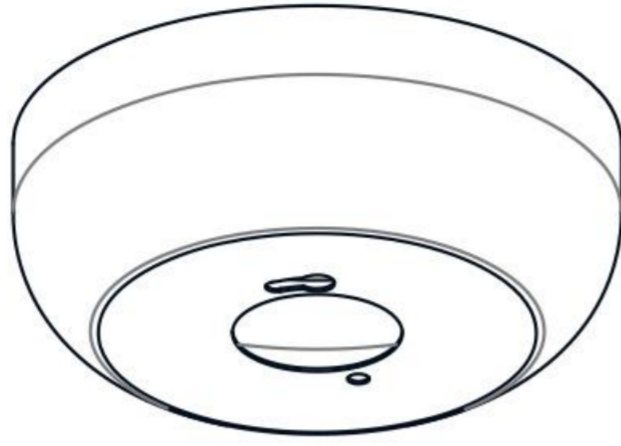
#### CARE AND MAINTENANCE

- Wipe clean using soft, dry cloth or static duster. Always avoid using harsh chemicals and abrasives to clean fixture as they may damage the finish.

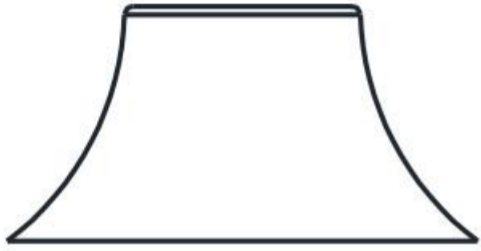
# PACKAGE CONTENTS



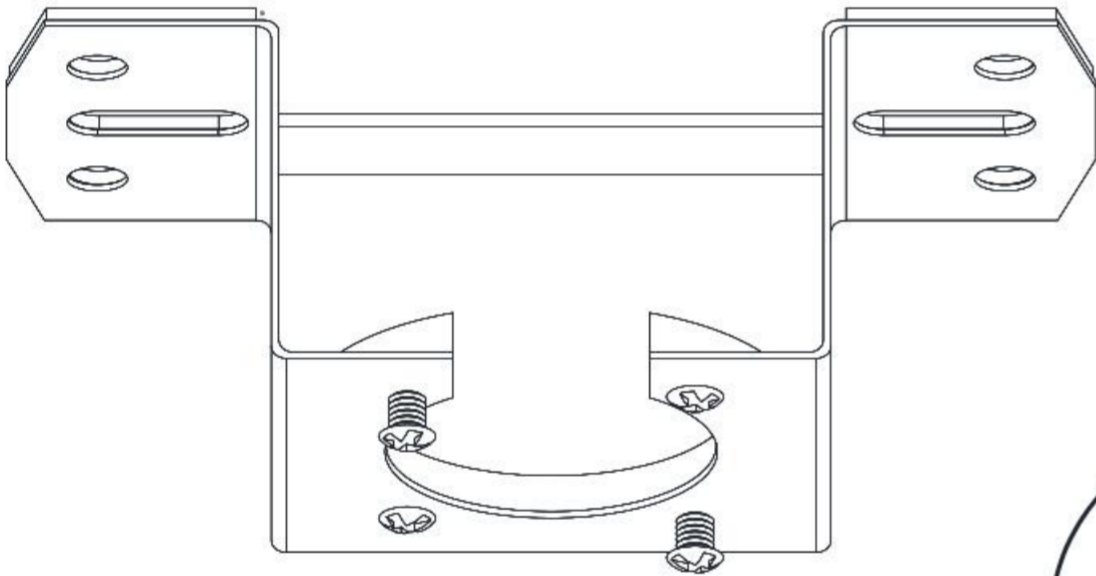
**A** 4.92" Rod Assembly  
x 1



**B** Ceiling Canopy  
x 1



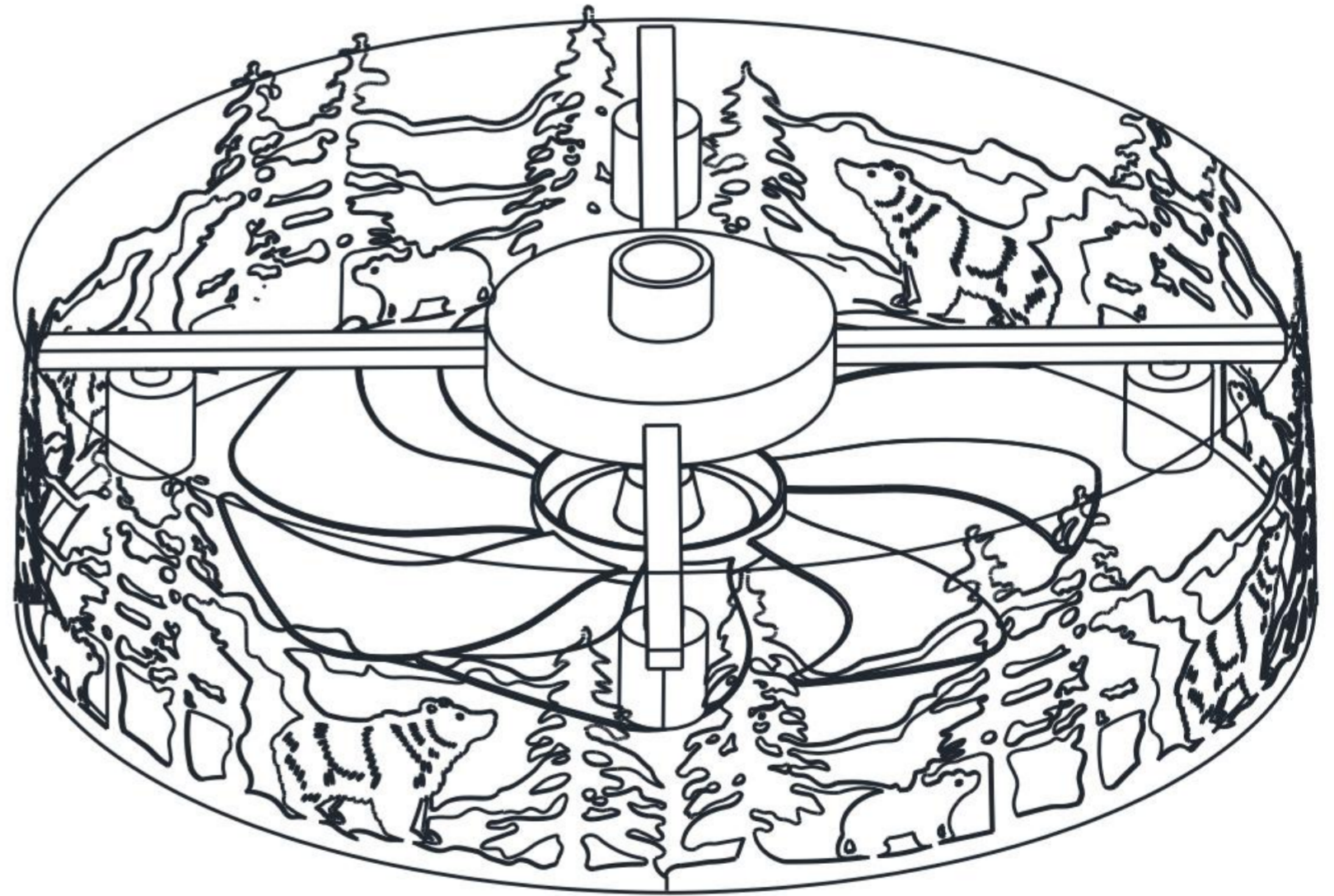
**C** Ceiling Canopy Cap  
x 1



**D** Motor Cap  
x 1



**E** 7.87" Rod Assembly  
x 1

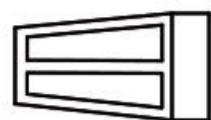


**F** Fixture Body  
x 1

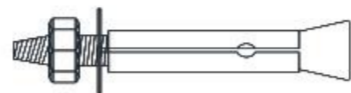
## PACKAGE CONTENTS (PARTS BAG 1)



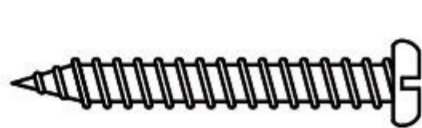
NOTE: Hardware not shown to actual size.



**AA** Wire Connector  
x 4



**DD** Anchor Bolt  
x 2



**BB** Screw  
x 4



**EE** Mechanical Screw  
x 2



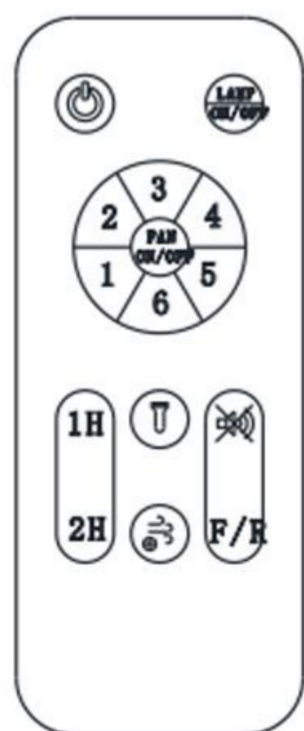
**CC** Wall Anchor  
x 4

## PACKAGE CONTENTS (PARTS BAG 2)

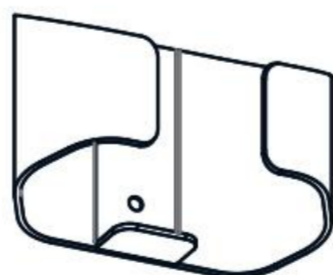


**KK** Mechanical Screw  
x 12

## PACKAGE CONTENTS (PARTS BAG 3)



**MM** Remote Control  
x 1



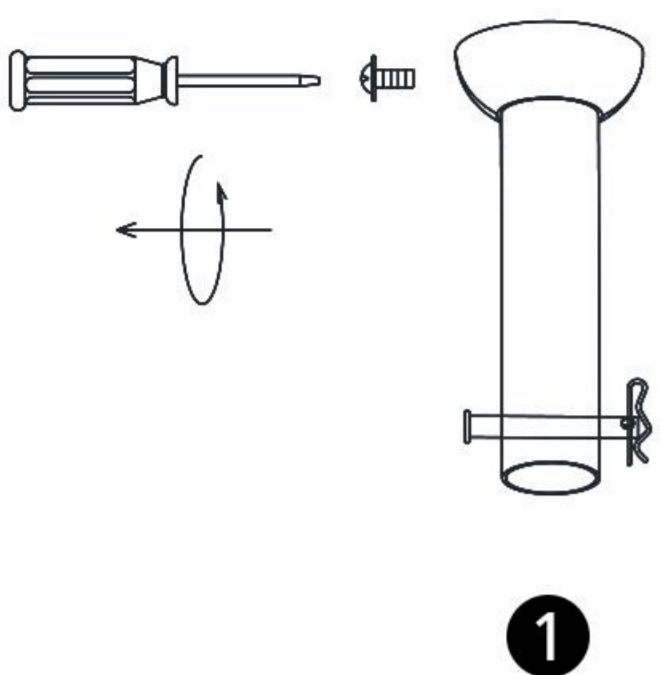
**OO** Wall Bracket  
x 1



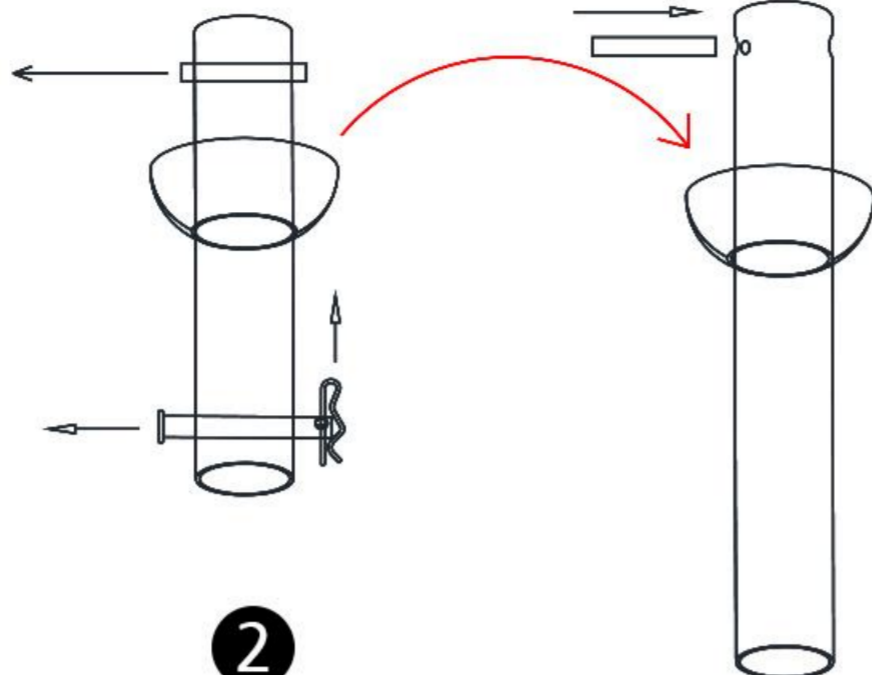
**PP** Screw  
x 2

# INSTALLATION

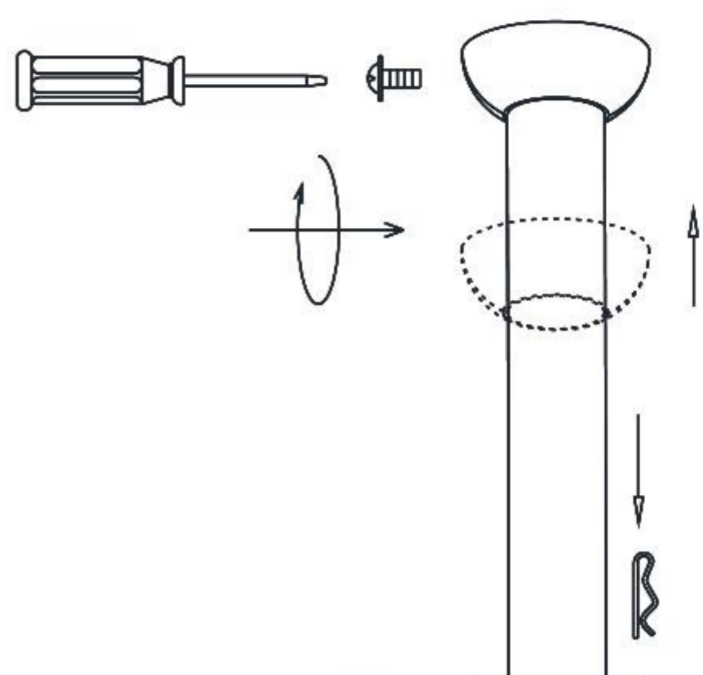
## 1 Choose Suitable Downrod



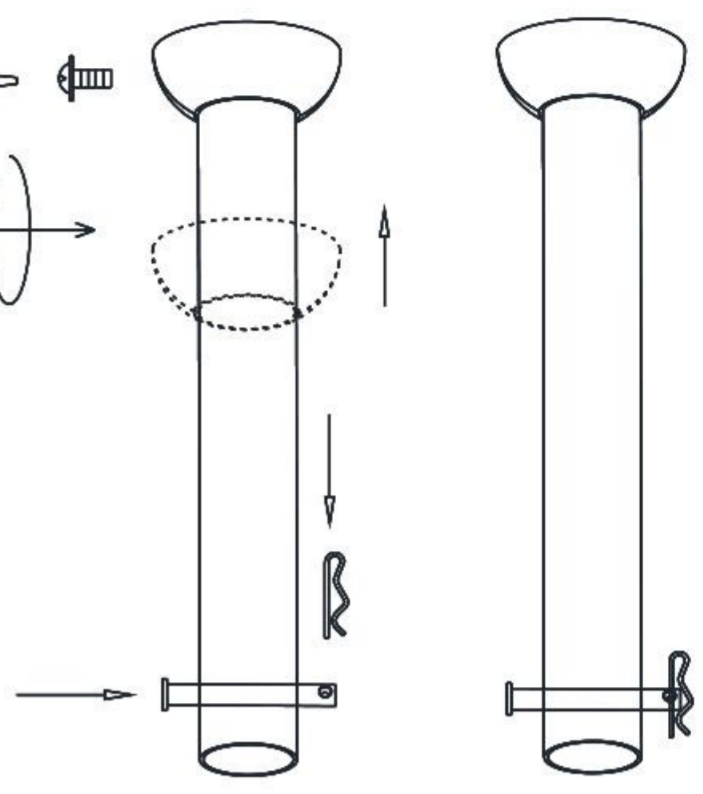
**1**  
Remove the screws from the downrod hanger ball



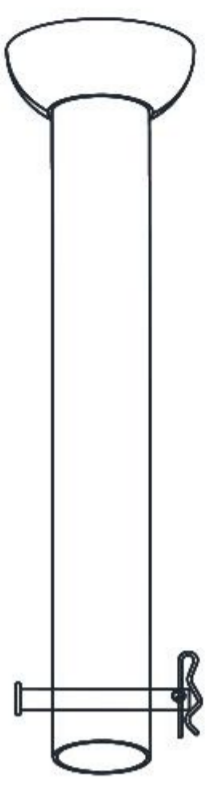
**2**  
Remove pin from downrod



**3**  
Attaching the hanger ball to the Long downrod

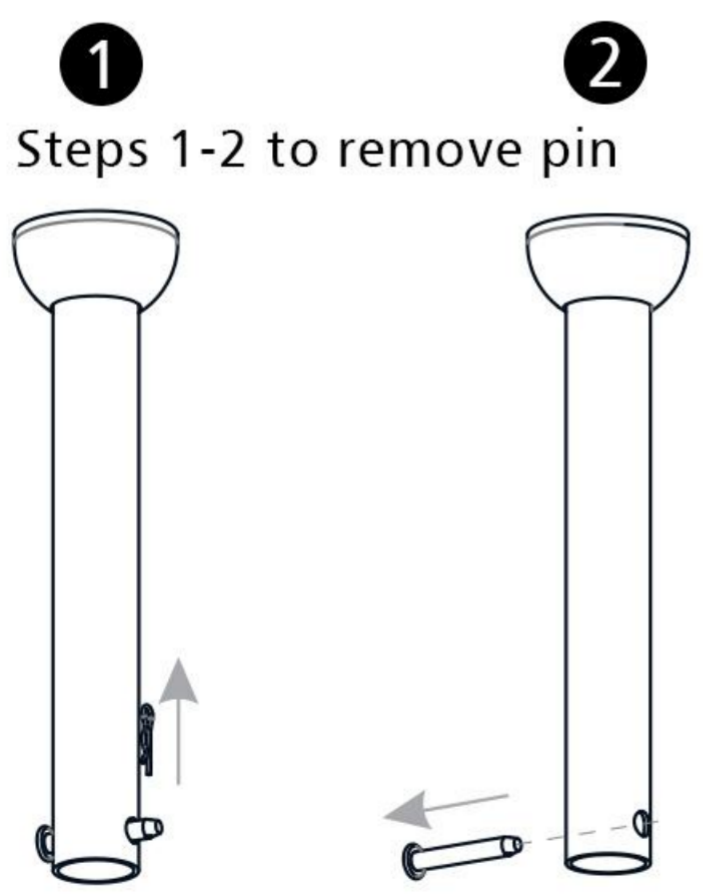


**4**  
Move all the pins from the short downrod to the long downrod

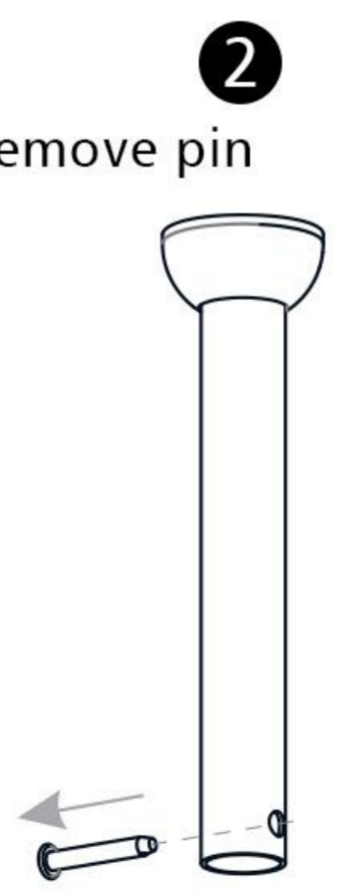


**5**  
Finish

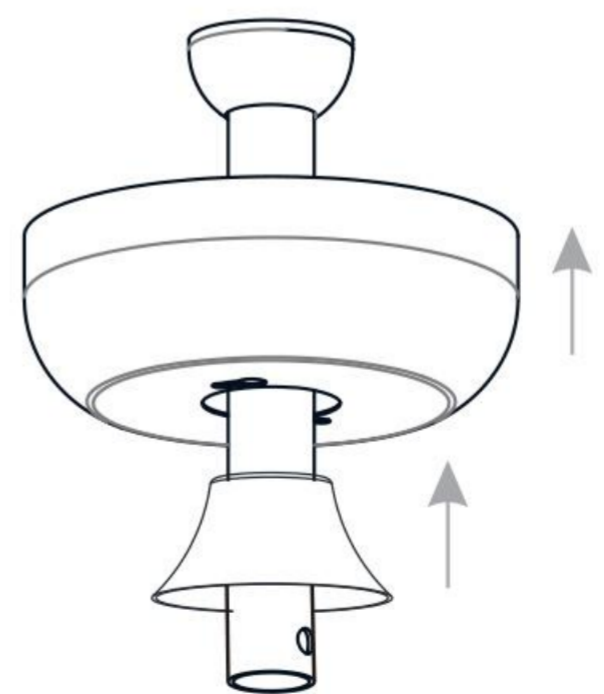
## 2 Install Downrod to Fixture Body



**1**  
Steps 1-2 to remove pin

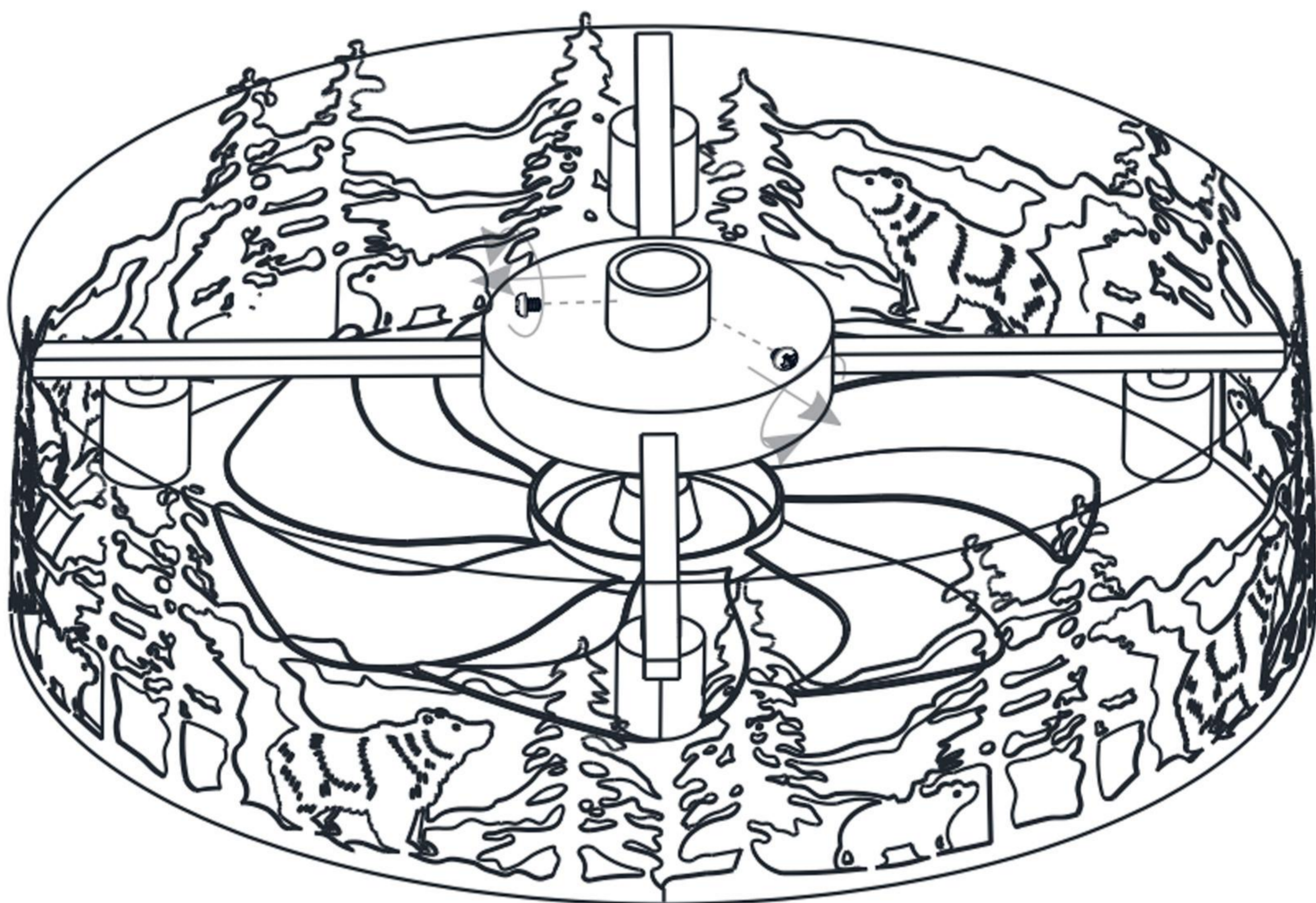


**3**  
Install ceiling canopy & ceiling canopy cap



## INSTALLATION

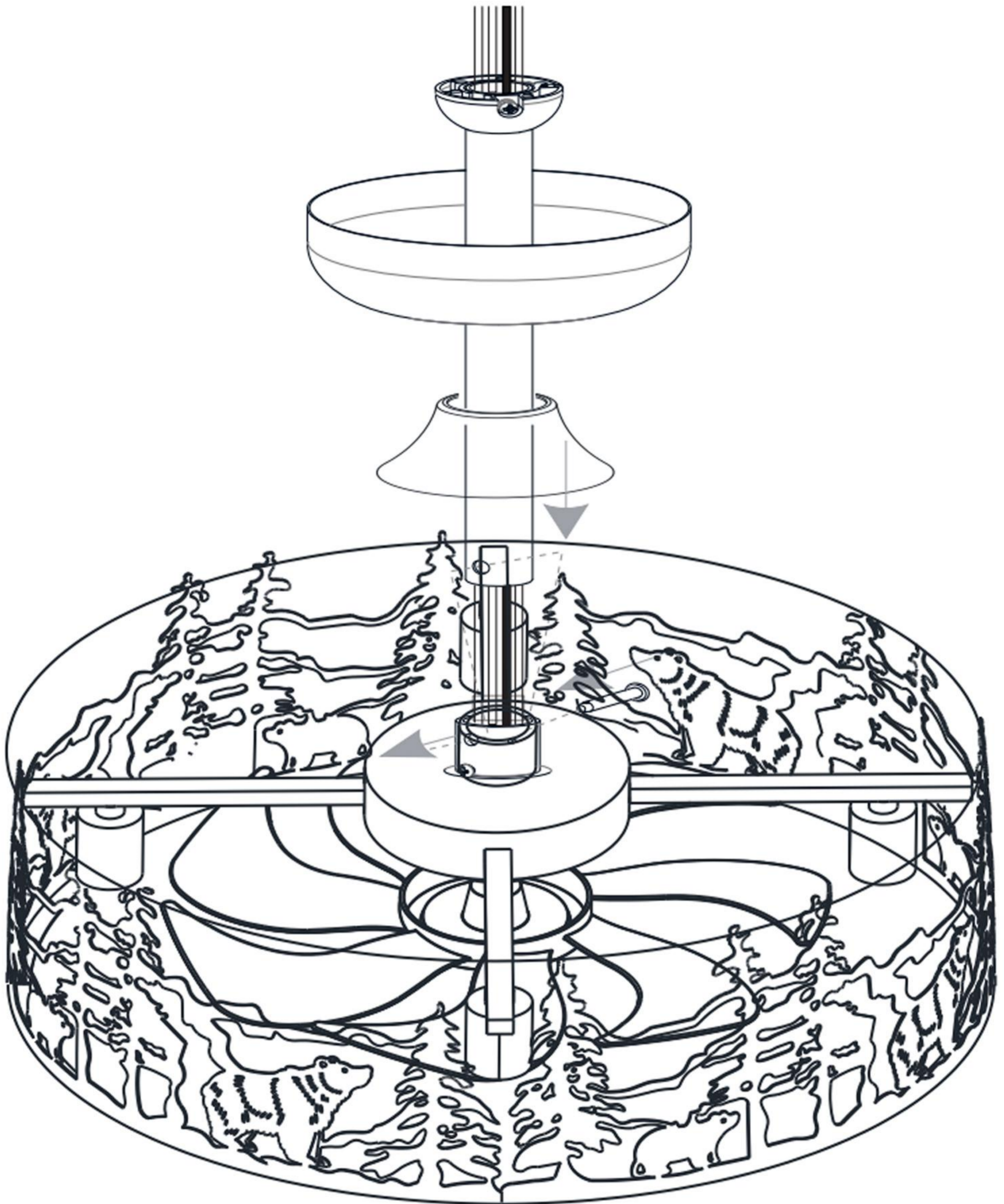
- 3** Twist out the screw at the hanging head on the lamp body



## INSTALLATION

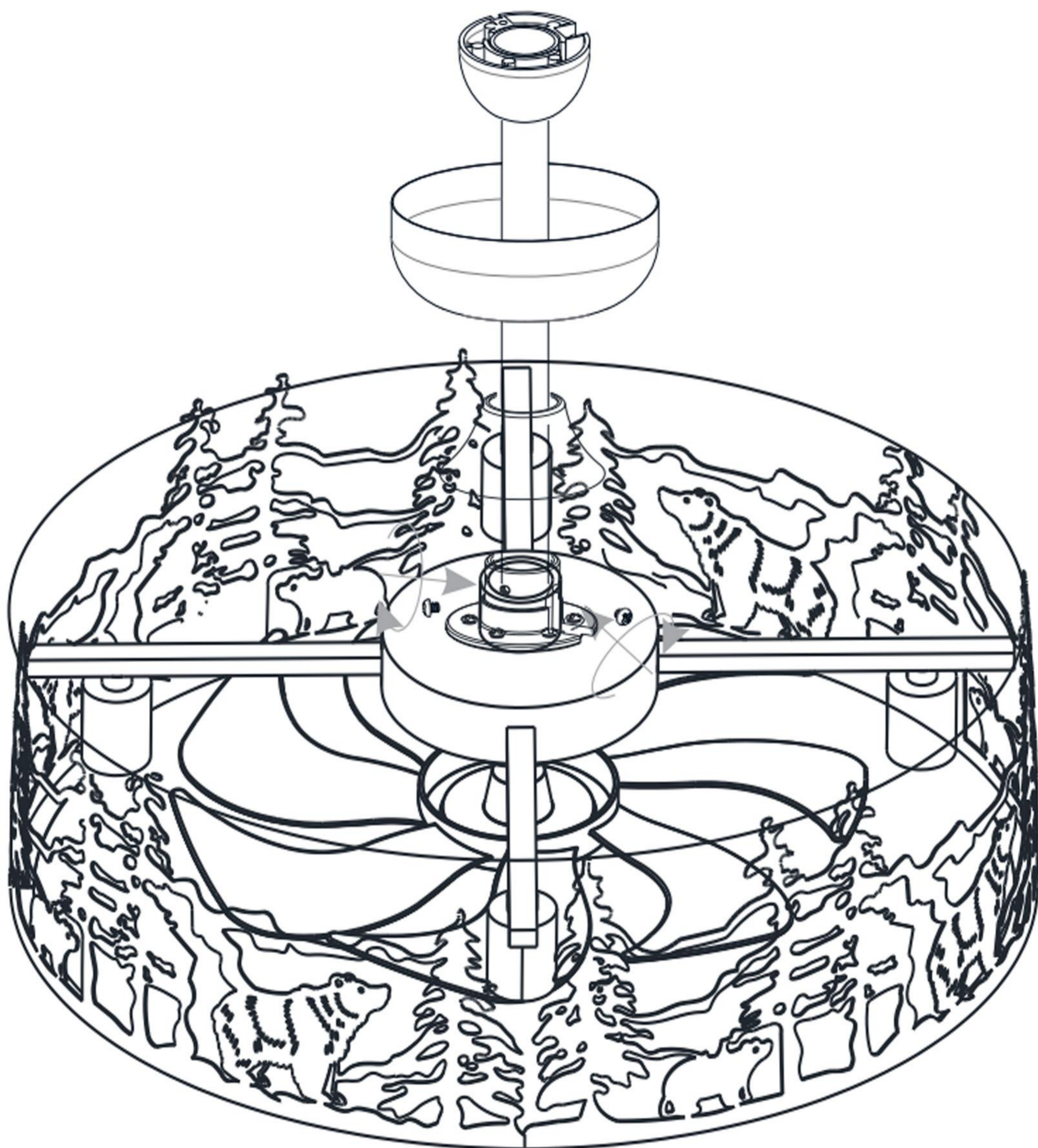
4

1. Pass the wire through the hanger rod
2. Insert the sleeve into the shaft
3. Pass the pin through the hanger head and the hanger rod



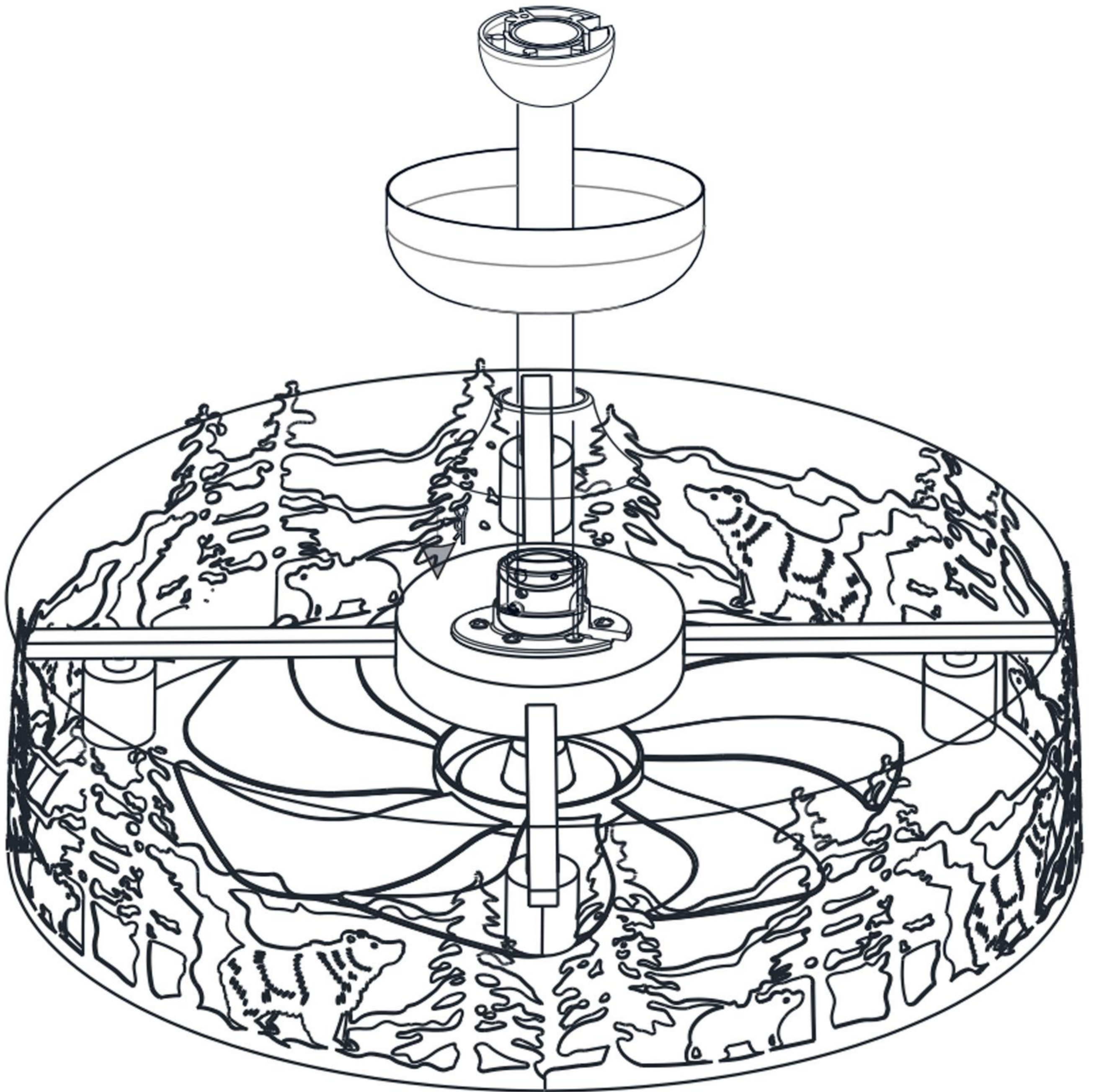
## INSTALLATION

- 5** Tighten the screw from the side



## INSTALLATION

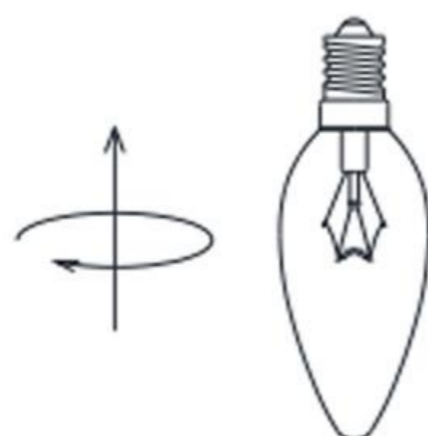
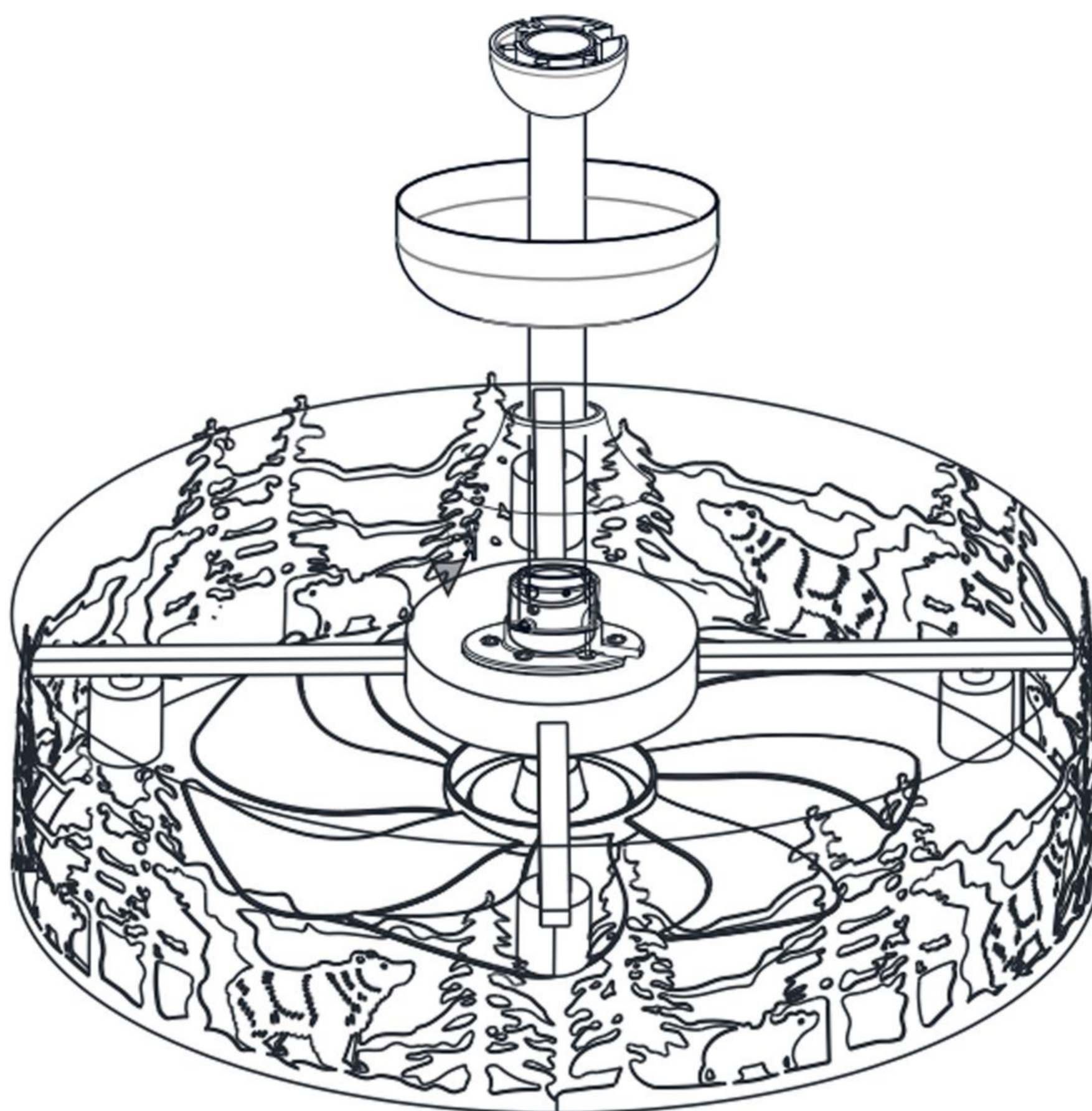
- 6 Insert the R pin into the horizontal pin hole



## INSTALLATION

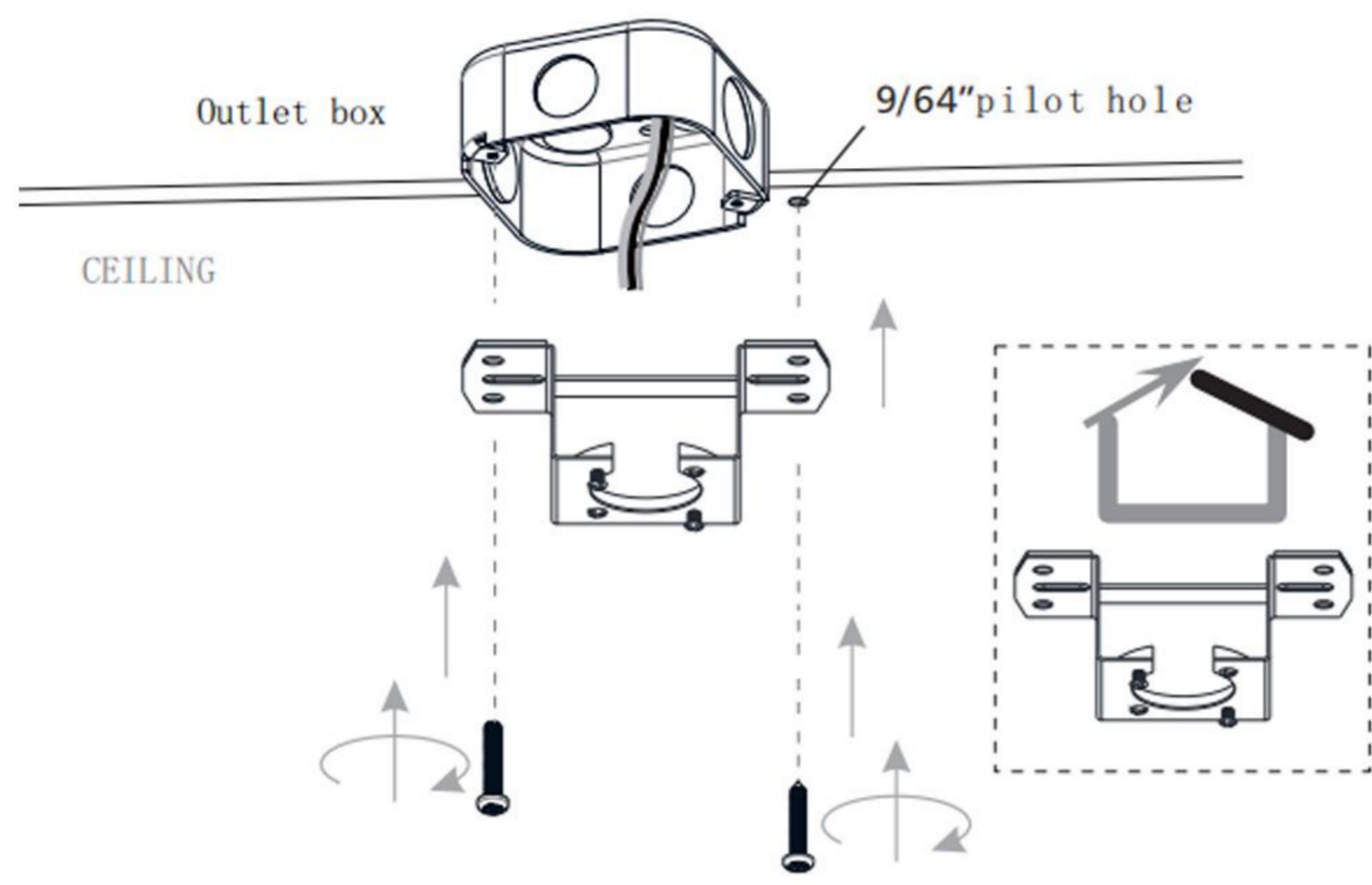
### 7 Install Bulbs(not included)

Install four correct bulbs referring to fixture markings and/or labels for maximum wattage. Before installing the bulb rotate the fixture base to 45 degrees to be able to install the bulb. If the angle needs to be changed, disconnect the power supply



# INSTALLATION

## 8 Install Hanger Frame

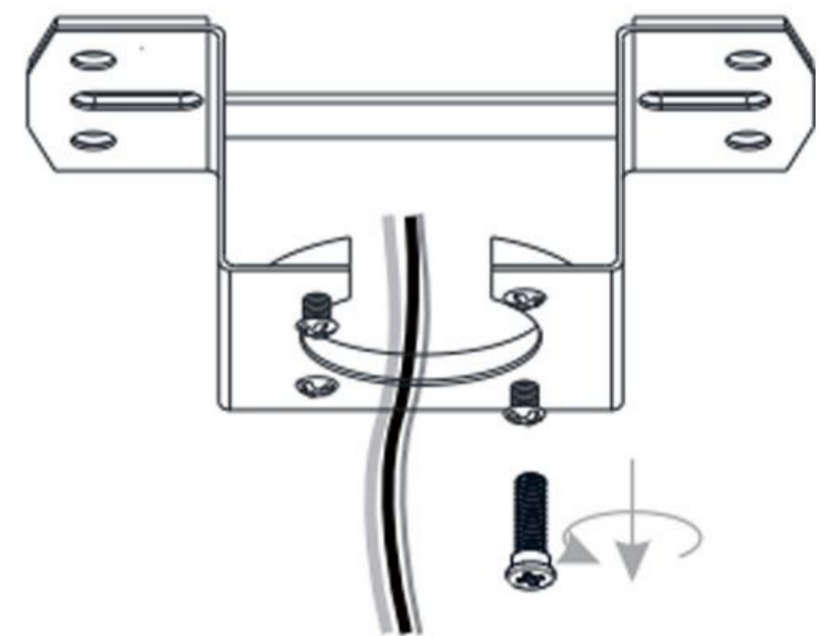


Use machine screws when securing to existing ceiling fan-rated outlet box.

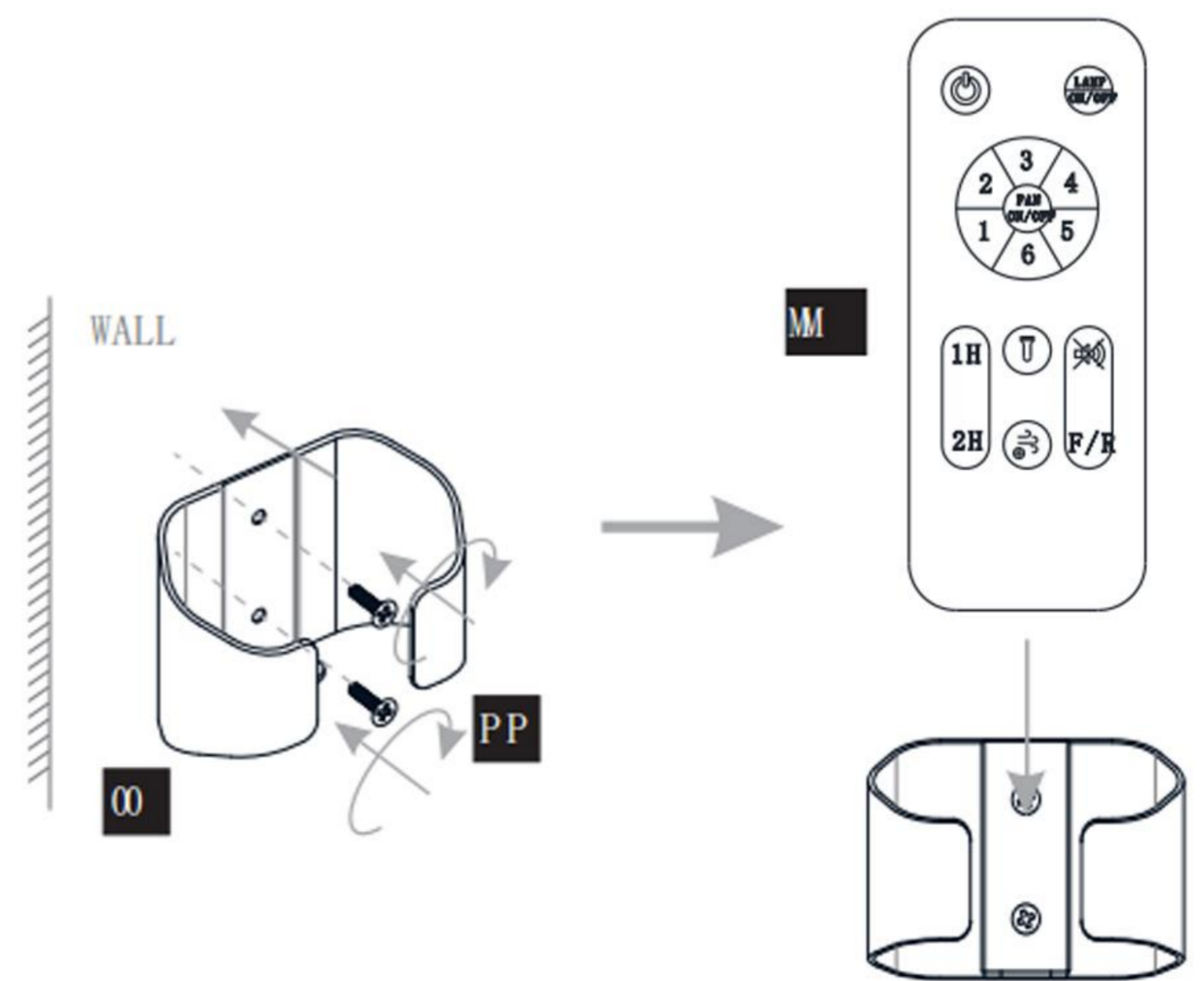
This fan cannot be used for the ceiling which angle is greater than 19 degrees.  
For angled ceilings, point opening toward peak.

## 9 Loosen Shoulder Screws

Remove one shoulder screw from hanger frame. Loosen the other shoulder screw approximate 1/4" and retain it on the hanger frame.

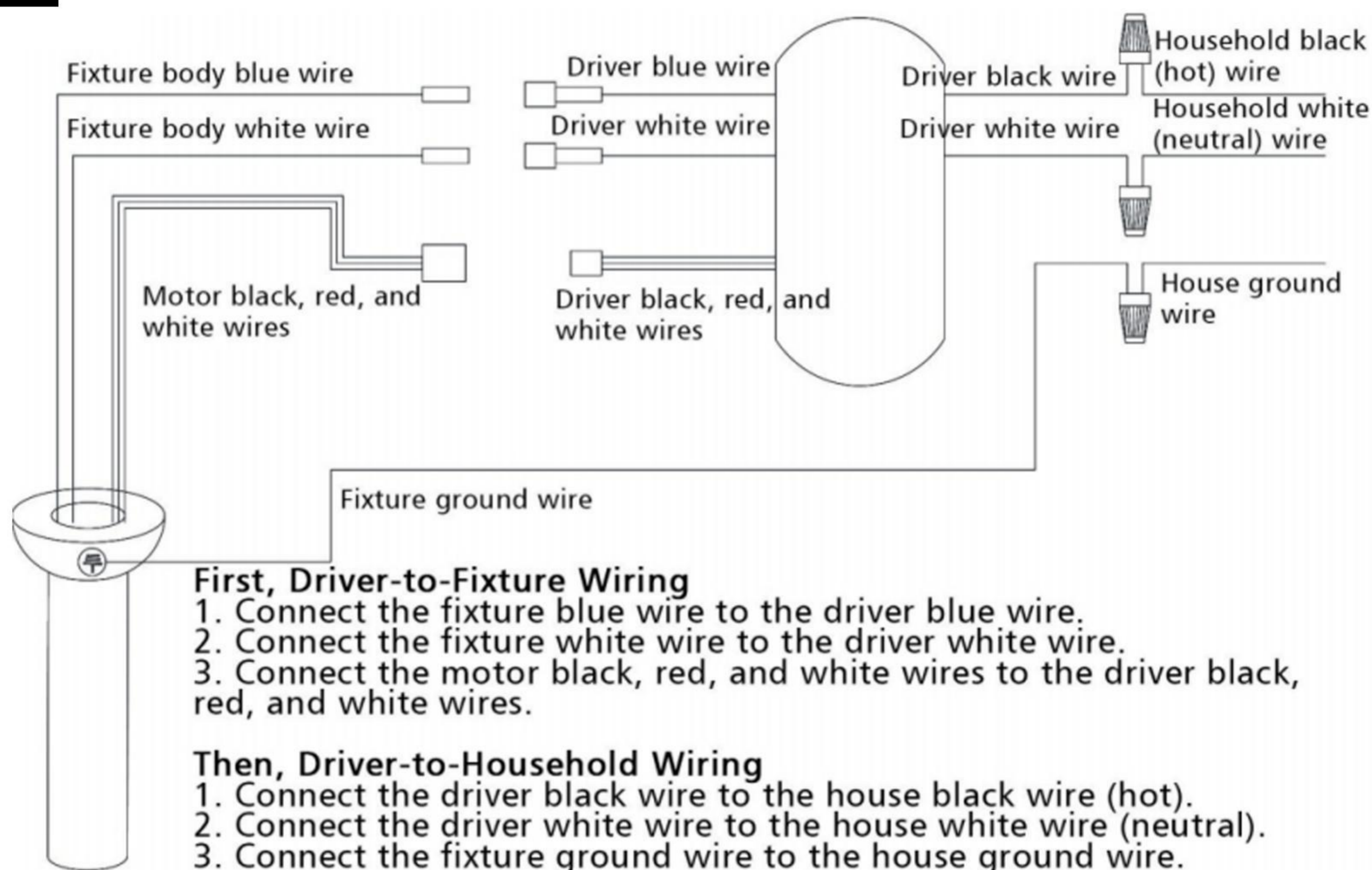


## 10 Install Wall Bracket

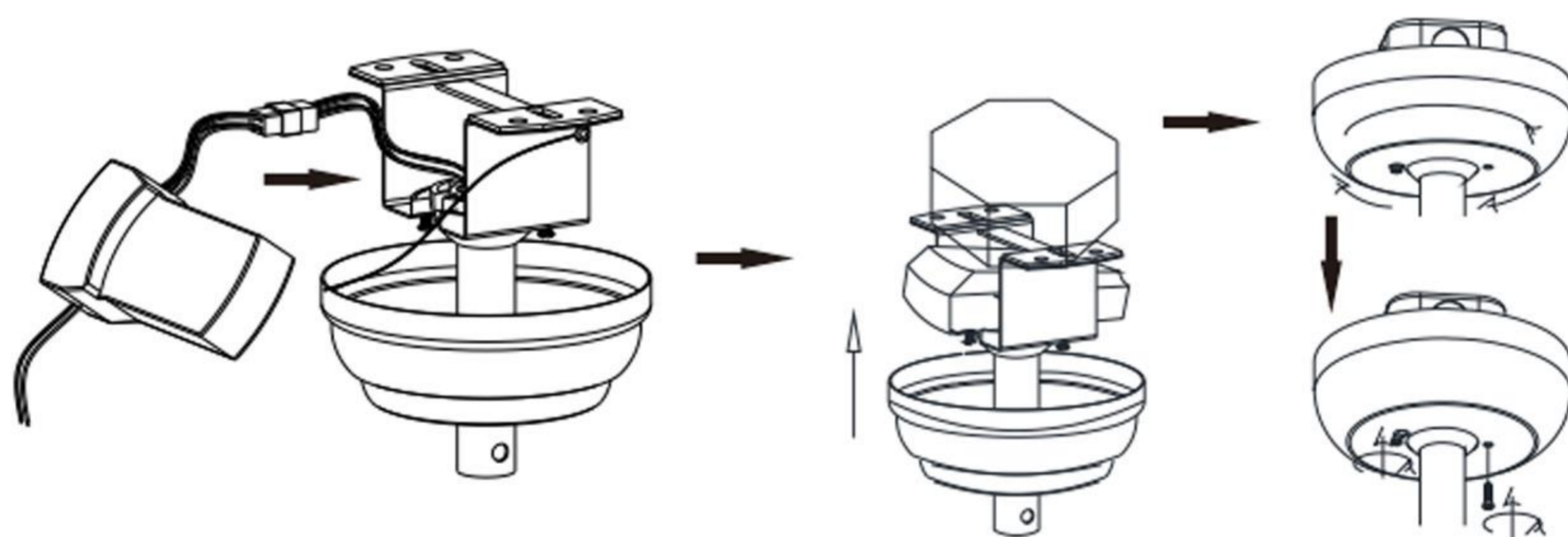


## INSTALLATION

### 11 Wiring



### 12 Install remote control driver

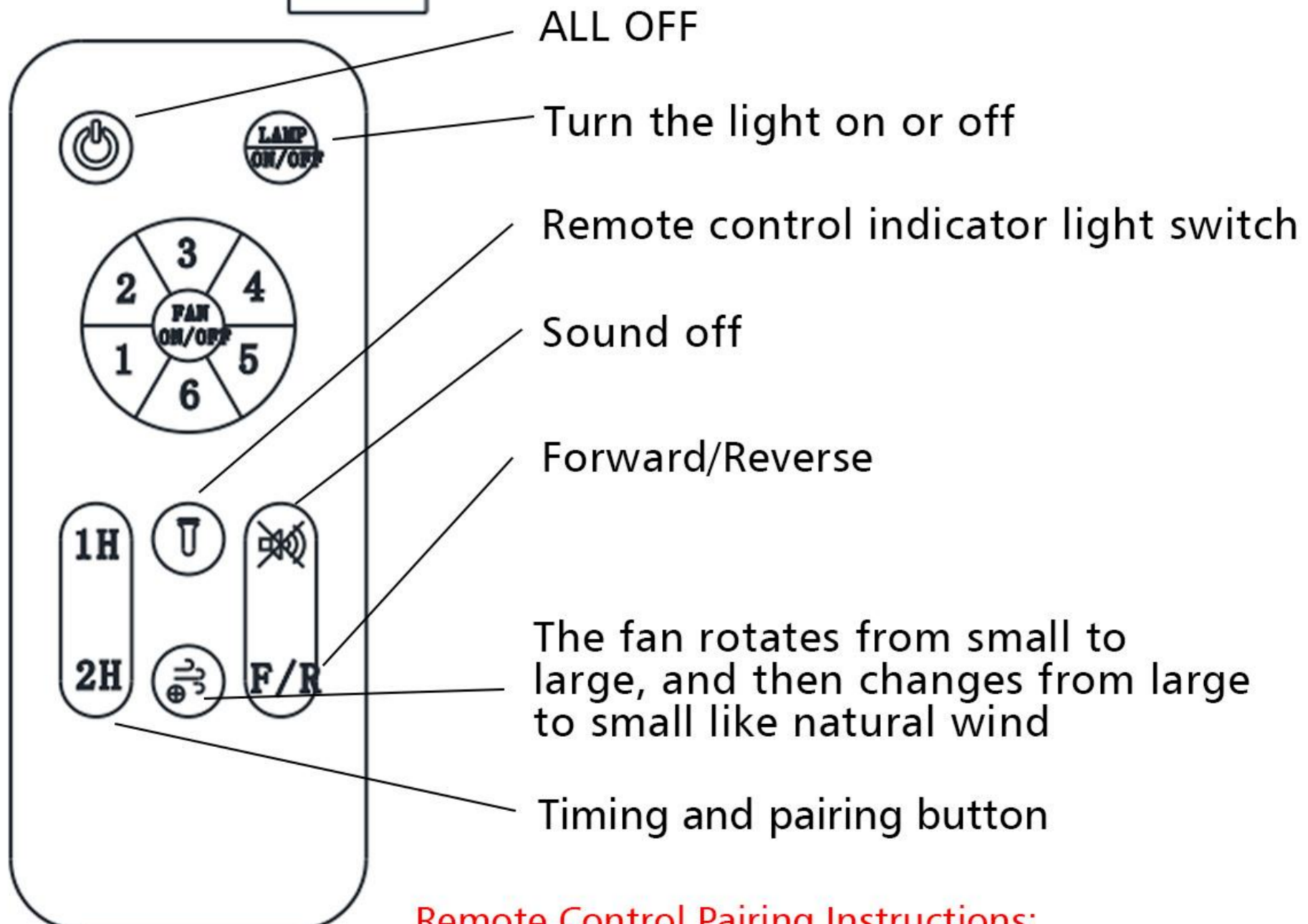
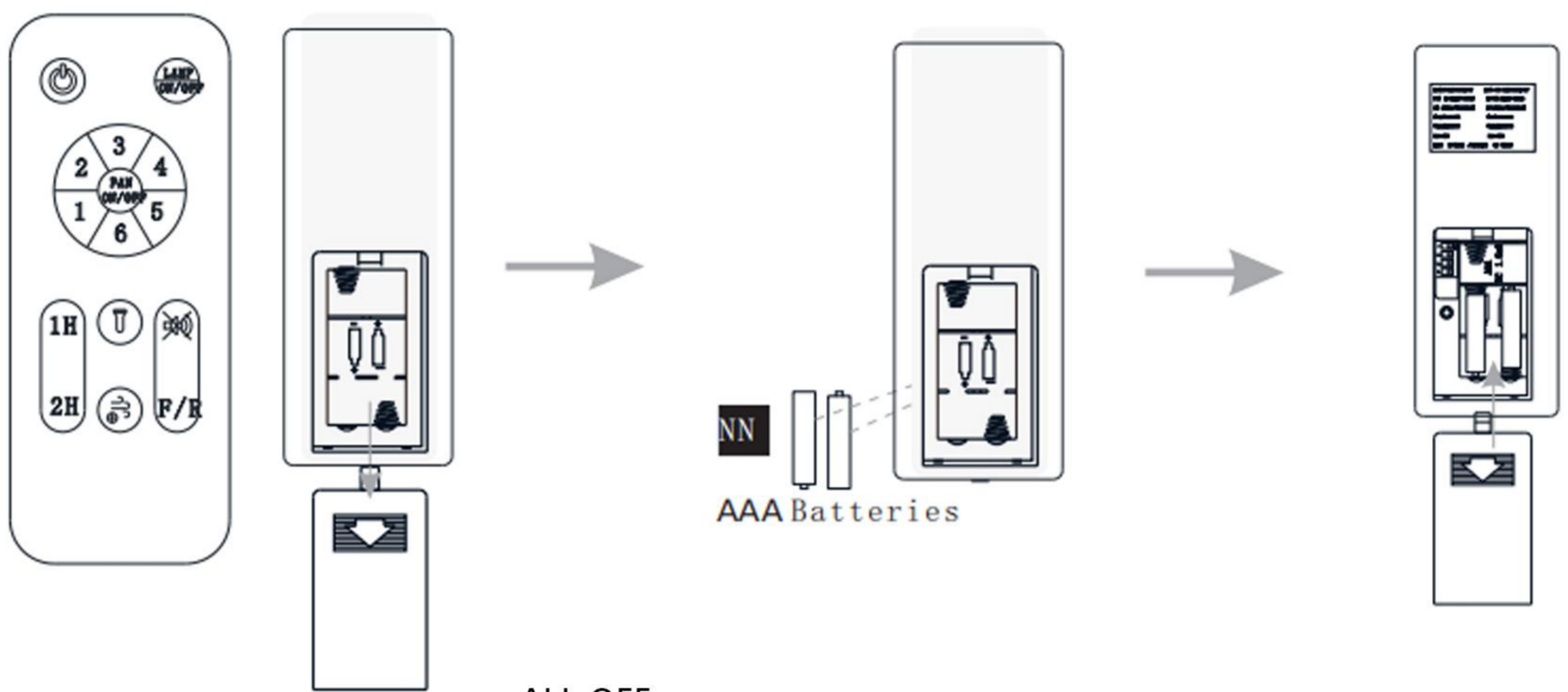


1. Hang the entire fan body onto the hanger frame, ensuring the tab on the hanger ball is aligned with the groove on the hanger frame.
2. Insert the remote control driver into the hanger frame as shown.
3. Slide the ceiling canopy up to cover the hanger frame, and thread the 2 screws from Step 8 into the 2 holes at the bottom of the hanger frame (do not tighten yet).
4. Rotate the ceiling canopy slightly to lock it into place.
5. Finally, fully tighten the 2 screws.

# INSTALLATION

## 13 Remote Control Instruction

- 1 Remove the back cover
- 2 Installing the battery
- 3 Close the back cover



**Remote Control Pairing Instructions:**  
(If the remote is not working, please refer to this method)  
1. Turn on the wall switch (if it's already on, please turn it off first, then back on).  
2. Press and hold the 2H button for 5 seconds to pair the fan light with the remote control.  
3. A beep sound will be heard after successful pairing.

Your installation is now complete. Save this sheet for future