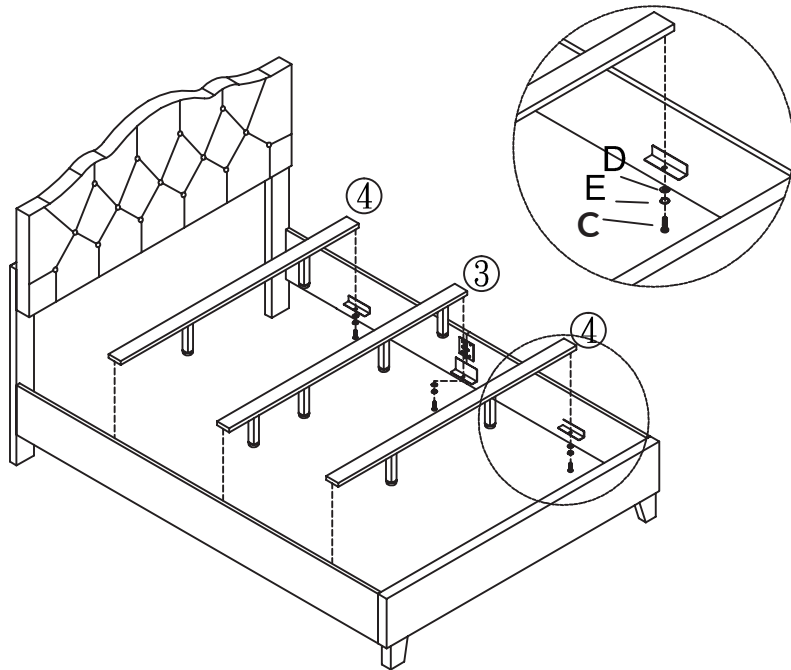
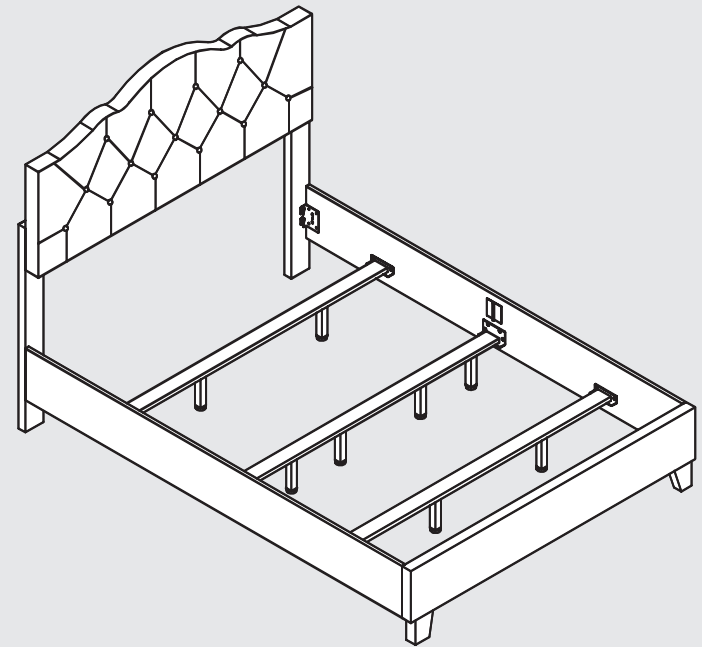


- 8** Attach Center Support Slat (3) and Support Slats (4) to Side Panels (1) using Bolt (C), Spring Washer (E) and Washer (D). Tighten using provided Allen Key (H).

Model: \_\_\_\_\_  
Lot No: \_\_\_\_\_  
Date of Purchase: \_\_\_\_\_



## BED EASTERN KING



### ADULT ASSEMBLY REQUIRED

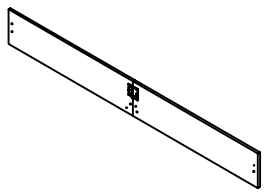
If you are missing any parts or have any questions regarding assembly, do not return this item to the retailers store. Please call our toll-free, customer service number and have this assembly manual open to the parts list ready to provide the model name, number and part name or number.



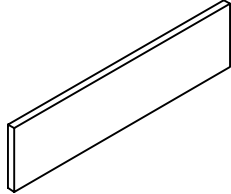
**WARNING:** This product may contain small components, please ensure they are kept away from small children.

## PARTS

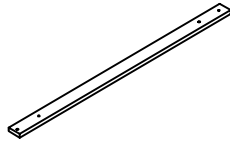
Avoid using sharp objects such as a knife to cut open packing as you may accidentally damage the upholstery.



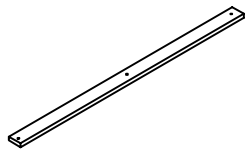
1. Side Rails  
2x



2. Footboard  
1x



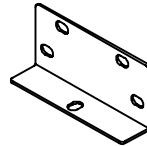
3. Center Support Slat  
1x



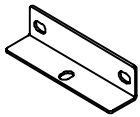
4. Support Slat  
2x



5. Center Support Leg  
8x



6. Center Slat Support Bracket  
2x



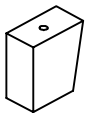
7. Slat Support Bracket  
4x



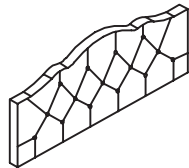
8. Right Side Rail Bracket  
2x



9. Left Side Rail Bracket  
2x



10. Legs  
2x



11. Headboard  
1x

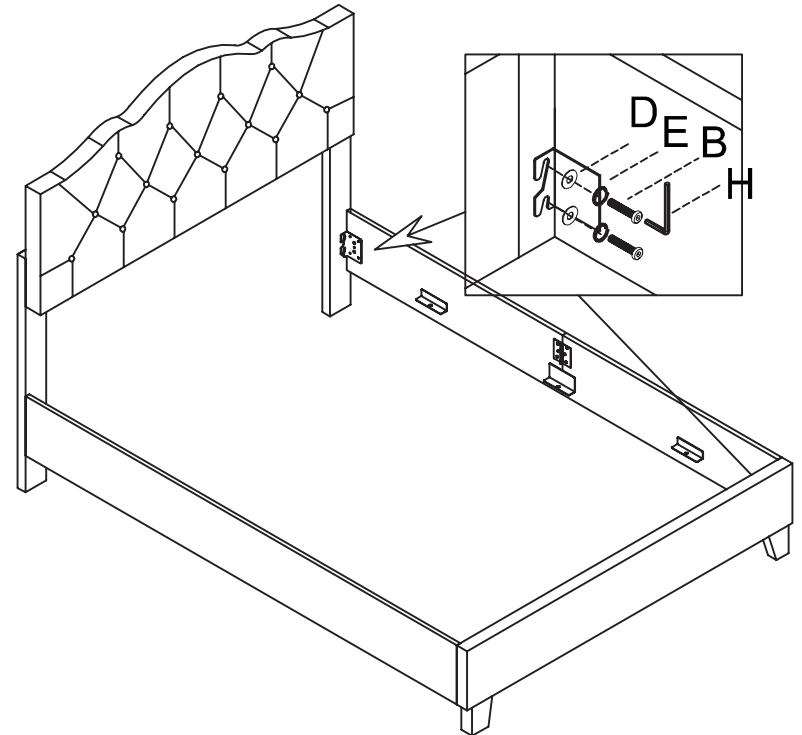


12. Headboard  
Left Leg  
1x

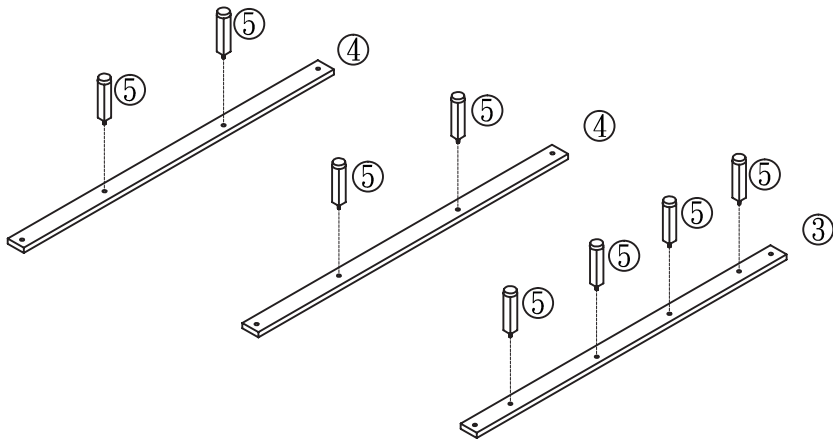


13. Headboard  
Right Leg  
1x

**7** Attach Side Panels (1) to Footboard (2) and Headboard (11) using Bolt (B), Spring Washer (E) and Washer (D). Tighten using provided Allen Key (H).

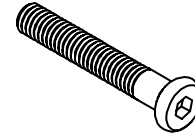


- 5** Attach Center Support Leg (5) to Support Slat (4) and Center Support Slat (3) by hand turning threaded post into insert nut.

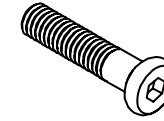


**HARDWARE**

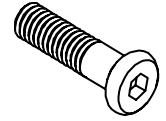
Avoid using sharp objects such as a knife to cut open packing as you may accidentally damage the upholstery.



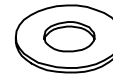
A. M8x60mm Bolt  
2x



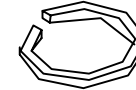
B. M8x25mm Bolt  
8x



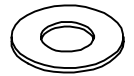
C. M8x20mm Bolt  
30x



D. M8x22mm Washer  
44x

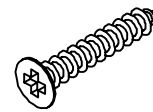
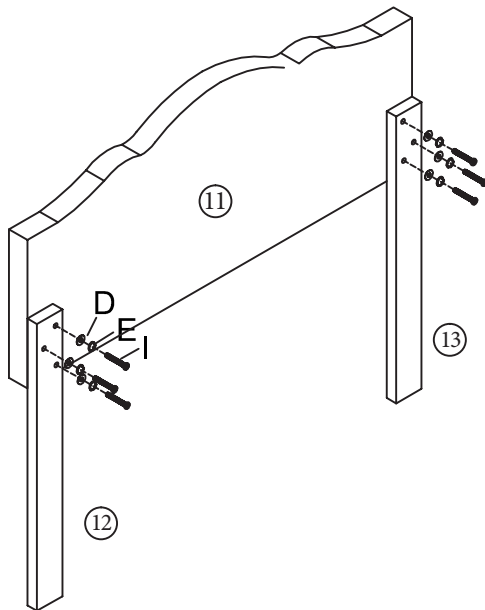


E. Spring Washer  
46x

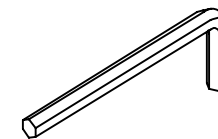


F. M8x19mm Washer  
2x

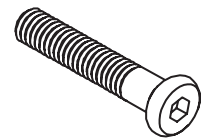
- 6** Attach Headboard Left Leg (12) and Headboard Right Leg (13) to Headboard (11) using Bolt (I), Spring Washer (E) and Washer (D). Tighten using provided Allen Key (H).



G. Screw  
16x



H. Allen Key  
1x

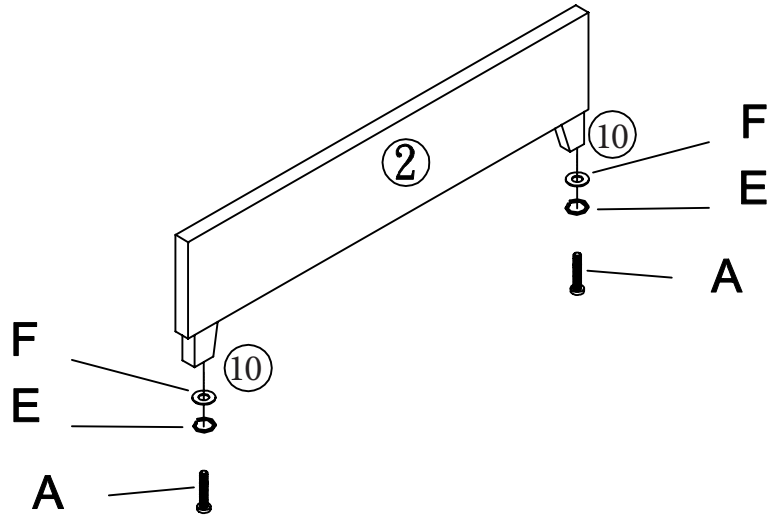


I. M8x45mm Bolt  
6x

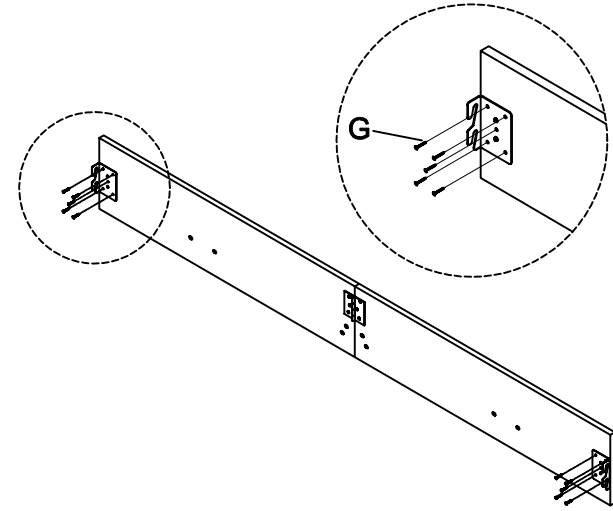
## ASSEMBLY INSTRUCTIONS

Do not fully tighten bolts until assembly is complete.

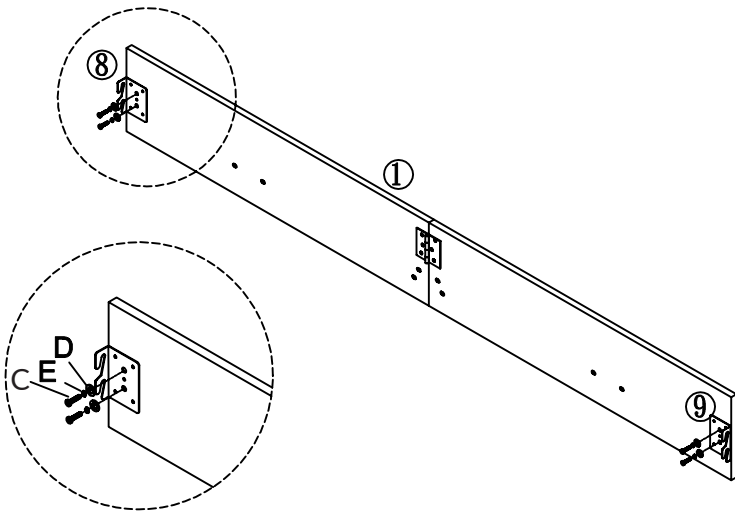
- 1** Attach Legs (10) to Footboard (2) using Bolt (A), Spring Washer (E) and Washer (F). Tighten using provided Allen Key (H).



- 3** Secure Right Side Rail Bracket (8) and Left Side Rail Bracket (9) to Side Rails (1) using Screw (G). Tighten using screw driver.



- 2** Attach Right Side Rail Bracket (8) and Left Side Rail Bracket (9) to Side Rails (1) using Bolt (C), Spring Washer (E) and Washer (D). Tighten using provided Allen Key (H).



- 4** Attach Slat Support Bracket (7) and Center Slat Support Bracket (6) to Side Rails (1) using Bolt (C), Spring Washer (E) and Washer (D). Tighten using provided Allen Key (H).

