

# Barn Door Hardware

## INSTALLATION MANUAL

In case of questions or missing parts, please contact

 Dooraftersale@gmail.com

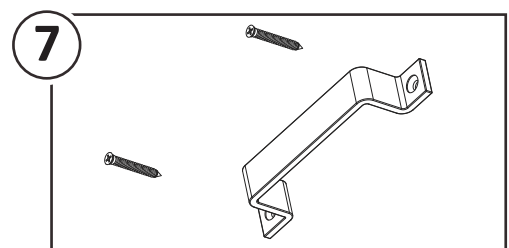
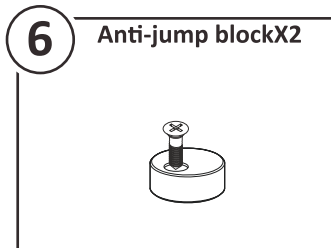
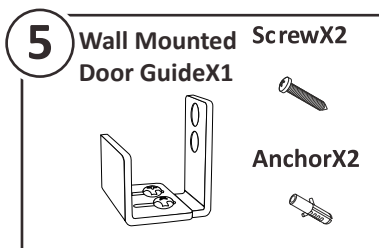
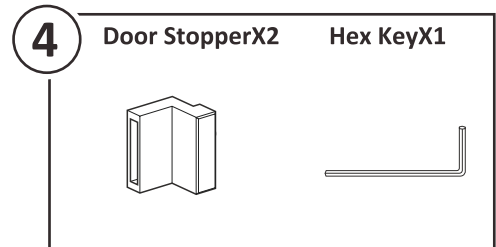
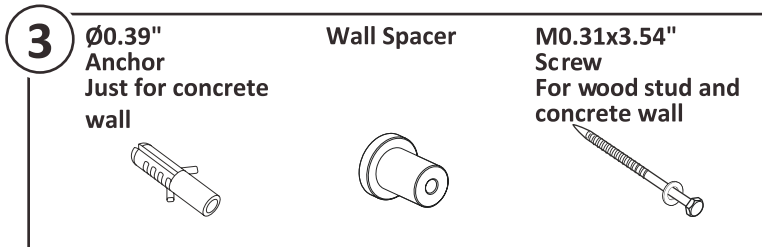
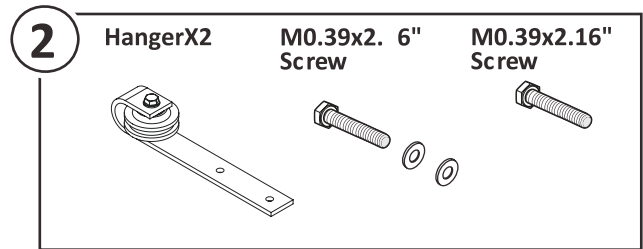
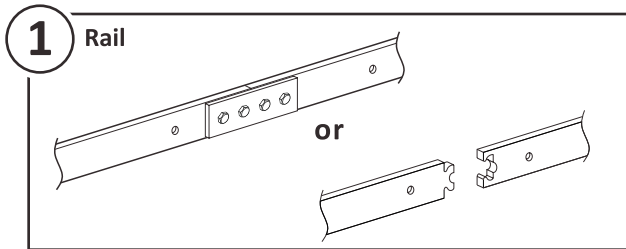


2 PERSON  
ASSEMBLY



UP TO 30 MIN.  
ASSEMBLY

### Hardware Included



## Tools required



Speed Square



Pencil



Phillips  
Screwdriver



Tape



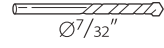
Wrench



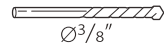
Level



Drill



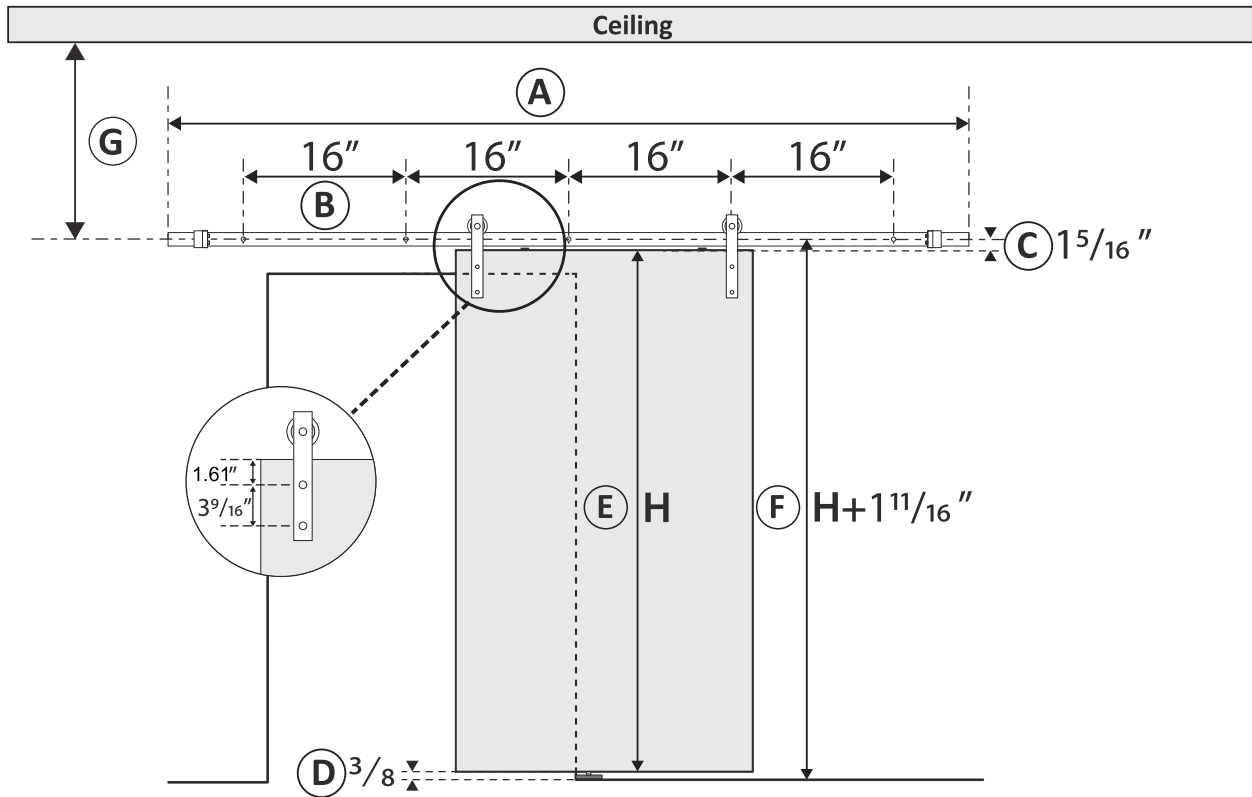
$\text{Ø}7/32''$



$\text{Ø}3/8''$

Drill Bit

## Measure Before You Start



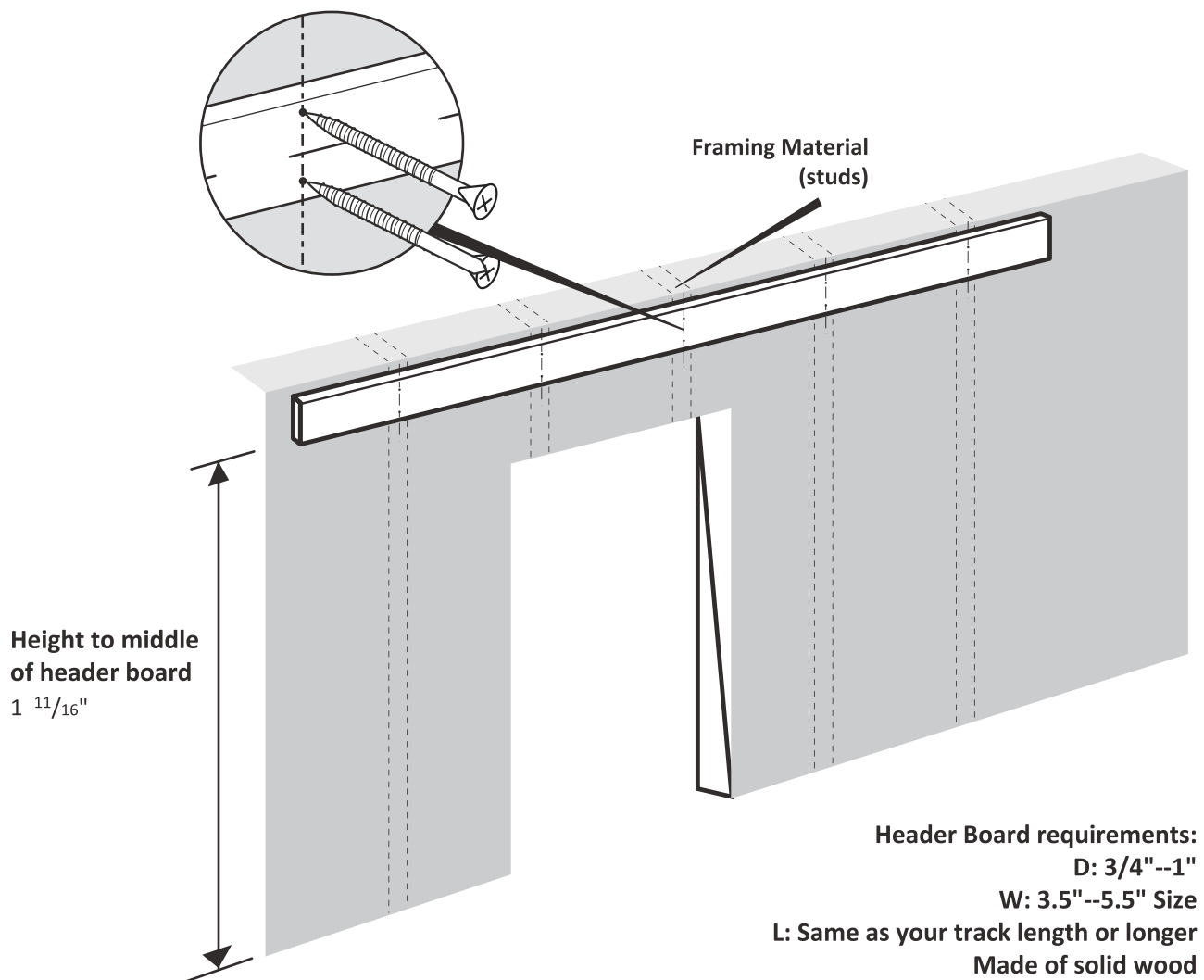
- (A)** Overall rail length is 6ft
- (B)** The gap between each pre-drilled hole is 16".
- (C)** Distance from door top side to holes on the wall is  $1 \frac{5}{16}''$ .
- (D)** Distance from the bottom of the door to the floor is  $\frac{3}{8}''$ .
- (E)** Door height is H.
- (F)** The height of holes on the wall is  $H + 1 \frac{11}{16}''$  (Measuring up from the highest point of the floor).
- (G)** Minimum distance from the rail hole to the ceiling is 5".

## Important Notes

**It is very important to determine whether you need to install a Header Board before you install the track.**

**IF you meet the following situations, we highly recommend you using a Header Board.**

- IF your wall studs are not 16" on center which won't line up with our rail (our rail comes with pre-drilled holes every 16" on center)
- IF your wall type is non-concrete wall, drywall or other wall type (as this may not support the weight of the track and mounted door)
- IF there is a doorway trim



**Attention: Header Board & the screws to install header board are not included.**

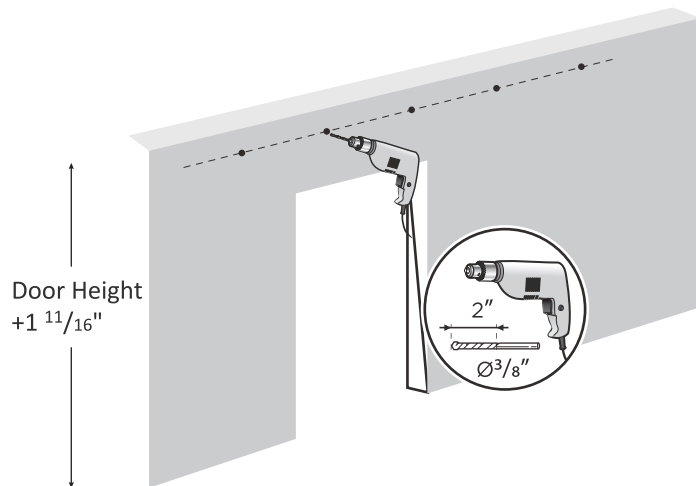
# Track Installation

## Step-1

Drill the marked holes with drill bits. Notice: The hole sizes of the 2 walls are different.

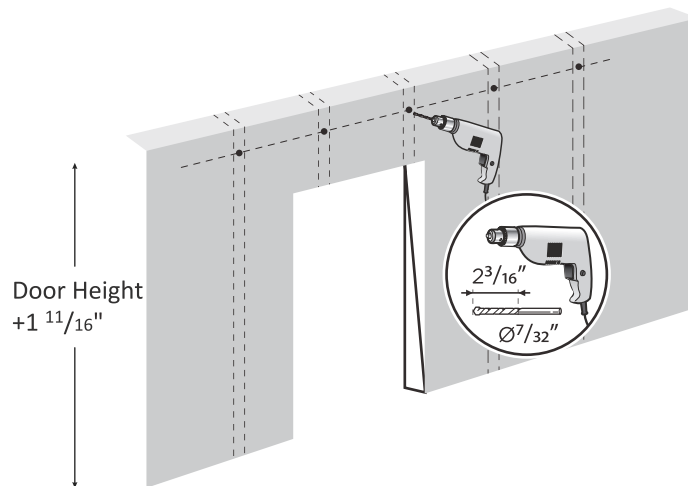
### A Concrete Wall

Drill the holes with  $\frac{3}{8}$ " drill bit



### B Drywall & Other Wall Type

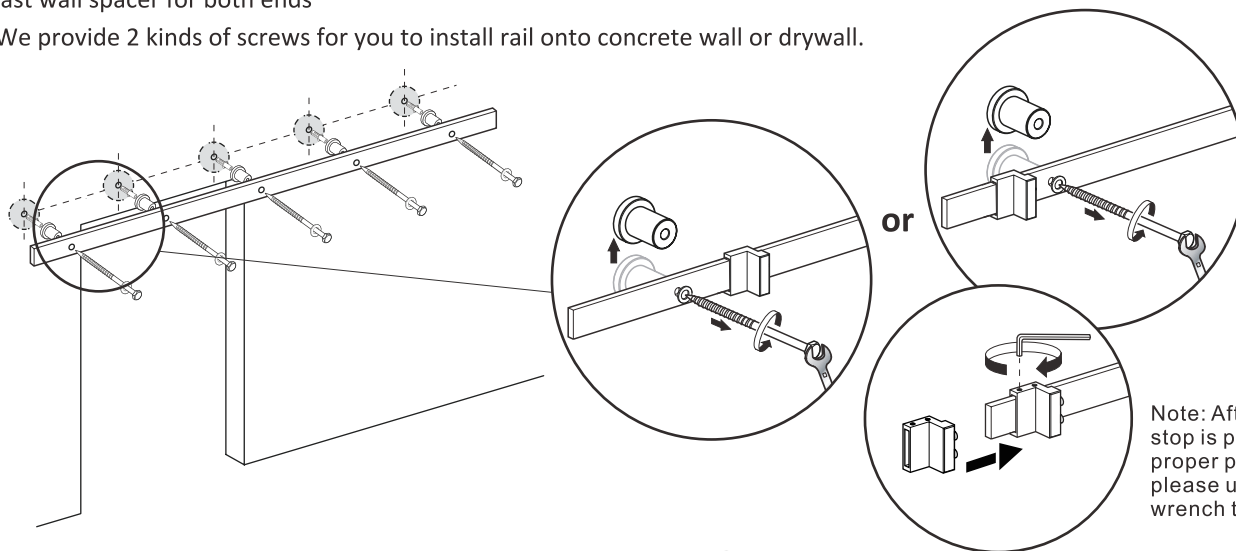
Drill the pilot holes directly with the drill bit which is smaller than  $\frac{7}{32}$ "



## Step-2

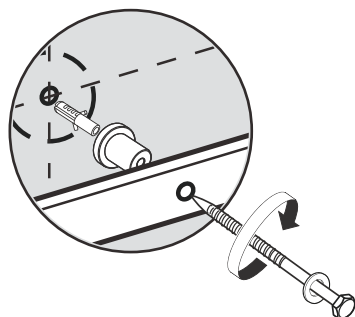
Depending on where you would like your barn door to stop, you can choose to place door stopper inside or outside the last wall spacer for both ends

We provide 2 kinds of screws for you to install rail onto concrete wall or drywall.



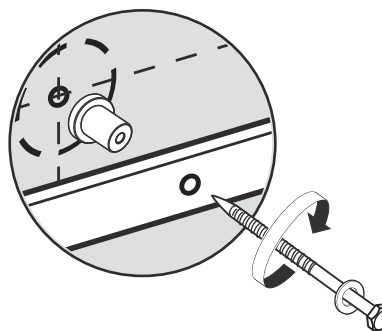
### A Concrete wall Installation.

Install the anchor to holes on the concrete wall first, then insert lag bolt to wall spacer and anchor.



### B Drywall Installation.

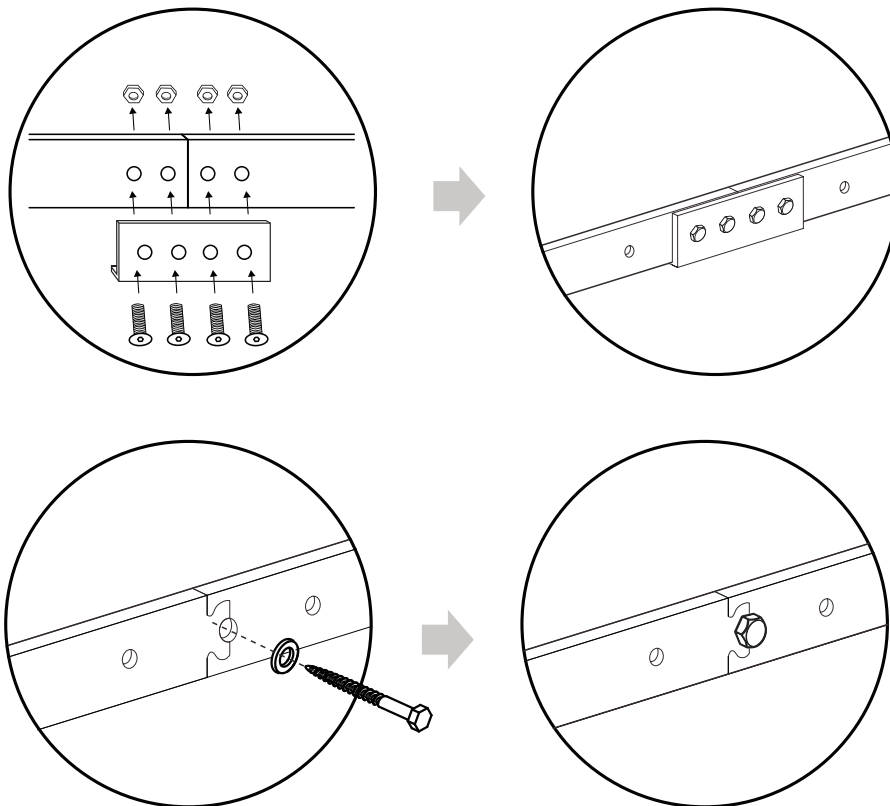
Insert the lag bolt to wall spacer and holes directly.



# Door Preparation

## Step-3

If your track comes in 2pcs or more, install the junction plate on to each two tracks like the diagram shown here.



## Step-4

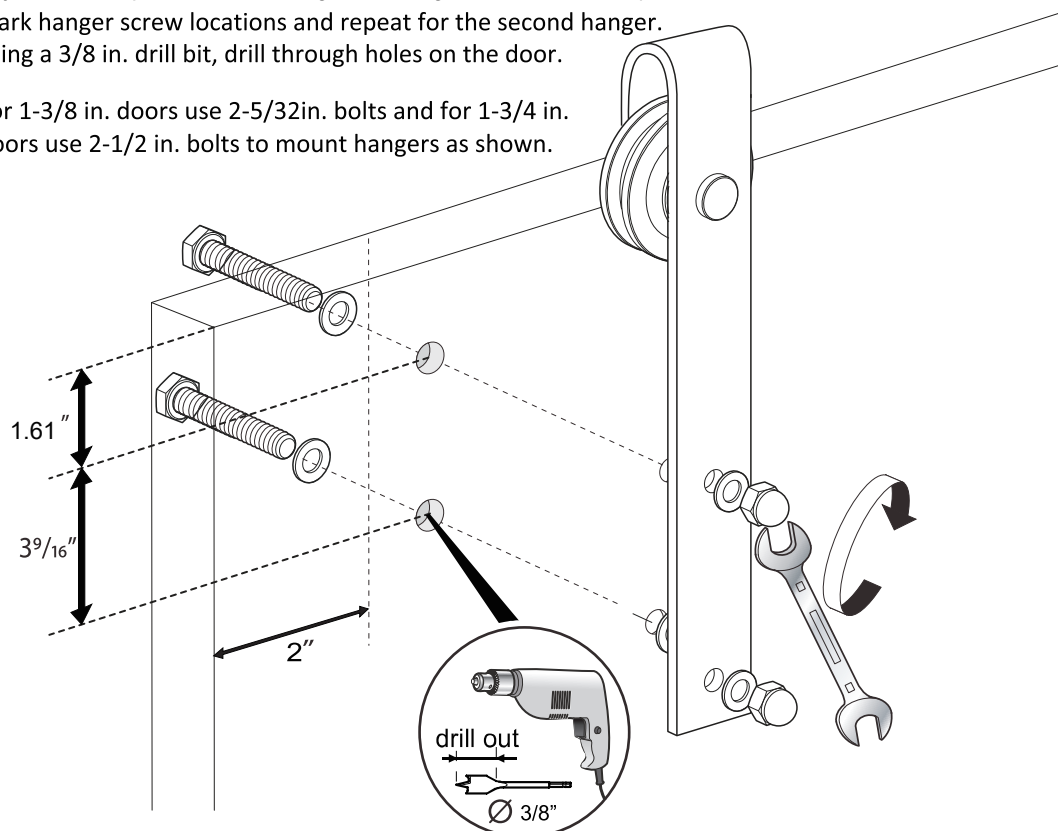
Position hanger on front of door so it is parallel to the edge of the door leaving at least 2 in. between the edge of the door and the hanger.

Adjust vertical placement of hangers leaving 1.61in. from the top of the door to the center of the first hanger hole.

Mark hanger screw locations and repeat for the second hanger.

Using a 3/8 in. drill bit, drill through holes on the door.

For 1-3/8 in. doors use 2-5/32in. bolts and for 1-3/4 in. doors use 2-1/2 in. bolts to mount hangers as shown.

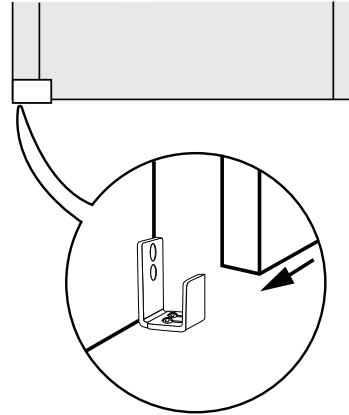


# Hang Your Door

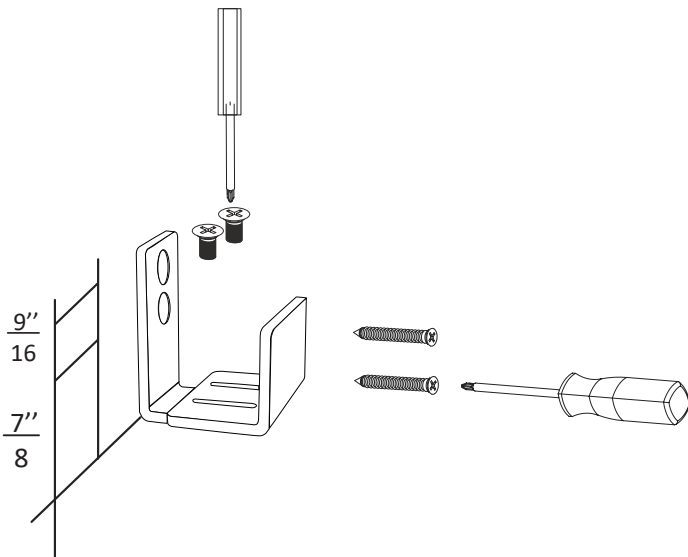
## Step-5

Install the wall mounted guide

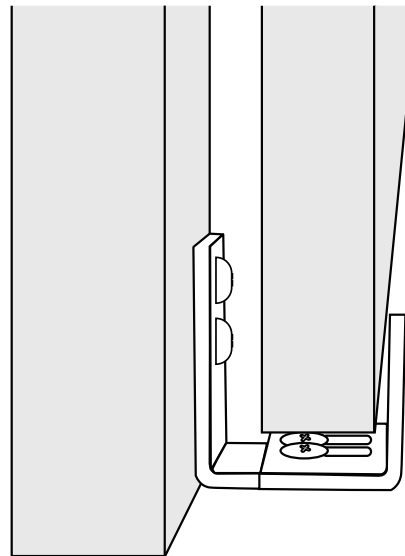
- Put the door guide on the floor against the wall. Adjust the position and width of the door guide, to the position that door can slide smoothly. Mark the position on the wall
- Use drill bit to drill holes on the wall accordingly, install the guide to the wall



(1)



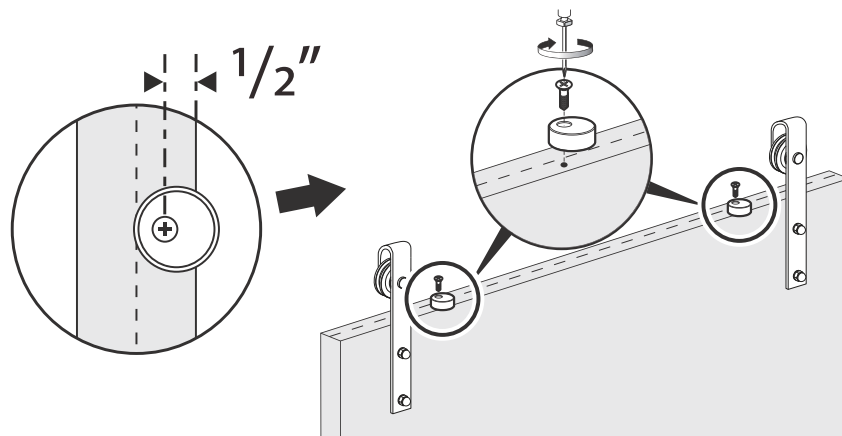
(2)



(3)

## Step-6

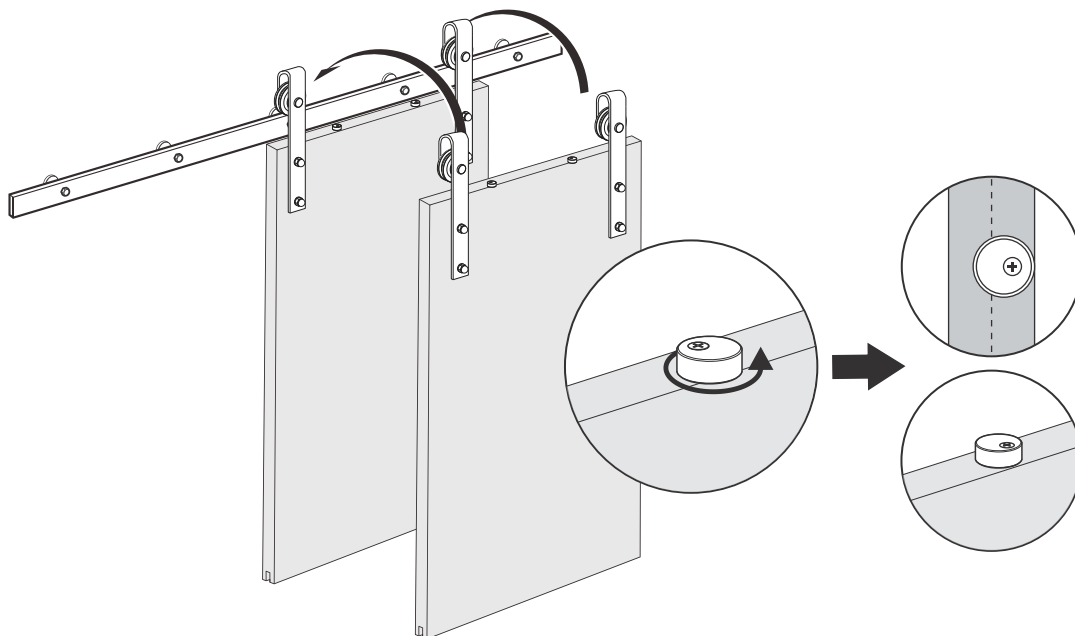
The anti-jump blocks are used to protect the door from touching the rail when sliding the door. You need to drill holes on the door top side, please drill the holes  $\frac{1}{2}$ " away from the edge of the door. Then install the anti-jump blocks on the door.



# Hang Your Door

## Step-7

Hang the door over the track and rotate the anti-jump blocks 180°



## Step-8

Install door handles

