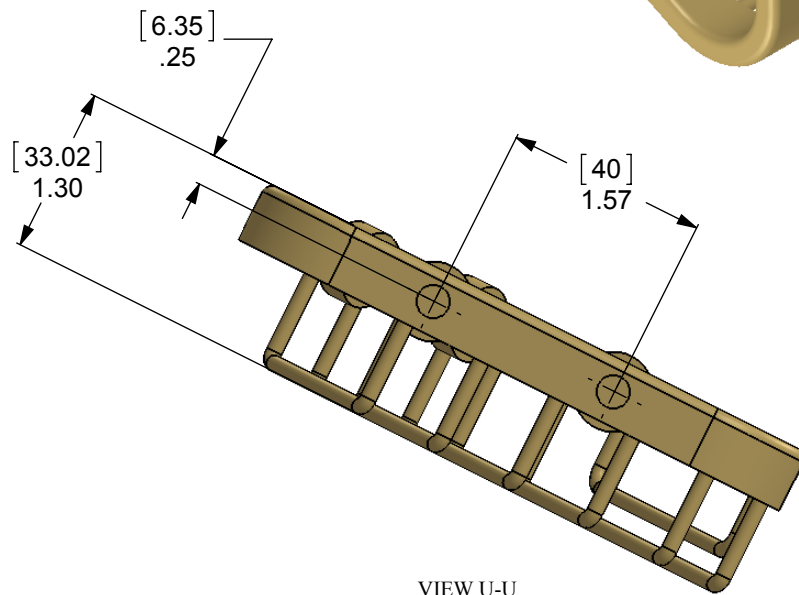
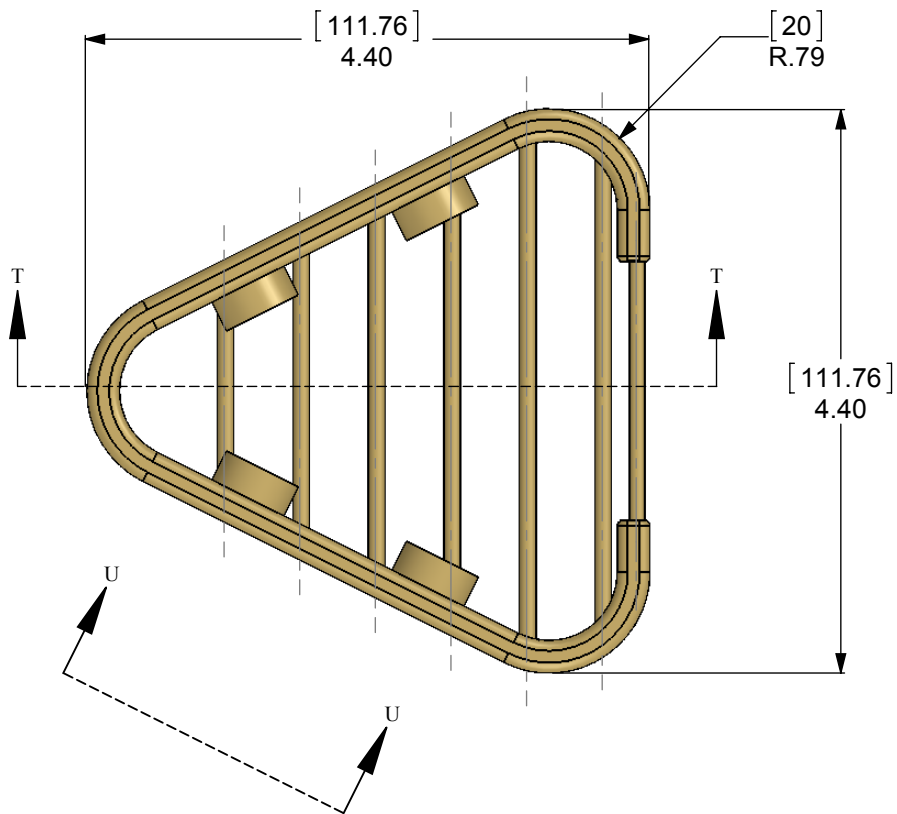
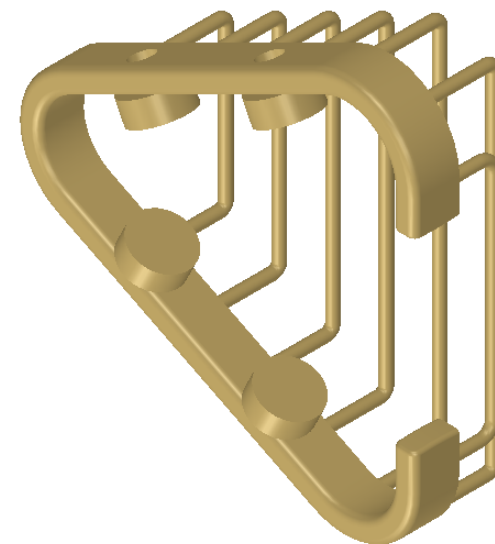


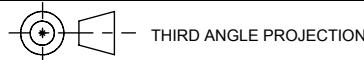
SECTION T-T



VIEW U-U

UNLESS OTHERWISE STATED

.X	±.3mm
.XX	±.15mm
.XXX	±.008mm



DRAWN
CHECKED
APPROVED

I.M	MATERIAL:	BRASS	FINISH	TBD
	DESCRIPTION:		QUANTITY	TBD
P.D	SHOWER BASKET			
R.A				
SCALE		1:1.5	SHEET: 01	A4