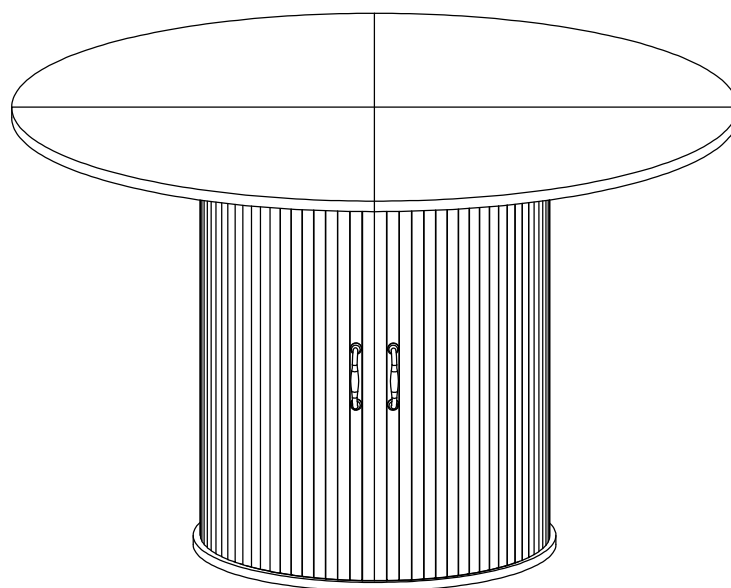


DINING TABLE
ASSEMBLY INSTRUCTIONS
MODEL NO.: RYS234

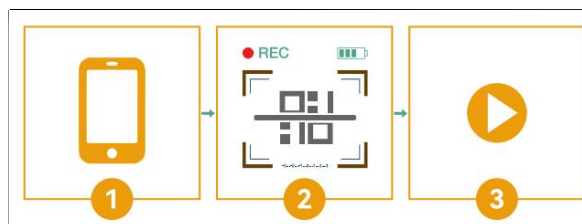


INSTALLATION VIDEO

Please scan QR code with iOS or Android phone camera,
click the link to play the installation video.

If QR code is damaged, please contact us to get installation video.

If no access for cell phone scanner, please try other APP.

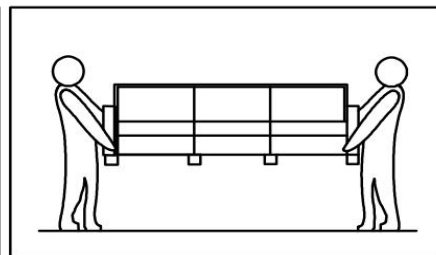
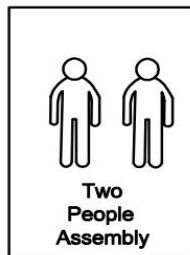
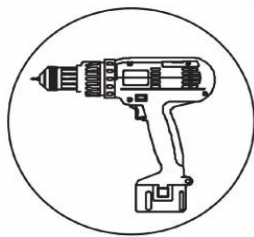


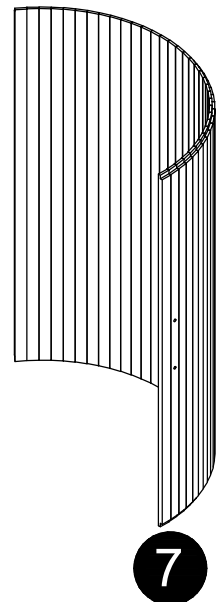
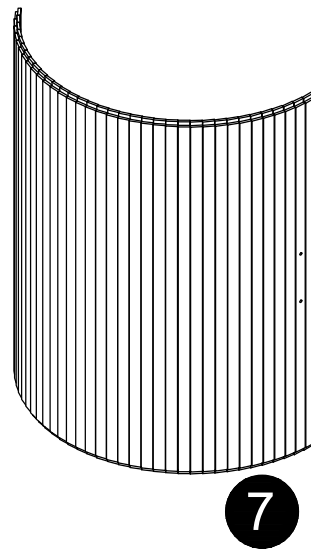
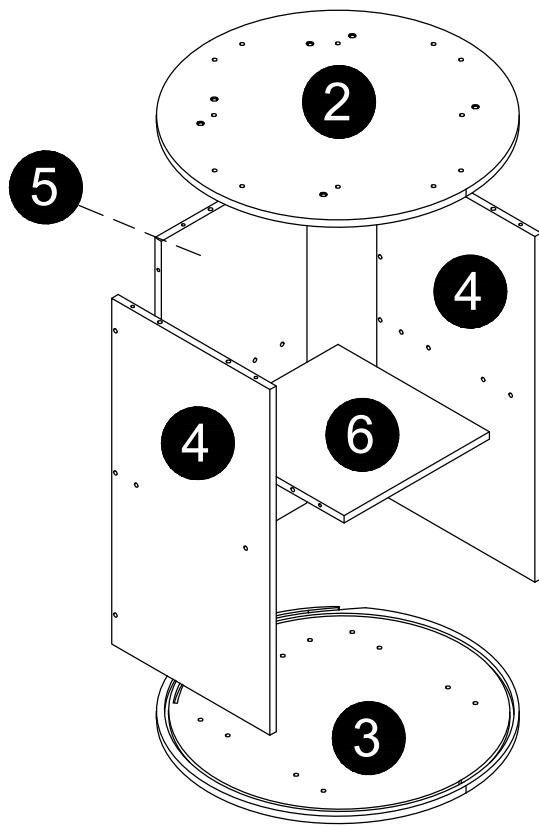
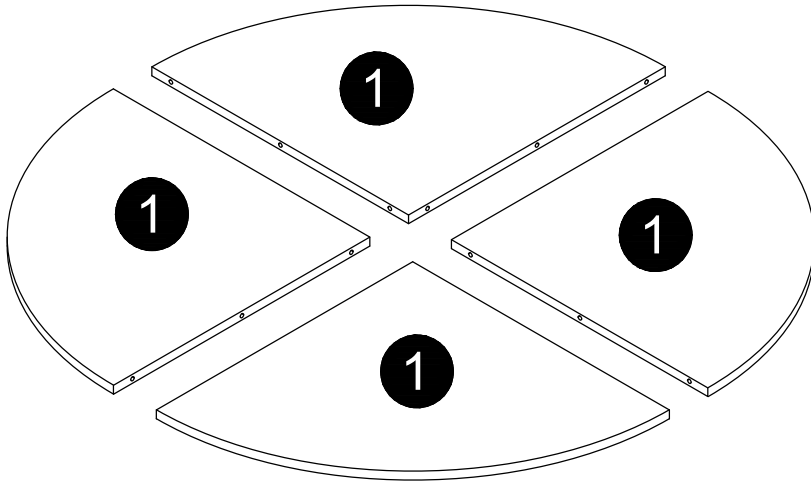
CAUTION:

- Please read the instruction completely before assembly.
- Please do not throw away any of the packaging or the instruction until you have all the components and when the furniture is fully assembled.
- Considering the size and weight of the sofa/table/chair, we recommend two adults to assemble the sofa/table/chair, on a carpeted or padded area.
- Keep all components and packaging out of reach of children or animals to avoid risk of choking or suffocation.
- Please keep children away from plastic bag or any small pieces of stuff.
- Cushions should be regularly maintained for perfect use.
- 2 people to install is recommend.
- 2 people to lift the sofa if you want to move it, do not push or pull directly
- Electric Drill tool is not included.

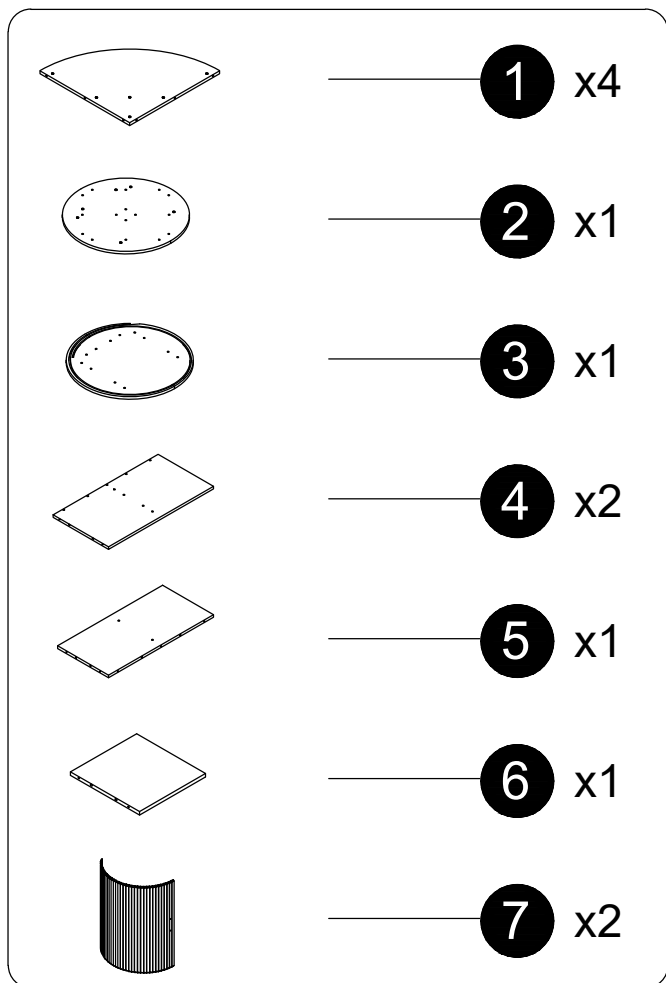
Electric drill will improve your assembling efficiency.

You can use it if you have this tool, DO NOT overtight to prevent from damaging screws and slats/boards.



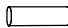

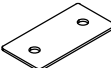
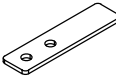









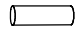


Components ▼

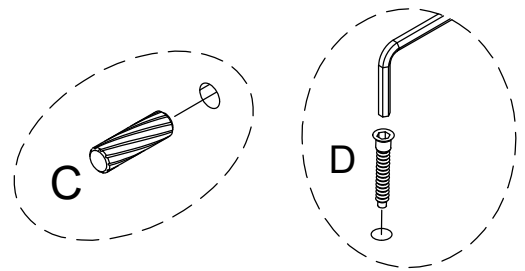
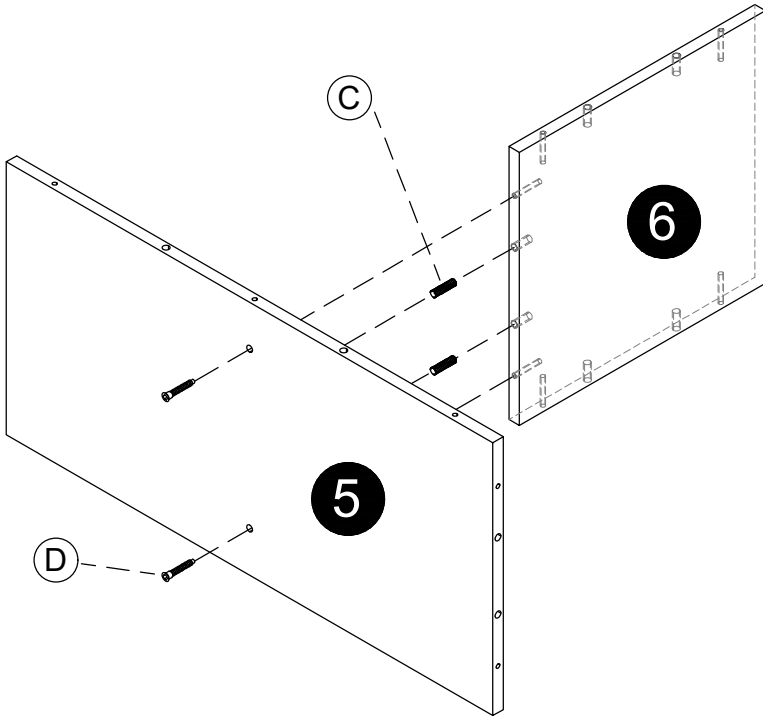


Screws & Tools ▼

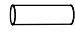


(A)		M6*12mm	x8
(B)		M6*22mm	x16
(C)		Φ8*30mm	x34
(D)		M7*38mm	x24
(E)			x4
(F)			x1
(G)			x2
(H)		M4*12mm	x4
(I)		Ø4*14mm	x2
(J)			x6
(K)		M4	x1

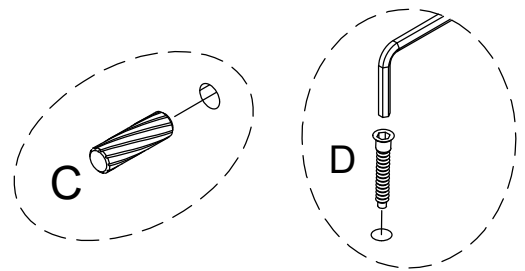
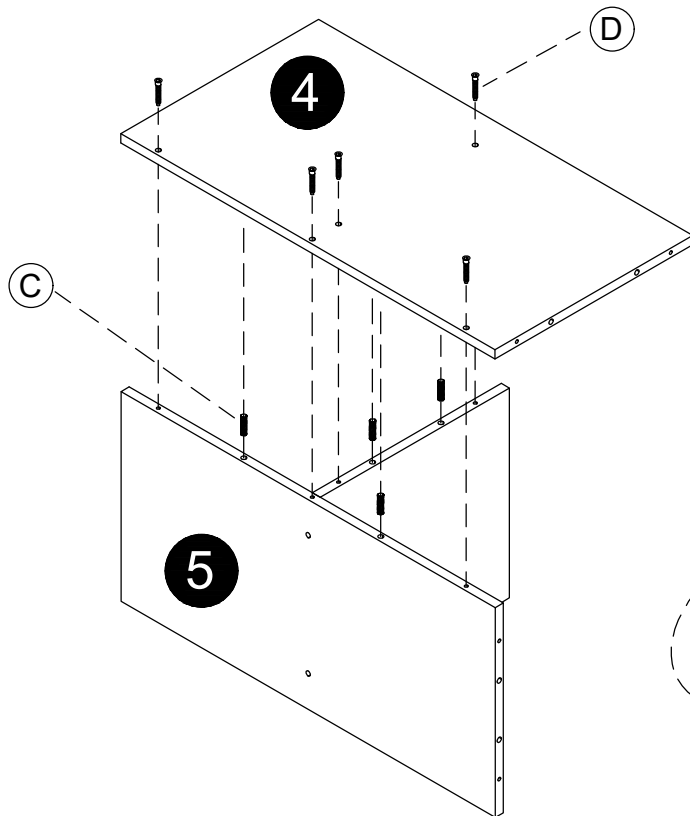
Step 1

(C)		Φ8*30mm	2pcs
(D)		M7*38mm	2pcs
(K)		M4	1pc



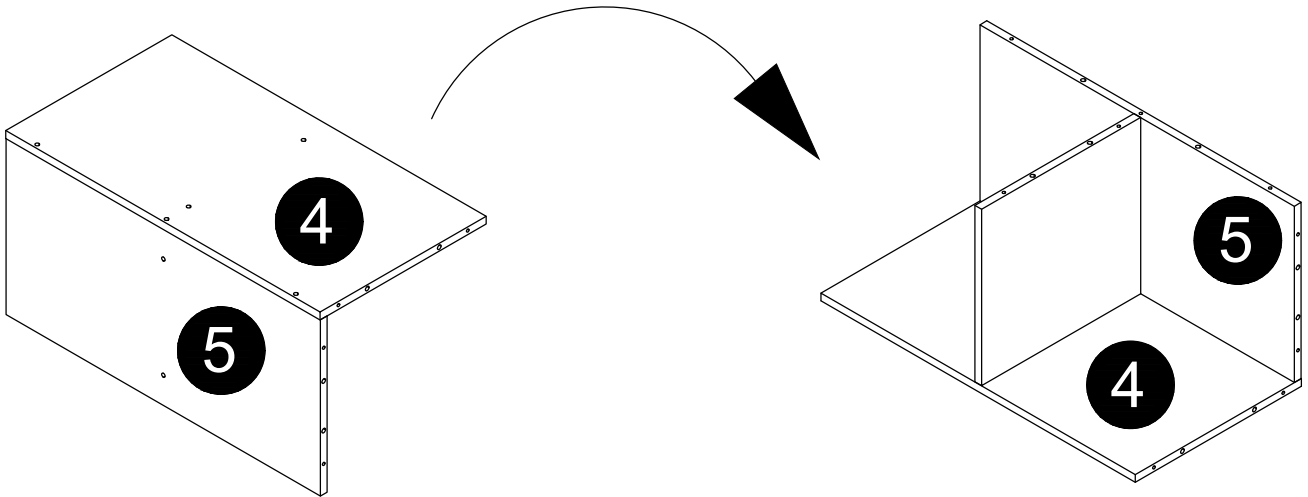
Step 2

(C)		Φ8*30mm	4pcs
(D)		M7*38mm	5pcs
(K)		M4	1pc

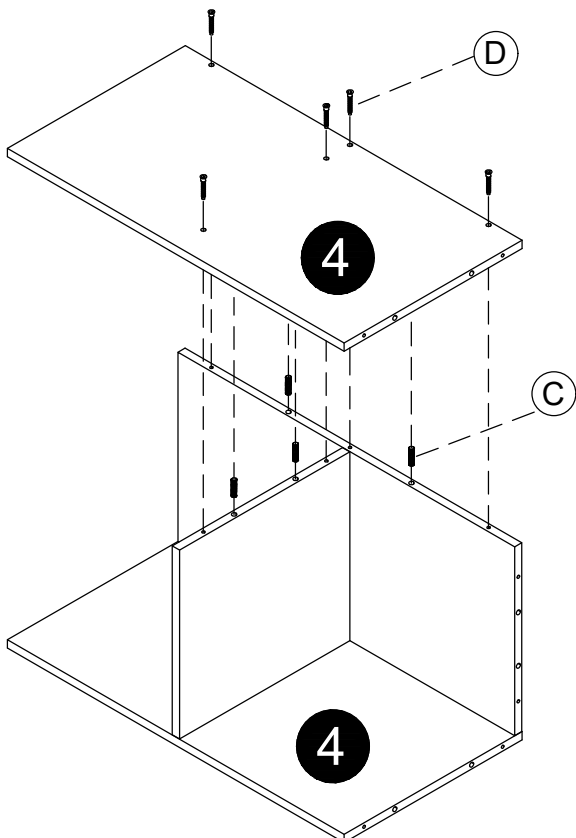


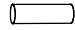


Step 3

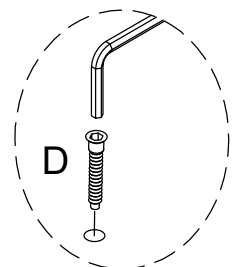
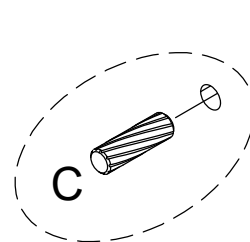
Please flip the product carefully.



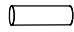


Step 4

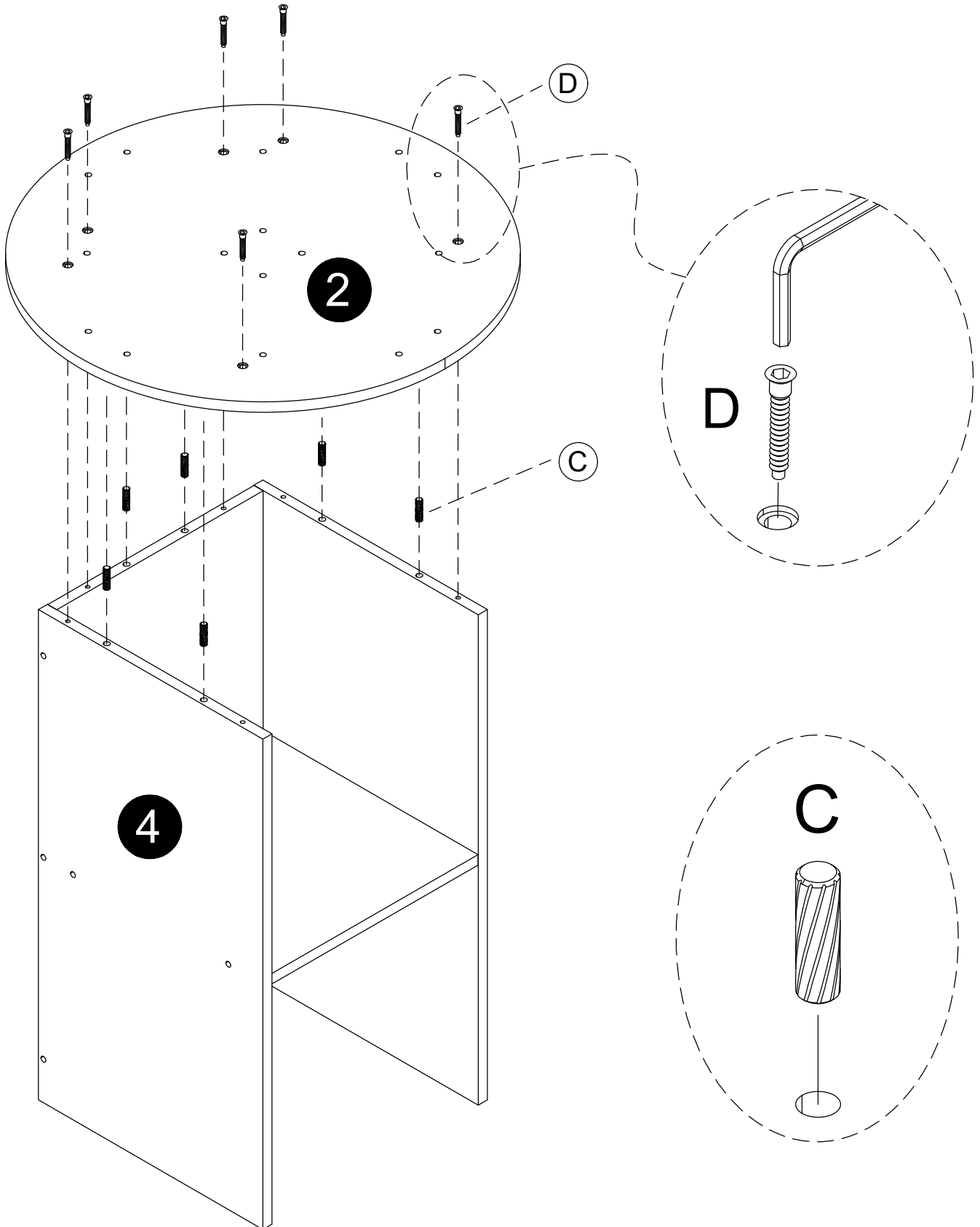


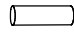
(C)		Φ8*30mm	4pcs
(D)		M7*38mm	5pcs
(K)		M4	1pc



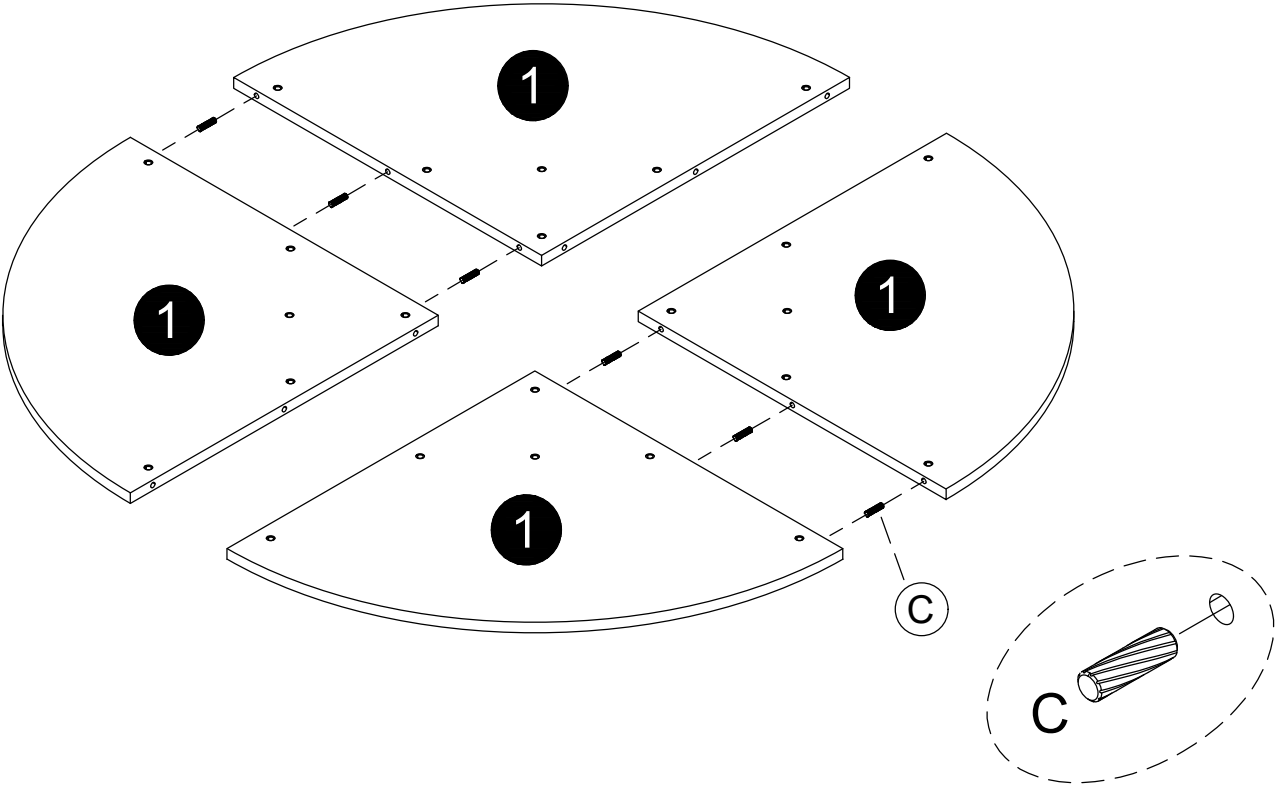
Step 5

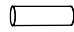
(C)		Φ8*30mm	6pcs
(D)		M7*38mm	6pcs
(K)		M4	1pc



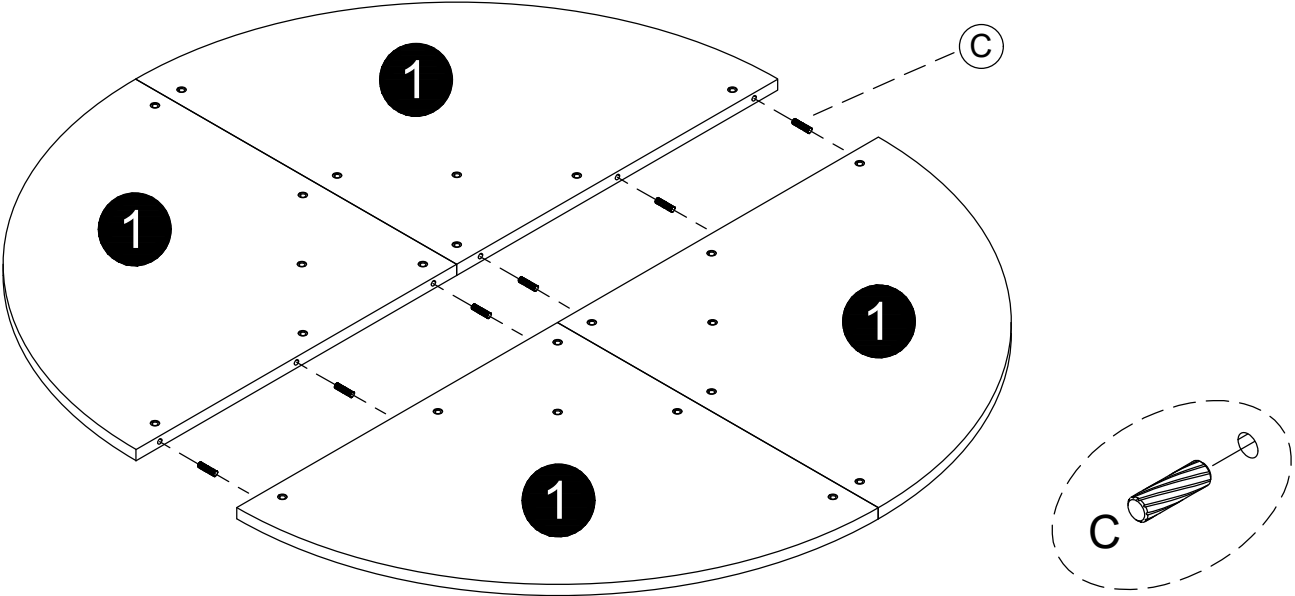
(C)		Φ8*30mm	6pcs
-----	--	---------	------

Step 6





(C)		Φ8*30mm	6pcs
-----	---	---------	------

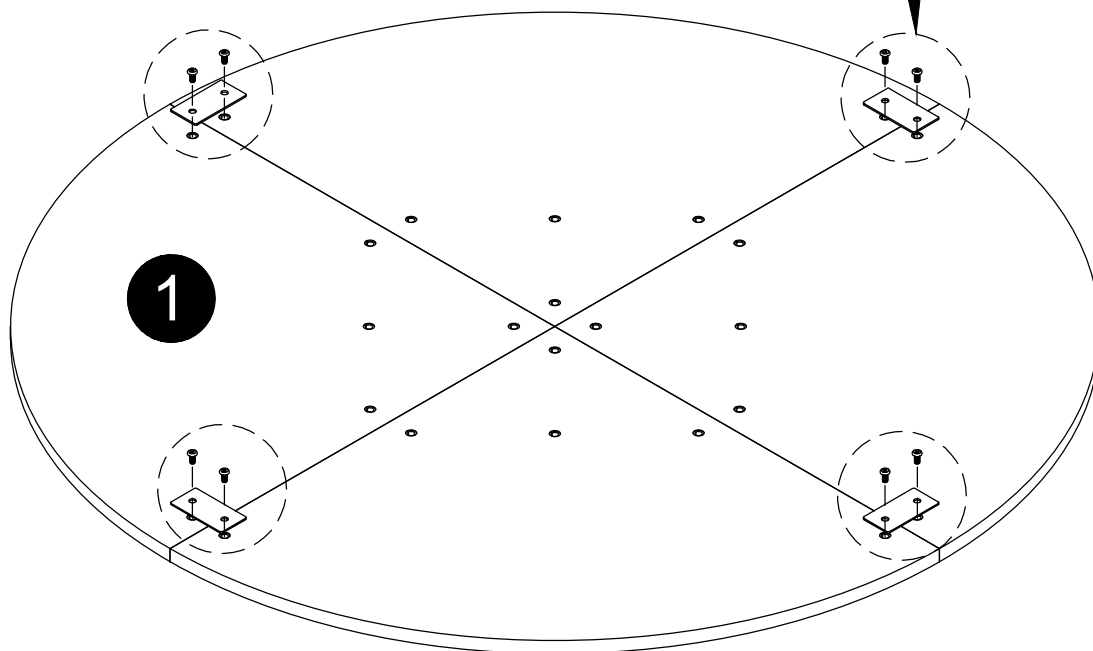
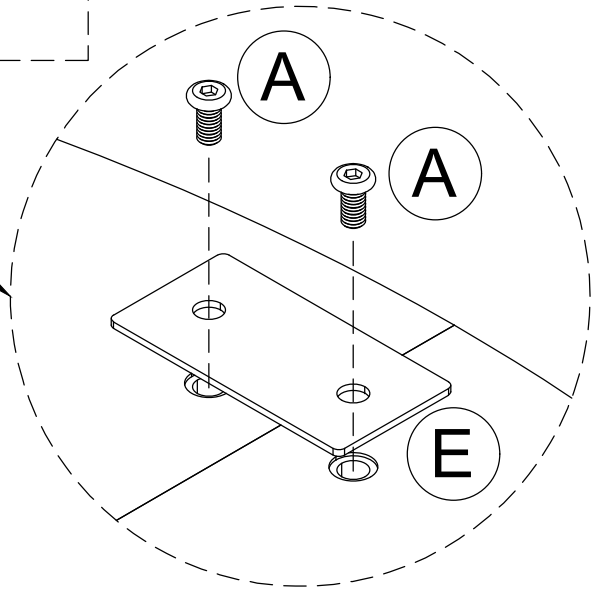
Step 7





Step 8

E		4pcs
A	 M6x12mm	8pcs

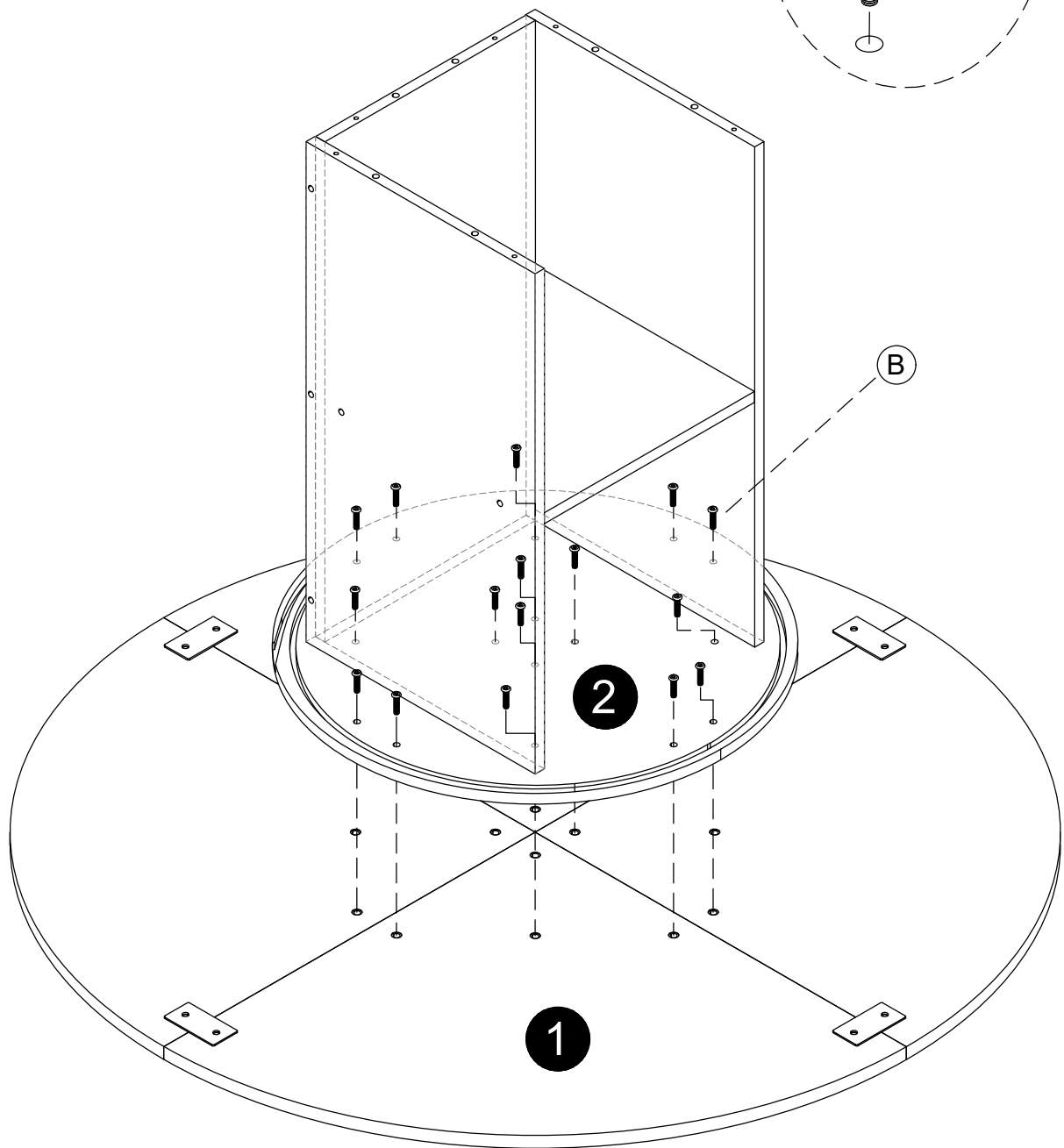
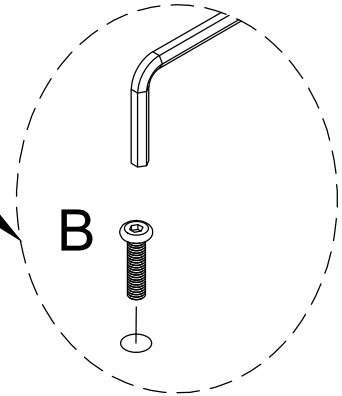
Notice: The length of the screw #A is 12mm.



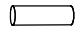


Step 9

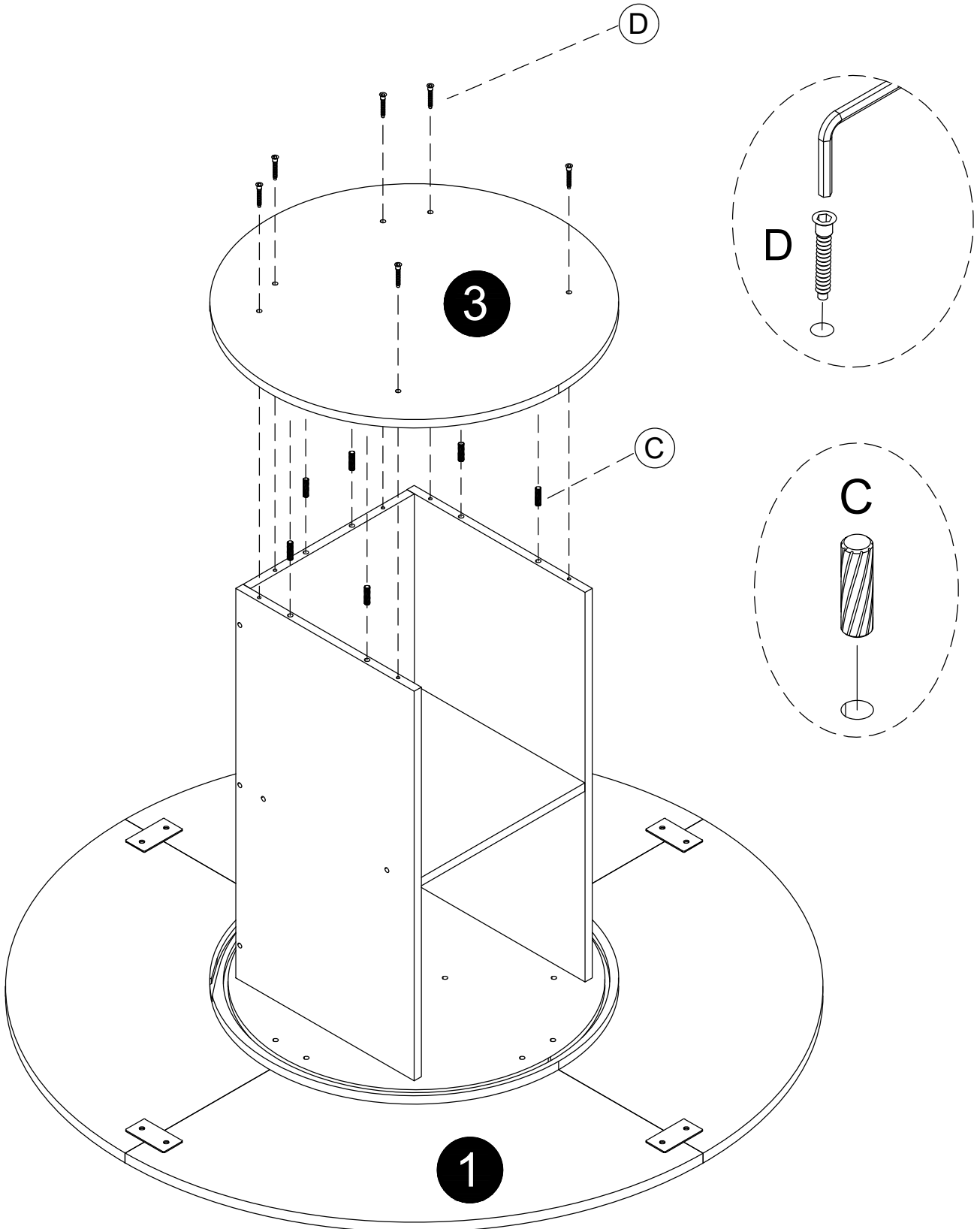
(B)		M6*22mm	16pcs
(K)		M4	1pc

Notice: The length of the screw #B is 22mm.





Step 10

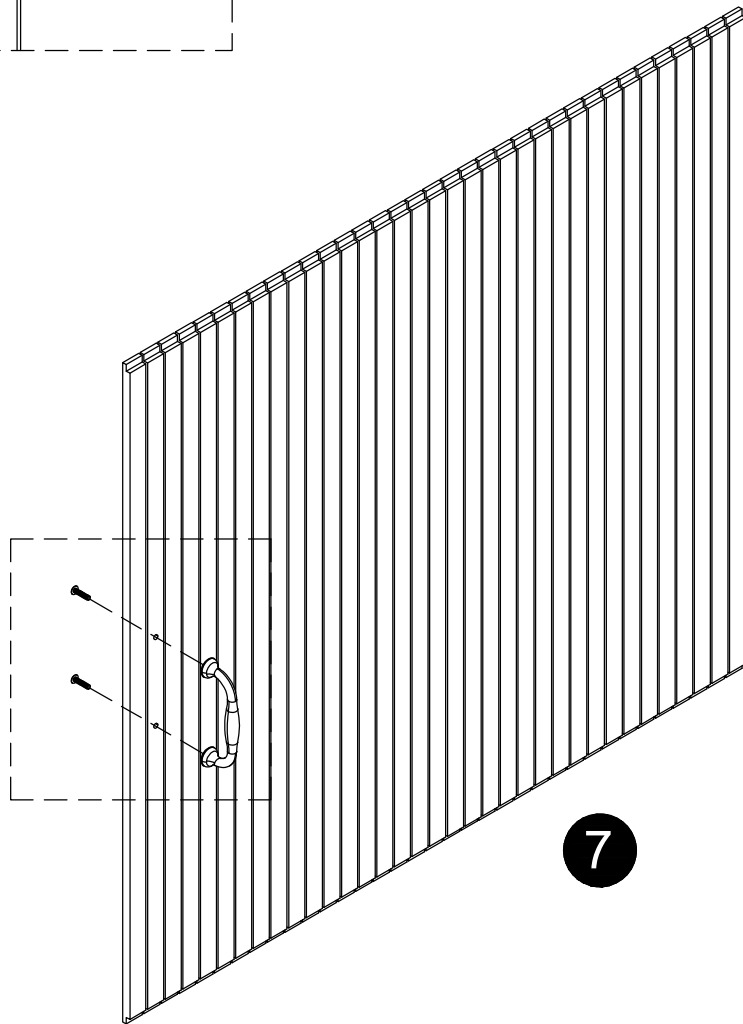
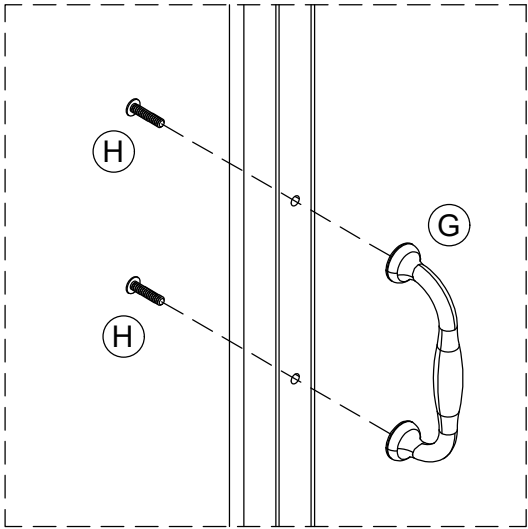
(C)		Φ8*30mm	6pcs
(D)		M7*38mm	6pcs
(K)		M4	1pc



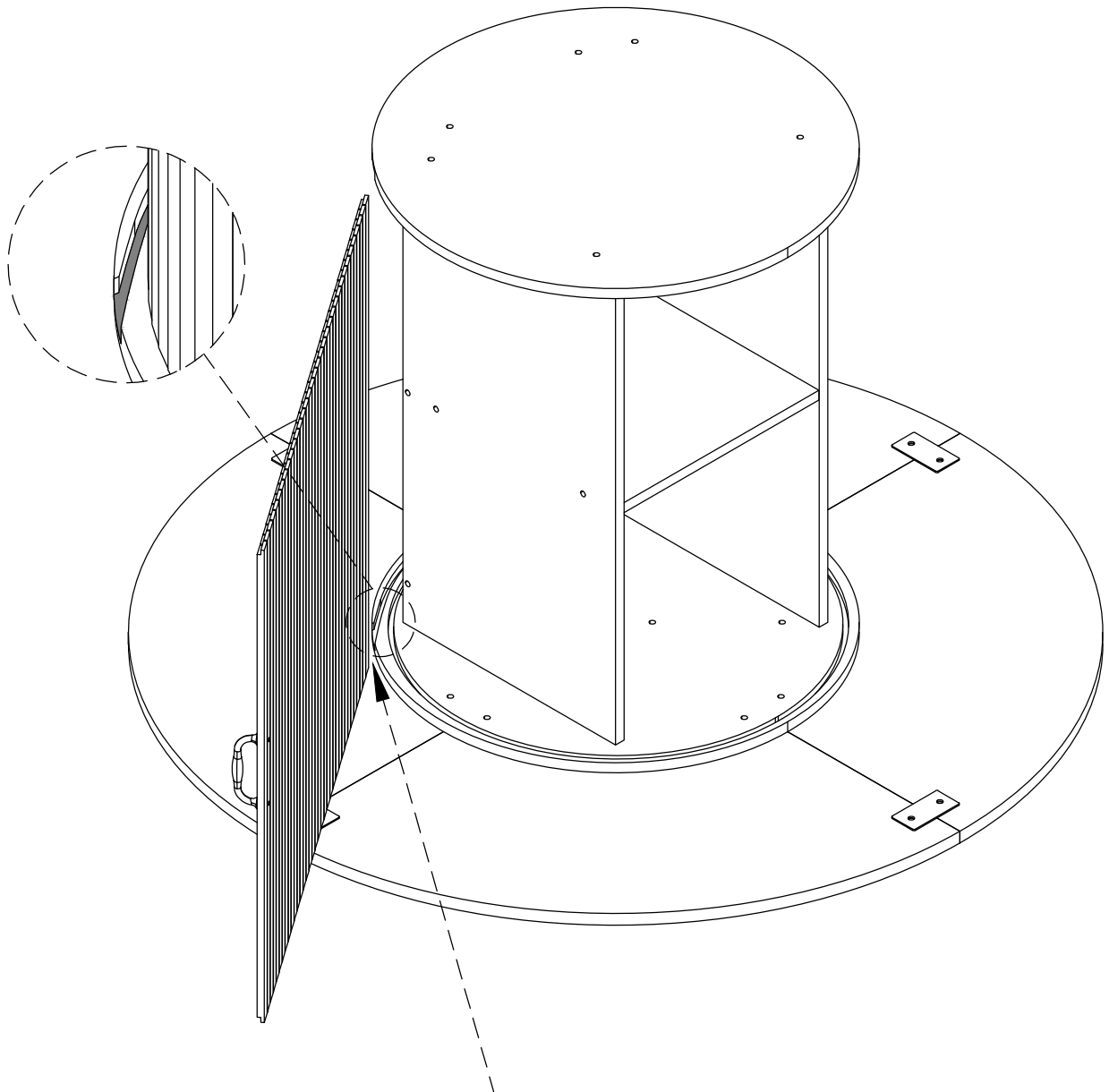
Step 11

x2

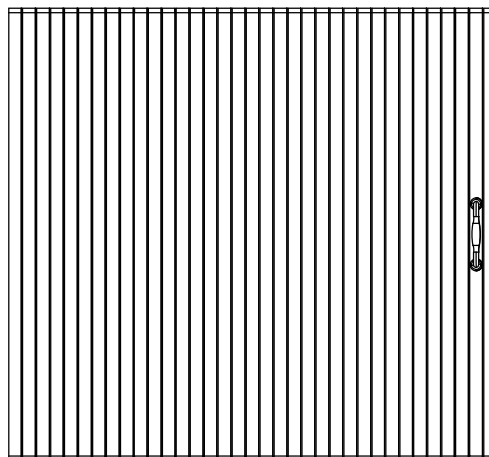
G		2pcs
H	 M4*12mm	4pcs



Step 12

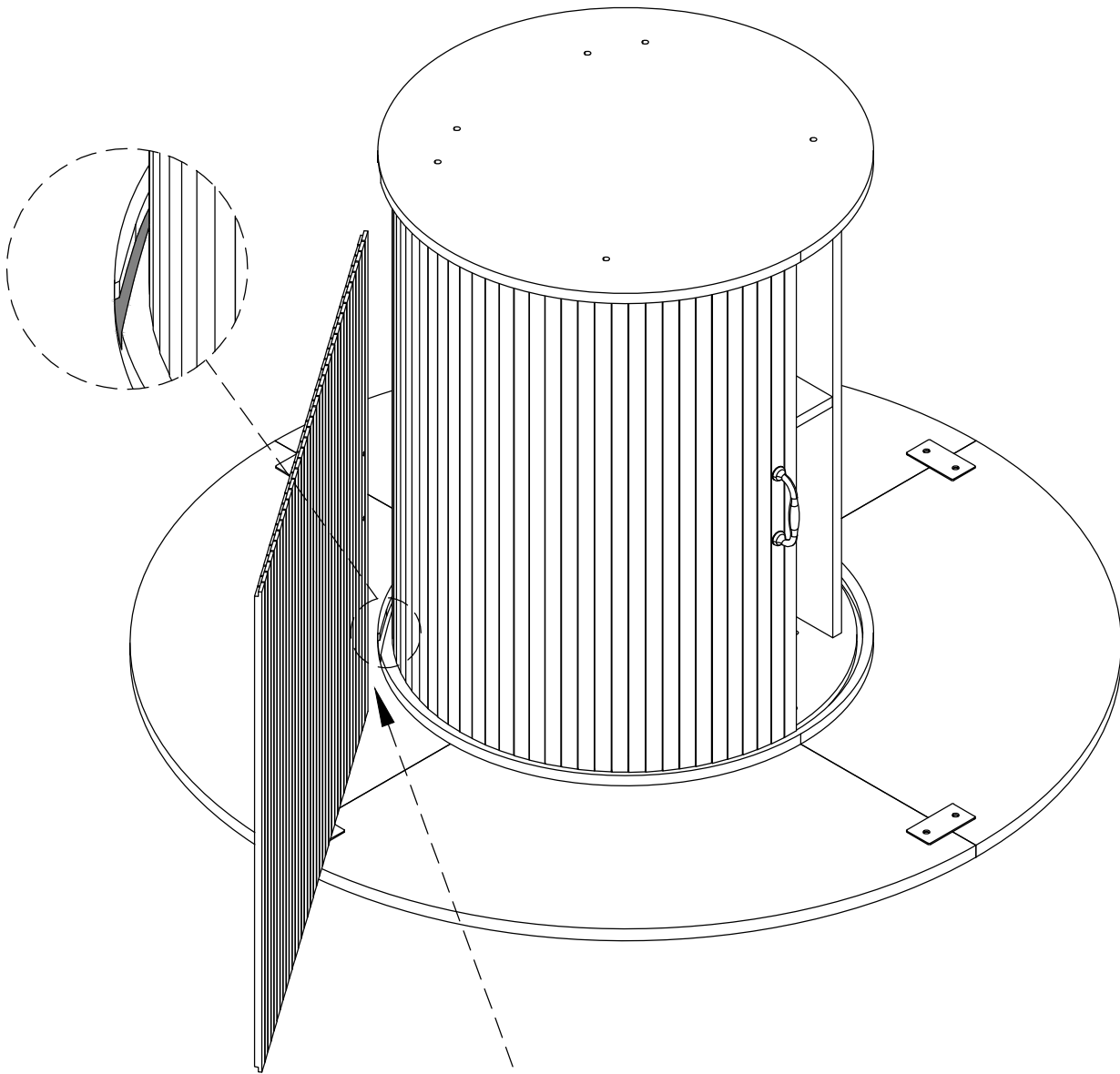


Put in from this side, Notice the direction of the board.

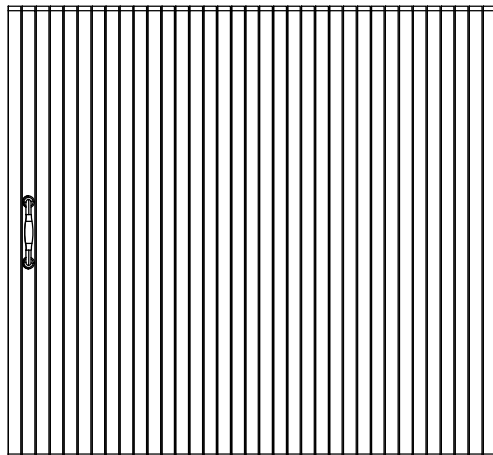


7

Step 13



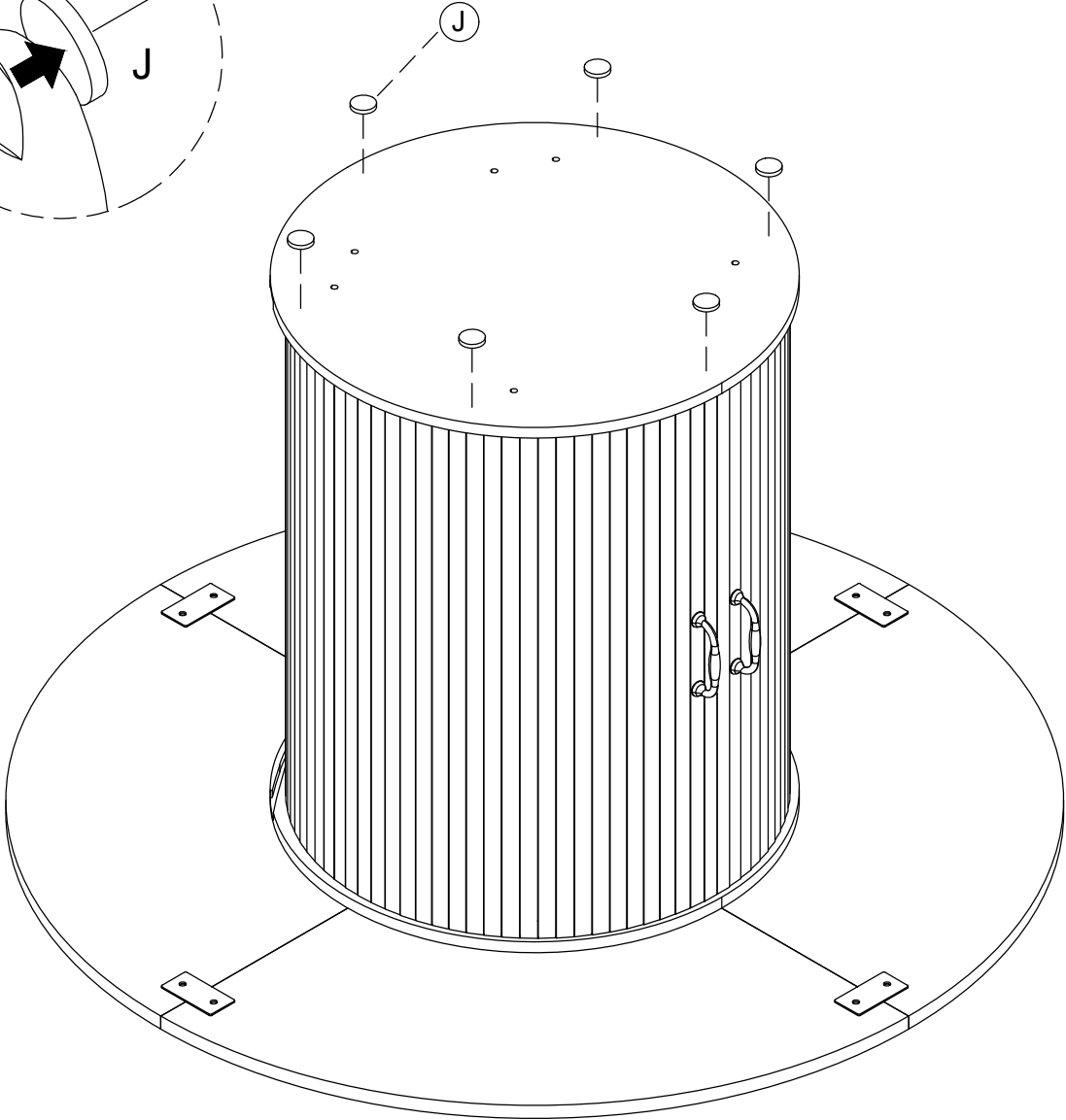
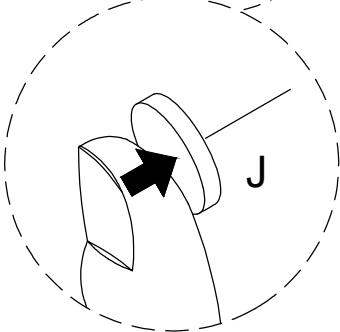
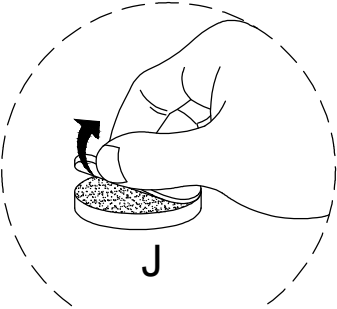
Put in from this side, Notice the direction of the board.





7

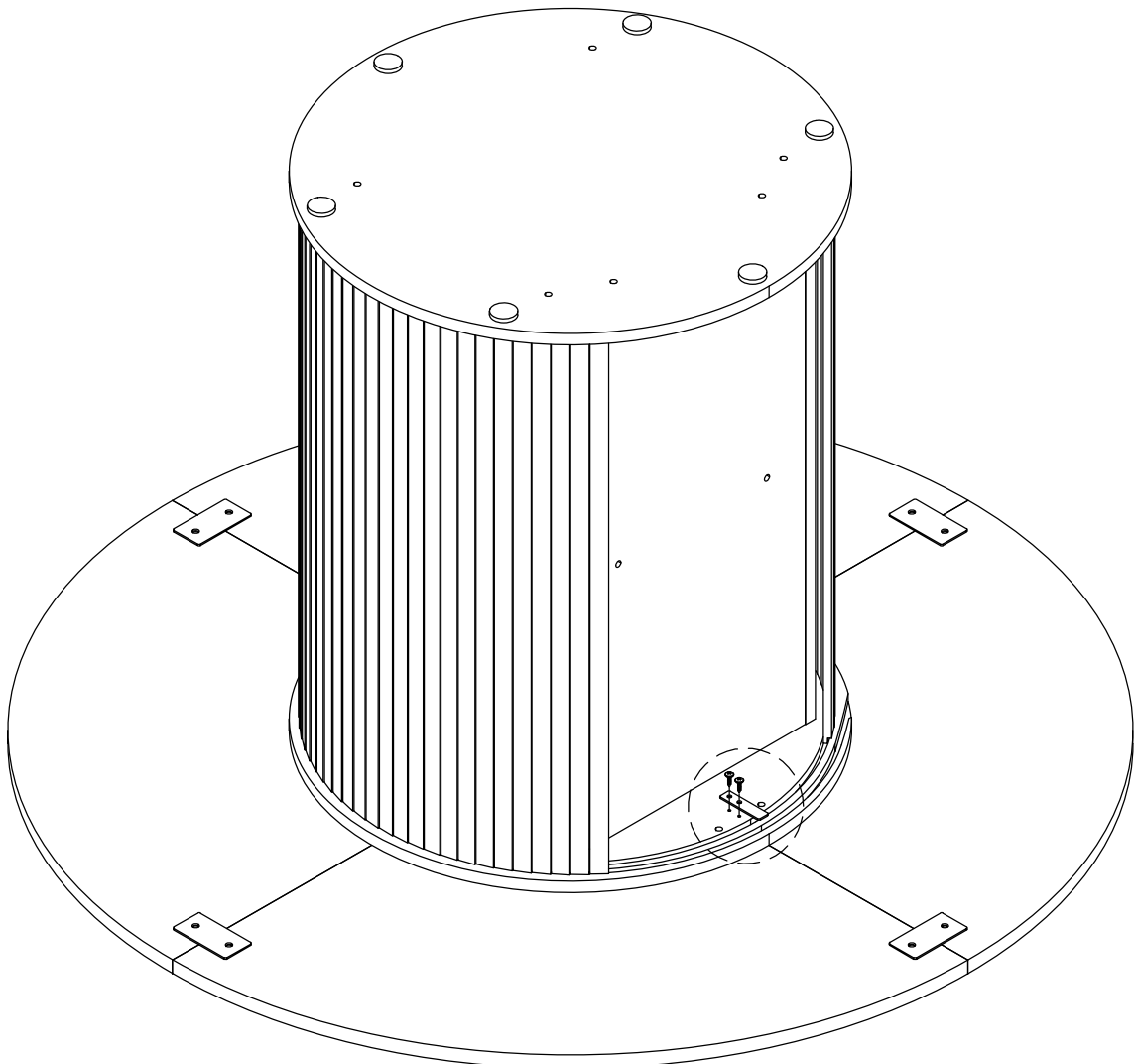
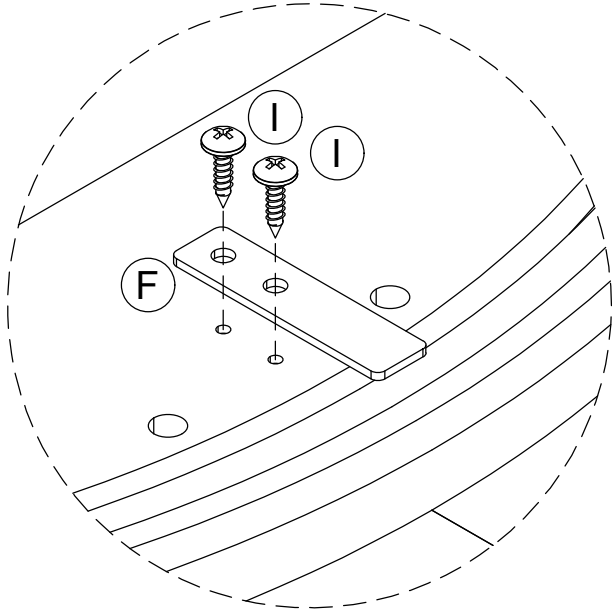


Step 14



Step 15

(F)			1pc
(I)		Ø4*14mm	2pcs



Step 16

