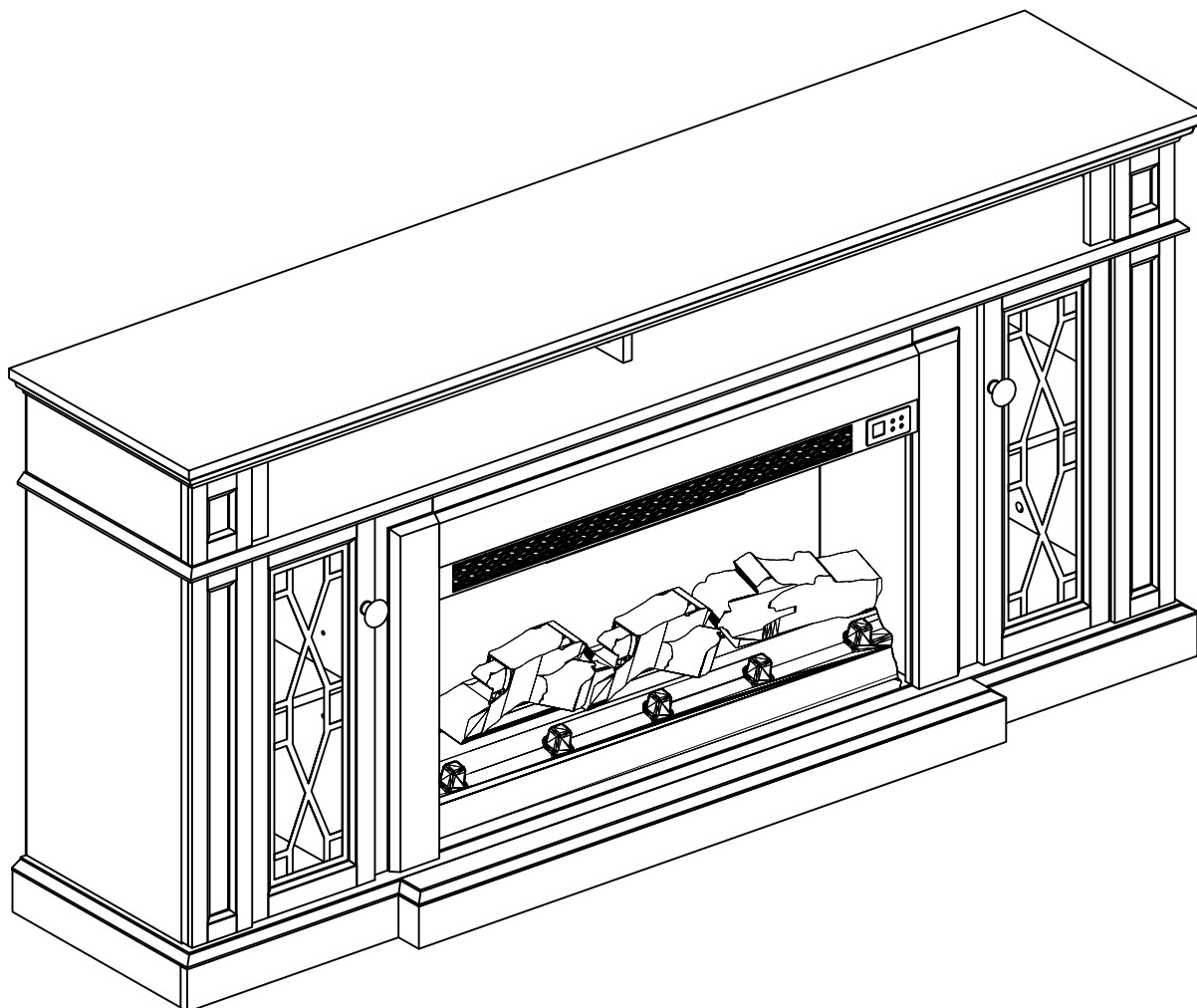


# TV Stand

Assembly Instructions - Please keep for future reference

## **NOTE:**

Comes with TWO PACKAGES with TWO TRACKINGS, may NOT be delivered at the same time.



### Dimensions

Width - 70 inch  
Depth - 17.2inch  
Height - 33.3inch

Important – Please read these instructions fully before starting assembly



# Safety and Care Advice

## Important – Please read these instructions fully before starting assembly

- Check you have all the components and tools listed on the following pages.

- Remove all fittings from the plastic bags and separate them into their groups.

- Keep children and animals away from the work area, small parts could choke if swallowed.

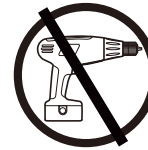
- Make sure you have enough space to layout the parts before starting.

- During assembly do not stand or put weight on the product, this could cause damage.

- Assemble the item as close to its final position (in the same room) as possible.

- Assemble on a soft level surface to avoid damaging the unit or your floor.

- Parts of the assembly will be easier with 2 people.



power drill is set on a low torque setting.

- To reduce the likelihood of damaging your product please ensure that your

## Care and maintenance

- Only clean using a damp cloth and mild detergent, do not use bleach or abrasive cleaners.

- From time to time check that there are no loose screws on this unit.

- This product should not be discarded with household waste. Take to your local authority waste disposal centre.

## Handy Hints

- Assemble all parts and bolts loosely during assembly, only once the product is complete should you fully tighten the bolts

- Regularly check and ensure that all bolts and fittings are tightened properly.

## WARNING

### In order to help prevent overturning please follow these instructions

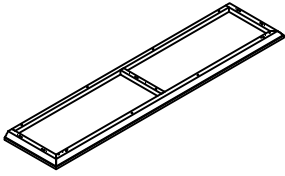
To help prevent product toppling over please follow the steps below:

- Must use the anti tip strap or wall fixing method provided (whichever applies).
- Do not allow children to climb or hang on the furniture.
- Do not place heavy items on top of the furniture, unless the furniture has been designed for this purpose
- Installation shall be carried out exactly according to the instructions- otherwise a safety risk can occur
- In order to prevent falling down this product must be used with the wall attachment device provided.

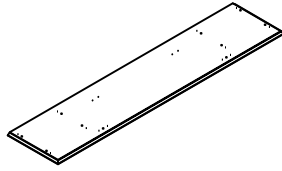
Please note that only the wall attachment device is provided. You will need to supply wall plugs and screws applicable for your wall type.

# Components - Panels

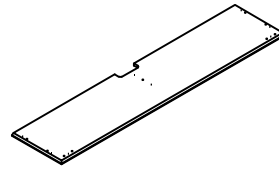
## Part List 1



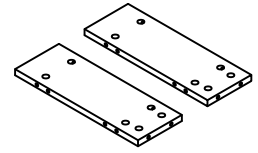
1 1778\*400\*45



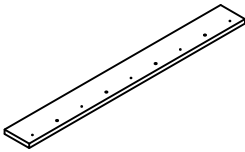
2 1768\*390\*15



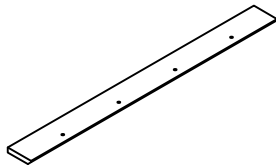
3 1748\*385\*15



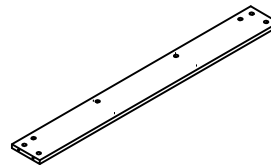
4 123\*345.5\*15



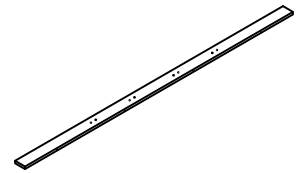
11 840\*95\*15



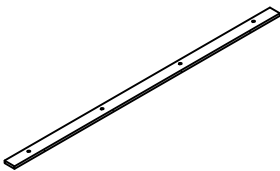
14 840\*79\*15



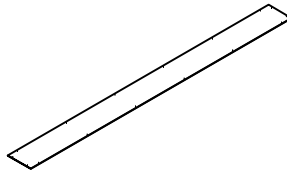
17 840\*79\*15



21 1768\*65\*15



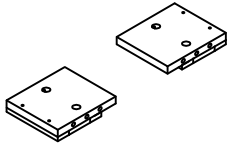
22 1736\*65\*15



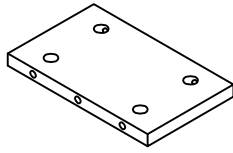
26 1716\*150\*2.7

# Components - Panels

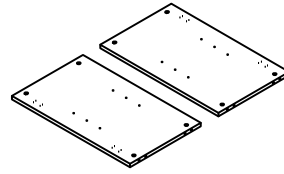
## Part List 2



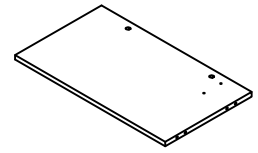
5 123\*140\*24



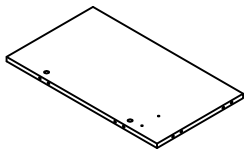
6 123\*200\*15



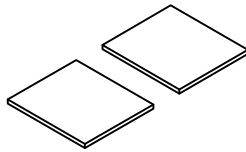
7 575\*345.5\*15



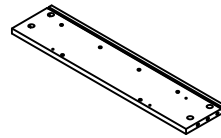
8 575\*330.5\*15



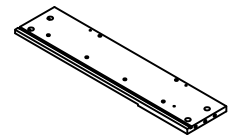
9 575\*330.5\*15



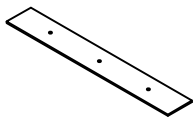
10 287\*323\*15



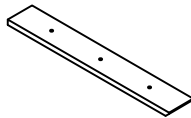
12 575\*131\*15



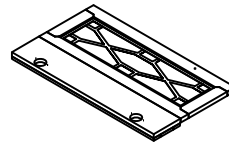
13 575\*131\*15



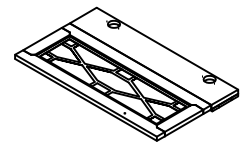
15 527\*79\*15



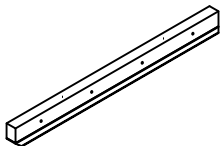
16 527\*79\*15



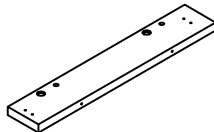
18 569\*327\*24



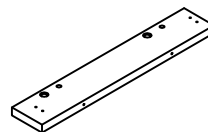
19 569\*327\*24



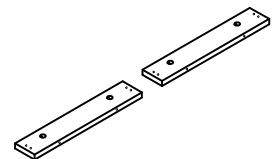
20 1028\*80\*60



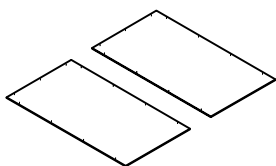
23 375\*65\*15



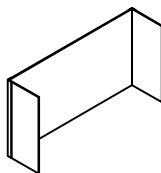
24 375\*65\*15



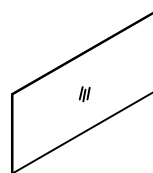
25 360\*65\*15



27 591\*321\*2.7



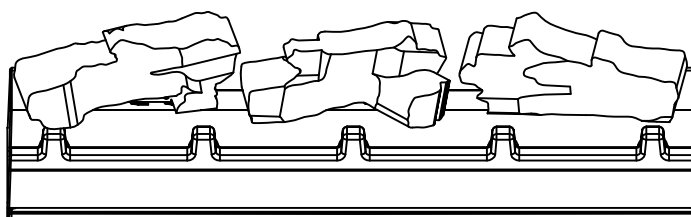
28 1296\*462\*5



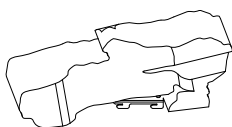
29 850\*398\*3

# Fireplace

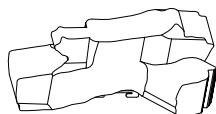
## Part List 2



### CARTON 1 CONTENTS



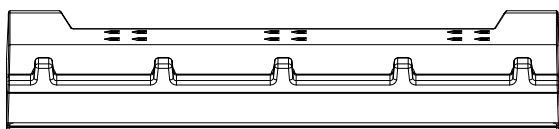
Logset (01) x 1pc



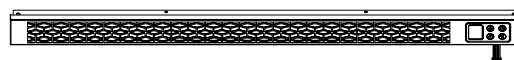
Logset (02) x 1pc



Logset (03) x 1pc

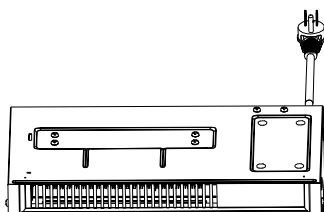


AA x 1pc



BB x 1pc

### CARTON 2 CONTENTS



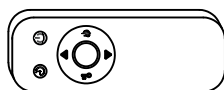
CC x 1pc



DD x 2pcs



EE x 1pc



Remote control x 1pc



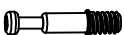





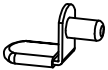
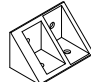

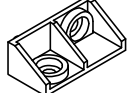





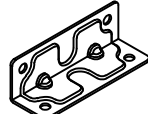





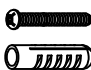
Plastic cable tie x 1pc

# Components - Fittings

## Part List 2

Please check you have all the fittings listed below

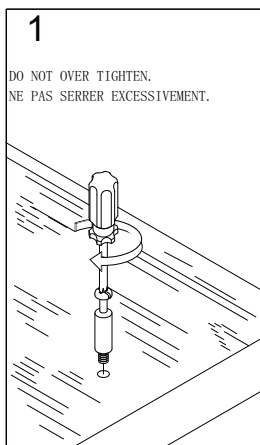
**Note:** The quantities below are the correct amount to complete the assembly. in some cases more fittings maybe supplied than are required.

<p>(A)  77*43mm Cam Bolt x 67+4</p>	<p>(B)  Cam Lock x 67+4</p>	<p>(C)  8*30mm Wooden Dowel x 58+4</p>
<p>(D)  8*20mm Wooden Dowel x 10+1</p>	<p>(E)  3.9*20mm Screw x 17+1</p>	<p>(F)  3.5*14mm Screw x 44+4</p>
<p>(G)  Shelf Pin x 8</p>	<p>(H)  Plastic Connector x 8</p>	<p>(I)  3.9*15mm Screw x 32+3</p>
<p>(J)  Plastic Connector x 9</p>	<p>(K)  Ø1/4"x12mm Screw x 18+1</p>	<p>(L)  Hinge x 4</p>
<p>(M)  3.9*15mm Screw(white) x 24+2</p>	<p>(N)  Beauty patch x 28</p>	<p>(O)  Protective Foot x 18</p>
<p>(P)  Angle iron x 2</p>	<p>(Q)  Ø3.5x15mm Screw x 4</p>	<p>(R)  Handle x 2</p>
<p>(S)  5/32"x16mm Screw x 2</p>	<p>(W)  M5x12mm Screw x 4</p>	<p>(T)  x2</p>
<p>(U)  x2</p>		

# Using Camlocks

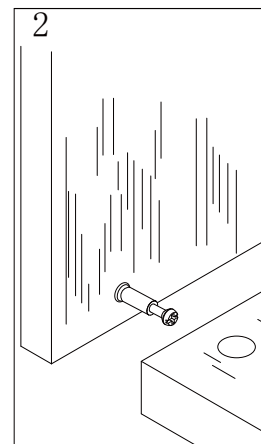
## Step 1

Connect the male camlock as directed in the assembly instructions using a screwdriver.



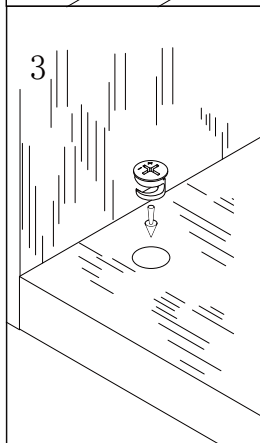
## Step 2

Push the male camlock into the entry hole.



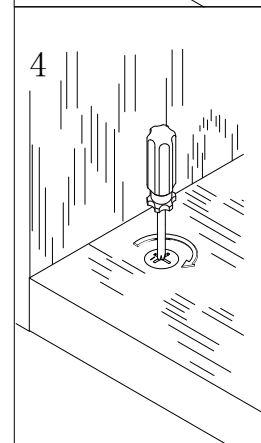
## Step 3

Insert the female camlock as shown in the instructions.  
Note: ensure that the arrow on the top of the camlock points towards the entry hole for the male camlock.

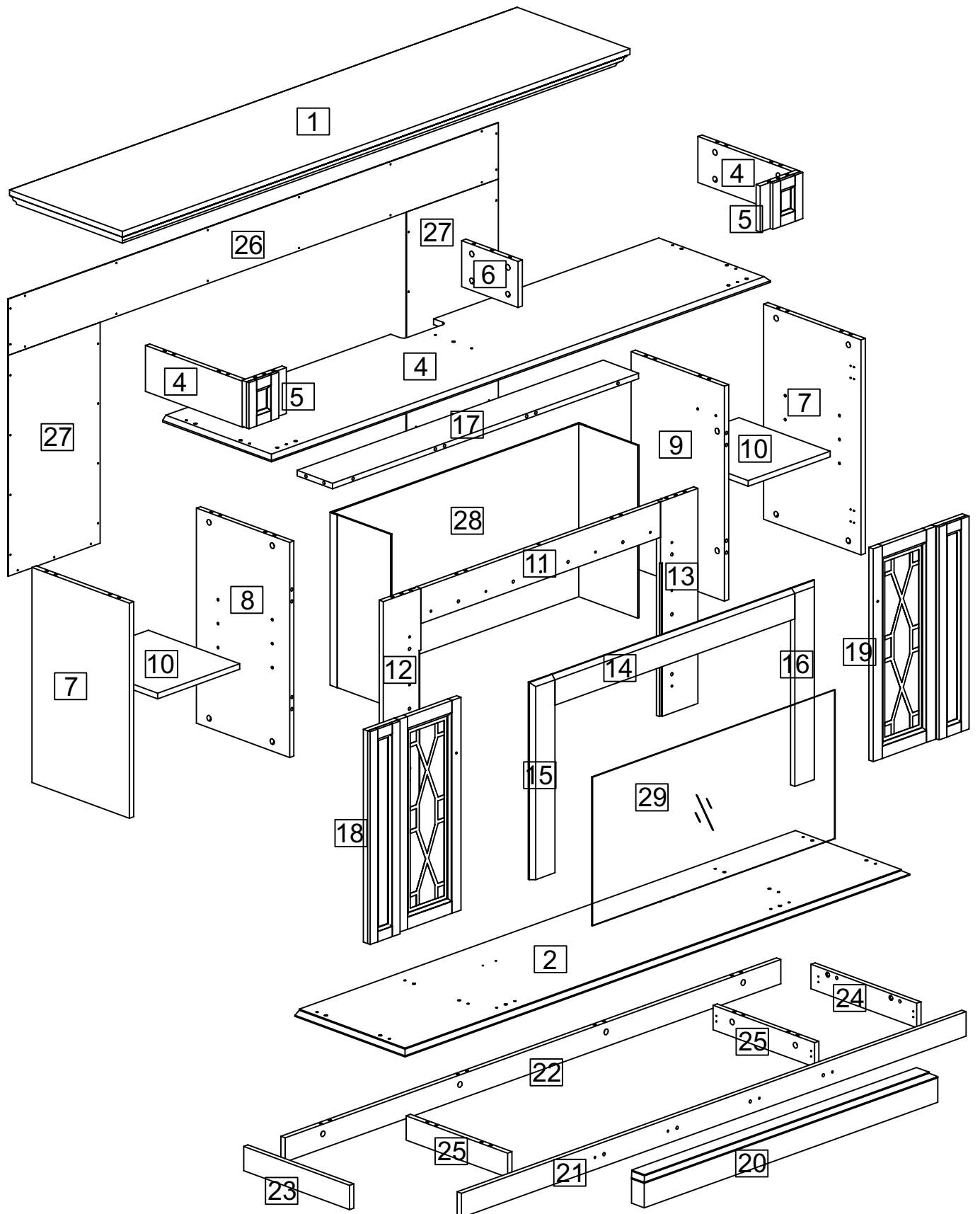


## Step 4

Turn the female camlock clockwise with a screwdriver.  
You should feel a click when the camlock is locked in place.  
The joint is now secure.

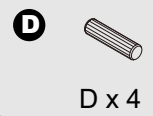
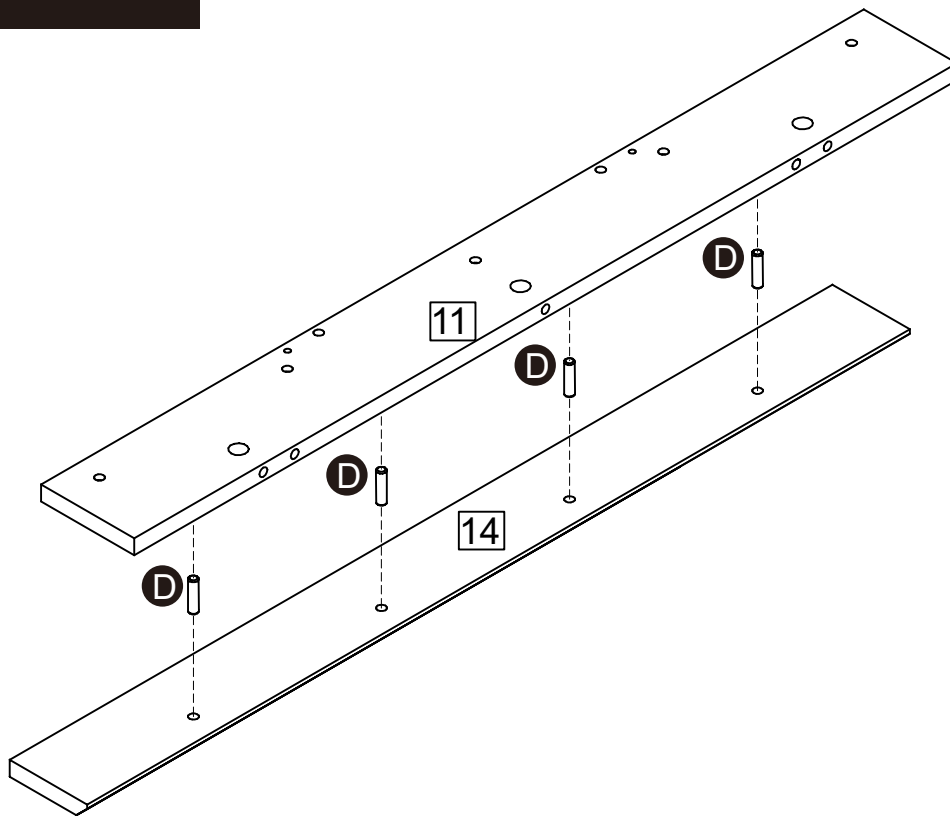


# Assembly Instructions

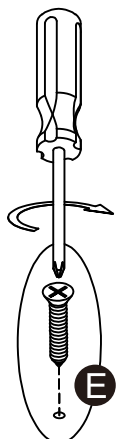
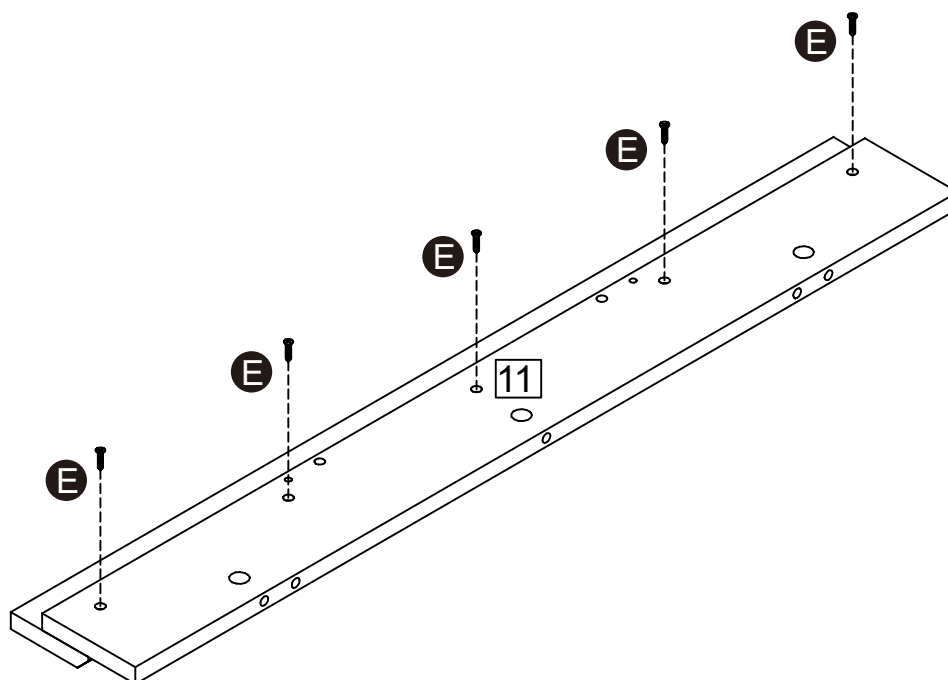


# Assembly Instructions

## Step 1

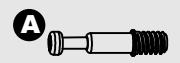
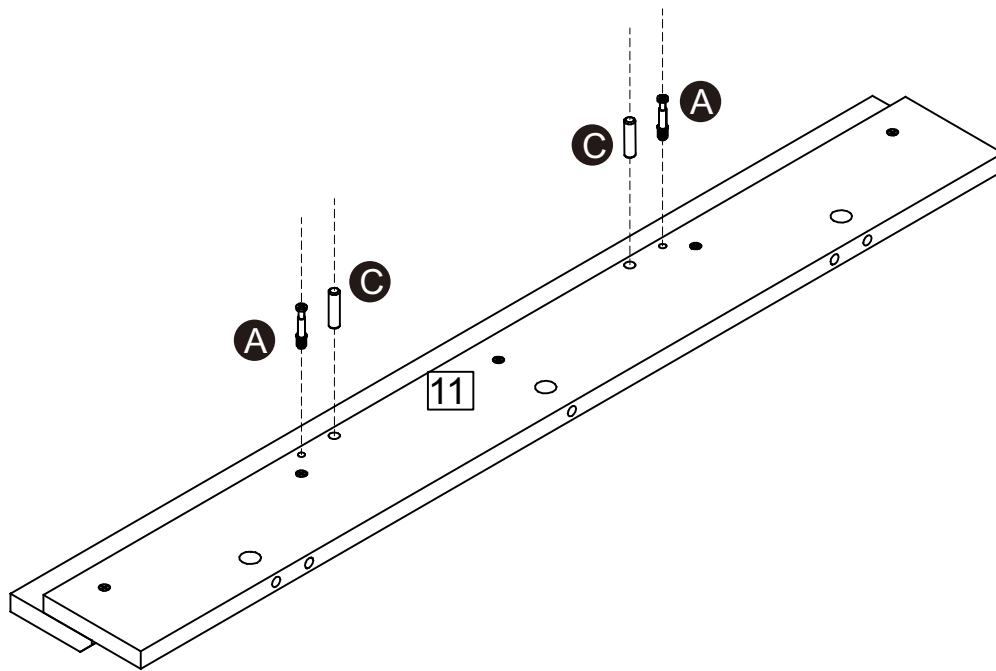


## Step 2



# Assembly Instructions

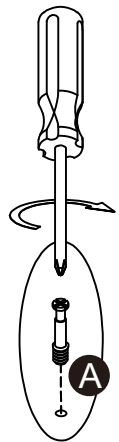
## Step 3



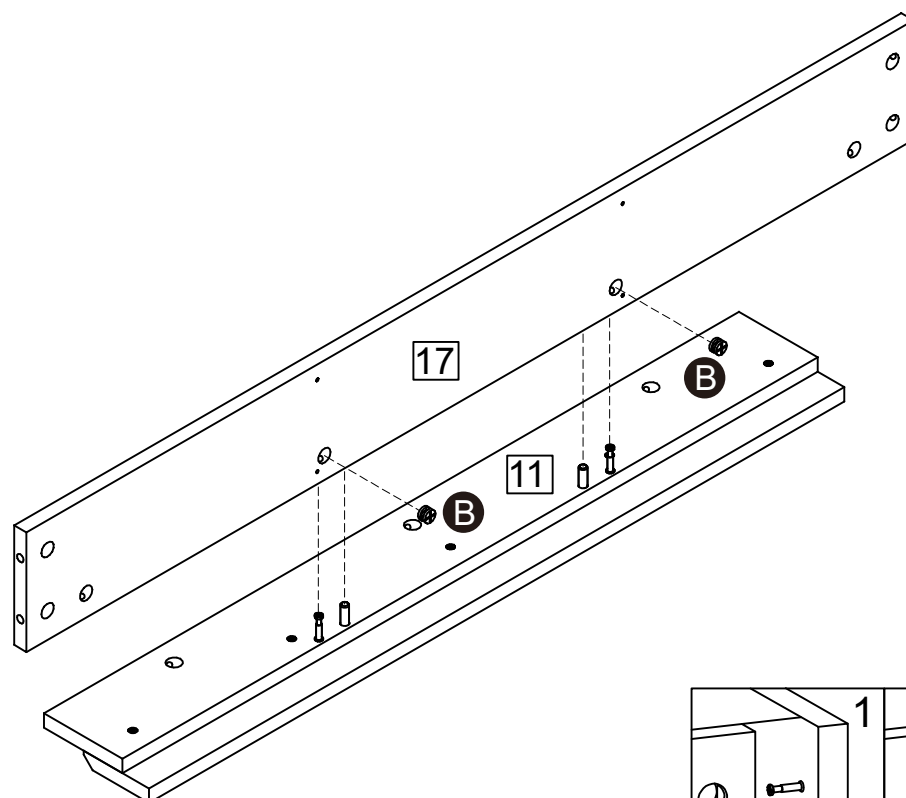
A x 2



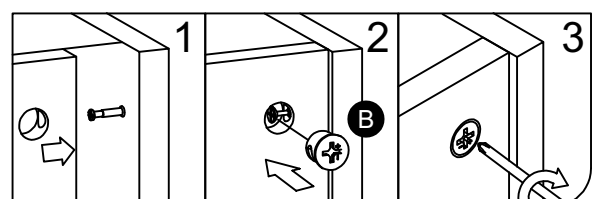
C x 2



## Step 4

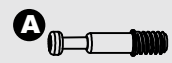
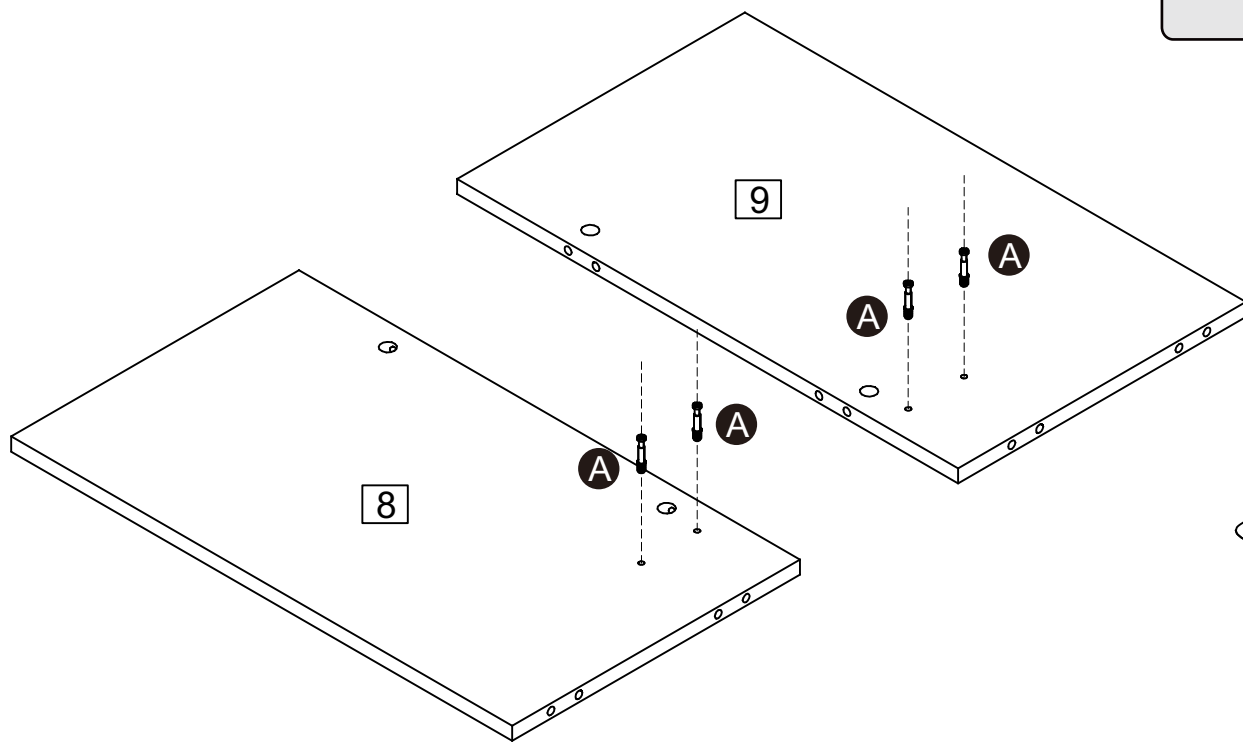


B x 2



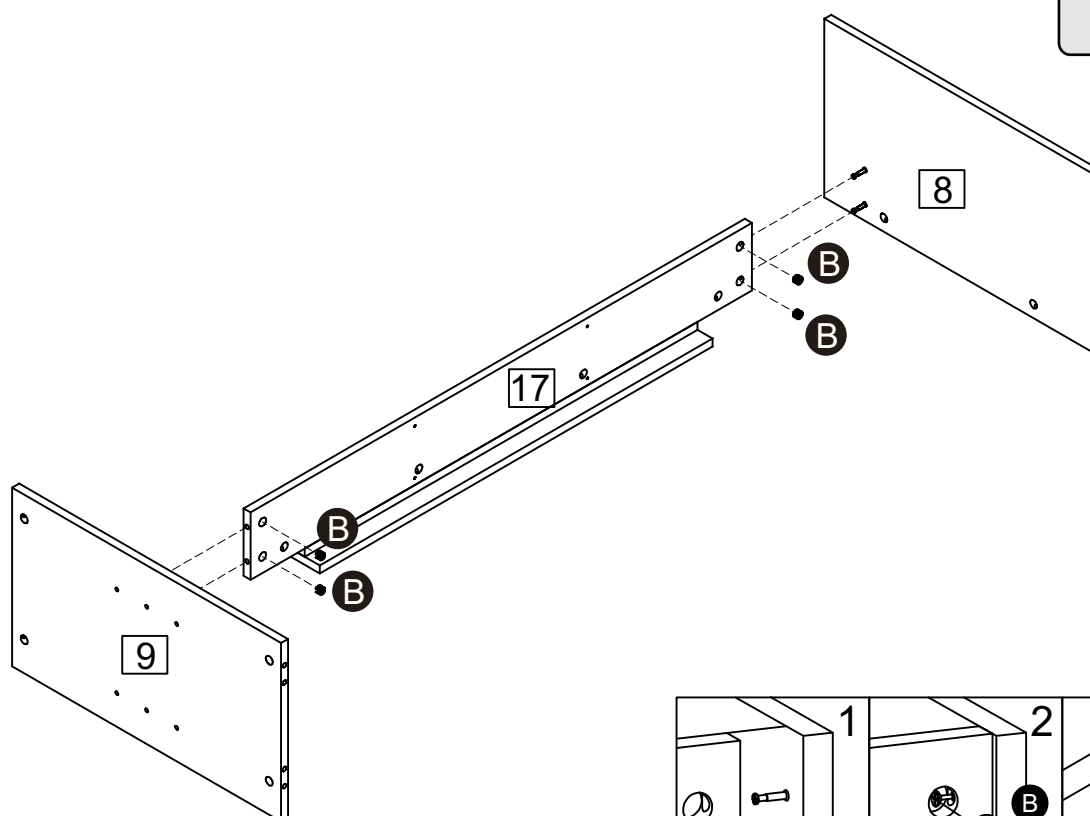
# Assembly Instructions

## Step 5

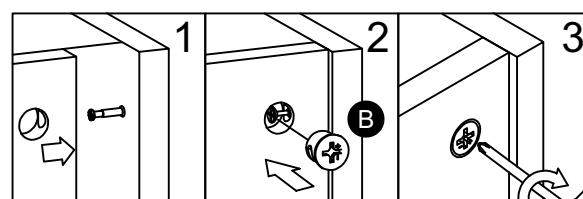


A x 4

## Step 6

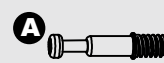
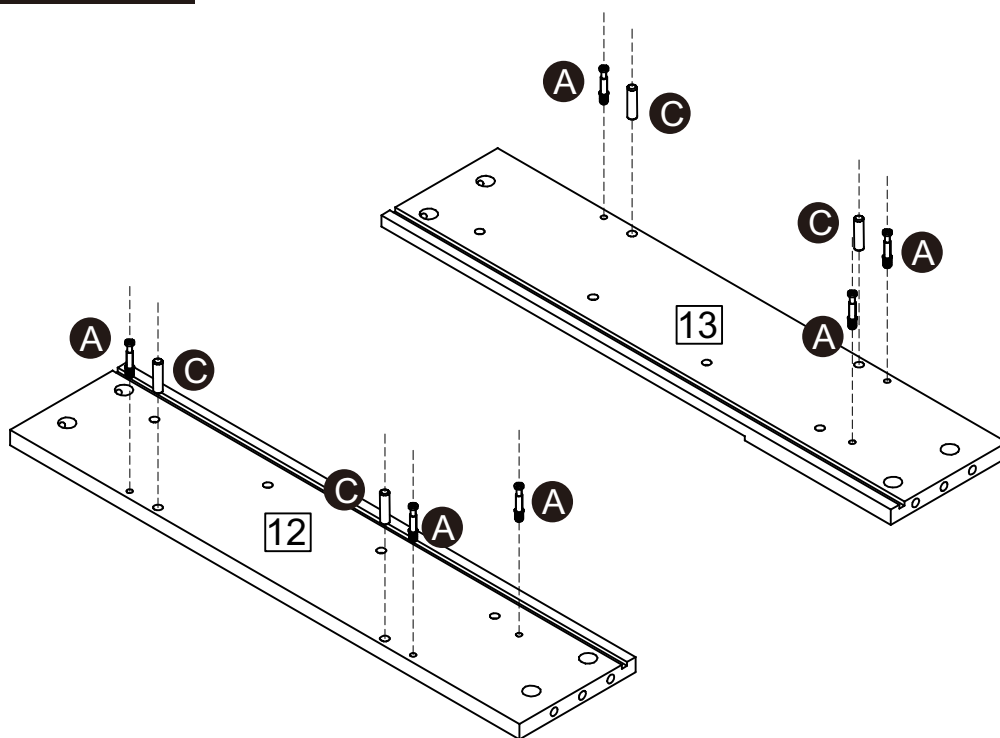


B x 4



# Assembly Instructions

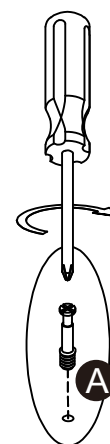
## Step 7



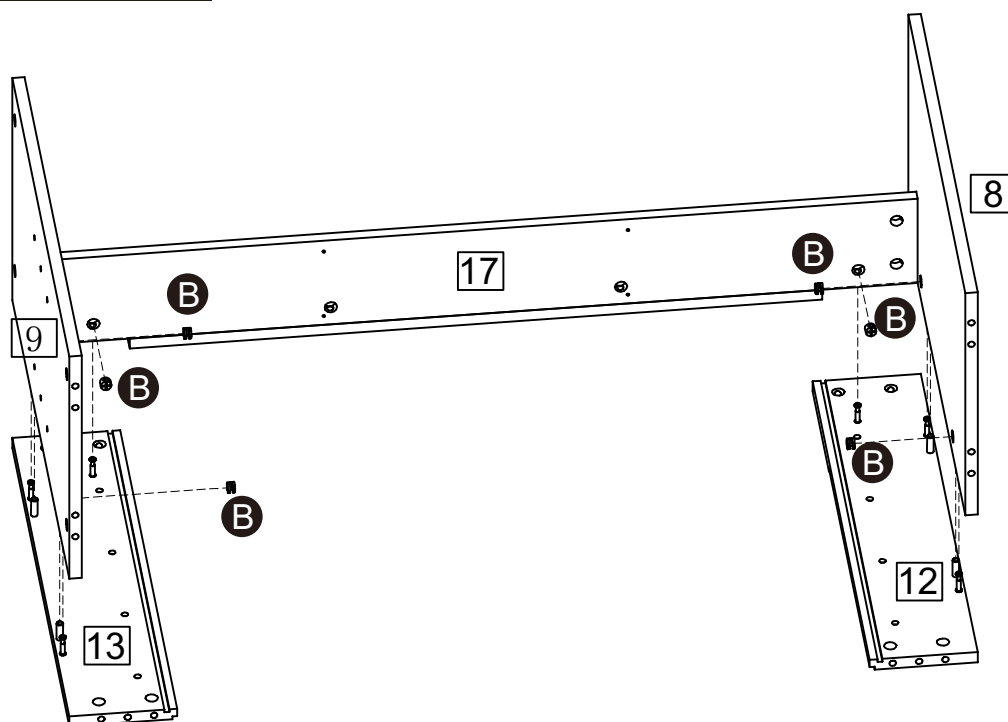
A x 6



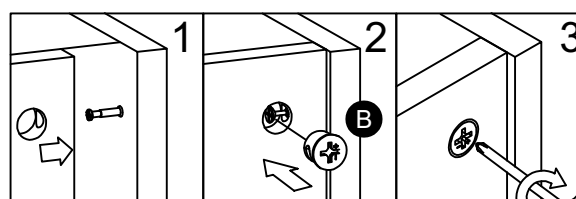
C x 4



## Step 8

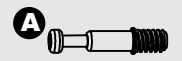
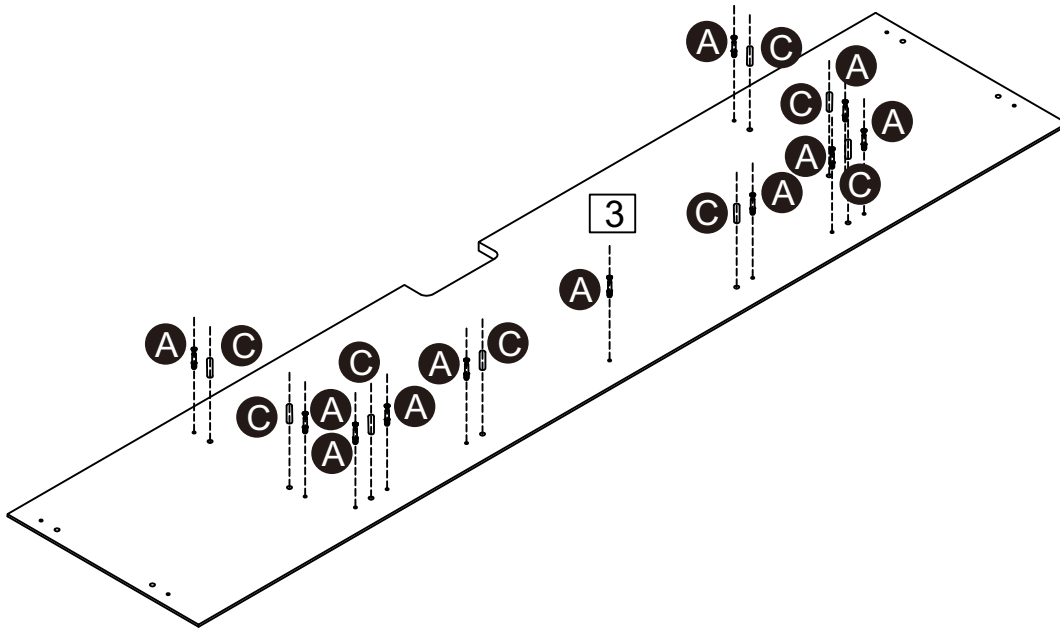


B x 6



# Assembly Instructions

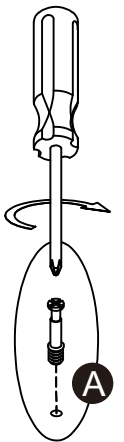
## Step 9



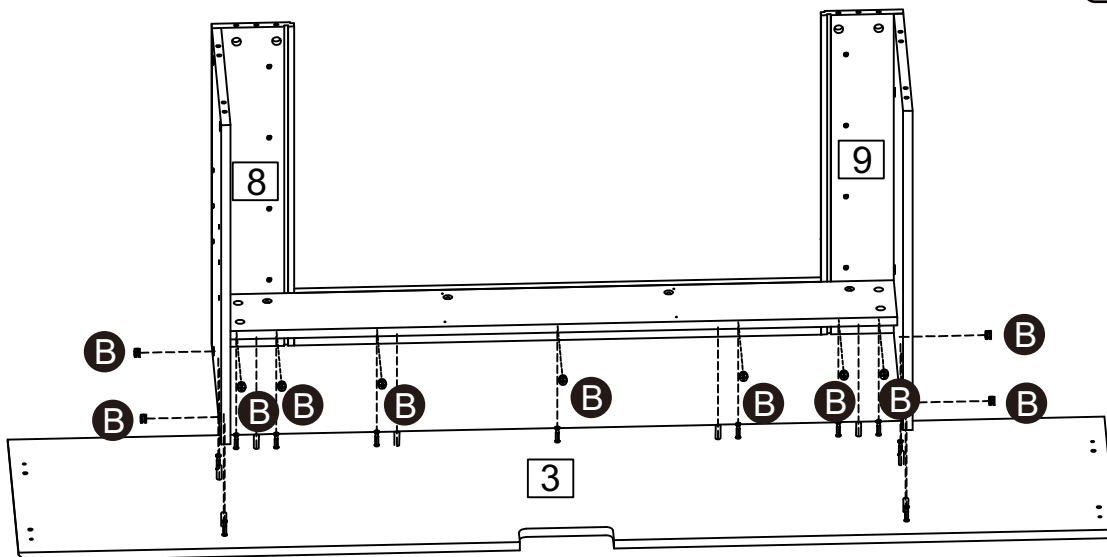
A x 11



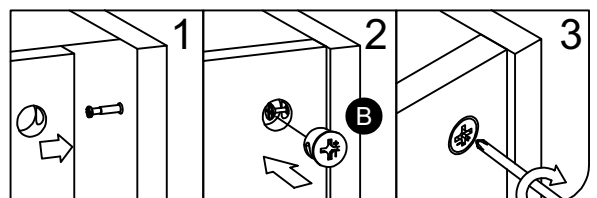
C x 8



## Step 10

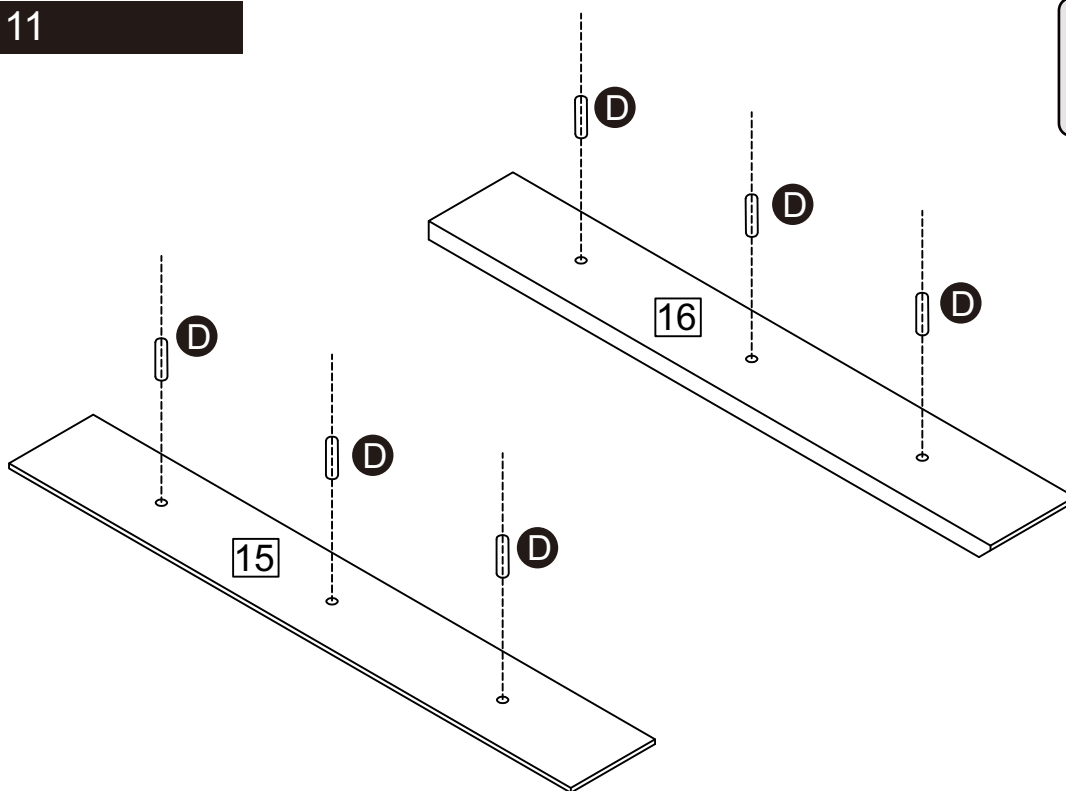


B x 11

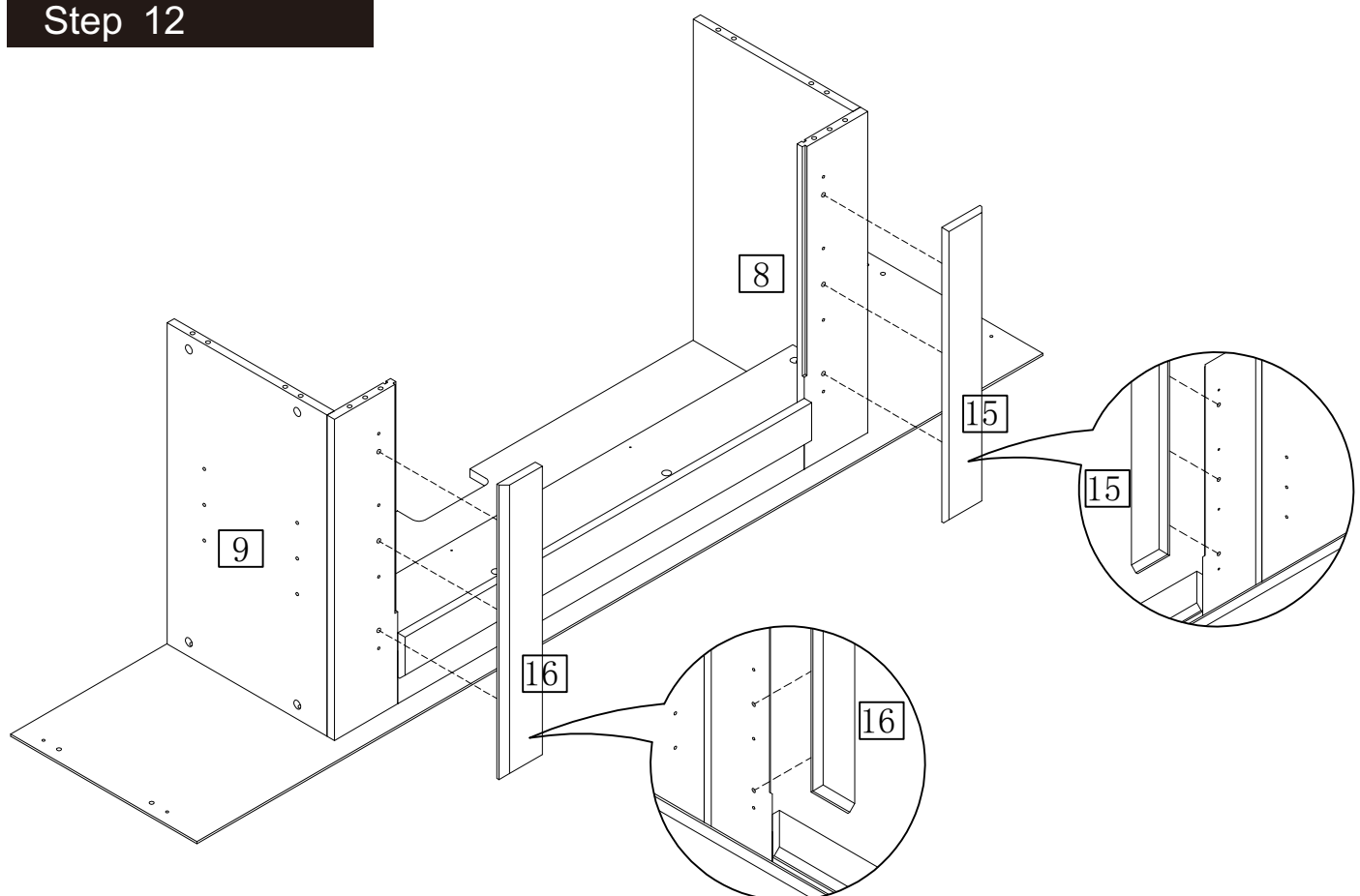


# Assembly Instructions

## Step 11

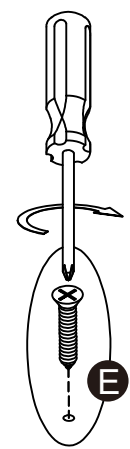
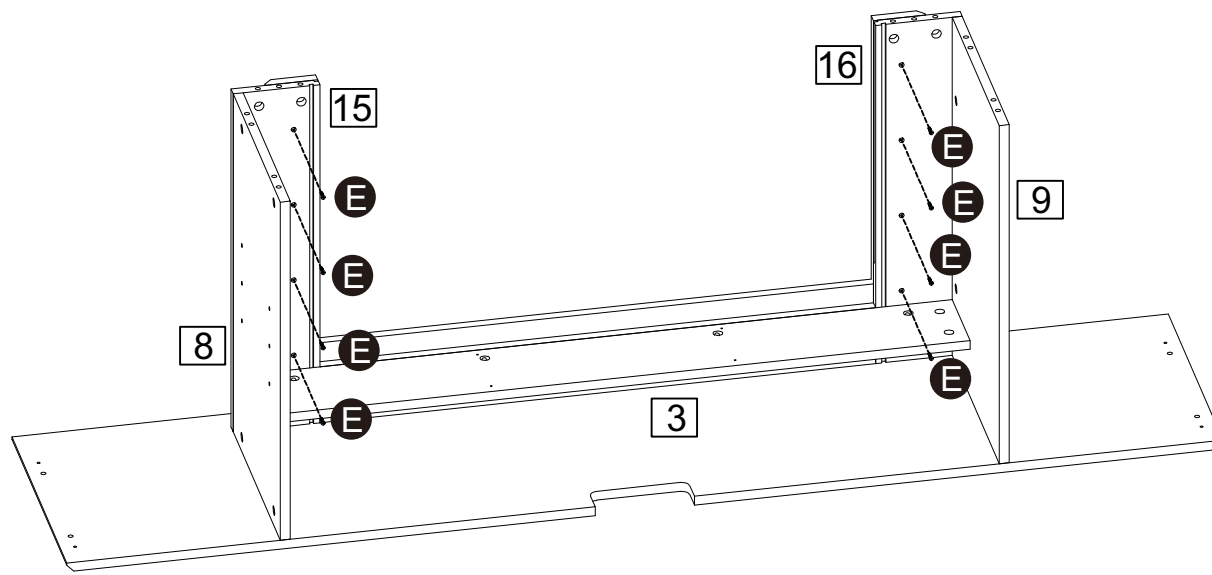
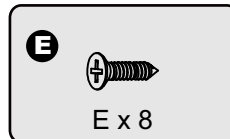


## Step 12

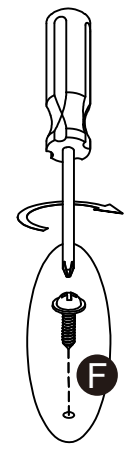
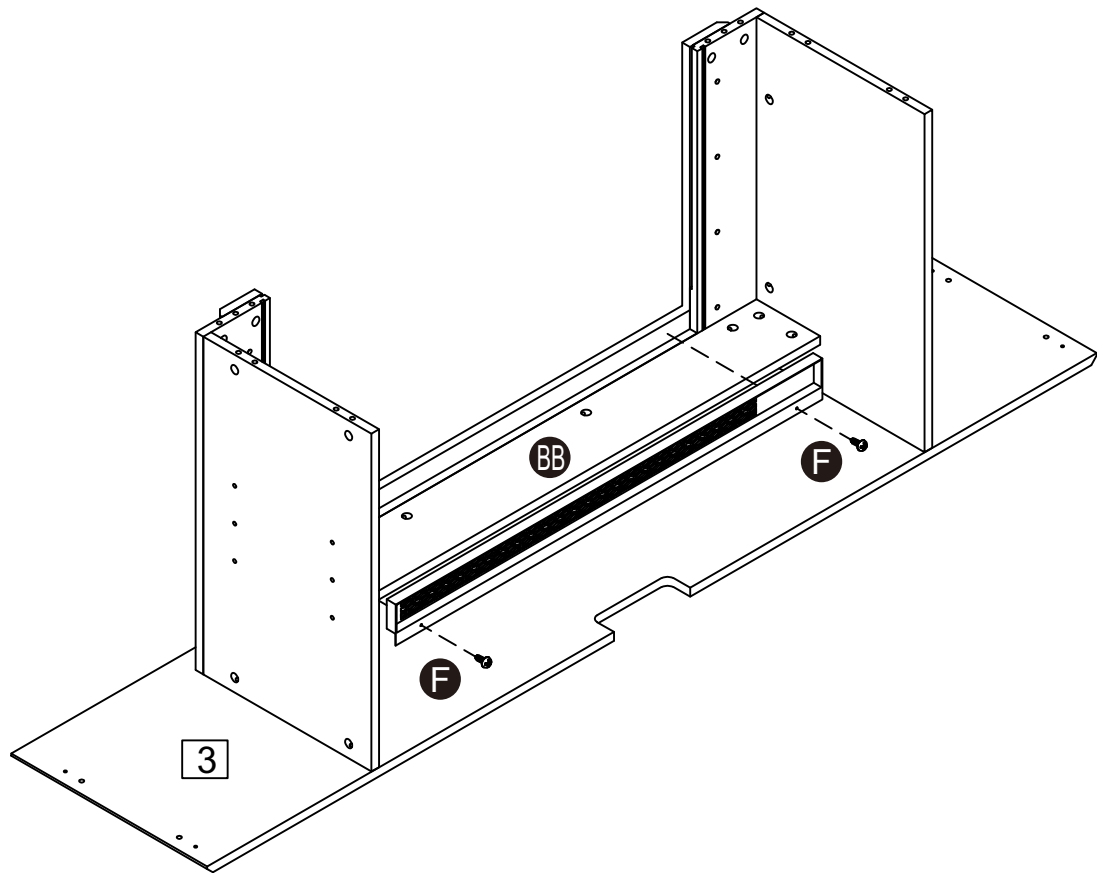
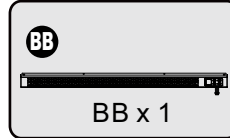
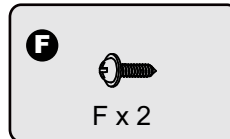


# Assembly Instructions

## Step 13

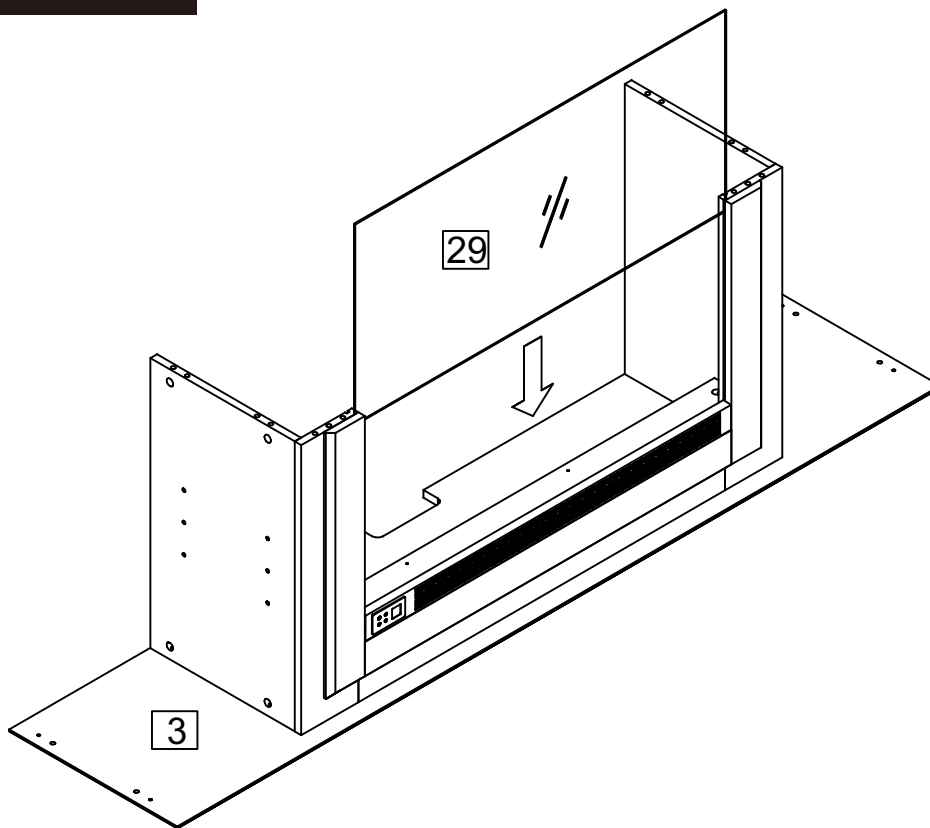


## Step 14

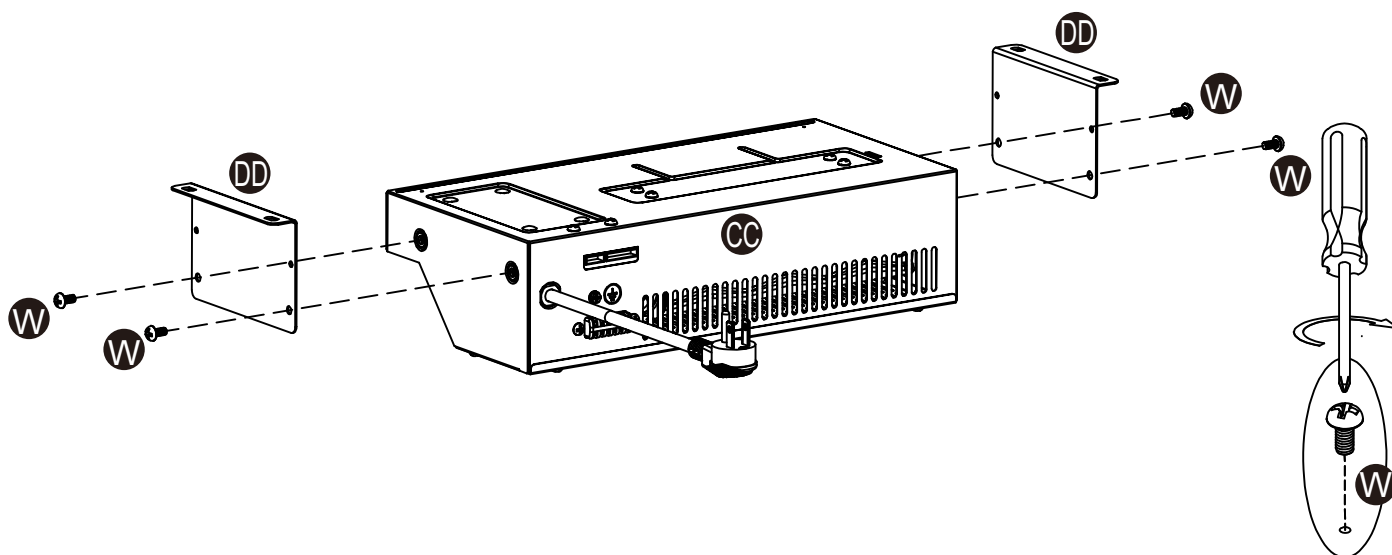
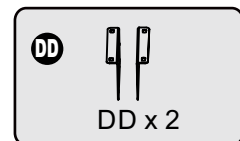
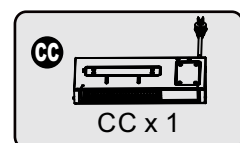
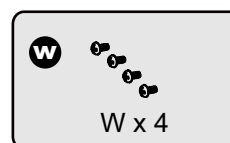


# Assembly Instructions

## Step 15

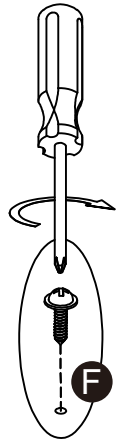
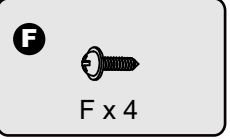
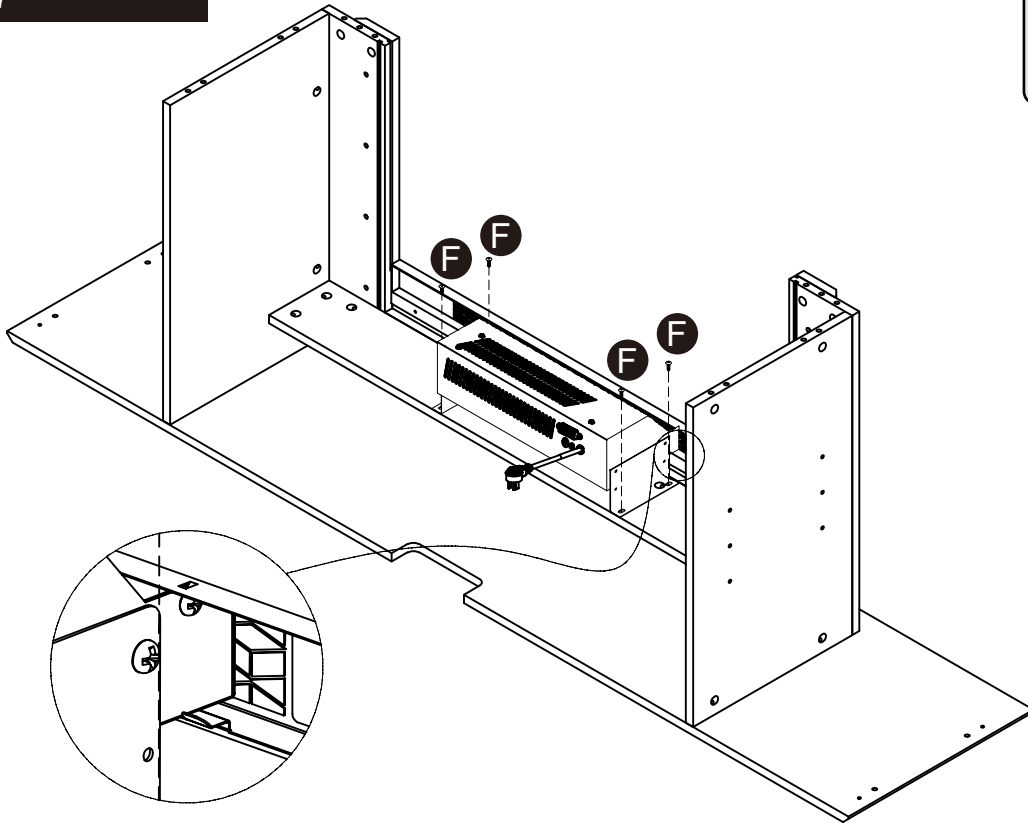


## Step 16

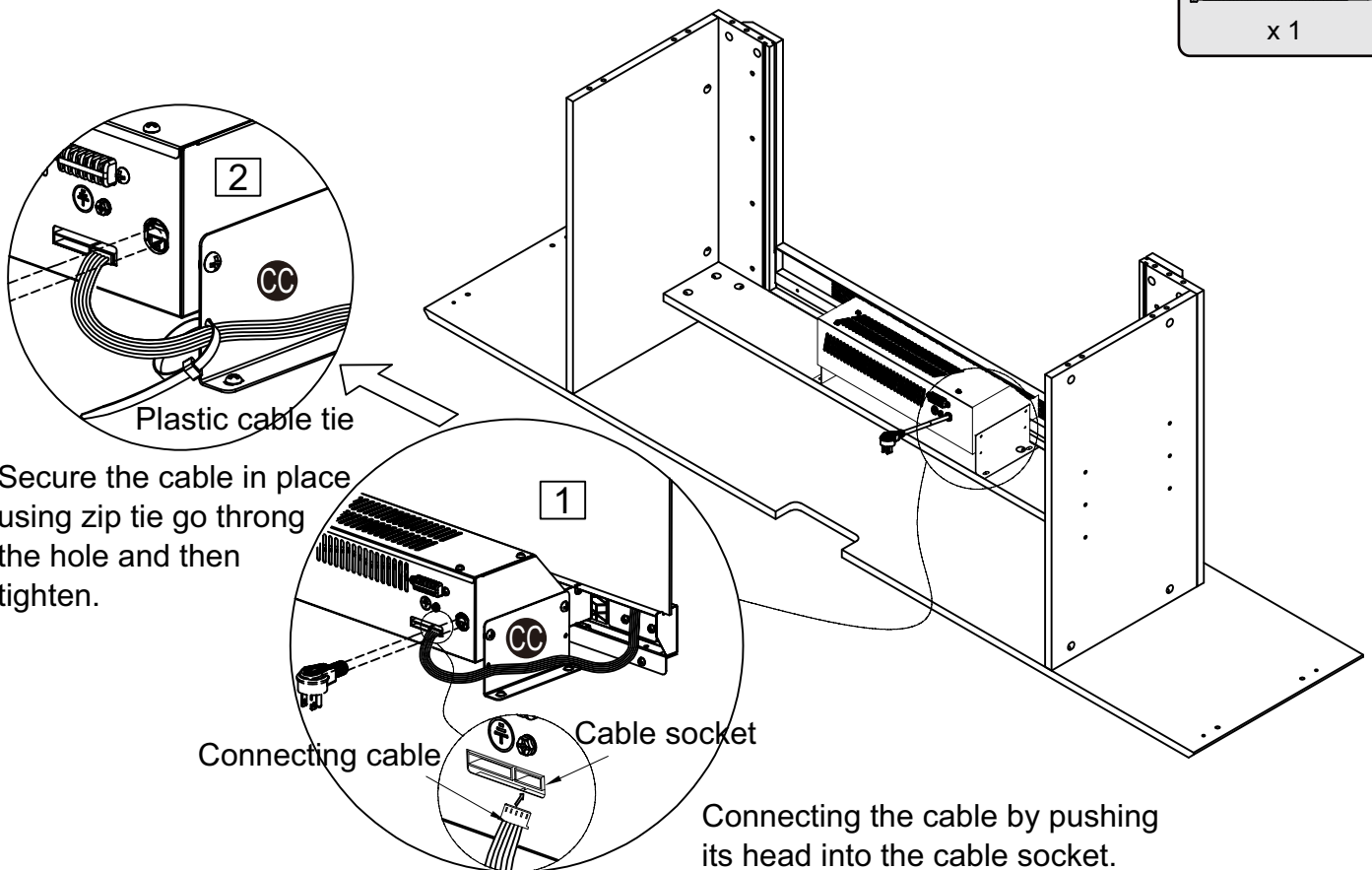


# Assembly Instructions

## Step 17



## Step 18



Secure the cable in place using zip tie go through the hole and then tighten.

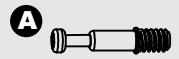
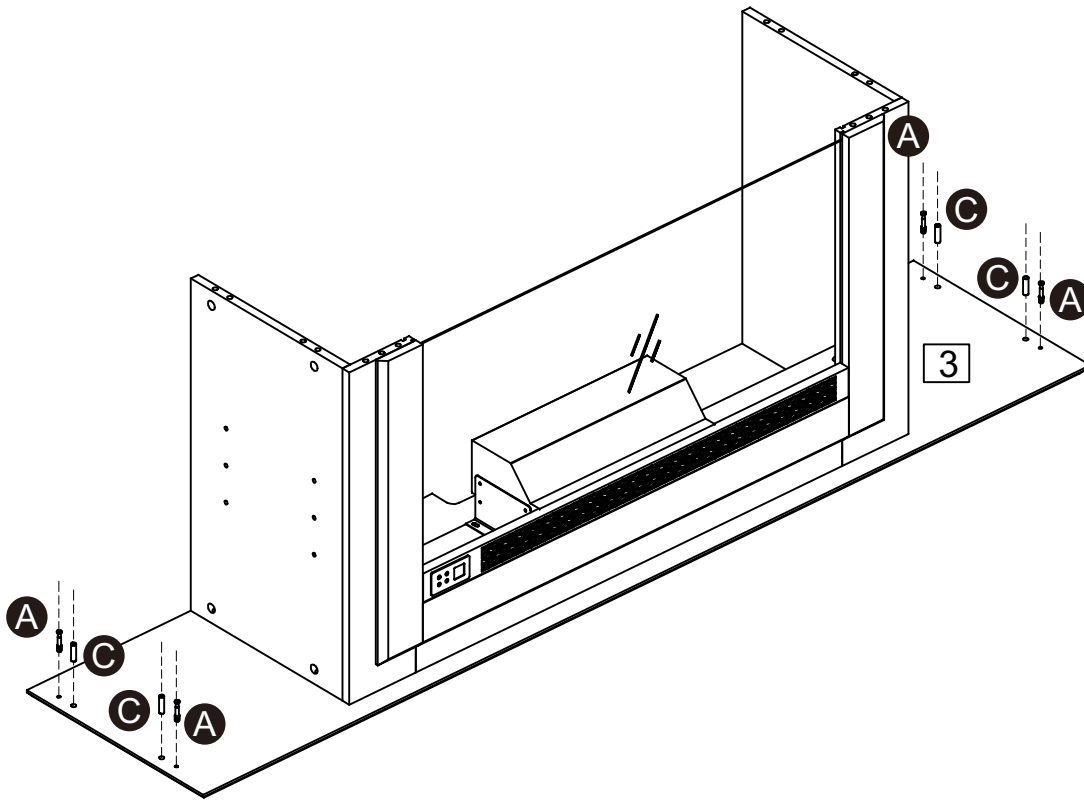
Connecting cable

Cable socket

Connecting the cable by pushing its head into the cable socket.

# Assembly Instructions

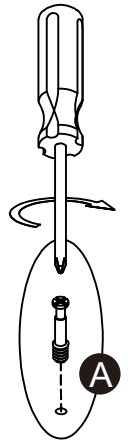
## Step 19



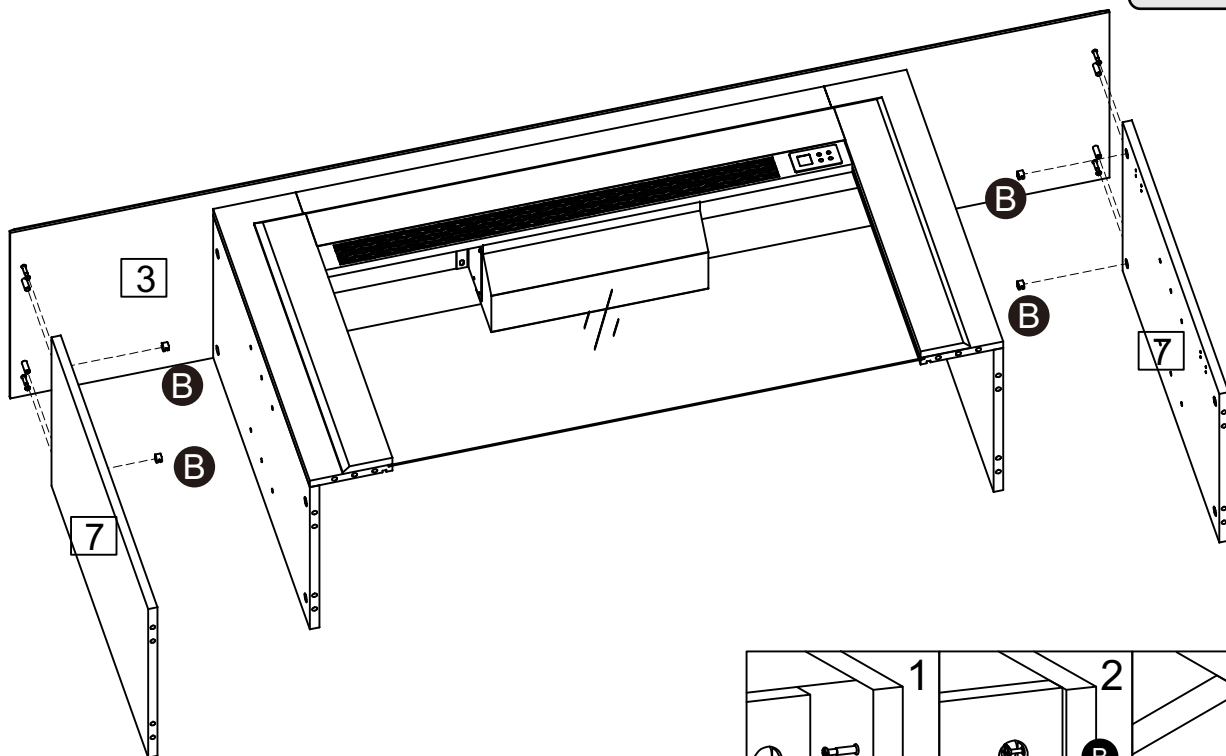
A x 4



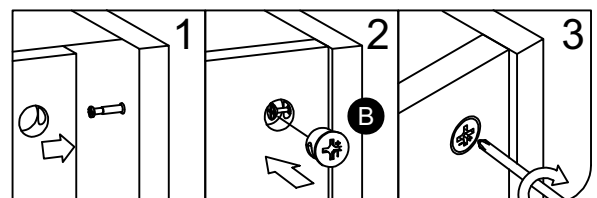
C x 4



## Step 20

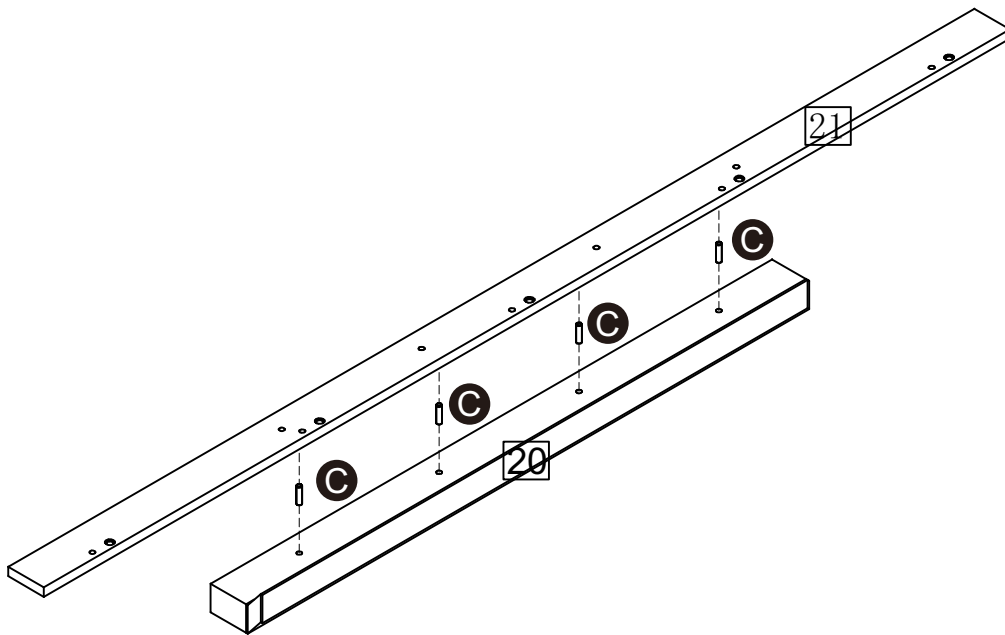
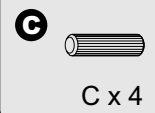


B x 4

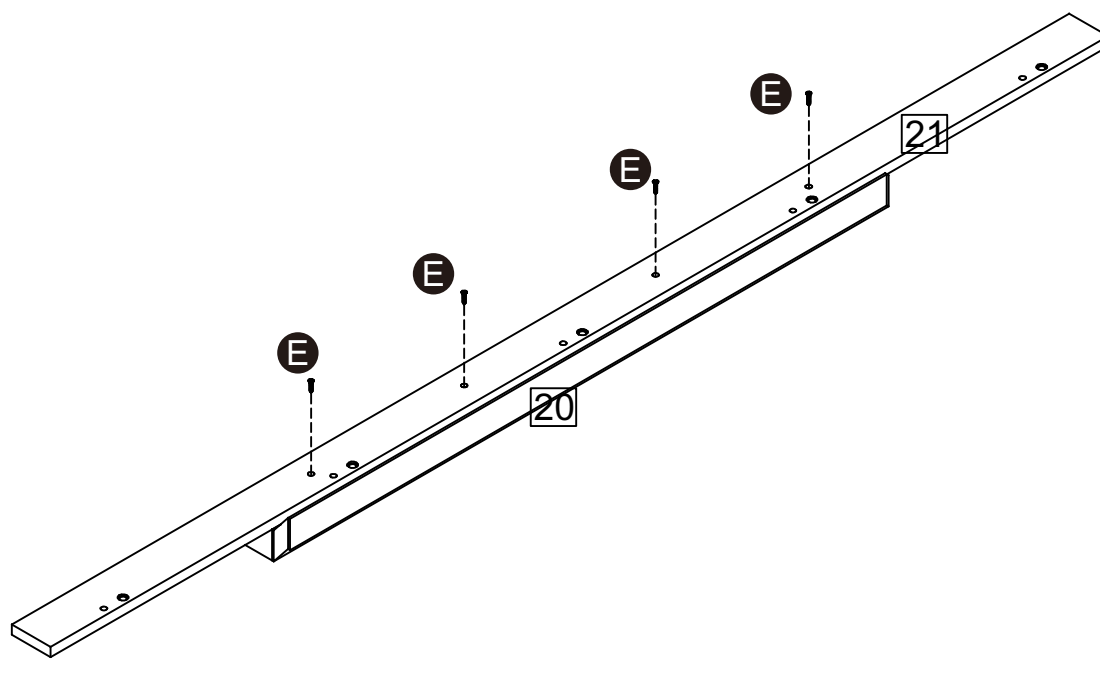


# Assembly Instructions

## Step 21

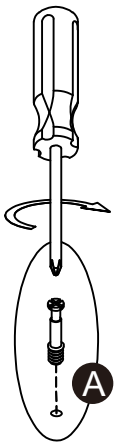
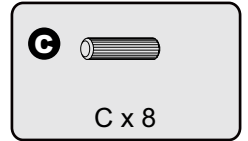
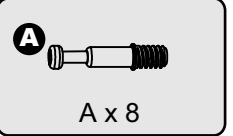
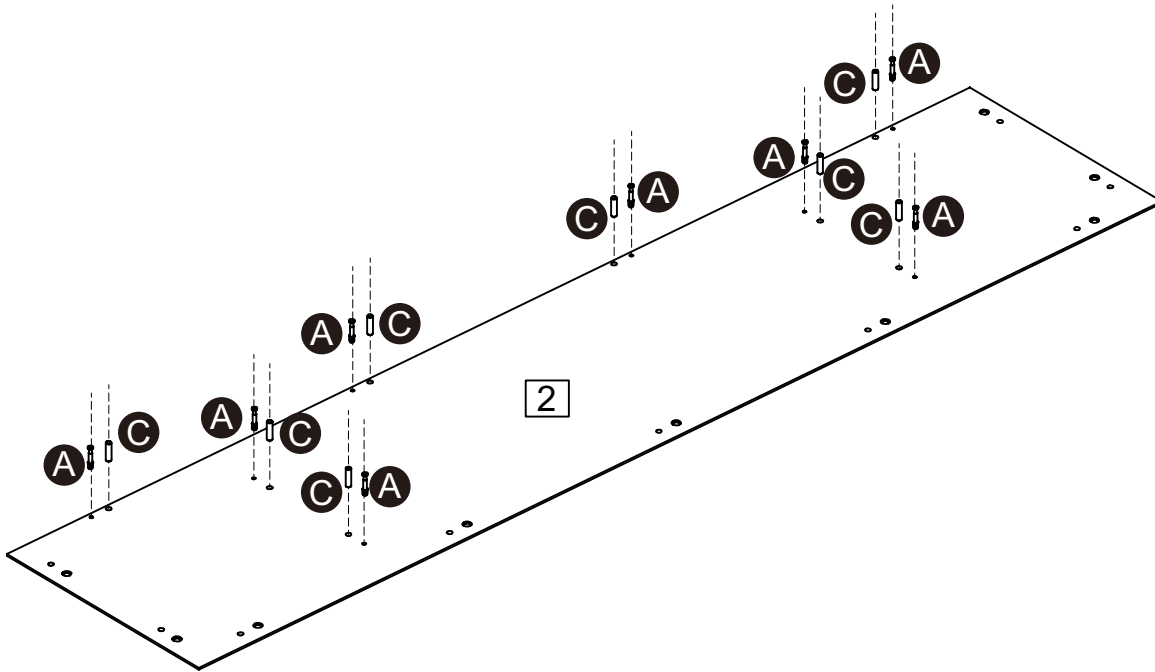


## Step 22

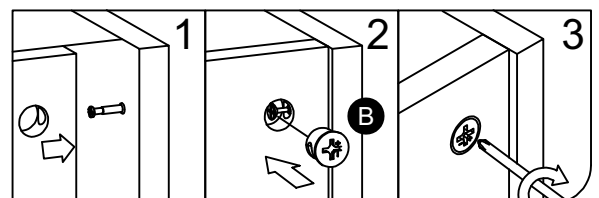
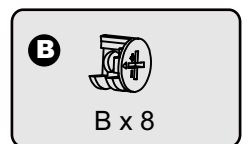
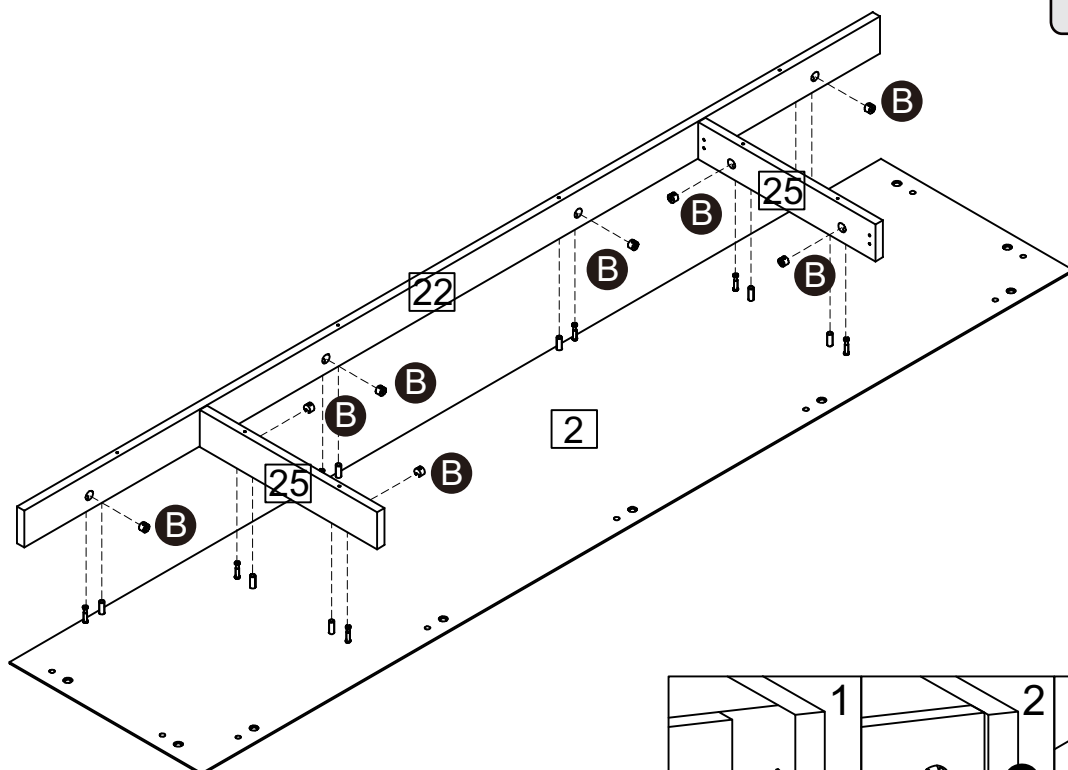


# Assembly Instructions

## Step 23

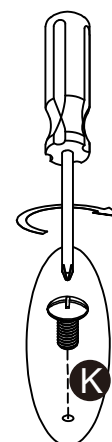
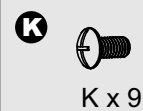
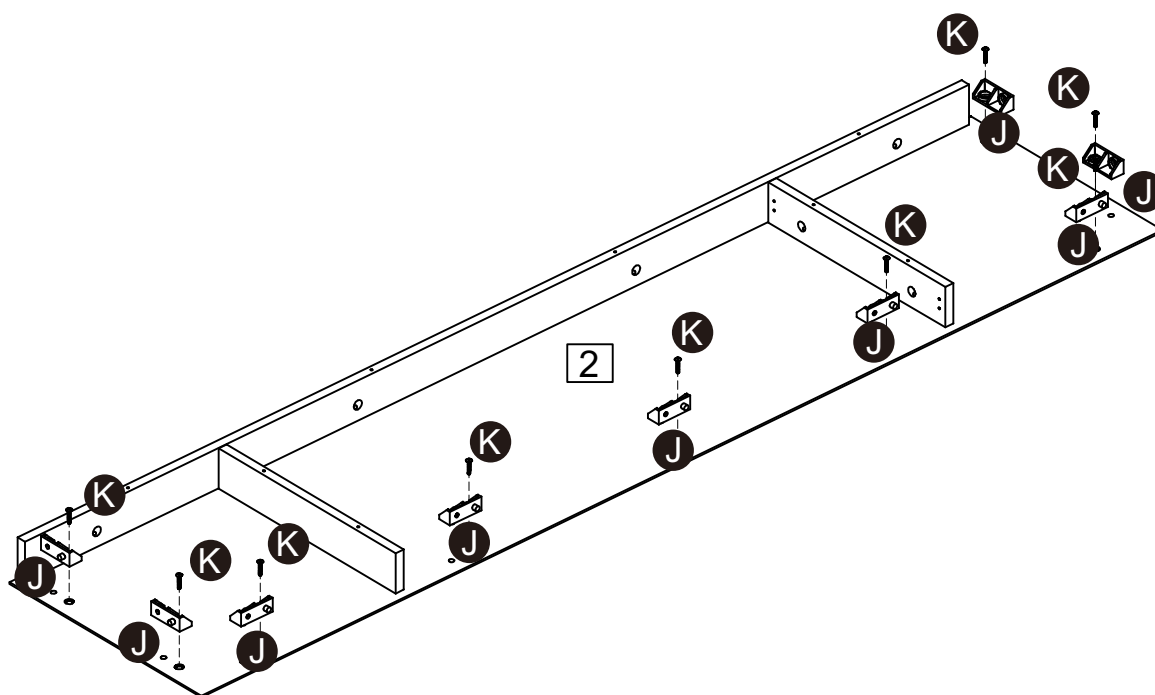


## Step 24

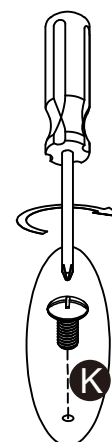
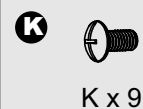
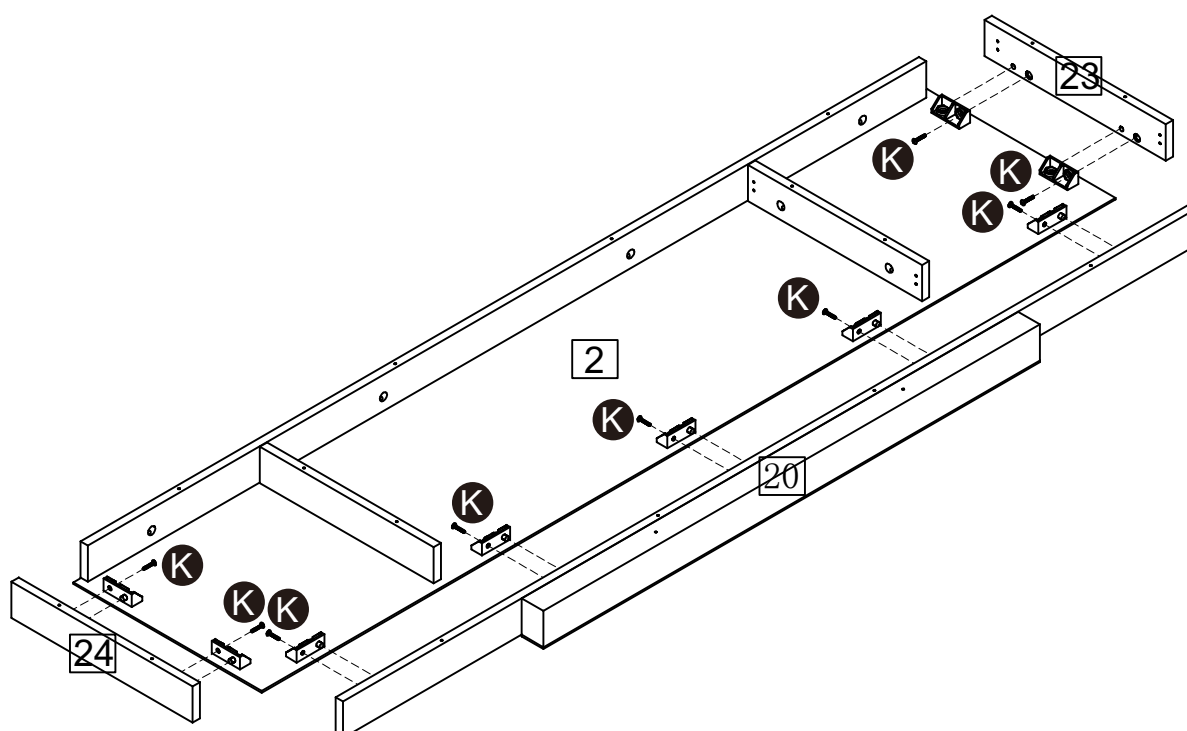


# Assembly Instructions

## Step 25

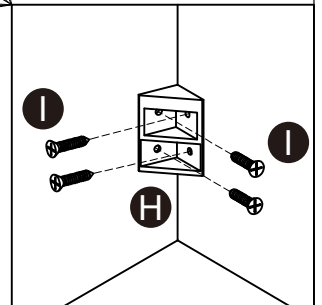
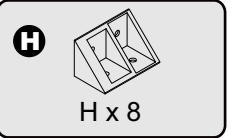
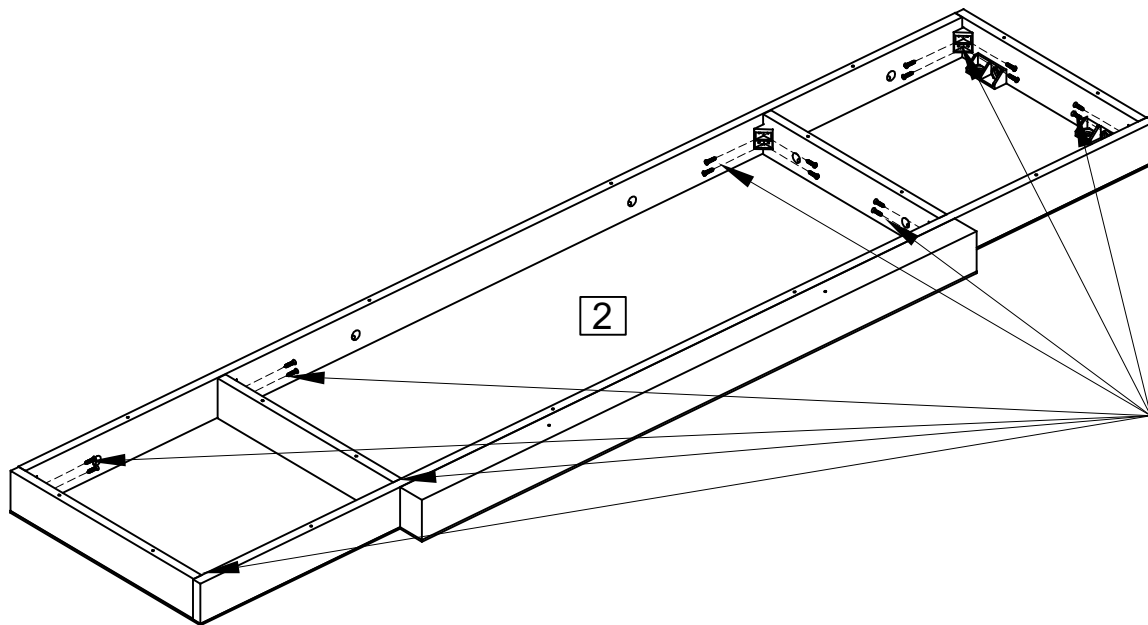


## Step 26

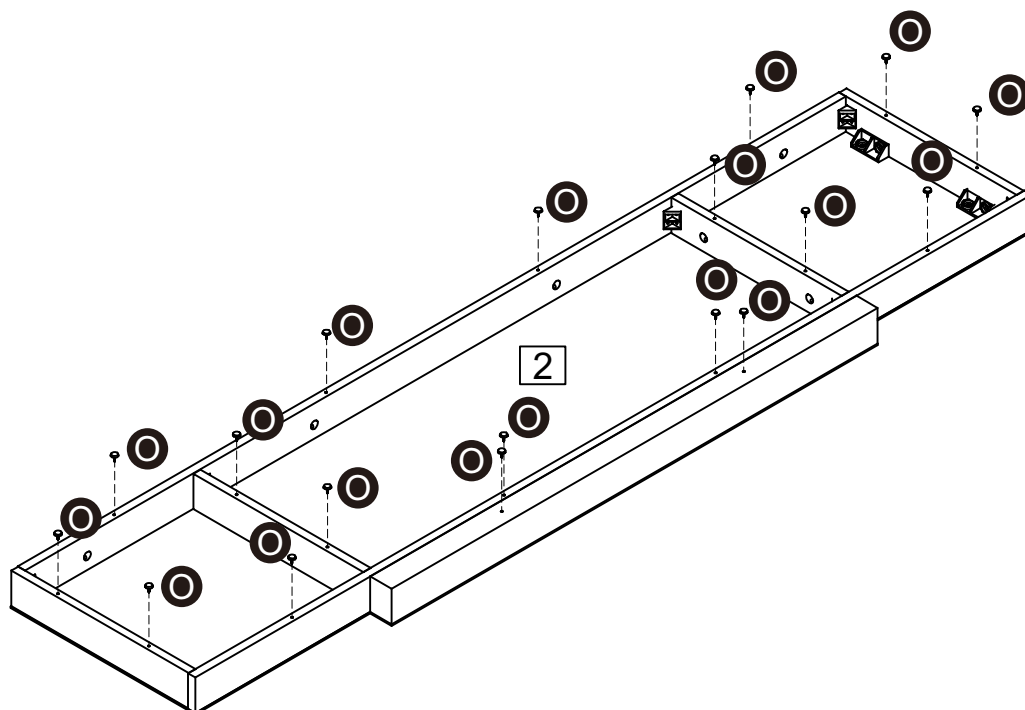


# Assembly Instructions

## Step 27

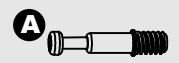
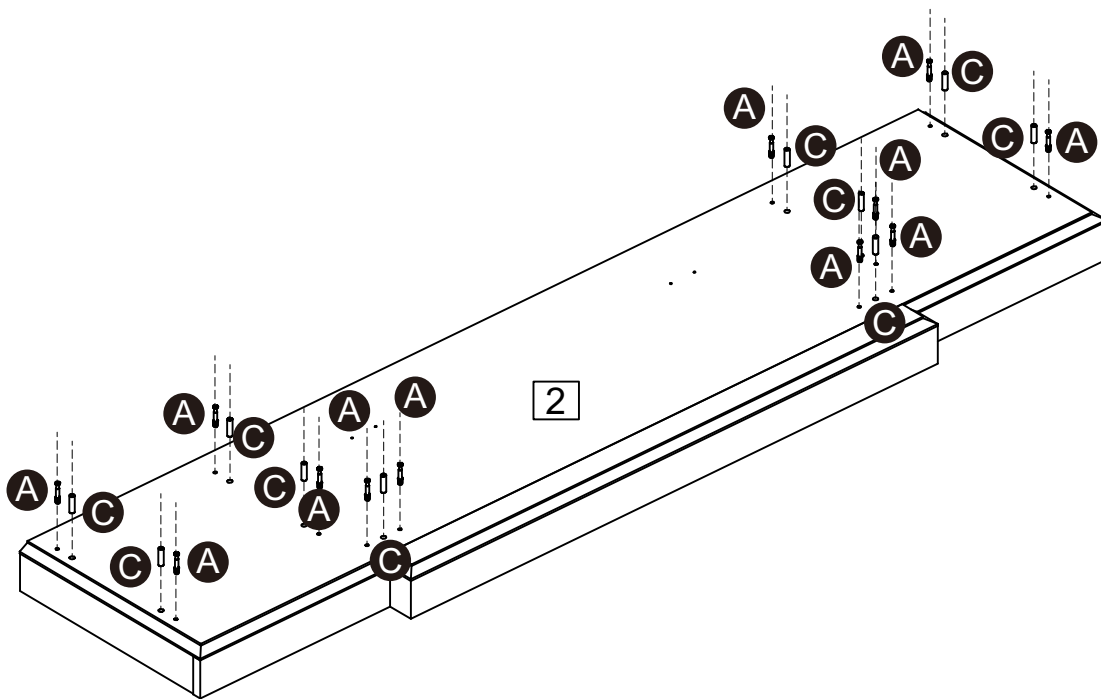


## Step 28



# Assembly Instructions

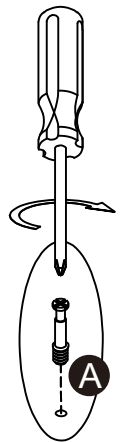
## Step 29



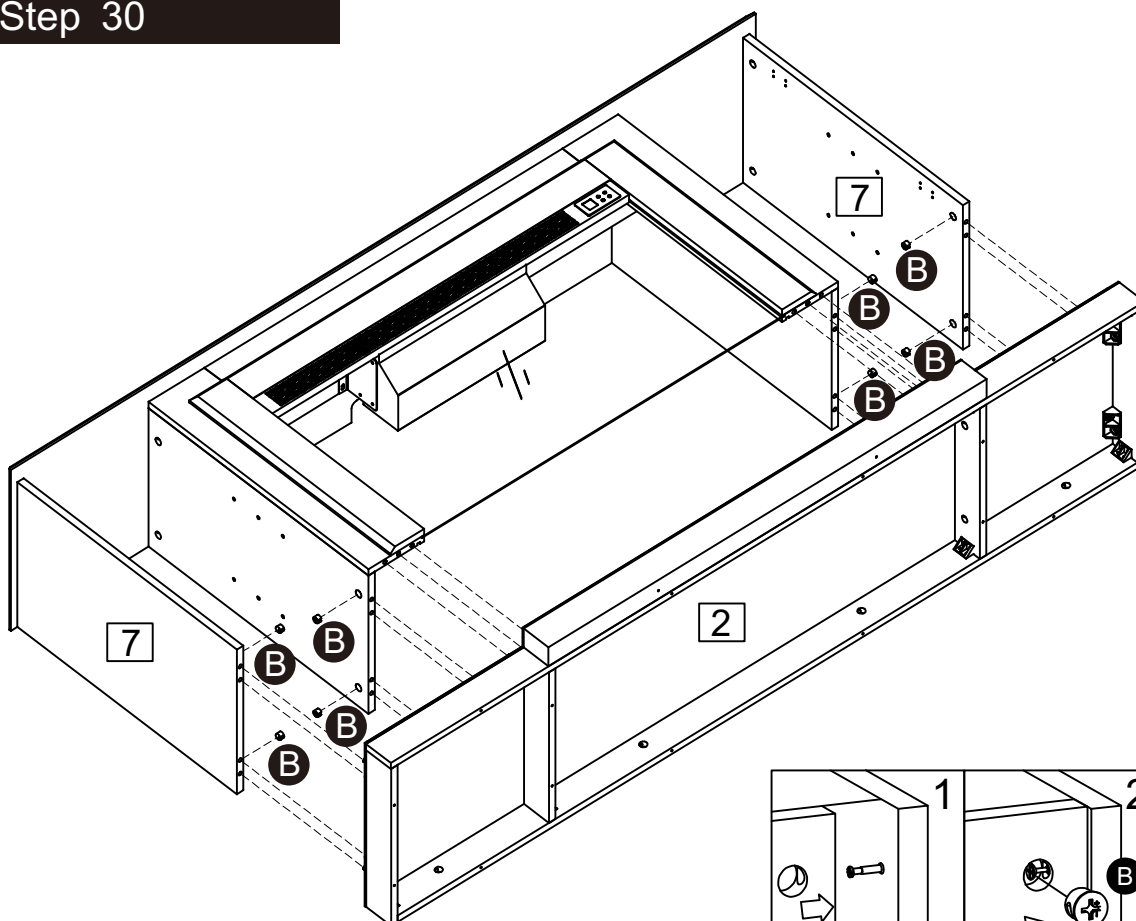
A x 12



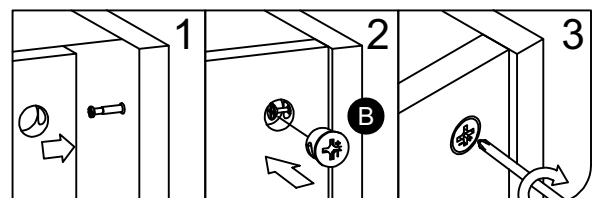
C x 10



## Step 30

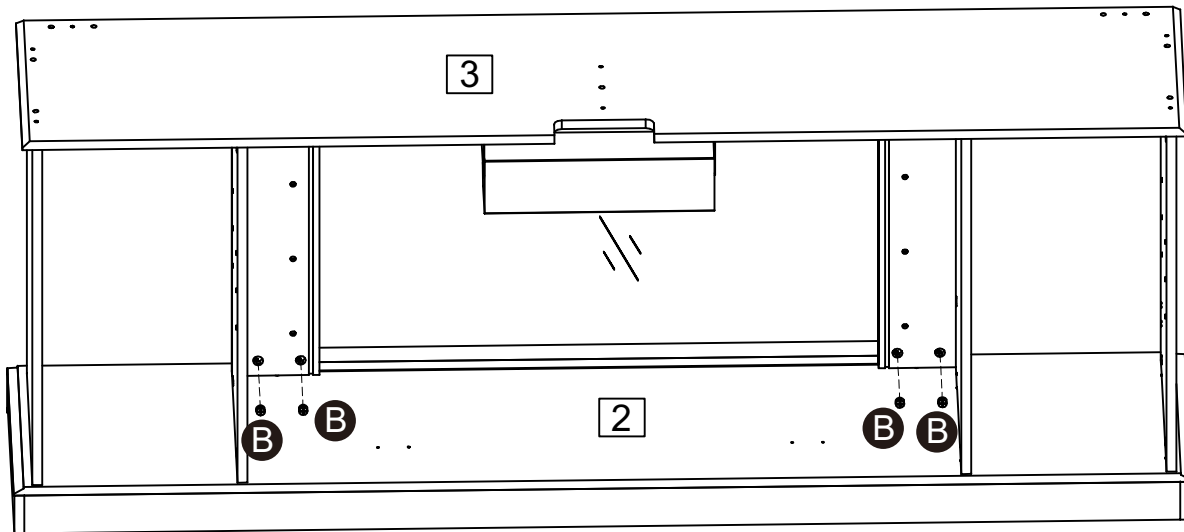
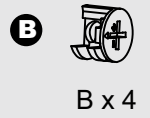


B x 8

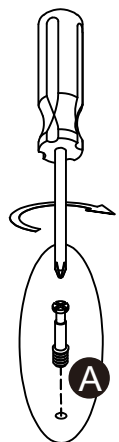
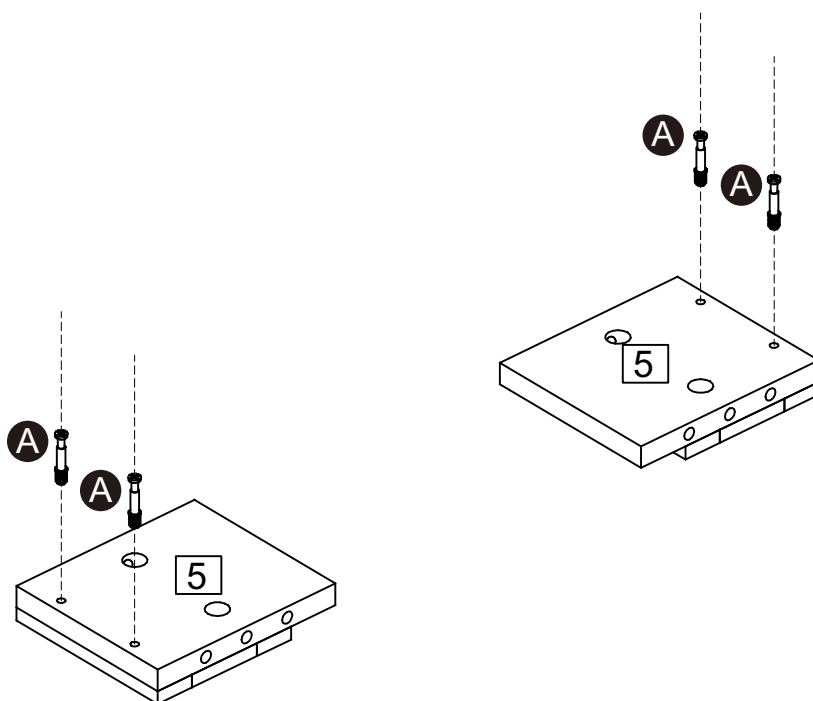
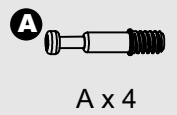


# Assembly Instructions

## Step 31

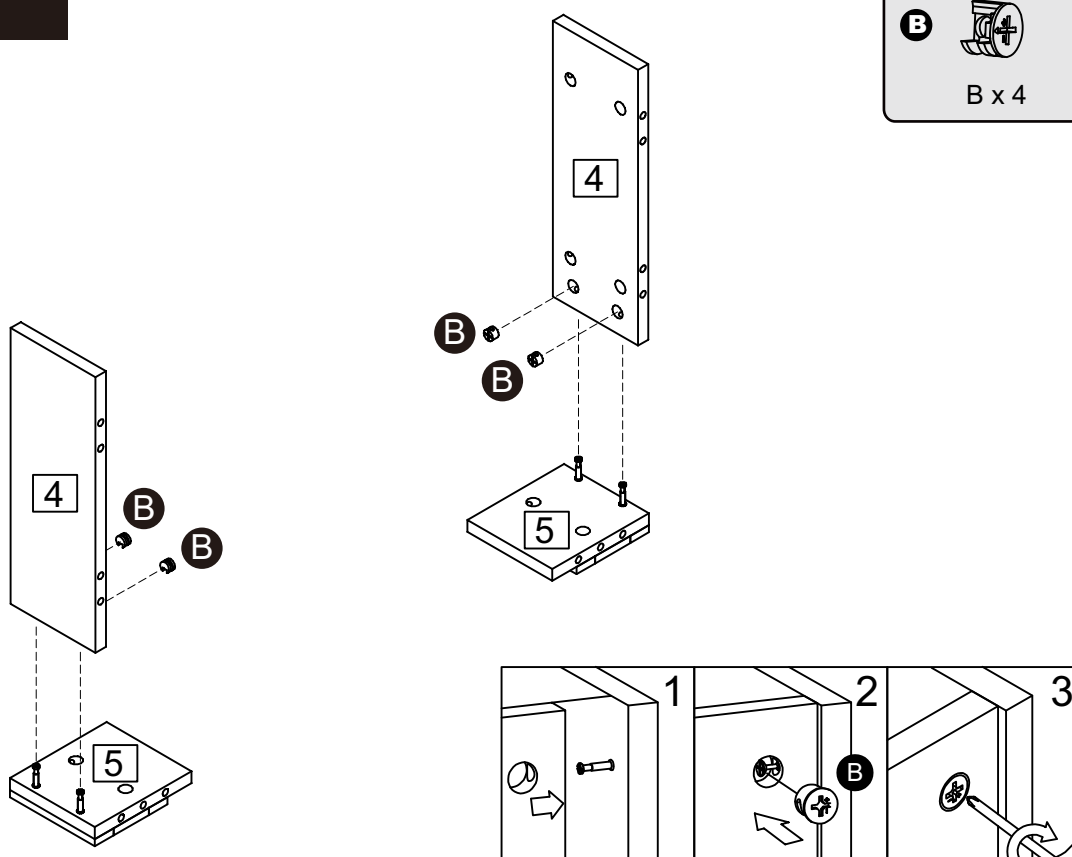


## Step 32

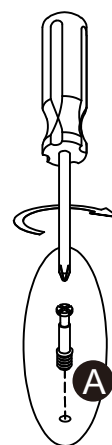
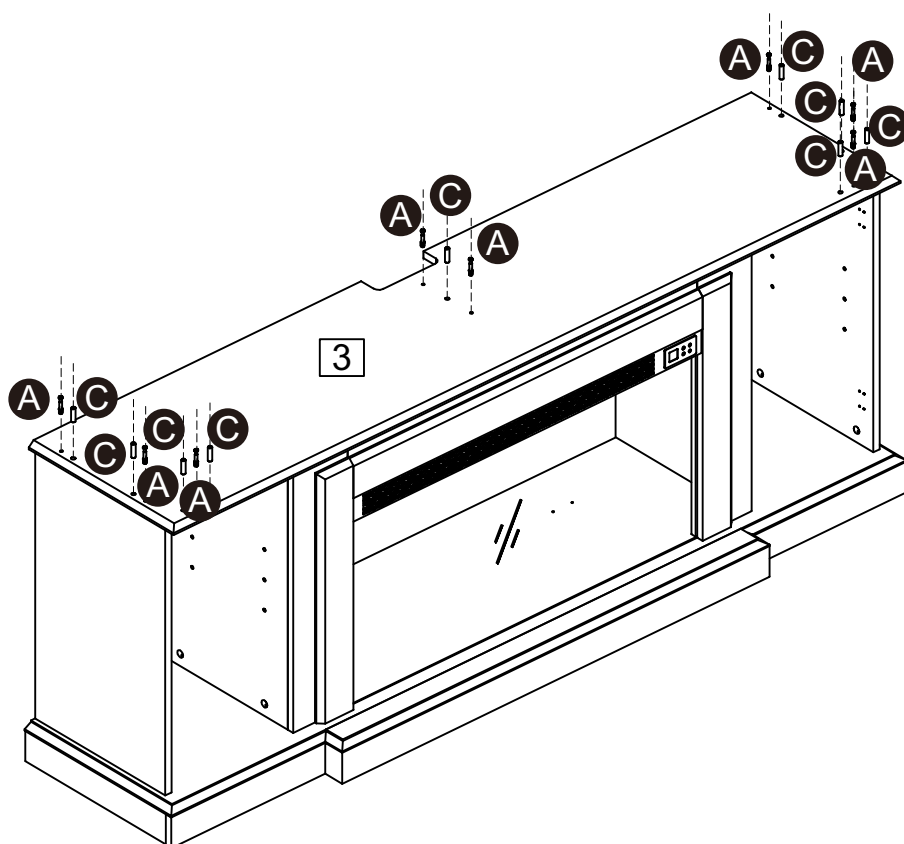


# Assembly Instructions

## Step 33

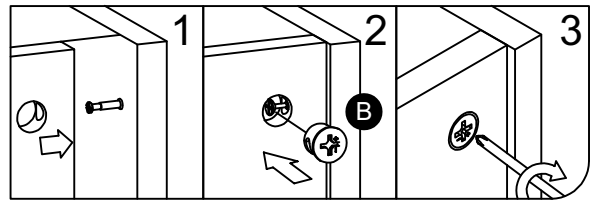
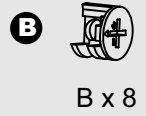
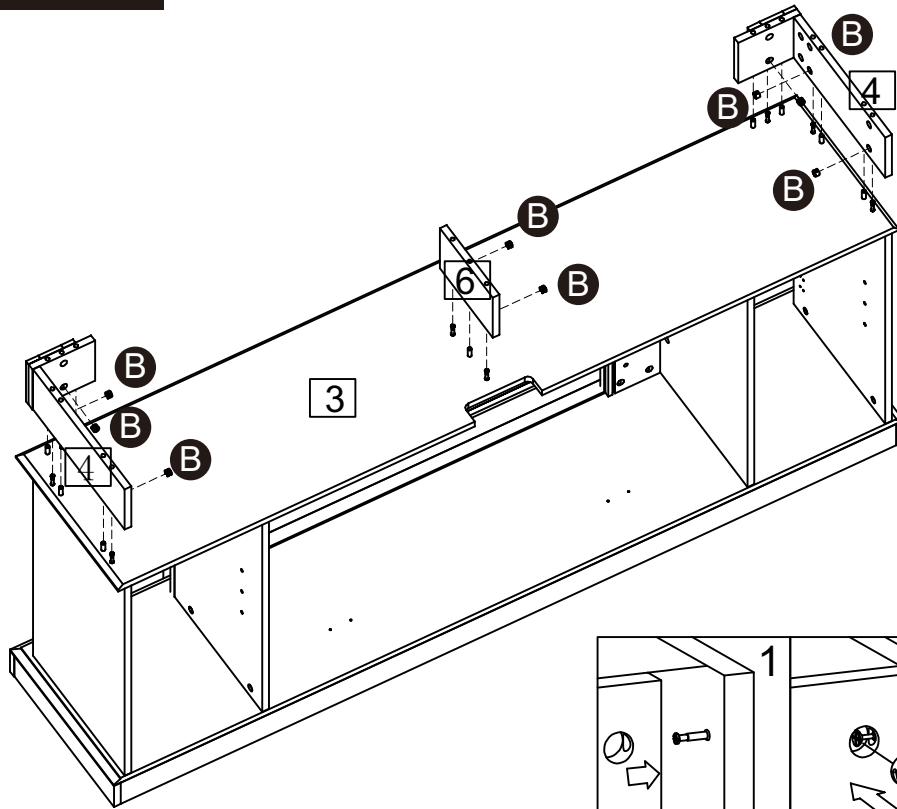


## Step 34

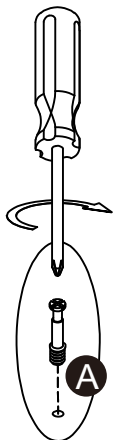
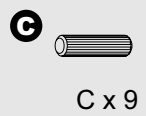
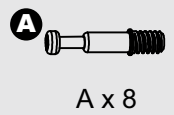
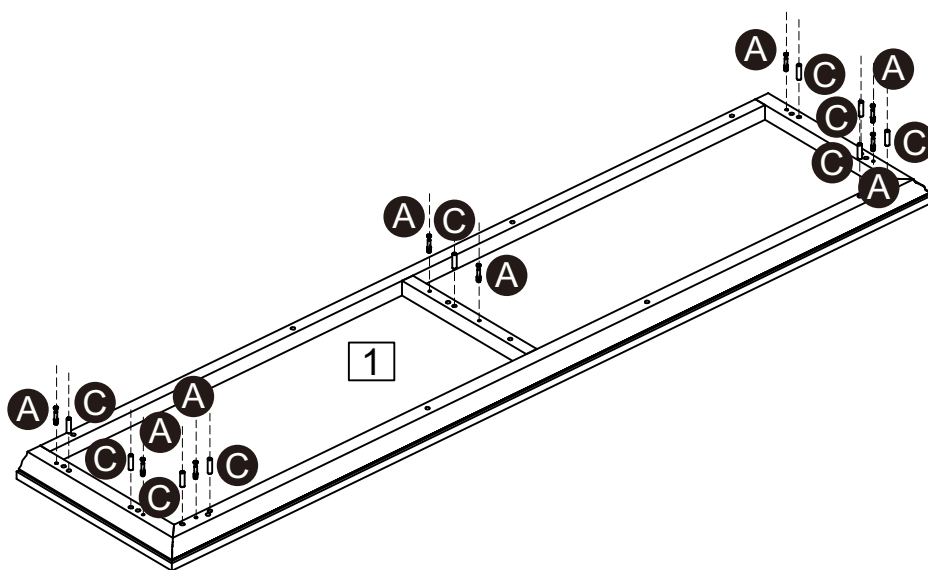


# Assembly Instructions

## Step 35

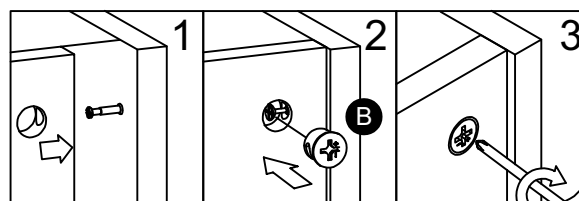
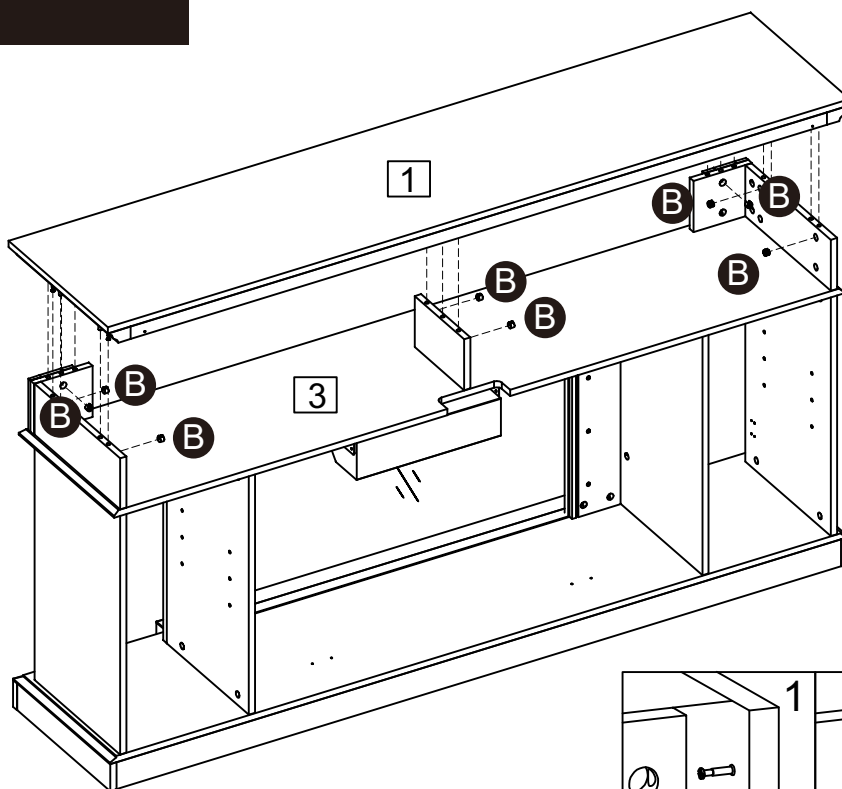


## Step 36

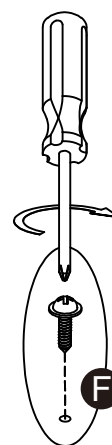
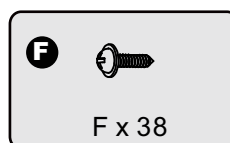
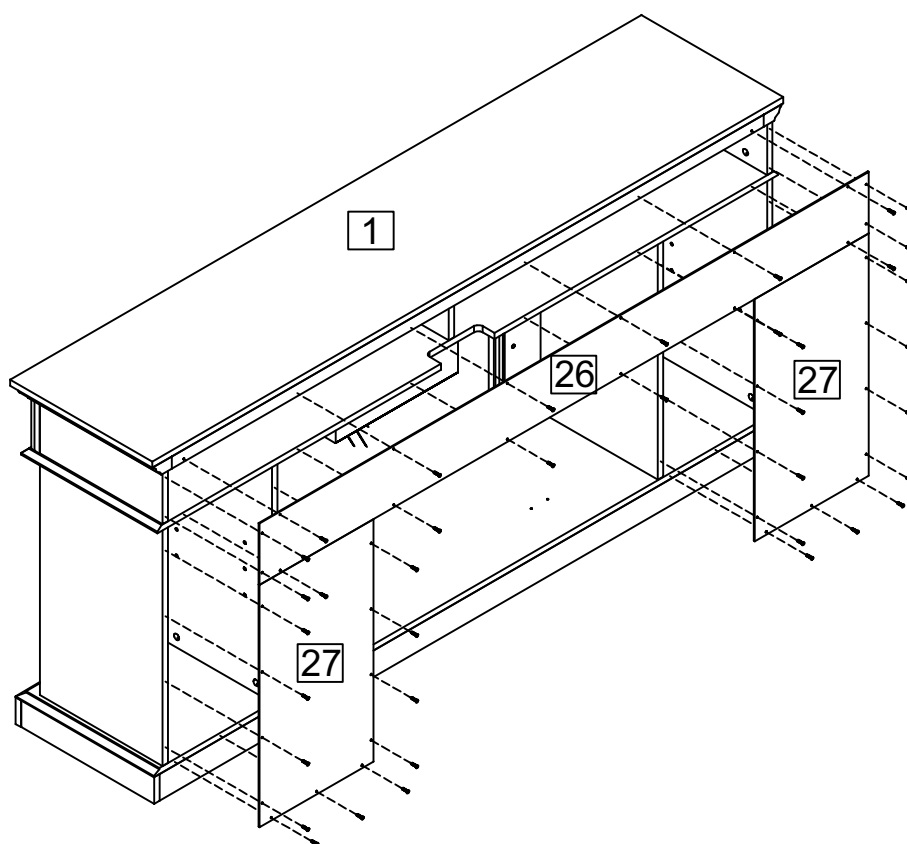


# Assembly Instructions

## Step 37

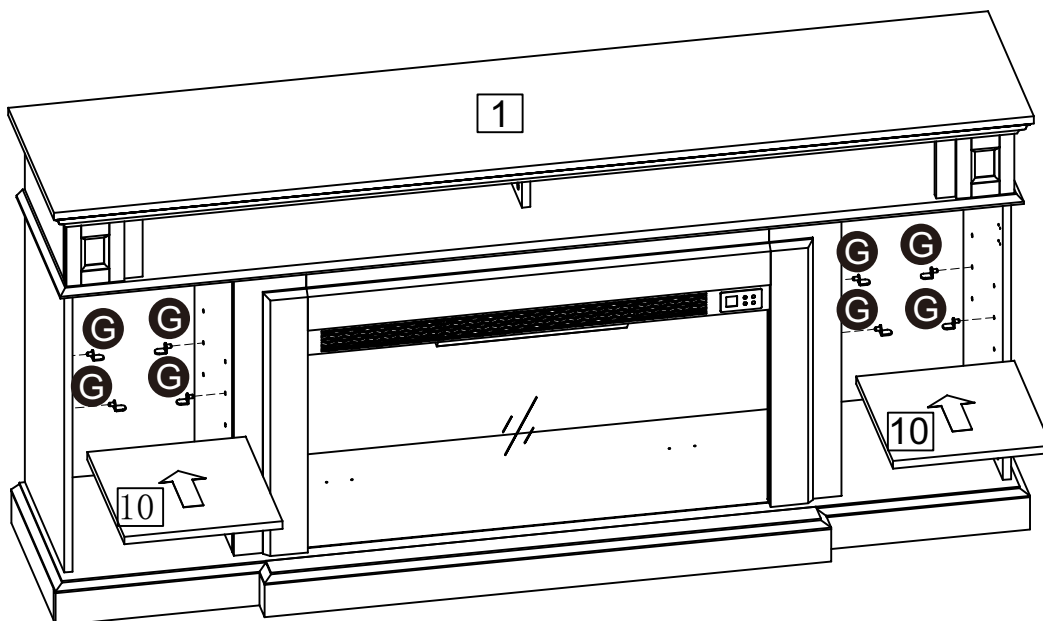


## Step 38

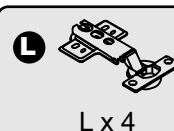
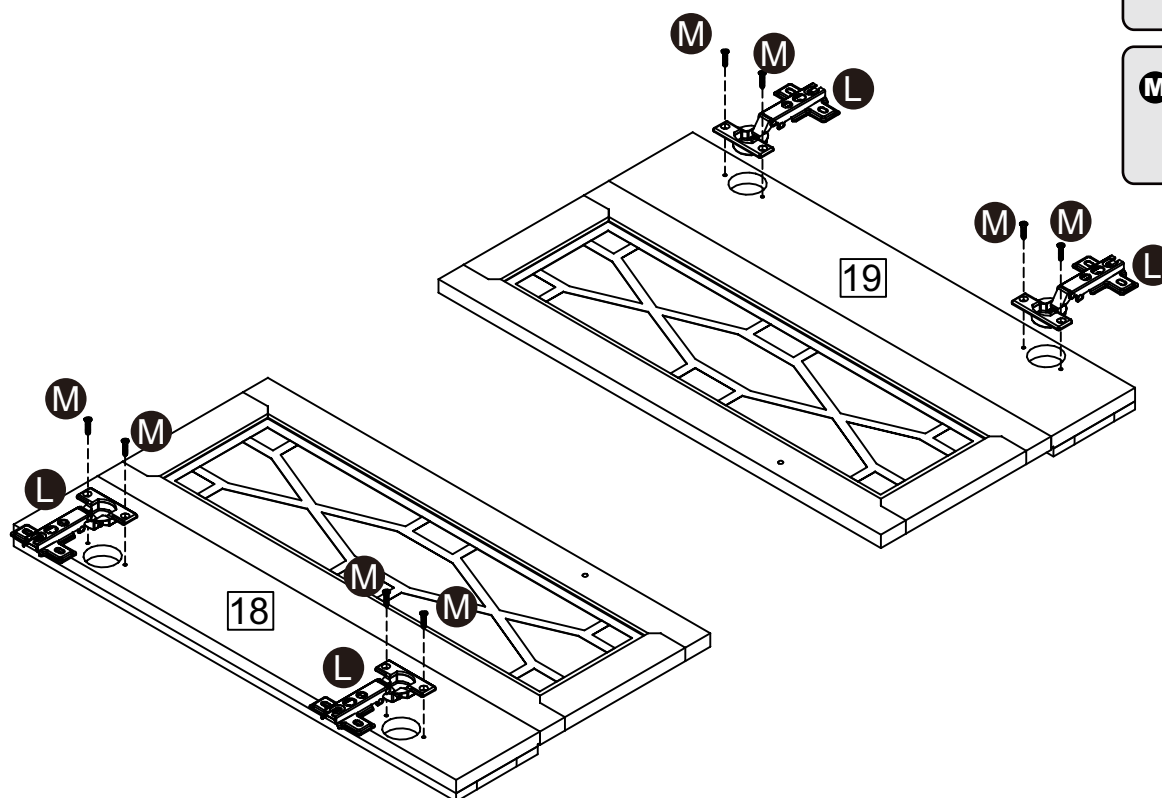


# Assembly Instructions

## Step 39

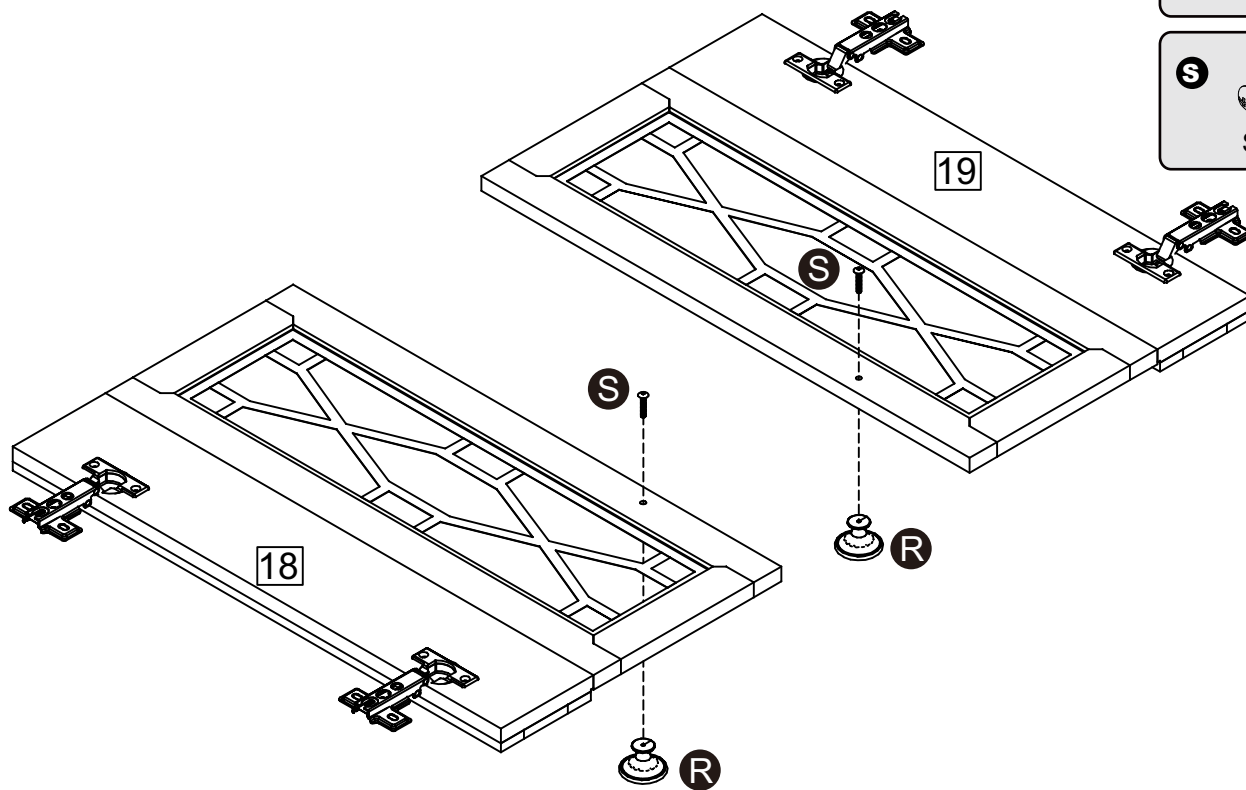


## Step 40

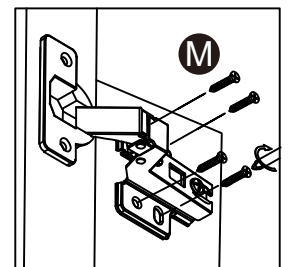
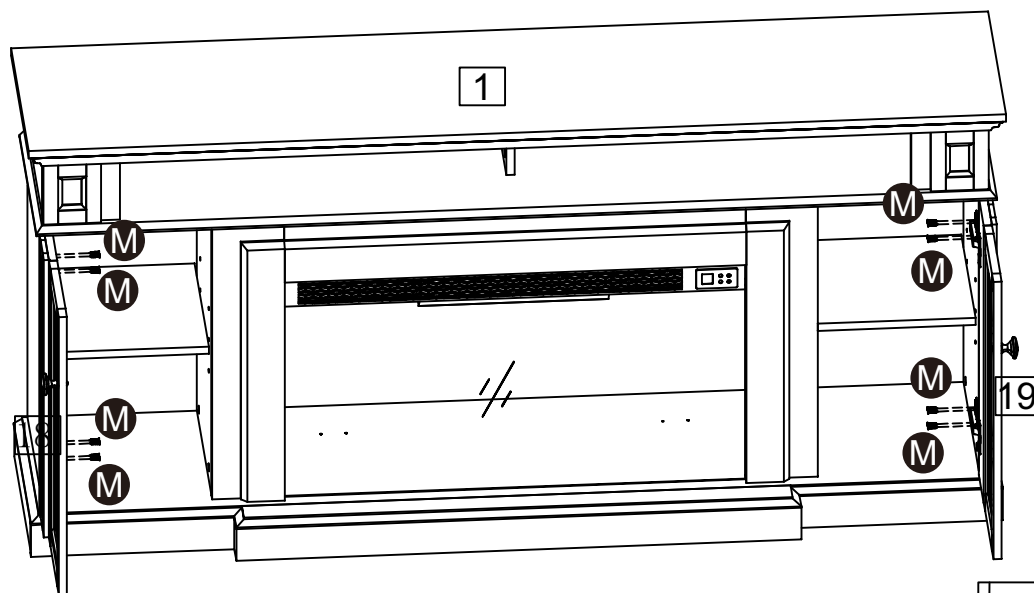


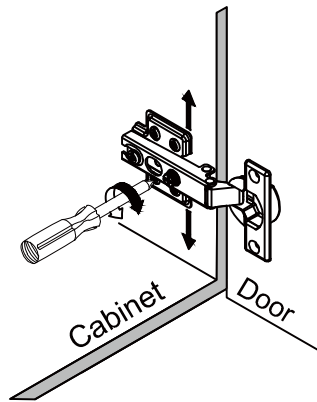
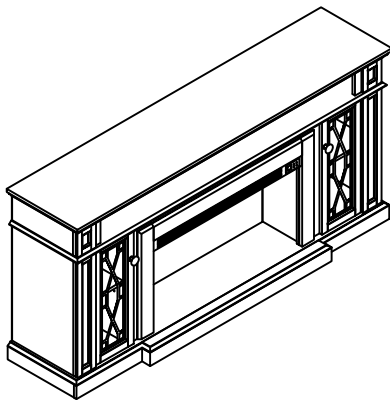
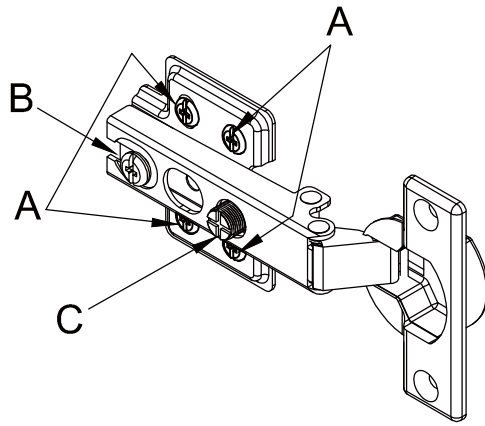
# Assembly Instructions

## Step 41



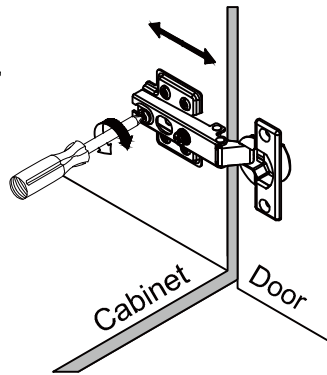
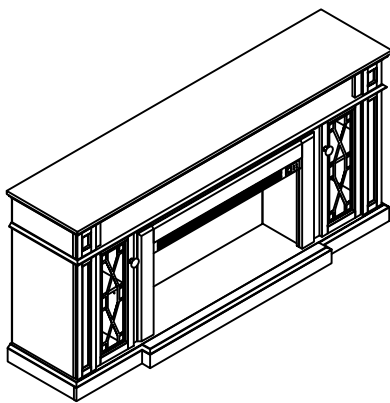
## Step 42





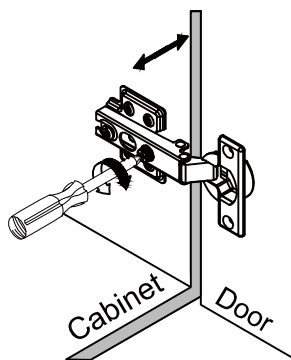
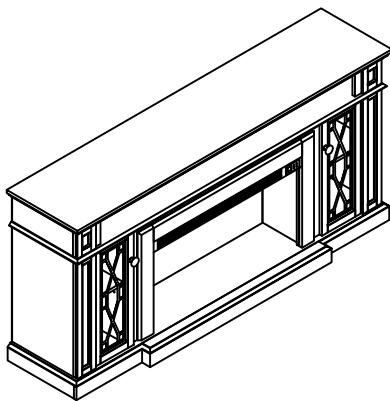
**To adjust the vertical height.**

Loosen the four screws "A" on both hinges. Two of them are usually in slotted holes which allows you to adjust up or down by a few mm. Then tighten back up.



**To adjust depth.**

Loosen screw "B" and adjust door, if the door can not be adjusted, please loosen screw "C", then try again. Tighten screw "B" and "C".



**To adjust side ways.**

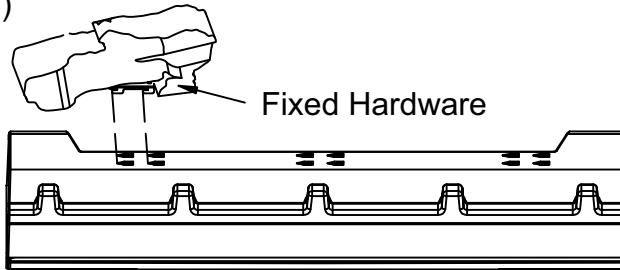
Turning the screw "C" on BOTH hinges on each door.

# Assembly Instructions

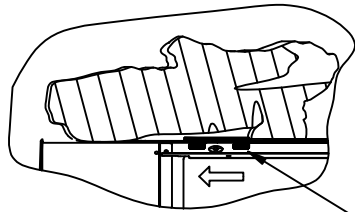
## Step 43

Install logset (01) to the ember

Logset (01)



Insert the fixed hardware into the hole of ember bed.



Fixed Hardware

Install the logset, put down and move toward left to make it tightly.

**Logset (01)**



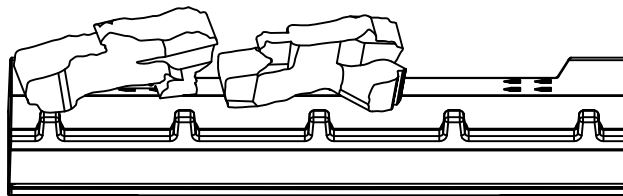
AA



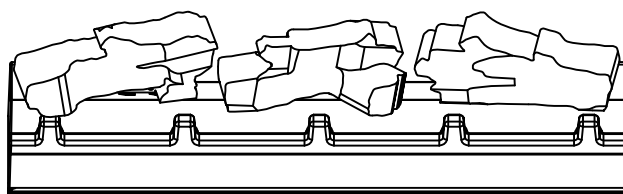
x 1

## Step 44

Same method to install logset 02 as installing logset 01.



ISame method to install logset 03 as installing logset 01.



**Logset (02)**

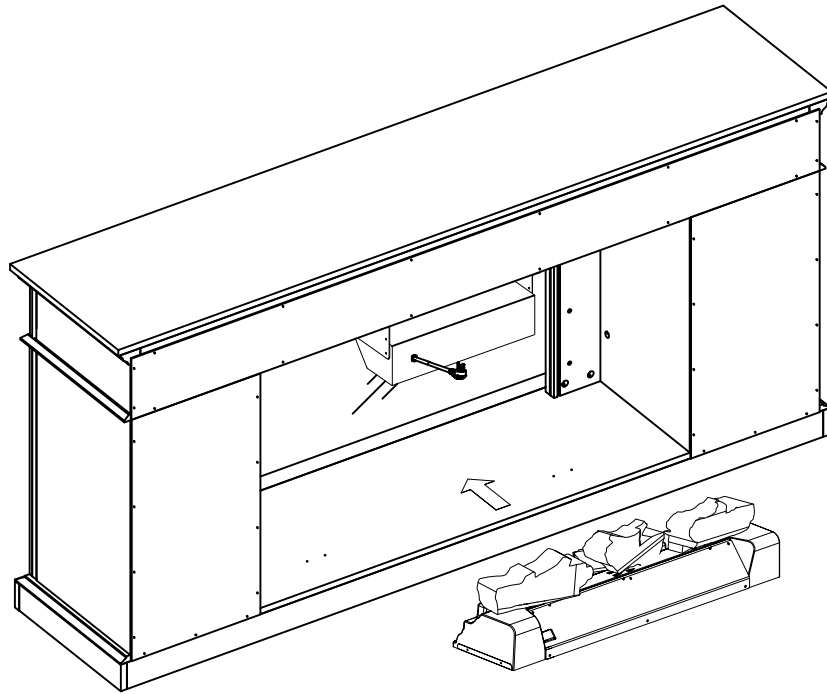


**Logset (03)**



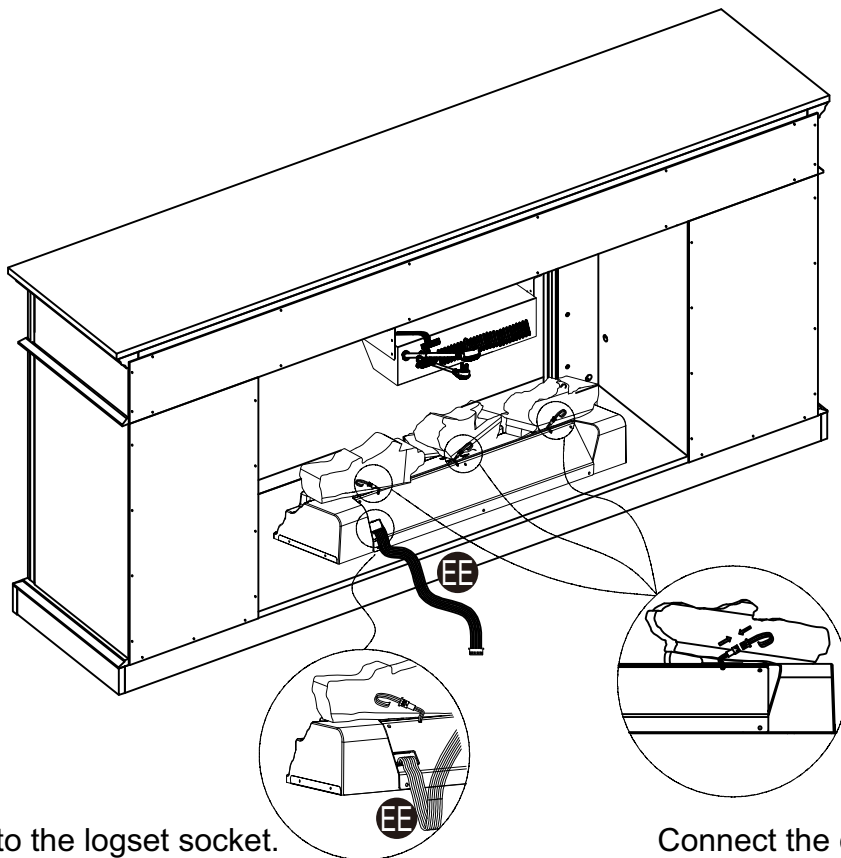
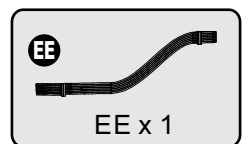
# Assembly Instructions

## Step 45



Place the assembled logset module in front of the glass and put it stand against glass.

## Step 46

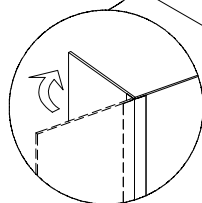
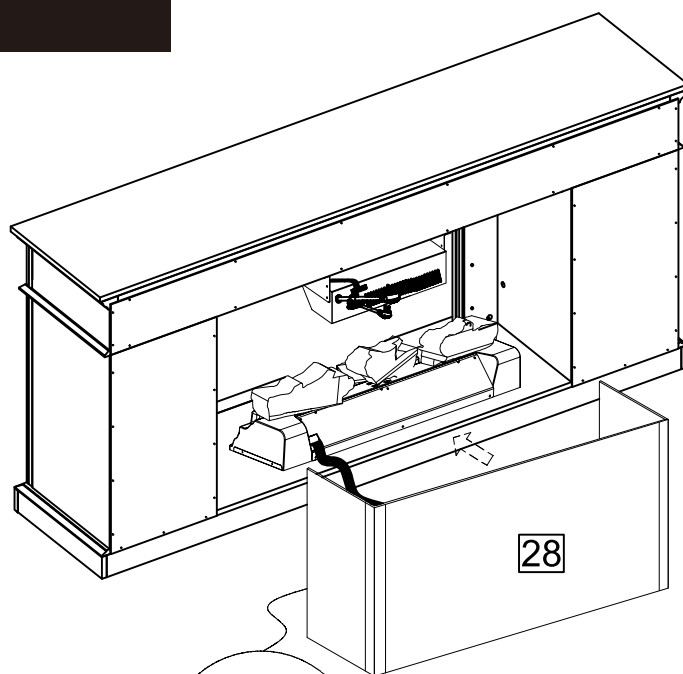


Plug the cable into the logset socket.

Connect the cable of the logset.

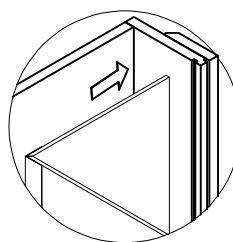
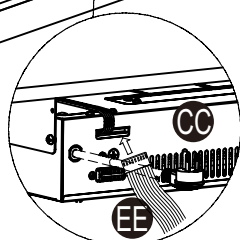
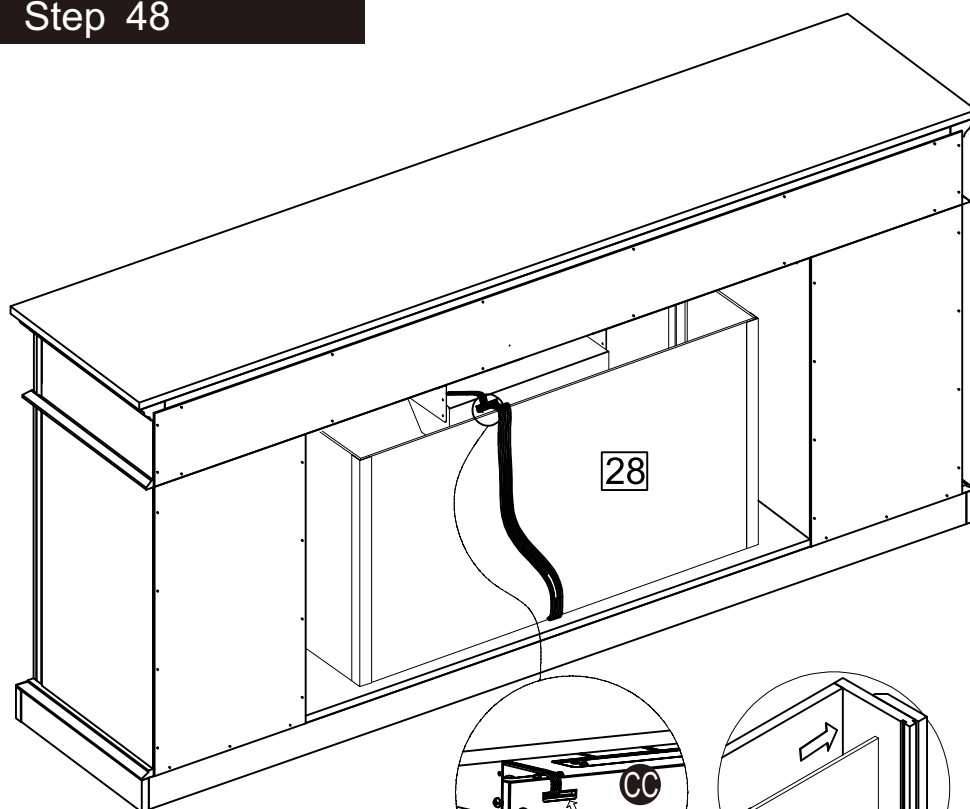
# Assembly Instructions

## Step 47



Fold back panel 28 inward at 90 degrees from the joint, surrounding the logset.

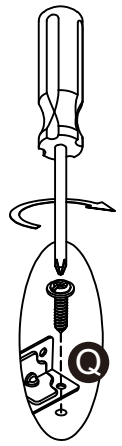
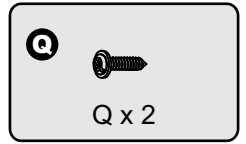
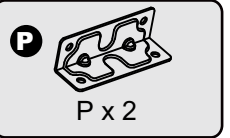
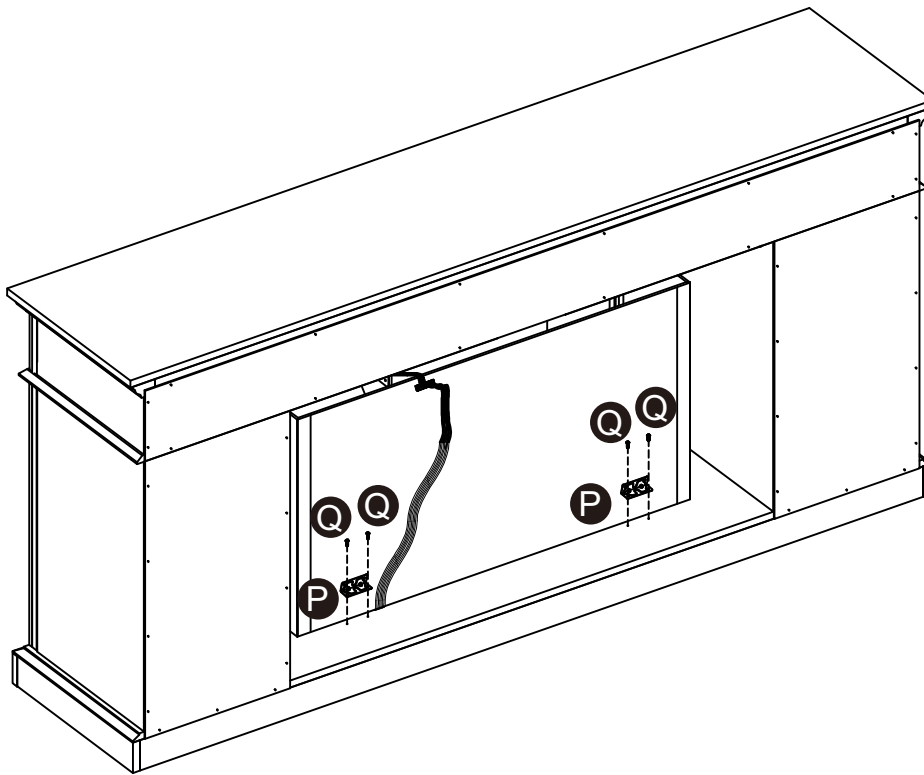
## Step 48



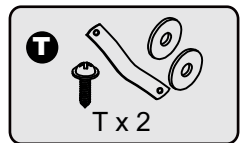
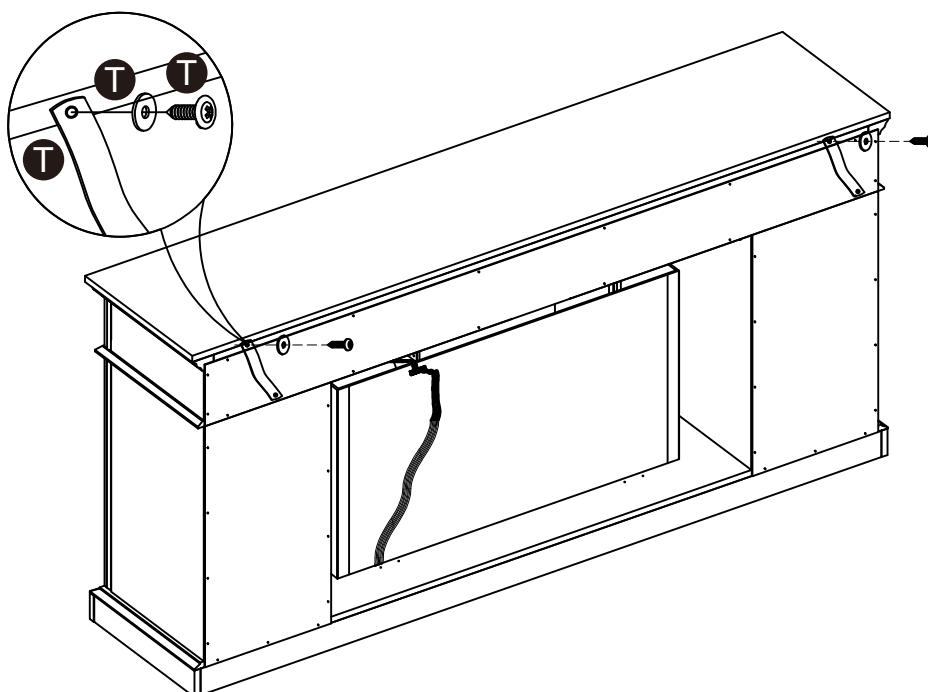
Insert the cable and push panel 28 forward into the slot.

# Assembly Instructions

## Step 49

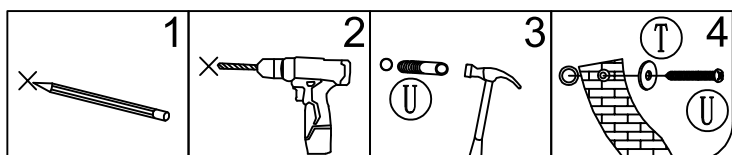
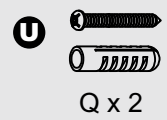
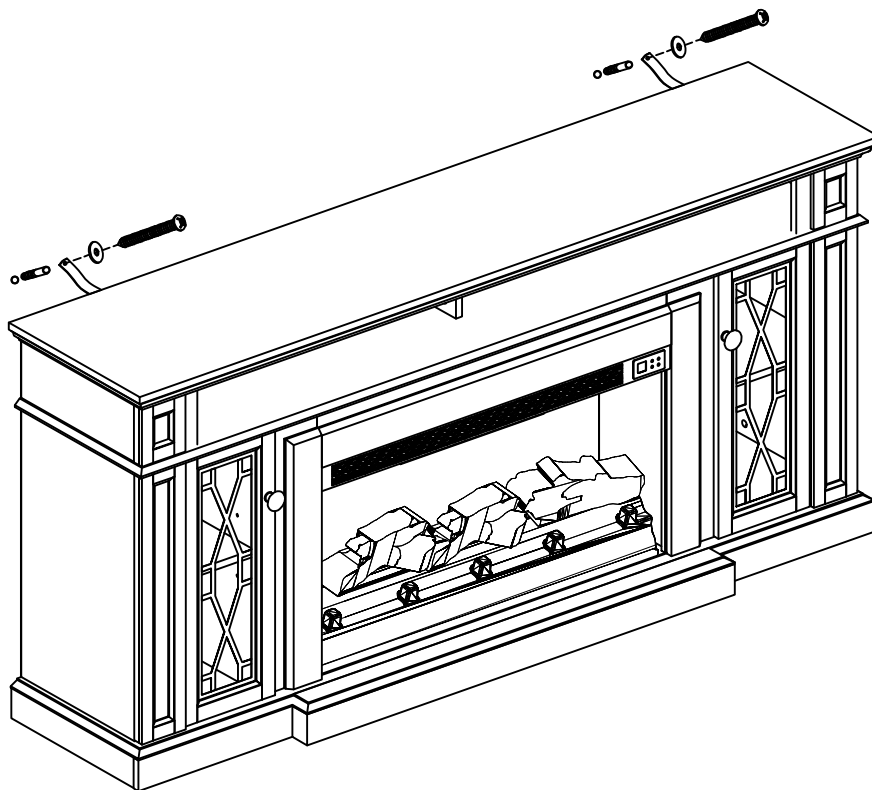


## Step 50



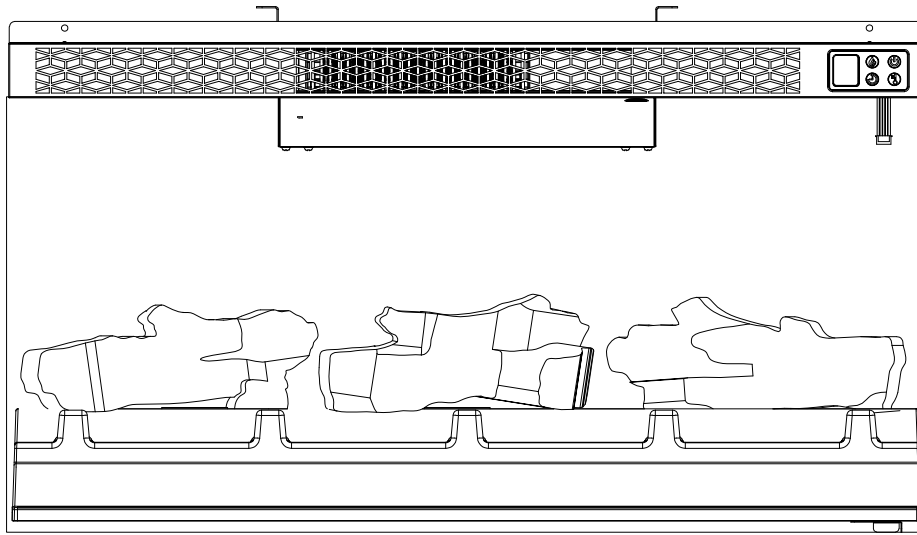
# Assembly Instructions

## Step 51



# USER MANUAL

## Electric Fireplace



THIS INSTRUCTION BOOKLET CONTAINS IMPORTANT SAFETY INFORMATION.  
PLEASE READ AND KEEP FOR FUTURE REFERENCE.

---

## Safety Information

### IMPORTANT SAFETY INFORMATION

PLEASE READ ALL OF THE INFORMATION IN THIS OPERATING MANUAL, INCLUDING ALL SAFETY, OPERATING, AND MAINTENANCE INFORMATION. TO AVOID THE POTENTIAL RISK OF FIRE, ELECTRIC SHOCK, OR INJURY TO PERSONS, USERS SHOULD FOLLOW THE DIRECTIONS AND WARNINGS IN THIS MANUAL

Read all instructions before using this heater.

Do not use this heater outdoors.

This heater is not intended for use in bathrooms, laundry areas and similar indoor locations. Never locate the heater where it may fall into a bathtub or other water container.

Do not run the power cord under carpeting. Do not cover the power cord with throw rugs, runners, or the like.

Arrange the power cord away from traffic areas and where it will not be tripped over.

To disconnect the heater, turn controls to off , then remove the plug from the outlet.

Connect to properly grounded outlets only. Always plug heaters directly into a wall outlet/receptacle. Never use with an extension cord or relocatable power tap (outlet/power strip).

To prevent a possible fire, do not block firebox air intakes or the exhaust in any manner. Do not operate the firebox on soft surfaces, like a bed, where openings may become blocked.

There is a thermostat limiter inside the heater. When the inner temperature over heats or abnormal heating occurs, the thermostat protective device cuts off the power supply to avoid fireplace damaged or risk of fire.

Use this heater only as described in this manual. Any other use not recommended by the manufacturer may cause fire, electrical shock, or injury to persons.

---

---

## SAVE THESE INSTRUCTIONS



### WARNING

There are no user serviceable parts inside the fireplace / heater, If the unit appears to malfunction, turn the unit off and unplug the unit from the wall immediately, and contact Customer.



### WARNING

This heater is hot when in use. To avoid burns, do not let bare skin touch hot surfaces. If provided, use handles when moving this heater, Keep combustible material, such as furniture, pillows, bedding, papers, clothes and curtains at least 3 f.t ( 0.9 meters) from the front of the heater and keep them away from the sides and rear.



### WARNING

Extreme caution is necessary when any heater is used by or near children or invalids and whenever the heater is left operating and unattended.



### WARNING

Always unplug the heater when not in use.



### WARNING

Do not operate any heater with a damaged cord or plug or after the heater malfunctions, has been dropped or damaged in any manner. Return the heater to an authorized service facility for examination, electrical or mechanical adjustment, or repair.



### WARNING

Do not insert or allow foreign objects to enter any ventilation or exhaust openings as this may cause an electric shock or fire, or damage the heater.



### WARNING

Heater has hot and arching or sparking parts inside. Do not use in areas where gasoline, paint, or flammable liquids are used or stored.



### CAUTION

While the heater is in use, the top center of the fireplace can get hot to the touch, and may cause serious injury or burns. Always supervise small children around the fireplace / heater. Do not place any cloth or decorations over the heater outlet of the fireplace, or otherwise obstruct the heater outlet of the fireplace, as this may cause a fire and serious injury may result,

## Safety Information (continued)

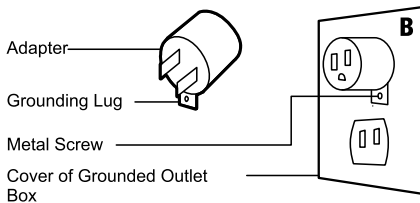
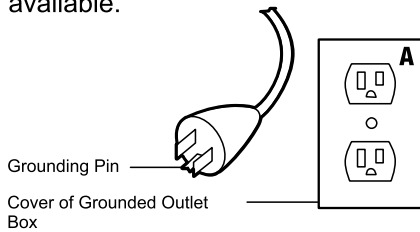
### GROUNDING INSTRUCTIONS



Improper connection of the equipment-grounding conductor can result in a risk of electric shock. Check with a qualified electrician or serviceman if you are in doubt as to whether the product is properly grounded. Do not modify the plug provided with the product. If it will not fit the outlet, have a proper outlet installed by a qualified electrician.

This product must be grounded. If it should malfunction or breakdown, grounding provides a path of least resistance for electric current to reduce the risk of electric shock. This product is equipped with a cord having an equipment-grounding conductor and a grounding plug. The plug must be plugged into an appropriate outlet that is properly installed and grounded in accordance with all local codes and ordinances.

This heater is for use on 120-volt circuits and has a grounded plug. An adapter is available from your local electronics store or online supplier for connecting three-blade grounding-type plugs to two-slot receptacles. The green grounding lug extending from the adapter must be connected to a permanent ground such as a properly grounded outlet box. The adapter should not be used if a three-slot grounded receptacle is available.

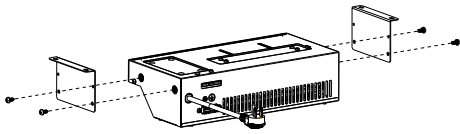


## Pre-installation

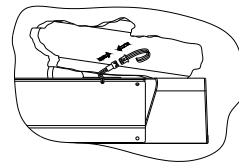
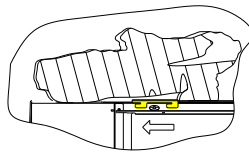
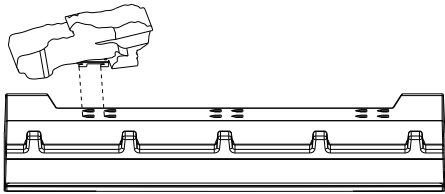
### TECHNICAL SPECIFICATION

Power Rating	1400W
Voltage	120V
Frequency	60Hz

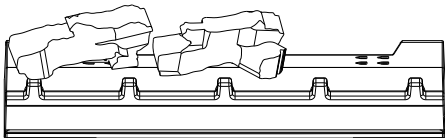
# Assembly



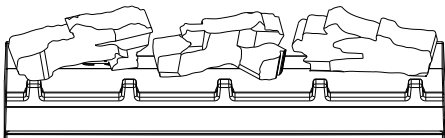
STEP 1 Use screws to lock Bracket A on the heating element.



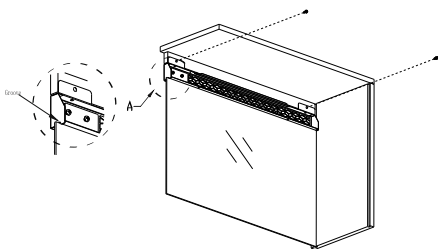
STEP 2 Install Logset 01 to the ember, then connect wiring terminal .



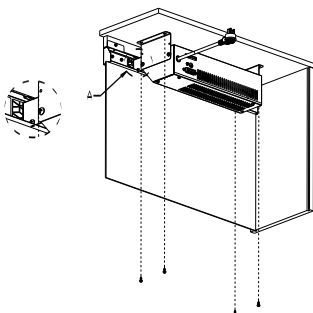
STEP 3 Install Logset 02 to the ember, then connect wiring terminal .



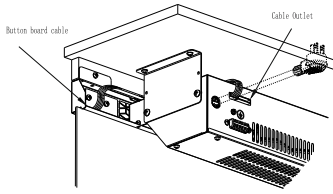
STEP 4 Install Logset 03 to the ember, then connect wiring terminal .



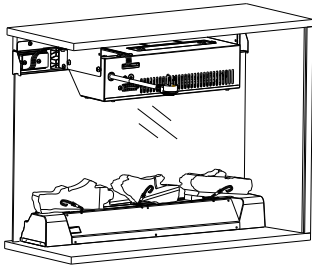
STEP 5 Carefully set the unit from the back of the mantel and center it in the opening. Check the alignment and attach the unit of the mantel by inserting screws through the drilled holes on the crossbar. The top of the glass is embedded in the bottom groove of the hardware frame.



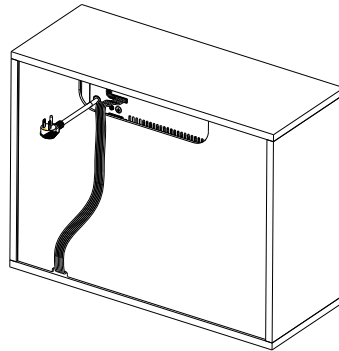
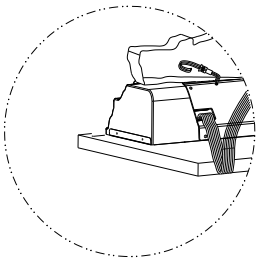
STEP 6 Insert the heater into the middle of the front panel and fix the heater to the top panel with screws.



STEP 7 Insert the button board cable into the outlet of the heater.



STEP 8 Place the assembled logset in front of the glass.



STEP 9 Plug the USB cable into the ember and loop it through the back board to plug in the heater.

---

**NOTE:**

Do not attempt to install the unit from the front of the mantel. It will not fit.

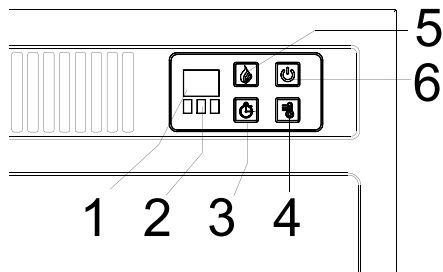
---

---

# Operation

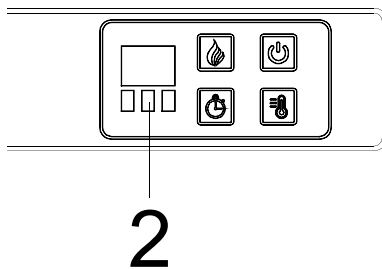
## Identifying the control panel

- The control panel is located on the top right corner of the fireplace/heater unit.
- The control panel contains the display unit (1), function indicator (2), timer function (3), heater control (4), flames control (5), and main power(6).
- The display unit (1) displays information about the flame level, time, and current temperature.



## Understanding the function indicator

- The function indicator (2) has three square LEDs - red, green, and blue. The red LED indicates that the Fahrenheit temperature heating function is running, the green LED indicates that the Celsius temperature heating function is running, and the blue LED indicates that the timer function is engaged.
- To the bottom of the three LEDs, is the infrared receiver module which communicates with the remote control to control the heater.

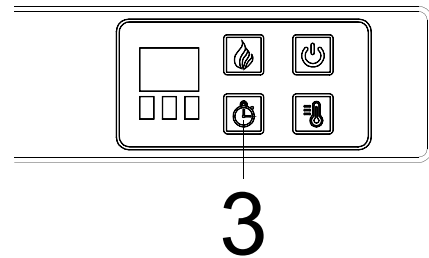


# Operation

## Using the timer function

The timer button (3) allows you to set the amount of time you want the fireplace / heater to run. The timer button (3) operates both the flames and the heater function. If the heater is operating when the timer is set, then the heater is on the timer. If the flames are operating, then the timer will control the flames. If both the heater and flames are operating with the timer set, then the timer controls both the flames and the heater. Pressing the button in sequence will set the timer for a set interval. This interval period is shown in the display (1), in blue. The set intervals are displayed in this table. The timer interval is set from the time the interval is selected. There is no clock function for turning the heater or flames on or off at a specific time.

Button Press	Timer Interval
1st press	30 Minutes
2nd press	1 Hour
3rd press	2 Hours
4th press	3 Hours
5th press	4 Hours
6th press	5 Hours
7th press	6 Hours
8th press	OFF



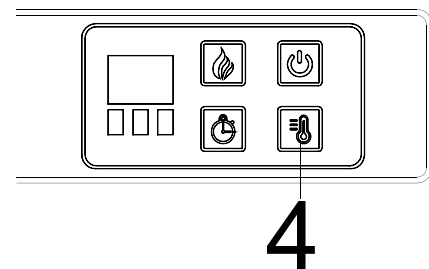
## Using the heater control

1. Press the heater on/off button (4) to turn on the heating function. When turned on, the heater will keep in "ON" mode automatically.
2. When the heater is on, long press the heater button for 5 seconds to enter the temperature setting adjustment. The LCD screen (1) will start flashing.
3. Press the heater button to cycle through the temperature level.
4. After choosing your heat level, wait for the LCD screen (1) to flash 2 times. Your temperature is now set.

Note: The heater will automatically pause after reaching the set temperature in your room. If the heater control is set to "ON" the heater will work nonstop until you shut it off manually.

Button Press	Celsius Temperature
1	17°C
2	18°C
3	...
...	21°C
6	22°C
7	23°C
8	...
...	26°C
11	27°C
12	ON

Button Press	Fahrenheit Temperature
1	62°F
2	63°F
3	64°F
...	...
11	72°F
12	73°F
13	74°F
...	...
20	81°F
21	82°F
22	ON



# Operation

Using the flame control

Press the flame control button (5) manually set flame color,. The flame color settings are as follows:

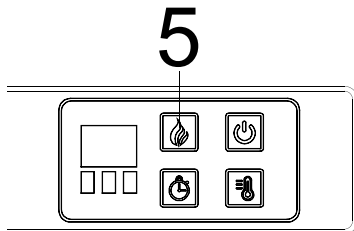
Button Press	Display Value	Flame Appearance	Button Press	Display Value	Flame Appearance
1st press	L1	Orange	5th Press	L5	Red&Orange
2nd press	L2	Blue	6th Press	L6	Red&Orange&Blue
3rd press	L3	Red	7th Press	L7	Cycle
4th press	L4	Red&Blue			

Brightness Control

Long press the flame button(5) for approximate 3 seconds to control the brightness of the flame display. The brightness setting are as follows:

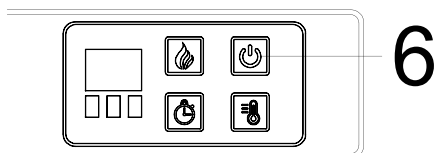
Display	Actual Brighiness
b5	Brightest
b4	Bright
b3	Medium
b2	Slightly Darker
b1	Darker

NOTE: Flame brightness is set to 100% by default.

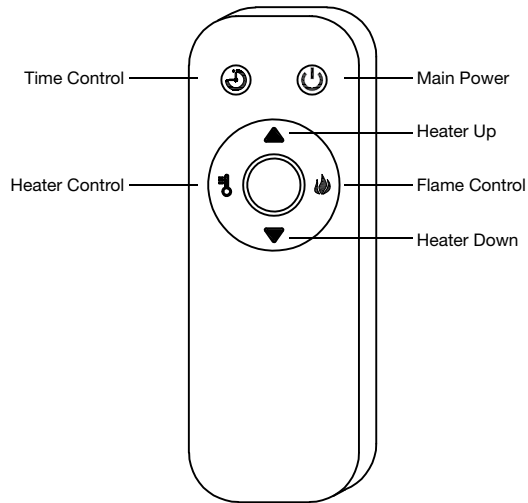


Using the main power button

•Press the power button(6) to turn the fireplace / heater unit on and off.  
Press the power button (6) once to turn the unit on. Press again to turn the unit off.



## Using the Remote Control



### Using the Remote control

The operation of the remote control buttons work the same as button on the control panel.

**NOTE:** The remote control cannot be used to switch between degree Fahrenheit and degree Celsius.

### Install the battery

For replacement batteries, use AAA batteries.

Press down and slide back cover off the battery compartment.

Insert two provided AAA batteries into the battery compartment making sure that the ends of the batteries with the negative(-) symbols are against the springs in the battery compartment.

Replace the battery compartment cover, making sure it snaps into position.



### WARNING

Do not ingest batteries.

Non-rechargeable batteries are not to be recharged.  
Batteries are to be inserted with the correct polarity.  
Exhausted batteries are to be removed from the product.  
Always purchase the correct size and grade of battery most suitable for the intended use.  
Replace all batteries of a set at the same time. .  
Clean the battery contacts and also those of the device prior to battery installation.  
Remove batteries from equipment when not used for an extended period of time.



**NOTE:**  
Battery disposal  
Please always dispose  
of batteries at a suitable  
recycling point.



---

## Care and Maintenance

 **WARNING**

Always disconnect from the power supply before cleaning the heater.  
First turn off the main power.  
Then remove the electrical plug from the wall outlet.

 **WARNING**

Do not use this fireplace insert if any part of it has been under water.  
Immediately call a qualified service technician to inspect the firebox and  
replace any part of the electrical system which has been underwater.

The blower motor and flame motor are pre-lubricated for a durable using time and need no further lubrication or maintenance. To remove any accumulation of dust or debris, the soft brush attachment of a vacuum cleaner should occasionally be used to clean the outlet grille of the fan heater.

Use a soft, clean cloth that will not scratch the surface when dusting.

Use a clean soft cloth dampened with warm water to clean the fireplace surface.

Do not use household or abrasive cleaners, as these products may damage the surface.

When cleaning the glass viewing screen use a non-abrasive damp cloth with liquid cleaner or soft soap

if necessary; Don NOT use cleaning powders or any other substance with abrasives since these substances will scratch glass.

Under no circumstances should this product be operated with a broken or chipped glass panel.

Do not strike or slam the glass.

In the event that your appliance is stained or otherwise damaged during use, we recommend that you call a professional to it.

When not in use please unplug the cord from the outlet to prevent any damage or accidents.

---

---

## Troubleshooting

Problem	Solution
The unit does not turn on.	Check that the unit is fully plugged into a standard 120 V outlet. Press the power button on the control panel.
Flame effect is on, but there is no flame effect.	Open the top and back panels to check if the flame spindle has fallen off from the spindle motor.
The heater does not blow warm air.	Make sure the set temperature is higher than the room temperature.
The heater does not work.	Turn all switches to the "OFF" position and unplug the unit from the wall outlet for 5 minutes. After 5 minutes plug the unit back into the wall outlet, and operate as normal.
Remote control does not work.	Use it closer to the unit / change battery.

---