

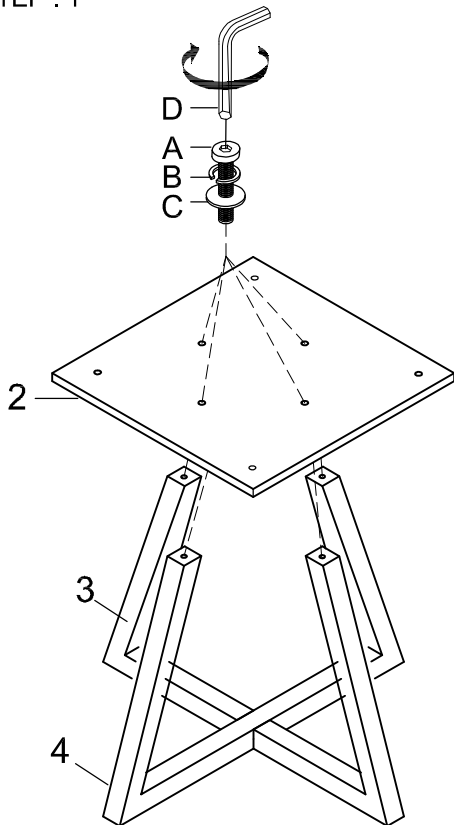
Assembly Instruction for DINING TABLE CXY2368-01

PART LIST			
No.	PART DESC	CODE.	Q'TY
1	TOP		1
2	CONNECT PANEL		1
3	LEG 1		1
4	LEG 2		1

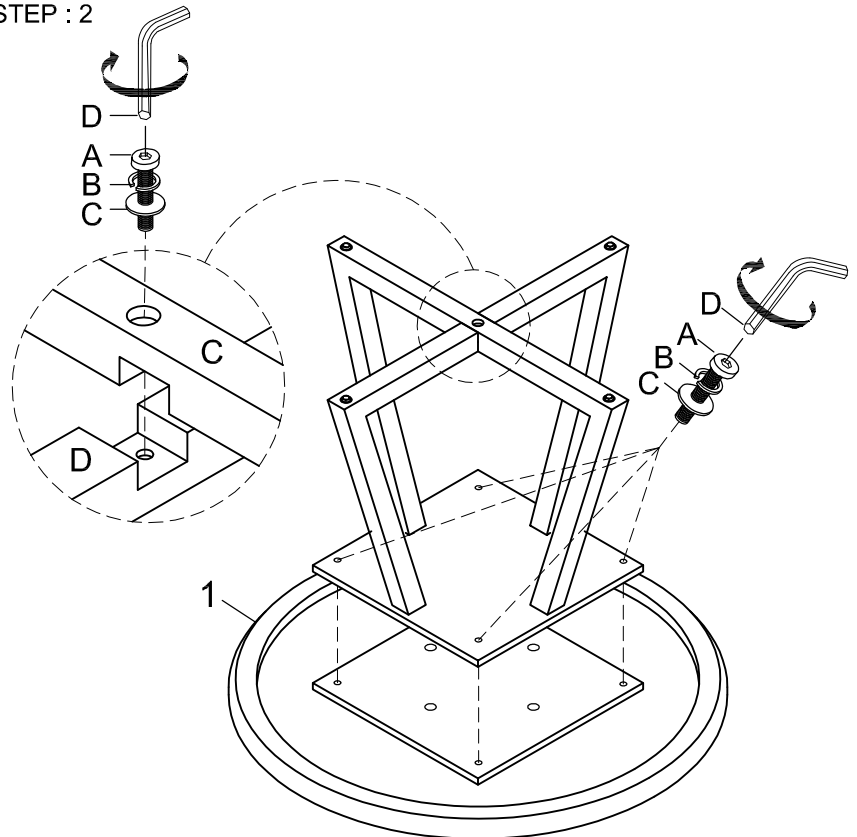
HARDWARE LIST			
NO.	HARDWARE DESC	CODE.	Q'TY
A	ALLEN BOLT (5/16"x35mm)		9
B	SPRING WASHER(5/16")		9
C	FLAT WASHER (5/16"x 22mm)		9
D	ALLEN KEY(M5)		1

NOTES : Do not fully tighten any bolts until last step.

STEP : 1



STEP : 2



COMPLETED

