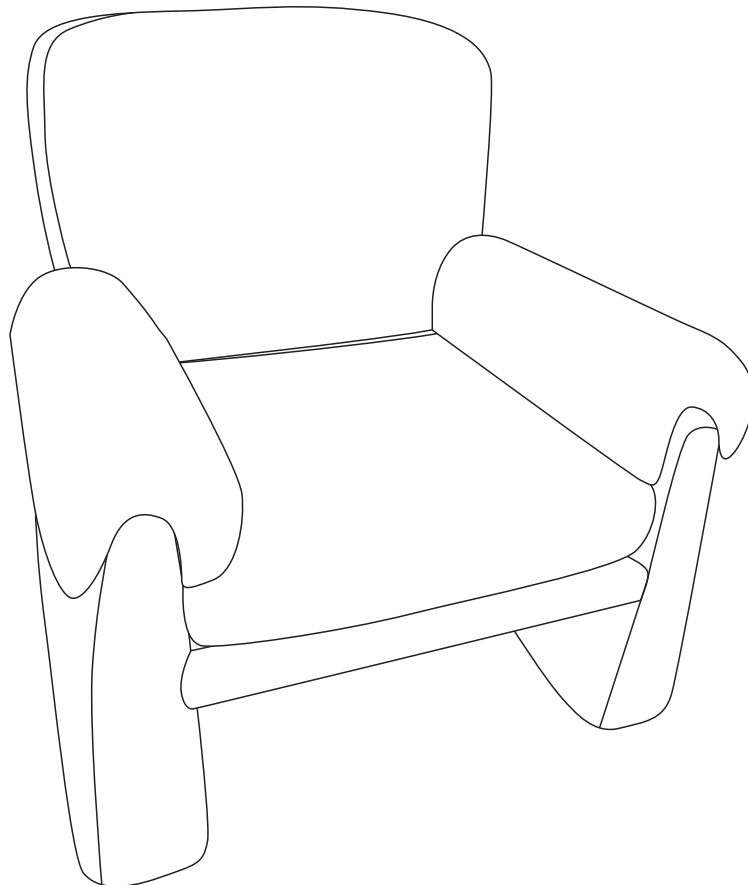


Assembly Instructions

Friendly Reminder:

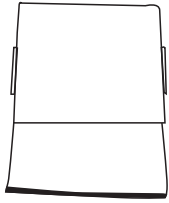
1. **Patience with Cushions:** The cushions are vacuum-sealed and may look wrinkled at first—don't worry! Give them up to 72 hours to air out, and they'll plump up to their full, comfy shape.
2. **Build First, Unpack After:** For the easiest setup, assemble the sofa frame completely before unsealing the compressed cushions.
3. **Need Help?** If any parts are missing or damaged (please take photos for reference), feel free to contact us—our support team will assist you promptly!

Thanks for choosing us—Your comfort zone starts here!



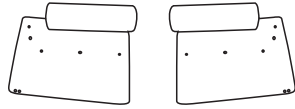
PARTS LIST

A



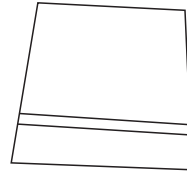
1pc

B



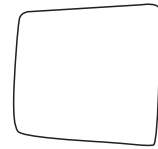
2pcs

C



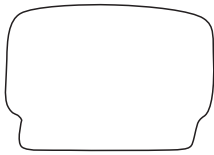
1pc

D



1pc

E



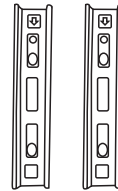
1pc

F



1pc

L



2pcs

HARDWARE

G

M8x50mm



6pcs

H

M6x20mm



8pcs

I



6pcs

J



6pcs

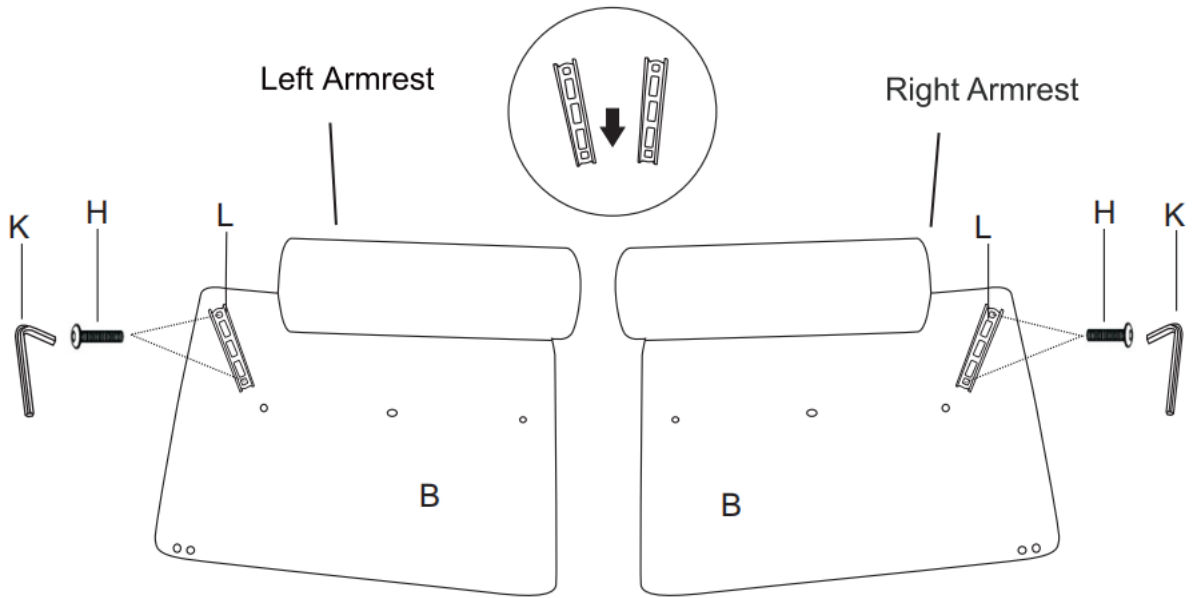
K



1pcs

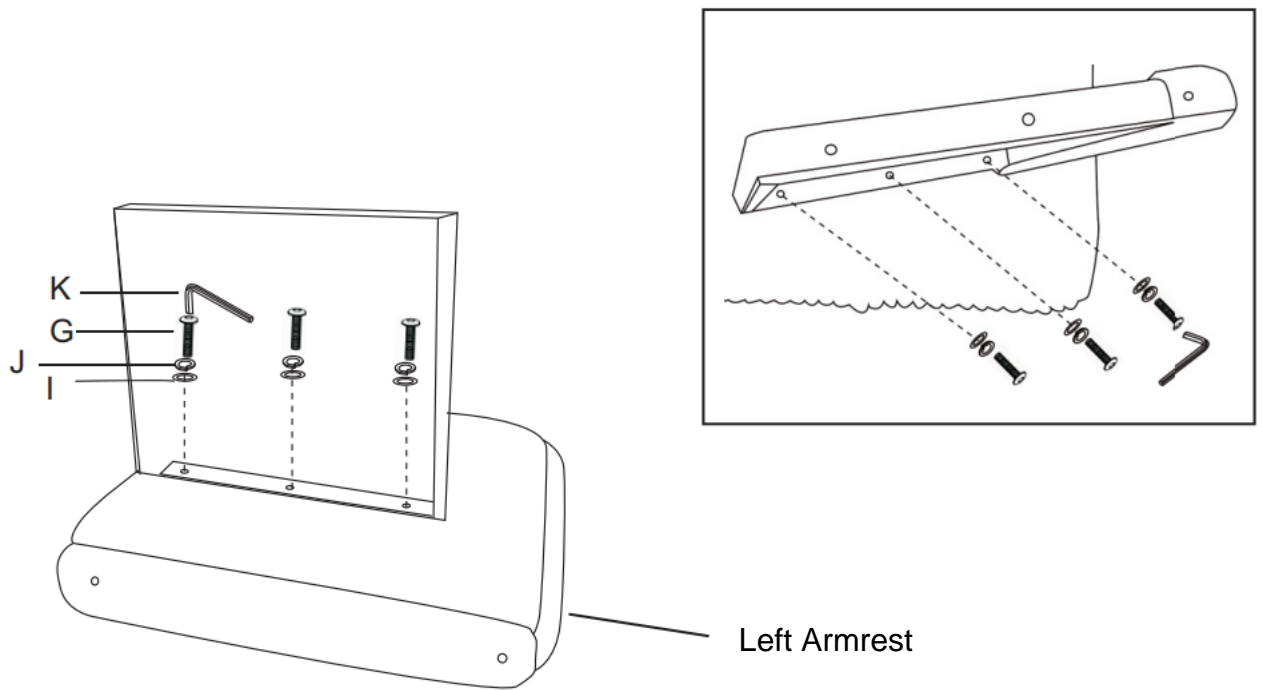
STEP 1:

Use screw (H) to assemble the metal insert (L) onto both sides of the armrests.



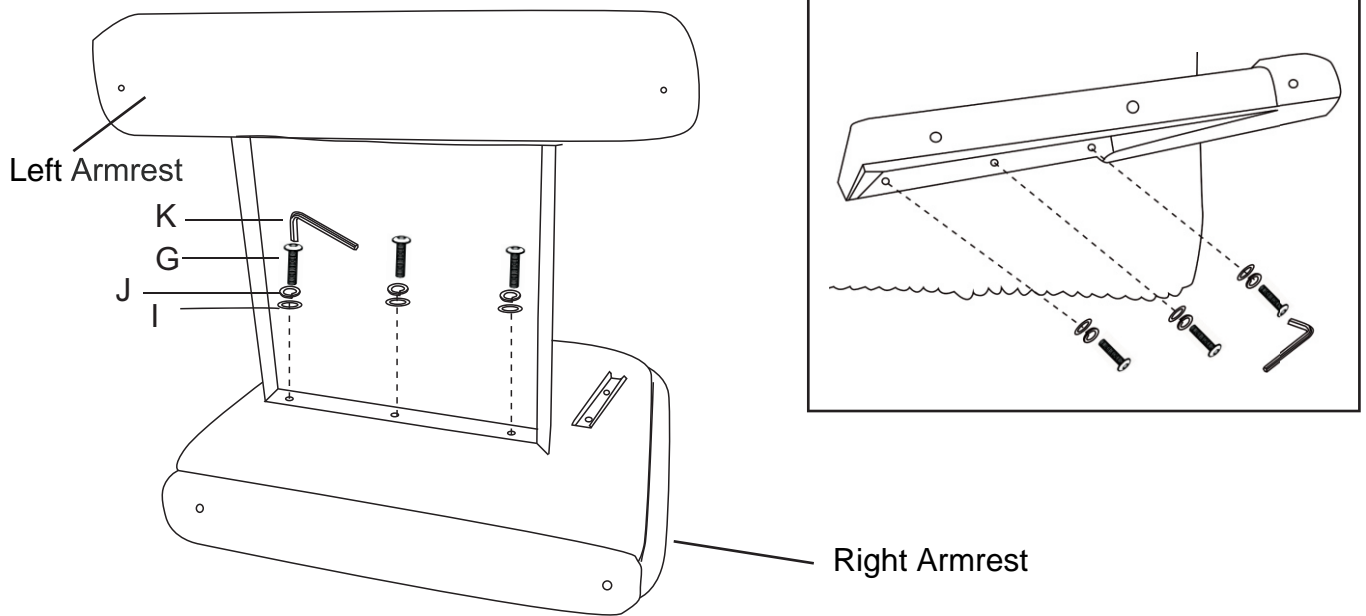
STEP 2:

Attach the seat frame to the left armrest using screw G with washers I and J. Tighten the screws about 70 – 80%, do not fully tighten.



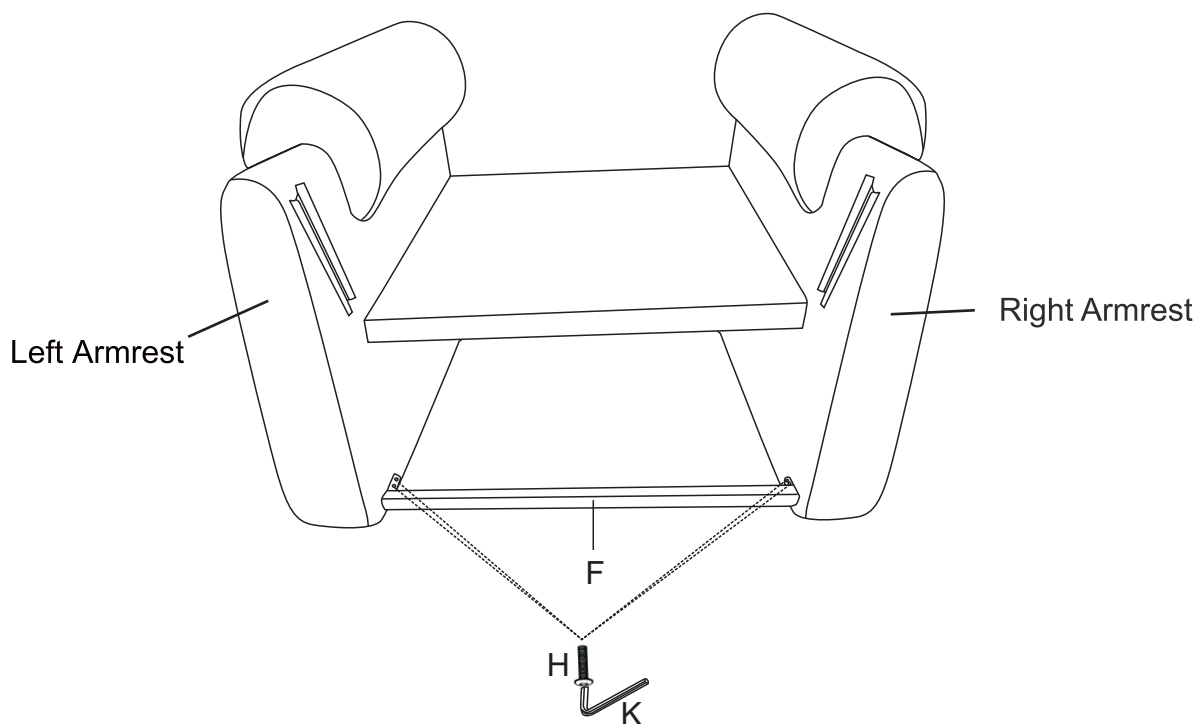
STEP 3:

Attach the seat frame to the right armrest using screw G with washers I and J. Tighten the screws about 70 – 80%, do not fully tighten.



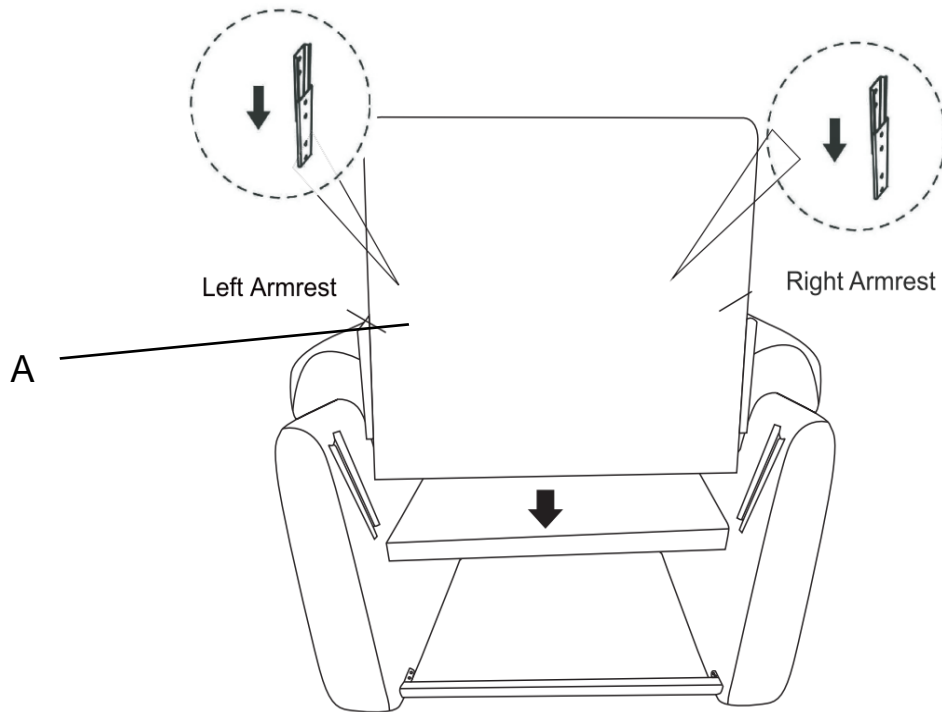
STEP 4:

Use screw H to attach the metal crossbar F between the two armrests.



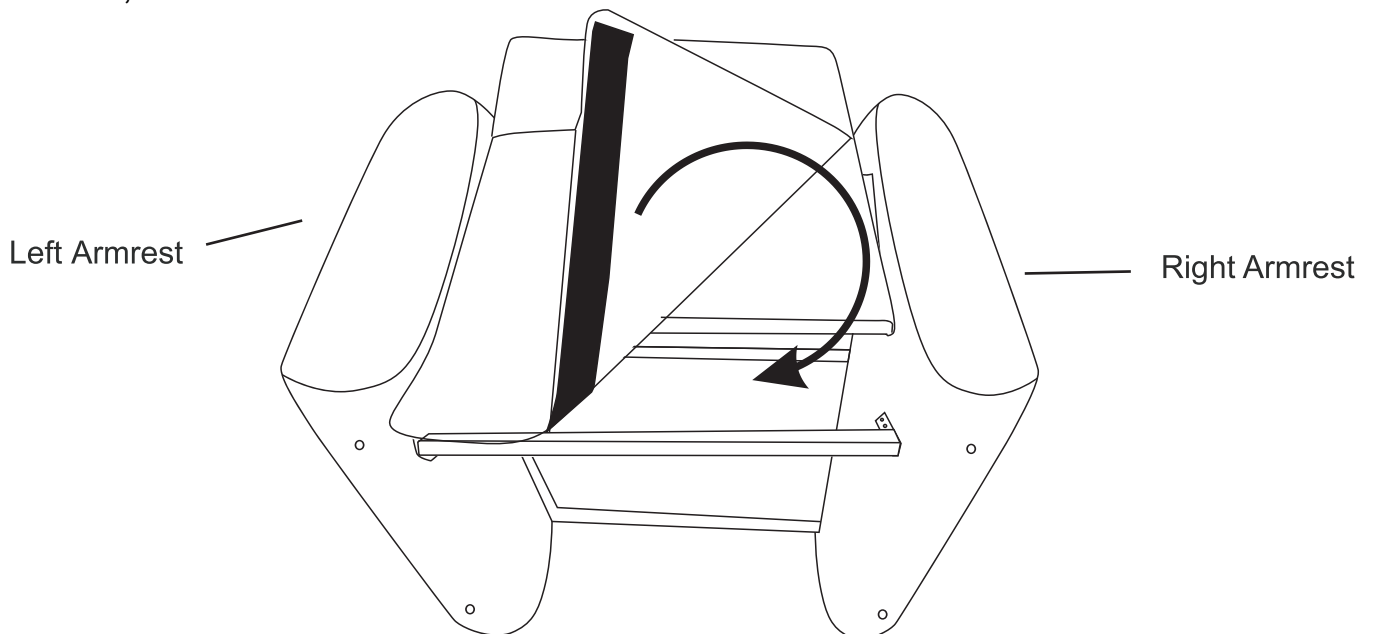
STEP 5:

Align the metal insert on both the backrest and armrests, insert them into position, and secure them firmly.



STEP 6:

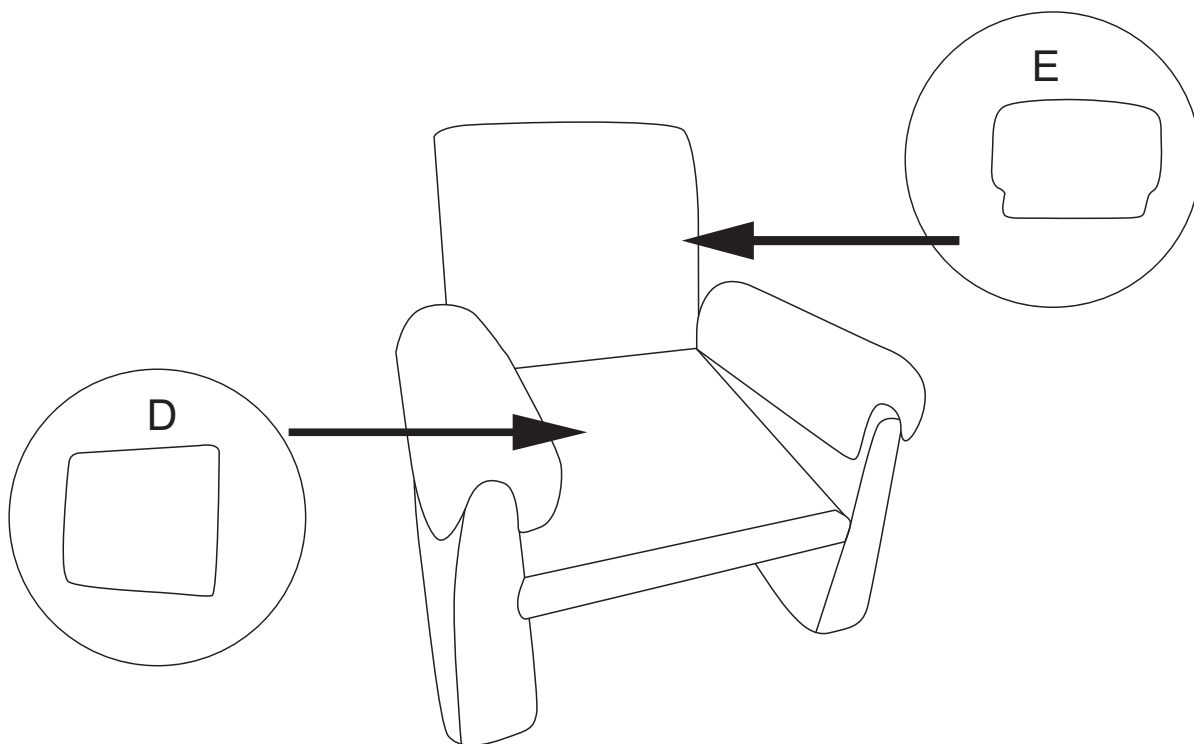
Stretch the backrest fabric tightly and adhere it to the metal crossbar to ensure a smooth, secure fit.



After making sure all screws are in the correct positions, go back and fully tighten them. This makes assembly easier and safer!

STEP 7:

Place the seat cushion and back cushion on the chair to complete the assembly.



Assembly Completed

Tada! Your chair is now fully assembled – time to chill out!

