

INSTRUCTIONS



Product Name: Coat racks

Country of origin: Made in China

Warning:

Prevent cargo from tipping over and crushing onto people.

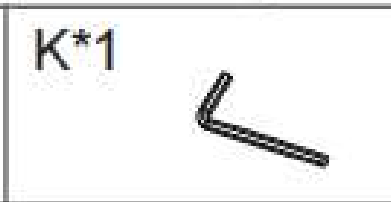
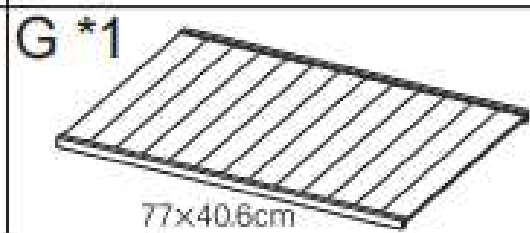
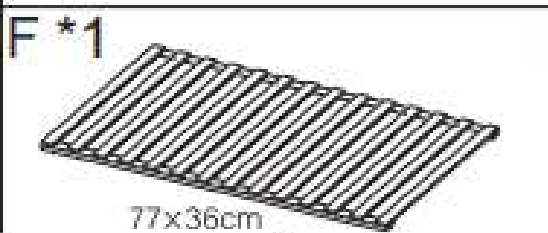
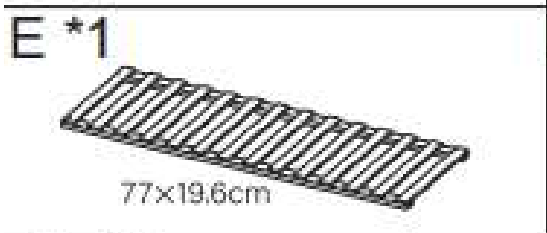
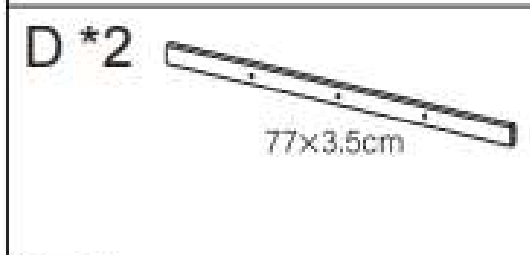
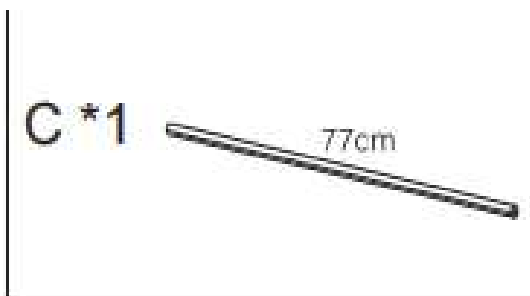
WARNING

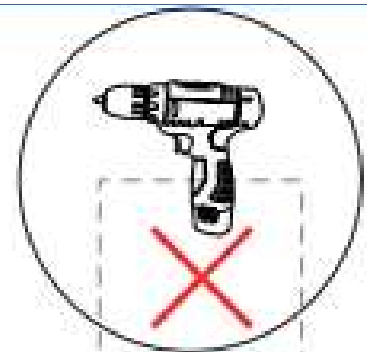
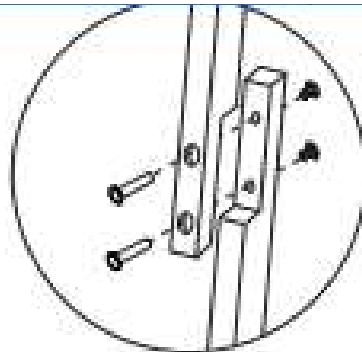
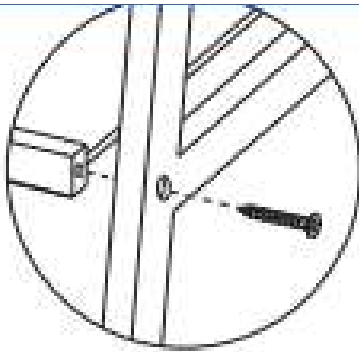
To prevent injury or tipping:

This clothes rack **MUST** be used on a flat, stable floor only. Do not overload the rack; evenly distribute weight across hanging rods and shelves.

Never allow children to climb, hang, or swing on the rack.

Keep the rack away from heat sources, sharp objects, and direct sunlight.



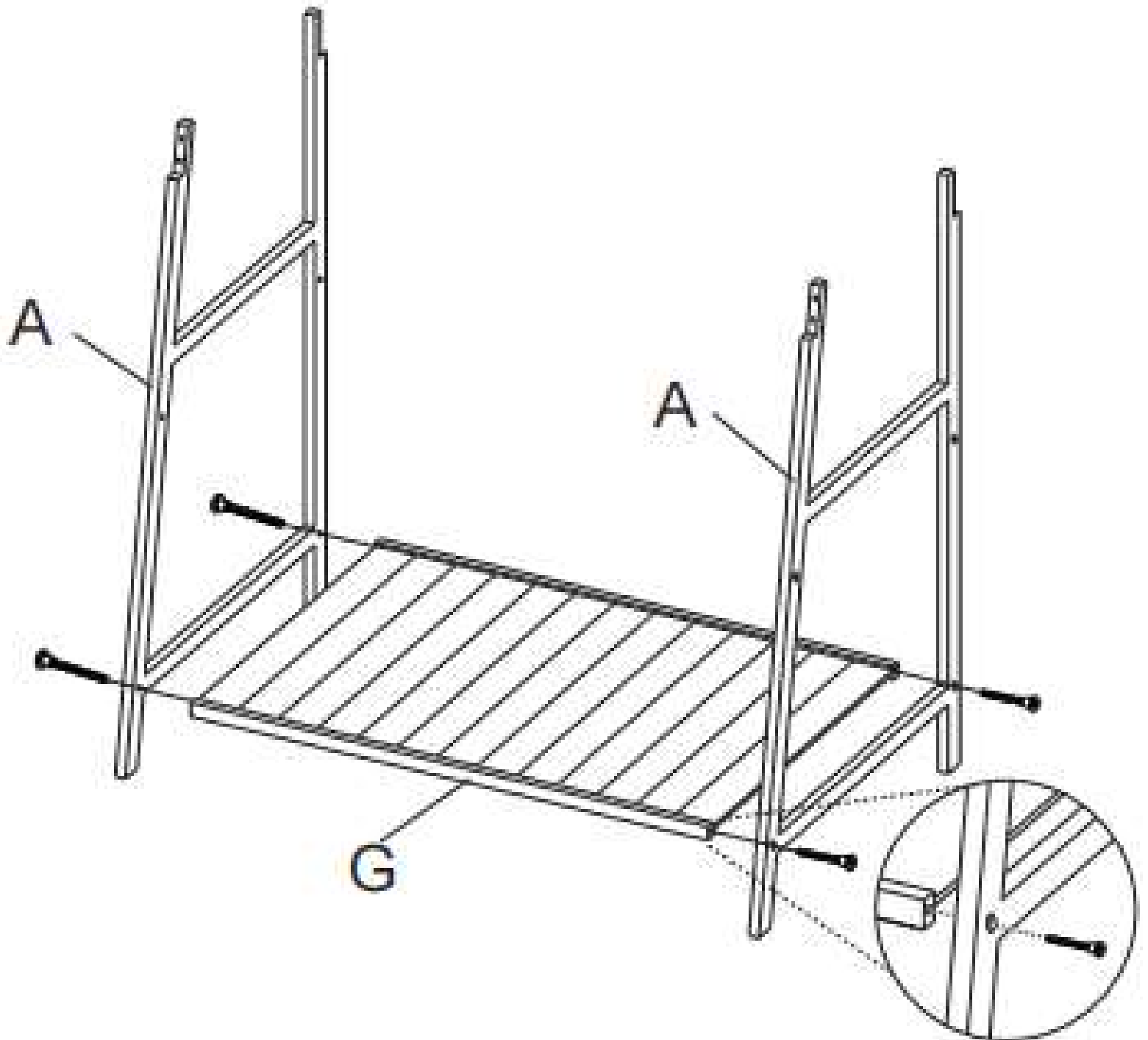


1. Do not tighten the screw when it is installed. It is best to tighten it one by one after all the installation is finished.
2. Do not tighten the screw, or the product may burst.

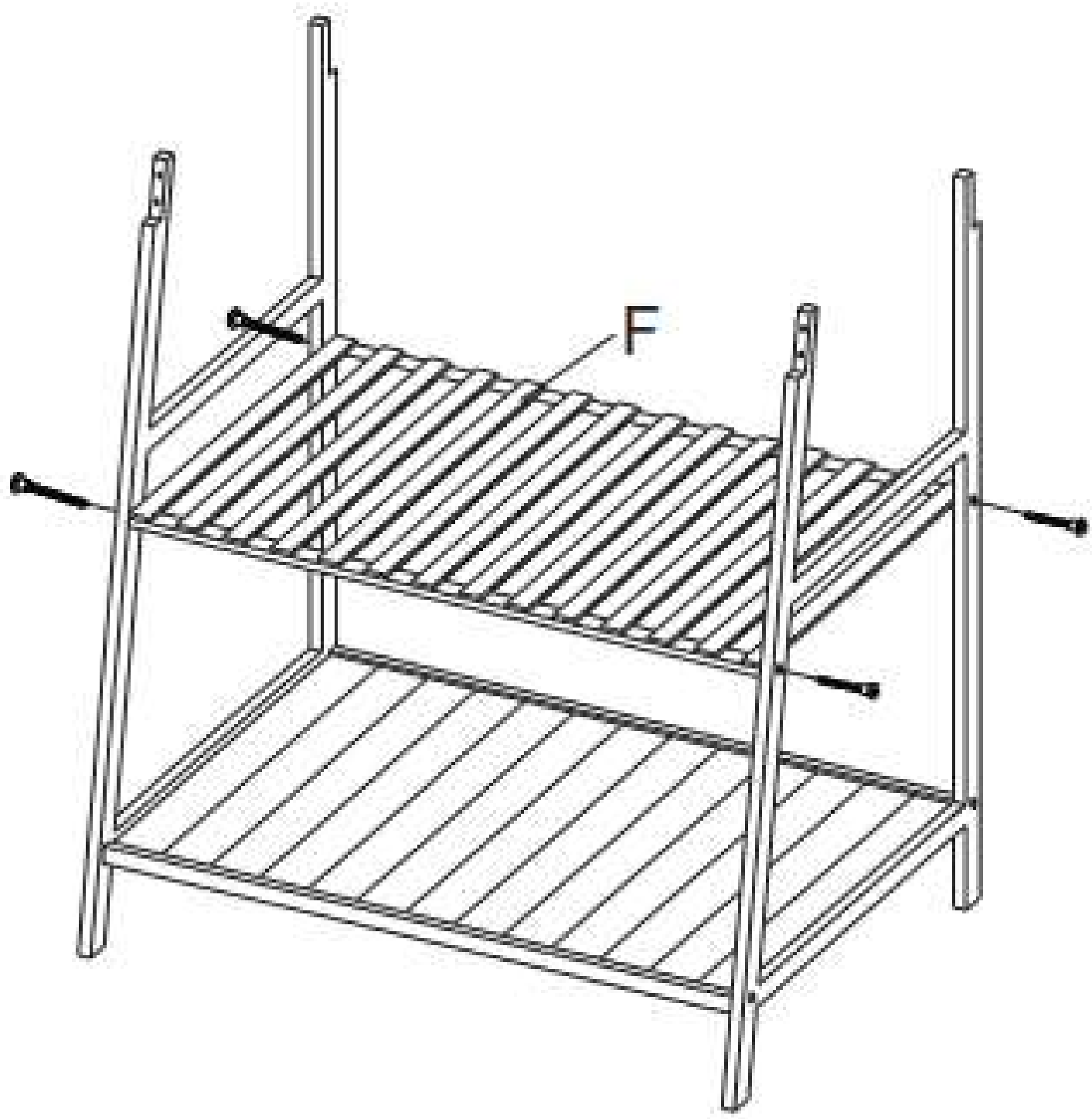
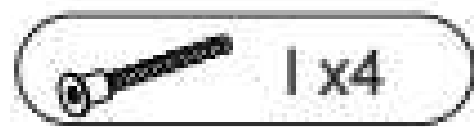
1



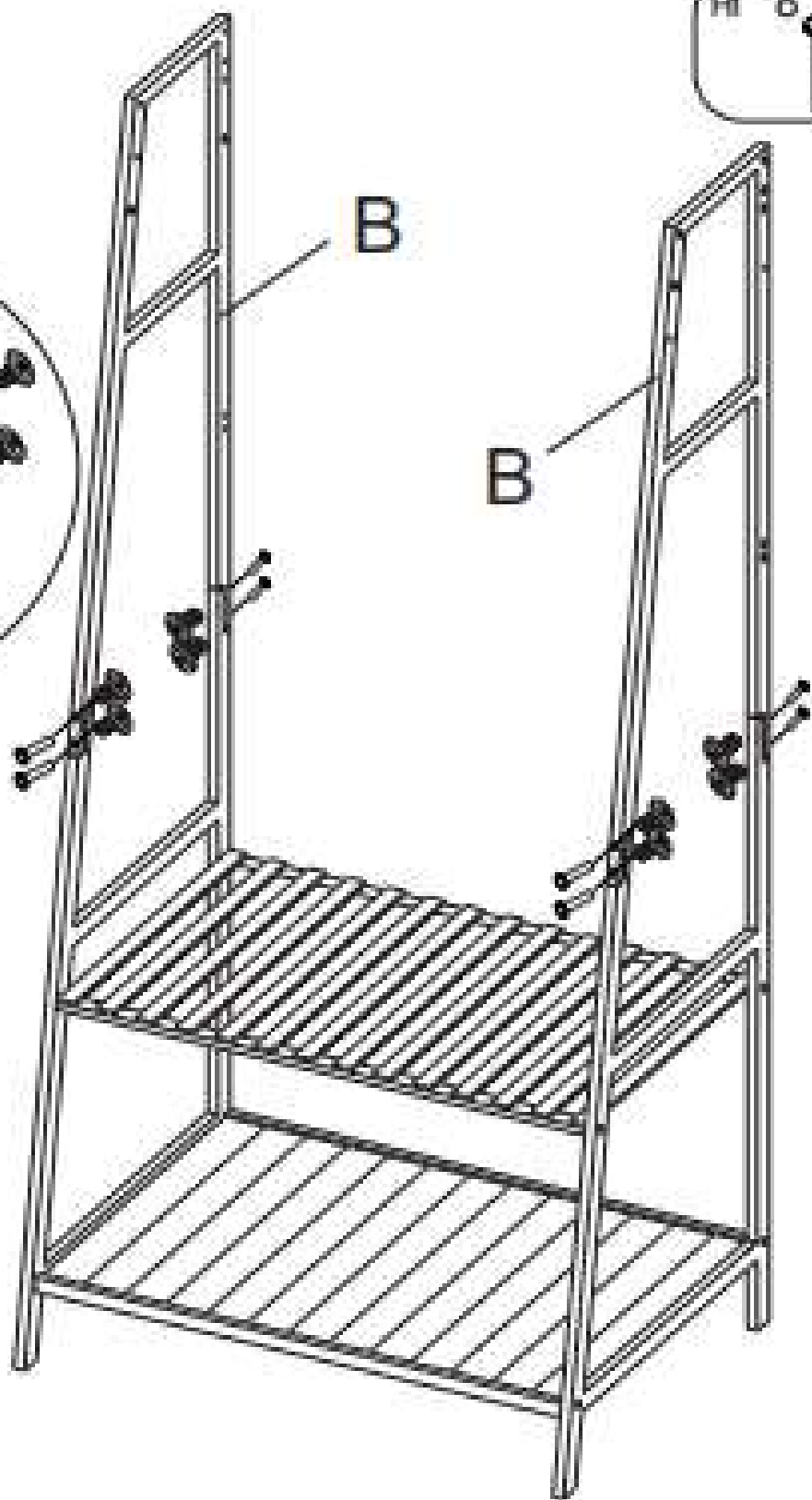
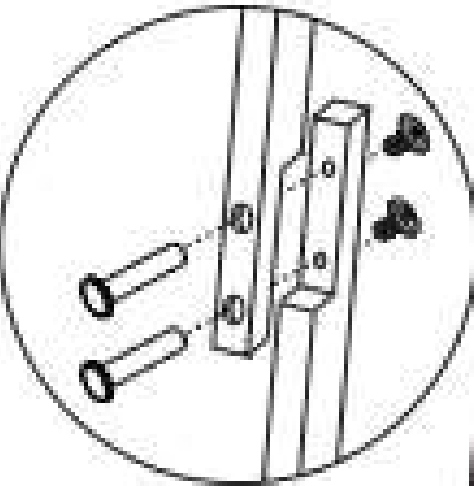
1 x 4



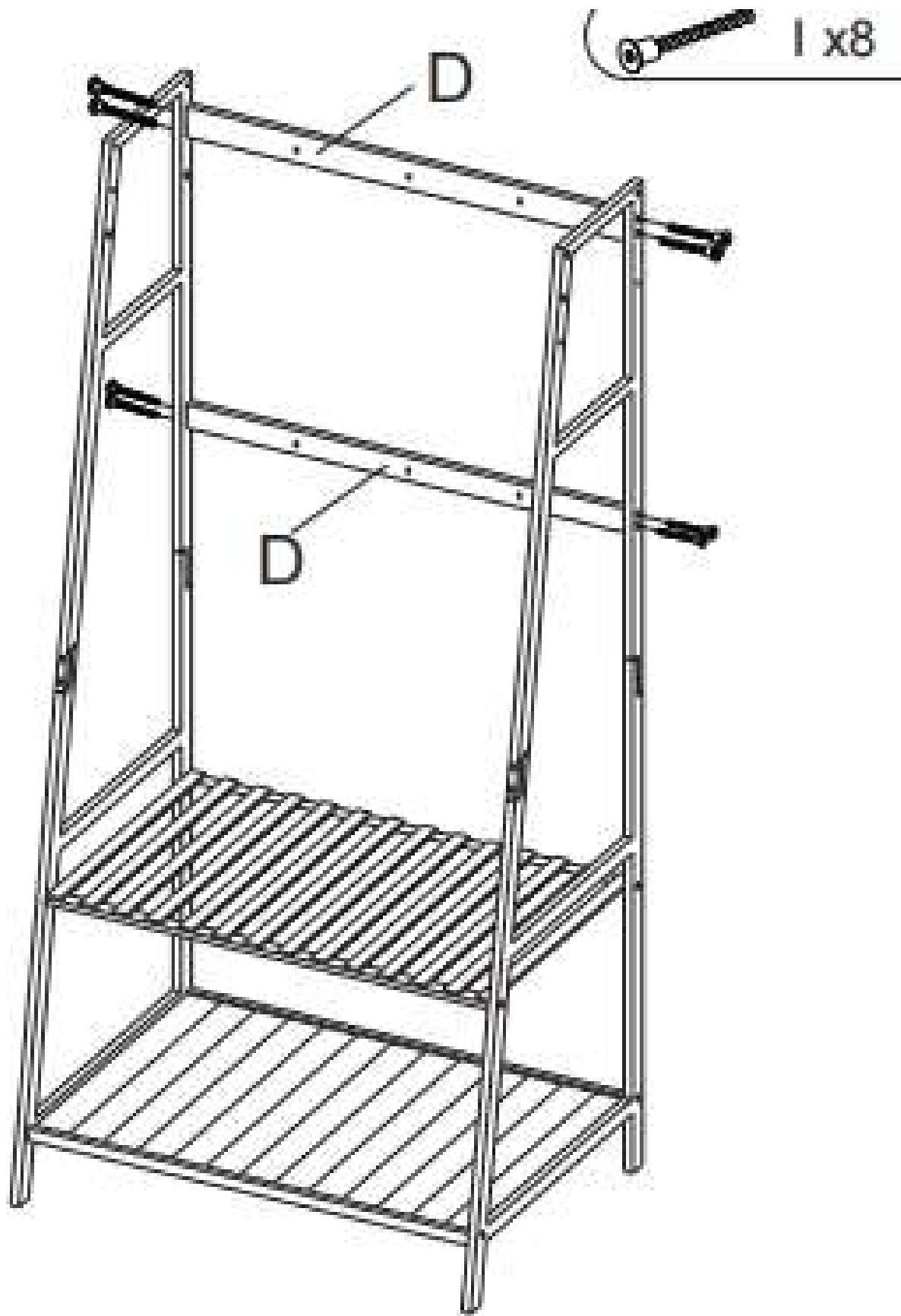
2



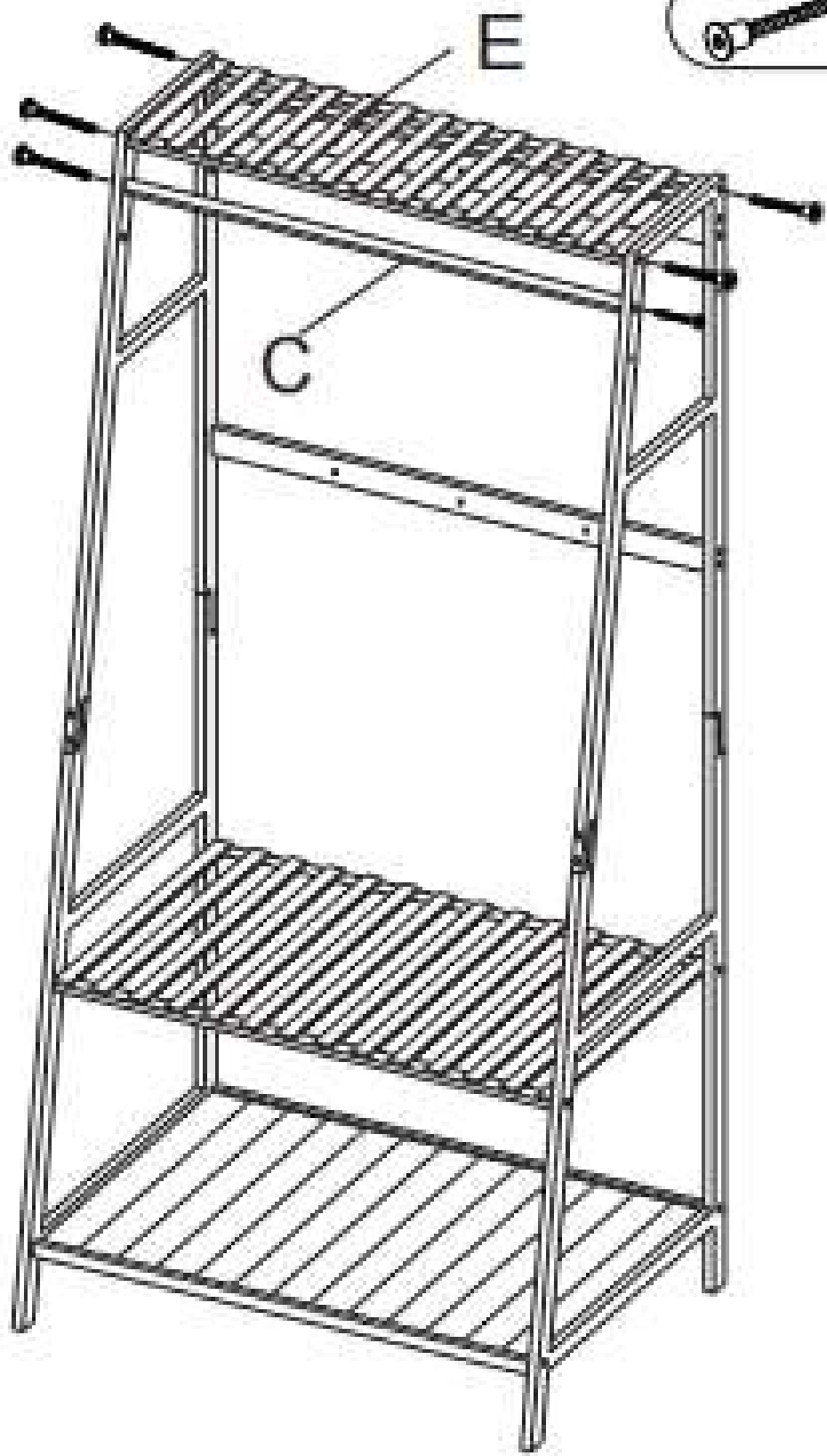
3



4



5



6

