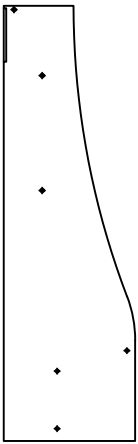
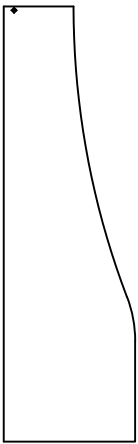
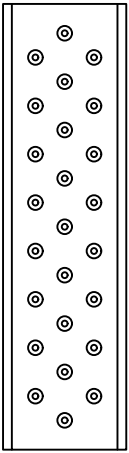
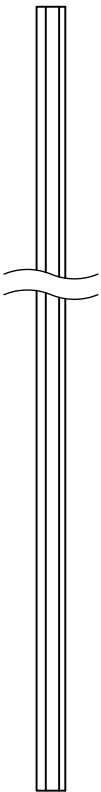
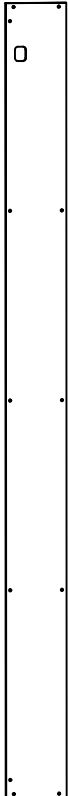
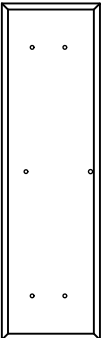
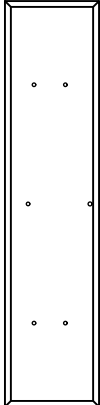
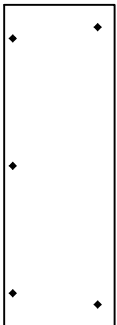
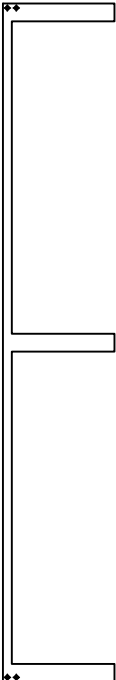

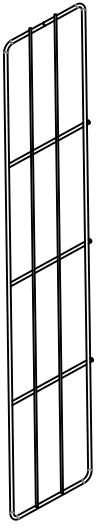
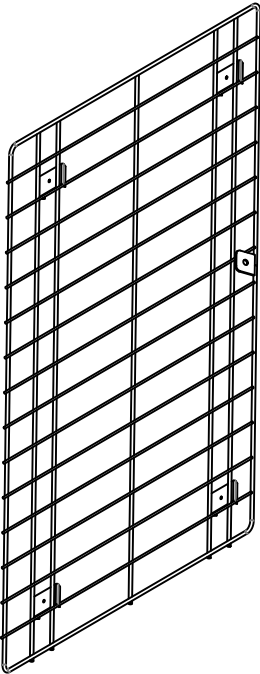

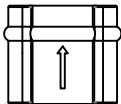

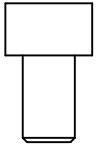
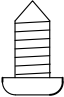

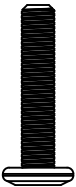
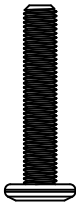


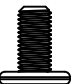
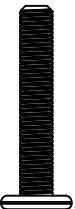


PRODUCT GUIDE AND INSTALLATION MANUAL

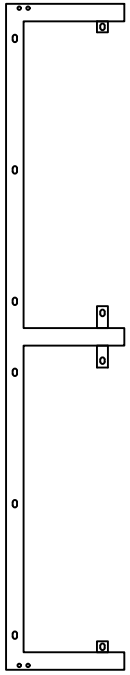
Parts List:

								
(A1) 1pcs	(A2) 1pcs	(B) 1pcs	(C) 1pcs	(D) 1pcs	(E) 2pcs	(F) 2pcs	(G) 2pcs	(H) 1pcs

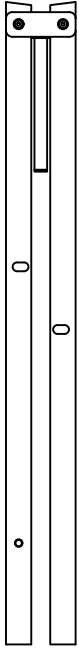
						
(Z2) 8pcs	(Z3) 4pcs	(Z4) 4pcs	(Z5) 16pcs	(Q1) 42pcs	(Z6) 18pcs	(Z8) 4pcs

							
M4x15mm	M6x15mm	M6x30mm	M6x40mm	M6x45mm	M6x55mm	M8x15mm	M8x35mm
(V) 16pcs	(T1) 24pcs	(T2) 6pcs	(T3) 4pcs	(T4) 4pcs	(T5) 4pcs	(Y3) 4pcs	(Y1) 8pcs

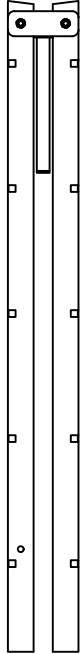
Parts List:



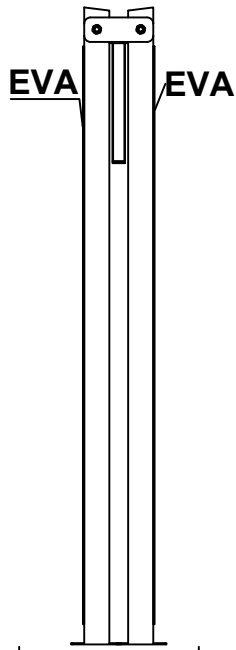
I 1pcs



J 1pcs



K 1pcs



L 1pcs

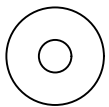


M 6pcs



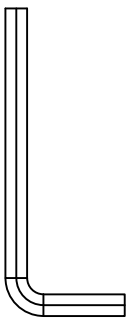
N 4pcs

Double-sided tape



Ø6xØ18mm

X 8pcs



KEY 4

W 1pcs

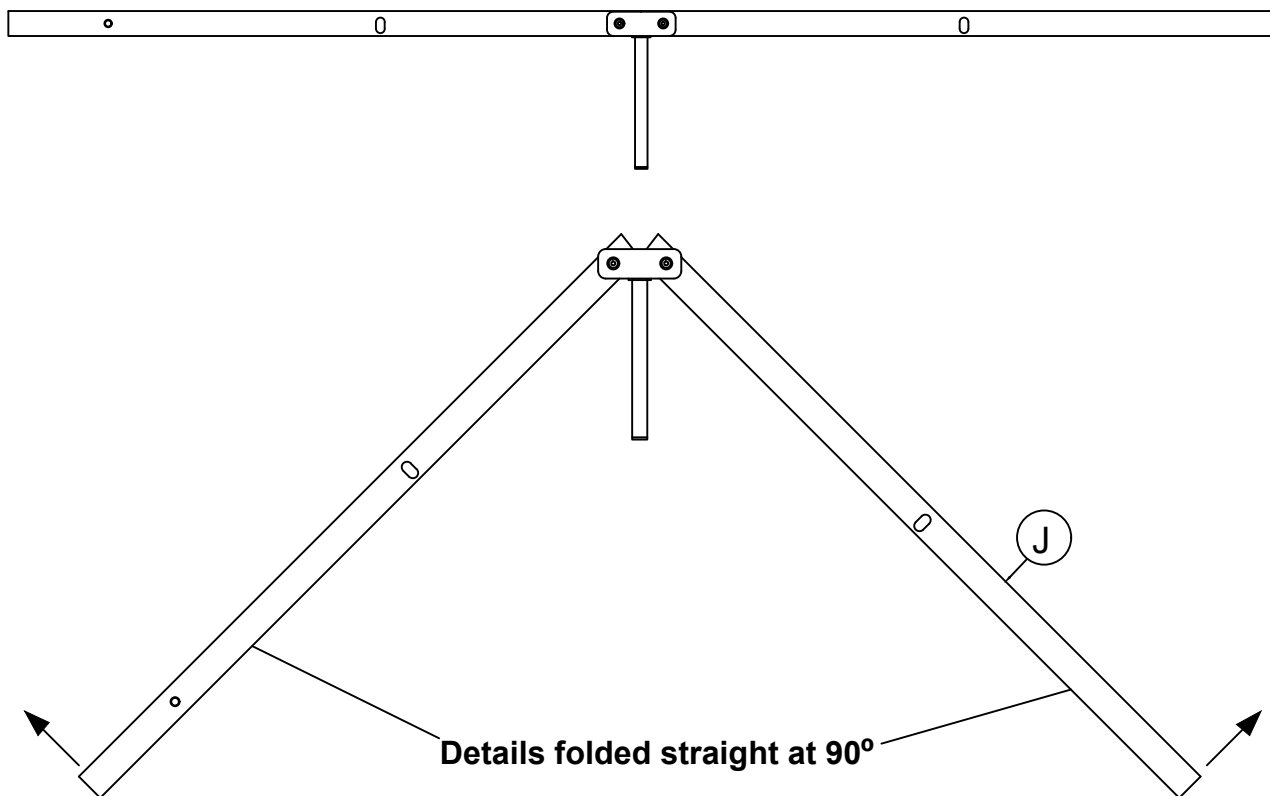


U1 1pcs

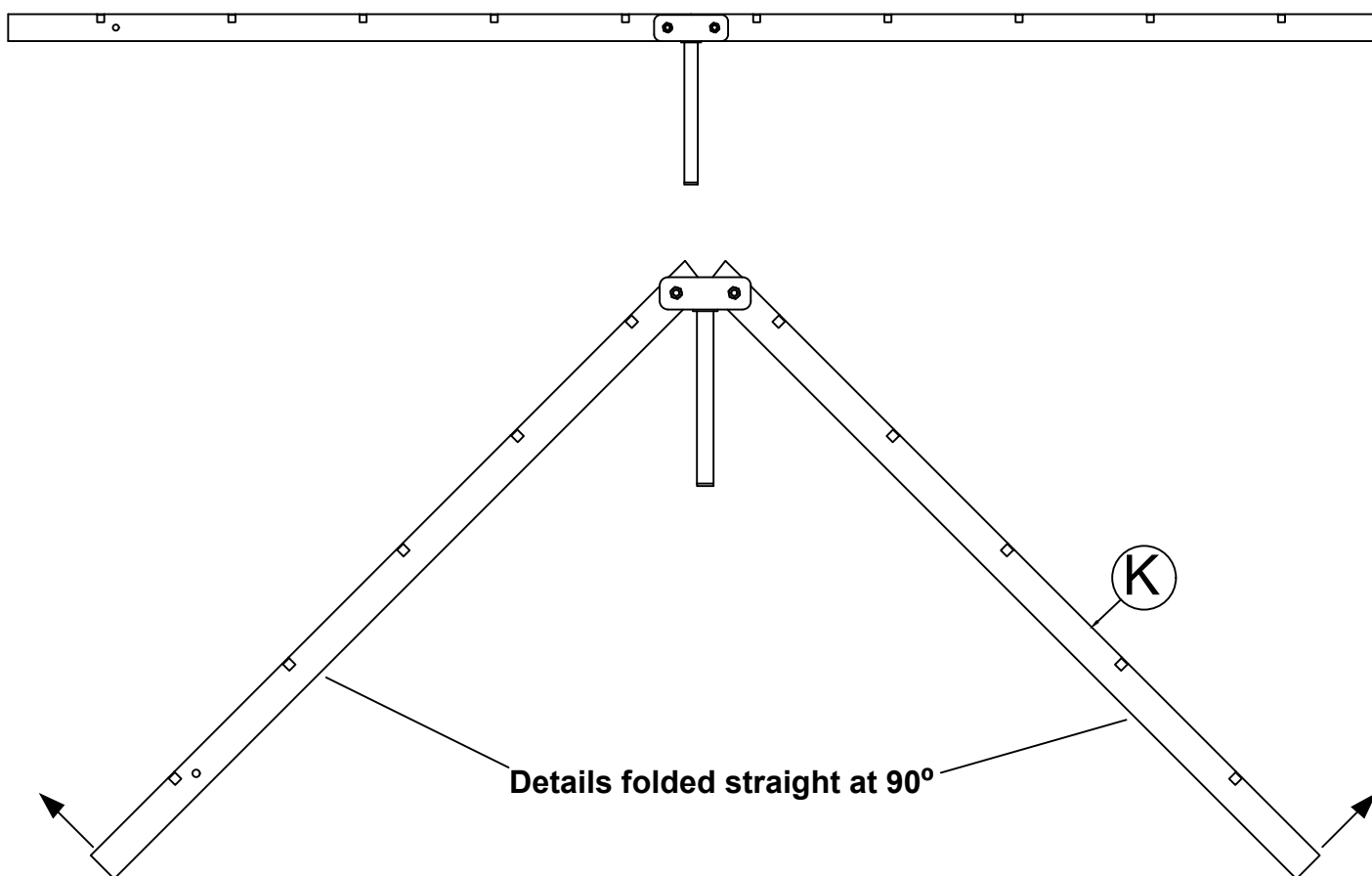


U3 1pcs

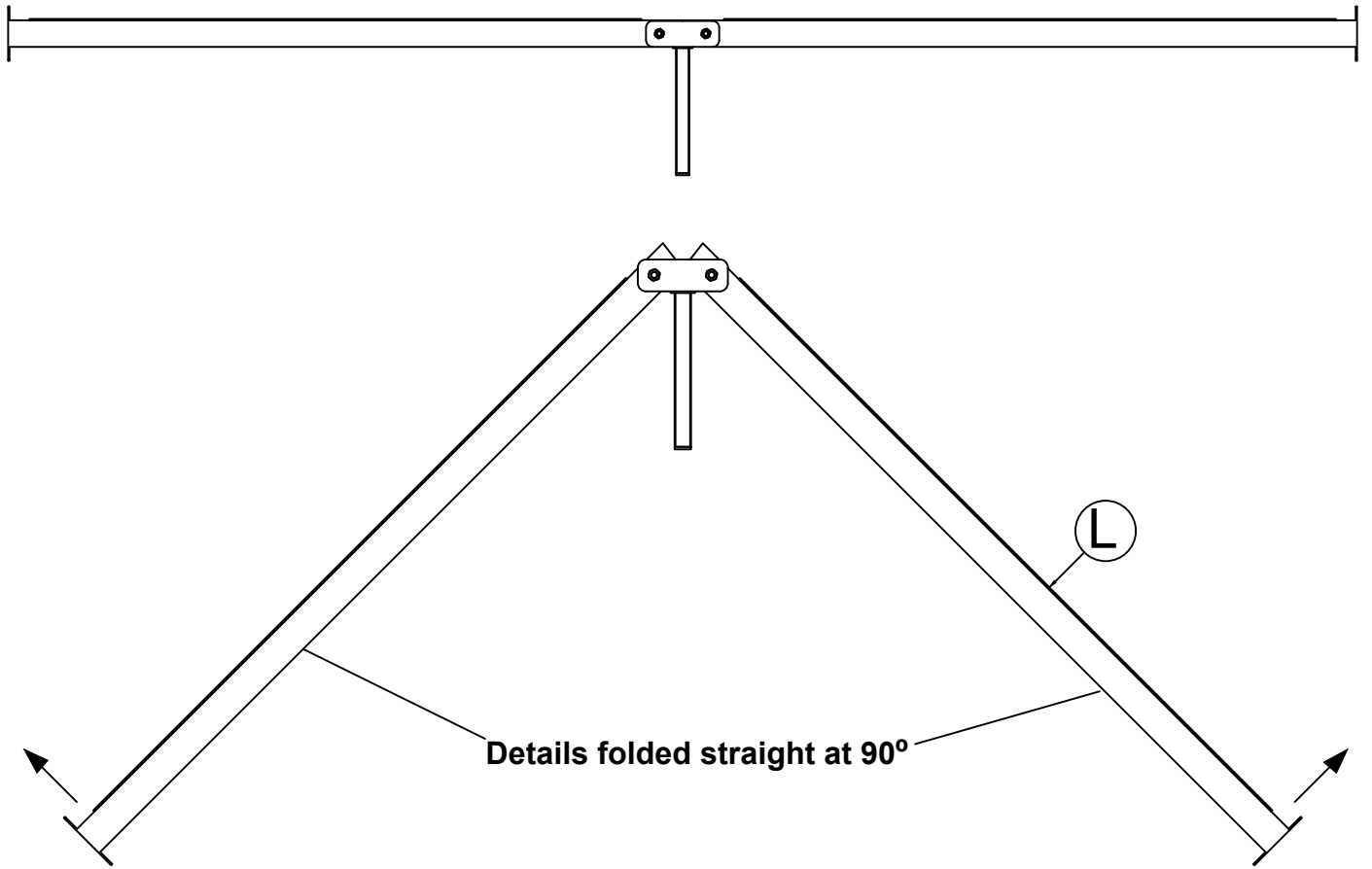
Step 1



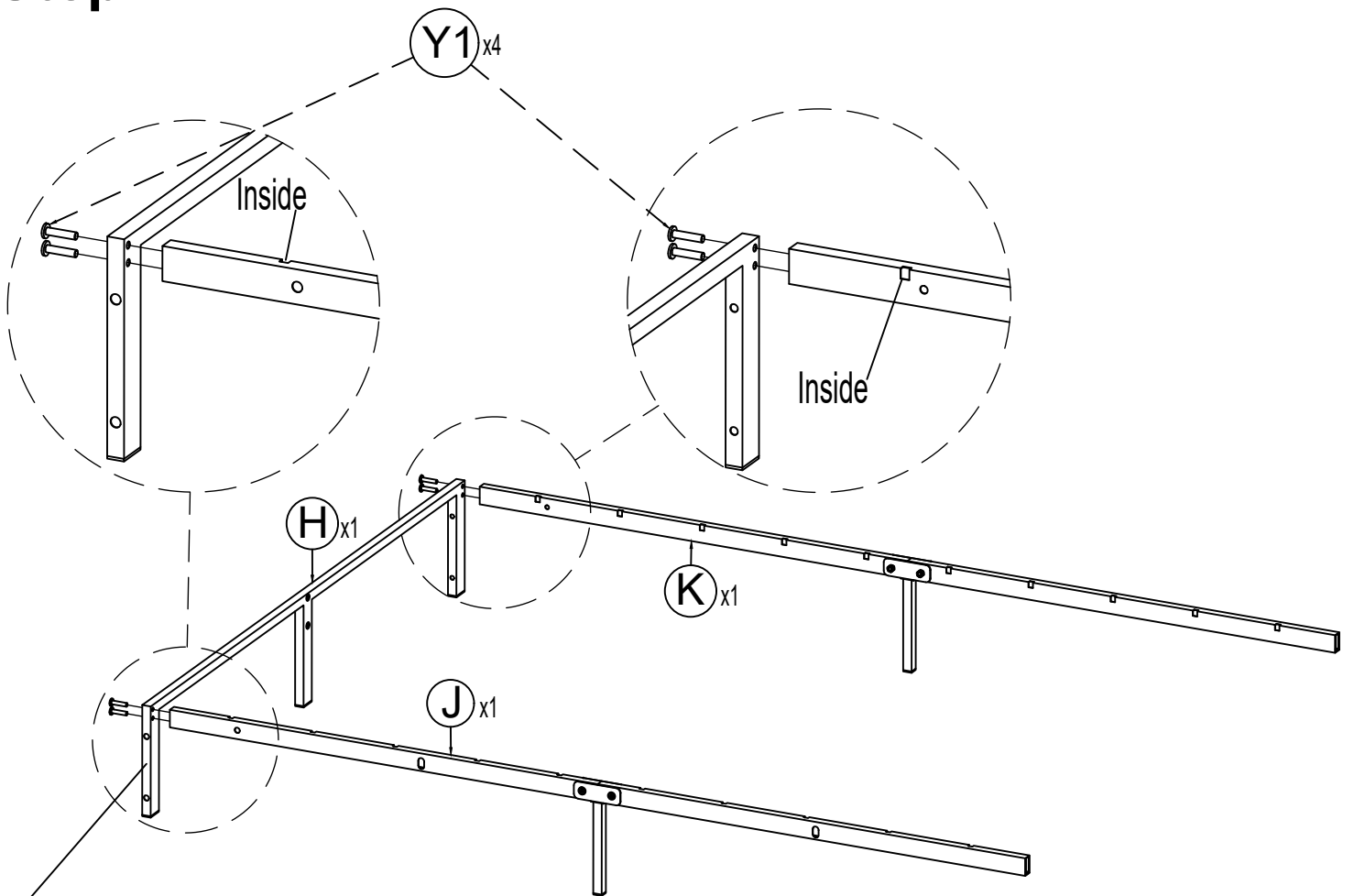
Step 2



Step 3

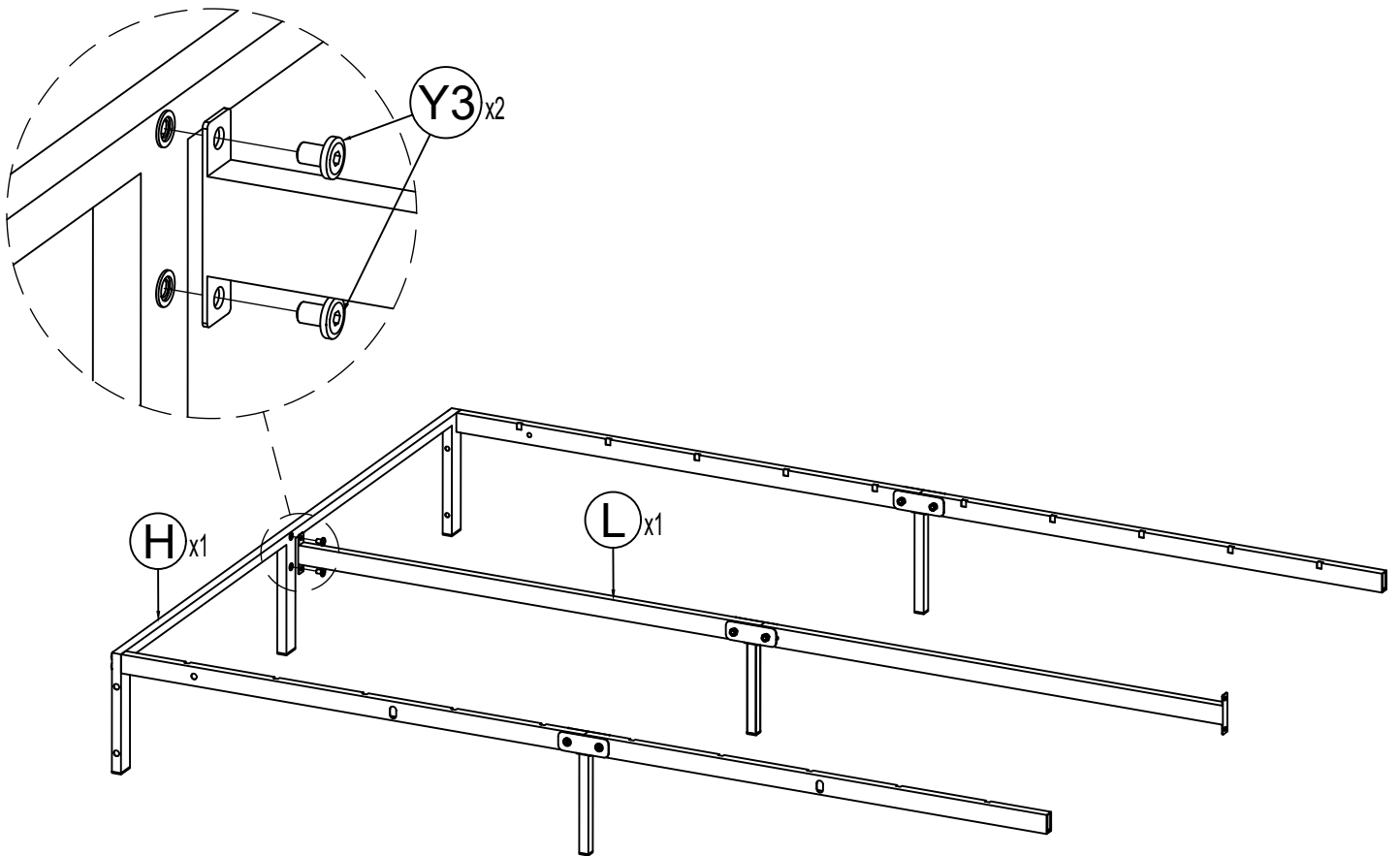


Step 4

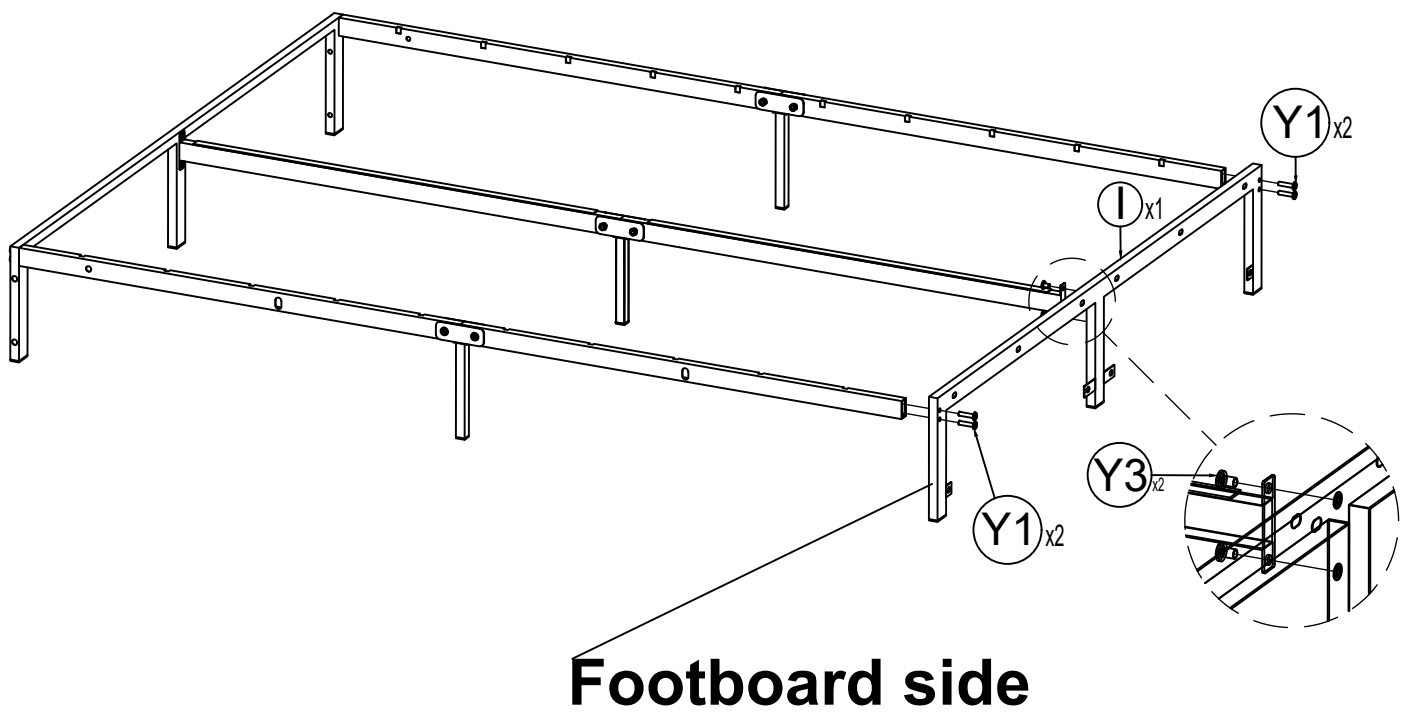


4 Headboard side

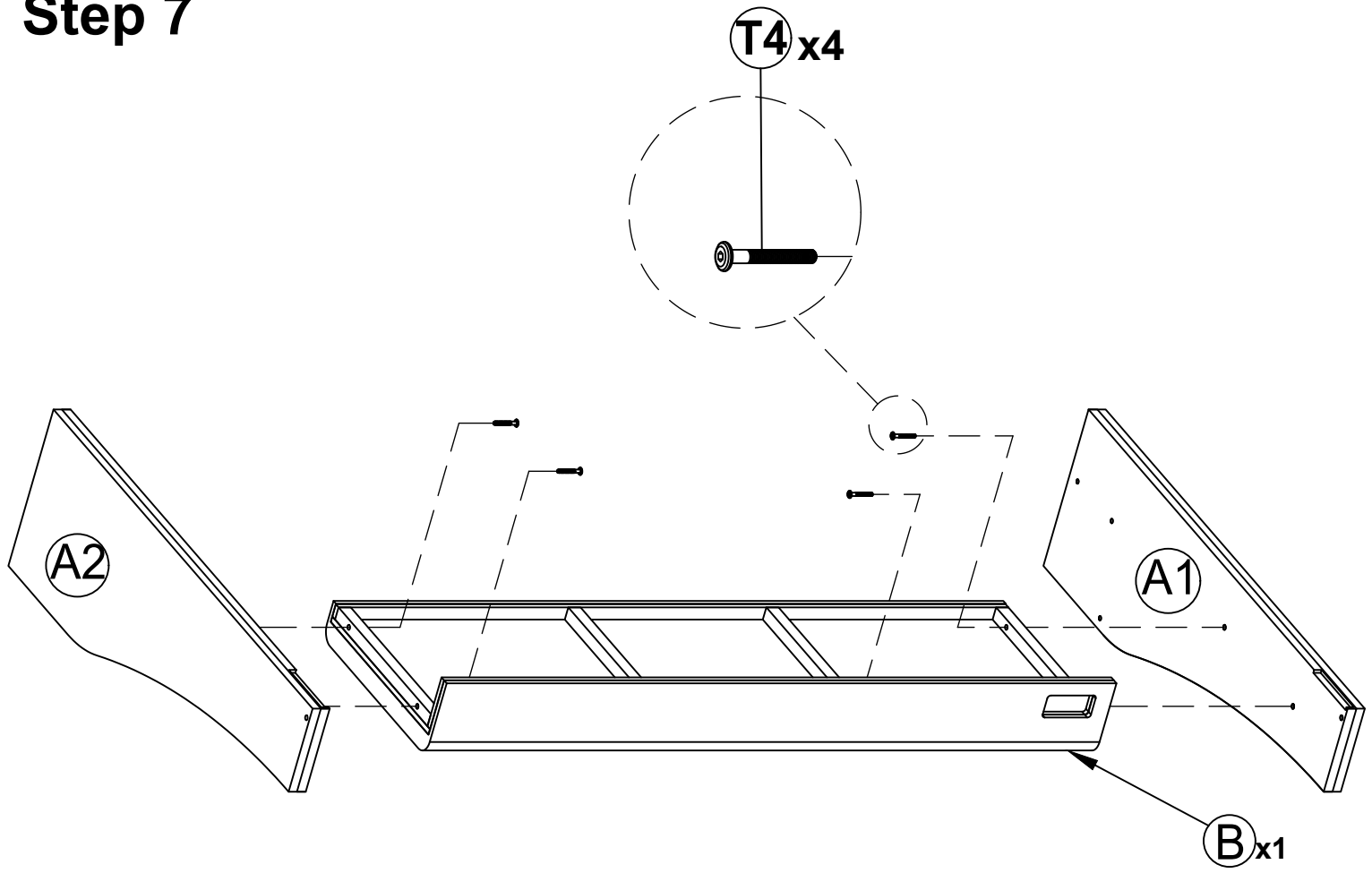
Step 5



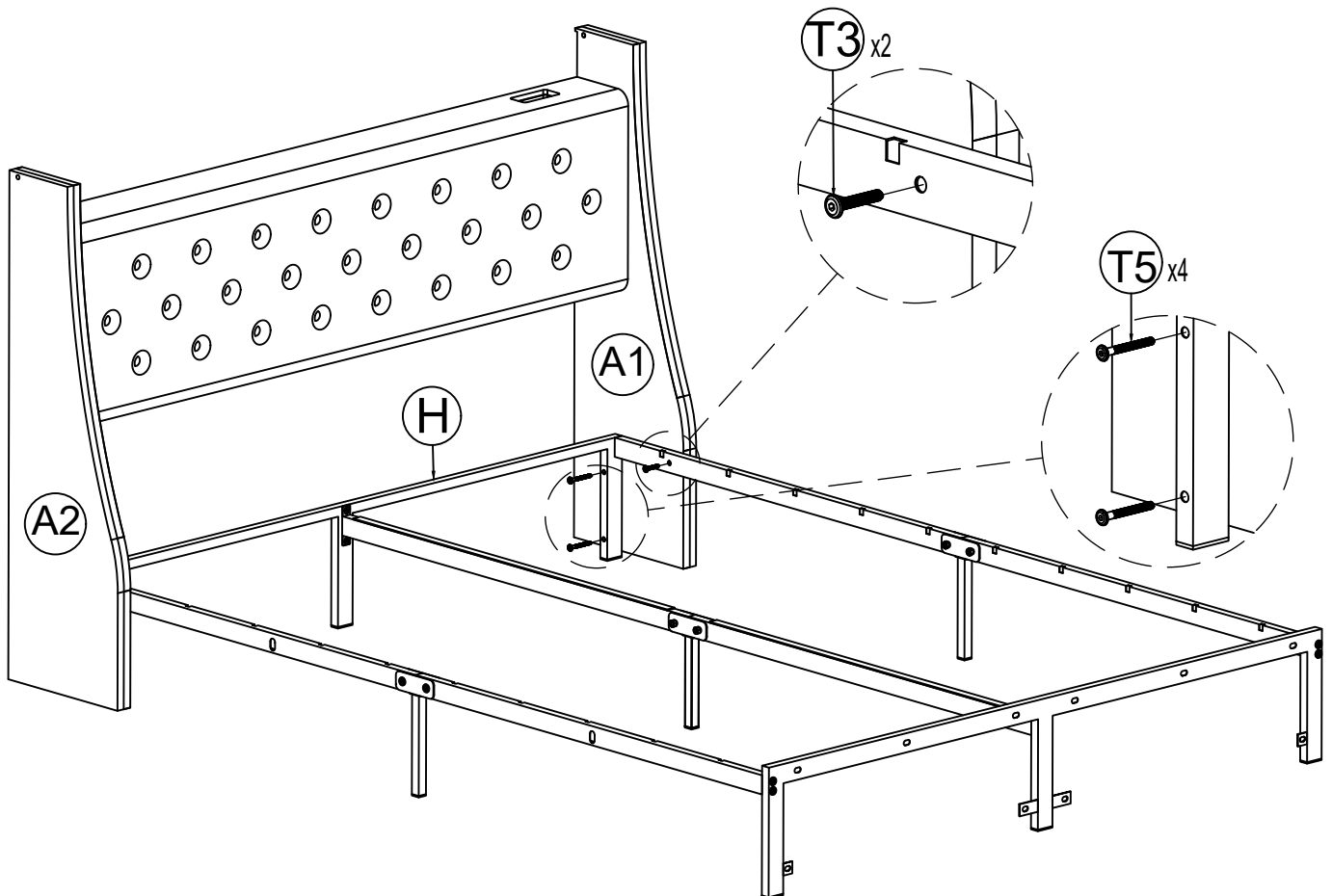
Step 6



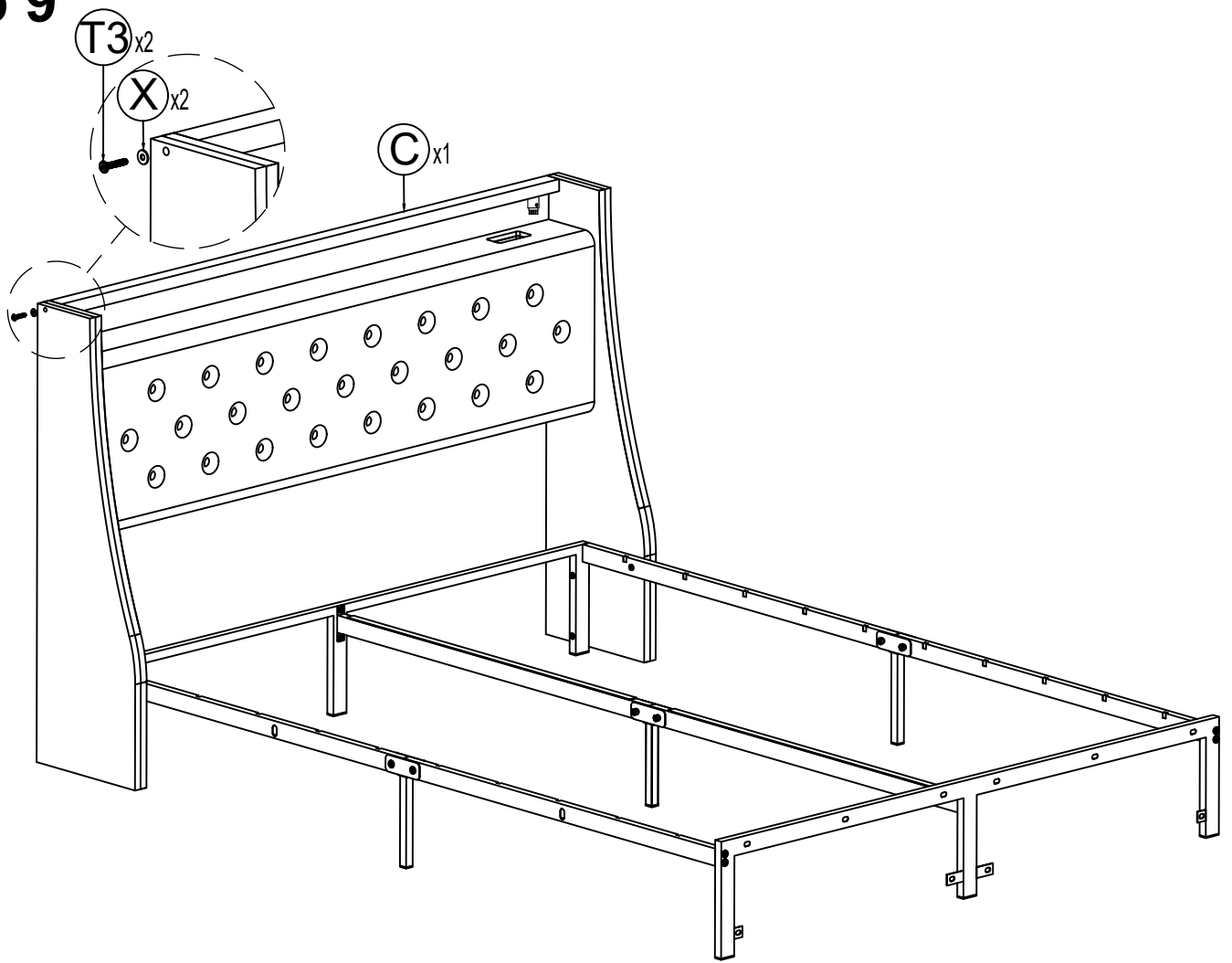
Step 7



Step 8

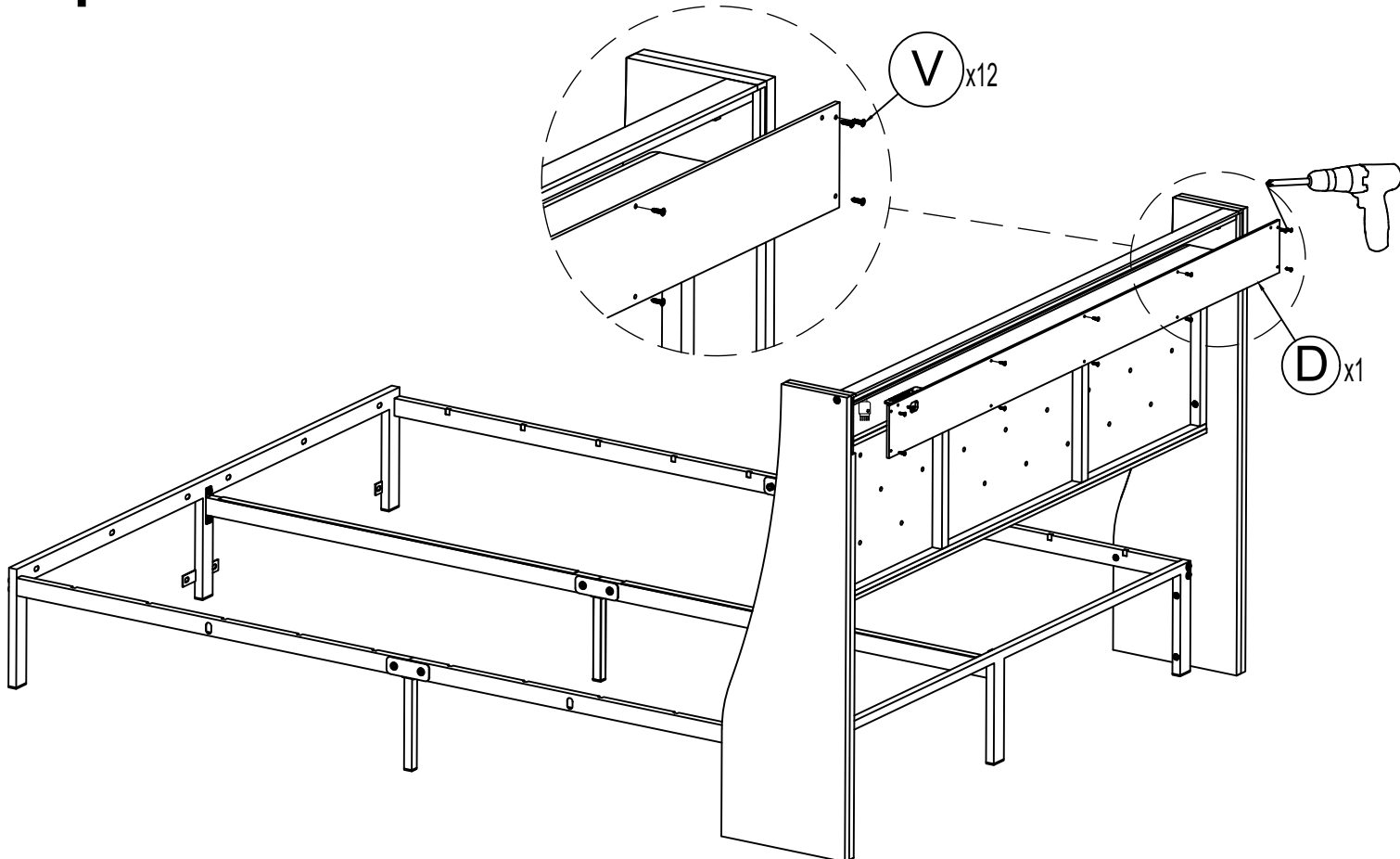


Step 9

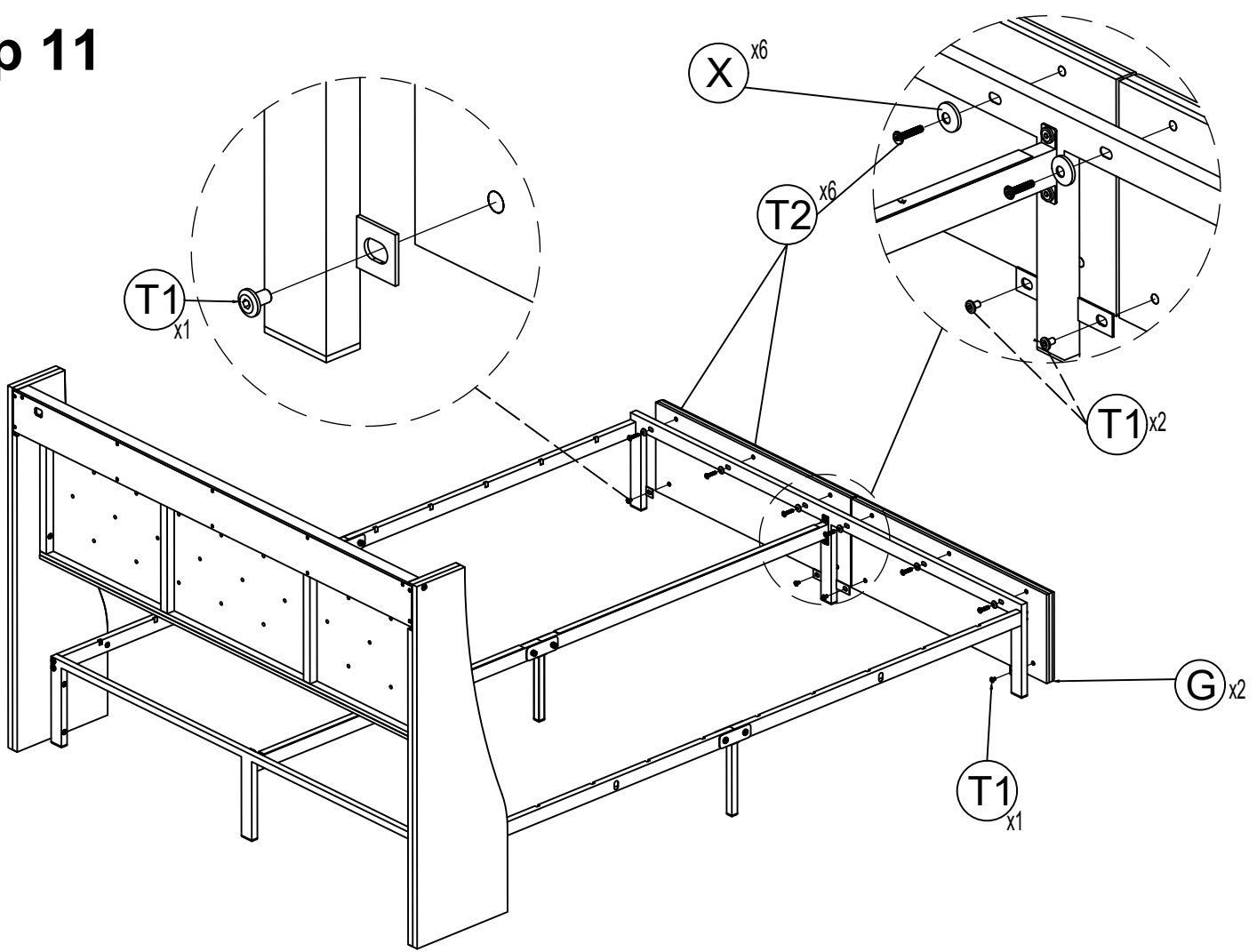


Step 10

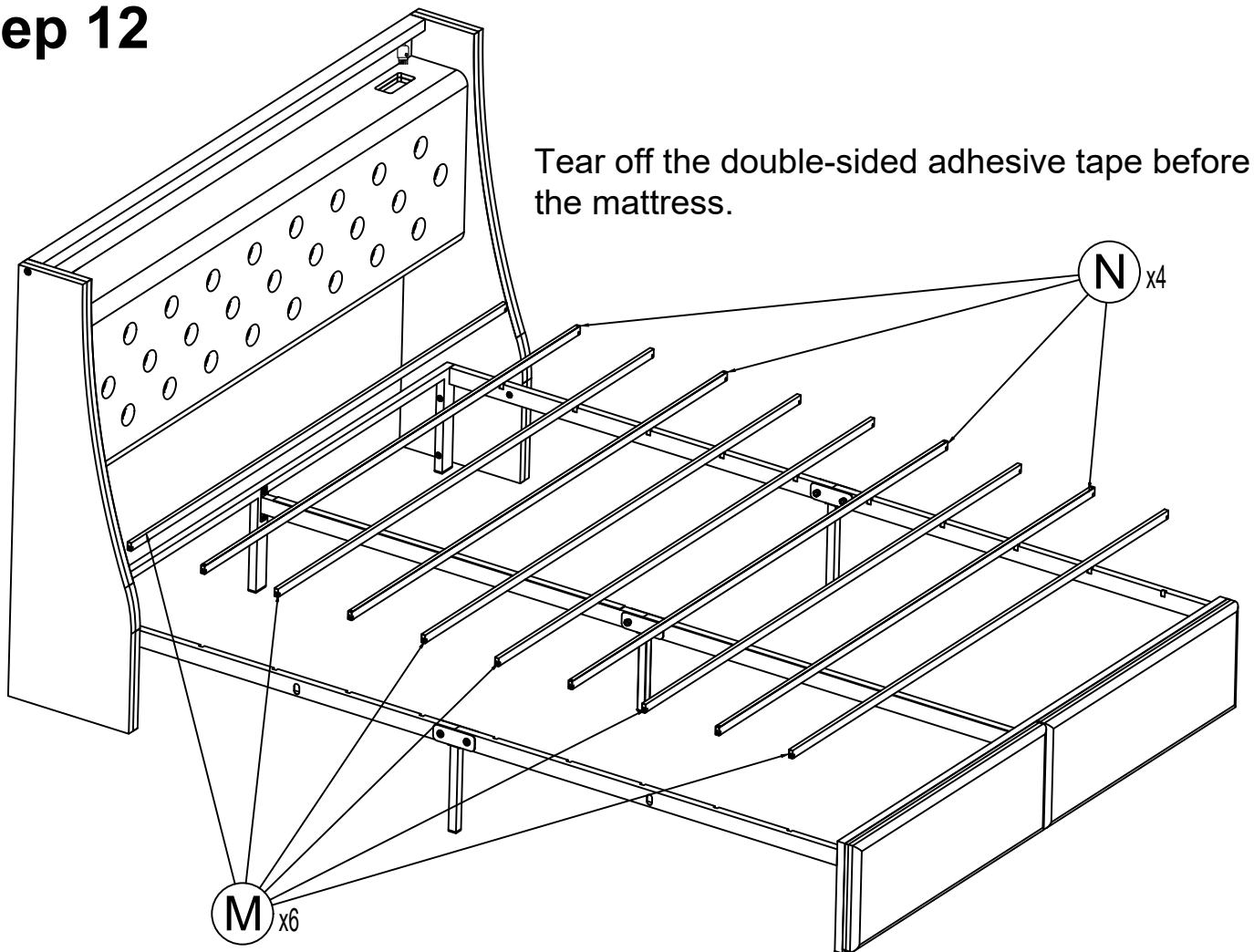
We suggest using drill machine to install "V" screws



Step 11

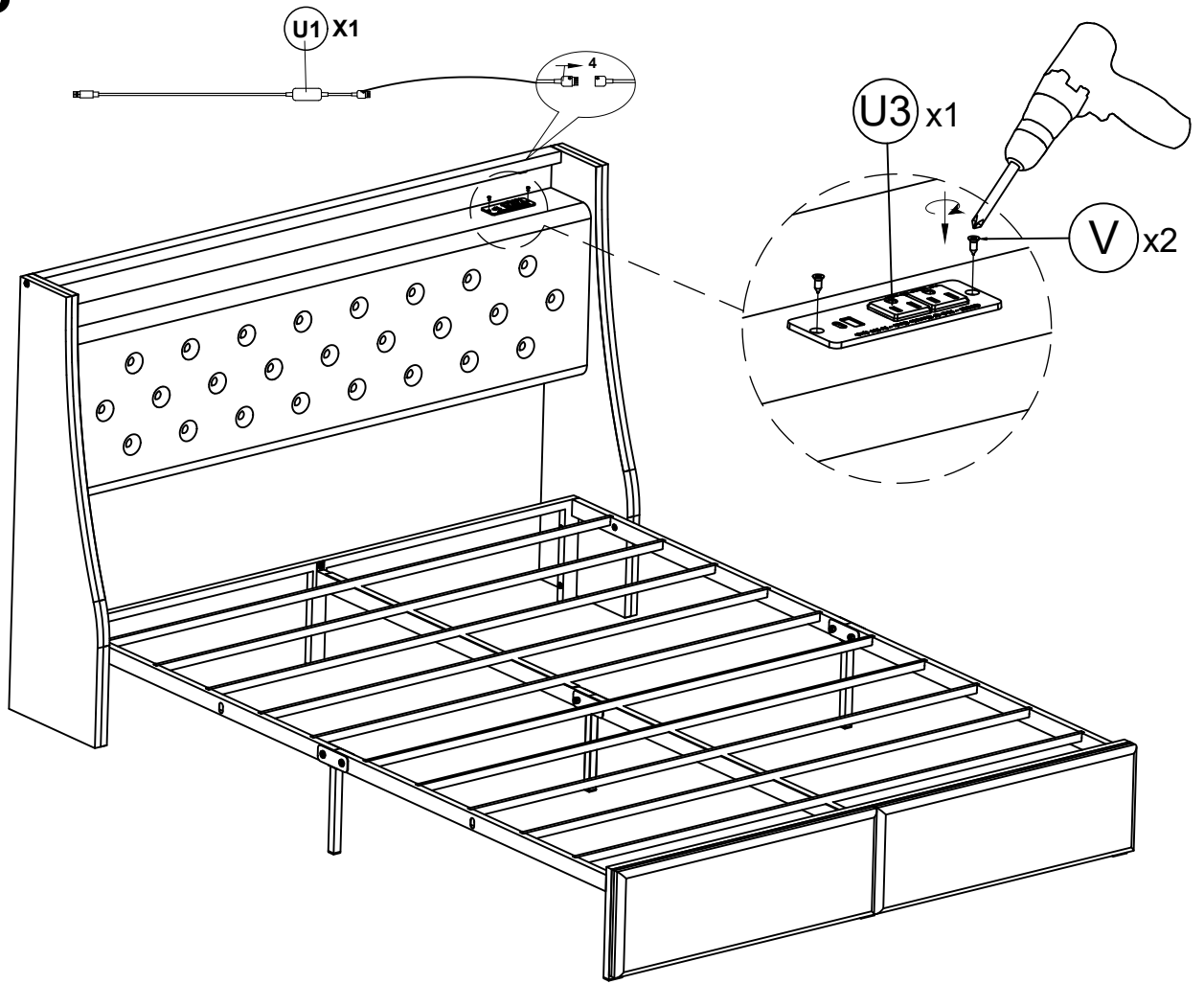


Step 12



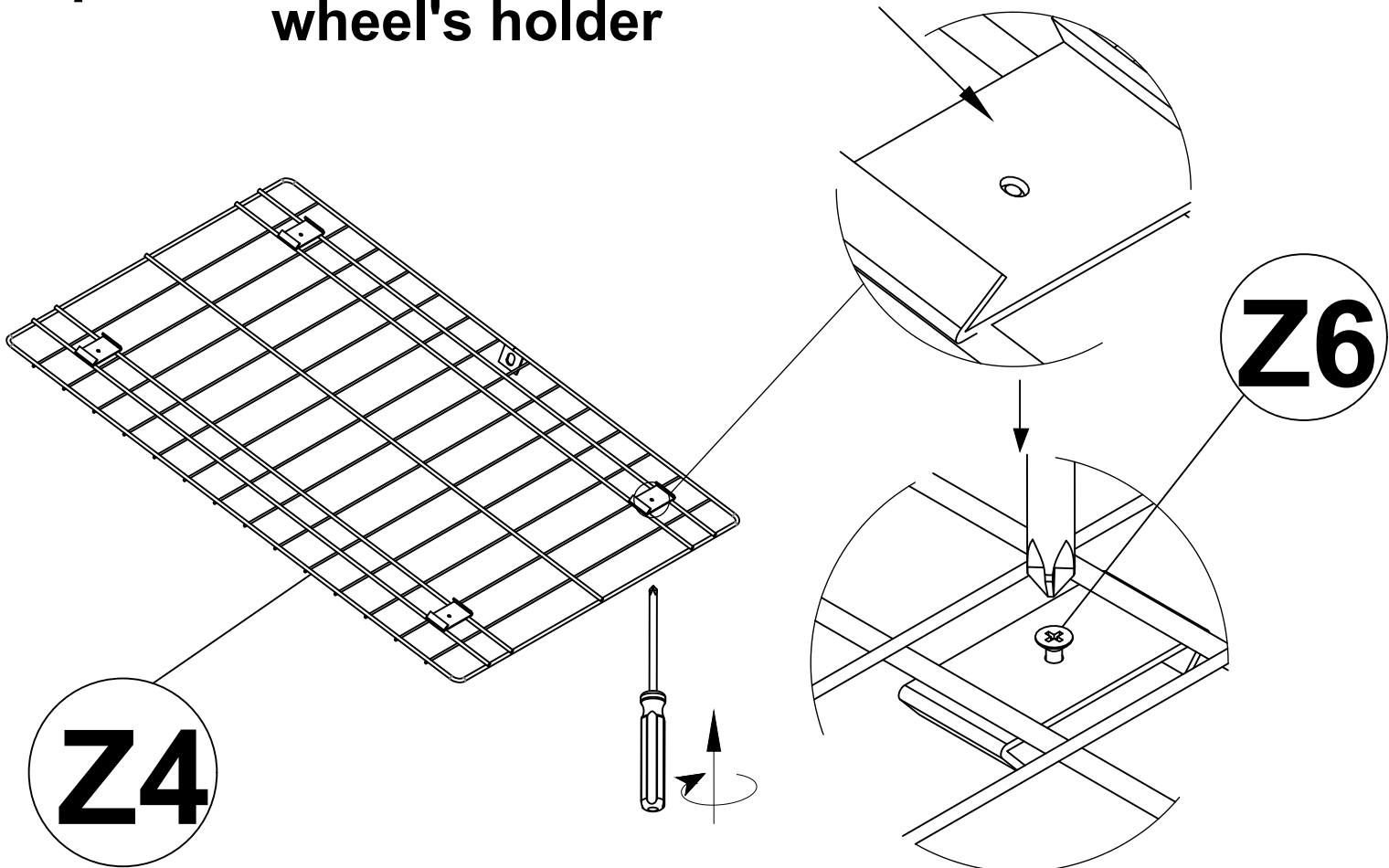
Step 13

We suggest using drill machine to install "V" screws



Step 14

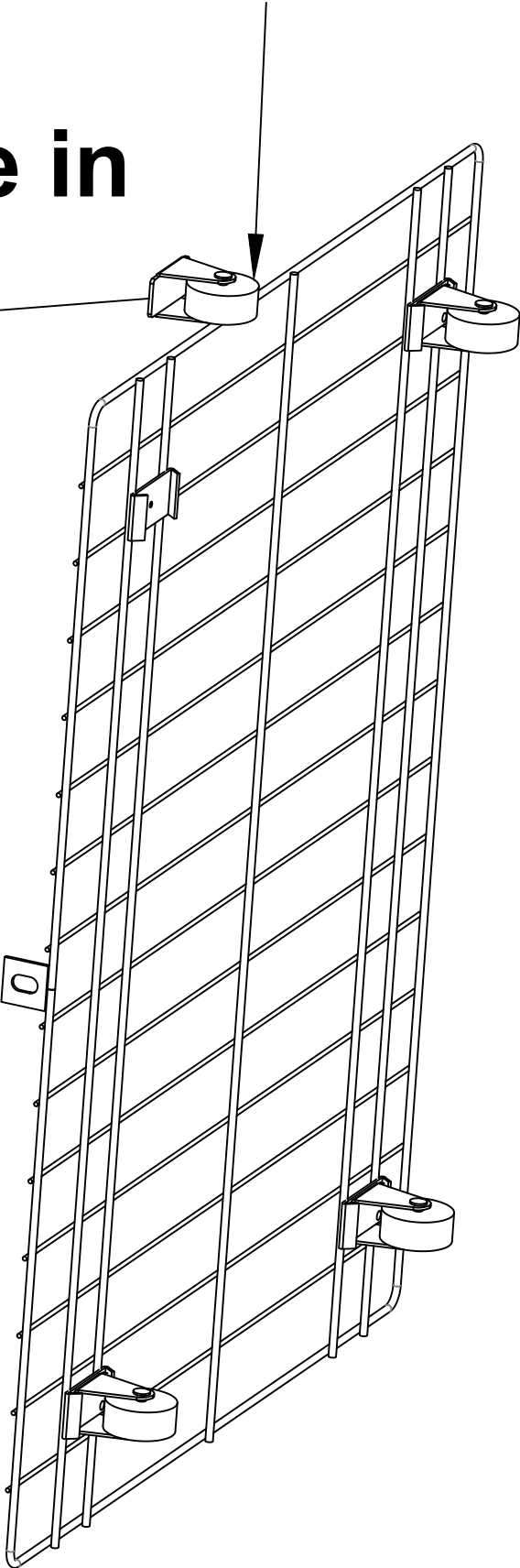
Don't let the screw get through all the wheel's holder



Step 15

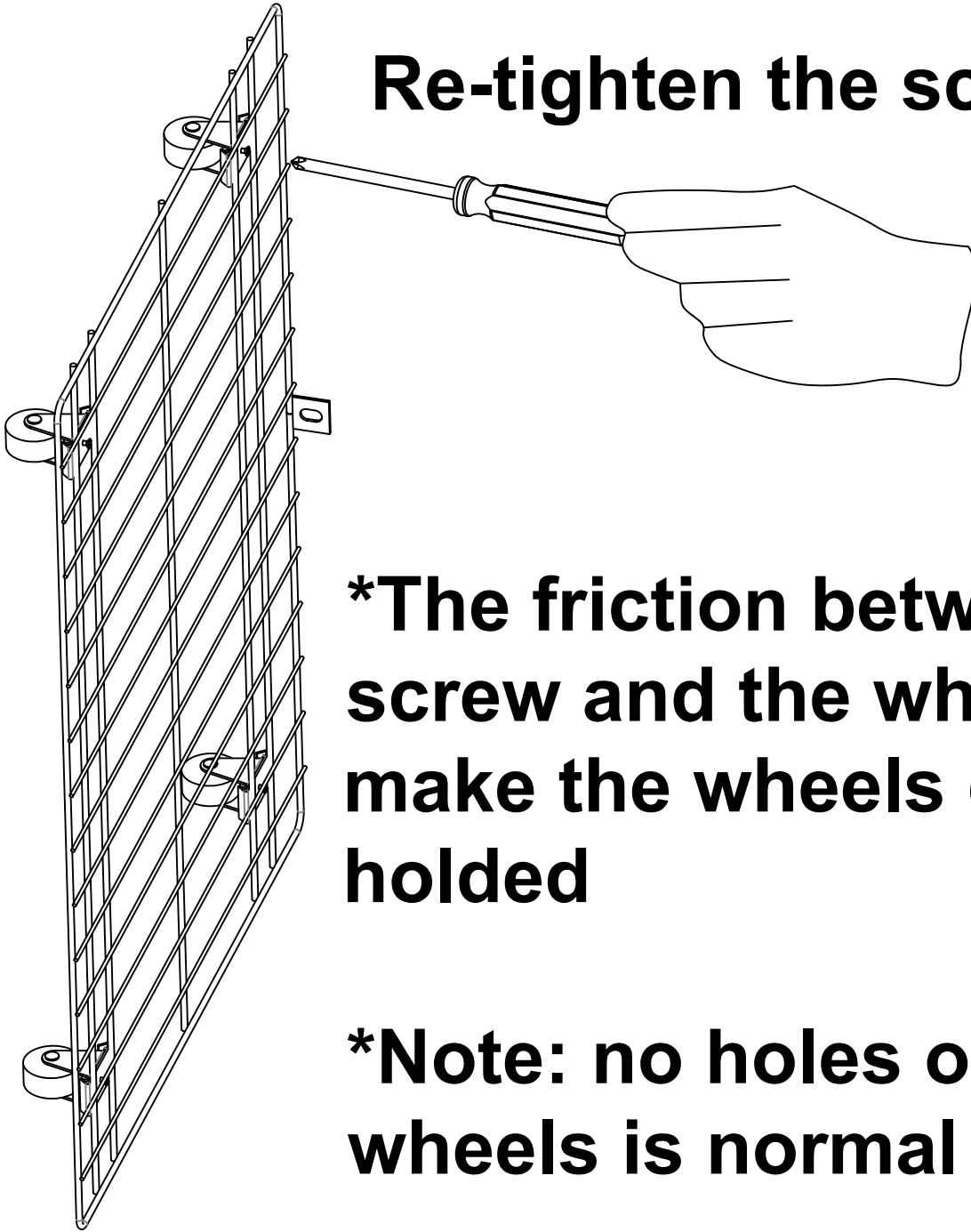
Slide in

Z5



Step 16

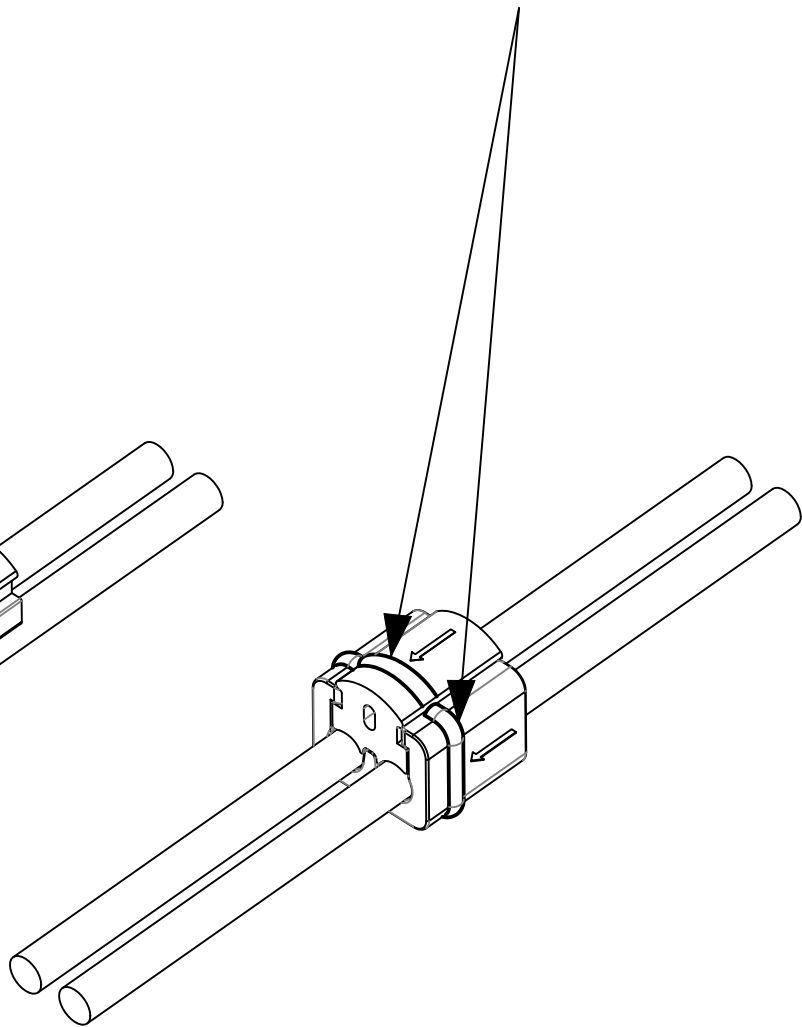
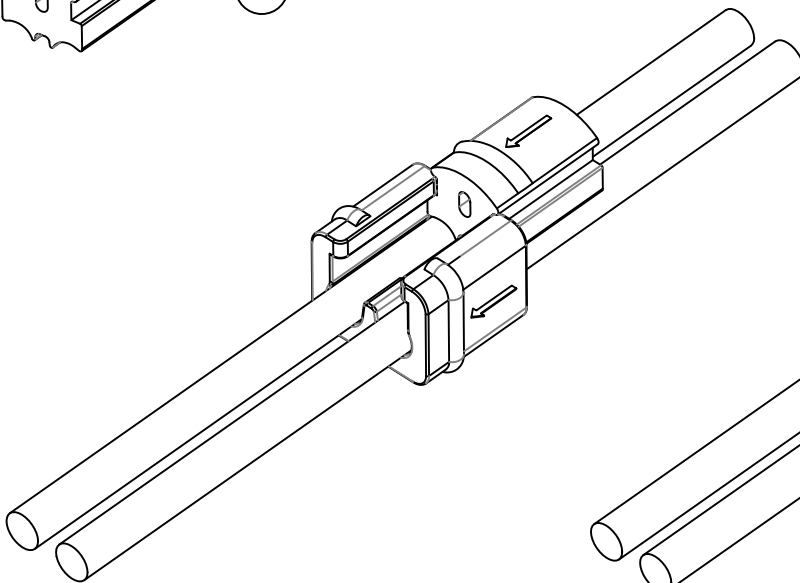
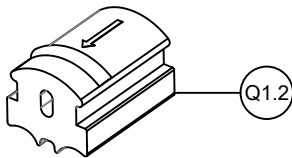
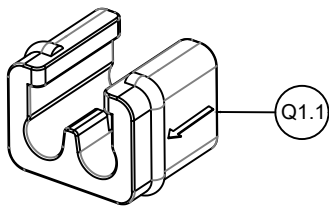
Re-tighten the screws



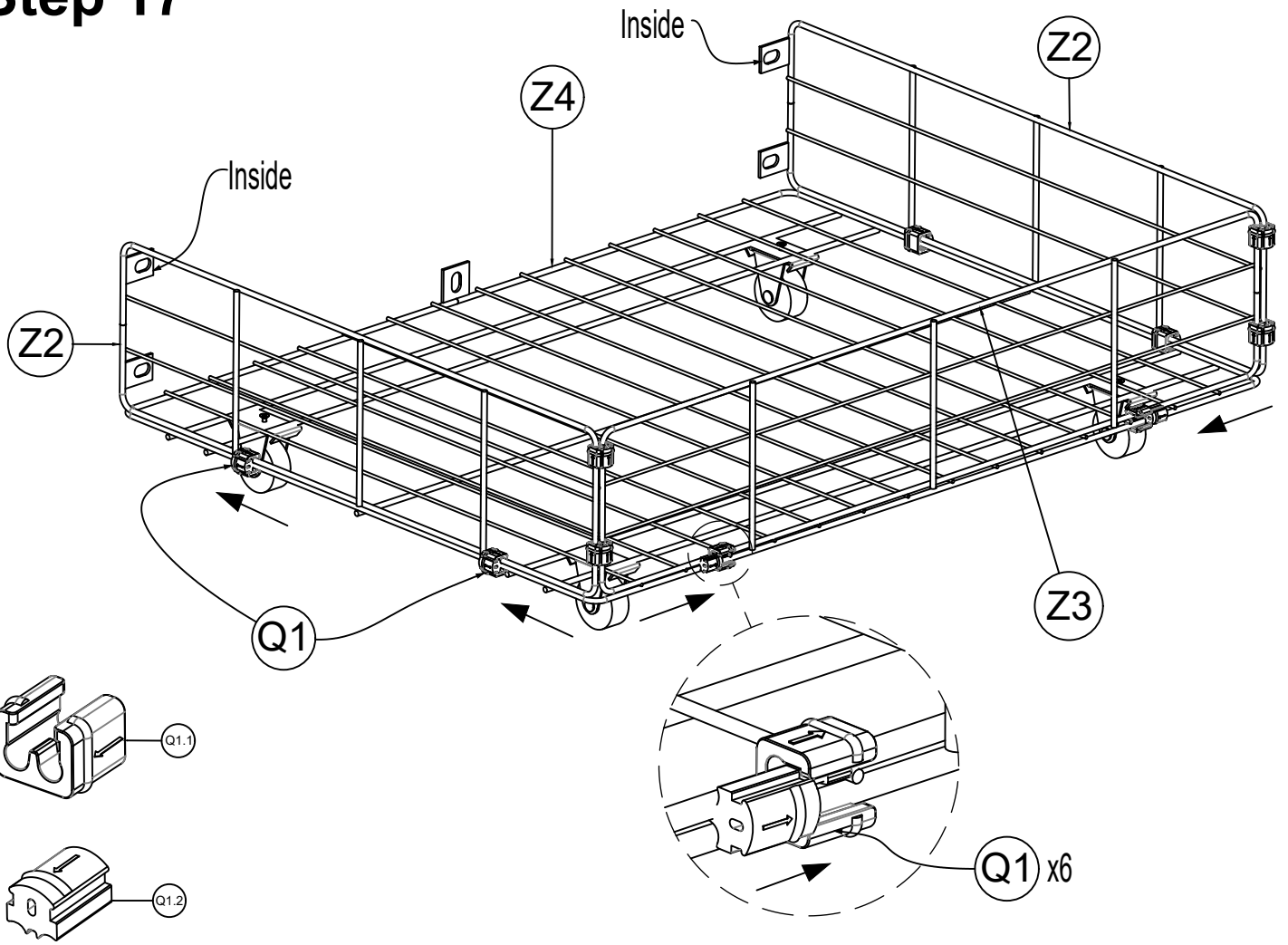
***The friction between the screw and the wheels will make the wheels can be holded**

***Note: no holes on the wheels is normal**

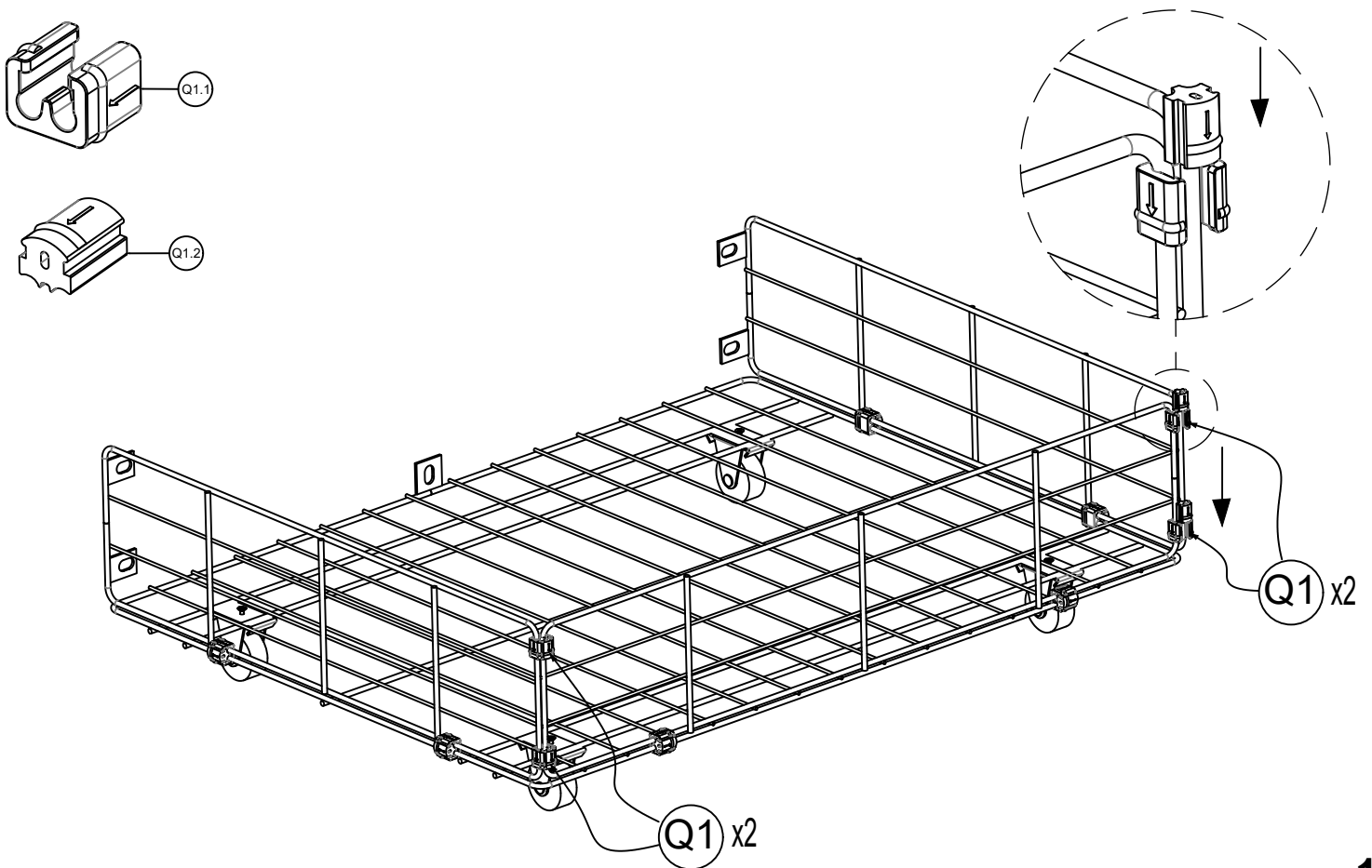
**these two
lines on Q1.1
and Q1.2 need
to be matched**



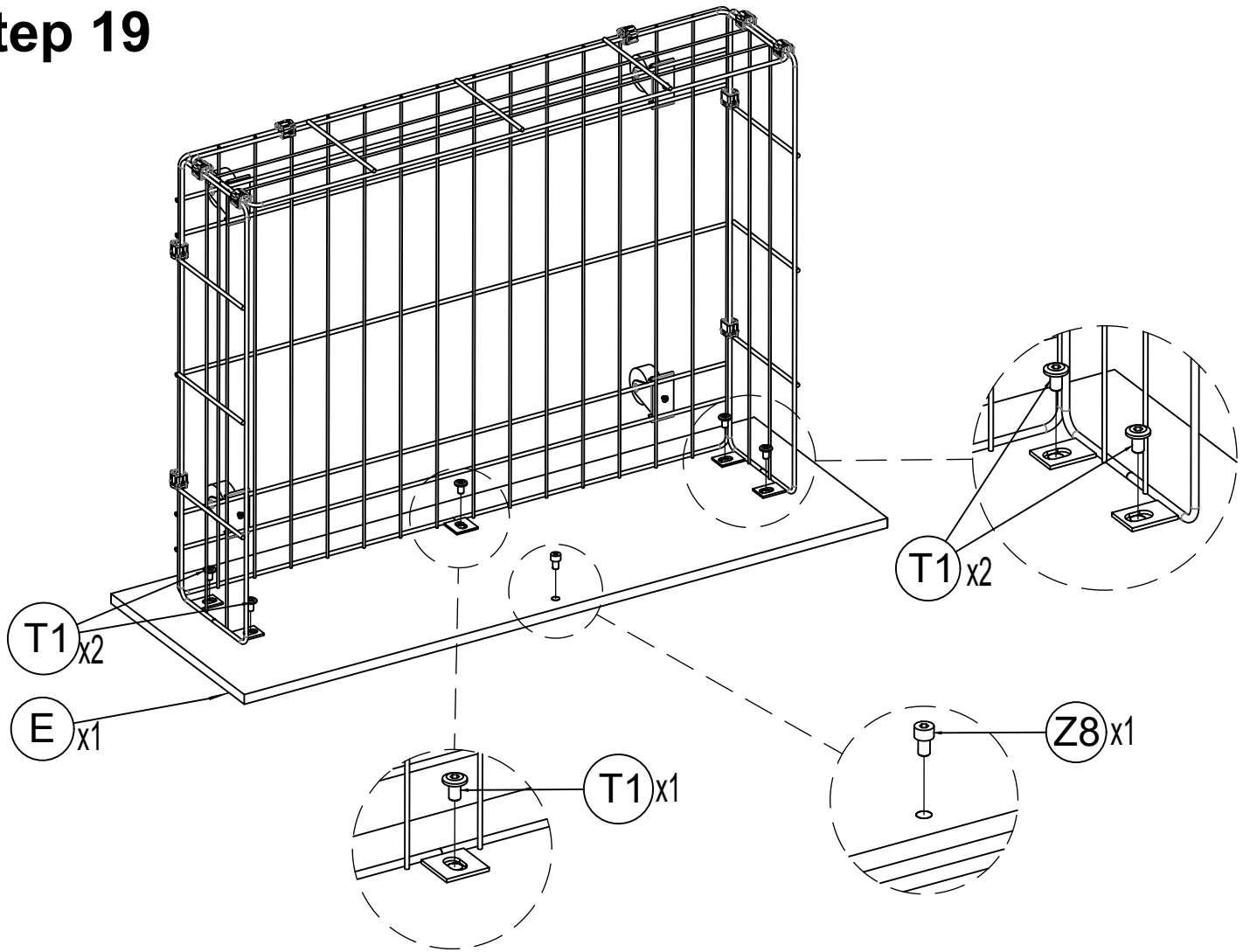
Step 17



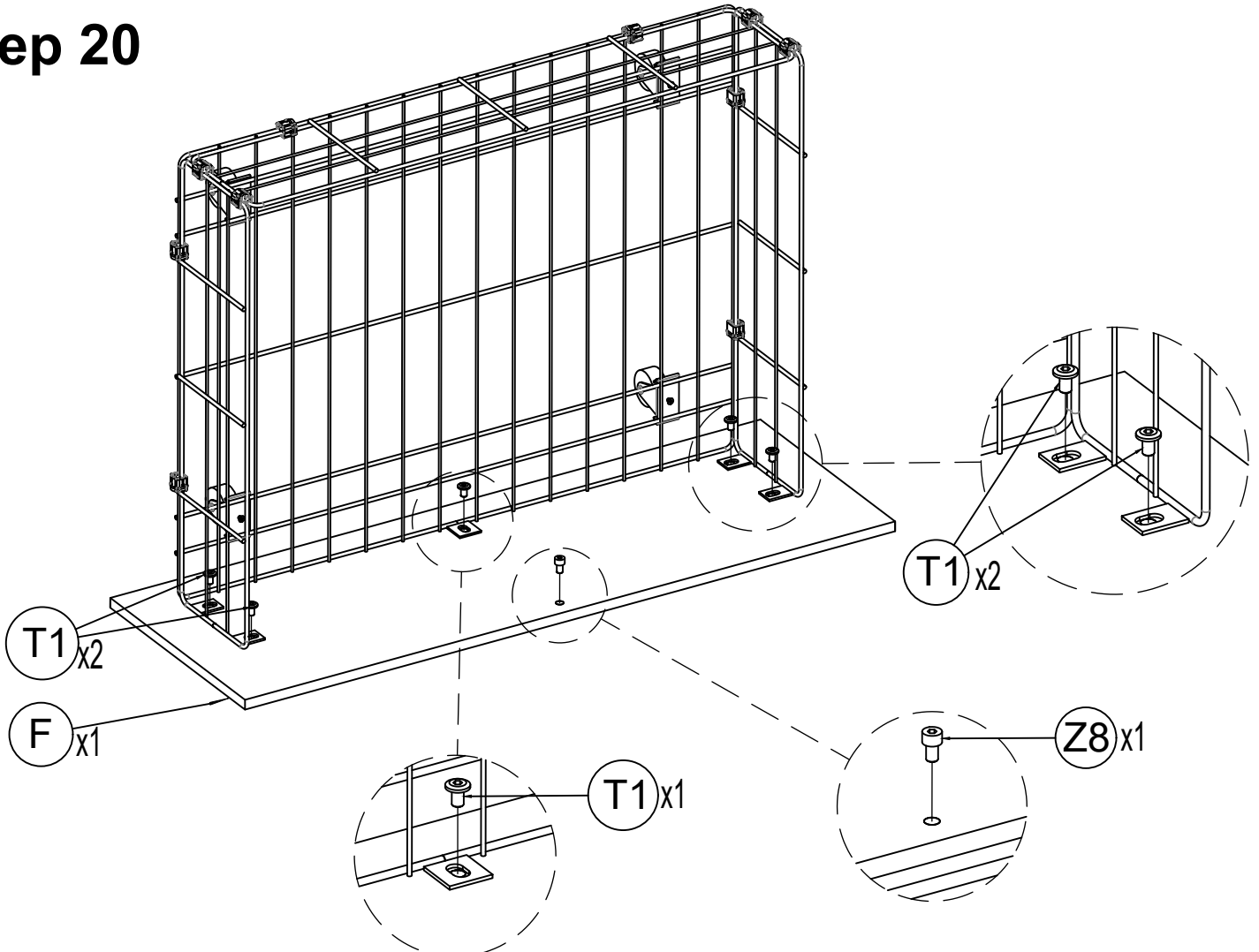
Step 18



Step 19

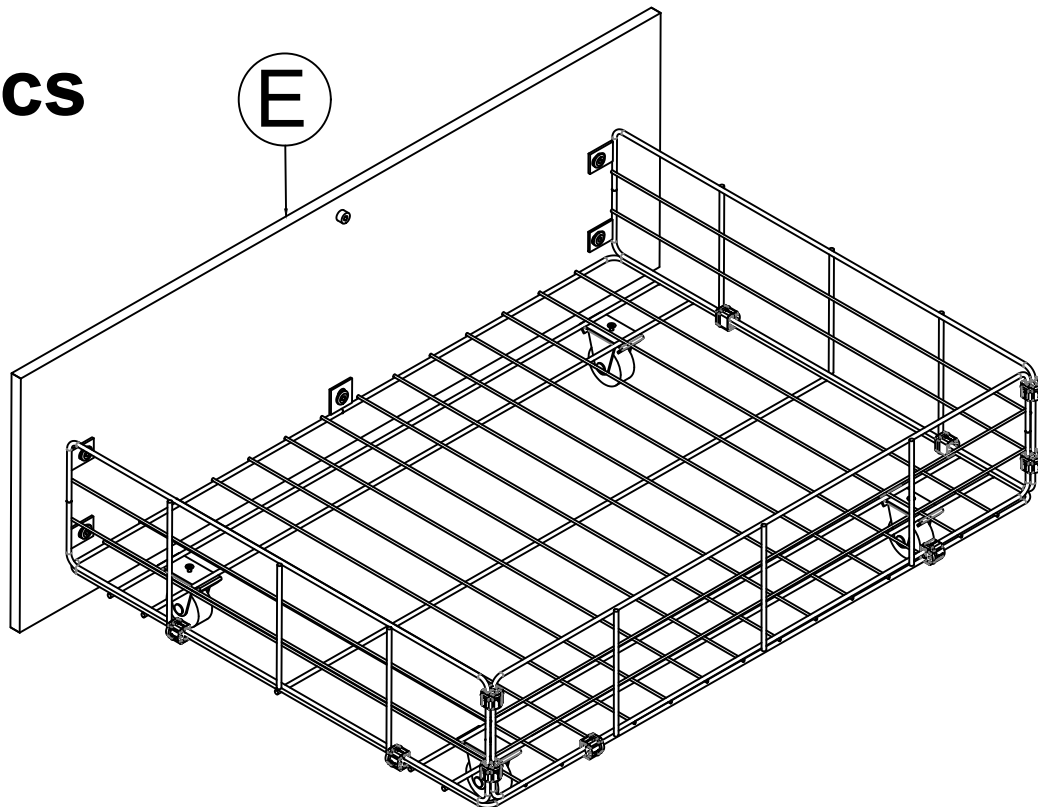


Step 20



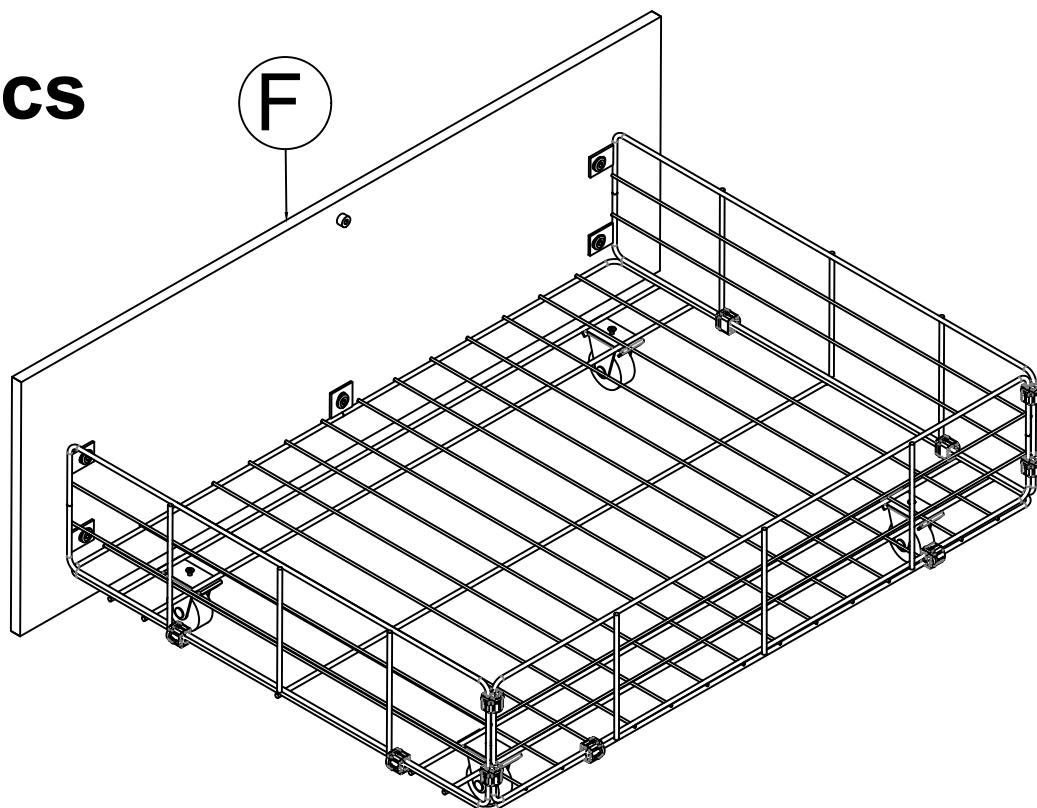
Step 21

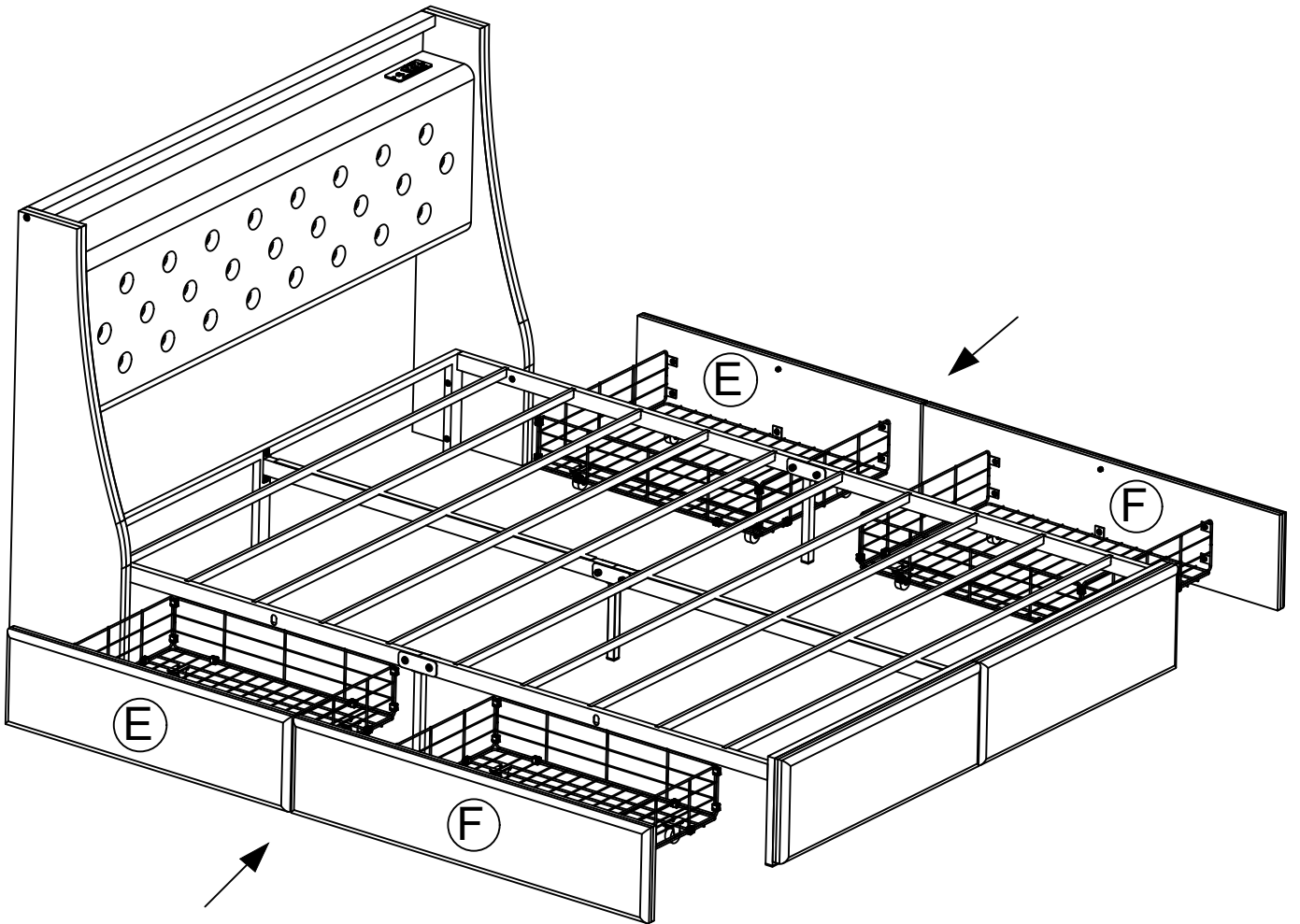
2pcs



Step 22

2pcs





REMOTE CONTROL

