

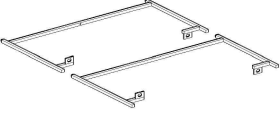

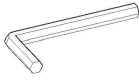


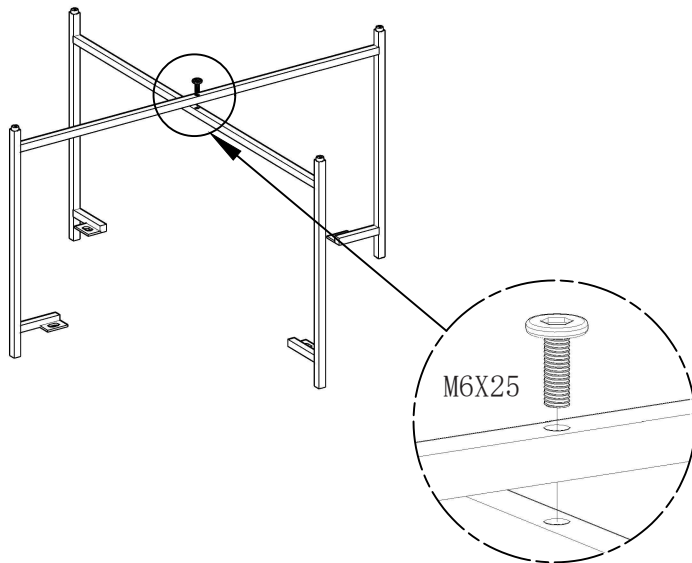
# Assembly Instructions

## Item No. 73317

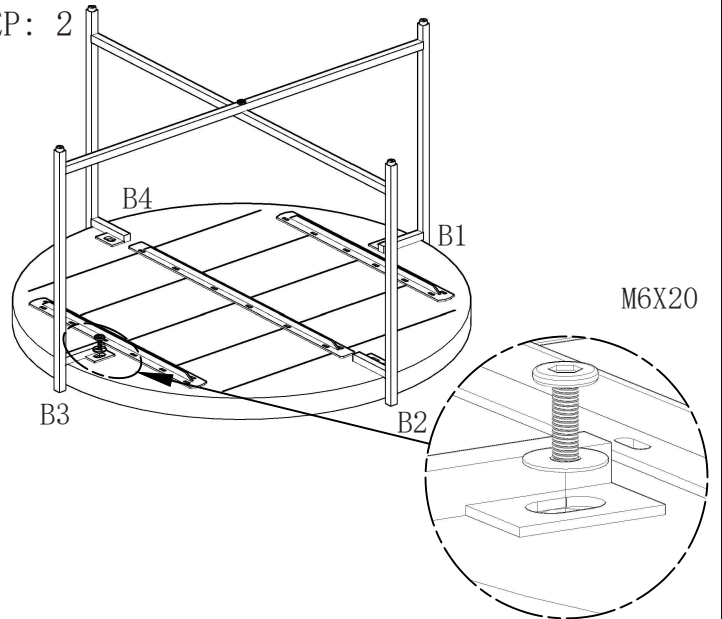
Thank you for purchasing this quality product. Be sure to check all packing material carefully for small parts that may have come loose inside the carton during shipment. (Note: Loosely thread all screws/bolts first. Once the item is assembled then completely tighten.)

PARTS LIST:				HARDWARE LIST:				
NO	Description	Sketch	Quantity	NO	Sketch	Description	Size	Quantity
A	Top		1	C		Allen Bolt	M6X20	4
							M6X25	1
B	Legs		1 SET	D		Lock washer	25 MM	4
				E				

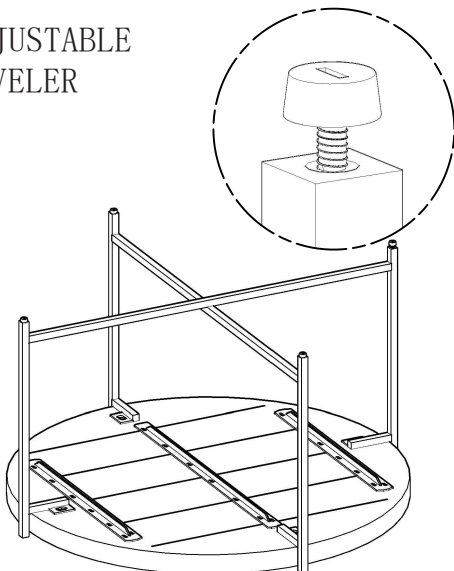
STEP: 1



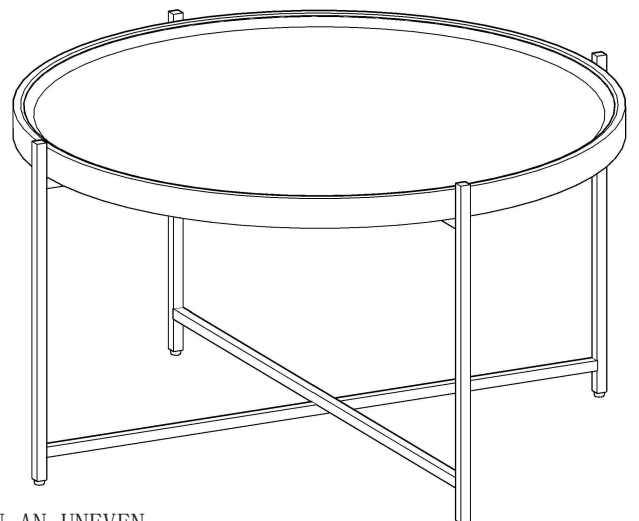
STEP: 2



ADJUSTABLE  
LEVELER



FINISHED



TOP FOR LEVELLING OF PRODUCT: WHEN THE PRODUCT RESTS ON AN UNEVEN FLOOR SURFACE IT WILL APPEAR TO BE UNBALANCED. TO AID IN LEVELLING , TRY ADJUSTING THE LEVELERS ON THE BOTTOM OF EACH FOOT.