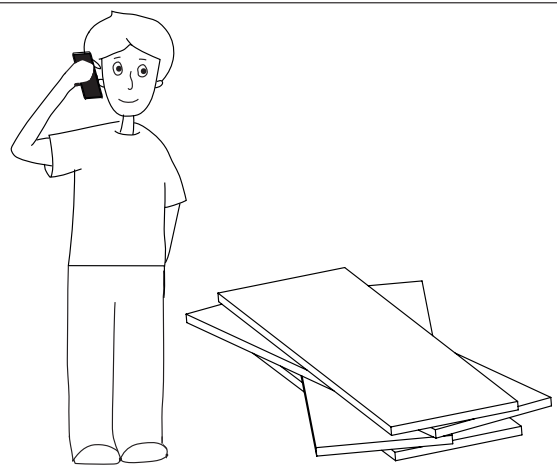
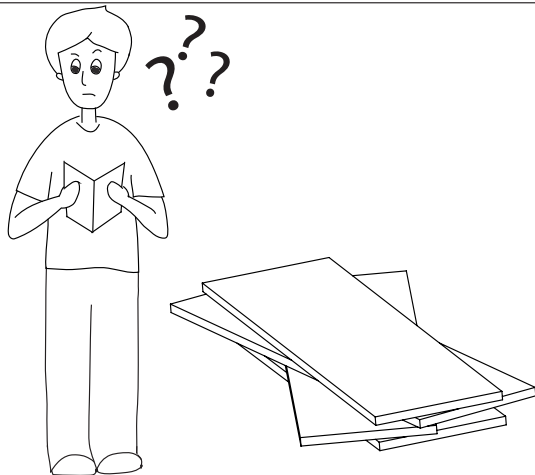
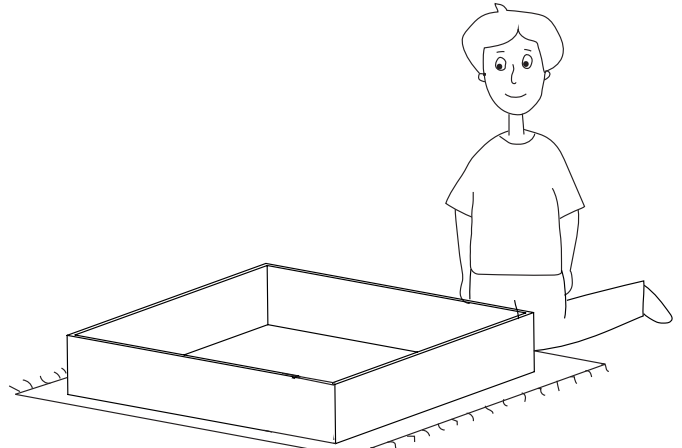
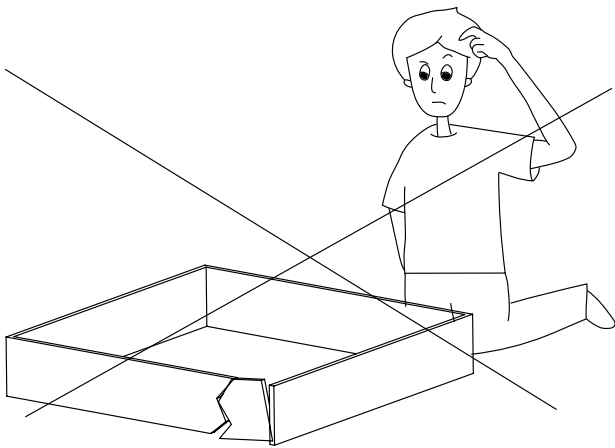
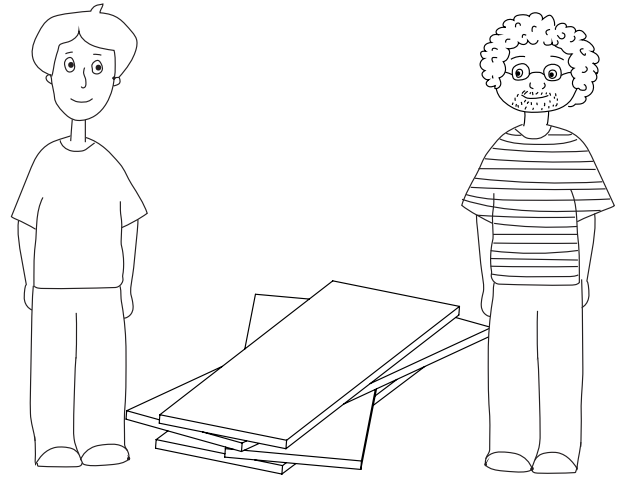
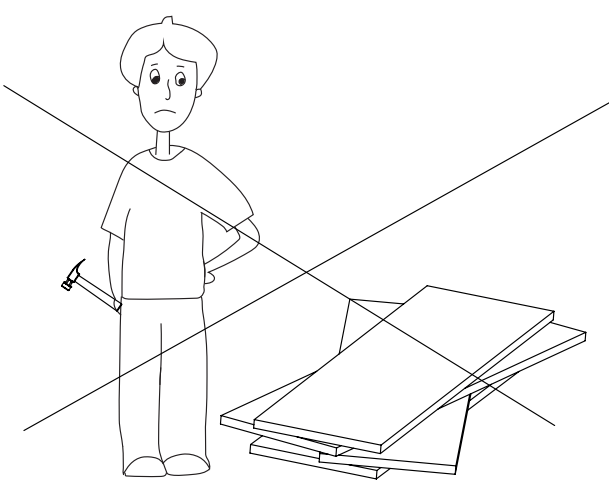
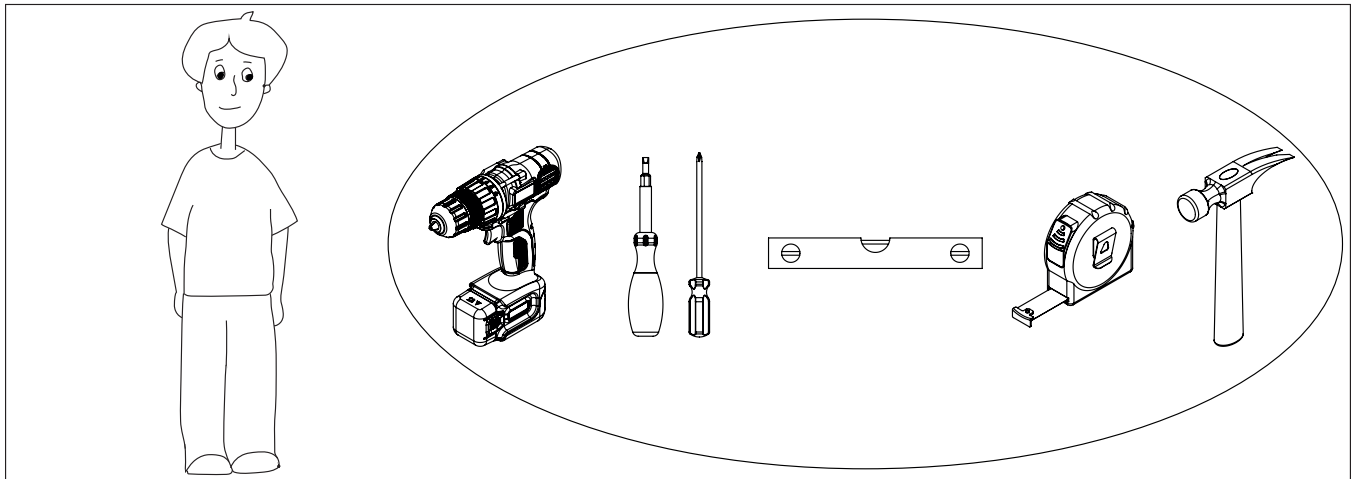


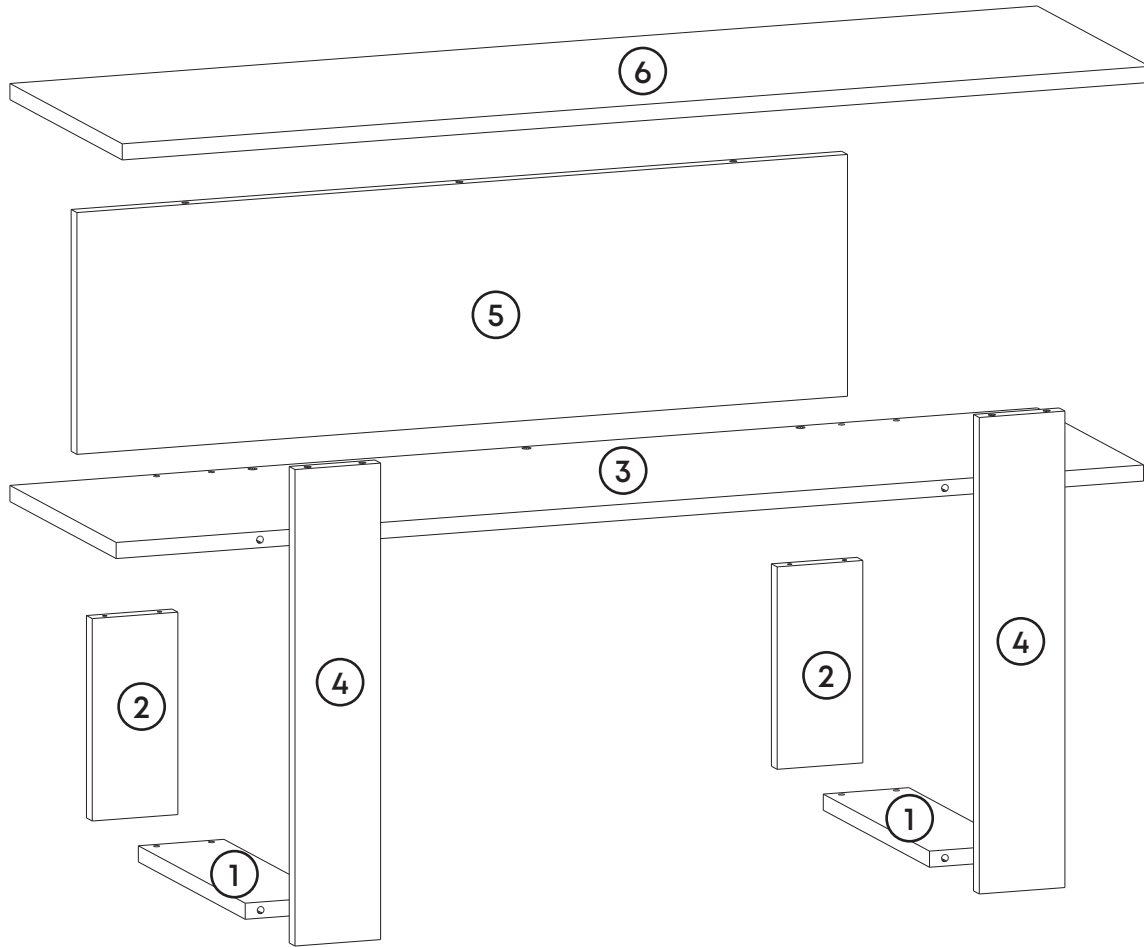
Assembly guide

# Prepare To Start

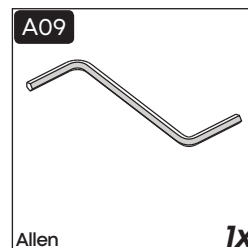
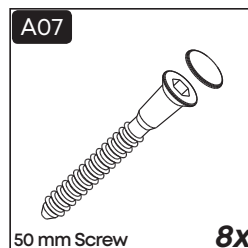
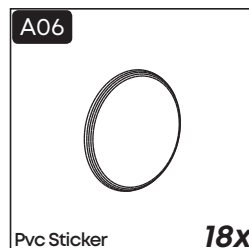
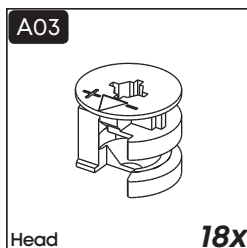
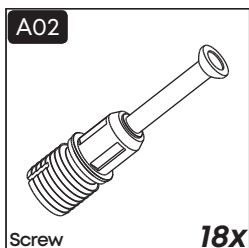


# Components

Part1	2x
Part2	2x
Part3	1x
Part4	2x
Part5	1x
Part6	1x
Total	9x

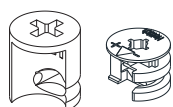


# Accessory Parts

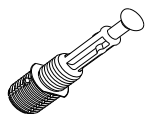


# How to instal Components

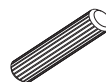
\*Before starting, please check the below figures



HEAD

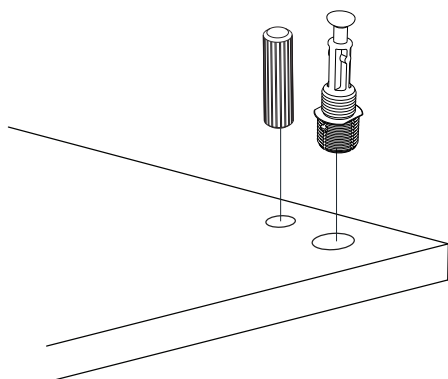


SCREW

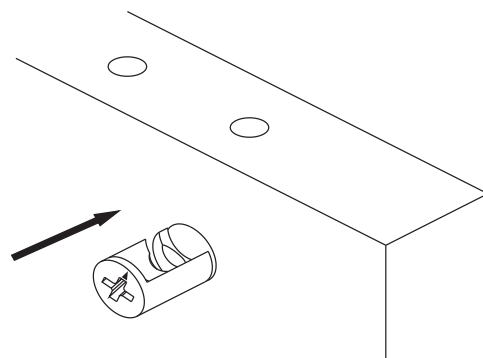


DOWEL

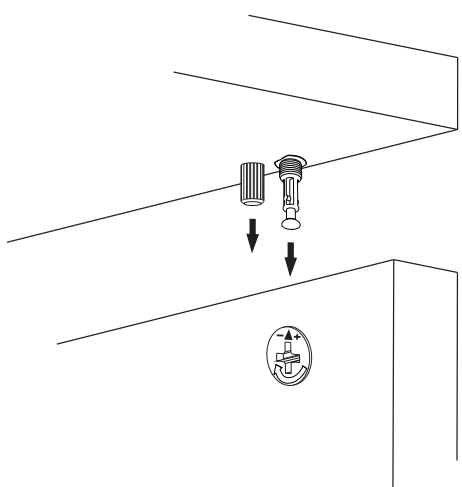
If the dowel is not required during the installation phase, it is not included in the package.



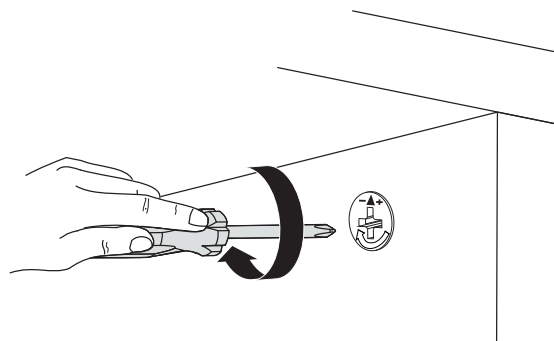
\*Please notice that there is an small arrow on A03 (head). This arrow should show the direction of upper hole.



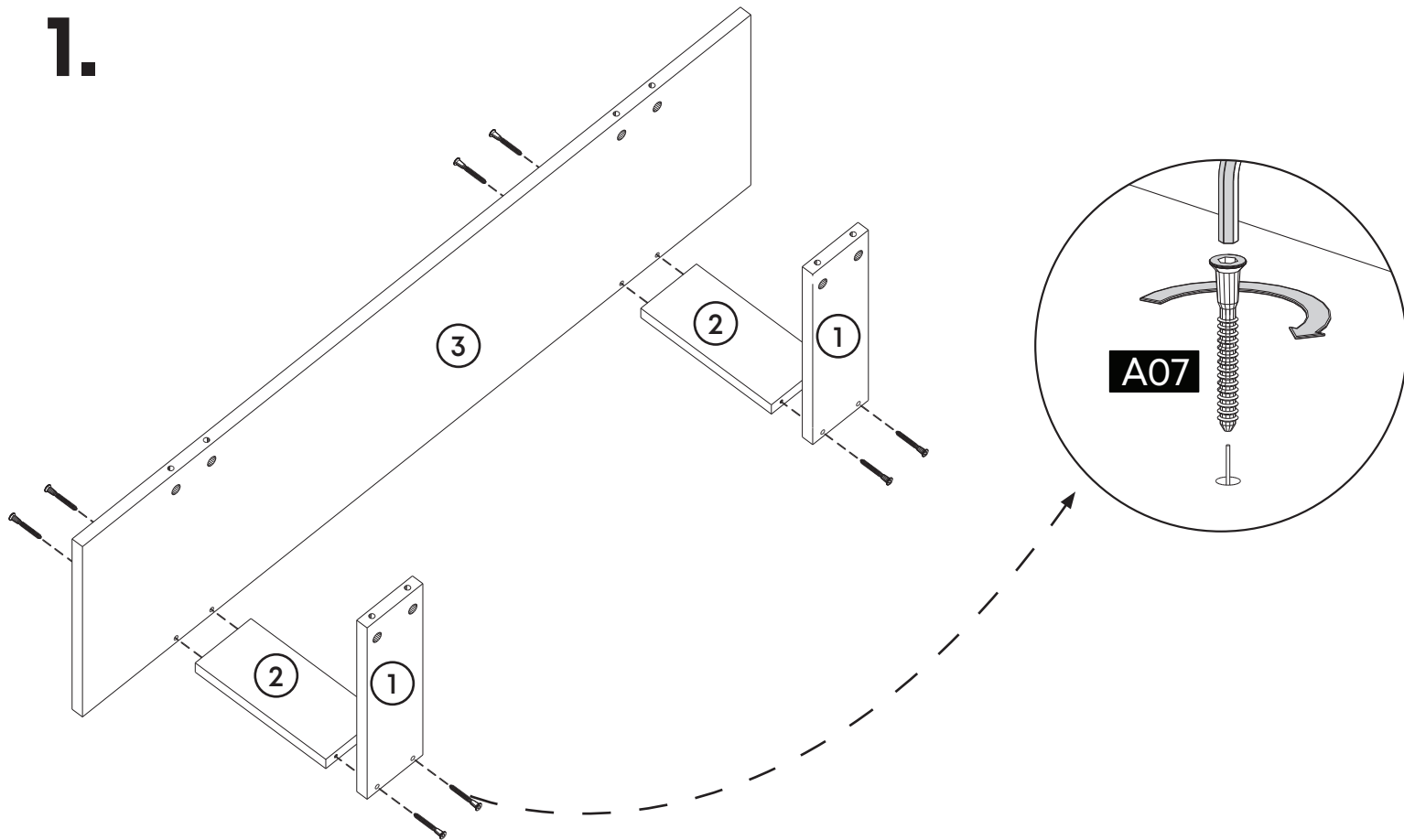
\*After attaching two pieces please turn the A03 (head) clockwise direction with the help of a screwdriver.



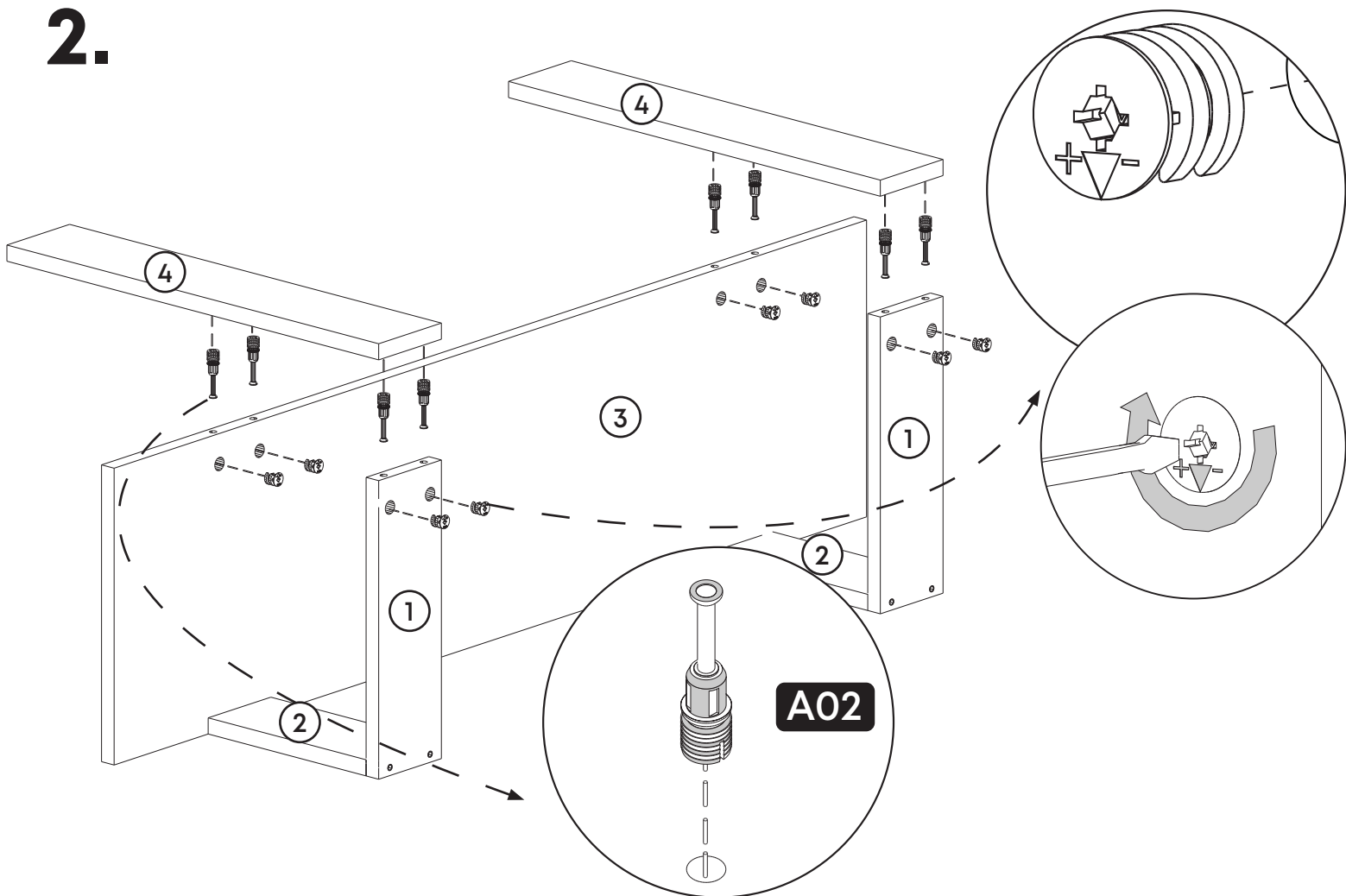
\*Please do not over screw the head since it may be broken if too much power is imposed. Just make sure that it is screwed to the direction "+" do not go any further.



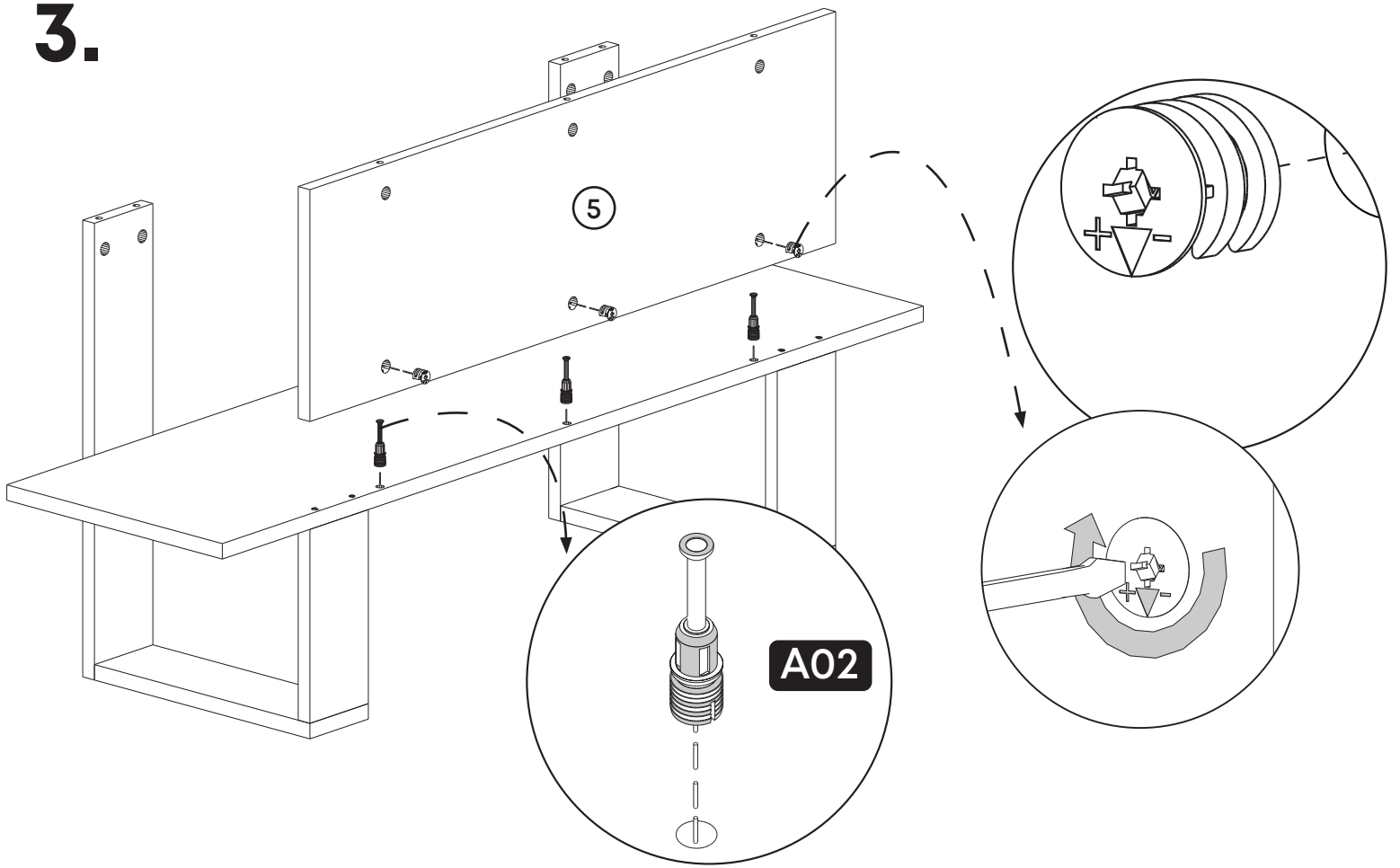
# 1.



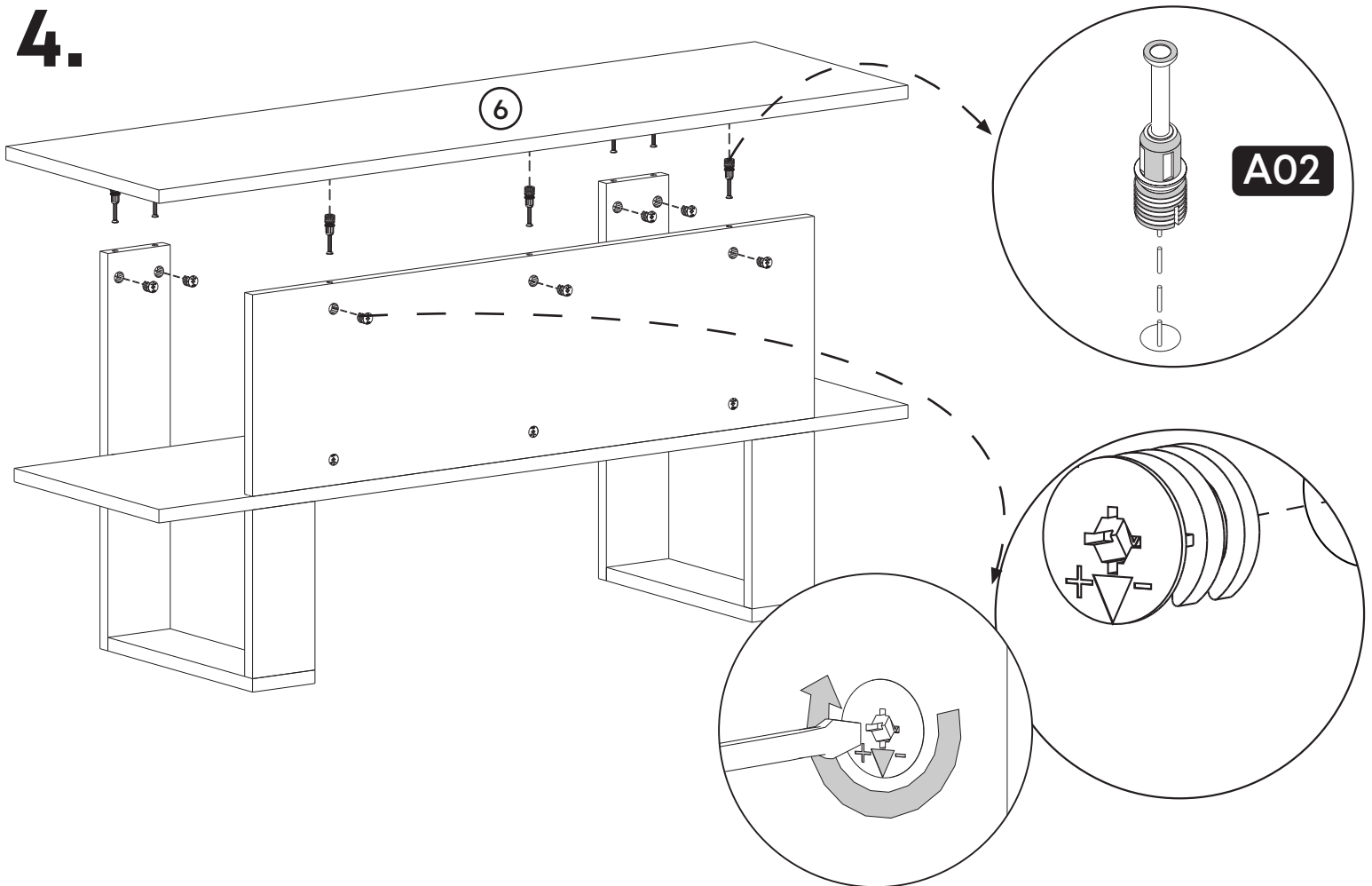
# 2.



3.



4.



5.

