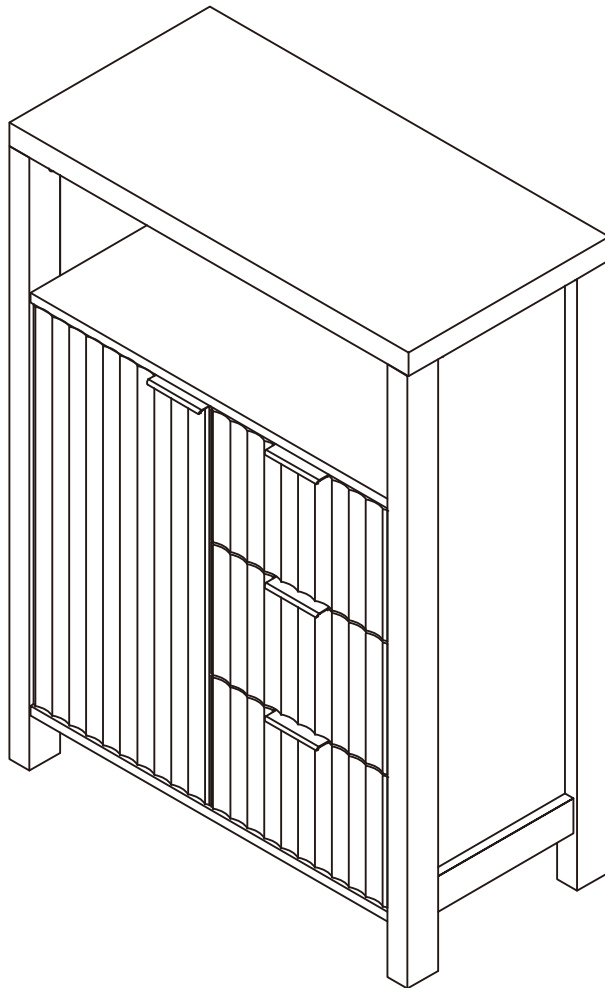

FLUTED BATHROOM FLOOR STORAGE CABINET

ASSEMBLY INSTRUCTION



Thank you for purchasing
Please contact us via email if parts are missing or damaged, we will
gladly ship your replacement parts free of charge

⚠ IMPORTANT

THIS INSTRUCTION BOOKLET CONTAINS IMPORTANT SAFETY INFORMATION.
PLEASE READ AND KEEP FOR FUTURE REFERENCE.

RETURN & WARRANTY

Thank you for choosing our product!

We would like to take this opportunity to thank you

We hope that you are completely satisfied with your purchase, and enjoy it for years to come.

Your satisfaction is our highest pursuit.

Return policy

believes you will absolutely love your furniture, but if for some reason you want to return the product, please contact us directly before you decide to return your product to the retailer. Our Customer Service organization can answer most concerns and can assist you with any questions you may have about your new product.

The item must be returned in good condition, in original box, with all original proof of purchase, parts and accessories, within the time frame specified by the retailer it was purchased from.

Warranty

warrants this product to be free from defects in material and workmanship agrees to remedy any such defect. This warranty covers one year from the date of original purchase. This is solely limited to be repair or replacement of defective parts and no assembly labor is included.

This warranty does not apply to any product which has been improperly assembled, subjected to misuse or abuse or which has been altered or repaired in any way.

Components repaired or replaced warranted through the remainder of the original warranty period only. The defective components will be repaired or replaced without charge, subject to the terms and conditions described above.

For help with assembly, identifying parts, product information or to order parts, please contact us freely.

BEFORE STARTING

Before Using Product



- Read each step carefully before starting. It is very important that each step is performed in the correct order. If these steps are not followed in sequence, assembly difficulties will occur.



- Make sure all parts are included. Most board parts are labeled or stamped on the raw edge.

- Prepare a flat and Philips screwdriver (not included)
A Power Screwdriver is recommended.



- Work in a spacious area and near where the unit will be used, preferably on a carpet, or use a piece of the cardboard packaging to protect your floor and product.



- For a smooth assembly process, we suggest you keep a lite tightness for all the screws during assembly. After the whole product is assembled, firmly tighten all the screws.



Estimated Time for Assembly

1.5-2 hours



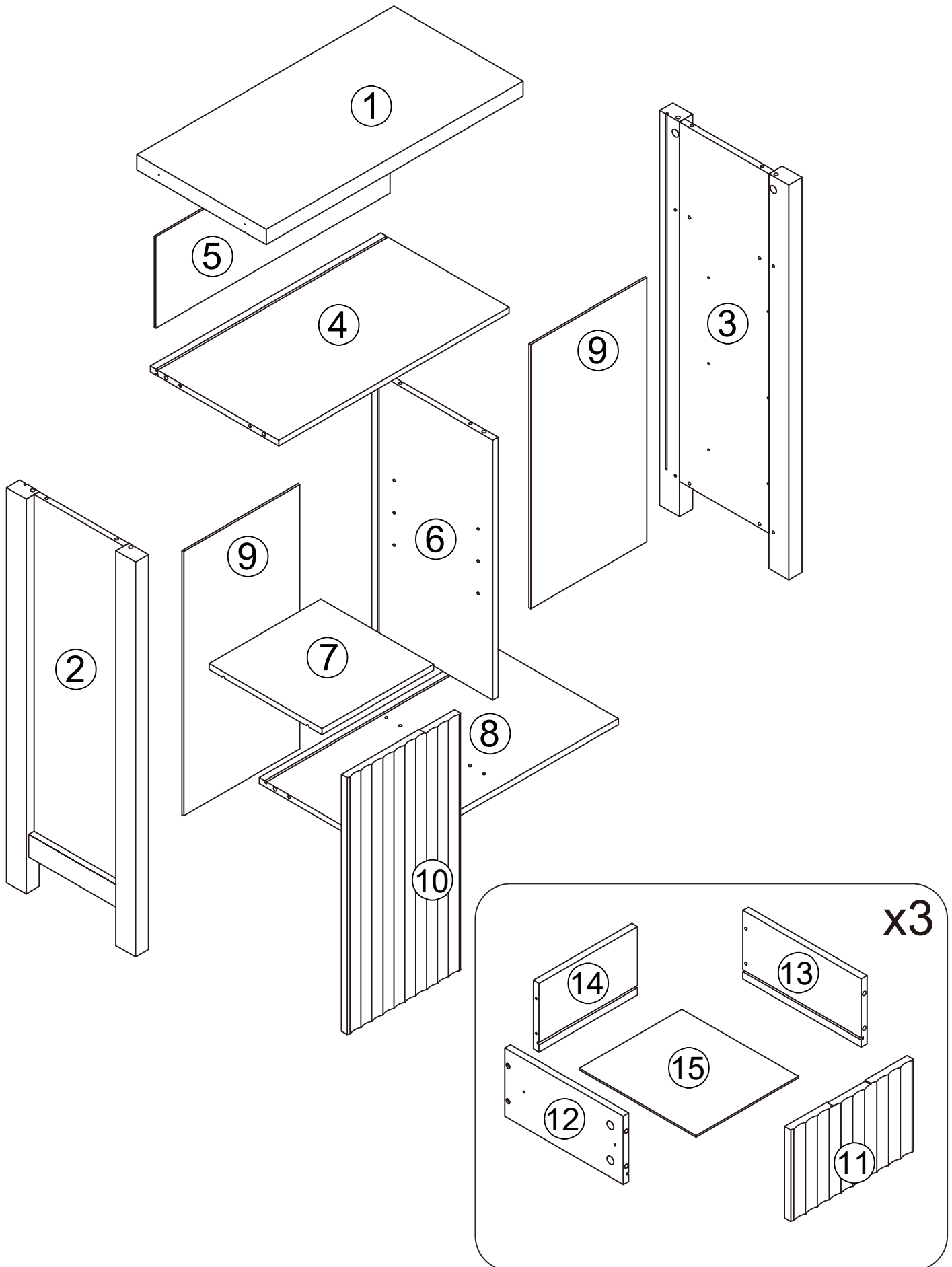
Estimated People for Assembly

2

! WARNING :

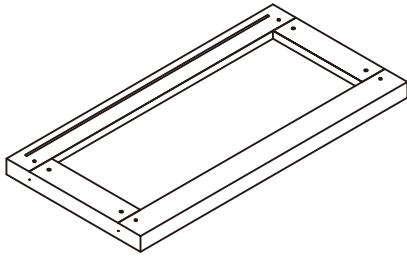
- Do not allow children to climb on unit
- Serious or fatal crushing injuries can occur from furniture tip-over. To prevent this furniture from tipping over, it must be permanently fixed to the wall. Fixing devices for the wall are not included since different wall materials require different types of fixing devices. Use fixing devices suitable for the walls in your home. For advice on suitable fixing systems, contact your local specialized dealer
- Avoid sharp objects or corrosive chemicals to prevent damage to the product
- During assembly, keep parts and packaging materials away from children and pets as there could be potential injury and choking hazards

COMPONENTS



COMPONENTS

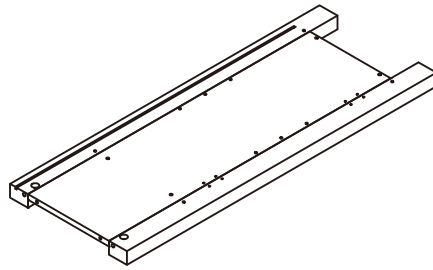
1



589x297x30mm

Top Panel x1

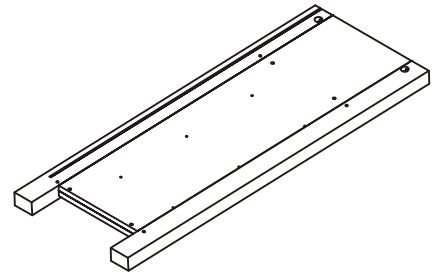
2



783x296x30mm

Left Side Panel x1

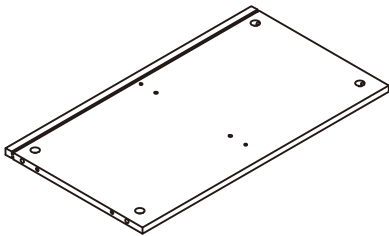
3



783x296x30mm

Right Side Panel x1

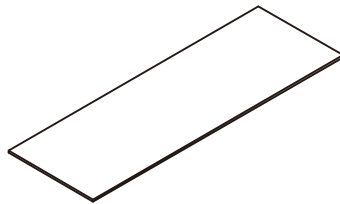
4



527x295x12mm

Upper Panel x1

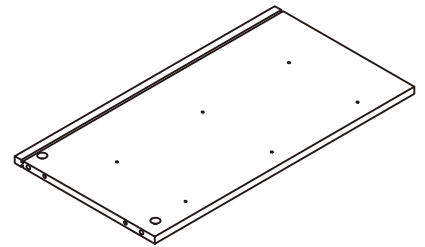
5



534x180x3mm

Upper Back Panel x1

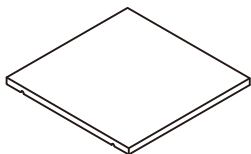
6



515x278x12mm

Middle Vertical Panel x1

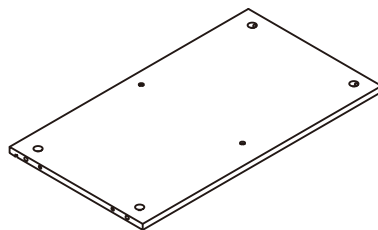
7



256x253x12mm

Left Adjustable Shelf x1

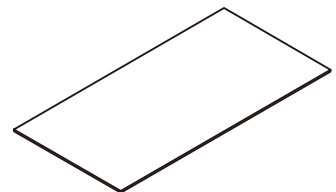
8



527x295x12mm

Bottom Panel x1

9

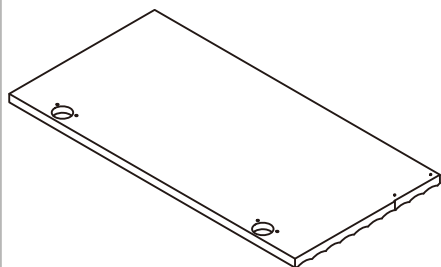


522x264x3mm

Lower Back Panel x2

COMPONENTS

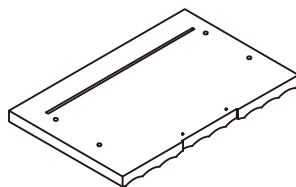
10



509x260x15mm

Left Door Panel x1

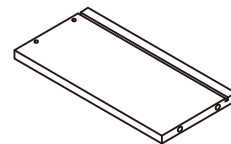
11



260x168x15mm

Right Drawer Front Panel x3

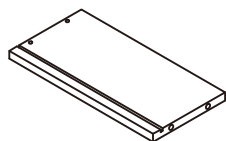
12



250x126x12mm

Drawer Left Side Panel x3

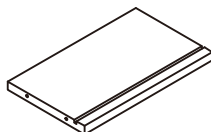
13



250x126x12mm

Drawer Right Side Panel x3

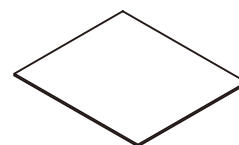
14



208x126x12mm

Drawer Back Panel x3

15

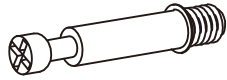


245x215x3mm

Drawer Bottom Panel x3

COMPONENTS

A



+2(spare)

Φ6X35mm

Cam Bolt x26

B

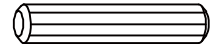


+2(spare)

Φ15X10mm

Cam Lock x26

C



+1(spare)

Φ6X30mm

Wood Dowel x16

D

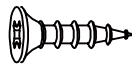


+1(spare)

Φ4X35mm

Screw x14

E

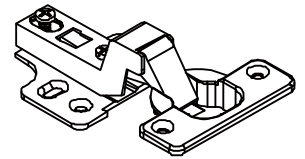


+3(spare)

Φ3X12mm

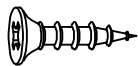
Screw x32

F



Hinge x2

G

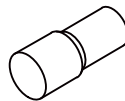


+1(spare)

Φ4X14mm

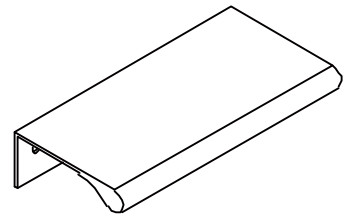
Screw x12

H



Shelf Support x4

I

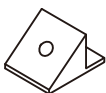


Handle x4

J

J-1

J-2



Φ3X16mm

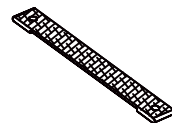
Back Panel Wedge &
Screw x8

K

K-1

K-2

K-3



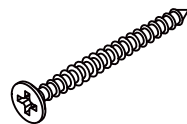
Screw & Washer &
Anti-tipping Strap x2

L

L-1

L-2

L-3



Φ4X45mm

Screw & Washer &
Plastic Anchor x2

COMPONENTS

M

M-1

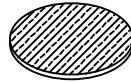


M-2



Three-Section Slide Rail x6

N



Hole Cover Sticker x4



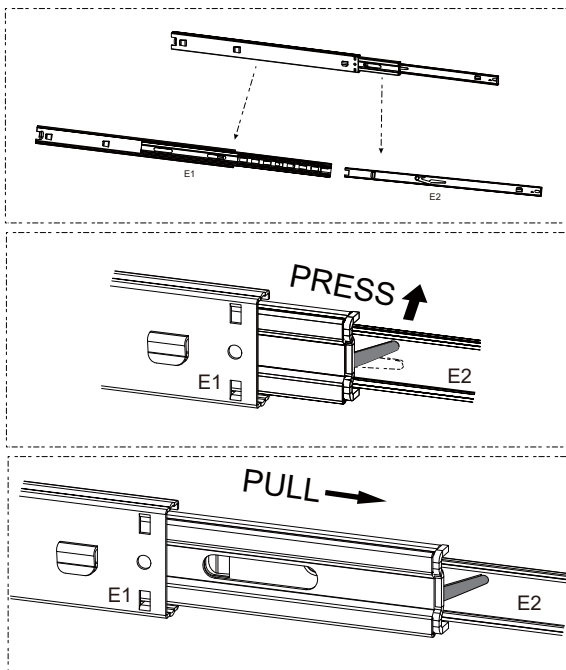
(spare)

Plastic Anchor x4

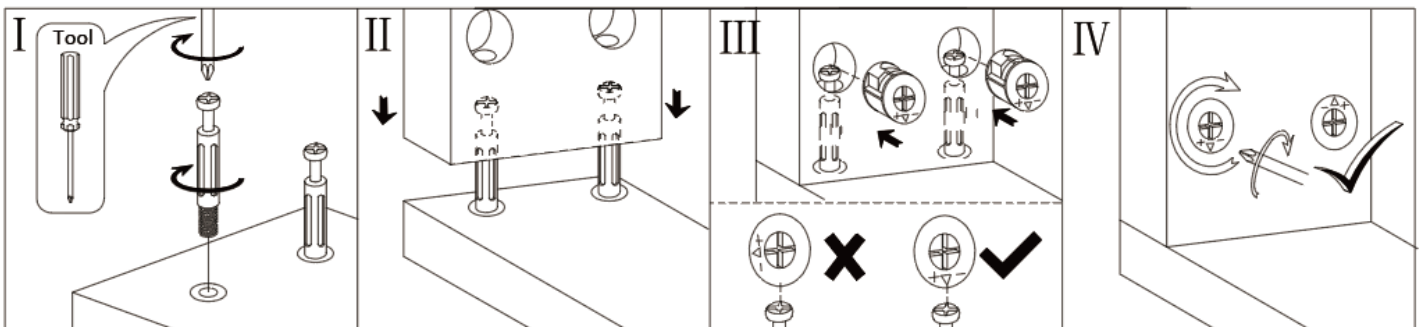
*Before assembling the drawer slide, it needs to be disassembled first.

As shown in the figure, press the detaching button on the side of the drawer slide to separate it into two parts, E1 and E2.

*Please grip the E1 part while sliding the E2 part.

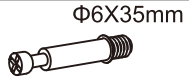


"A & B" Hardware installation example



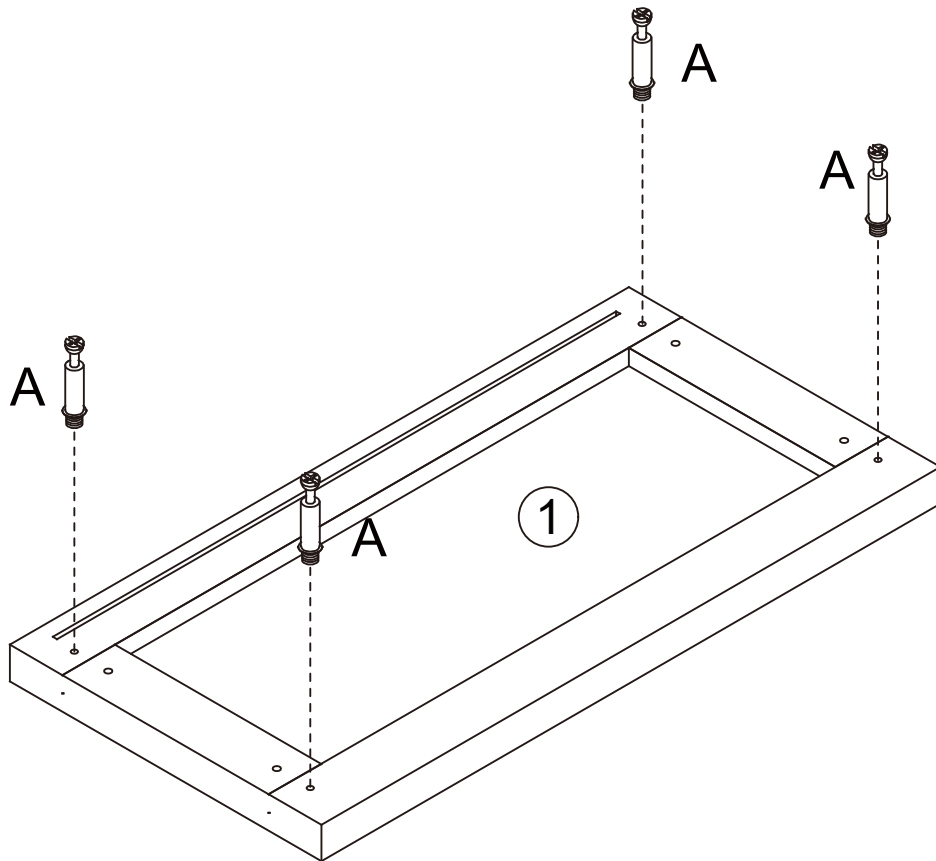
ASSEMBLY STEPS

A x 4



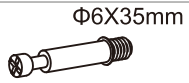
STEP 1

Fix the cam bolt (A) to panel (1).



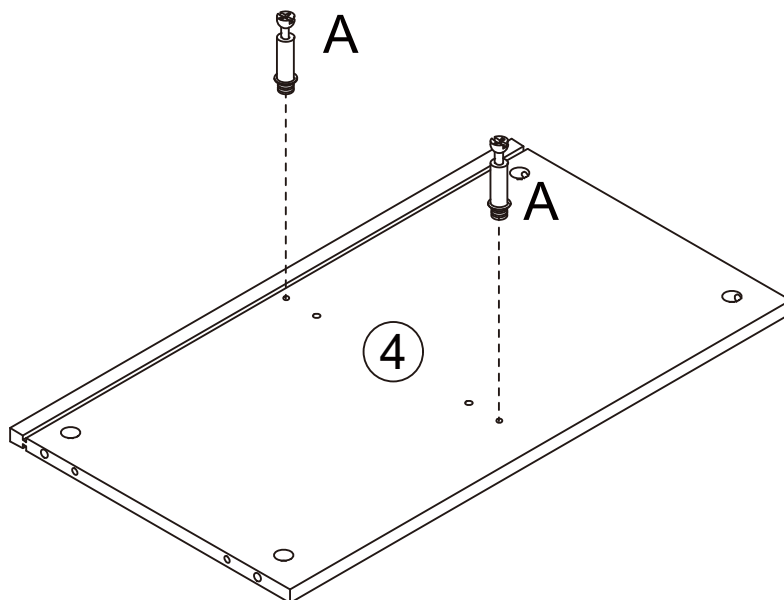
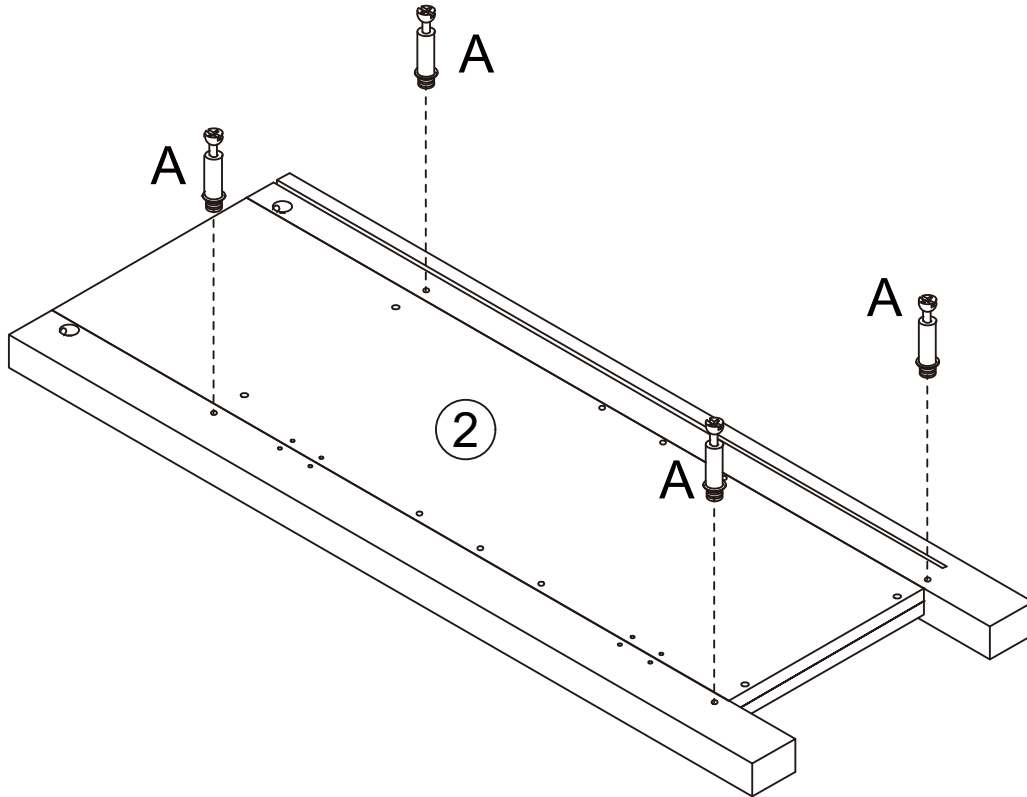
ASSEMBLY STEPS

A x 6



STEP 2

Fix the cam bolt (A) to panels (2) and (4).

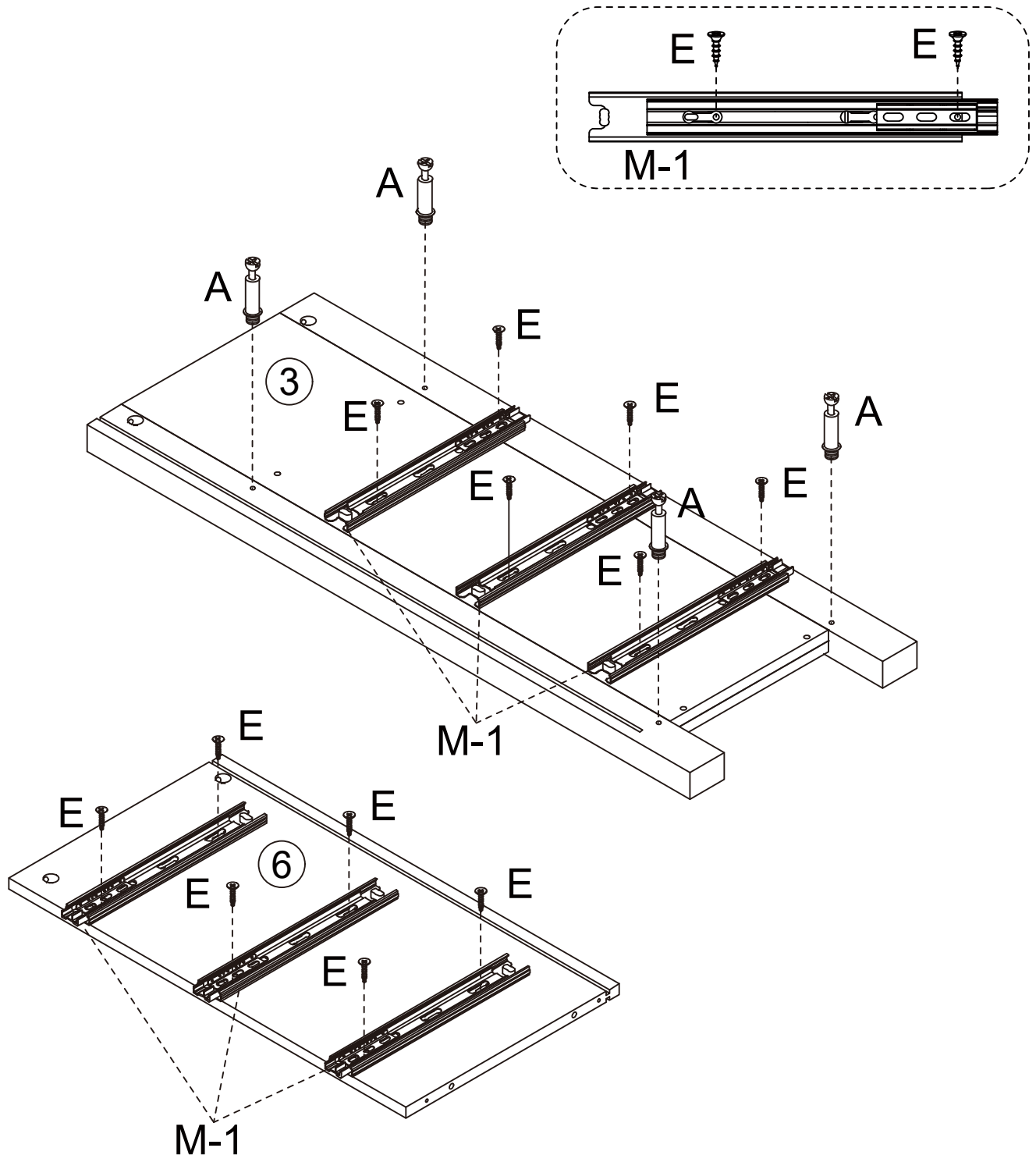


ASSEMBLY STEPS




A x 4	 $\Phi 6 \times 35 \text{mm}$	Ex 12	 $\Phi 3 \times 12 \text{mm}$	M x 6	 M-1
-------	--	-------	--	-------	--

STEP 3

1. Use screw (E) to connect the three-section slide rail (M-1) and panel (3).
2. Use screw (E) to connect the three-section slide rail (M-1) and panel (6).
3. Fix cam bolt (A) to panel (3).

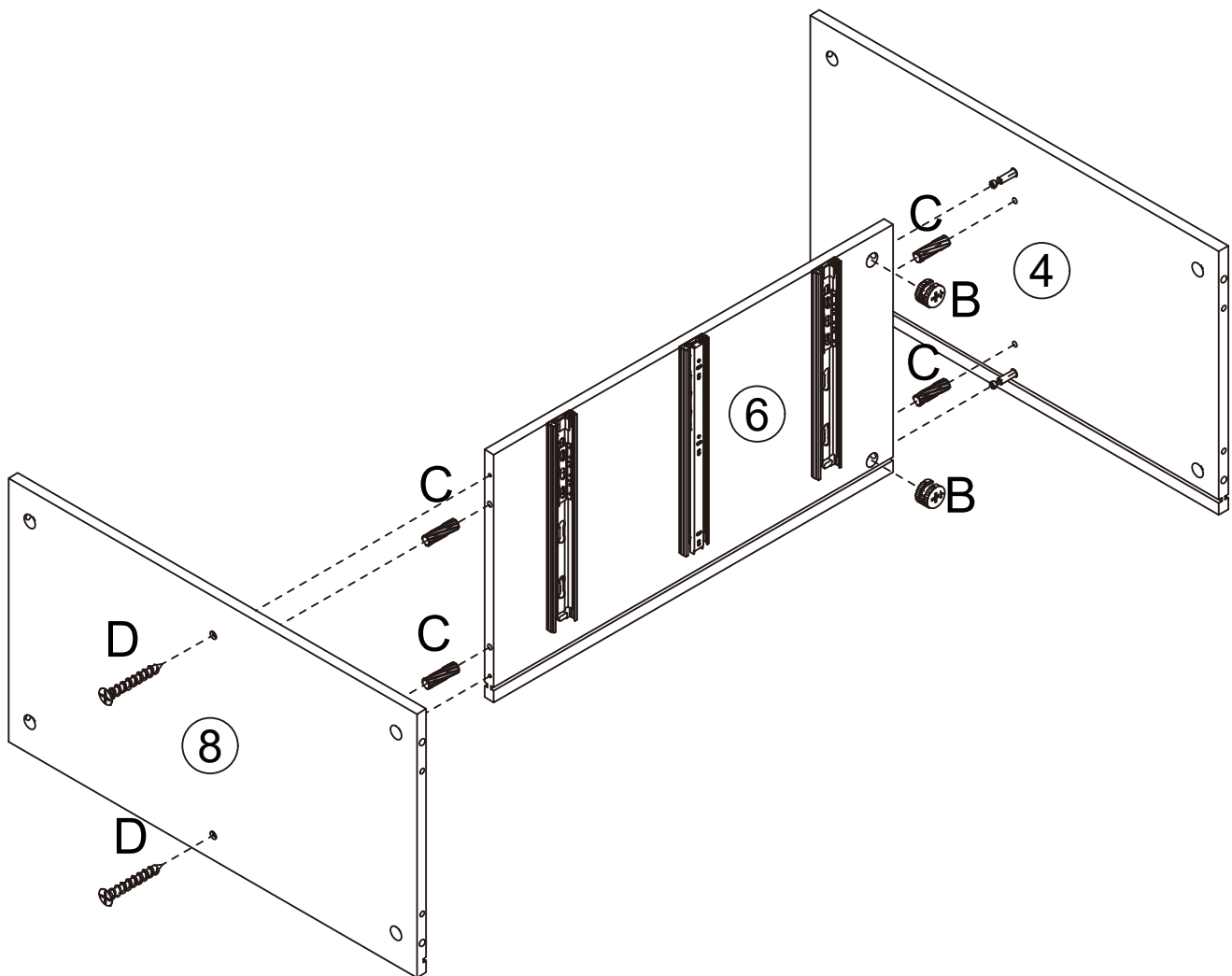


ASSEMBLY STEPS

B x 2	 $\Phi 15 \times 10 \text{mm}$	C x 4	 $\Phi 6 \times 30 \text{mm}$	D x 2	 $\Phi 4 \times 35 \text{mm}$
-------	---	-------	--	-------	---

STEP 4

1. Use wood dowel (C) to connect panels (4) and (6), then tighten with cam lock (B), and note the installation direction.
2. Use wood dowel (C) to connect panels (6) and (8), then tighten with screw (D), and note the installation direction.



ASSEMBLY STEPS

B x 8



Φ15X10mm

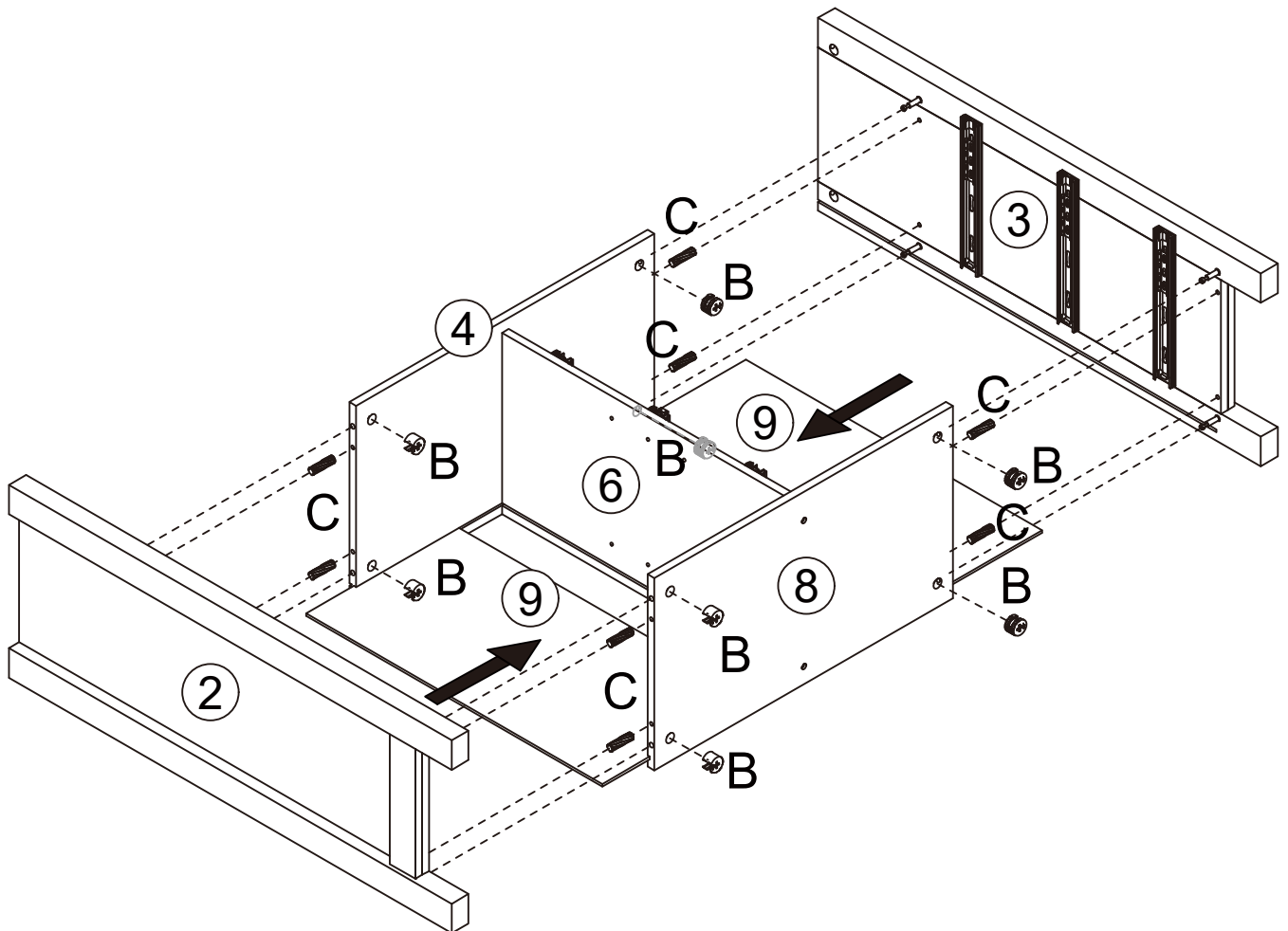
C x 8






Φ6X30mm

STEP 5

1. Insert panel (9) along the groove into the assembled frame (STEP4).
2. Use wood dowel (C) to connect panels (2), (3), (4) and (8), then tighten with cam lock (B), and note the installation direction.

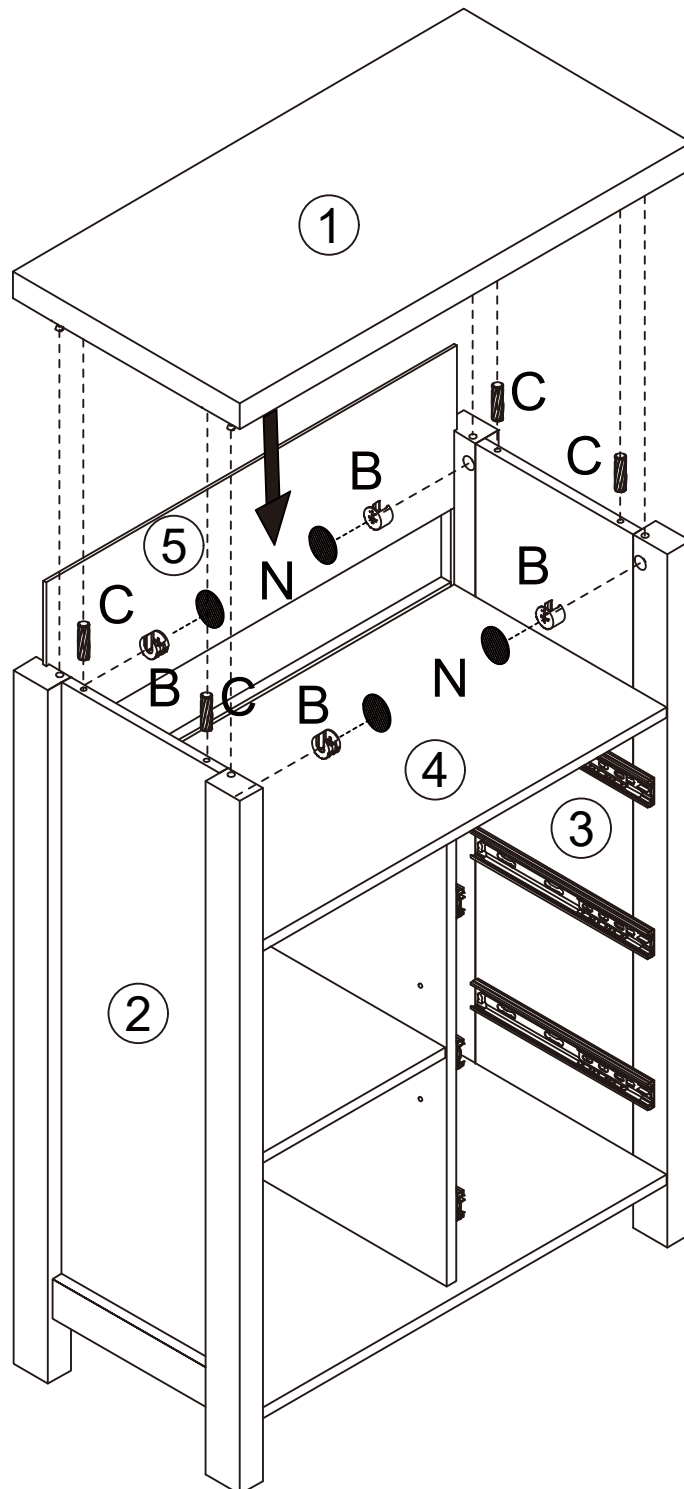


ASSEMBLY STEPS

B x 4	 $\Phi 15 \times 10 \text{mm}$	C x 4	 $\Phi 6 \times 30 \text{mm}$	N x 4	
-------	---	-------	--	-------	--

STEP 6

1. Insert panel (5) along the groove.
2. Use wood dowel (C) to connect panels (2), (3) and panel (1), then tighten with cam lock (B), and note the installation direction.
3. Stick the hole cover sticker (N) to the cam lock holes on panels (2) and (3).

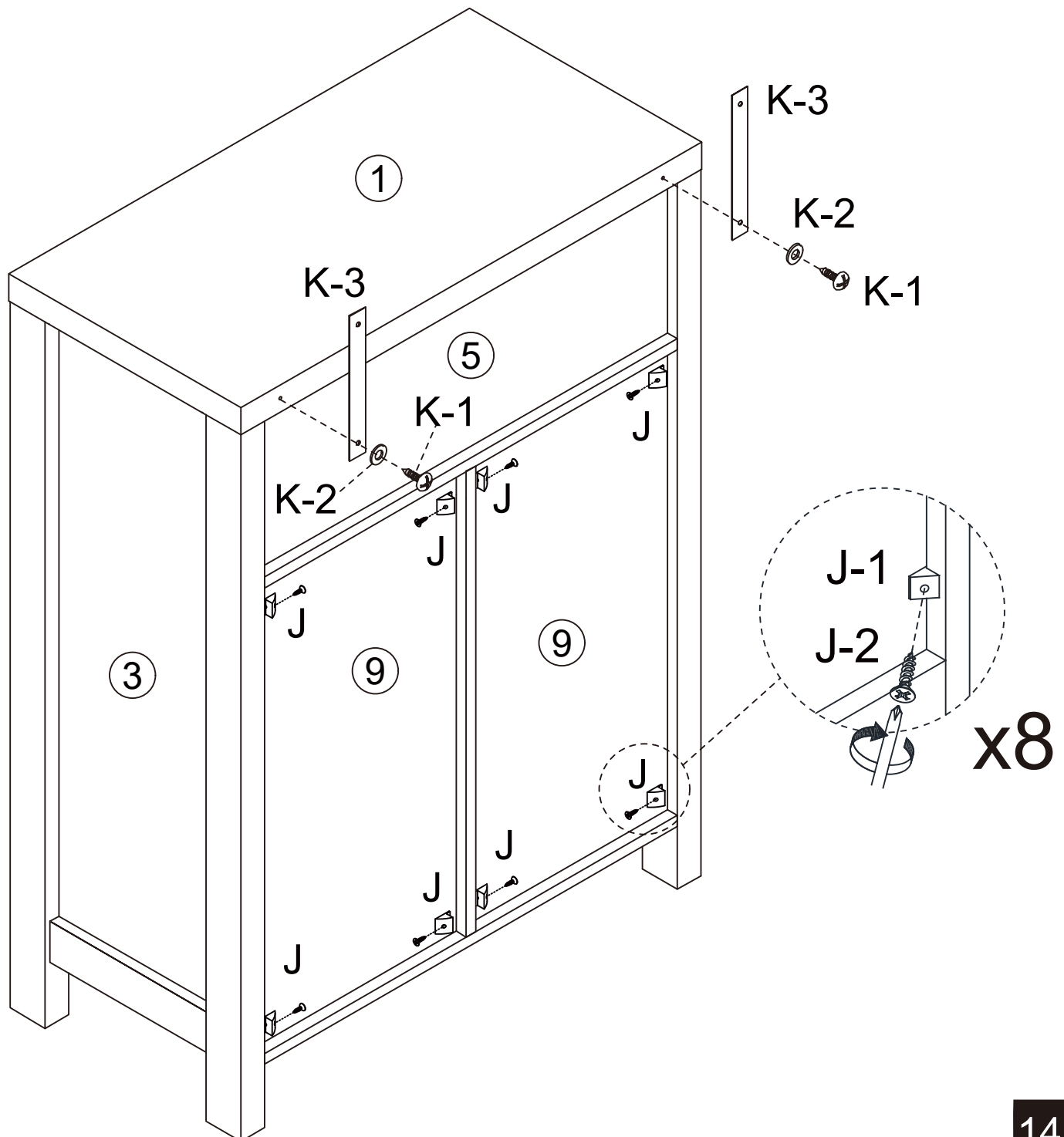


ASSEMBLY STEPS



STEP 7

1. Use screw (K-1) to pass through the washer (K-2) and fix the anti-tipping strap (K-3) to the rear of panel (1).
2. Insert the back panel wedge (J-1) into the gap beside the panel (9) and secure the back panel wedge (J-1) using screw (J-2).



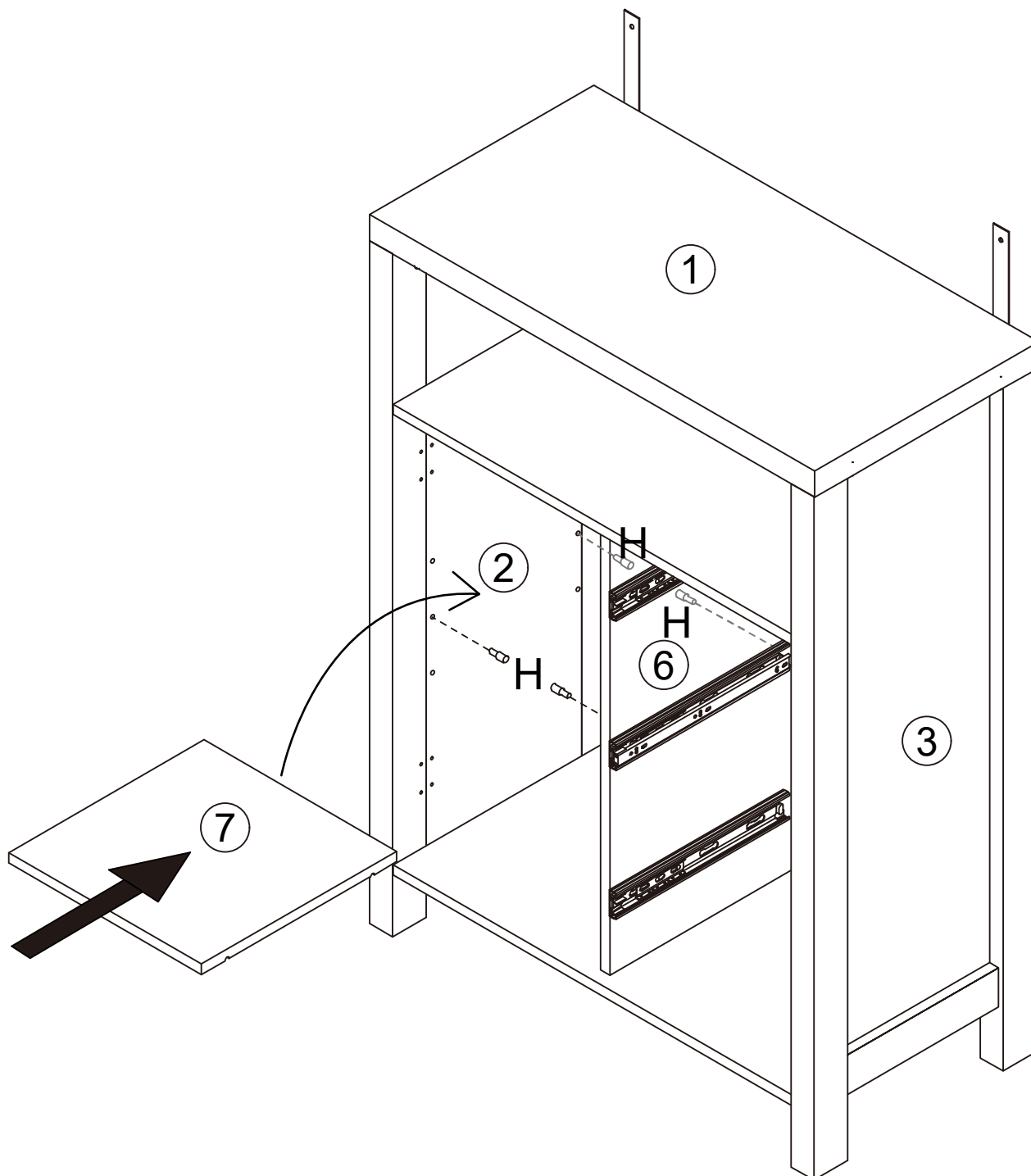
ASSEMBLY STEPS

H x 4

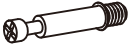
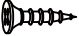





STEP 8

1. Fix the shelf support (H) to panels (2) and (6).
2. Place the adjustable shelf (7) in the cabinet, and note the installation direction.

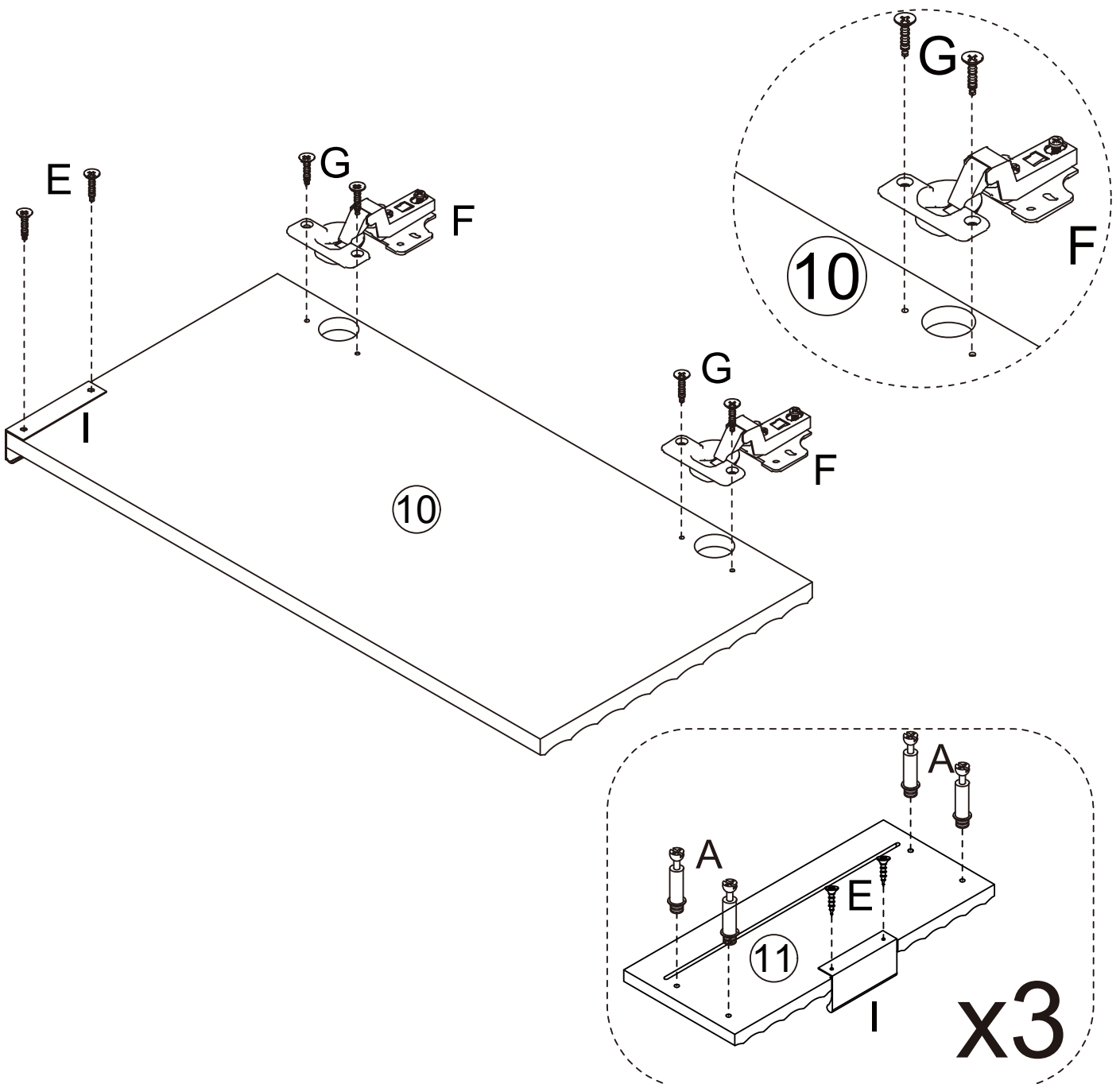


ASSEMBLY STEPS



A x 12	$\Phi 6 \times 35 \text{mm}$ 	E x 8	$\Phi 3 \times 12 \text{mm}$ 	F x 2		G x 4	$\Phi 4 \times 14 \text{mm}$ 
I x 4							

STEP 9

1. Fix the cam bolt (A) to the panel (11).
2. Fix the handle (I) to the panel (10) and panel (11) respectively with the screw (E).
3. Fix the hinge (F) to the panel (10) with the screw (G).



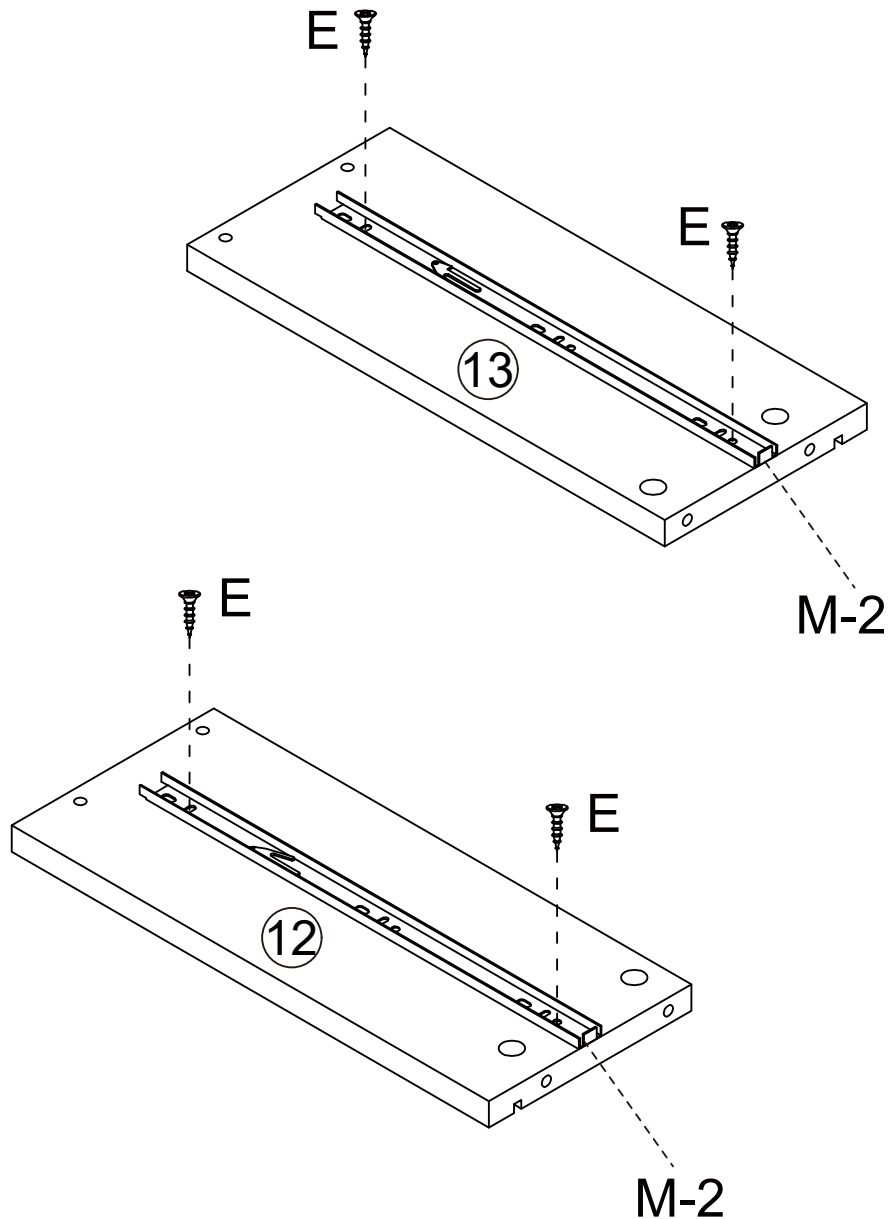
ASSEMBLY STEPS

E x 12	$\Phi 3 \times 12 \text{mm}$ 	M x 6	M-2 
--------	---	-------	--

STEP 10

Fix the three-section slide rail (M-2) to the panels (12) and (13) respectively with the screw (E).

x3

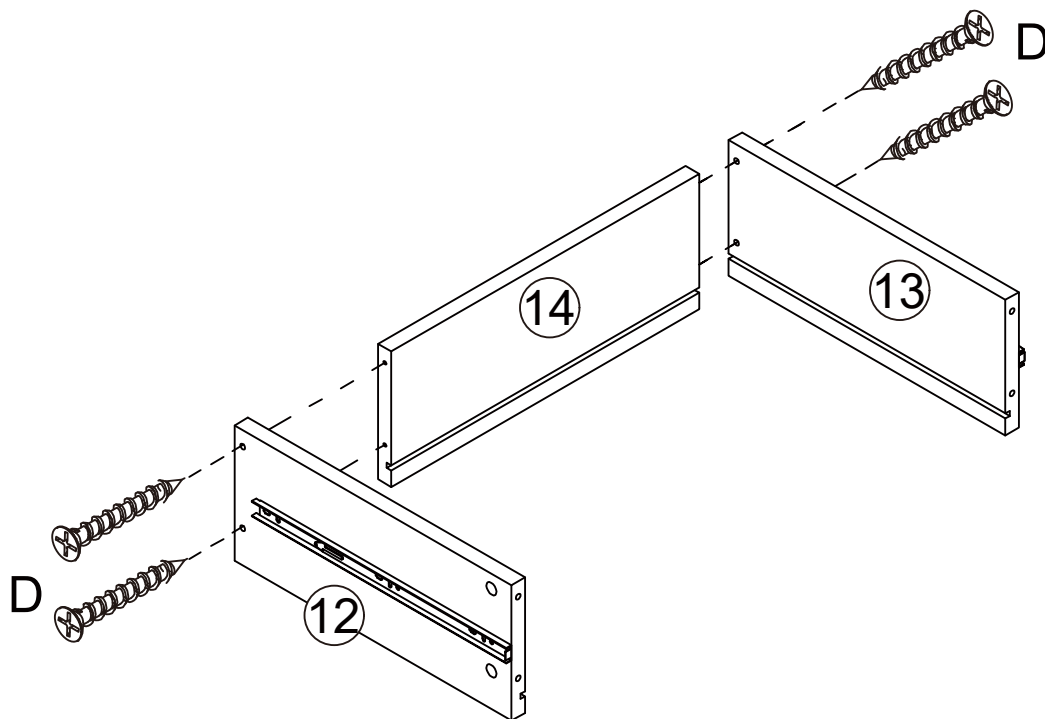


D x 12 Φ 4X35mm

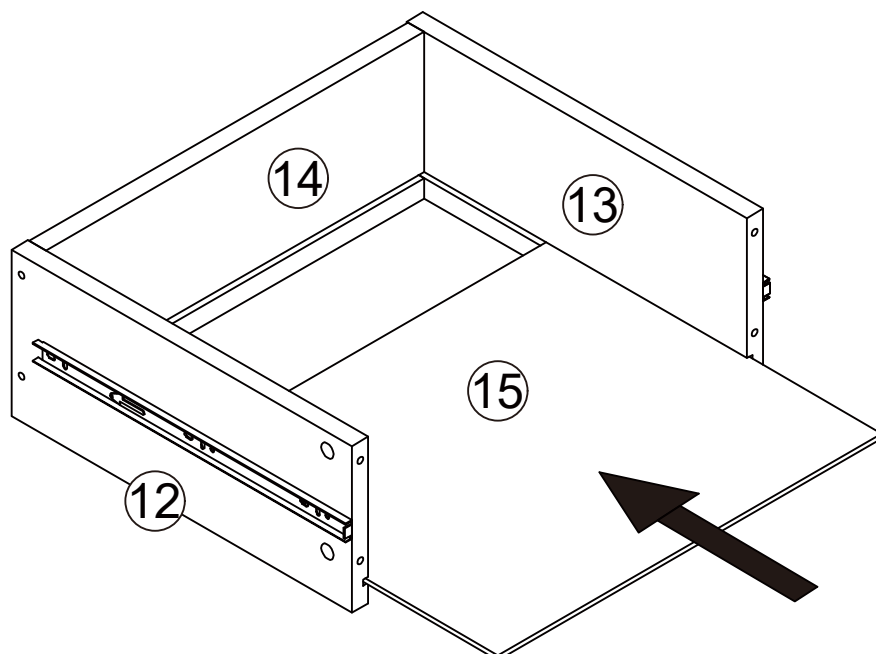


STEP 11

1. Connect the panels (12), (13) and (14), and tighten and fix them with the screw (D).
2. Insert panel (15) along the groove into the assembled frame (STEP11).

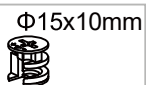


x3



ASSEMBLY STEPS

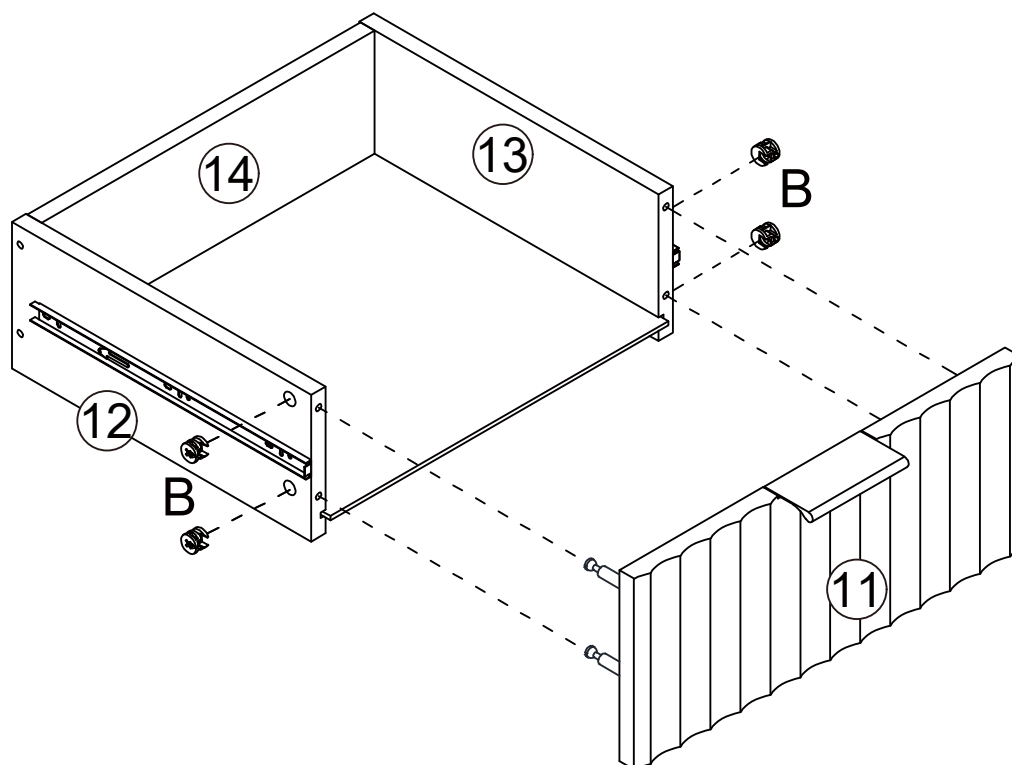
B x 12



STEP 12

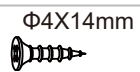
Connect panel (12) , panel (13) and panel (11) , and then tighten with cam lock (B) .

x3



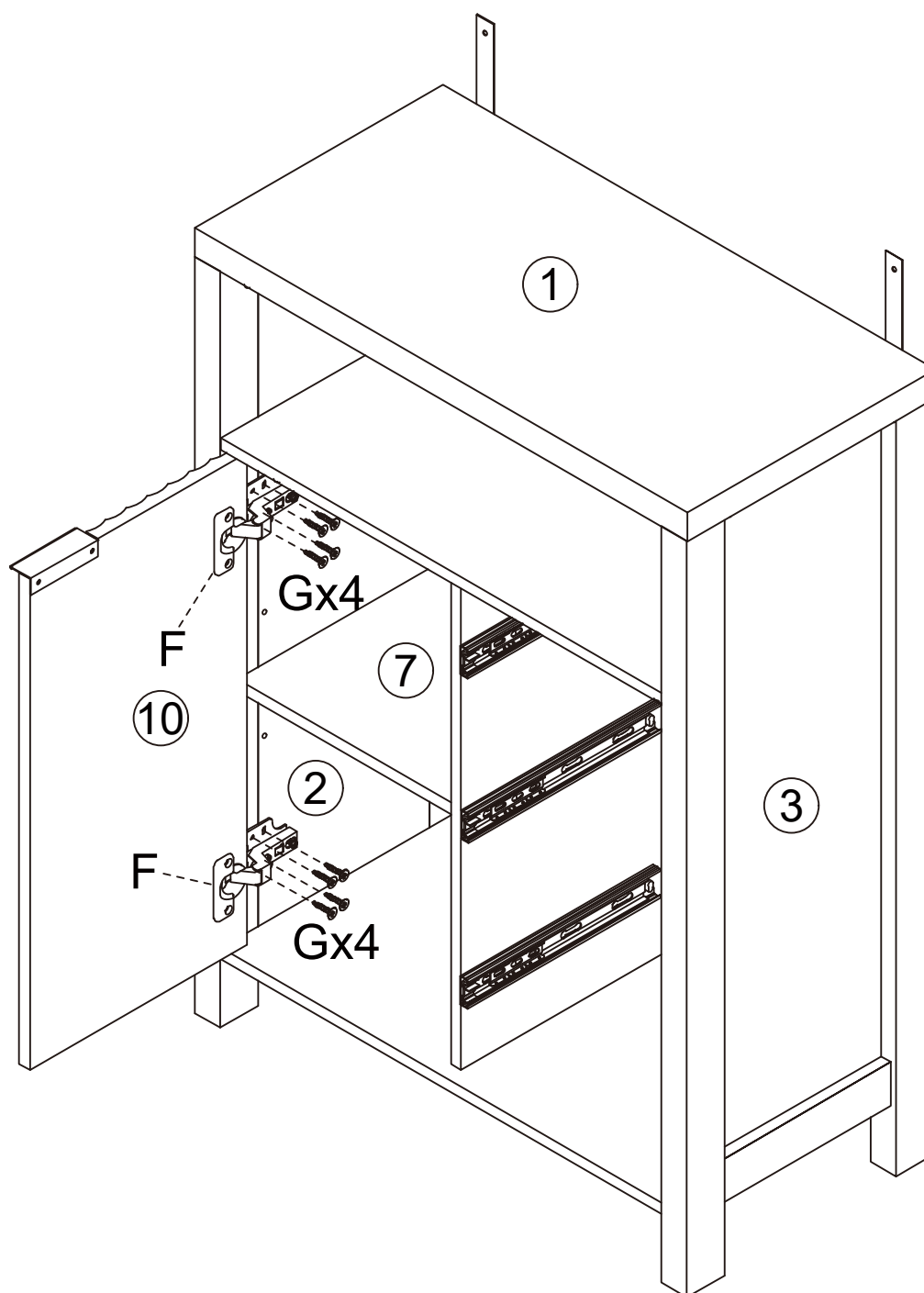
ASSEMBLY STEPS

Gx 8

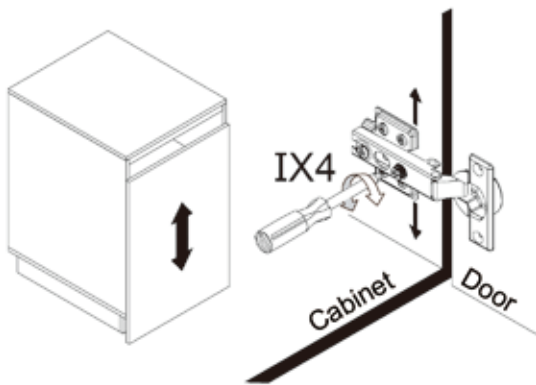
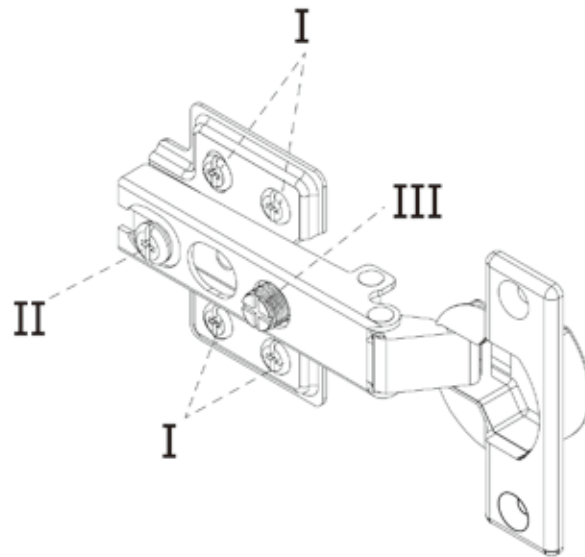


STEP 13

Align the door hinges (F) with the holes on the side panel and attach the door panel (10) to the cabinet with screw (G).

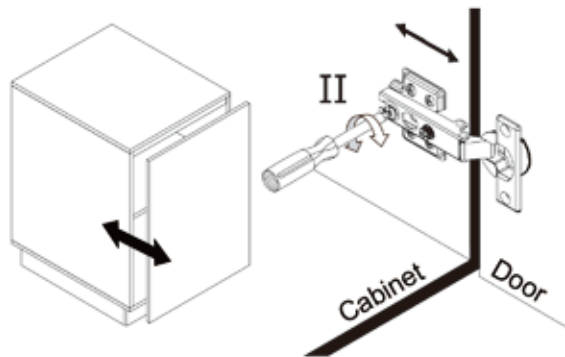


ASSEMBLY STEPS



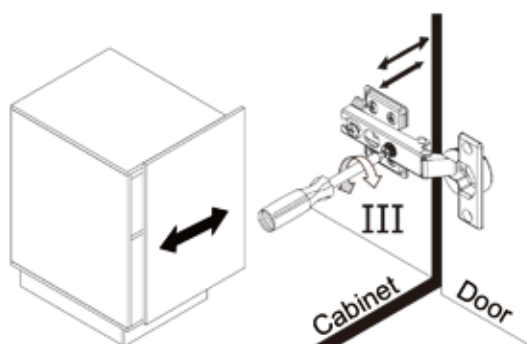
To adjust the vertical height.

Loosen the four screws "I" on both hinges. Two of them are usually in slotted holes which allows you to adjust up or down by a few mm. Then tighten back up.



To adjust depth.

Loosen screw "II" and adjust door, if the door cannot be adjusted, please loosen screw "III", then try again. Tighten screw "II" and "III"



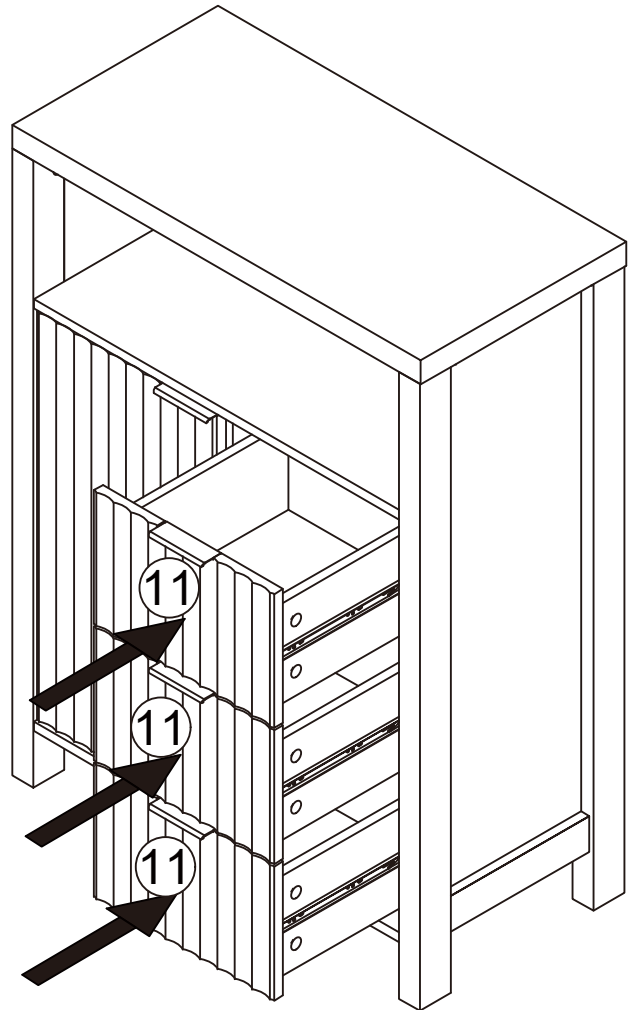
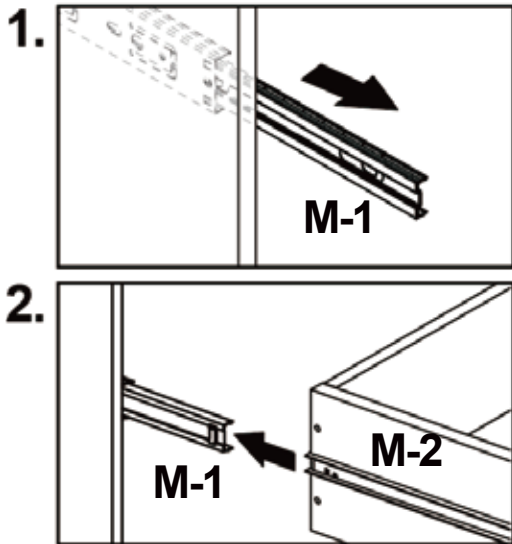
To adjust side ways.

Turning the screw "III" on both hinges on each door.

ASSEMBLY STEPS

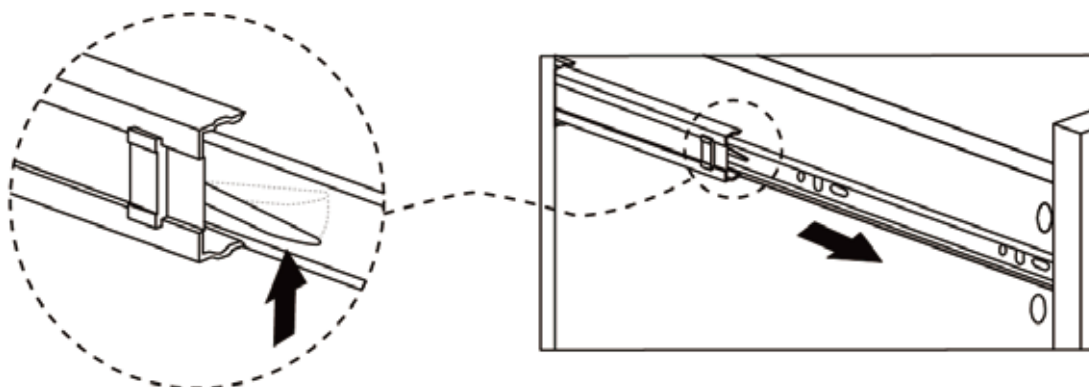
STEP 14

Align the slides on the drawer and cabinet, and then gently push the drawer into the cabinet.

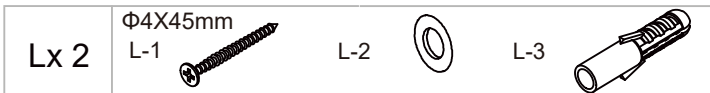


Drawer Disassembly

If you need to remove the drawer, lift the lever on the left side slide upward and push down the lever on the right side slide, then slowly pull out the drawer.

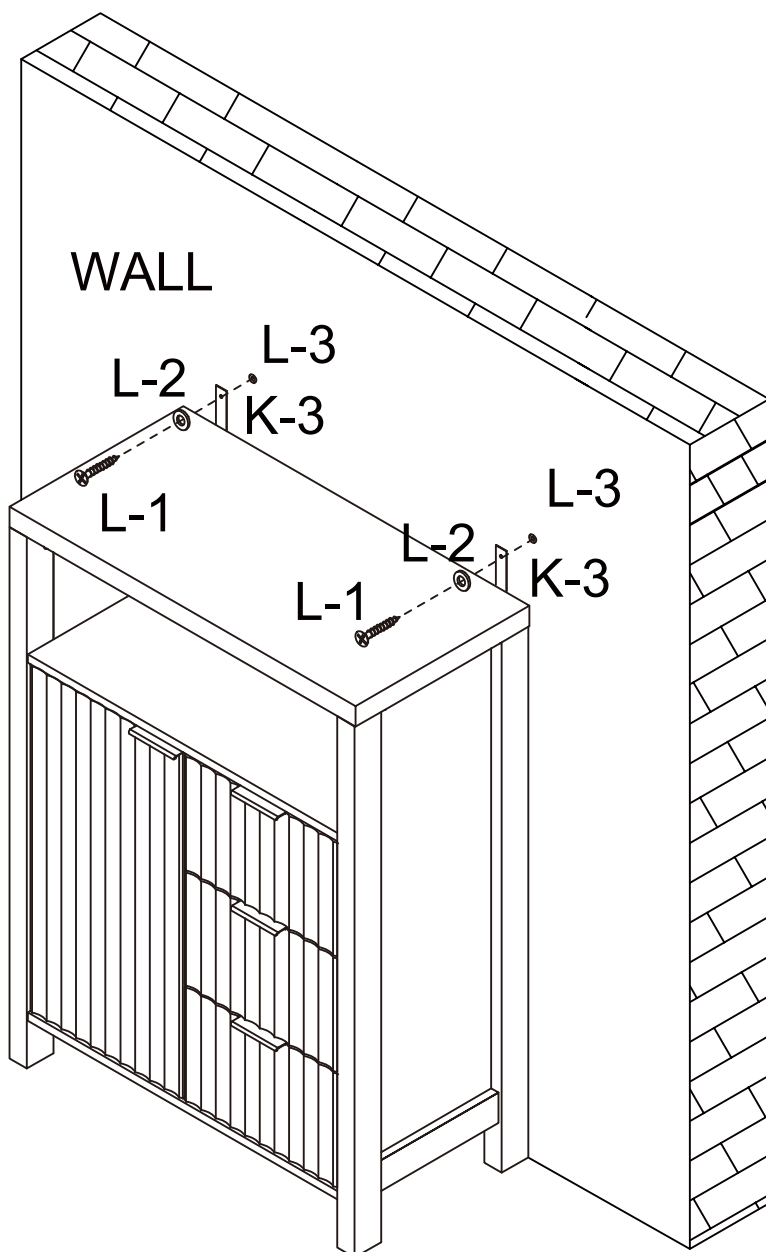
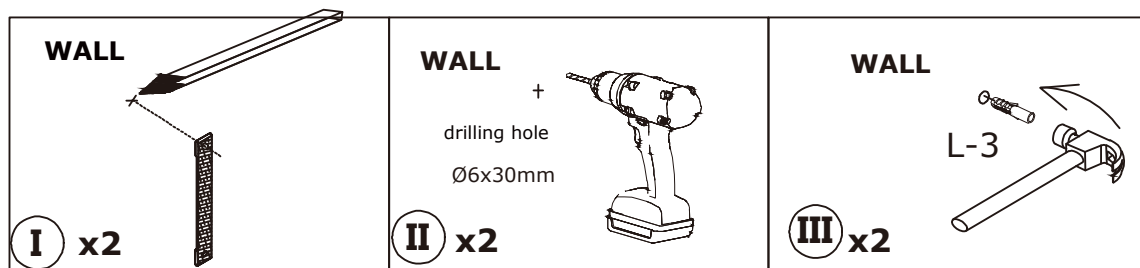


ASSEMBLY STEPS



STEP 15

Drill two holes in the wall, embed the plastic anchor (L-3) and then use screw (L-1) to pass through the washer (L-2) and fix the anti-tipping strap (K-3) to the wall.



Supplementary Instructions for Safe Use

English

WARNING



Children have died from furniture tipover. To reduce the risk of furniture tipover:

- ALWAYS install tipover restraint provided.
- NEVER put a TV on this product.
- NEVER allow children to stand, climb or hang on drawers, doors, or shelves.
- NEVER open more than one drawer at a time.
- Place heaviest items in the lowest drawers.
- Do not defeat or remove the drawer interlock system.

This is a permanent label.

Do not remove!

French

ATTENTION



Des enfants sont morts du basculement des meubles. Pour réduire le risque de basculement des meubles:

- TOUJOURS installer la retenue de basculement fournie.
- NE JAMAIS mettre de téléviseur sur ce produit.
- NE JAMAIS permettre aux enfants de se tenir debout, de grimper, ou de s'accrocher à des tiroirs, des portes ou des étagères.
- N'ouvrez JAMAIS plus d'un tiroir à la fois.
- Placez les objets les plus lourds dans les tiroirs les plus bas.
- Ne désactivez pas et ne retirez pas le système de verrouillage du tiroir.

Ceci est une étiquette permanente.

Ne pas enlever!

German

WARNUNG



Kinder sind an einem Möbelkipp gestorben. So verringern Sie das Risiko eines Umkippens von Möbeln:

- Installieren Sie **IMMER** die mitgelieferte Kipprückhaltevorrichtung.
- Stellen Sie **NIEMALS** einen Fernseher an dieses Produkt.
- Lassen Sie Kinder **NIEMALS** an Schubladen, Türen oder Regalen stehen klettern oder hängen.
- Öffnen Sie **NIEMALS** mehr als eine Schublade gleichzeitig.
- Legen Sie schwerste Gegenstände in die untersten Schubladen.
- Besiegen oder entfernen Sie das Schubladenverriegelungssystem nicht.

Dies ist ein dauerhaftes Etikett.

Nicht entfernen!