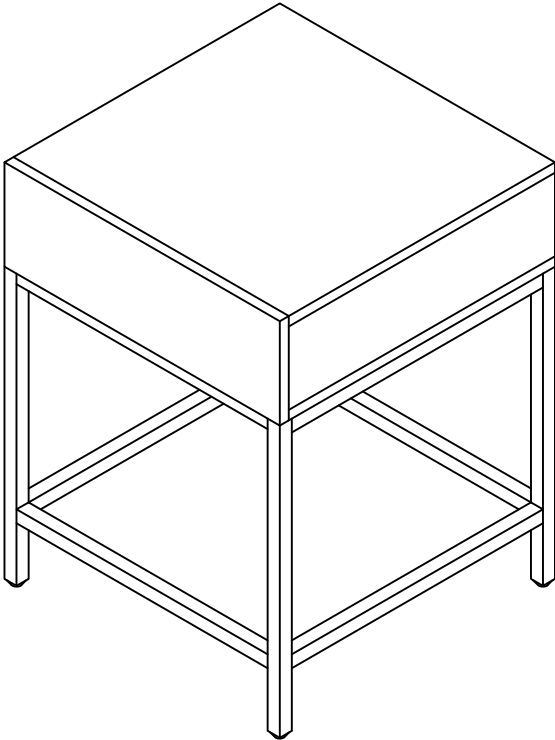
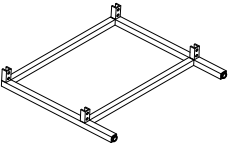
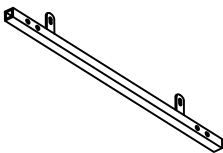
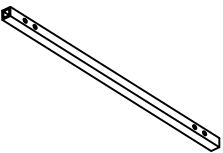
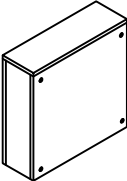


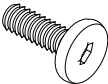
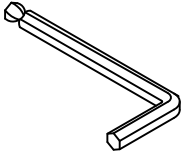
End Table



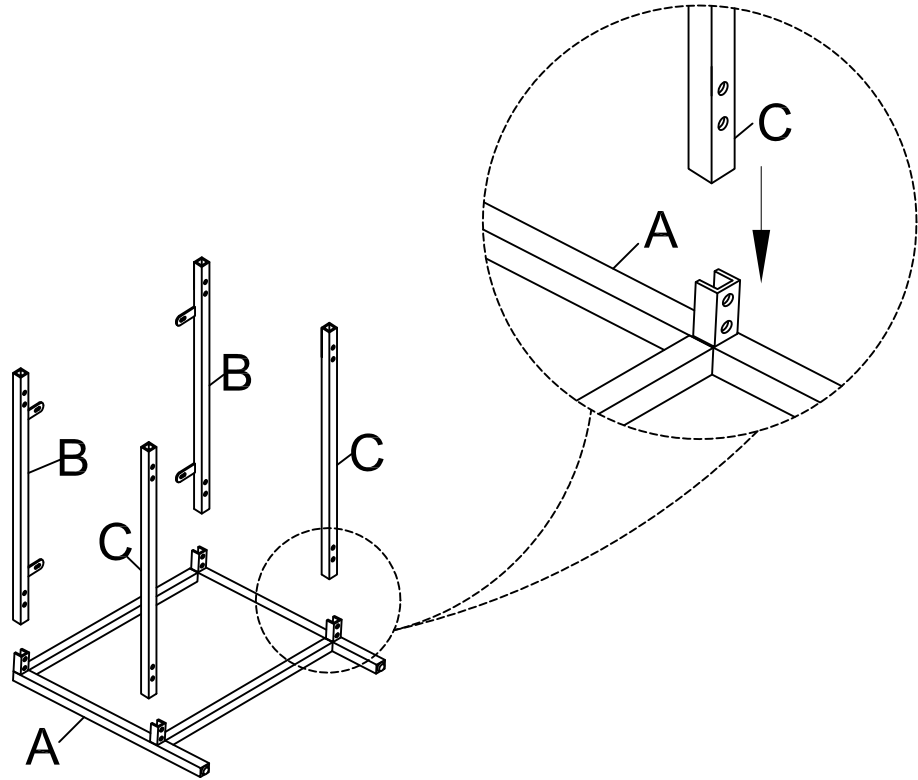
PART LIST

<div data-bbox="113 136 161 188" style="border: 1px solid black; padding: 2px; text-align: center;">A</div> 	<div data-bbox="395 136 443 188" style="border: 1px solid black; padding: 2px; text-align: center;">B</div> 	<div data-bbox="678 136 726 188" style="border: 1px solid black; padding: 2px; text-align: center;">C</div> 	<div data-bbox="960 136 1008 188" style="border: 1px solid black; padding: 2px; text-align: center;">D</div> 
<p style="text-align: center;">Side Frame</p> <p style="text-align: center;">2 PCS</p>	<p style="text-align: center;">Top Cross Rail</p> <p style="text-align: center;">2 PCS</p>	<p style="text-align: center;">Bottom Cross Rail</p> <p style="text-align: center;">2 PCS</p>	<p style="text-align: center;">Top</p> <p style="text-align: center;">1 PC</p>

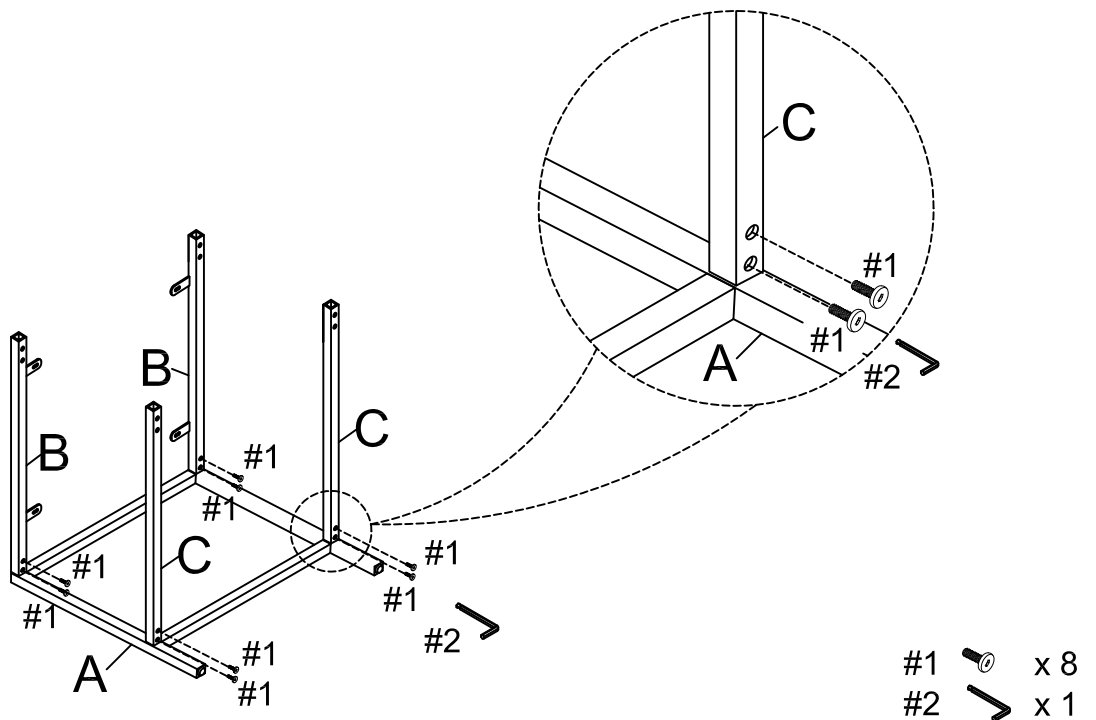
HARDWARE LIST

<div data-bbox="113 981 181 1032" style="border: 1px solid black; padding: 2px; text-align: center;">#1</div>  <p style="text-align: center;">1/2"*Ø1/4"*D11</p>	<div data-bbox="400 981 469 1032" style="border: 1px solid black; padding: 2px; text-align: center;">#2</div> 
<p style="text-align: center;">Bolt</p> <p style="text-align: center;">20 PCS (Extra 1)</p>	<p style="text-align: center;">Allen Wrench</p> <p style="text-align: center;">1 PC</p>

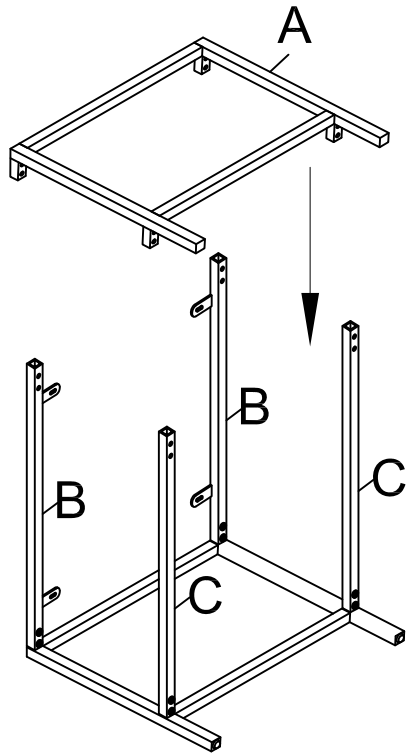
Step 1. Insert cross rails (parts B & C) into side frame (part A).



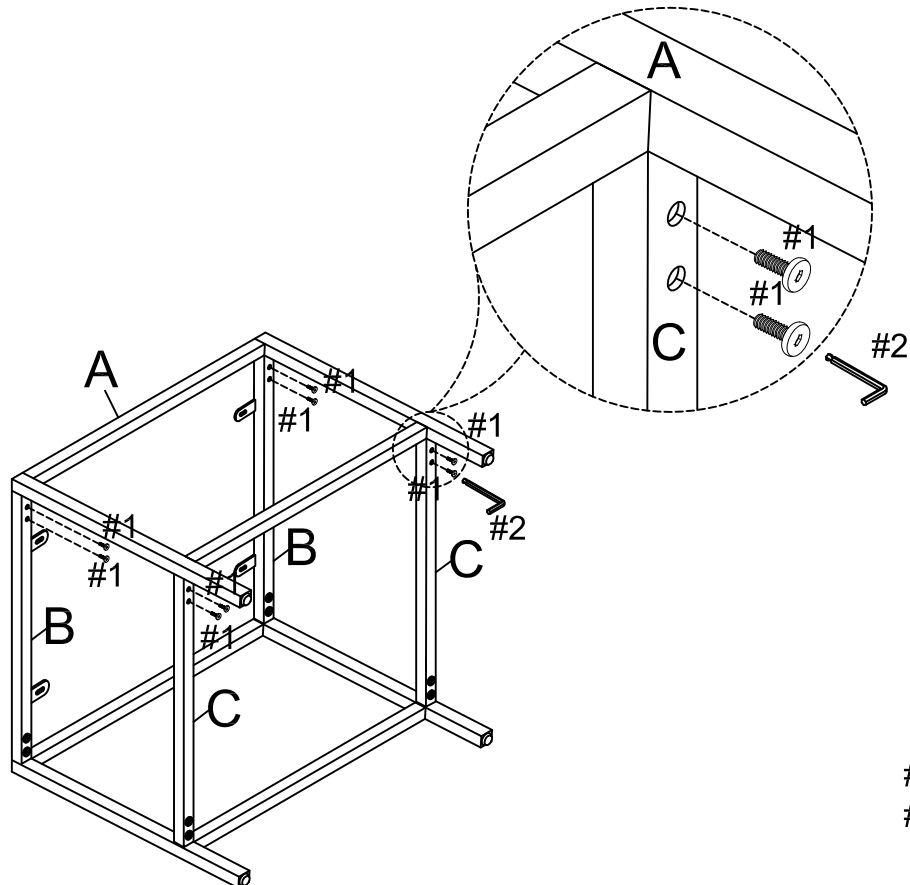
Step 2. Secure cross rails (parts B & C) and side frame (part A) using bolts (part #1) and allen wrench (part #2).





Step 3. Insert side frame (part A) into cross rails (parts B & C).



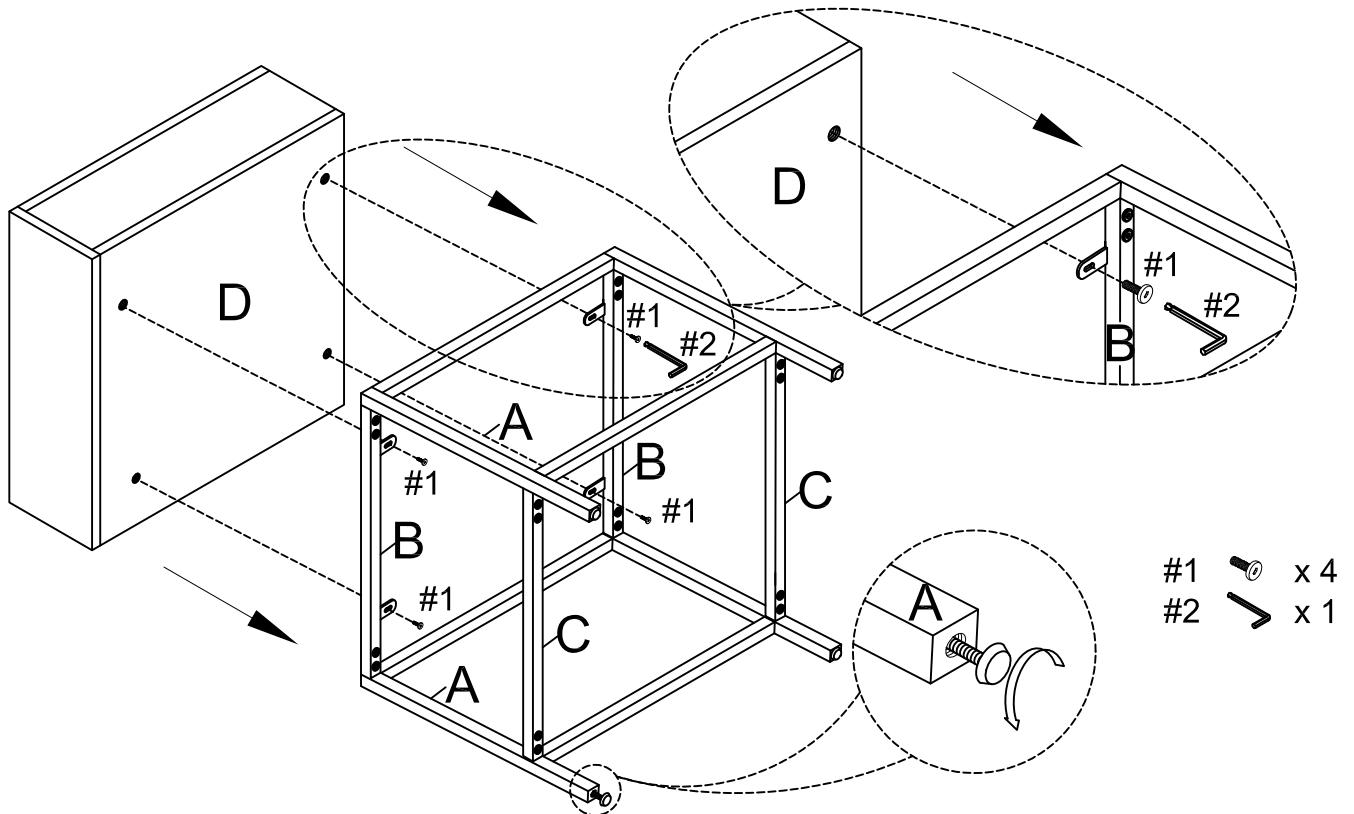
Step 4. Secure the assembled unit (parts A, B & C) using bolts (part #1) and allen wrench (part #2).



#1  x 8
#2  x 1

Step 5. Attach assembled unit (parts A, B & C) to top (part D) using bolts (part #1) and allen wrench (part #2).

NOTE: It is important to adjust levelers once fully assembled and upright. Extend adjustable leveler until it's firmly in contact with the floor. If relocating, adjust leveler as needed until it's firmly in contact with the floor in new location.



Step 6. Carefully turn unit upright.

