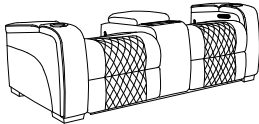

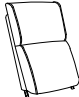

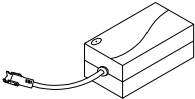



Assembly Instruction

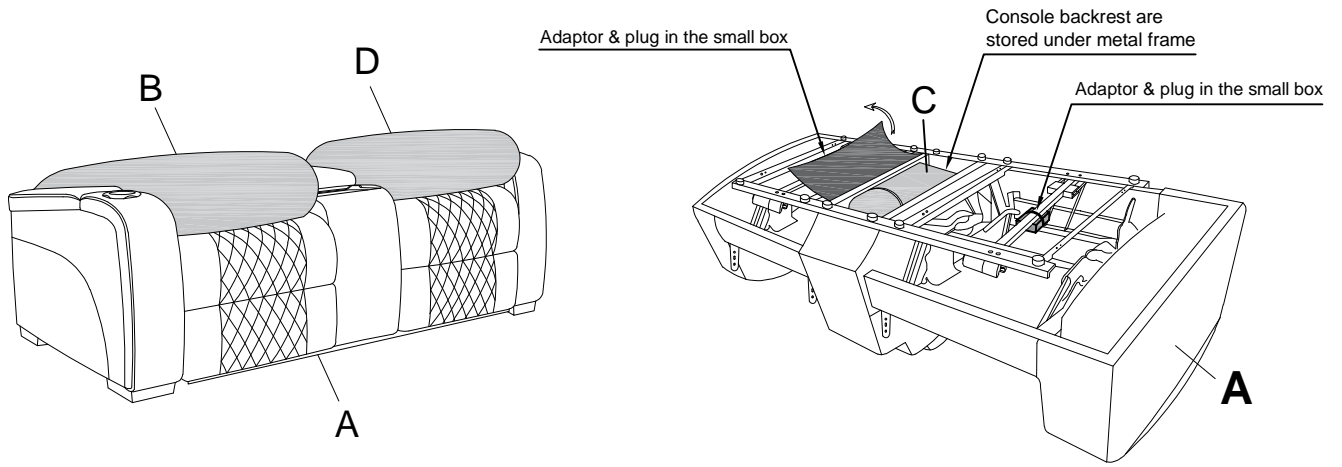
Power Double Reclining Love Seat with Center Console, Power Headrests, Storage Arms with Cup Holders, Wireless charger, Air Massage and Heat, LED Lighting and Charging Ports

Note: Do not use power tools for assembly. Power tools increase the risk of over tightening which lead to splitting or cracking the wood.

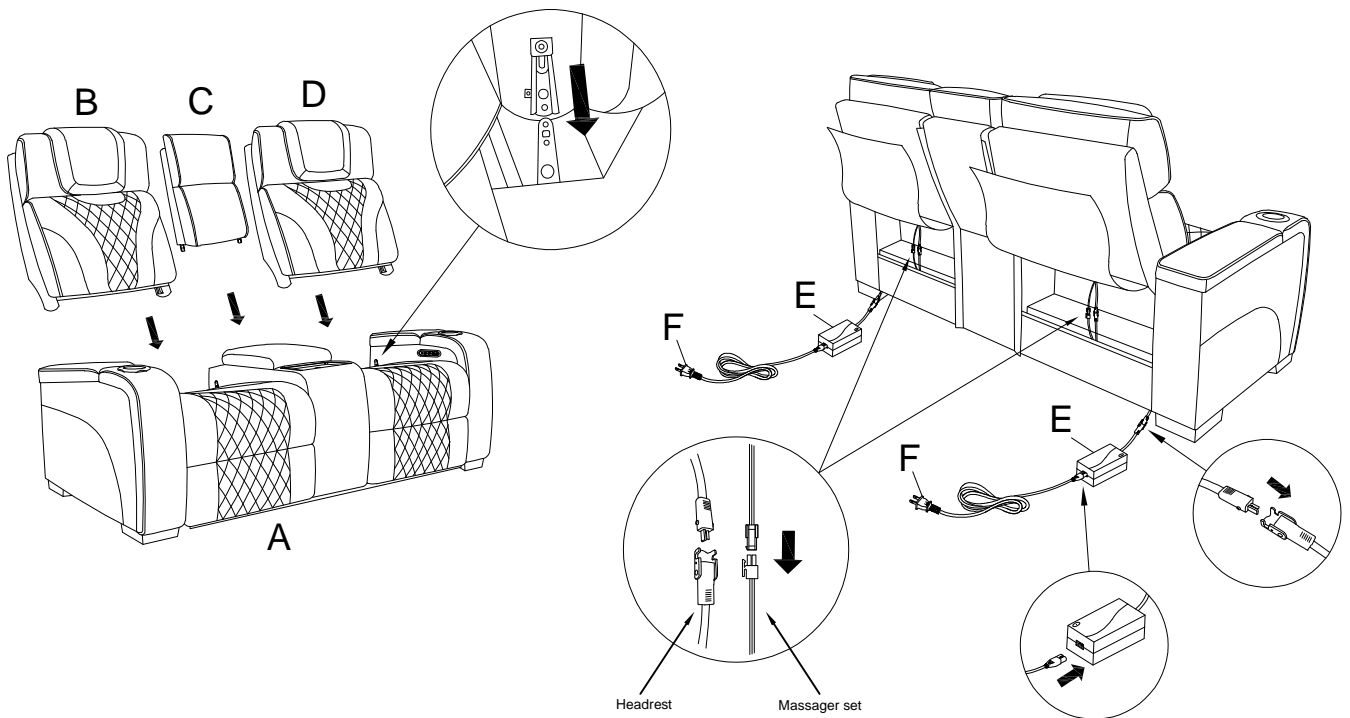
Component list

No	Drawing	Qty	Description
A		1	SEAT
B		1	LSF BACK REST
C		1	CONSOLE BACK REST
D		1	RSF BACK REST
E		2	ADAPTOR
F		2	PLUG

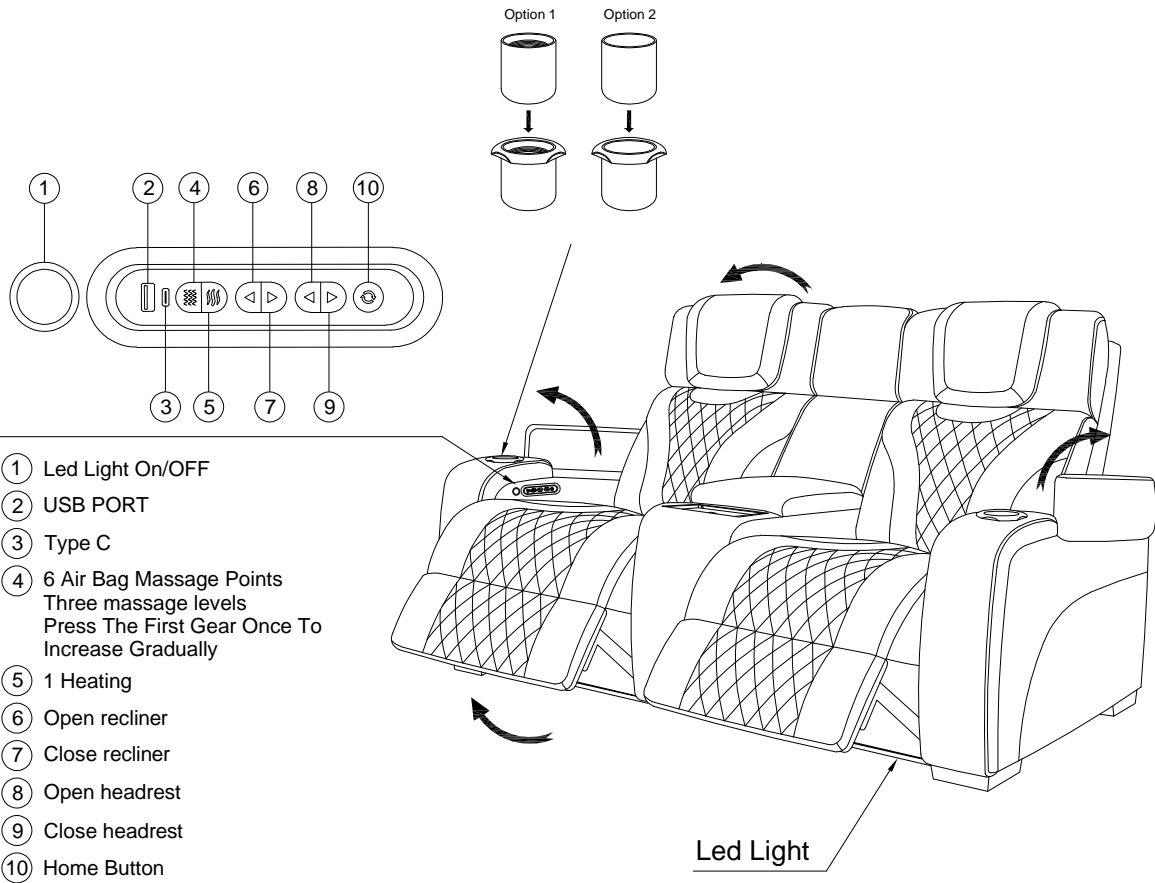
Step #1



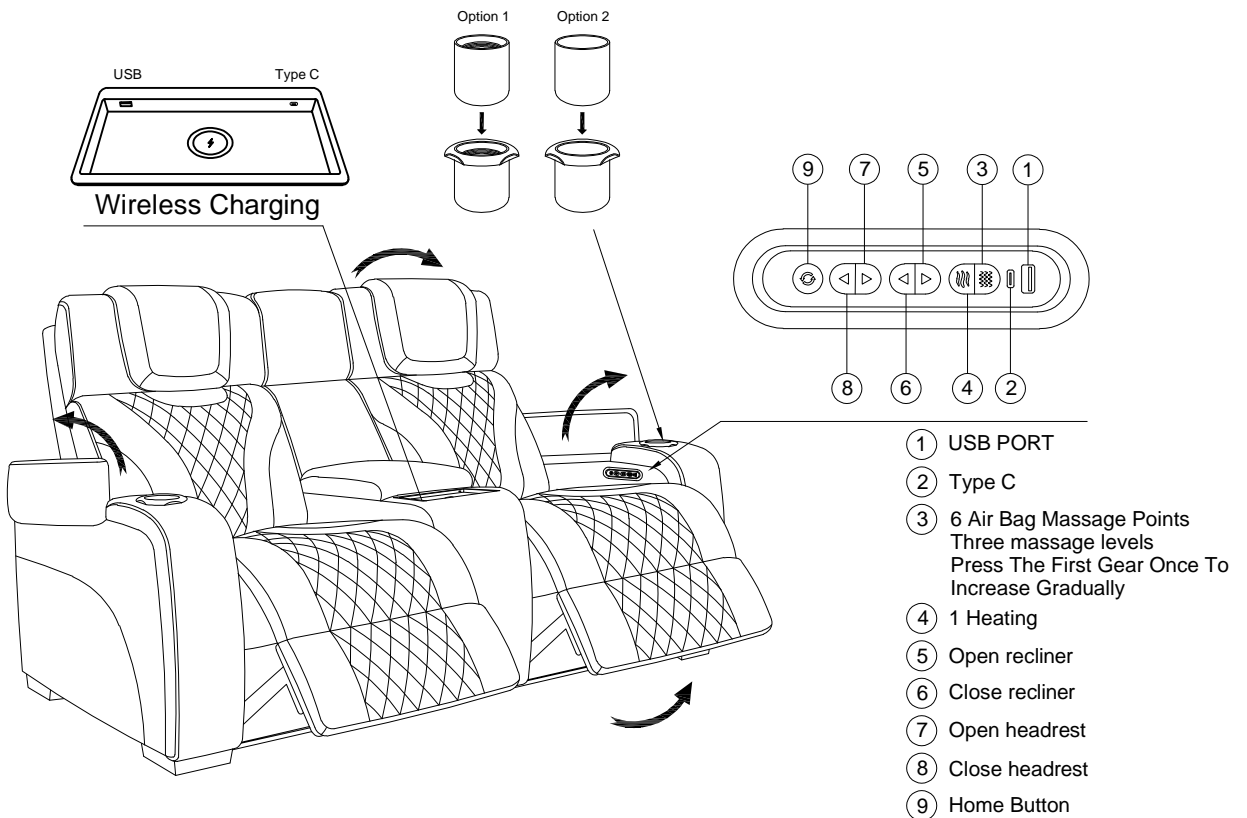
Step #2



Step #3

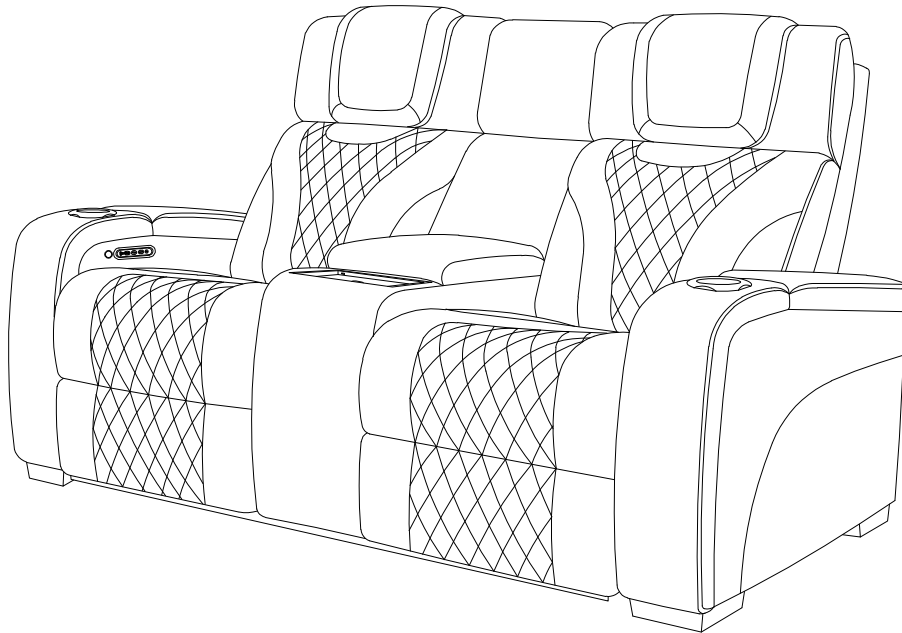


- ① Led Light On/OFF
- ② USB PORT
- ③ Type C
- ④ 6 Air Bag Massage Points
Three massage levels
Press The First Gear Once To
Increase Gradually
- ⑤ 1 Heating
- ⑥ Open recliner
- ⑦ Close recliner
- ⑧ Open headrest
- ⑨ Close headrest
- ⑩ Home Button



Wireless Charging

- ① USB PORT
- ② Type C
- ③ 6 Air Bag Massage Points
Three massage levels
Press The First Gear Once To
Increase Gradually
- ④ 1 Heating
- ⑤ Open recliner
- ⑥ Close recliner
- ⑦ Open headrest
- ⑧ Close headrest
- ⑨ Home Button



Care Instruction for Genuine Leather match with PVC Furniture:

In order to maintain the original appearance of your Genuine Leather match with PVC, please follow below simple care procedures:

- Avoid exposing furniture directly to sunlight or heating and air conditioning outlets. Sunlight and/or exposure to heating and air conditioning outlets will fade/damage Genuine Leather match with PVC.
- Vacuum or wipe with a soft cloth to remove dust.
- Hardware may loosen over time. Periodically check to make sure all connection are tight, Re-tighten if necessary.



For items use on wooden floor, hard surfaces or carpets, it is recommended to Install protective pads under all legs and supports to avoid/prevent from damages/scratches and discoloration.