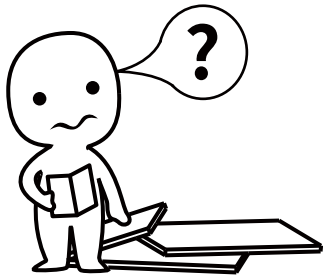


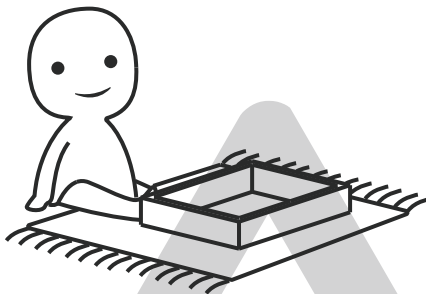
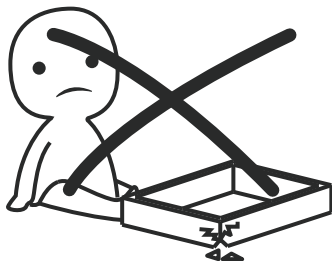
INSTALLATION

Product Manual



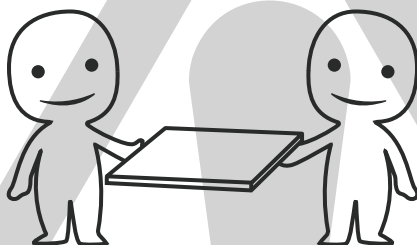
IMPORTANT INFORMATION!

please read the entire manual before starting to assemble and/or using this product. follow the manual thoroughly and keep it for further reference.



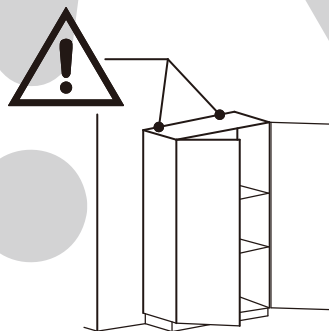
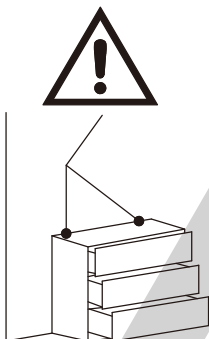
AVOID SCRATCHES!

In order to avoid scratching this furniture should be assembled on a soft layer - could be a rug.



IMPROVE EFFICIENCY !

Try to find a partner to install with you, which can speed up the installation efficiency and shorten the time.



ANTI-TOPPLE WARNING !

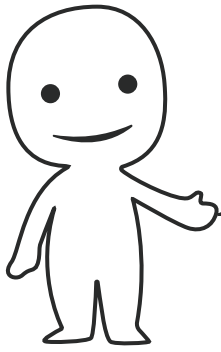
Overtipped furniture can cause serious or fatal crush injuries. To prevent tipping over, be sure to use the wall attachment, if not included with this product. Please purchase the wall attachment that fit your wall. If unsure, seek professional advice. Please read and follow each step of the instructions carefully.

IMPORTANT !

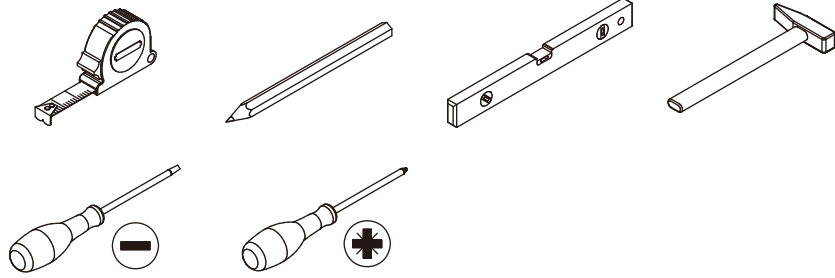
It is important that any product which is assembled using any kind of screw is re-tightened 2 weeks after assembly, and once every 3 months - in order to assure stability through-out the lifespan of the product.

For regular maintenance and cleaning of the product, for the frame, please use a rag dipped in neutral detergent to fully wipe it, and then dry it with a clean rag. For glass materials, wipe with a rag dampened with water glass cleaner, and then dry with a dry rag.

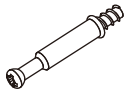
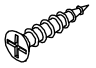

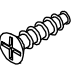
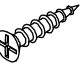



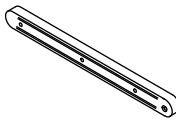
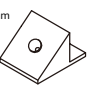
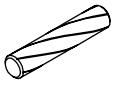

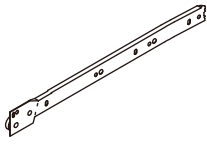
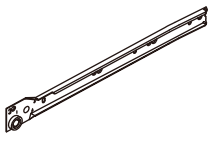
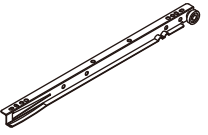
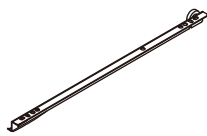
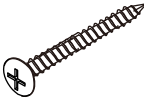
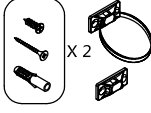
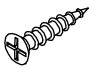
Do not use an electric screwdriver, and do not use too much force when installing, because the board is easy to break.

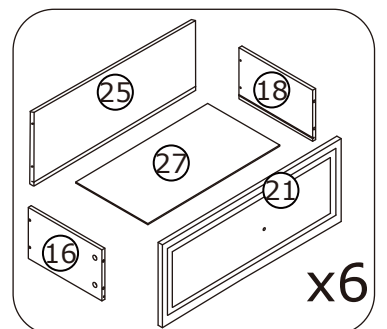
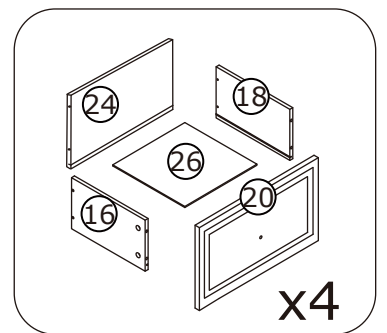
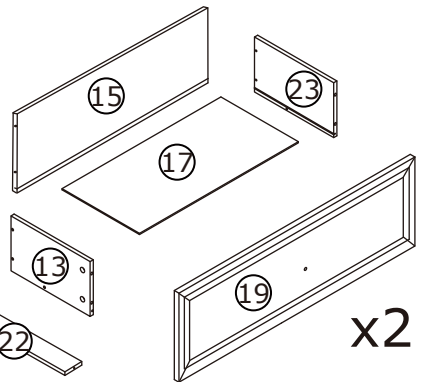
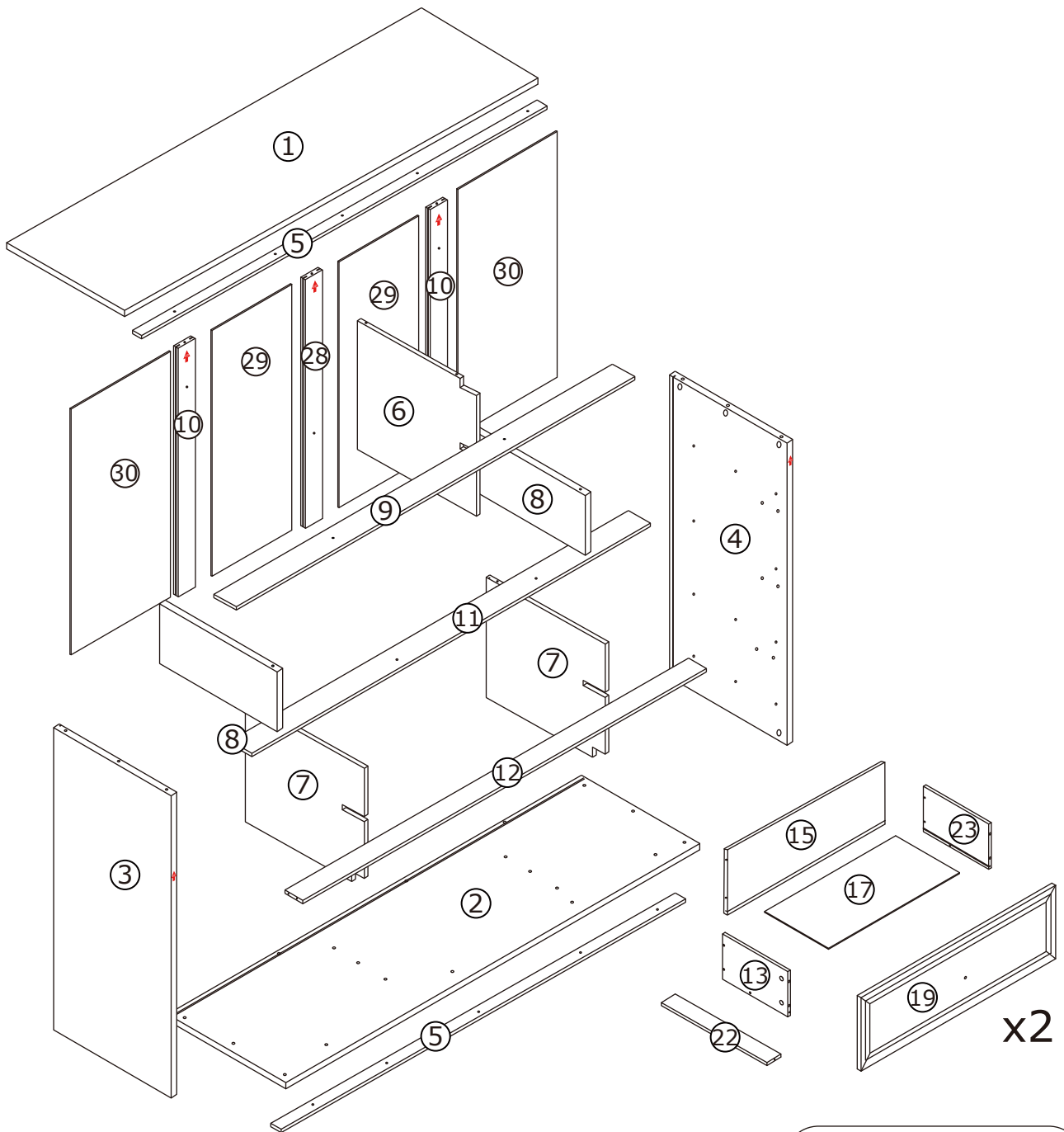


Please prepare the following tools



When installing, please carefully confirm whether each screw corresponds to the manual, accessories with similar shapes can be distinguished by size

A x 74	B x 20	C x 74	E x 60	F x 50
 $\varnothing 6 \times 35 \text{ mm}$	 $\varnothing 4 \times 10 \text{ mm}$	 $\varnothing 15 \times 12 \text{ mm}$	 $\varnothing 4 \times 18 \text{ mm}$	 $\varnothing 3.5 \times 25 \text{ mm}$
G x 14	H x 14	J x 20	K x 20	L x 8
	 $\varnothing 4 \times 16 \text{ mm}$			 $\varnothing 3 \times 12 \text{ mm}$
P x 6	N x 19	Q x 2	R x 2	S x 2
 $\varnothing 6 \times 25 \text{ mm}$	 $\varnothing 4 \times 30 \text{ mm}$			
T x 2	O x 8	M x 2	D x 16	
	 $\varnothing 4 \times 45 \text{ mm}$	 x 2	 $\varnothing 3 \times 12 \text{ mm}$	



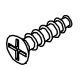
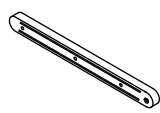
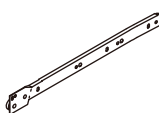
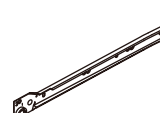
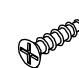
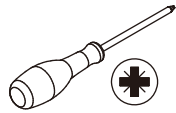
⚠ WARNING

Children have died from furniture tipover. To reduce the risk of furniture tipover:

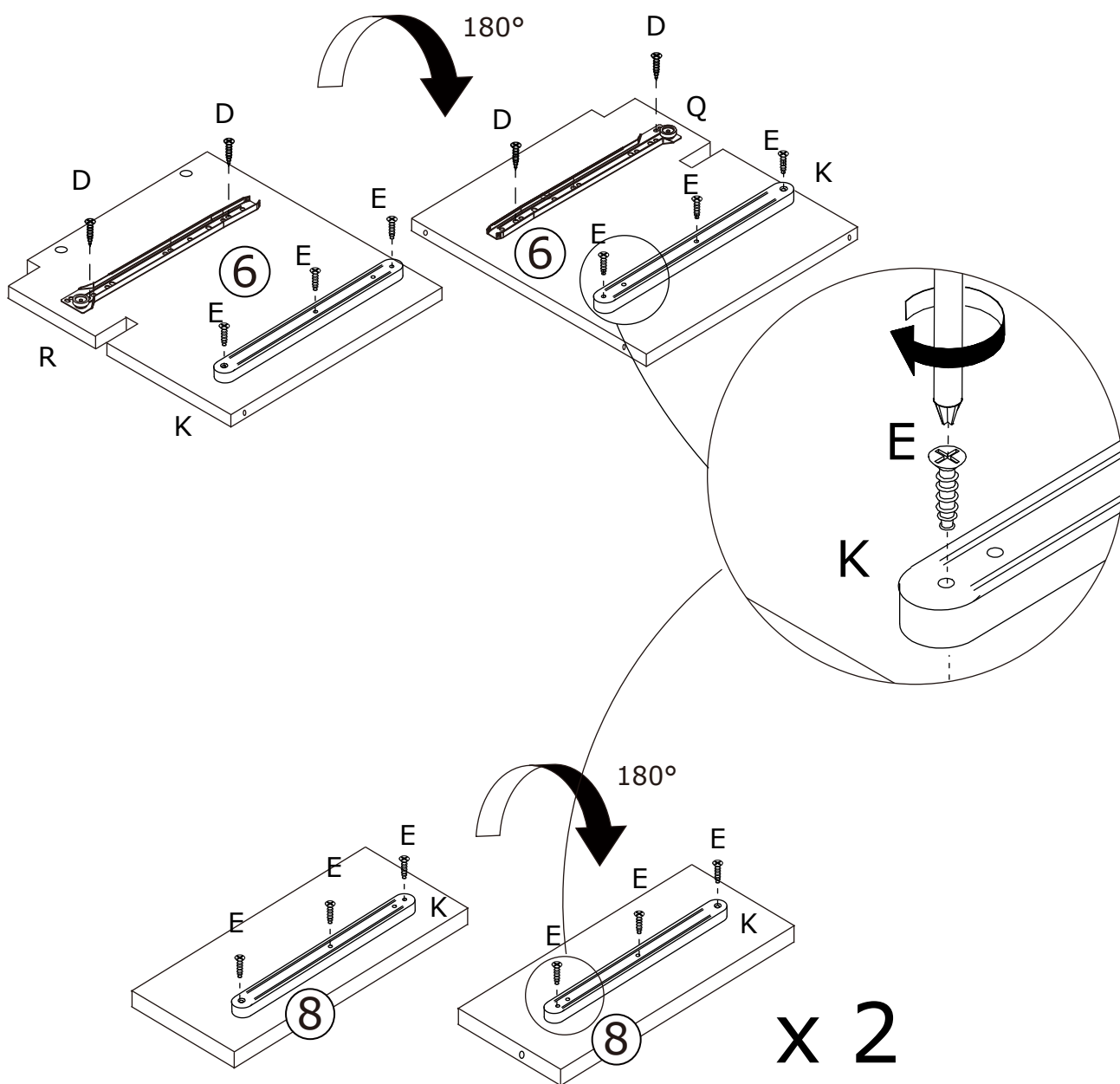
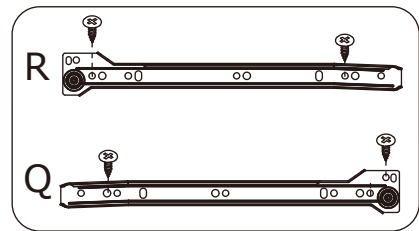
- ALWAYS install tipover restraint provided.
- NEVER put a TV on this product.
- NEVER allow children to stand, climb or hang on drawers, doors, or shelves.
- NEVER open more than one drawer at a time.
- Place heaviest items in the lowest drawers.

This is a permanent label. Do not remove!

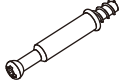
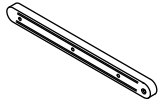
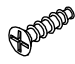
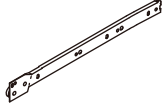
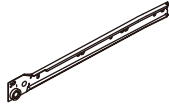
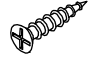
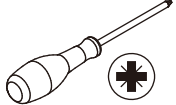
1

E x 18  Ø 4 x 20 mm	K x 6 	Q x 1 	R x 1 	D x 4  Ø 3 x 12 mm	
--	--	--	---	---	---

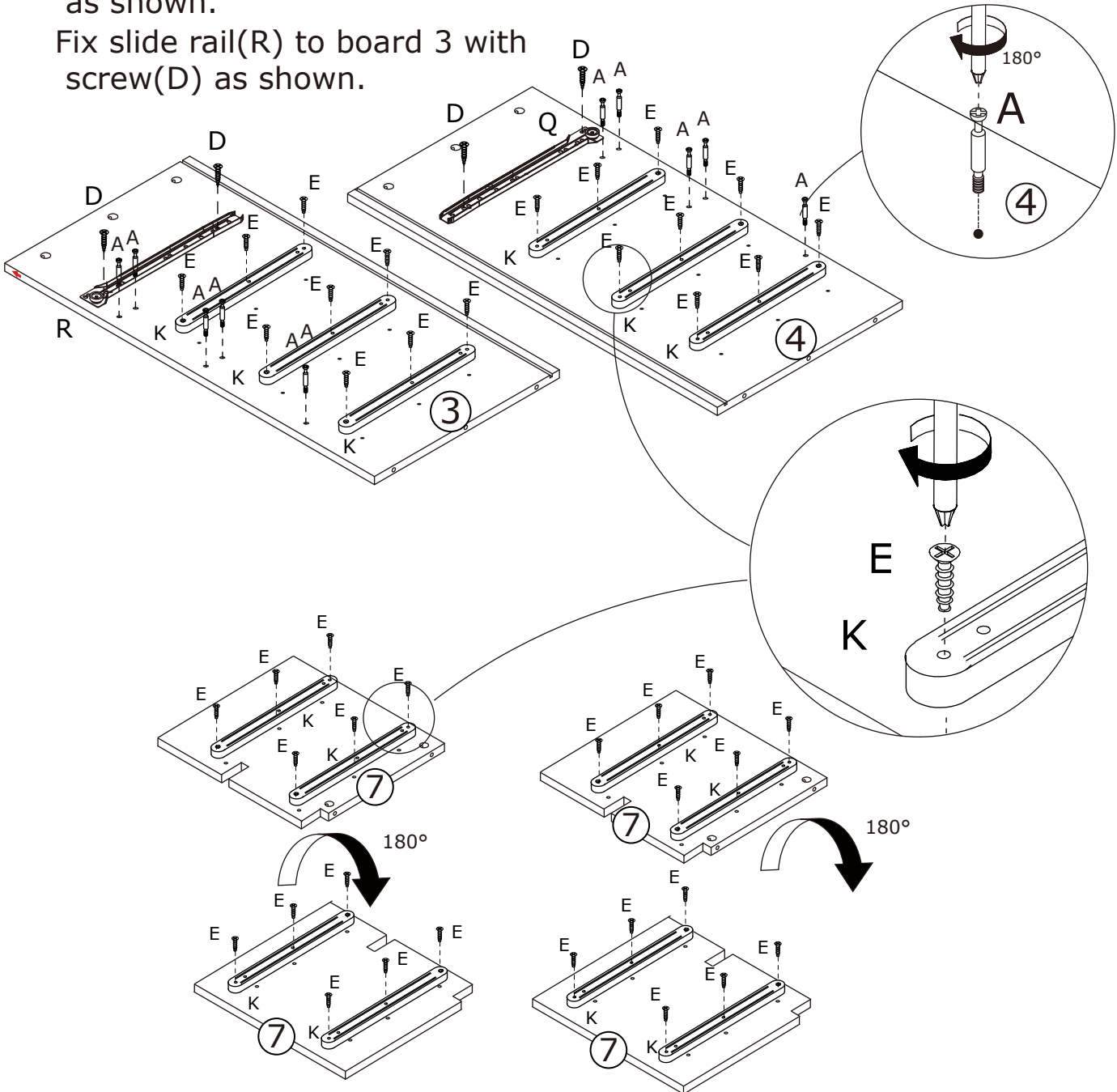
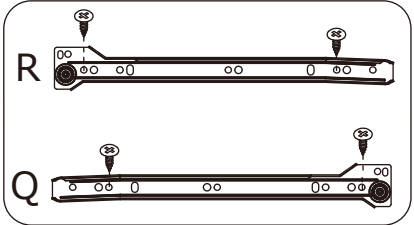
Fix rail(K) to board 8 and 6 with screw(E),
flip the board to back, fix rail(K) as well.
Fix slide rail(R) and rail(Q) to board 6
with screw(D) as shown.



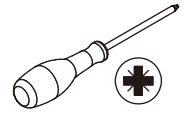
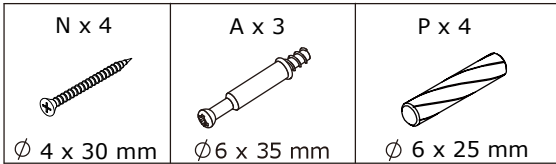
2

A x 10  Ø 6 x 35 mm	K x 14 	E x 42  Ø 4 x 20 mm	Q x 1 	R x 1 	
D x 4  Ø 3 x 12 mm					

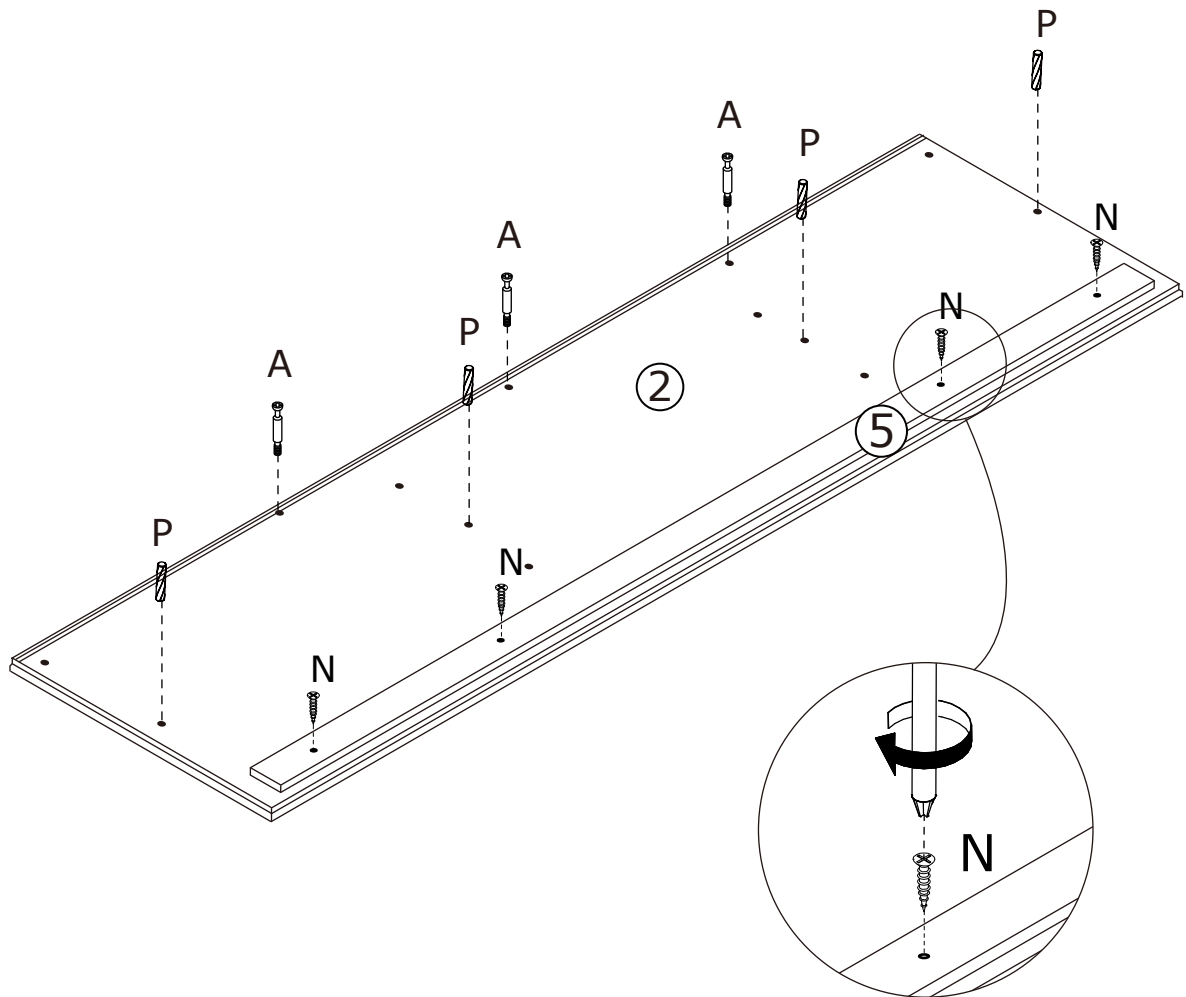
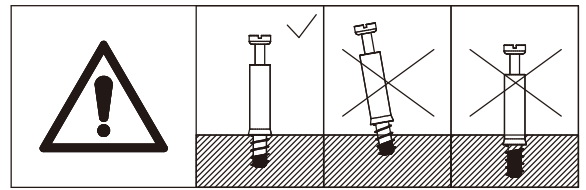
Fix rail(K) to board 3 and 4 with screw(E), and screw eccentric rod(A) into with a screwdriver as shown.
Fix rail(K) to board 7 with screw(E), flip the board to back, fix rail(K) as well.
Fix slide rail(Q) to board 4 with screw(D) as shown.
Fix slide rail(R) to board 3 with screw(D) as shown.



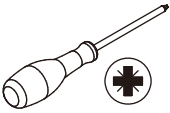
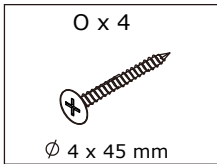
3



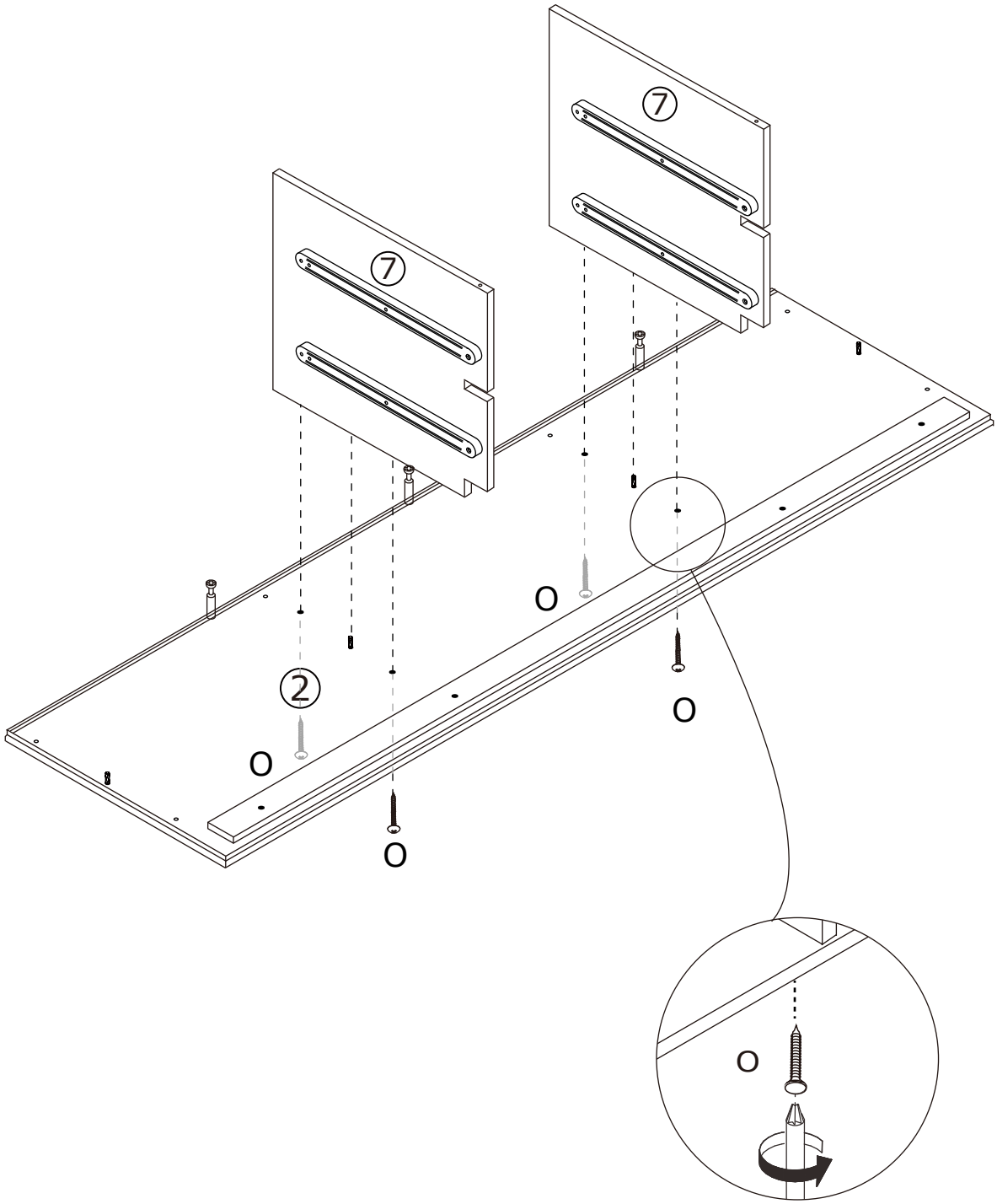
Screw eccentric rod(A) into board 2 with a screwdriver as shown.
Fix board 5 to board 2 with screw(N) as shown.
Insert wooden dowel(P) into board 2 as shown.



4

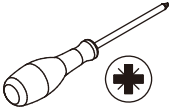


Fix board 7 to board 2 with screw(O) as shown.

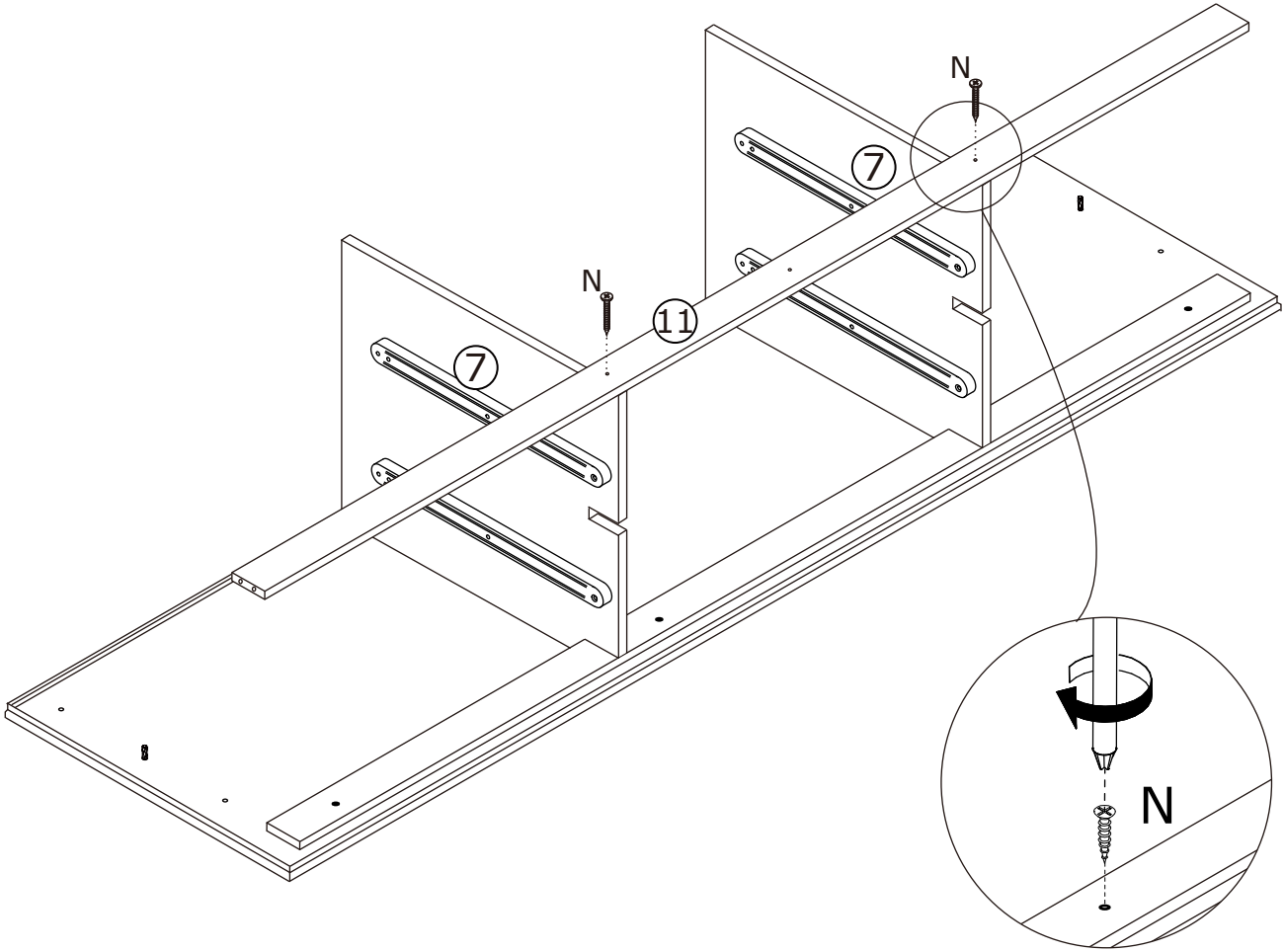


5

N x 2
Ø 4 x 30 mm

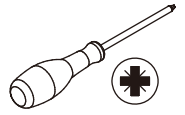


Fix board 11 to board 7 with screw(N) as shown.

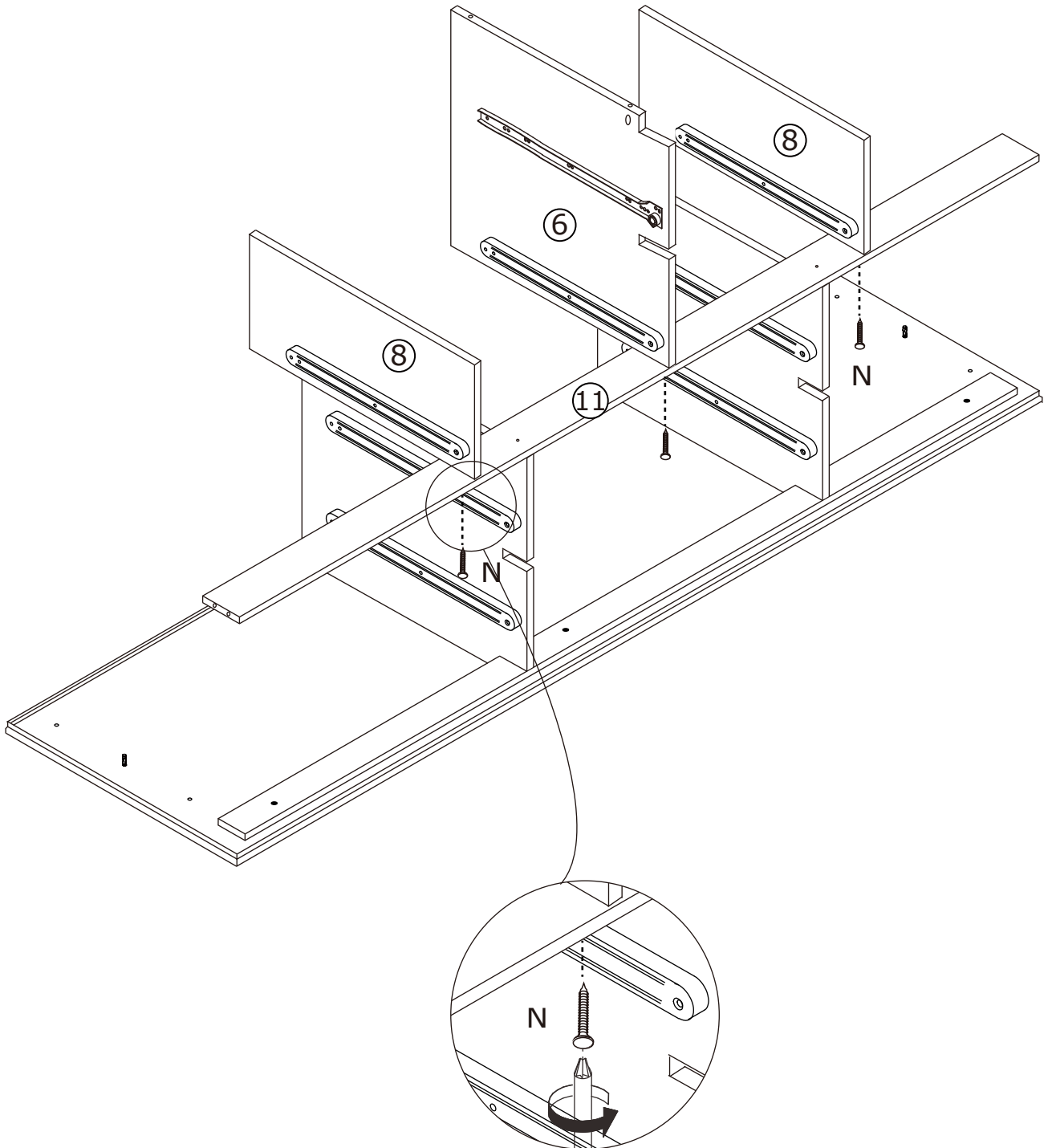


6

N x 3
Ø 4 x 30 mm



Fix board 8 and 6 to board 11 with screw(N) as shown.

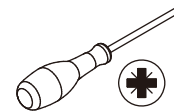


7

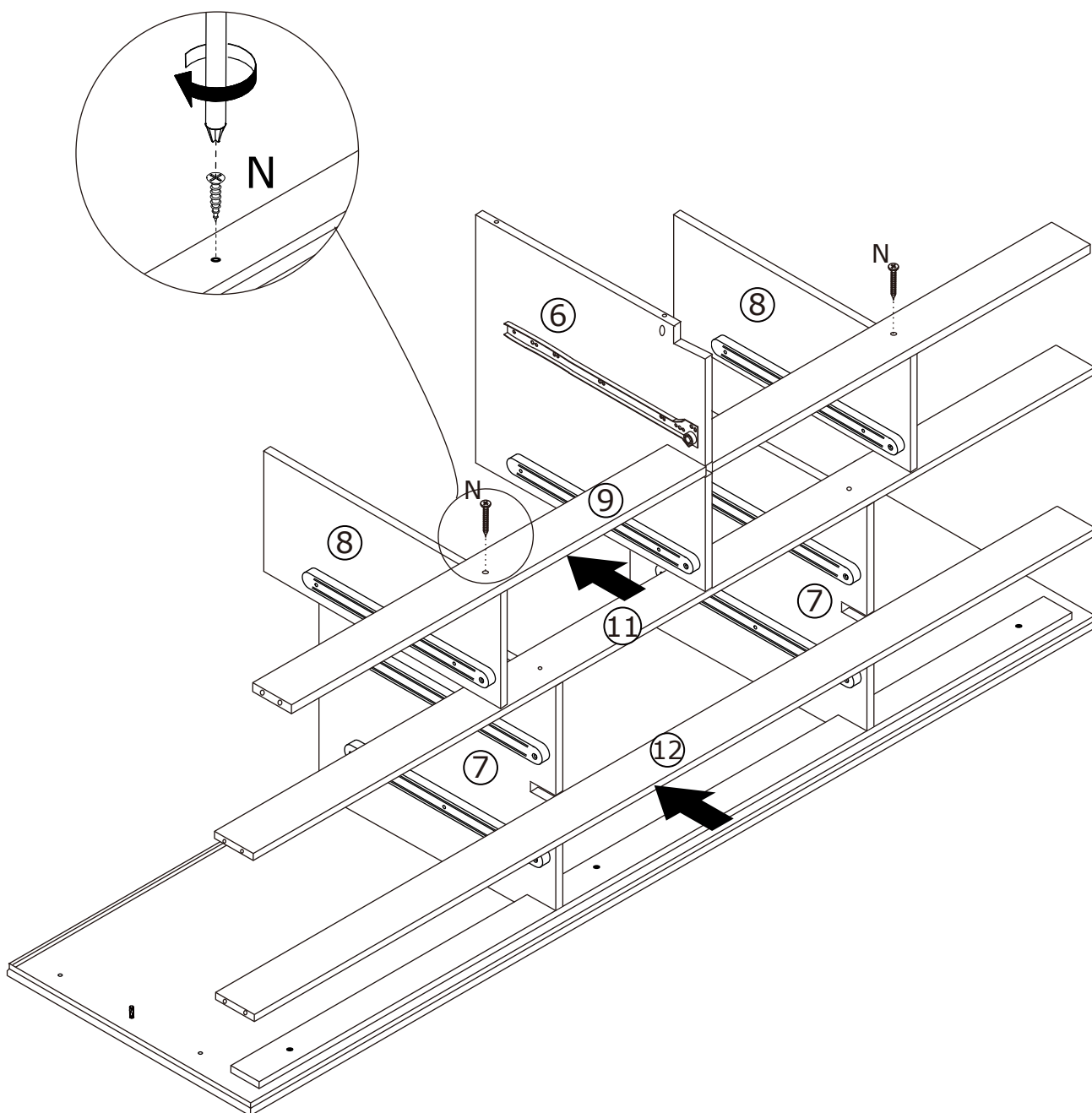
N x 2



Ø 4 x 30 mm



First insert board 9 and 12 along available grooves as shown.
Second fix board 9 to board 8 with screw(N) as shown.

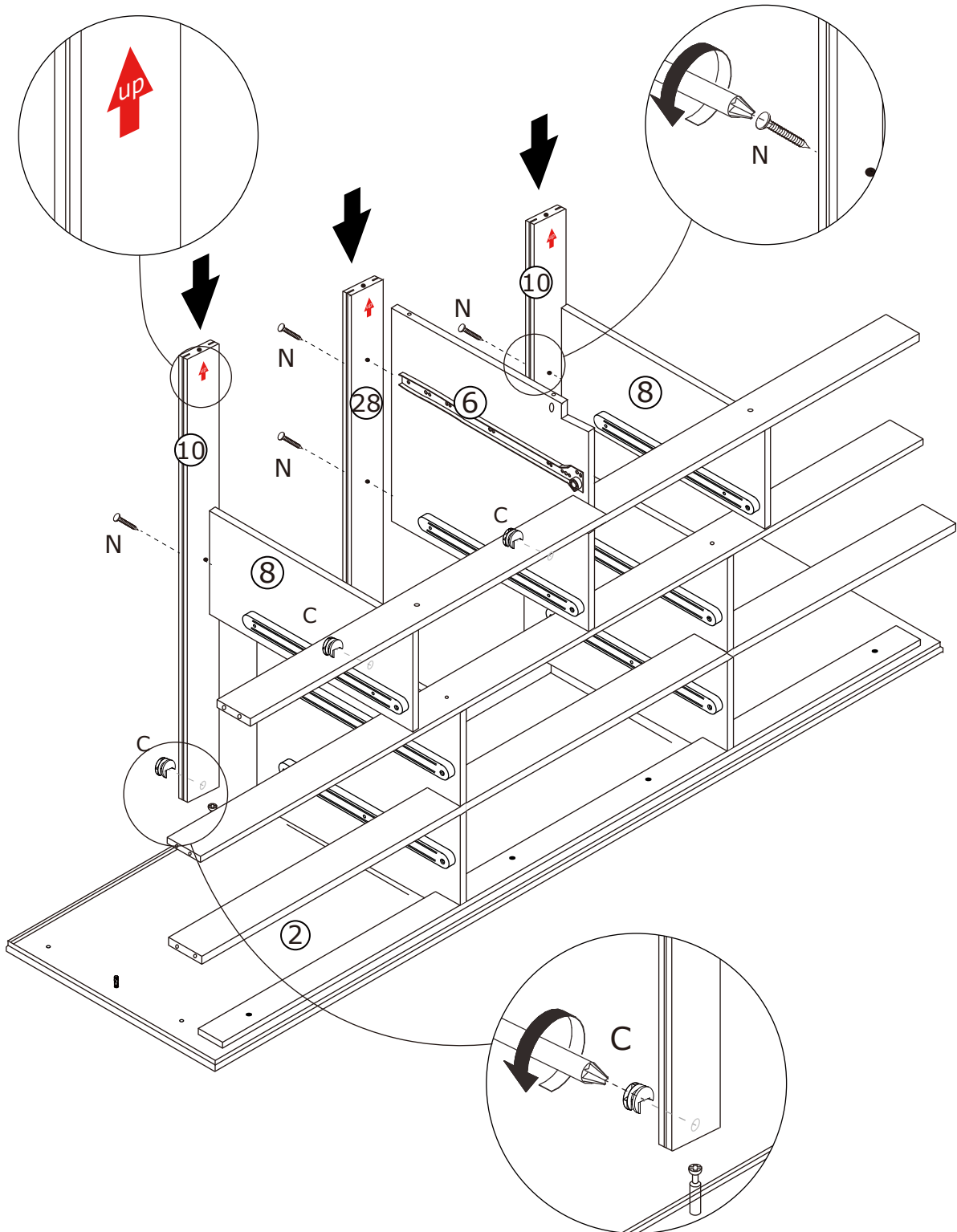
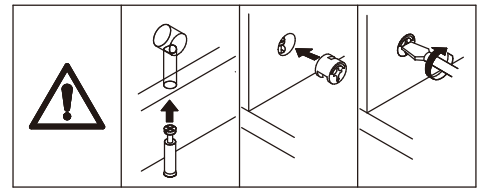


8

N x 4  Ø 4 x 30 mm	C x 3  Ø 15 x 12 mm	
---	--	---

Attach plate 10 and 28 to plate 2 insert cam lock(C) into holes in plate 10 and 28 and turn clockwise to tighten as shown.

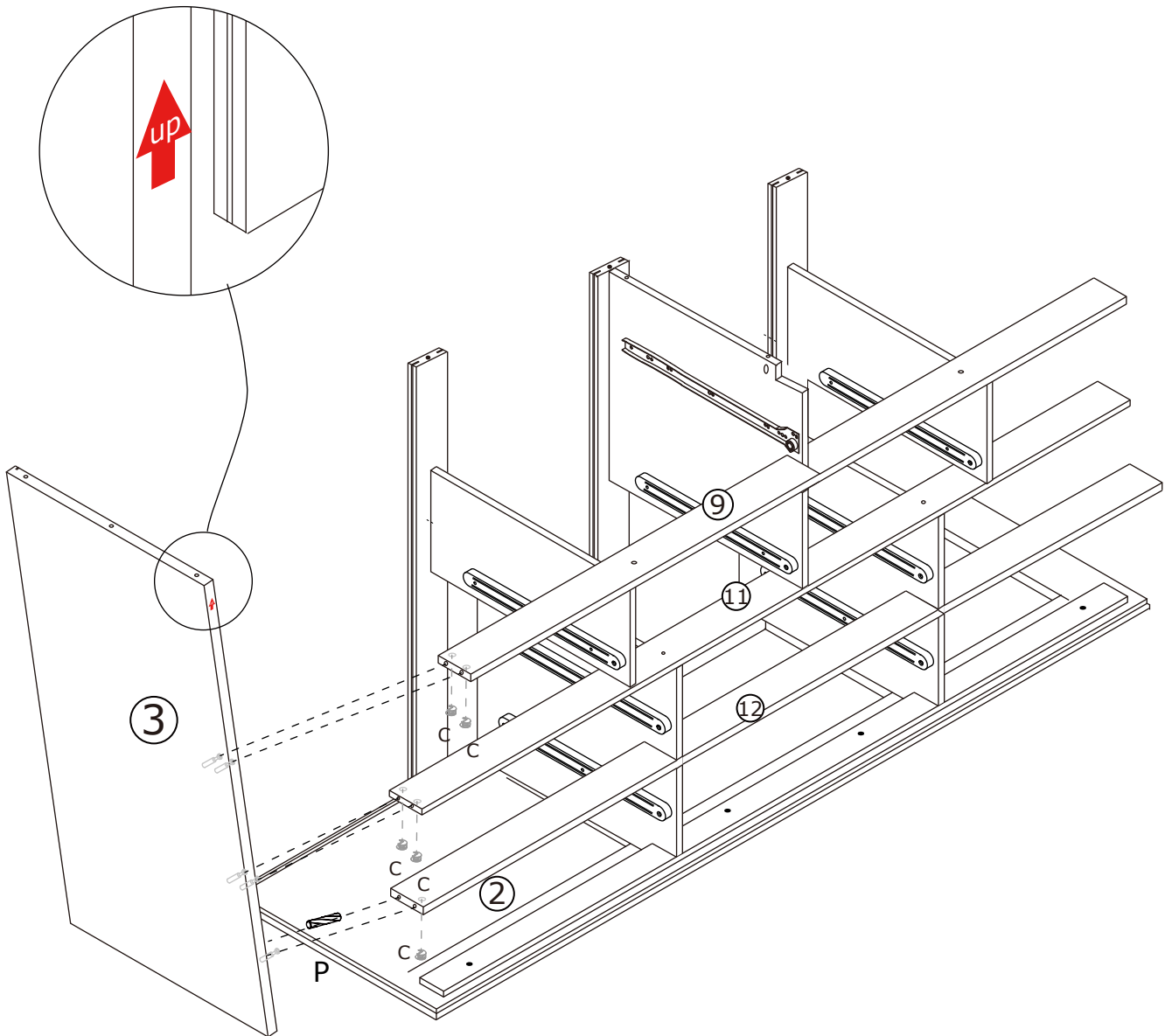
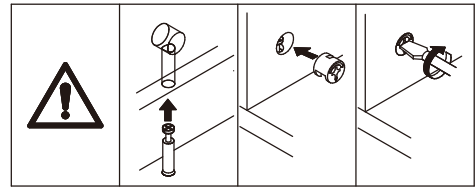
Fix board 10 to board 8 ,board 28 to board 6 with screw(N) as shown.



9



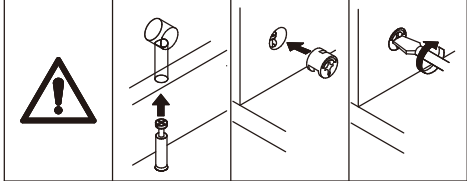
Attach board 3 to board 9,11,12 add cam lock(C) into and turn clockwise to tighten as shown.



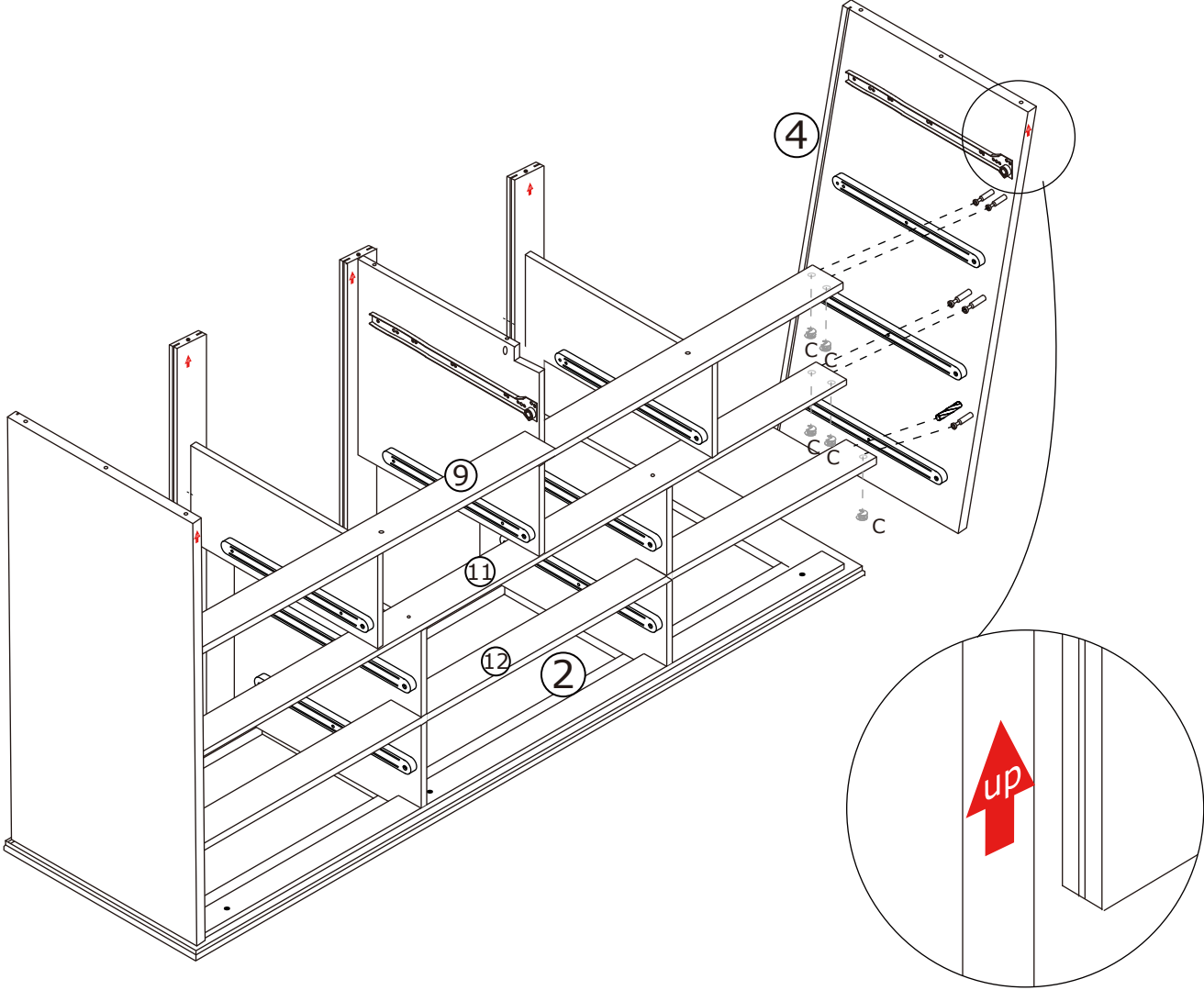
Insert wooden dowel(P) into board 12 and 3 as shown.

10

C x 5  Ø 15 x 12 mm	P x 1  Ø 6 x 25 mm	
--	---	---

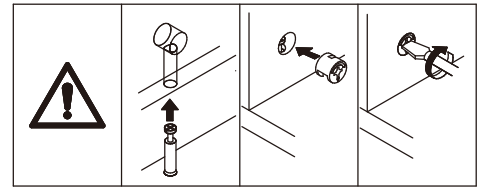
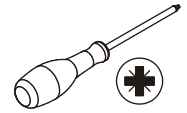
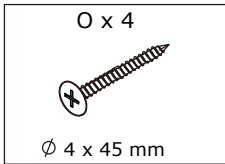


Attach board 4 to board 9,11,12, add cam lock(C) into and turn clockwise to tighten as shown.

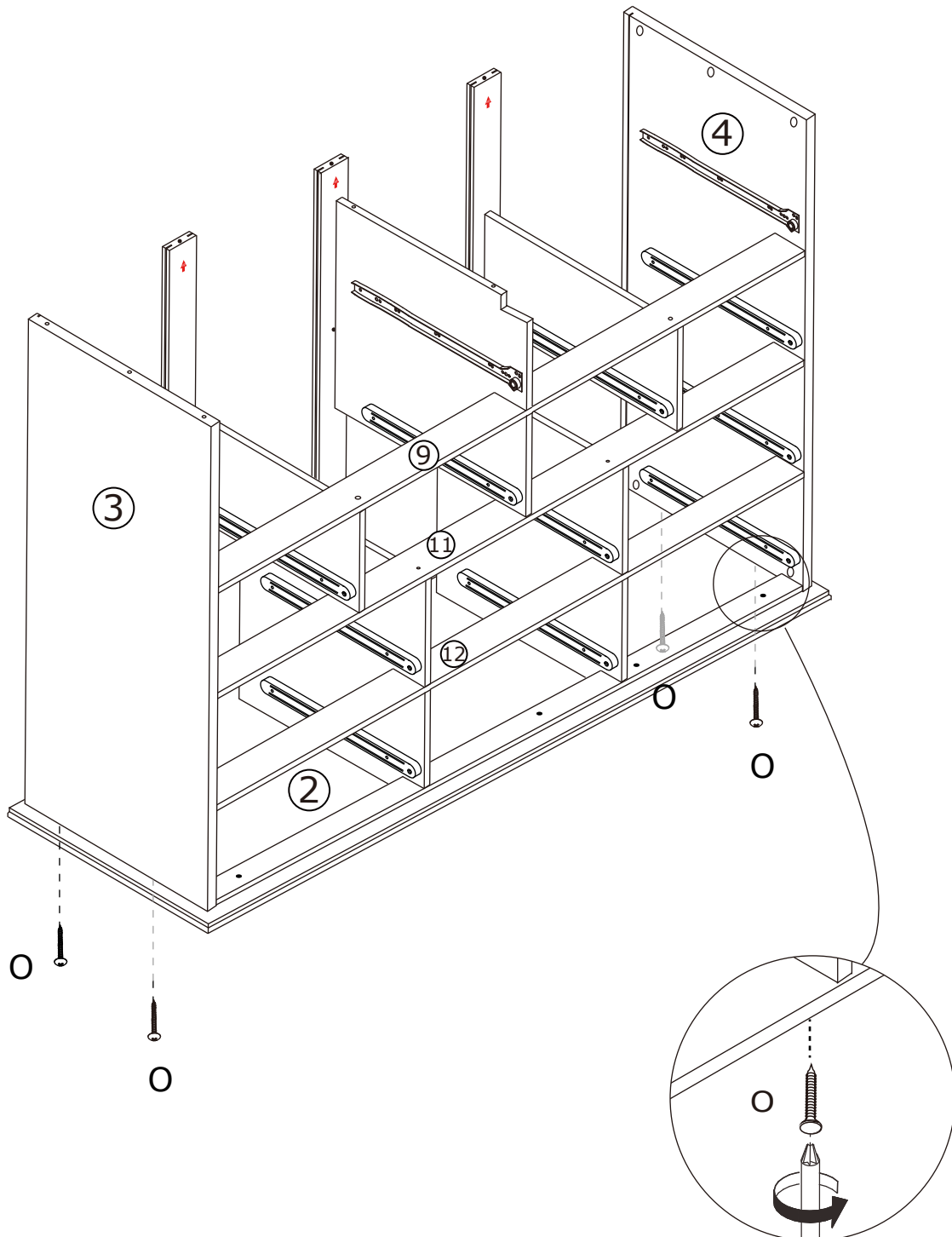


Insert wooden dowel(P) into board 12 and 4 as shown.

11

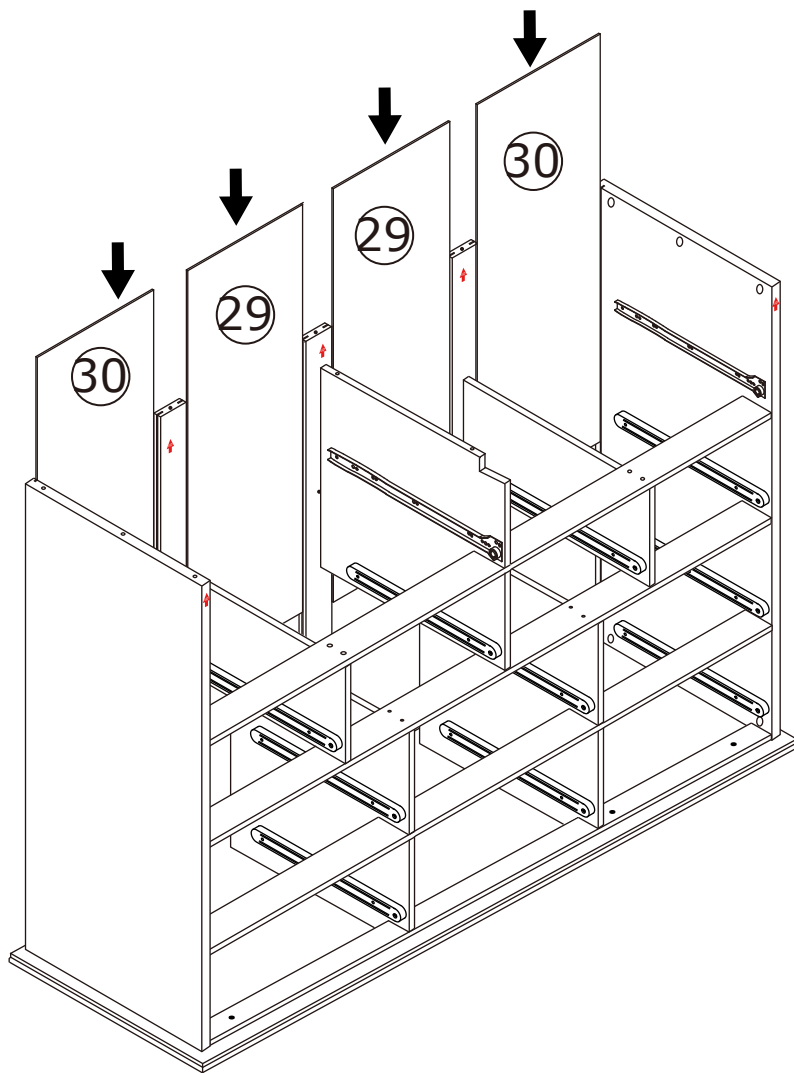


Fix board 3 and 4 to board 2 with screw(O) as shown.





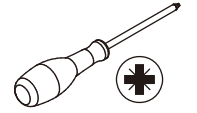
12

Insert back board 29 and 30 along available grooves as shown.

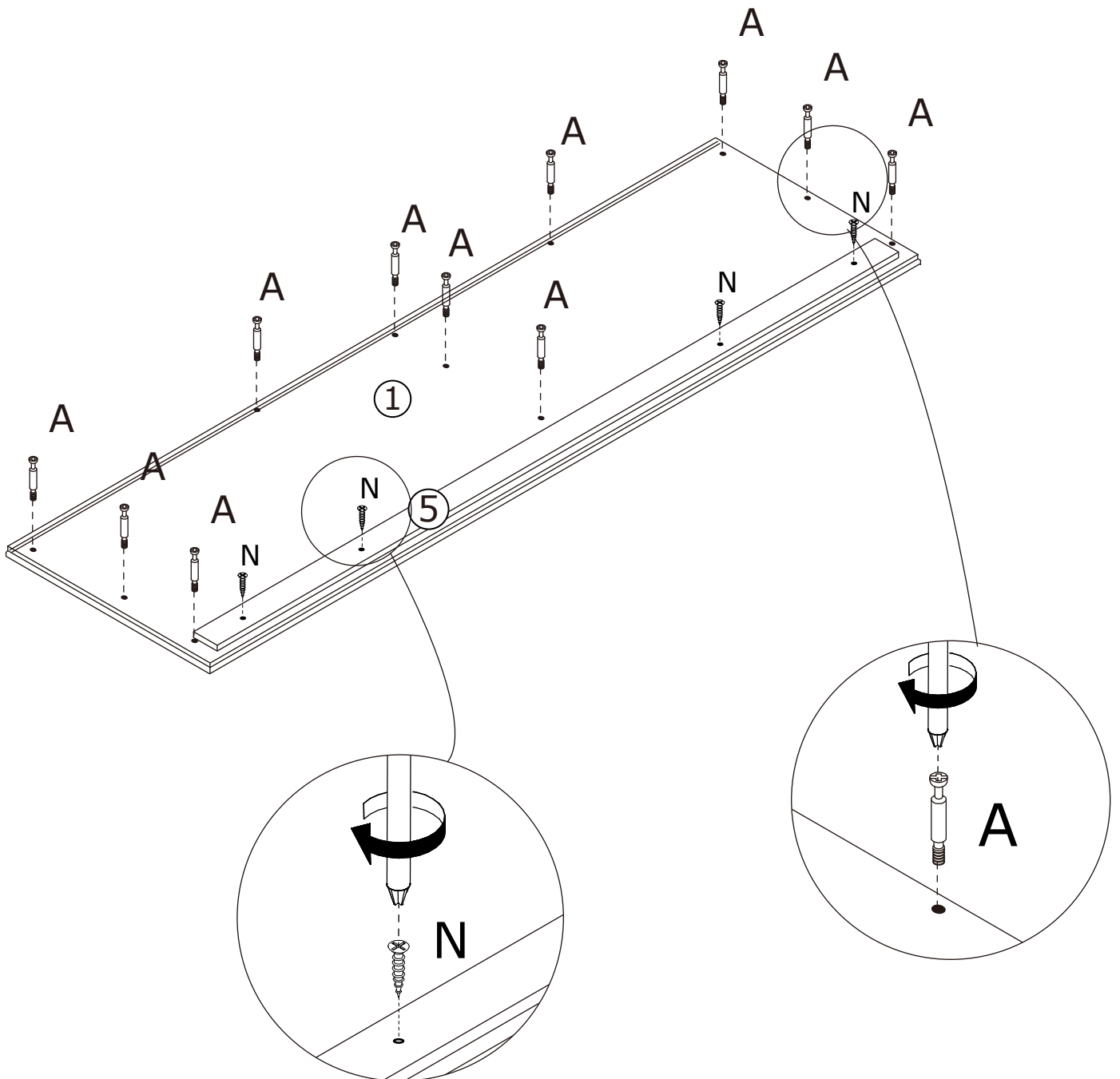
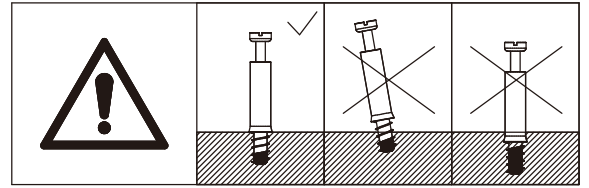


13

A x 11  Ø 6 x 35 mm	N x 4  Ø 4 x 30 mm
--	---



Screw eccentric rod(A) into board 1 as shown.
Fix board 5 to board 1 with screw(N) as shown.

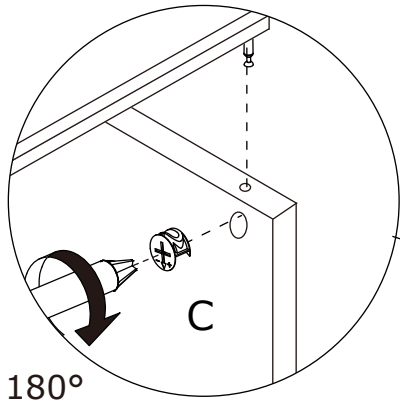
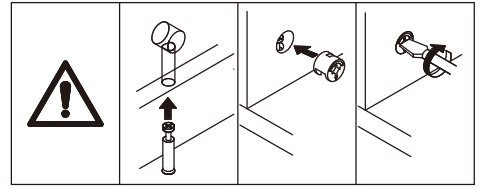
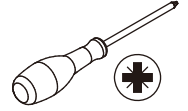


14

C x 11

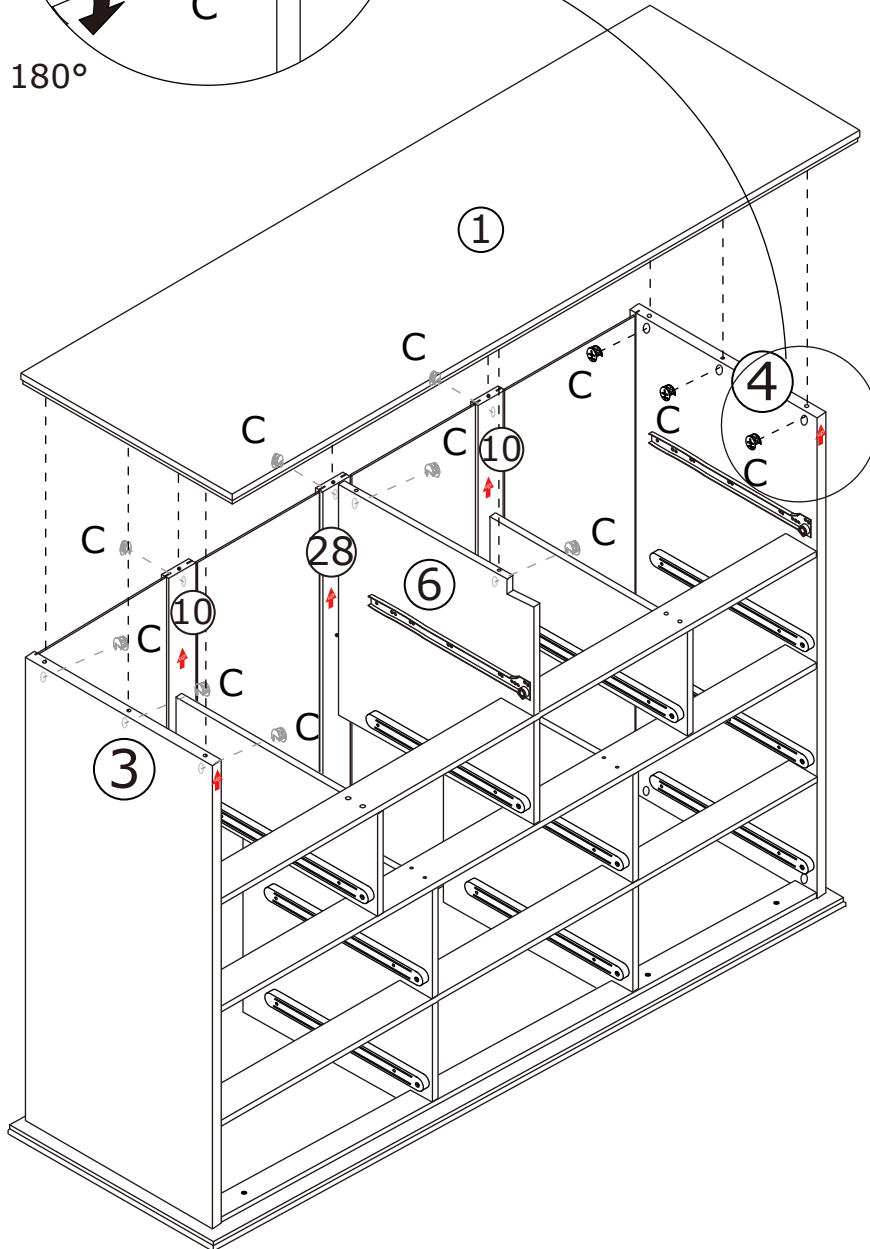


Ø15 x 12 mm

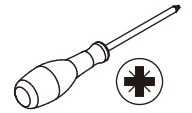
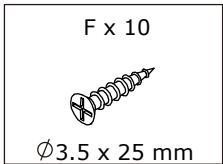


180°

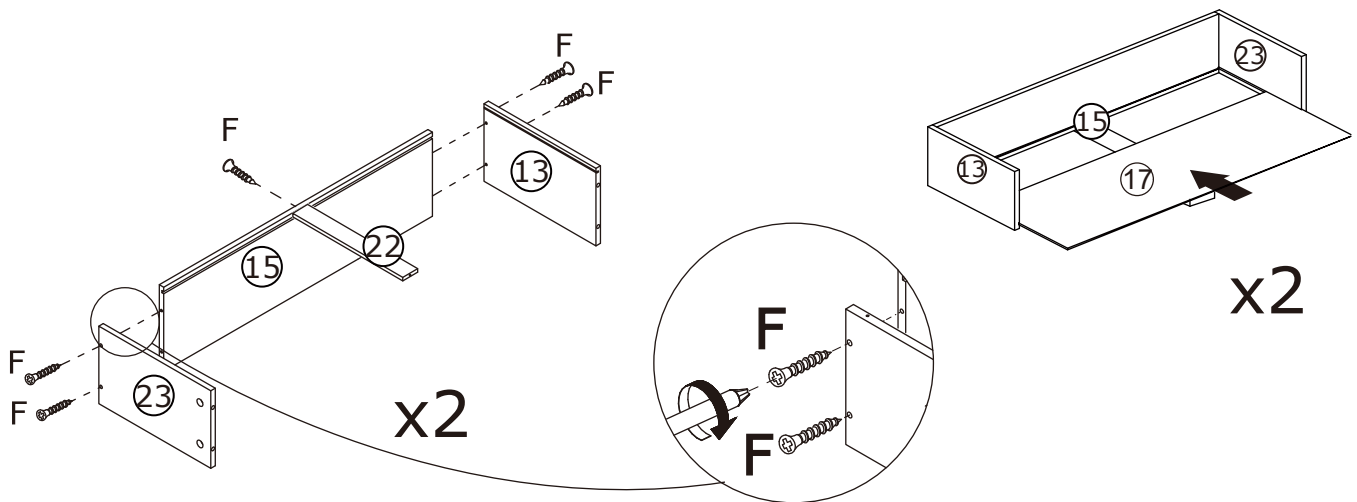
Cover board 1 to the top, add cam lock(C) into board 3,10,28 ,6,4 and turn clockwise to tighten as shown.



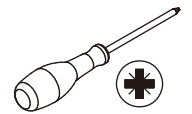
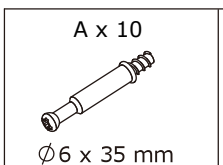
15



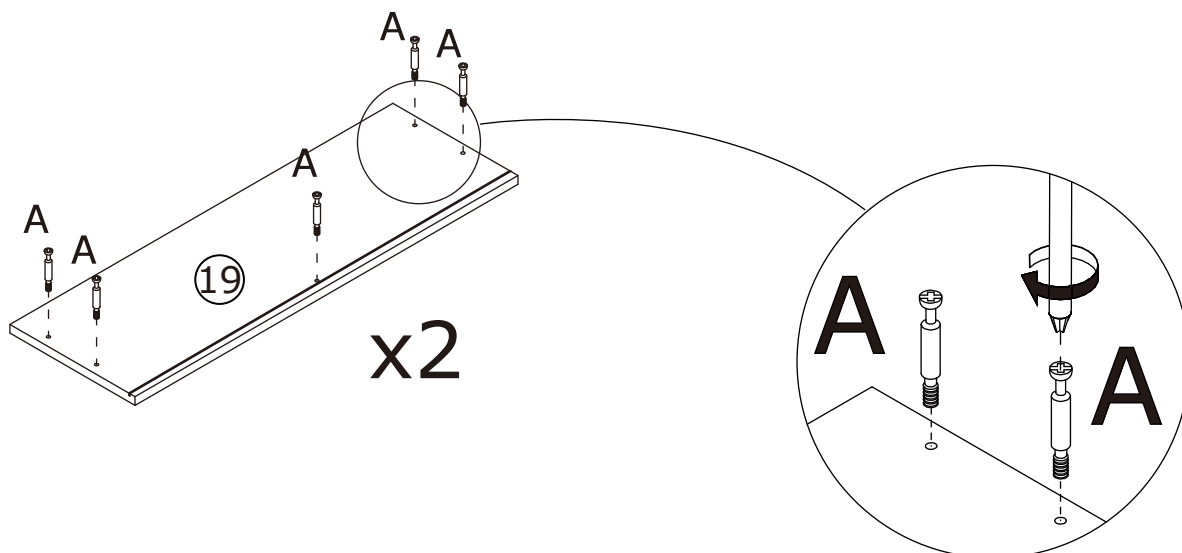
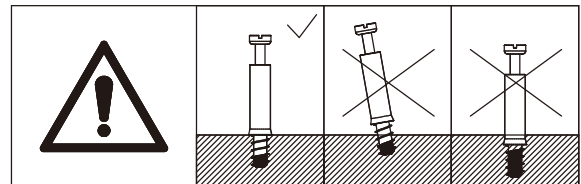
Fix board 15 to board 13, 22,23 with screw(F) as shown.
Insert bottom board 17 along grooves.
Fix part(J) to board 15 with screw(B) as shown.






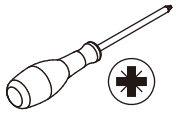
16



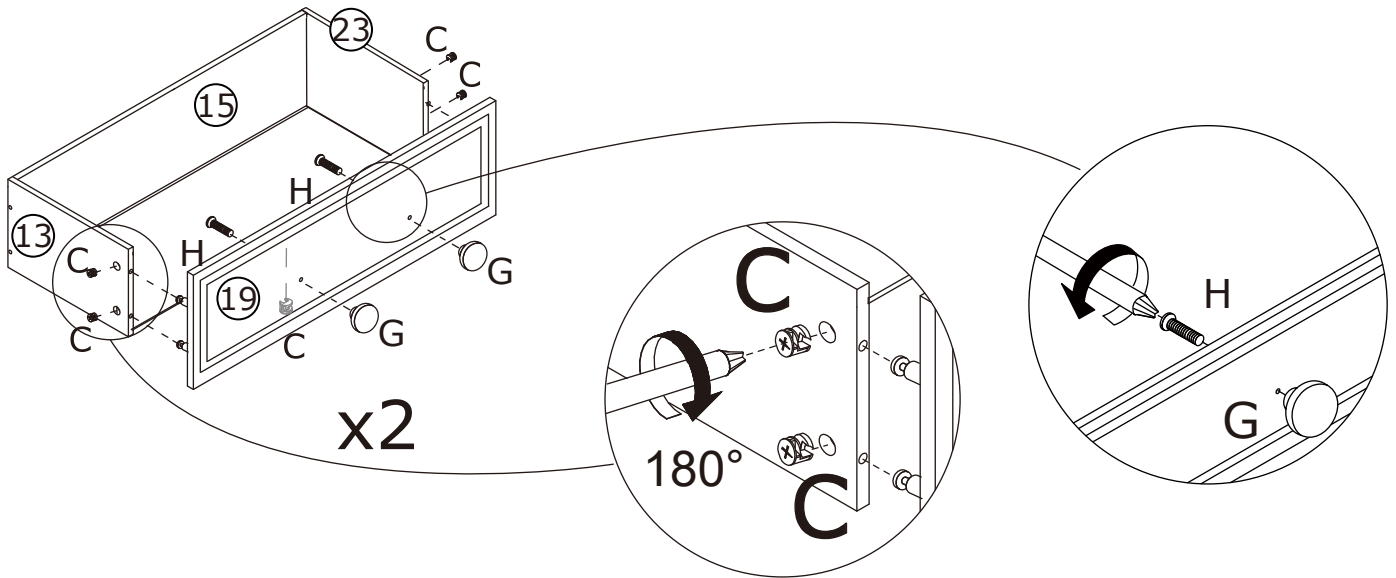
Screw eccentric rod(A)
into board 19 at first.



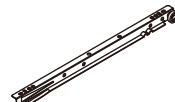

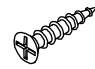
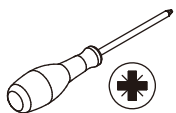
17

C x 10  Ø15 x 12 mm	G x 4 	H x 4  Ø4 x 16 mm	
--	--	--	---

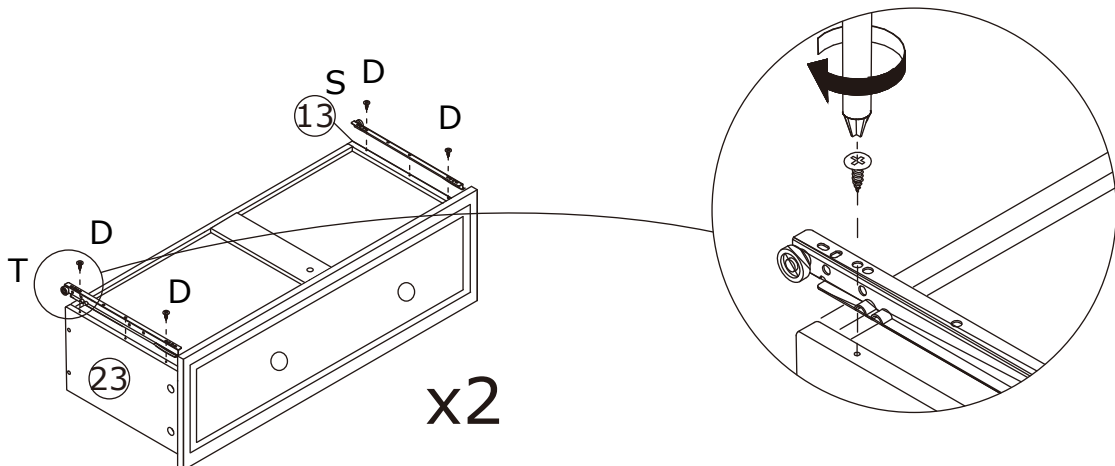
Attach board 13 and 23 to board 19, add cam lock(C) into and turn clockwise to tighten as shown.
Fix knob(G) to board 19 with screw(H) as shown.



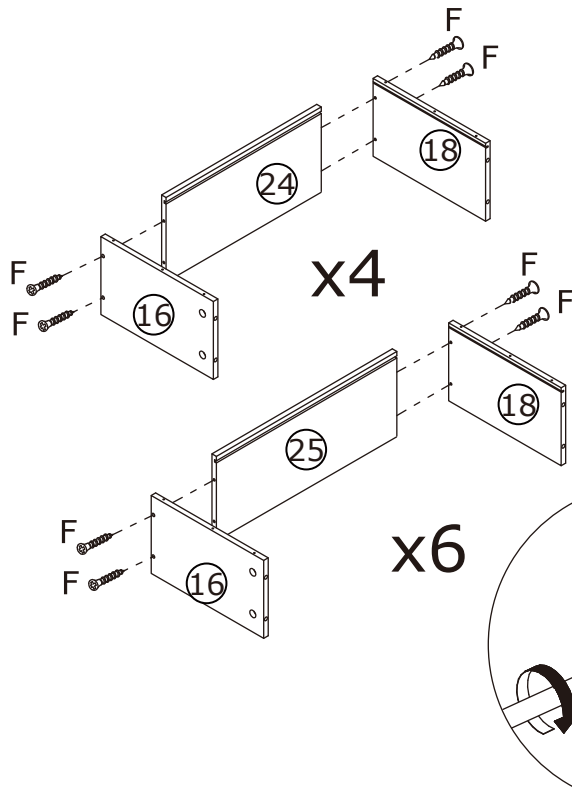
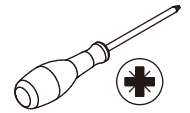
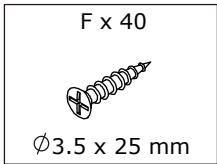
18

S x 2 	T x 2 	D x 8  Ø3 x 12 mm	
--	--	--	---

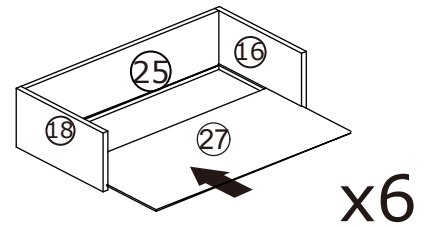
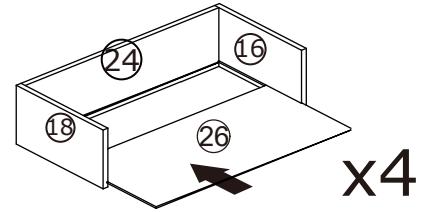
Fix runner(S) and (T) to board 13 and 23 with screw(D) as shown.



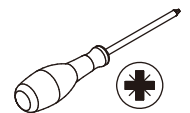
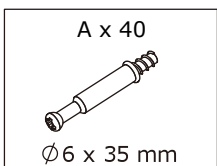
19



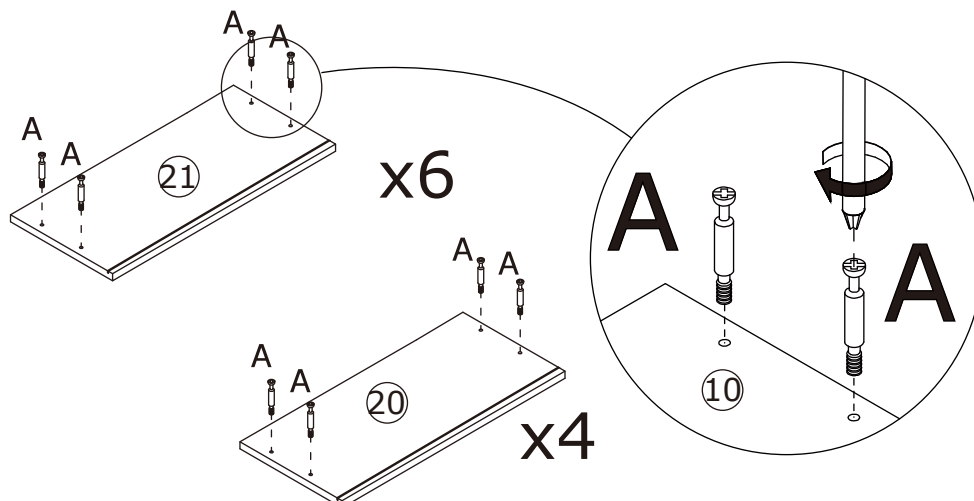
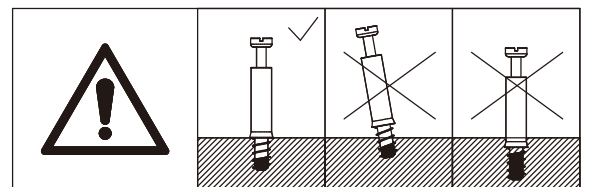
Fix board 24 to board 16 and 18 with screw(F), insert bottom board 26 along grooves shown. Fix board 25 to board 16 and 18 with screw(F), insert bottom board 27 along grooves shown.







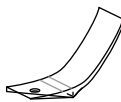
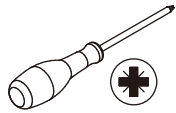
20



Screw eccentric rod(A) into board 20 and 21 at first.



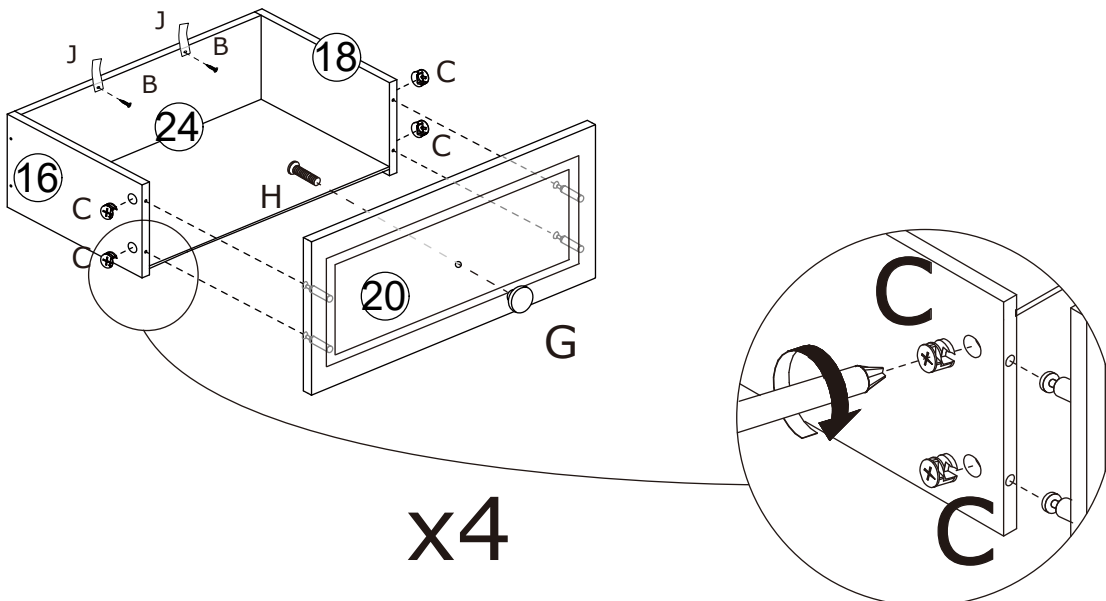
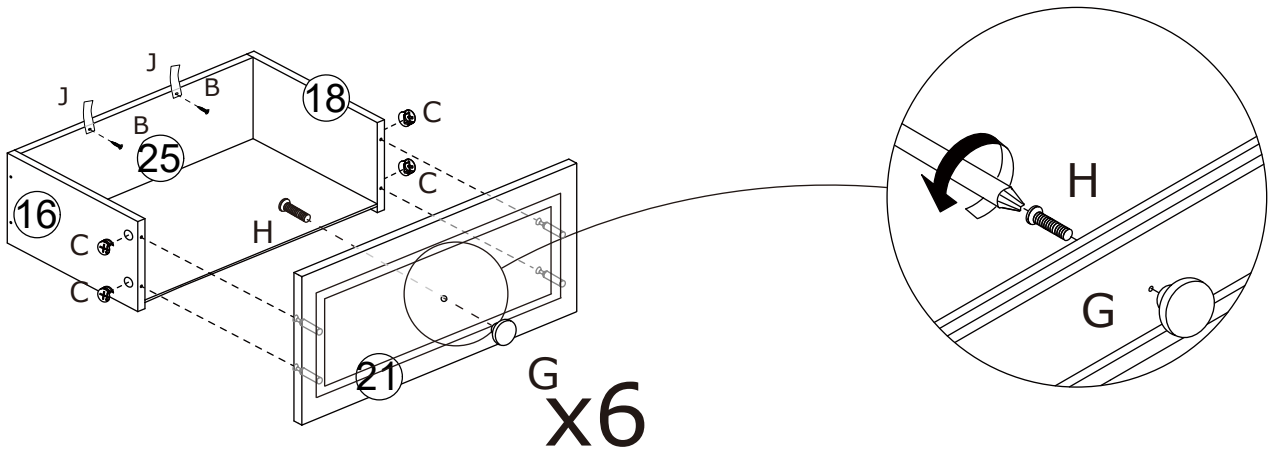
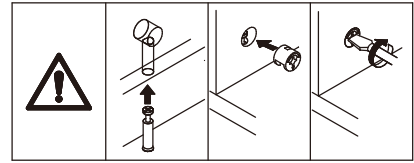
21

C x 40  15 x 12 mm	G x 10 	H x 10  Ø 4 x 16 mm	B x 20  Ø 4 x 10 mm	J x 20 	
---	---	--	--	---	---

Attach board 16 and 18 to board 20 and 21 respectively, add cam lock(C) into and turn clockwise to tighten as shown.

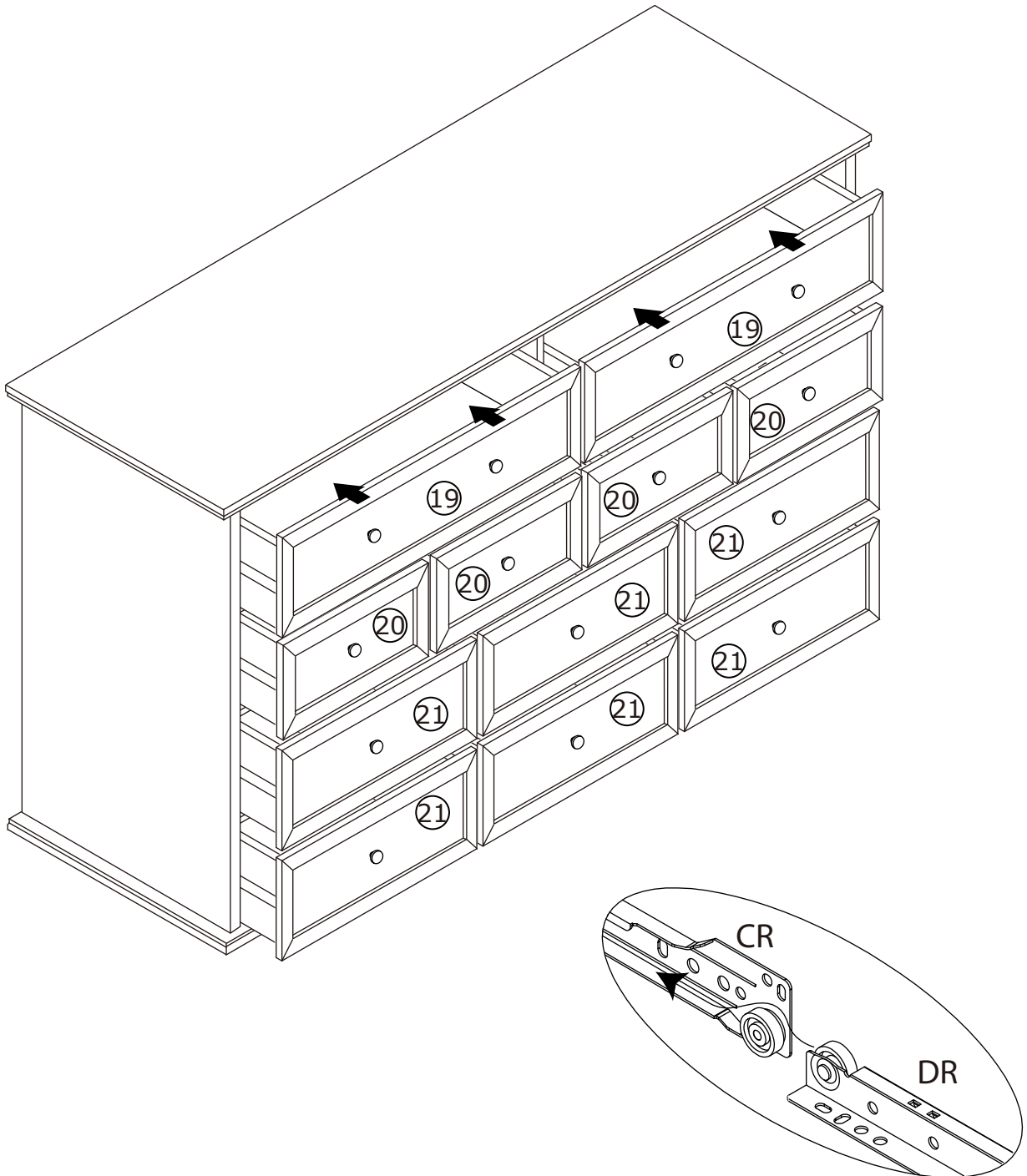
Fix knob(G) to board 20 and 21 with screw(H) as shown.

Fix part(J) to board 25 and 24 with screw(B) as shown.

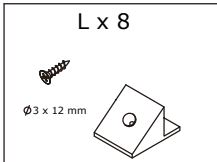


22

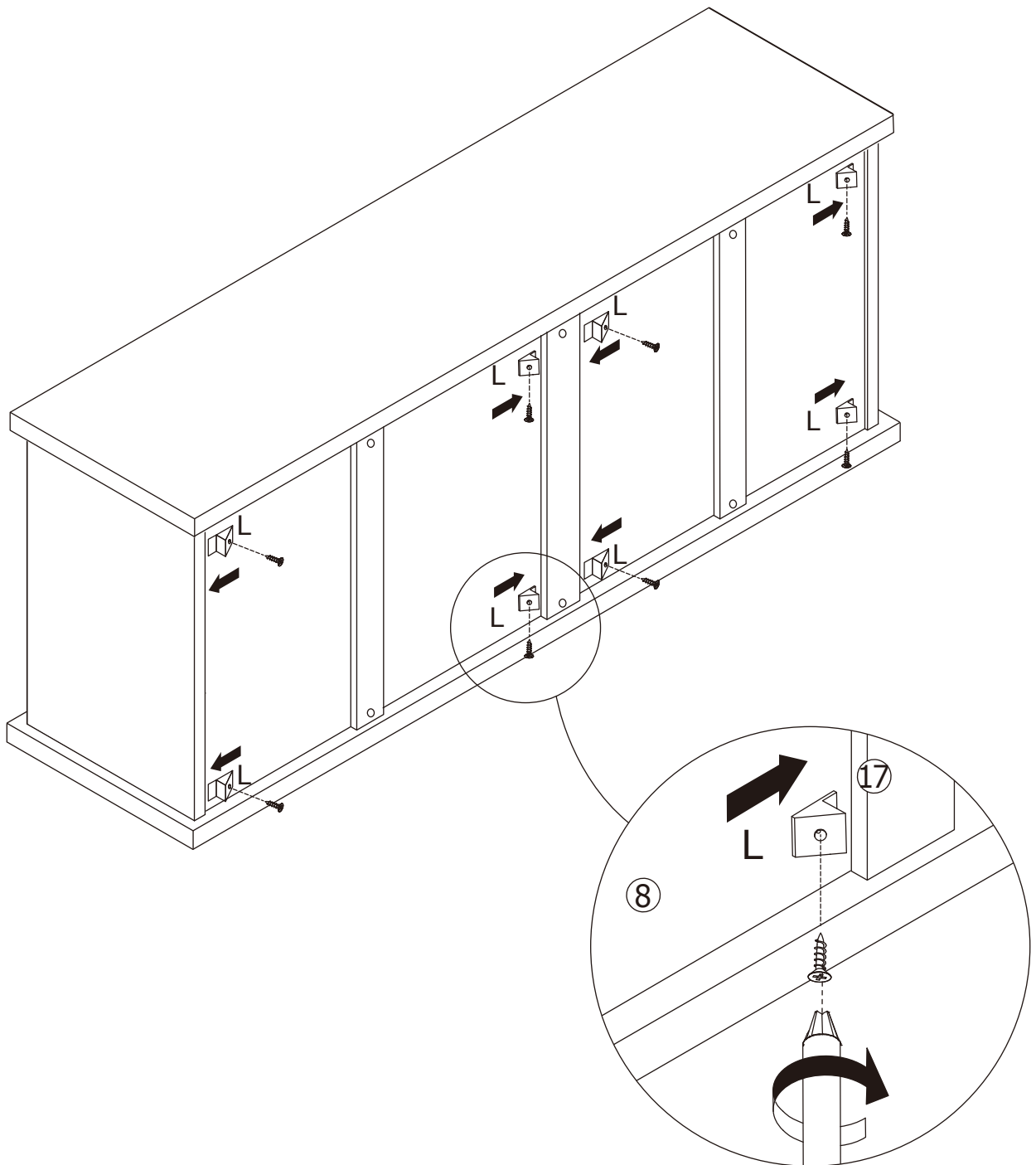
Align rails, slide all drawers in.



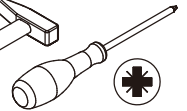
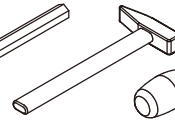
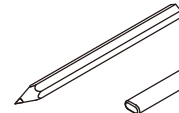
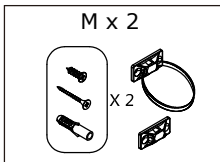
23



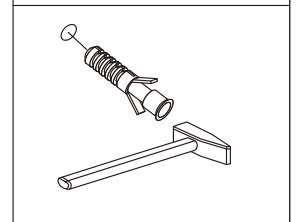
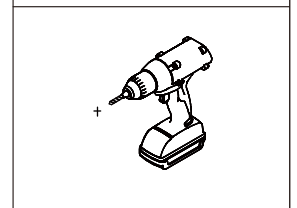
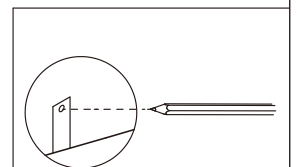
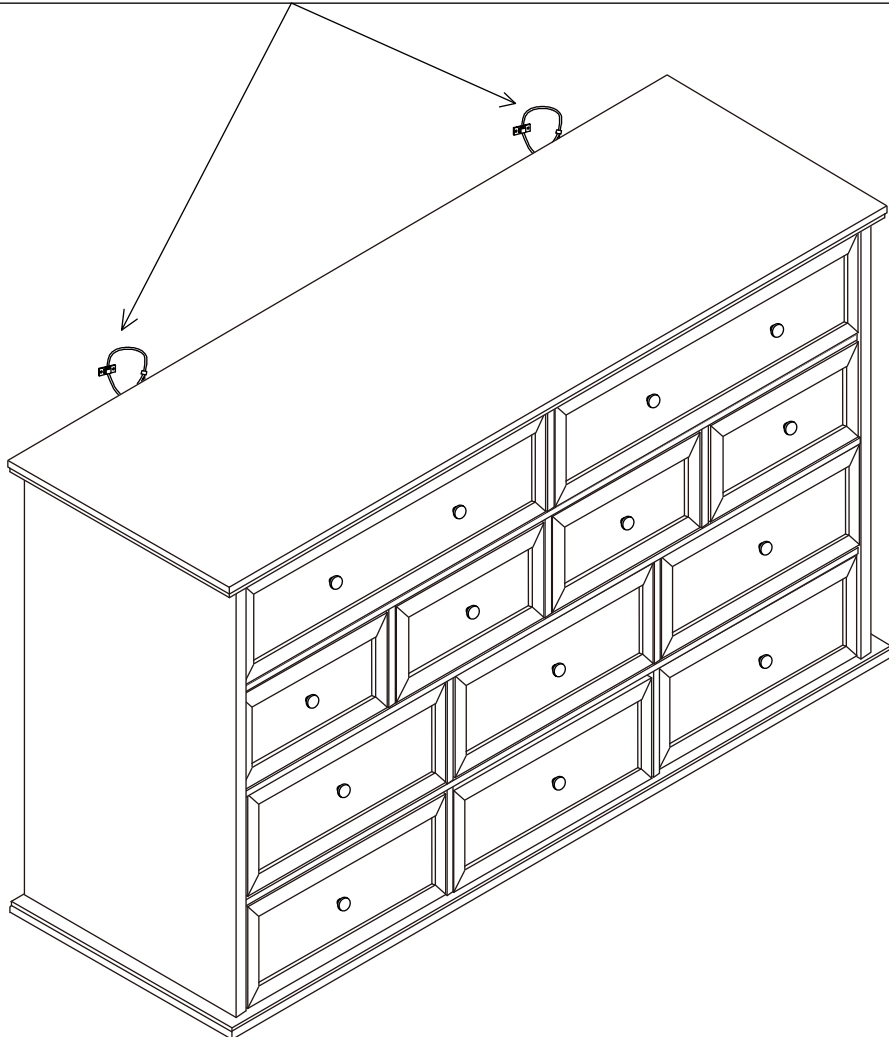
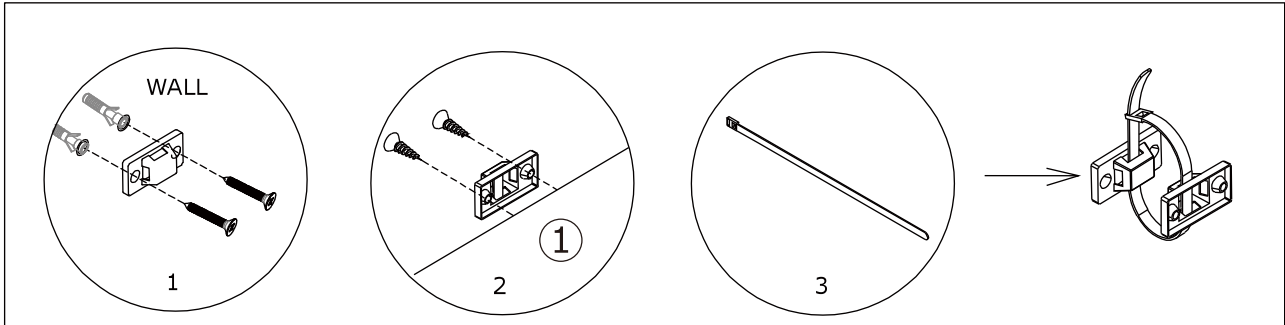
Insert buckle(L) into back slots and fix to tighten as shown.



24



Install anti-tipping device as shown.



WARRANTY

WARRANTY CLAIMS

- There is a 30-day warranty for broken furniture or any other problems that do not work properly. The warranty will start from the date of purchase which must be verified by proof of purchase.
- Before making a claim, we may be able to answer your query, simply call us. Please leave your purchase order number, along with some details of the problem, if you want a replacement part. We will arrange within 48 hours. If there is out of stock, we will reply with a shipping date.
- The product must be used in accordance with the instructions provided. For health reasons.
- For other reasons, if the furniture needs to be returned, it must be cleaned and dried and operated within 30 days of receipt.

Type of Warranty Claim

- Failure to follow the furniture instructions will invalidate the warranty. Attention please.
- Does not include damage during installation, but includes damage during transportation.

Scope of responsibility

- Shall not bear any responsibility for misuse or user damage and / or loss of parts during the installation of furniture.
- After using, the damage and scratches of the furniture are not covered by the warranty.

The Warranty Relates to All Bought in The Us and Covers The Following Areas

- Sheet parts: 1 month from the date of purchase.
- Electrical parts: 1 month from the date of purchase.