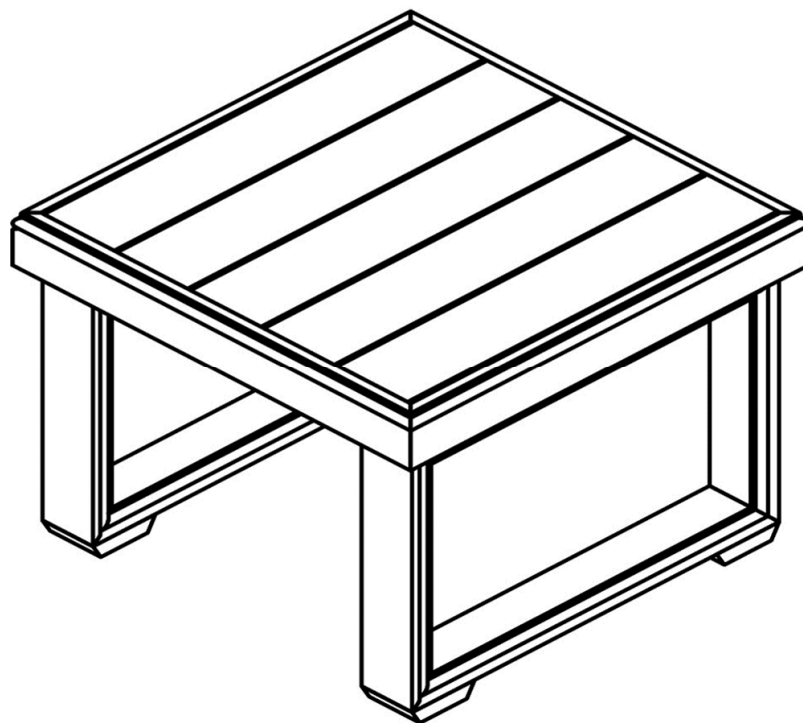


Assembly Instructions

Caution: You must read this before you proceed

Please look in the Leg Frame for Hardware packs

Table

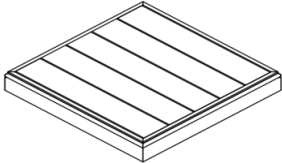
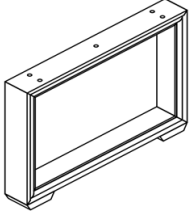


Caution: This Table is NOT a TOY.



Keep your child/children at bay during the assembly process.

Whenever moving/lifting the Table and to prevent damage to the Table, two adults are required to execute these actions.

Part List

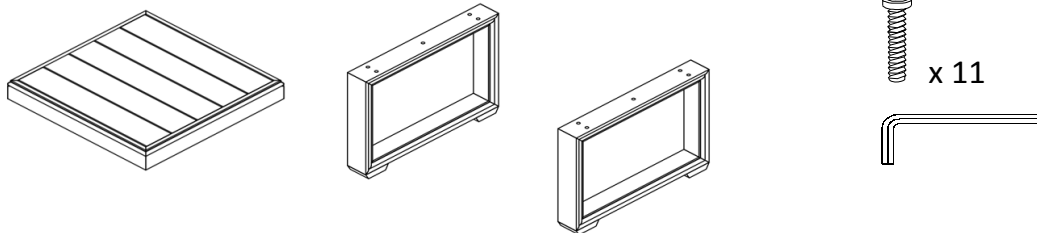
Label	Picture	Description	QTY
A		Table Top	1
B		Leg Frame	2

Hardware

Label	Picture	Description	QTY
①		Bolt (M6x40mm)	11
②		Allen Key	1

Assembly Preparation

Before Beginning Assembly:



- Read instructions, cover to cover-



- Have 2 adults on hand for assembly-



- Do not assemble on flooring or carpet-



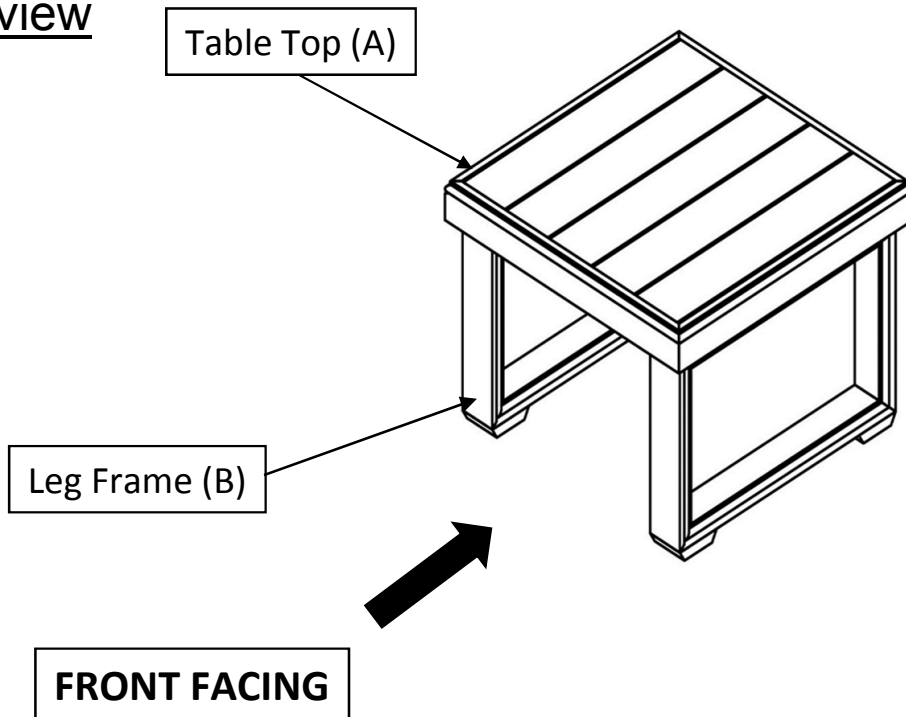
- Assemble on a clean non-marring surface (packing foam)-



- Save all packaging until finished-

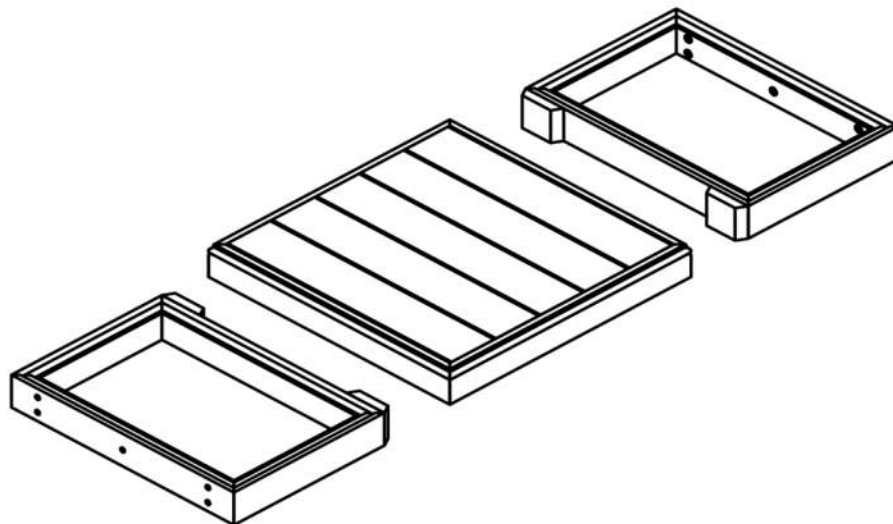
Assembly Steps

Overview



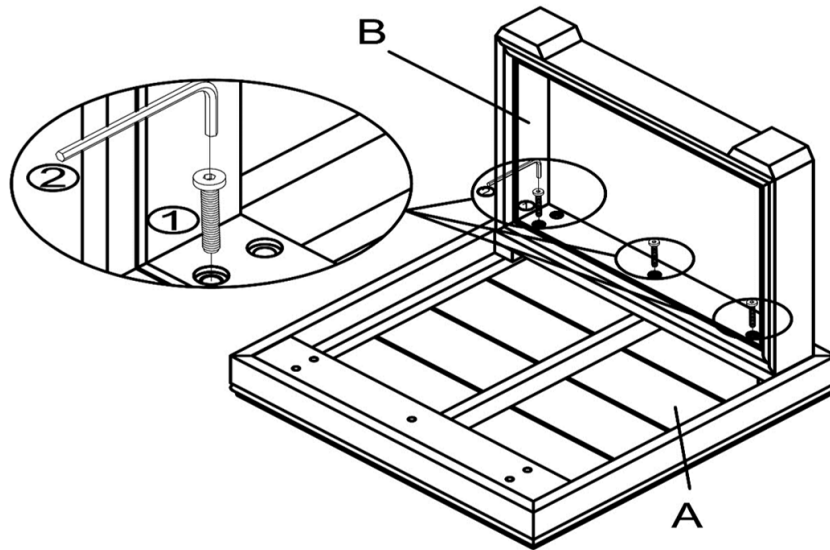
This Table has multiple parts and may require up to 10 minutes to assemble. To give you an overview of the Table parts, the above picture is to help you put the various parts into perspective. Please read through the instructions below to familiarise yourself with the parts and steps before assembly.

Step 1



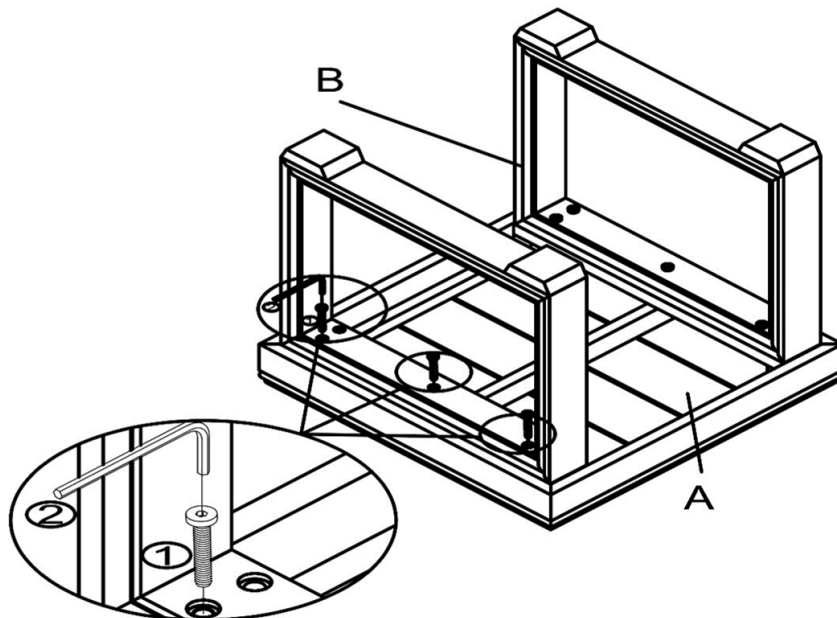
Unpack and place all parts on a clean, non-marring surface.

Step 2



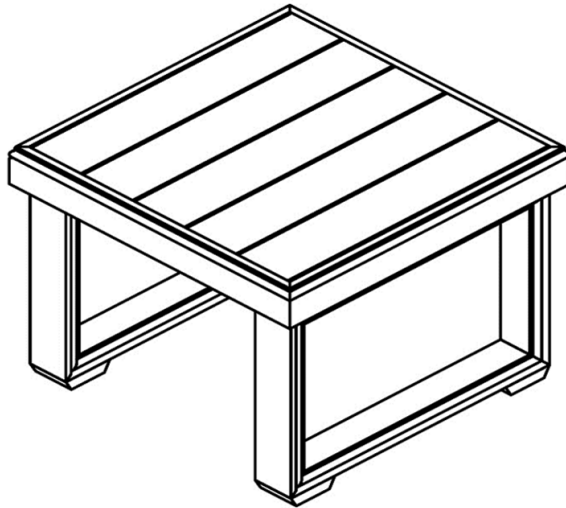
With assistance from your adult partner, place the Table Top(A) facedown on a clean, non-marring surface.
Attach the Leg Frame(B) to the Table Top(A) using Bolts(①) and the Allen Key(②).
Do not fully tighten the Bolts.

Step 3



Attach the remaining Leg Frame(B) to the Table Top(A) using Bolts(①) and the Allen Key(②).
Do not fully tighten the Bolts.

Step 4



Stand the Table up, with assistance from your adult partner.
Exert pressure floorwards, onto the Table with both your hands.
This pressure will help the Legs and Table Top reach full alignment status.
Check for wobbles on a LEVEL surface.
If no wobbles are found proceed to tighten the Bolts in a sequential manner,
until evenly secured.

When tightening the Bolts tighten sequentially.










Do not tighten any Bolt fully and then move on towards the next one.

If there are still wobbles after tightening, loosen the Bolts and execute the same above process.

Your Table is ready for use.

This Table can only be used on the flat, level surface.

Care & Maintenance

-  ● Do not put hot items directly on furniture surface
 -  ● Do not clean furniture with harsh cleansers or polish.
 -  ● To obtain the longest lifespan of your outdoor products, minimizing exposure to direct sunlight is recommended.
 -  ● Children should not climb or jump on the furniture.
 -  ● Do not write on furniture without a padded barrier to protect the surface.
 -  ● To obtain the longest lifespan of your outdoor products, avoid extended and lengthy exposure to rain, snow, and direct sunshine. Whenever possible cover the product and /or place under patio or awnings.
 -  ● Not for commercial use. For residential use only .
 -  ● Stains may be removed with mild soap solution and damp cloth.
-
-  ● Dust and pick-up spills using a clean, non-colored, lint-free cloth .