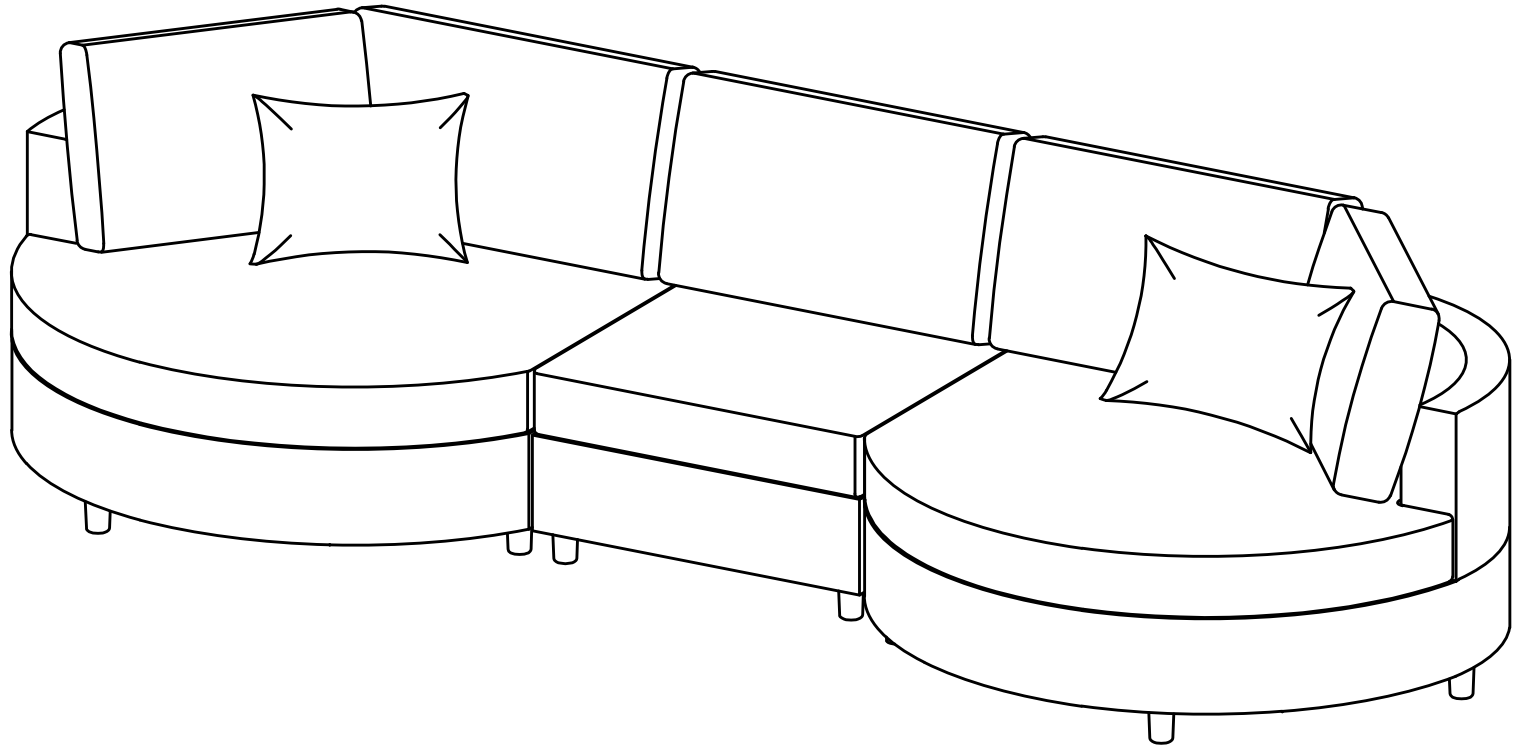
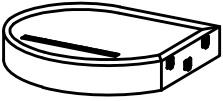


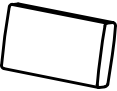











# ASSEMBLY INSTRUCTION



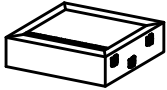




**COMPONENT LIST**

NO.	DRAWING	QTY	DESCRIPTION
(A)		1	Left Round Frame Body
(B)		2	Straight Backrest
(C)		1	Left Round Cushion
(D)		1	Long Back Cushion
(E)		2	Pillow
(M)		14	Round Legs
(N)		10	Bolt 5/16" x 65mm
(O)		10	Flat Washer Ø8 5/16"
(P)		1	Allen Key




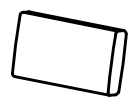






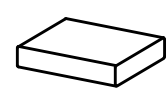
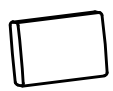




**COMPONENT LIST**

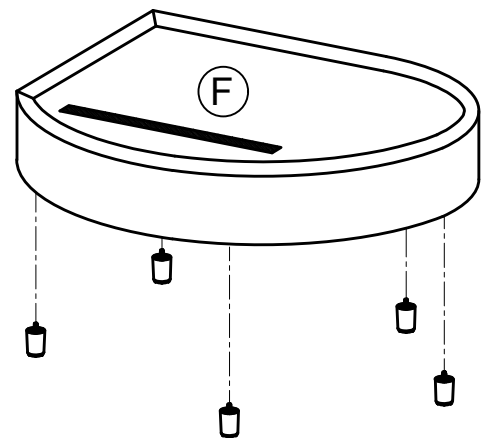
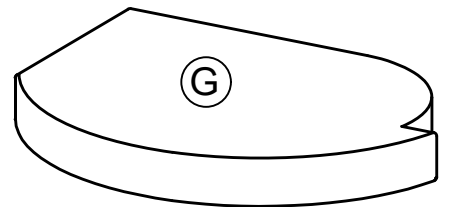
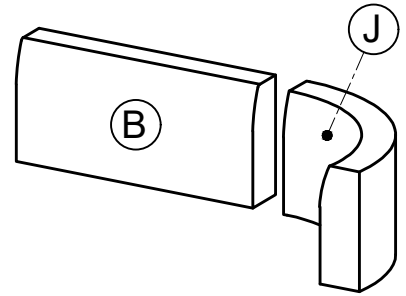
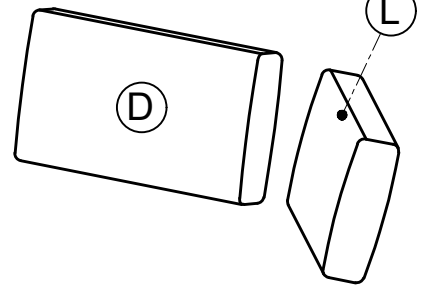
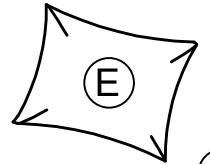
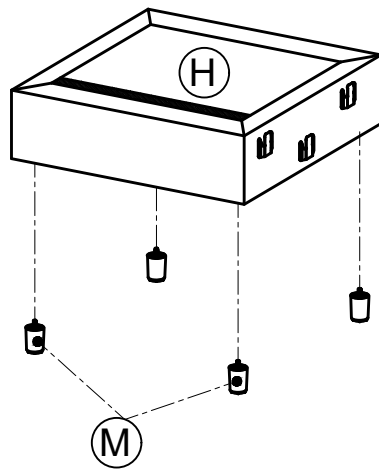
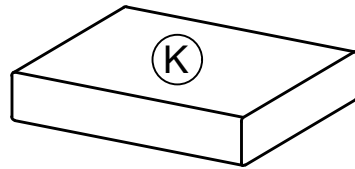
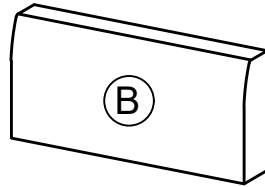
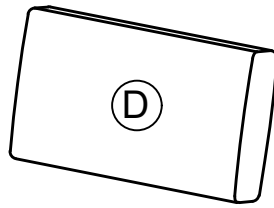
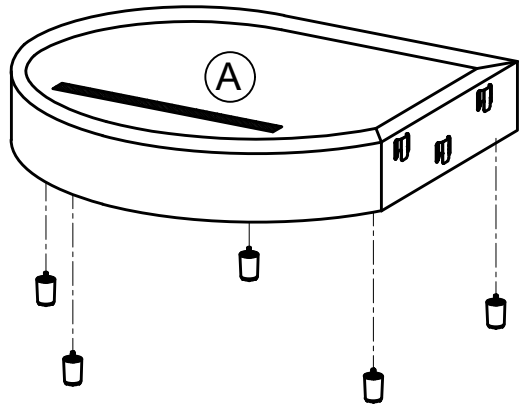
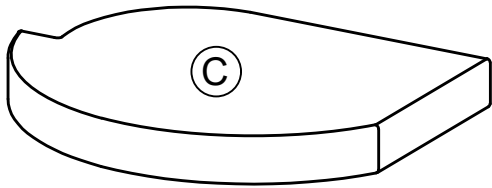
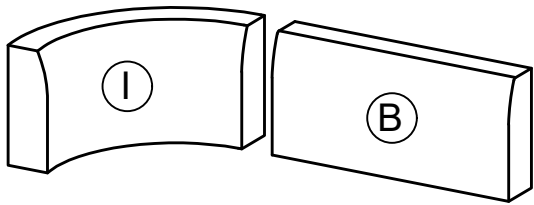
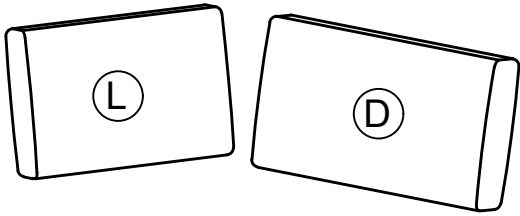
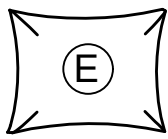
NO.	DRAWING	QTY	DESCRIPTION
(F)		1	Right Round Frame Body
(B)		1	Straight Backrest
(D)		2	Long Back Cushion
(G)		1	Right Round Cushion

## COMPONENT LIST

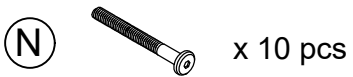
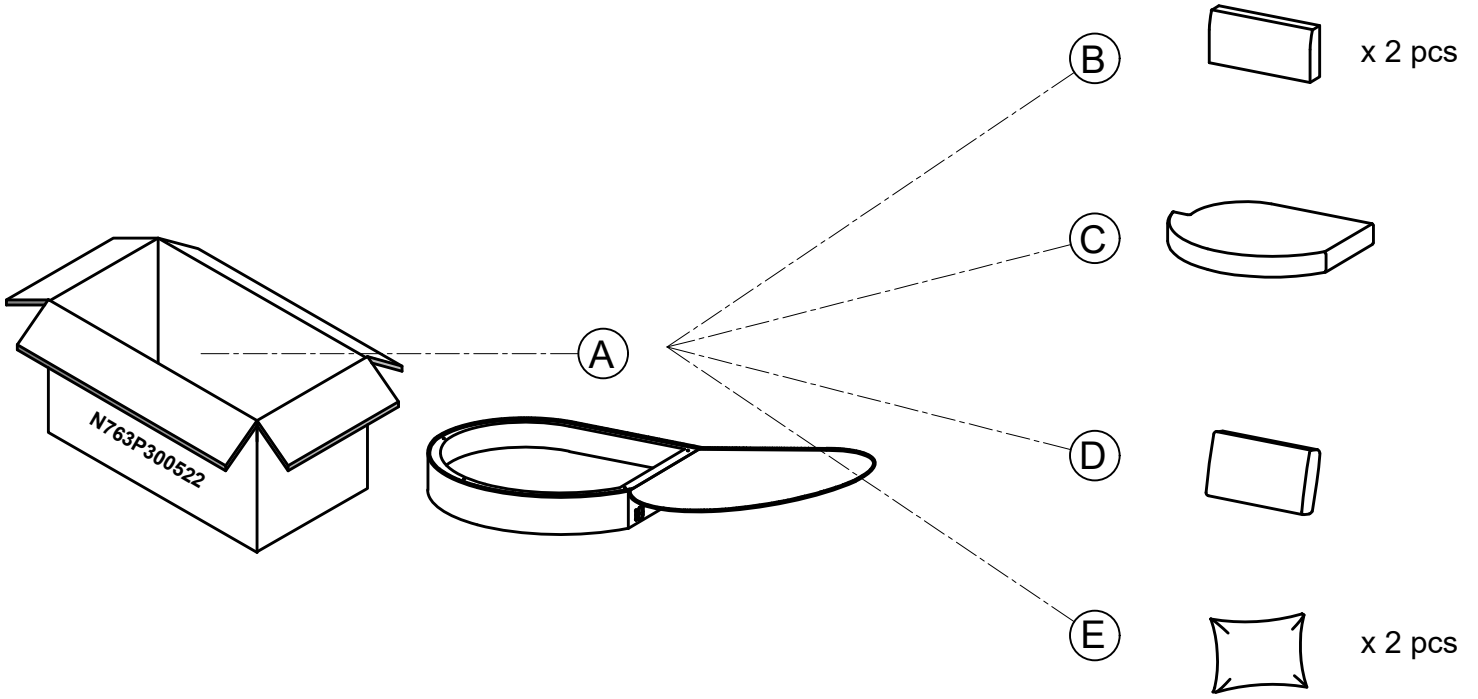
NO.	DRAWING	QTY	DESCRIPTION
(H)		1	Between Frame Body
(I)		1	Left Curved Backrest
(J)		1	Right Curved Backrest
(K)		1	Between Cushion
(L)		2	Short Back Cushion

## PARTS LIST

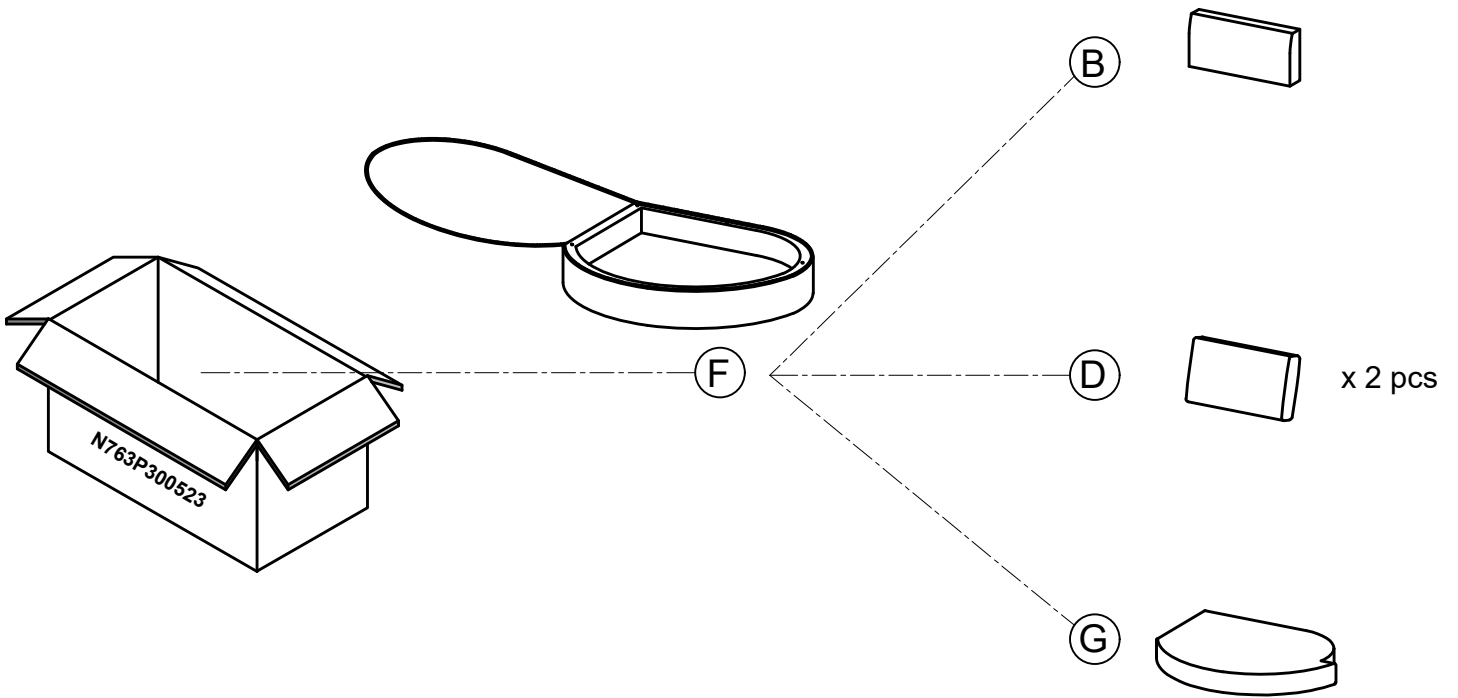
(A) 	(B) 	(C) 	(D) 	(E) 	(F) 
Left Round Frame Body x 1 pc	Straight Backrest x 3 pcs	Left Round Cushion x 1 pc	Long Back Cushion x 3 pcs	Pillow x 2 pcs	Right Round Frame Body x 1 pc
(G) 	(H) 	(I) 	(J) 	(K) 	(L) 
Right Round Cushion x 1 pc	Between Frame Body x 1 pc	Left Curved Backrest x 1 pc	Right Curved Backrest x 1 pc	Between Cushion x 1 pc	Short Back Cushion x 2 pcs
(M) 	(N) 	(O) 	(P) 		
Round Legs x 14 pcs	Bolt 5/16" x 65mm x 10 pcs	Flat Washer Ø8 5/16" x 10 pcs	Allen Key x 1 pc		



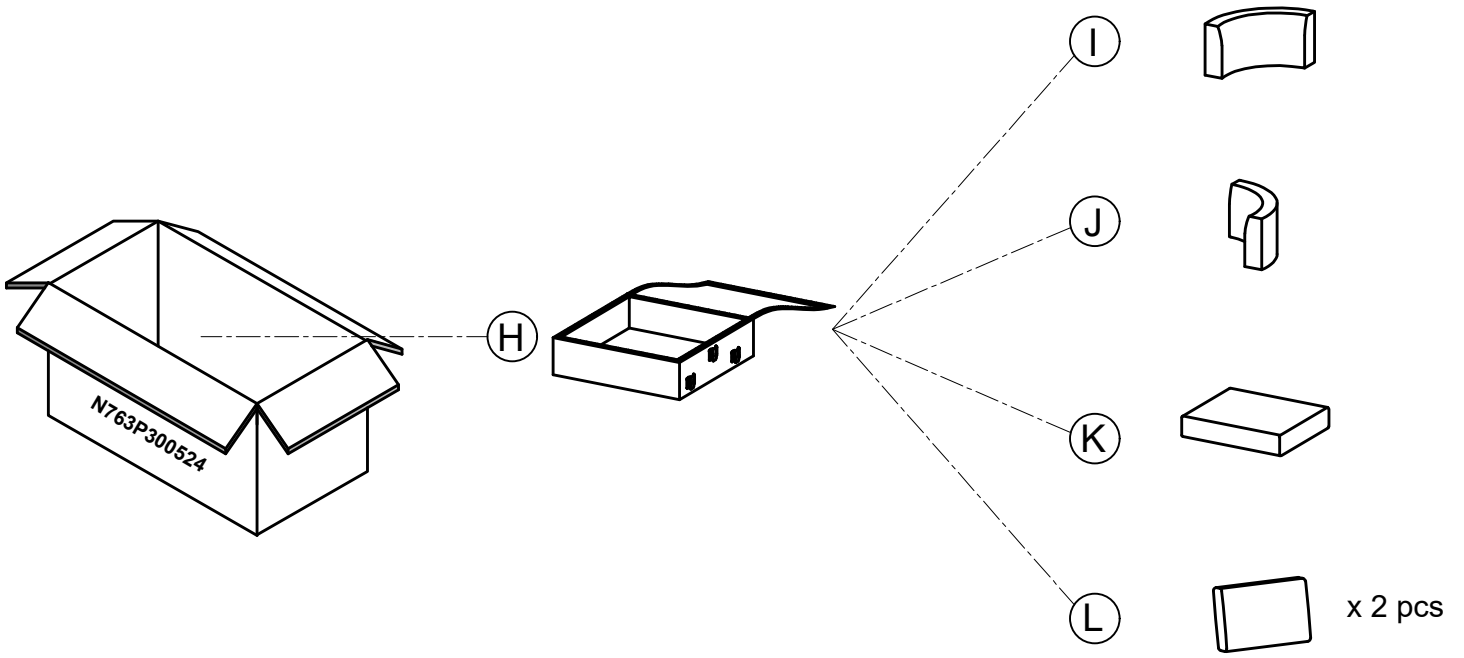
\* Take out the (A) (B) (C) (D) (E) (M) (N) (O) (P)



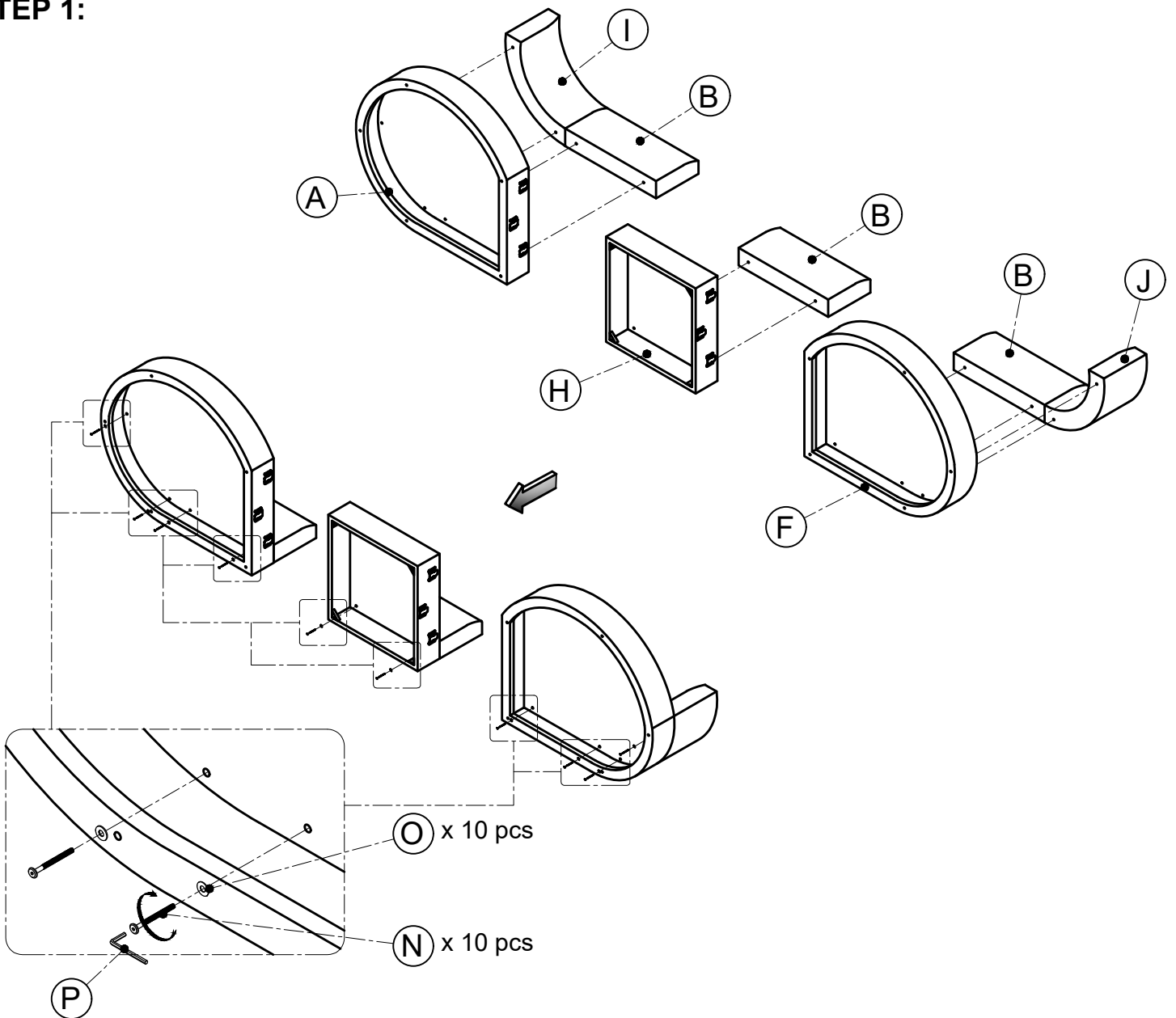
\* Take out the (F) (B) (D) (G)



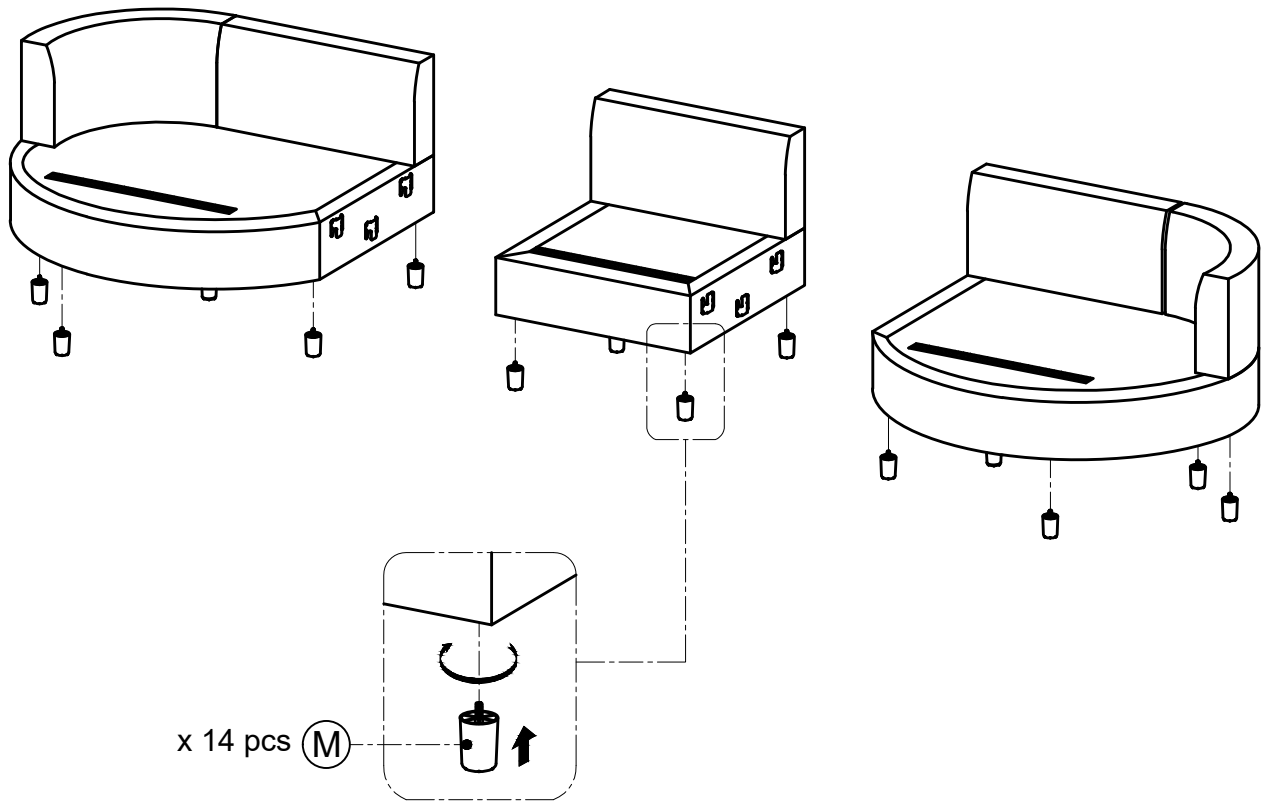
\* Take out the (H) (I) (J) (K) (L)



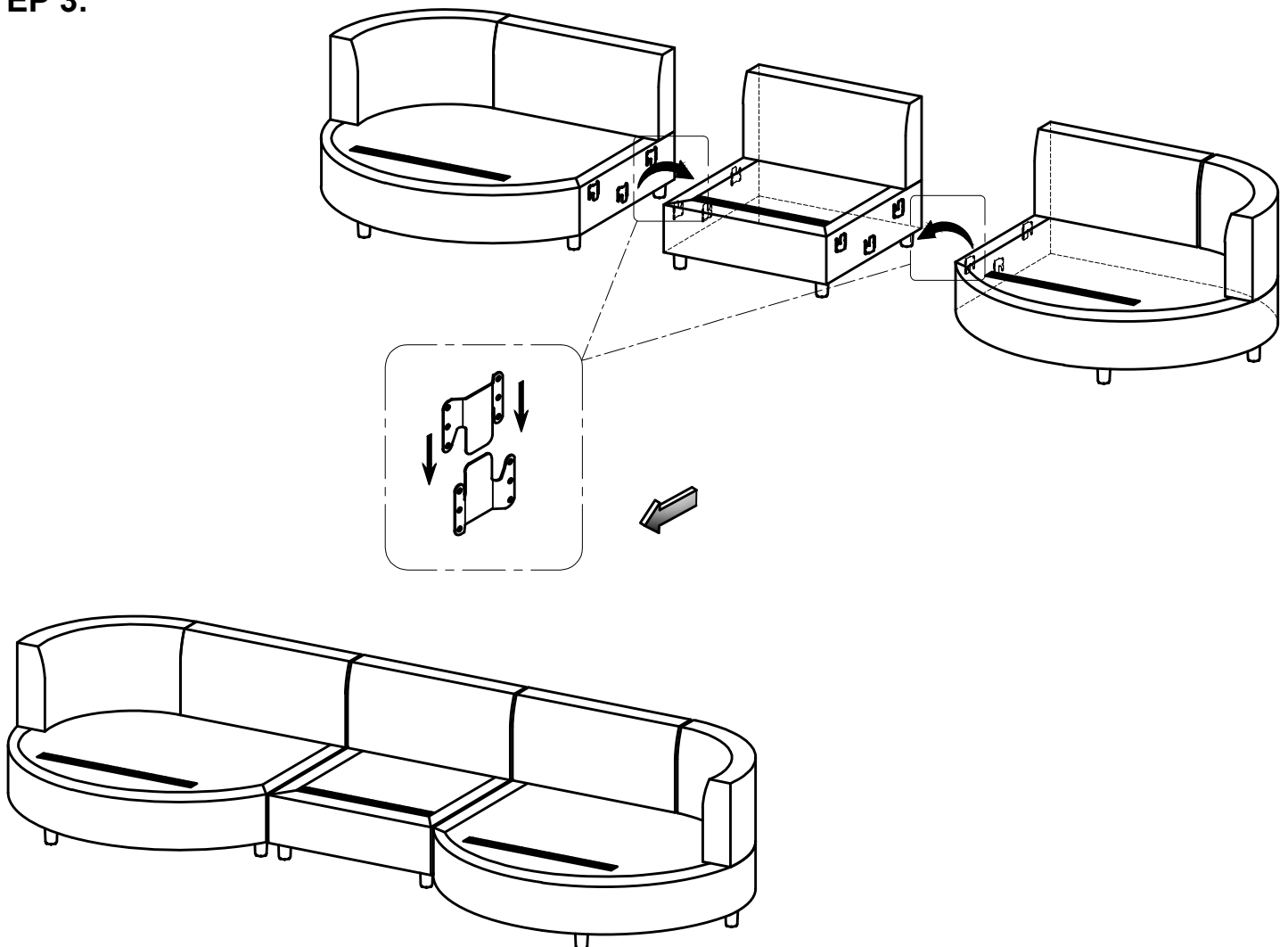
**STEP 1:**



**STEP 2:**



**STEP 3:**



## Helpful Hints

- Move your new furniture carefully, with two people lifting and carrying the unit to its new location.
- Your furniture can be disassembled and reassembled to move.
- Clean the product with a soft damp cloth. DO NOT use harsh chemicals or abrasive cleaners.

## COMPLETED

